

# Ultimate Sliding French Door G2

Unit Features.....	1
Panel Configurations.....	3
Standard Unit Measurements.....	4
Standard Unit Measurements: In-Sash Transom.....	5
Standard Unit Measurements: Ultimate Direct Glaze Rectangle/Transom.....	6
Certified Sizes and Ratings.....	7
Minimum and Maximum Guidelines: Doors and In-Sash Transoms.....	8
Minimum and Maximum Guidelines: Direct Glaze Transom.....	9
Net Clear Opening: Standard.....	10
Measurement Conversions.....	11
Section Details: Hardware Options.....	12
Section Details: Operating (1 3/4" Panels, Standard: Ogee, Interior Glazing Profile).....	13
Section Details: Operating (1 3/4" Panels, Optional: Square Interior Glazing Profile).....	14
Section Details: Operating (1 3/4" Panels, Horizontal).....	15
Section Details: Stationary (1 3/4" Panels).....	17
Section Details: Transoms (1 3/4" Panels).....	18
Section Details: Direct Glaze Transoms (1 3/4" Panels).....	19
Section Details: Transom Mull (1 3/4" Panels).....	20
Section Details: Operating (2 1/4" Panels, Standard: Ogee Interior Glazing Profile).....	21
Section Details: Operating (2 1/4" Panels, Optional: Square Interior Glazing Profile).....	22
Section Details: Operating (2 1/4" Panels, Horizontal).....	23
Section Details: Stationary (2 1/4" Panels).....	25
Section Details: Transoms (2 1/4" Panels).....	26
Section Details: Direct Glaze Transoms (2 1/4" Panels).....	27
Section Details: Transom Mull (2 1/4" Panels).....	28
IZ3 Section Details: Operating (2 1/4" Panels, Standard: Ogee Interior Glazing Profile).....	29
IZ3 Section Details: Operating (2 1/4" Panels, Optional: Square Interior Glazing Profile).....	30
IZ3 Section Details: Operating (2 1/4" Panels, Horizontal).....	31
IZ3 Section Details: Stationary (2 1/4" Panels).....	33
IZ3 Section Details: Transoms (2 1/4" Panels).....	34
IZ3 Section Details: Direct Glaze Transoms (2 1/4" Panels).....	35
Section Details: Operating Tripane (2 1/4" Panels, Standard: Ogee Interior Glazing Profile).....	36
Section Details: Operating Tripane (2 1/4" Panels, Optional: Square Interior Glazing Profile).....	37
Section Details: Operating Tripane (2 1/4" Panels, Horizontal).....	38
Section Details: Stationary Tripane (2 1/4" Panels).....	40
Section Details: Transoms Tripane (2 1/4" Panels).....	41
Section Details: Direct Glaze Transoms (2 1/4" Panels).....	42
Section Details: Transom Tripane Mull (2 1/4" Panels).....	43



## Unit Features

### Abbreviations:

- USFD G2: Ultimate Sliding French Door G2 (1 3/4" Panels)
- USFD2.25 G2: Ultimate Sliding French Door 2 1/4" G2 (2 1/4" Panels)
- USFD2.25TR G2: Ultimate Sliding French Door Transom G2
- USFD2.25 G2 IZ3: Ultimate Sliding French Door G2 IZ3 (2 1/4" Panels)

### Wood Species

- Standard: Pine
- Optional: Mixed-Grain Douglas Fir, Vertical Grain Douglas Fir, Honduran Mahogany, Cherry, Oak

### Frame

- Frame thickness: 1 1/16" (27)
- Jamb Depth:
  - On 1 3/4" panels, 4 9/16" (116)
  - On 2 1/4" panels, 6 9/16" (167)
- Fiberglass reinforced pultruded sill with water shed and weep system
  - Color: Ebony
- Polycarbonate roller track

### Panel

- Panel thickness: 1 3/4" (44) or 2 1/4" (57)
- Unit Assembly:
  - Top rail width: 4 3/4" (121)
  - Bottom rail height: 8 1/8" (206)
    - Optional bottom rail height: 4 3/4" (121)
  - All wood species use LVL cores.
  - Interior glazing profile: Ogee (with Simulated Putty exterior glazing profile)
    - Optional interior glazing profile: Square (with Simulated Putty exterior glazing profile)

### Hardware

- Multi-point lock with two engagement points is standard (keyed)
- Inactive panel on an OXXO - manual head bolt is standard
- Rollers: two adjustable stainless steel roller assemblies per operating panel with two ball bearing wheels per assembly
  - Maximum vertical adjustment: 5/16" (8).

### Handle Sets

- Harp G2 finish options
  - Powder coat finishes: Satin Taupe, White, Dark Bronze, Matte Black
  - Metal finishes: Satin Chrome, Polished Chrome, Antique Brass, Oil Rubbed Bronze
  - PVD finishes: Brass PVD, Oil Rubbed Bronze PVD, Satin Nickel PVD
  - Keyed (keyed alike available) or Non-keyed
- Vertical Pull finish options
  - Powder coat finishes: Dark Bronze, Matte Black
  - PVD finishes: Oil Rubbed Bronze PVD, Satin Nickel PVD
  - Keyed (keyed alike available) or Non-keyed
- Exterior Flush Pull finish options
  - Powder coat finishes: Dark Bronze, Matte Black
  - PVD finishes: Oil Rubbed Bronze PVD, Satin Nickel PVD
  - Non-Keyed
- Gallery Collection Hardware
  - Bouvet
  - Rocky Mountain Hardware
  - Reference [marvin.com](http://marvin.com).

## Unit Features

### Weather Strip:

- Interlock weather strip at meeting stiles
- Side jamb to have two sets of bulb weather strip maintaining contact with door panels
- Continuous slip coat weather strip along sill, head jamb, and meeting stiles
  - Color: black

### Glass and Glazing:

- Door panels: tempered insulating glass, hermetically sealed
- Glazing seal: silicone beading, exterior
- Standard glass: Insulating Dual Pane Low E2 with Argon or Air
- Gas Fill: Air or Argon
- Glass Thickness
  - For 1 3/4" panels, Dual-pane insulating glass thickness: 3/4"
  - For 2 1/4" panels, Dual-pane insulating glass thickness: 15/16"
  - For 2 1/4" panels, Triple pane insulating glass thickness: 1 1/4"
- Insulating Glass Coatings:
  - Low E1
  - Low E2
  - Low E3
  - Low ERS
  - Low ELR
- Bronze, Green, Gray, Reflective Bronze, Obscure, Laminated.
- Decorative glass options: Sandblasted, Glue Chip, Rain, Frost, 1/2 English Reed
- Insulating glass will be altitude adjusted with capillary tubes for higher elevations
- Argon gas is not available for elevations that require capillary tubes

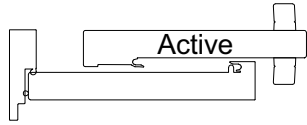
### Screens:

- Optional Ultimate Sliding Screen: extruded aluminum top hung has a roller bar and integral pull
  - Screen surround will match exterior frame clad color
- Screen mesh: Marvin Bright View™
  - Optional material: Charcoal Aluminum Wire, Black Aluminum Wire, Bright Aluminum Wire, Bright Bronze Wire
- Screens adjustable to 1/4" (6)

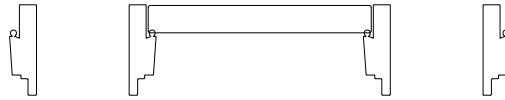
### Lock Status Sensor (Optional):

- Refer to **Lock Status Sensor Installation Instructions** for requirements.
- To achieve a closed and locked status, the Lock Status Sensor requires that the door must be closed to depress the anti-slam mechanism so that the door can be manually locked. It allows easy integration with home automation systems using a wireless connection.
- Lock Status Sensor are available wireless only.
  - Requires purchase of secondary transmitter for operation. Marvin will prep for this option. Wired connection not available.
- Wireless Lock Status Sensor is located within the operating panel.
- Sensor Location will always be integrated into the locking hardware system.

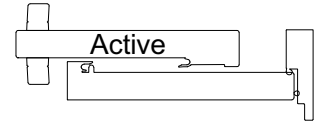
**Panel Configurations**



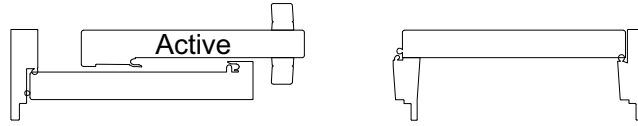
OX - Jamb



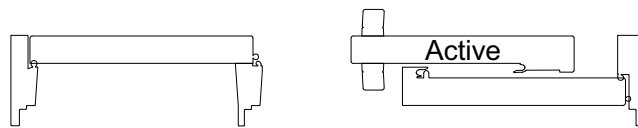
O - Stationary



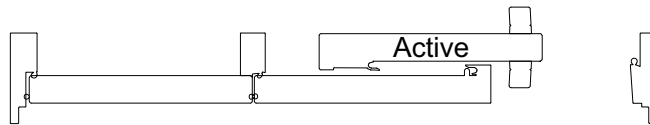
XO - Jamb



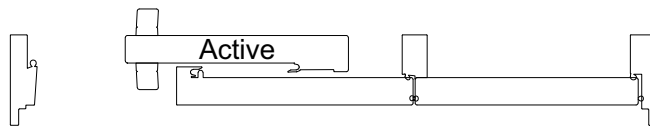
OXO - LH



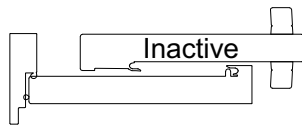
OXO - RH



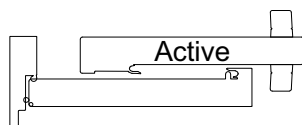
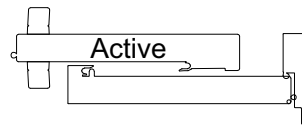
OOX



XOO



OXXO - RH



OXXO - LH

Standard Unit Measurements

Width

Unit Type	CN	Masonry Opening		Rough Opening		Frame Size		Panel OM		Daylight Std Opening		Standard Glass Size	
		ft - in	mm	ft - in	mm	ft - in	mm	ft-in	mm	ft - in	mm	in	mm
1 Panel	2-6	2-10 3/8	(873)	2-10 7/8	(886)	2-9 7/8	(860)	2-7 1/2	(800)	1-10 1/32	(559)	1-11 17/64	(591)
	3-0	3-4 3/8	(1025)	3-4 7/8	(1038)	3-3 7/8	(1013)	3-1 1/2	(952)	2-4 1/32	(712)	2-5 17/64	(744)
	4-0	4-4 3/8	(1330)	4-4 7/8	(1343)	4-3 7/8	(1317)	4-1 1/2	(1257)	3-4 1/32	(1017)	3-5 17/64	(1048)
	5-0*	5-4 3/8	(1635)	5-4 7/8	(1648)	5-3 7/8	(1622)	5-1 1/2	(1562)	4-4 1/32	(1321)	4-5 17/64	(1353)
	2-6R**	2-9 9/16	(852)	2-10 1/16	(865)	2-9 1/16	(840)	2-6 11/16	(779)	1-9 7/32	(539)	1-10 15/32	(571)
	3-0R**	3-3 9/16	(1005)	3-4 1/16	(1017)	3-3 1/16	(992)	3-0 11/16	(932)	2-3 7/32	(691)	2-4 15/32	(723)
	4-0R**	4-3 9/16	(1310)	4-4 1/16	(1322)	4-3 1/16	(1297)	4-0 11/16	(1236)	3-3 7/32	(996)	3-4 15/32	(1028)
2 Panel	5-0	5-1 1/8	(1553)	5-1 5/8	(1565)	5-0 5/8	(1540)	2-7 31/64	(800)	1-10 1/64	(559)	1-11 17/64	(591)
	6-0	6-1 1/8	(1857)	6-1 5/8	(1870)	6-0 5/8	(1845)	3-1 31/64	(952)	2-4 1/64	(712)	2-5 17/64	(744)
	8-0	8-1 1/8	(2467)	8-1 5/8	(2480)	8-0 5/8	(2454)	4-1 31/64	(1257)	3-4 1/64	(1017)	3-5 17/64	(1048)
	10-0*	10-1 1/8	(3077)	10-1 5/8	(3089)	10-0 5/8	(3064)	5-1 31/64	(1562)	4-4 1/64	(1321)	4-5 17/64	(1353)
	5-0R**	4-11 1/2	(1511)	5-0	(1524)	4-11	(1499)	2-6 43/64	(779)	1-9 13/64	(539)	1-10 29/64	(570)
	6-0R**	5-11 1/2	(1816)	6-0	(1829)	5-11	(1803)	3-0 43/64	(932)	2-3 13/64	(691)	2-4 29/64	(723)
	8-0R**	7-11 1/2	(2426)	8-0	(2438)	7-11	(2413)	4-0 43/64	(1236)	3-3 13/64	(996)	3-4 29/64	(1028)
3 Panel	7-6	7-8 47/64	(2356)	7-9 15/64	(2368)	7-8 15/64	(2343)	2-7 31/64	(800)	1-10 1/64	(559)	1-11 17/64	(591)
	9-0	9-2 47/64	(2813)	9-3 15/64	(2826)	9-2 15/64	(2800)	3-1 31/64	(952)	2-4 1/64	(712)	2-5 17/64	(744)
	12-0	12-2 47/64	(3727)	12-3 15/64	(3740)	12-2 15/64	(3715)	4-1 31/64	(1257)	3-4 1/64	(1017)	3-5 17/64	(1048)
	15-0*	15-2 47/64	(4642)	15-3 15/64	(4654)	15-2 15/64	(4629)	5-1 31/64	(1562)	4-4 1/64	(1321)	4-5 17/64	(1353)
	7-6R**	7-6 19/64	(2294)	7-6 51/64	(2306)	7-5 51/64	(2281)	2-6 43/64	(779)	1-9 13/64	(539)	1-10 29/64	(570)
	9-0R**	9-0 19/64	(2751)	9-0 51/64	(2764)	8-11 51/64	(2738)	3-0 43/64	(932)	2-3 13/64	(691)	2-4 29/64	(723)
	12-0R**	12-0 19/64	(3665)	12-0 51/64	(3678)	11-11 51/64	(3653)	4-0 43/64	(1236)	3-3 13/64	(996)	3-4 29/64	(1028)
4 Panel	10-0	9-11 1/2	(3035)	10-0	(3048)	9-11	(3023)	2-7 31/64	(800)	1-10 1/64	(559)	1-11 17/64	(591)
	12-0	11-11 1/2	(3645)	12-0	(3658)	11-11	(3632)	3-1 31/64	(952)	2-4 1/64	(712)	2-5 17/64	(744)
	16-0	15-11 1/2	(4864)	16-0	(4877)	15-11	(4851)	4-1 31/64	(1257)	3-4 1/64	(1017)	3-5 17/64	(1048)

Height

Unit Type	CN	Masonry Opening		Rough Opening		Frame Size		Panel OM	
		ft - in	mm	ft - in	mm	ft - in	mm	ft-in	mm
All Configurations	6-6R	6-7 3/4	(2026)	6-8	(2032)	6-7 1/2	(2019)	6-4 39/64	(1946)
	6-8	6-10 1/4	(2089)	6-10 1/2	(2096)	6-10	(2083)	6-7 7/64	(2009)
	7-0	7-2 1/4	(2191)	7-2 1/2	(2197)	7-2	(2184)	6-11 7/64	(2111)
	8-0	8-2 1/4	(2496)	8-2 1/2	(2502)	8-2	(2489)	7-11 7/64	(2416)
	9-0*	9-2 1/4	(2800)	9-2 1/2	(2807)	9-2	(2794)	8-11 7/64	(2721)
	10-0*	10-2 1/4	(3105)	10-2 1/2	(3112)	10-2	(3099)	9-11 7/64	(3025)

Unit Type	CN	Daylight Opening Short Bottom Rail		Daylight Opening Tall Bottom Rail		Short Bottom Rail Glass Size		Tall Bottom Rail Glass Size	
		ft - in	mm	in	mm	ft - in	mm	in	mm
All Configurations	6-6R	5-7 7/64	(1705)	5-3 47/64	(1619)	5-8 23/64	(1736)	5-4 63/64	(1651)
	6-8	5-9 39/64	(1768)	5-6 15/64	(1682)	5-10 55/64	(1800)	5-7 31/64	(1714)
	7-0	6-1 39/64	(1870)	5-10 15/64	(1784)	6-2 55/64	(1901)	5-11 31/64	(1816)
	8-0	7-1 39/64	(2175)	6-10 15/64	(2089)	7-2 55/64	(2206)	6-11 31/64	(2121)
	9-0*	8-1 39/64	(2479)	7-10 15/64	(2394)	8-2 55/64	(2511)	7-11 31/64	(2425)
	10-0*	9-1 39/64	(2784)	8-10 15/64	(2698)	9-2 55/64	(2816)	8-11 31/64	(2730)

\* Denotes 2 1/4" panels only

\*\* Denotes Retro widths with 1 3/4" panels only. Available in CN6-8 height doors.

Standard Unit Measurements: In-Sash Transom

Standard In-Sash Transom Unit Measurements													
Width													
Unit Type	Call Number	Masonry Opening		Rough Opening		Frame Size		Sash OM		Daylight Opening		Glass Size	
		ft - in	mm	ft - in	mm	ft - in	mm	ft-in	mm	ft - in	mm	ft-in	mm
Above O	2-6	2-10 3/8	(873)	2-10 7/8	(886)	2-9 7/8	(860)	2-7 1/2	(800)	1-10 1/64	(559)	1-11 17/64	(591)
	3-0	3-4 3/8	(1025)	3-4 7/8	(1038)	3-3 7/8	(1013)	3-1 1/2	(952)	2-4 1/64	(712)	2-5 17/64	(744)
	4-0	4-4 3/8	(1330)	4-4 7/8	(1343)	4-3 7/8	(1317)	4-1 1/2	(1257)	3-4 1/64	(1017)	3-5 17/64	(1048)
	5-0	5-4 3/8	(1635)	5-4 7/8	(1648)	5-3 7/8	(1622)	5-1 1/2	(1562)	4-4 1/64	(1321)	4-5 17/64	(1353)
Above OX and Above XO	5-0	5-1 1/8	(1553)	5-1 5/8	(1565)	5-0 5/8	(1540)	4-10 1/4	(1480)	4-0 25/32	(1239)	4-2 1/32	(1271)
	6-0	6-1 1/8	(1857)	6-1 5/8	(1870)	6-0 5/8	(1845)	5-10 1/4	(1784)	5-0 25/32	(1544)	5-2 1/32	(1576)
	7-0	8-1 1/8	(2467)	8-1 5/8	(2480)	8-0 5/8	(2454)	7-10 1/4	(2394)	7-0 25/32	(2153)	7-2 1/32	(2185)
Above XOO, Above OOX and Above OXO	7-6	7-8 47/64	(2356)	7-9 15/64	(2368)	7-8 15/64	(2343)	4-10 1/4	(1480)	4-0 25/32	(1239)	4-2 1/32	(1271)
	9-0	9-2 47/64	(2813)	9-3 15/64	(2826)	9-2 15/64	(2800)	5-10 1/4	(1784)	5-0 25/32	(1544)	5-2 1/32	(1576)
	12-0	12-2 47/64	(3727)	12-3 15/64	(3740)	12-2 15/64	(3715)	7-10 1/4	(2394)	7-0 25/32	(2153)	7-2 1/32	(2185)
Above OXXO	10-0	9-11 1/2	(3035)	10-0	(3048)	9-11	(3023)	4-10 1/4	(1480)	4-0 25/32	(1239)	4-2 1/32	(1271)
	12-0	11-11 1/2	(3645)	12-0	(3658)	11-11	(3632)	5-10 1/4	(1784)	5-0 25/32	(1544)	5-2 1/32	(1576)
	16-0	15-11 1/2	(4864)	16-0	(4877)	15-11	(4851)	7-10 1/4	(2394)	7-0 25/32	(2153)	7-2 1/32	(2185)
Height													
Unit Type	Call Number	Masonry Opening		Rough Opening		Frame Size		Sash OM		Daylight Opening		Glass Size	
		ft - in	mm	ft - in	mm	ft - in	mm	ft-in	mm	ft - in	mm	ft - in	mm
All Configurations	1-6	1-6 1/4	(464)	1-6 1/2	(470)	1-6	(457)	1-3 5/8	(397)	1-0 13/64	(310)	1-1 29/64	(342)
	2-0	2-0 1/4	(616)	2-0 1/2	(622)	2-0	(610)	1-9 5/8	(549)	1-6 13/64	(462)	1-7 29/64	(494)
	2-6	2-6 1/4	(768)	2-6 1/2	(775)	2-6	(762)	2-3 5/8	(702)	2-0 13/64	(615)	2-1 29/64	(647)

NOTE: In-sash transoms wanting to match DLO of 2-wide units will use simulated stiles and astragal.  
 Transoms use 1 3/4" panels, unless Transom contains tripane glass.

Standard Unit Measurements: Ultimate Direct Glaze Rectangle/Transom

Ultimate Sliding French Door Ultimate Direct Glaze											
Transom Width											
Unit Type	Call Number	Masonry Opening		Rough Opening		Frame Size		Daylight Opening		Glass Size	
		ft-in	mm	ft-in	mm	ft-in	mm	ft-in	mm	in	mm
1 Lite Direct Glaze Transom Sliding French Door	2-6	2-7 15/16	(811)	2-8 7/16	(824)	2-7 7/16	(799)	2-3 1/2	(699)	28 7/8	(733)
	3-0	3-1 15/16	(964)	3-2 7/16	(976)	3-1 7/16	(951)	2-9 1/2	(851)	34 7/8	(886)
	4-0	4-1 15/16	(1268)	4-2 7/16	(1281)	4-1 7/16	(1256)	3-9 1/2	(1156)	46 7/8	(1191)
	5-0	5-1 1/8	(1553)	5-1 5/8	(1565)	5-0 5/8	(1540)	4-8 11/16	(1440)	58 1/16	(1475)
	6-0	6-1 1/8	(1857)	6-1 5/8	(1870)	6-0 5/8	(1845)	5-8 11/16	(1745)	70 1/16	(1780)
	8-0	8-1 1/8	(2467)	8-1 5/8	(2480)	8-0 5/8	(2454)	7-8 11/16	(2354)	94 1/16	(2389)
Height											
Unit Type	Call Number	Masonry Opening		Rough Opening		Frame Size		Daylight Opening		Glass Size	
		ft-in	mm	ft-in	mm	ft-in	mm	ft-in	mm	in	mm
All Configurations	1-0	1-0 1/4	(311)	1-0 1/2	(318)	1-0	(305)	0-8 1/16	(205)	9 7/16	(240)
	1-2	1-2 1/4	(362)	1-2 1/2	(368)	1-2	(356)	0-10 1/16	(256)	11 7/16	(290)
	1-6	1-6 1/4	(464)	1-6 1/2	(470)	1-6	(457)	1-2 1/16	(357)	15 7/16	(392)



**Certified Sizes and Ratings**

**Standard Product**

Product	Air Tested to psf	Water Tested to psf	Structural Tested to psf	Certification Rating	Design Pressure (DP)	Overall Width		Overall Height		Applicable Configurations
						in	mm	in	mm	
Ultimate Sliding French Door G2 12080 OXO	1.57	6	60	LC-PG40	40	146 15/64	(3714)	98	(2489)	OOX, XOO
Ultimate Sliding French Door G2 12080 OXO	1.57	6	60	LC-PG40	40	146 15/64	(3714)	98	(2489)	OXO
Ultimate Sliding French Door G2 16080 OXXO	1.57	6	60	LC-PG40	40	191	(4851)	98	(2489)	OXXO
Ultimate Sliding French Door G2 8080 OX	1.57	6	50	LC-PG50	50	96 5/8	(2454)	98	(2489)	OX, XO
Ultimate Sliding French Door 2.25 G2 10080 OX	1.57	7.5	75	LC-PG50	40	120 5/8	(3064)	98	(2489)	OX, XO
Ultimate Sliding French Door 2.25 G2 100100 OX	1.57	6	60	LC-PG40	40	120 5/8	(3064)	122	(3099)	OX, XO
Ultimate Sliding French Door 2.25 G2 150100 OOX	1.57	6	60	LC-PG40	40	182 15/64	(4629)	122	(3099)	OOX, XOO
Ultimate Sliding French Door 2.25 G2 160100 OXXO	1.57	6	60	LC-PG40	40	191	(4851)	122	(3099)	OXXO
Ultimate Sliding French Door 2.25 G2 120100 OXO	1.57	6	60	LC-PG40	40	146 15/64	(3714)	122	(3099)	OXO
Ultimate Sliding French Door 2.25 G2 150100 OXO	1.57	6	45	LC-PG30	30	182 15/64	(4629)	122	(3099)	OXO

**IZ3 Product**

Product	Air Tested to psf	Water Tested to psf	Structural Tested to psf	Certification Rating	Design Pressure (DP)	Overall Width		Overall Height		Applicable Configurations
						in	mm	in	mm	
Ultimate Sliding French Door 2.25 G2 IZ3 10080 OX	1.57	9.75	97.5	LC-PG65	65	120 5/8	(3064)	98	(2489)	OX, XO
Ultimate Sliding French Door 2.25 G2 IZ3 15080 OXO	1.57	7.5	75	LC-PG50	50	182 15/64	(4629)	98	(2489)	OXO, XO, XO
Ultimate Sliding French Door 2.25 G2 IZ3 16080 OXXO	1.57	7.5	75/97.5	LC-PG50	+50/-65	191	(4851)	98	(2489)	OXXO, XOO, OOX, OXO, XO, OX
Ultimate Sliding French Door 2.25 G2 IZ3 160100 OXXO	1.57	7.5	75	LC-PG50	50	191	(4851)	122	(3099)	OXXO, XOO, OOX, OXO, XO, OX

**Minimum and Maximum Guidelines: Doors and In-Sash Transoms**

Ultimate Sliding French Doors G2 Minimums and Maximums									
Unit Type		Min Frame Size				Max Frame Size			
		Width		Height		Width		Height	
		in	mm	in	mm	in	mm	in	mm
Stationary	1 3/4" Panels	19 27/32	(504)	23 7/8	(606)	51 7/8	(1318)	98	(2489)
Stationary	2 1/4" Panels	19 27/32	(504)	23 7/8	(606)	63 7/8	(1622)	122	(3099)
2 Panel	1 3/4" Panels	59	(1499)	70 1/2	(1791)	96 5/8	(2454)	98	(2489)
2 Panel	1 3/4" Panels Extended Size, Not Certified	59	(1499)	70 1/2	(1791)	72 5/8	(1845)	110	(2794)
2 Panel	2 1/4" Panels	59	(1499)	70 1/2	(1791)	120 5/8	(3064)	122	(3099)
3 Panel	1 3/4" Panels	89 51/64	(2281)	70 1/2	(1791)	146 15/64	(3714)	98	(2489)
3 Panel	2 1/4" Panels	89 51/64	(2281)	70 1/2	(1791)	182 15/64	(4629)	122	(3099)
4 panel	1 3/4" Panels	115 3/4	(2940)	70 1/2	(1791)	191	(4851)	98	(2489)
4 panel	2 1/4" Panels	115 3/4	(2940)	70 1/2	(1791)	191	(4851)	122	(3099)

Ultimate Sliding French Door G2 Transoms Minimums and Maximums									
Unit Type		Min Frame Size				Max Frame Size			
		Width		Height		Width		Height	
		in	mm	in	mm	in	mm	in	mm
Above O, Above OX, Above XO	Factory/Field Muller	19 27/32	(504)	11 3/8	(289)	84 5/8	(2149)	50 3/8	(1280)
	Stand Alone	19 27/32	(504)	11 3/8	(289)	96 5/8	(2454)	50 3/8	(1280)
Above OOX,Above XOO,Above OXO	Factory/Field Muller	50 11/64	(1274)	11 3/8	(289)	84 5/8	(2149)	50 3/8	(1280)
	Stand Alone	50 11/64	(1274)	11 3/8	(289)	146 15/64	(3714)	50 3/8	(1280)
Above OXXO	Factory/Field Muller	37 5/16	(948)	11 3/8	(289)	84 5/8	(2149)	50 3/8	(1280)
	Stand Alone	37 5/16	(948)	11 3/8	(289)	191	(4851)	50 3/8	(1280)

Ultimate Sliding French Doors IZ3 Minimums and Maximums									
Unit Type		Min Frame Size				Max Frame Size			
		Width		Height		Width		Height	
		in	mm	in	mm	in	mm	in	mm
Stationary	2 1/4" Panels	19 27/32	(504)	23 7/8	(606)	63 7/8	(1622)	98	(2489)
2 Panel	2 1/4" Panels	59	(1499)	70 1/2	(1791)	120 5/8	(3064)	98	(2489)
2 Panel	2 1/4" Panels	59	(1499)	70 1/2	(1791)	96 5/8	(2454)	122	(3099)
3 Panel	2 1/4" Panels	89 51/64	(2281)	70 1/2	(1791)	146 15/64	(3714)	122	(3099)
3 Panel	2 1/4" Panels	89 51/64	(2281)	70 1/2	(1791)	182 15/64	(4629)	98	(2489)
4 panel	2 1/4" Panels	115 3/4	(2940)	70 1/2	(1791)	191	(4851)	122	(3099)

Ultimate Sliding French Door Transoms IZ3 Minimums and Maximums									
Unit Type		Min Frame Size				Max Frame Size			
		Width		Height		Width		Height	
		in	mm	in	mm	in	mm	in	mm
Above O, Above OX, Above XO	Stand Alone	19 27/32	(504)	11 3/8	(289)	96 5/8	(2454)	30	(762)

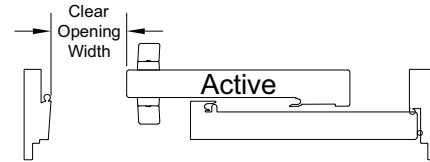
**Minimum and Maximum Guidelines: Direct Glaze Transom**

Minimum Frame Size - Direct Glaze Polygon							
Unit Type		Frame Size				Minimum Short Leg	
		Min Width		Min Height			
		in	mm	in	mm	in	mm
Insulating Glass	P3	23	(584)	23 1/2	(597)	6	(152)
	P4	15	(381)	15 1/2	(394)	6	(152)
	P5	15	(381)	15 1/2	(394)	6	(152)
	P6	15	(381)	15 1/2	(394)	6	(152)
	P8	15	(381)	15 1/2	(394)	6	(152)

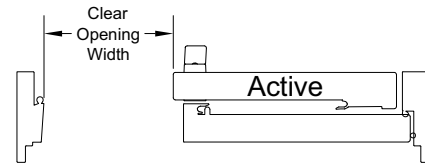
Maximum Guidelines Ultimate Direct Glaze Rectangles/Transoms				
Unit Type	Max Width		Max Height	
Insulating Glass	Certified Frame Size			
	84	(2134)	97	(2464)
	97	(2464)	84	(2134)
	Non-Certified Frame Size			
	145 9/16	(3697)	63 15/16	(1624)
	107 3/4	(2737)	86 1/16	(2186)
	86 1/16	(2186)	107 3/4	(2737)
	63 15/16	(1624)	145 9/16	(3697)

**Net Clear Opening: Standard**

Net Clear Opening USFD and USFD2.25					
Width					
Unit Type	Call Number	Net Clear Openings		with Exterior Flush Handle	
		ft-in	mm	ft-in	mm
OX or XO	50R	22.808	(579)	26.255	(667)
	60R	28.808	(732)	32.255	(819)
	80R	40.808	(1037)	44.255	(1124)
	50	23.620	(600)	27.067	(688)
	60	29.620	(752)	33.067	(840)
	80	41.620	(1057)	45.067	(1145)
	100	53.620	(1362)	57.067	(1450)
OOX or XOO	7-6R	22.587	(574)	26.034	(661)
	9-0R	28.587	(726)	32.034	(814)
	12-0R	40.587	(1031)	44.034	(1118)
	76	23.399	(594)	26.846	(682)
	90	29.399	(747)	32.846	(834)
	120	41.399	(1052)	44.846	(1139)
	150	53.399	(1356)	56.846	(1444)
OXO	7-6R	22.788	(579)	26.235	(666)
	9-0R	28.788	(731)	32.235	(819)
	12-0R	40.788	(1036)	44.235	(1124)
	76	23.600	(599)	27.047	(687)
	90	29.600	(752)	33.047	(839)
	120	41.600	(1057)	45.047	(1144)
	150	53.600	(1361)	57.047	(1449)
OXXO Active Panel only	100	23.601	(599)	27.048	(687)
	120	29.601	(752)	33.048	(839)
	160	41.601	(1057)	45.048	(1144)
OXXO Both Panels	100	47.800	(1214)	54.694	(1389)
	120	59.800	(1519)	66.694	(1694)
	160	83.800	(2129)	90.694	(2304)
Height					
Unit Type	Call Number	Net Clear Openings			
		ft - in	mm		
All Configurations	6-6	75.881	(1926)		
	6-8	78.381	(1990)		
	7-0	82.381	(2091)		
	8-0	94.381	(2333)		
	9-0	106.381	(2638)		
	10-0	118.381	(2942)		



XO - Clear Opening Width Vertical Handles



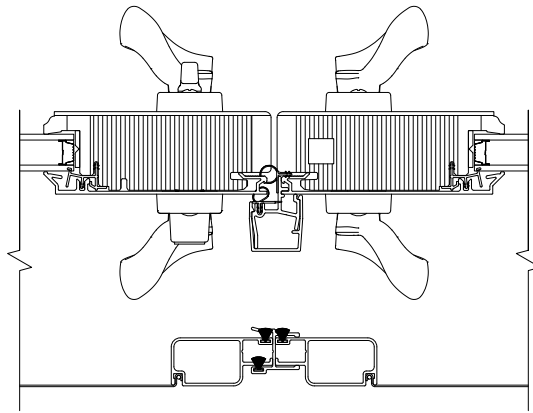
XO - Clear Opening Width Interior Vertical With Exterior Flush Pull Handles

### Measurement Conversions

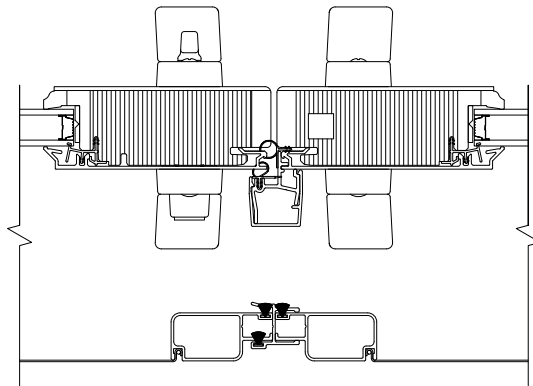
Unit Measurements		Width (1W)				Width (2W)				Width (3W)				Width (4W)				Height		
From	To	in	mm			in	mm			in	mm			in	mm			in	mm	
<b>OM of Frame</b>																				
OM of Frame	Rough Opening	+ 1	(25)			+ 1	(25)			+ 1	(25)			+ 1	(25)			+ 1/2	(13)	
Masonry Opening	Rough Opening	+ 1/2	(13)			+ 1/2	(13)			+ 1/2	(13)			+ 1/2	(13)			+ 1/4	(06)	
Masonry Opening w/BMC	Rough Opening	-2 1/8	(54)			-2 1/8	(54)			-2 1/8	(54)			-2 1/8	(54)			-1 1/16	(27)	
Masonry Opening w/Flat Casing	Rough Opening	-5 1/2	(140)			-5 1/2	(140)			-5 1/2	(140)			-5 1/2	(140)			-2 3/4	(70)	
<b>Operating Panel - Standard Sill</b>																				
OM of Frame USFD G2	OM of Panel	-2.376	(60)			+2.539	(64)	+ 2		+2.234	(57)	+ 3		+6.968	(177)	+ 4		-2.888	(73)	
OM of Frame USD	OM of Panel	-2.376	(60)			+0.609	(15)	+ 2		+0.484	(12)	+ 3		+3.468	(88)	+ 4		-2.888	(73)	
Daylight Opening USFD G2	OM of Panel	+ 9 15/32	(240)			+ 9 15/32	(240)			+ 9 15/32	(240)			+ 9 15/32	(240)			+ 12 7/8	(327)	
Daylight Opening USD	OM of Panel	+ 5 31/32	(152)			+ 5 31/32	(152)			+ 5 31/32	(152)			+ 5 31/32	(152)			+ 5 31/32	(152)	
<b>Glass</b>																				
Daylight Opening	Glass	+ 1 1/4	(32)			+ 1 9/32	(33)			+ 1 5/16	(33)			+ 1 5/16	(33)			+ 1 5/16	(33)	
Panel OM USD	Glass	-2.74	(70)			-2.74	(70)			-2.74	(70)			-2.74	(70)			-2.74	(70)	
Panel OM USFD G2	Glass	-8.22	(209)			-8.22	(209)			-8.22	(209)			-8.22	(209)			-11.627	(295)	
Panel OM USFD G2 4 3/4 btm rail	Glass	-8.22	(209)			-8.22	(209)			-8.22	(209)			-8.22	(209)			-8.252	(210)	

**Section Details: Hardware Options**

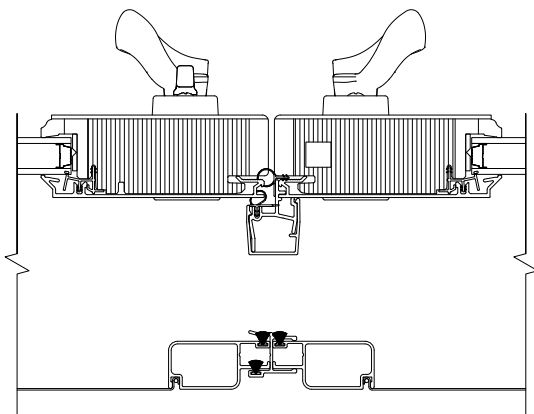
Scale: 3" = 1' 0"



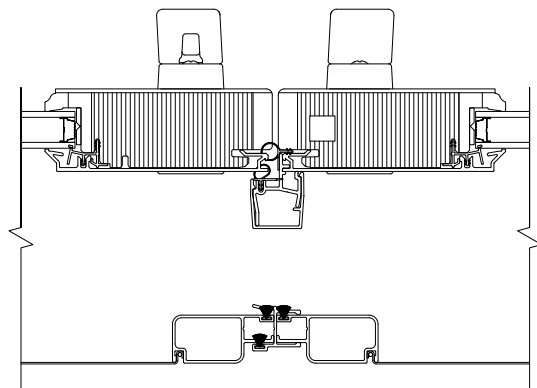
Harp G2 Handle (Keyed)



Vertical Pull (Keyed)



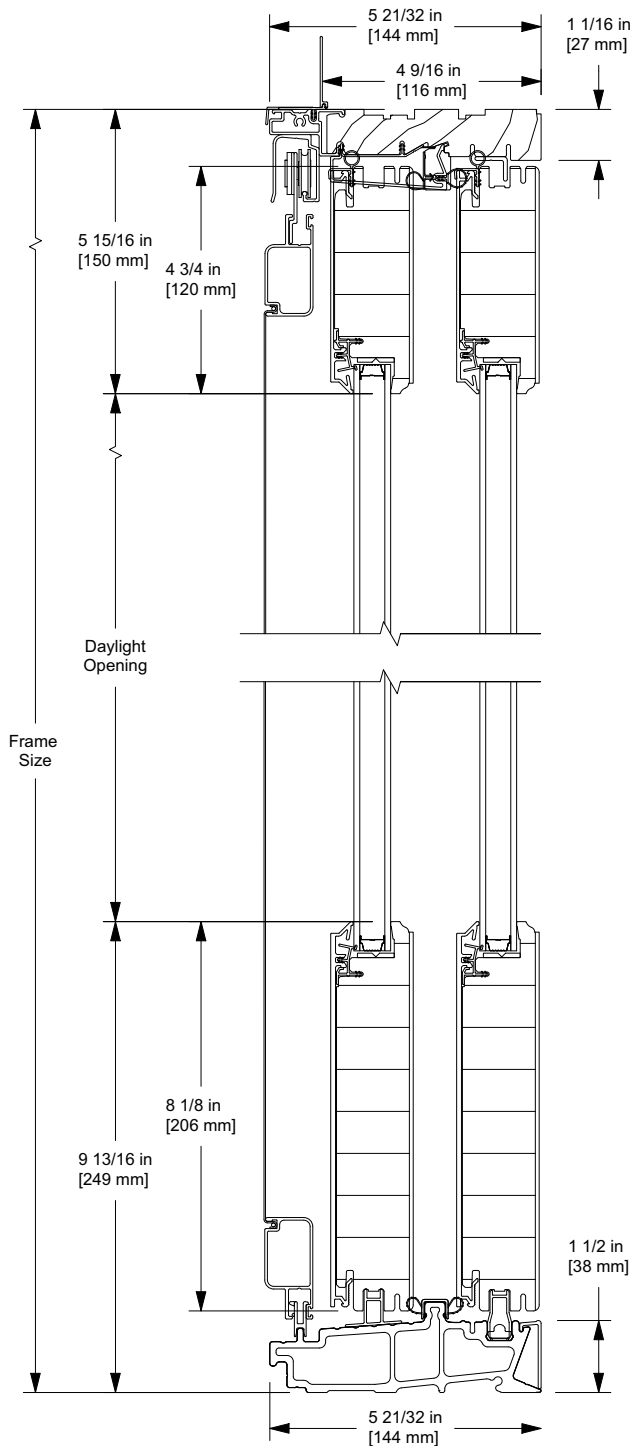
Exterior Flush Pull w/Harp G2 Handle




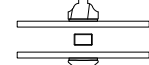
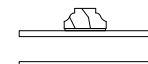
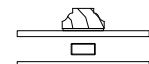
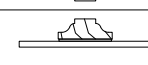

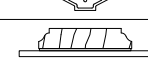
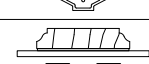

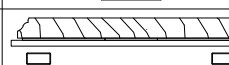
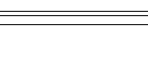
Exterior Flush Handle w/Vertical Pull

**Section Details: Operating (1 3/4" Panels, Standard: Ogee, Interior Glazing Profile)**

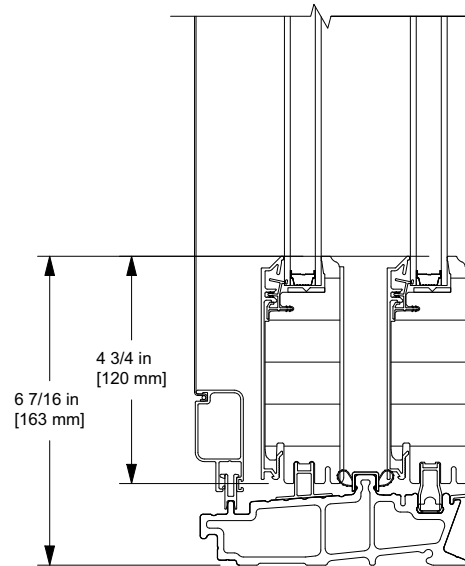
Scale: 3" = 1' 0"



**Standard Rails**  
 Top Rail: 4 3/4 inch  
 Bottom Rail: 8 1/8 inch  
 Interior: Ogee  
 Exterior: Simulated Putty

Ogee Interior and Simulated Putty Exterior Divided Lites		
SDL	No Spacer Bar	with Spacer Bar
5/8 in [16 mm]		
7/8 in [22 mm]		
1 1/8 in [29 mm]		
1 15/16 in [49 mm]		
4 3/4 in [120 mm] *		
GBG		
23/32 in [18 mm]		

\* 4 3/4 inch Available for Transom Simulated Stiles Only



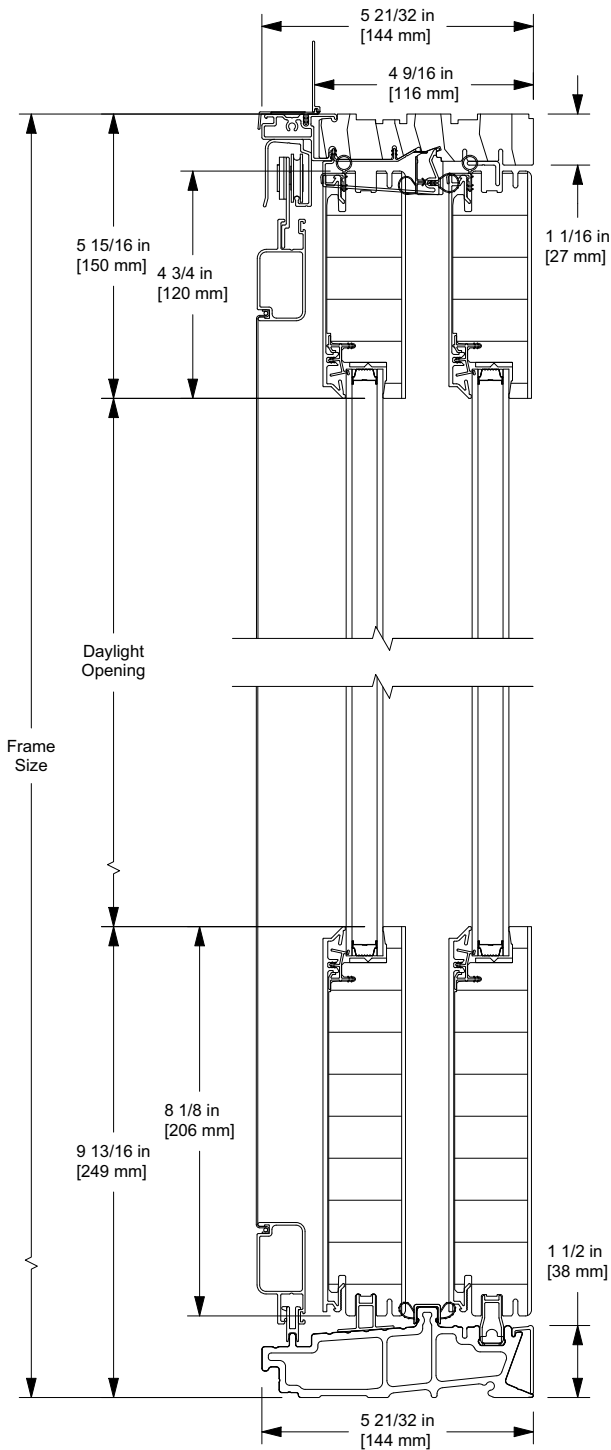
**Optional Rails**  
 Bottom Rail: 4 3/4 inch

**NOTE:** Due to the inherent qualities of tempered glass, daylight gaps may be seen when using simulated divided lite bars. Daylight gaps could be visible between the internal spacer bar and surface applied bars when viewing from an acute angle to the glass on the following applications:

- Tempered glass over 72" high while using 5/8" SDL bars
- Tempered glass over 91" high while using 7/8" SDL bars.

**Section Details: Operating (1 3/4" Panels, Optional: Square Interior Glazing Profile)**

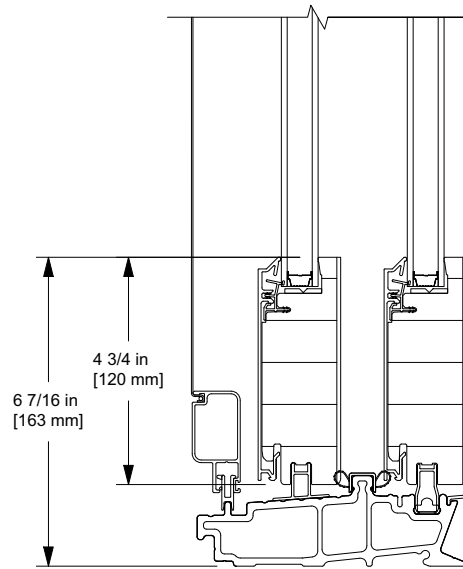
Scale: 3" = 1' 0"



**Standard Rails**  
 Top Rail: 4 3/4 inch  
 Bottom Rail: 8 1/8 inch  
 Interior: Square  
 Exterior: Simulated Putty

Square Interior and Simulated Putty Exterior Divided Lites		
SDL	No Spacer Bar	with Spacer Bar
5/8 in [16 mm]		
7/8 in [22 mm]		
1 1/8 in [29 mm]		
1 15/16 in [49 mm]		
4 3/4 in [120 mm] *		
GBG		
23/32 in [18 mm]		

\* 4 3/4 inch Available for Transom Simulated Stiles Only



**Optional Rails**  
 Bottom Rail: 4 3/4 inch

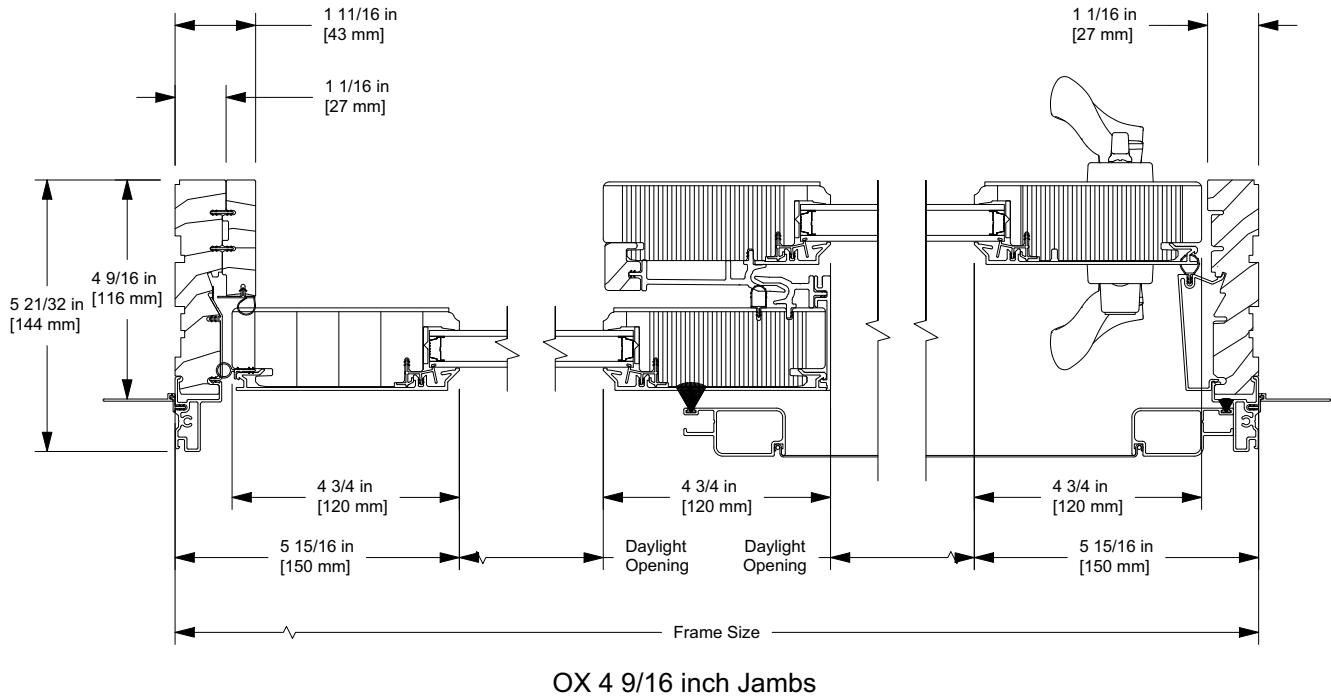
**NOTE:** Due to the inherent qualities of tempered glass, daylight gaps may be seen when using simulated divided lite bars. Daylight gaps could be visible between the internal spacer bar and surface applied bars when viewing from an acute angle to the glass on the following applications:

- Tempered glass over 72" high while using 5/8" SDL bars
- Tempered glass over 91" high while using 7/8" SDL bars.



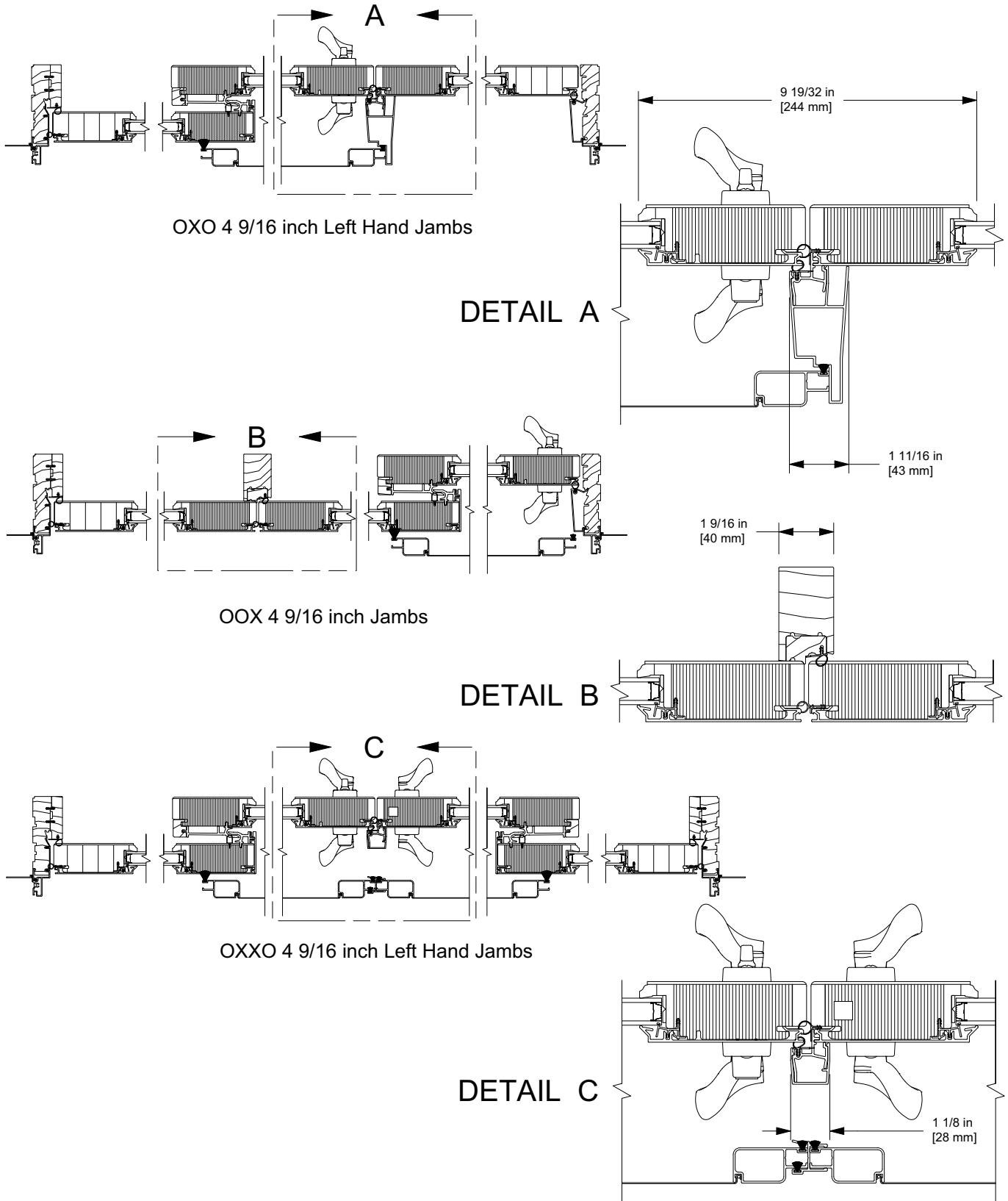
**Section Details: Operating (1 3/4" Panels, Horizontal)**

Scale: 3" = 1' 0"



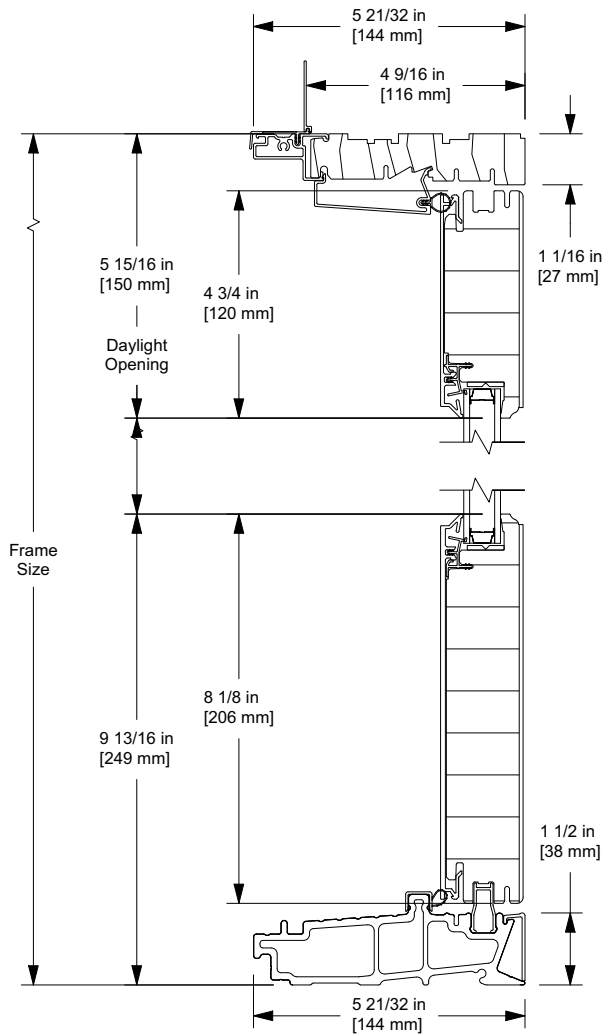
**Section Details: Operating (1 3/4" Panels, Horizontal)**

Scale: 1 1/2" = 1' 0"

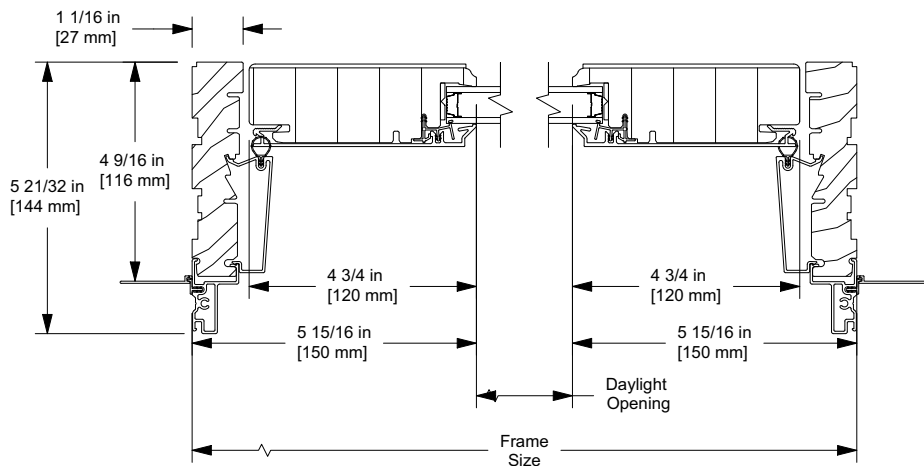


**Section Details: Stationary (1 3/4" Panels)**

Scale: 3" = 1' 0"



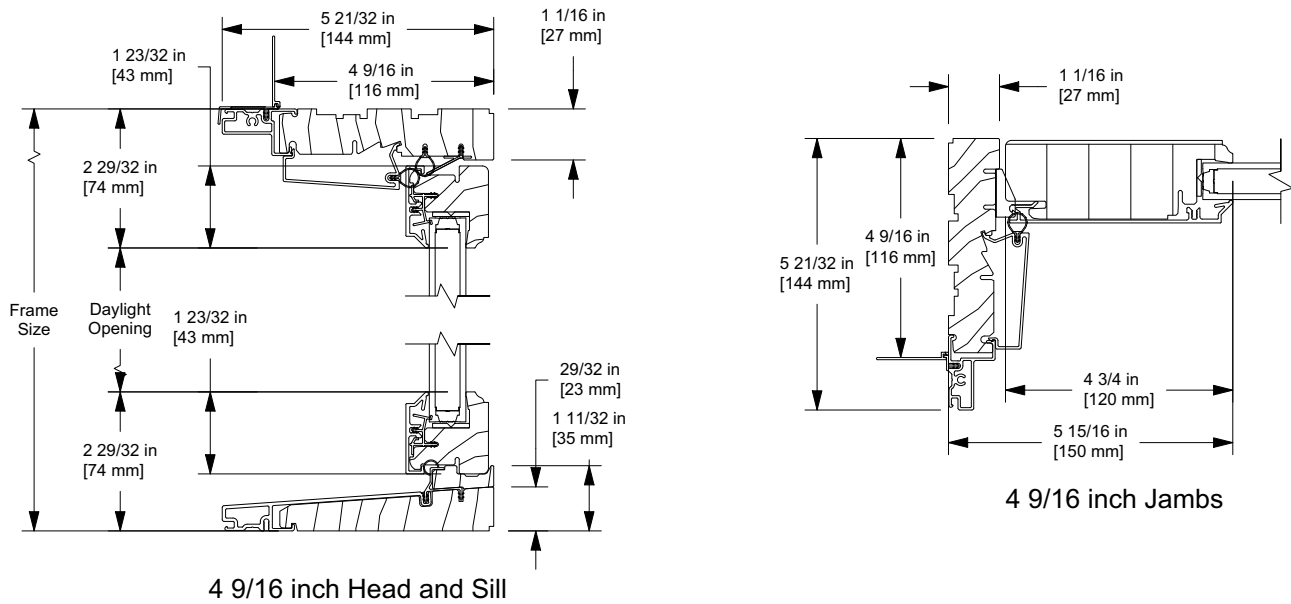
O 4 9/16 inch Head and Sill



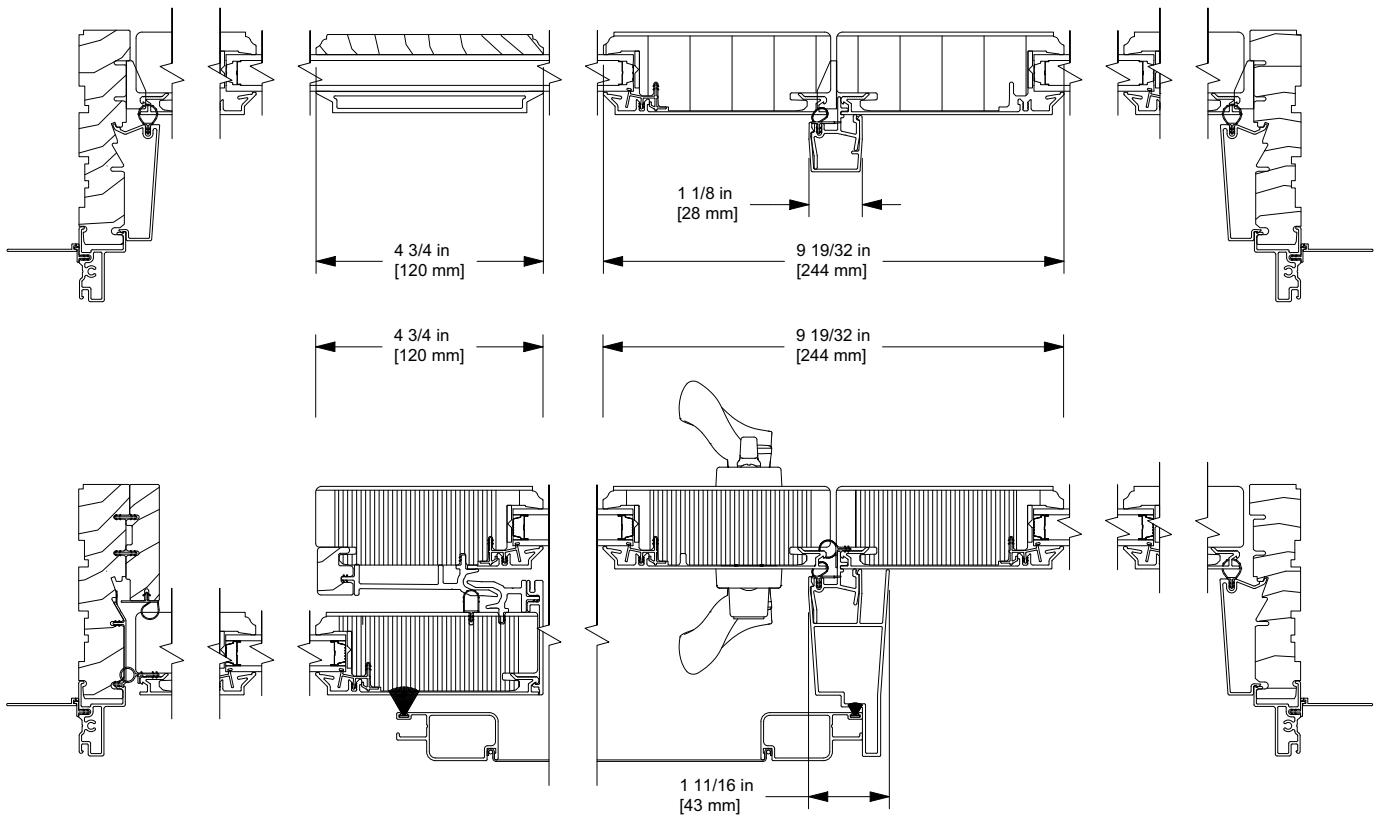
O 4 9/16 inch Jamb

**Section Details: Transoms (1 3/4" Panels)**

Scale: 3" = 1' 0"

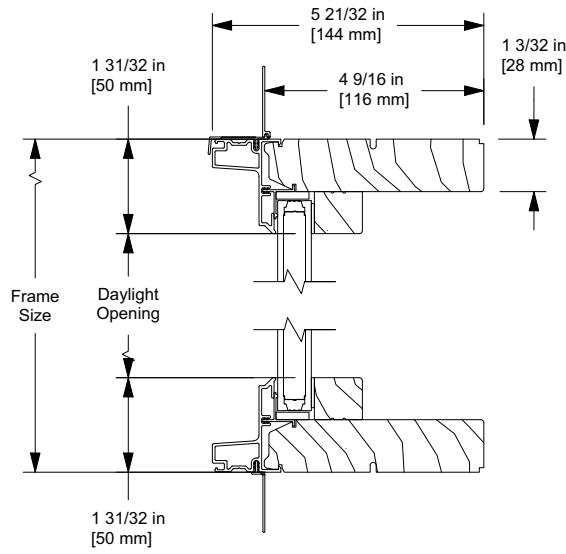


**1 Frame/2 Sash Transom Aligned over OXO Left Hand Door**  
 Transom 4 3/4 inch SDL Bar Aligned over USFD G2 Interlock Stiles  
 Transom Meeting Stiles Aligned over USFD G2 Meeting Stiles

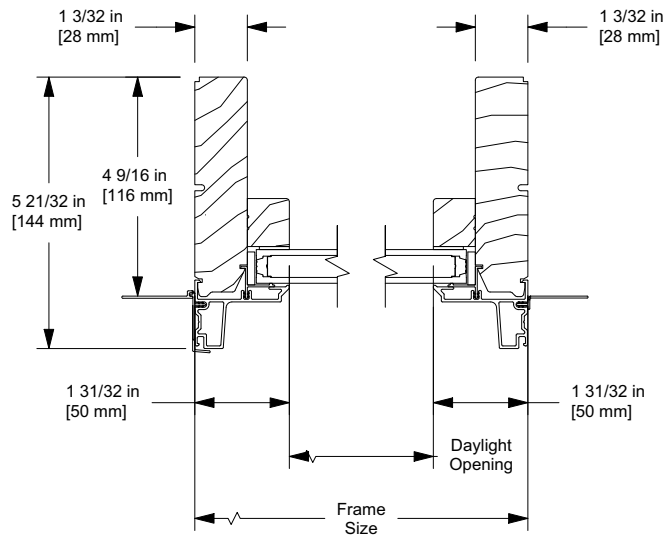


**Section Details: Direct Glaze Transoms (1 3/4" Panels)**

Scale: 3" = 1' 0"



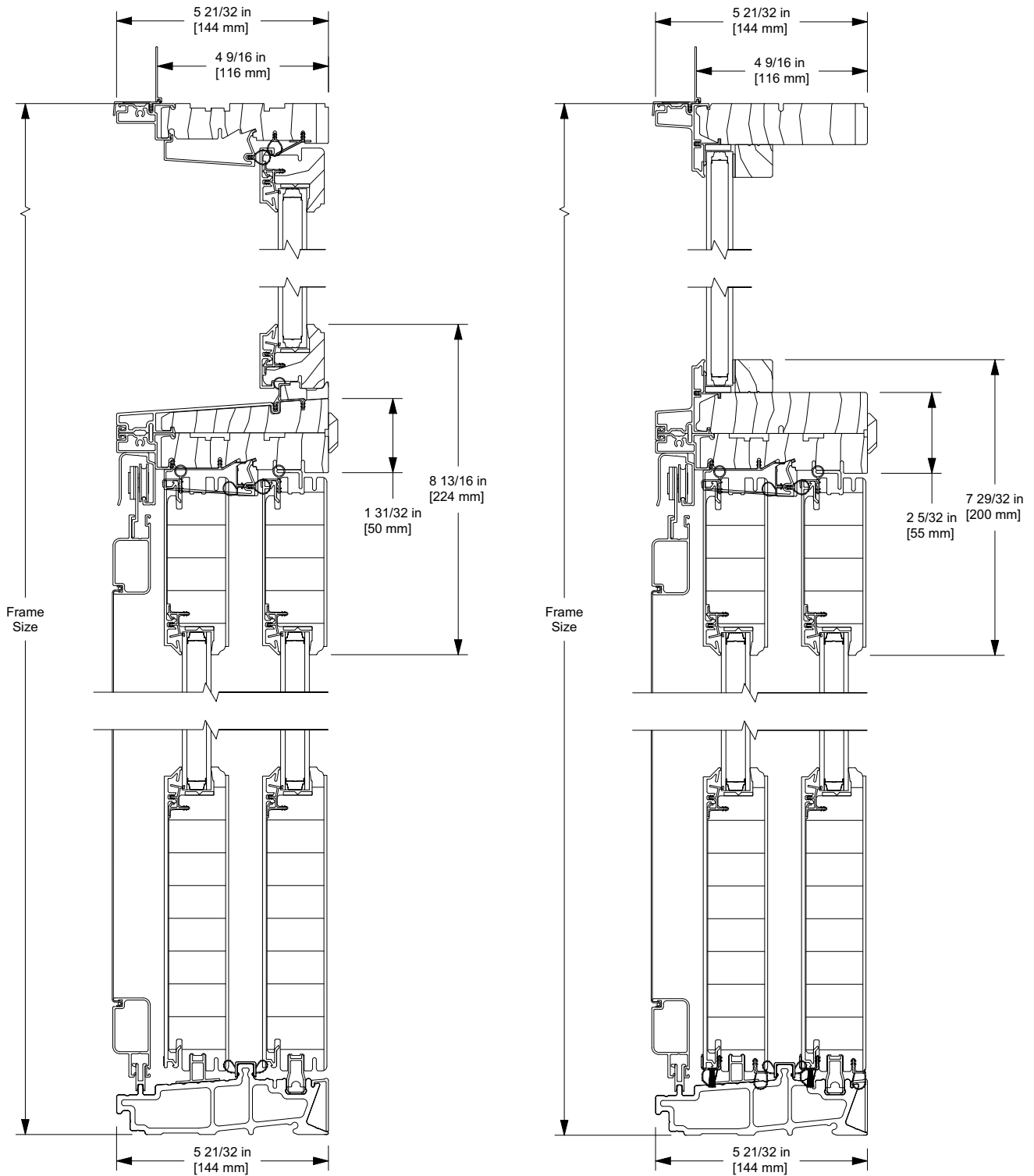
**4 9/16 inch Head and Sill**



**4 9/16 inch Jambs**

**Section Details: Transom Mull (1 3/4" Panels)**

Scale: 3" = 1' 0"

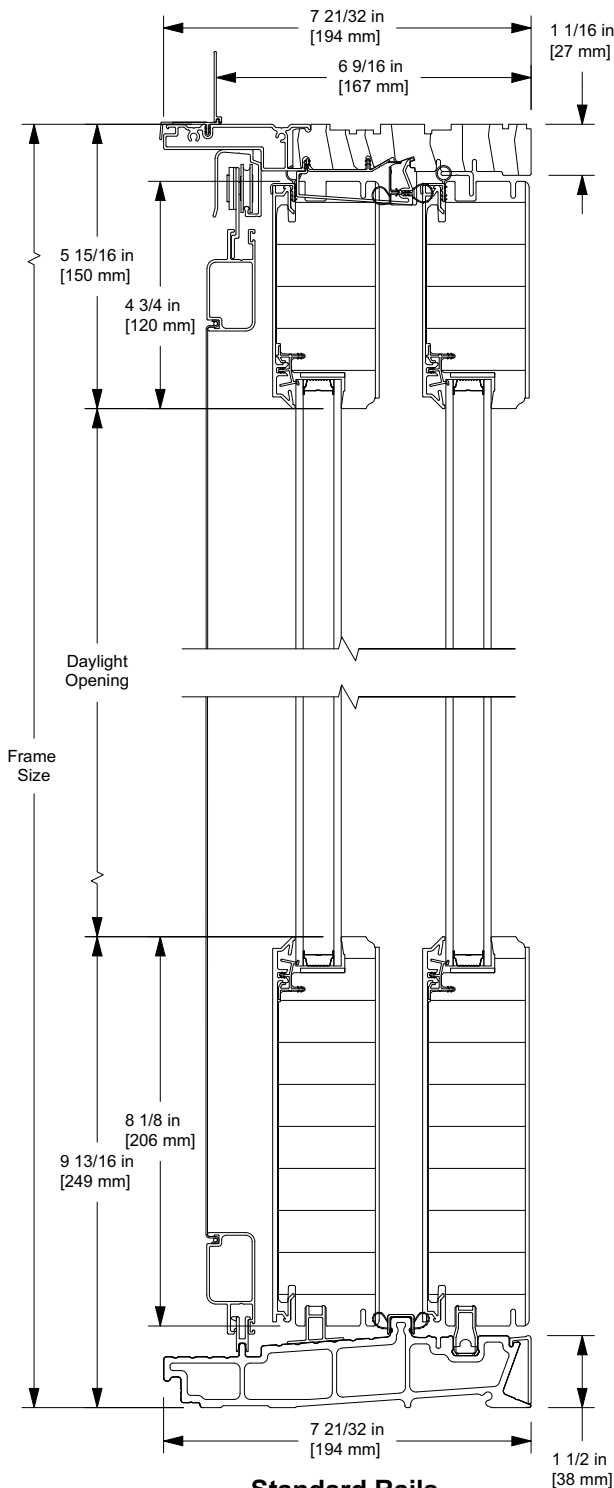


4 9/16 inch In Sash Transom Mull over USFD G2

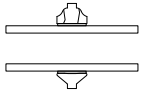
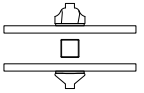
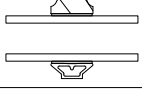
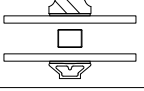
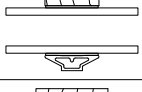
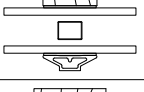
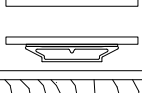
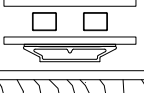


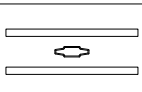
4 9/16 inch Direct Glaze Transom Mull over USFD G2

**Section Details: Operating (2 1/4" Panels, Standard: Ogee Interior Glazing Profile)**

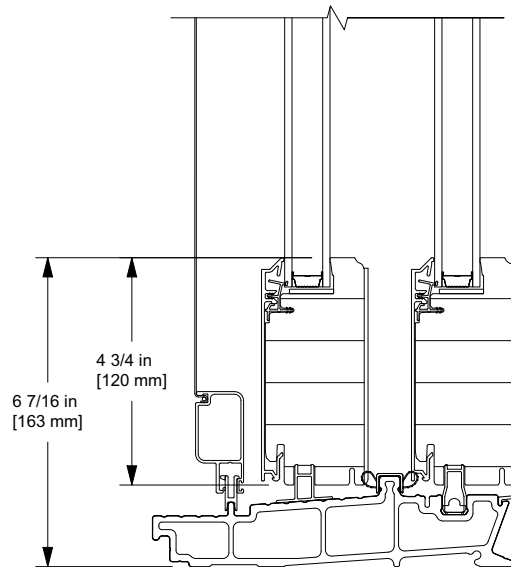
Scale: 3" = 1' 0"



**Standard Rails**  
 Top Rail: 4 3/4 inch  
 Bottom Rail: 8 1/8 inch  
 Interior: Ogee  
 Exterior: Simulated Putty

Ogee Interior and Simulated Putty Exterior Divided Lites		
SDL	No Spacer Bar	with Spacer Bar
5/8 in [16 mm]		
7/8 in [22 mm]		
1 1/8 in [29 mm]		
1 15/16 in [49 mm]		
4 3/4 in [120 mm] *		
GBG		
23/32 in [18 mm]		

\* 4 3/4 inch Available for Transom Simulated Stiles Only



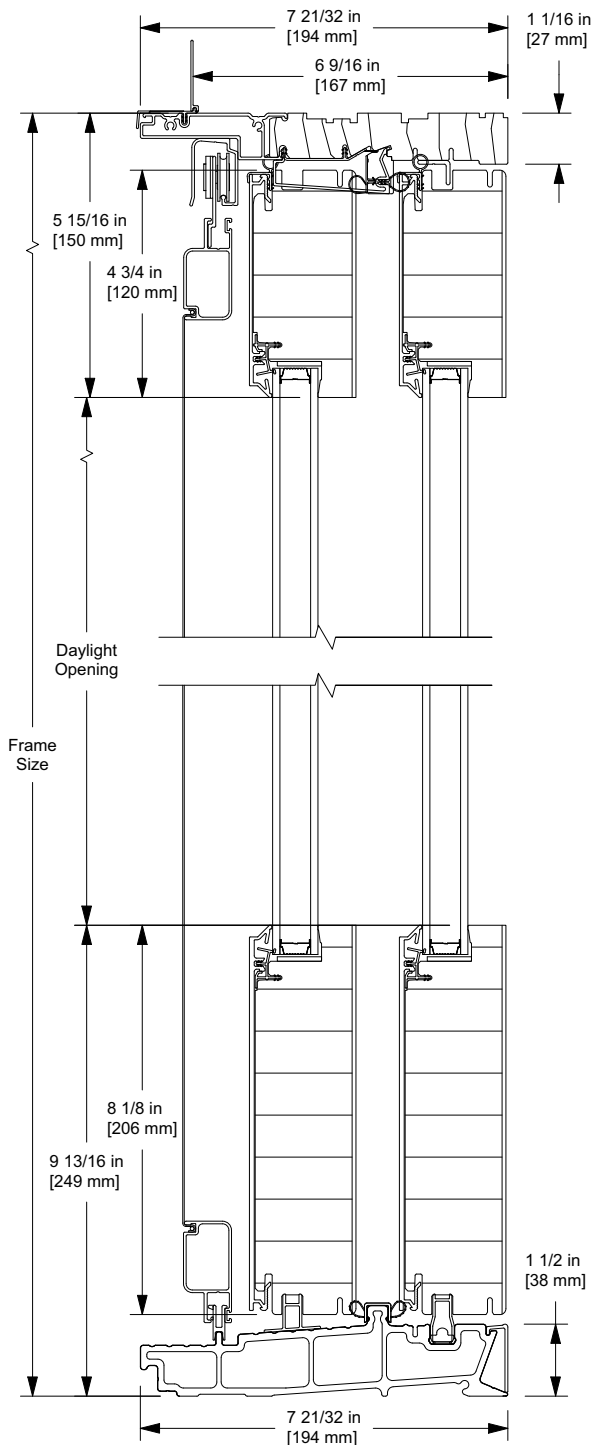
**Optional Rails**  
 Bottom Rail: 4 3/4 inch

*NOTE: Due to the inherent qualities of tempered glass, daylight gaps may be seen when using simulated divided lite bars. Daylight gaps could be visible between the internal spacer bar and surface applied bars when viewing from an acute angle to the glass on the following applications:*

- Tempered glass over 72" high while using 5/8" SDL bars
- Tempered glass over 91" high while using 7/8" SDL bars.

**Section Details: Operating (2 1/4" Panels, Optional: Square Interior Glazing Profile)**

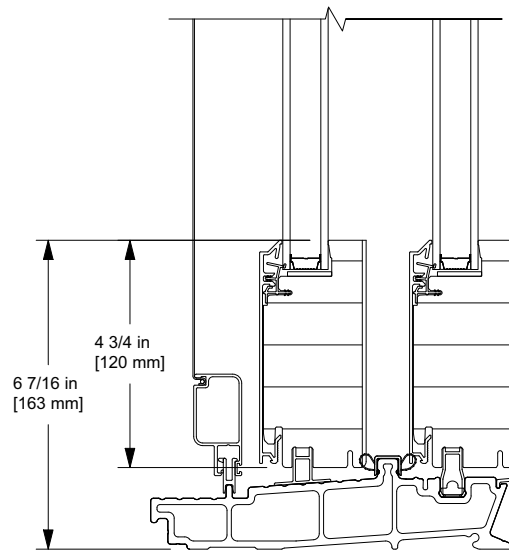
Scale: 3" = 1' 0"



**Standard Rails**  
 Top Rail: 4 3/4 inch  
 Bottom Rail: 8 1/8 inch  
 Interior: Square  
 Exterior: Simulated Putty

Square Interior and Simulated Putty Exterior Divided Lites		
SDL	No Spacer Bar	with Spacer Bar
5/8 in [16 mm]		
7/8 in [22 mm]		
1 1/8 in [29 mm]		
1 15/16 in [49 mm]		
4 3/4 in [121 mm] *		
GBG		
23/32 in [18 mm]		

\* 4 3/4 inch Available for Transom Simulated Stiles Only



**Optional Rails**  
 Bottom Rail: 4 3/4 inch

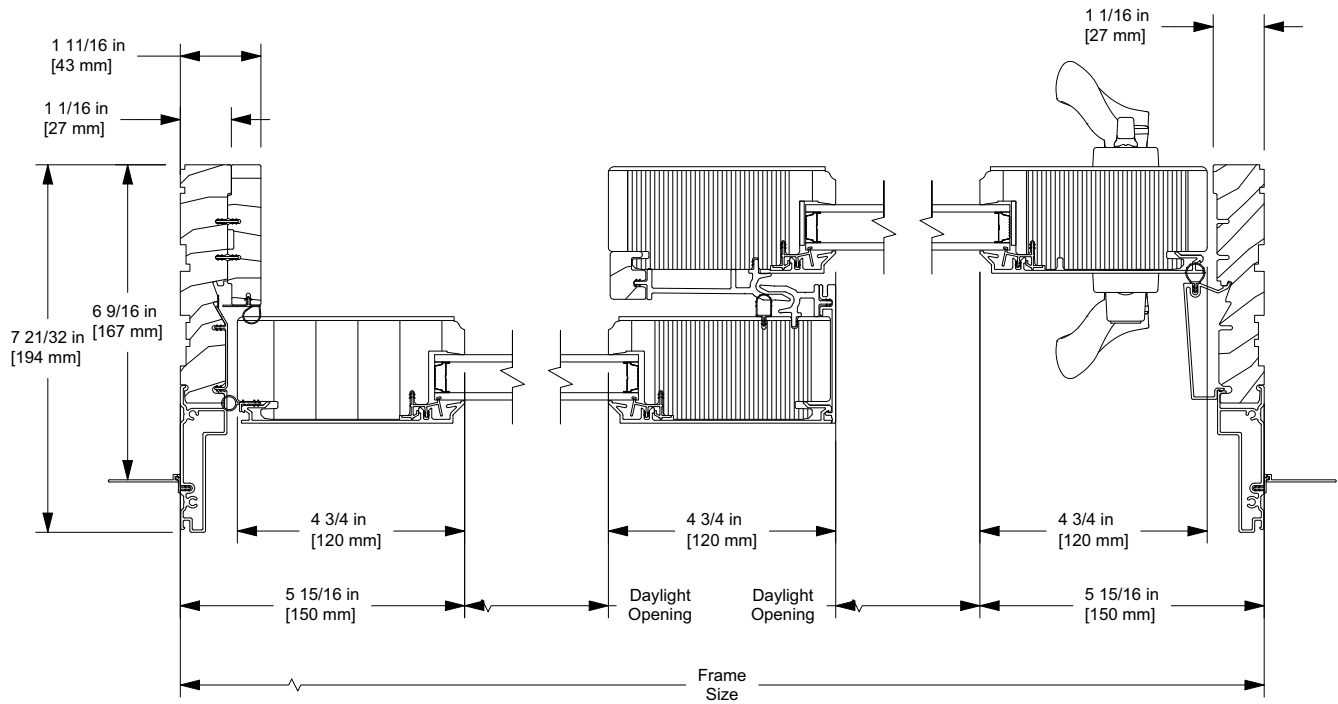
**NOTE:** Due to the inherent qualities of tempered glass, daylight gaps may be seen when using simulated divided lite bars. Daylight gaps could be visible between the internal spacer bar and surface applied bars when viewing from an acute angle to the glass on the following applications:

- Tempered glass over 72" high while using 5/8" SDL bars
- Tempered glass over 91" high while using 7/8" SDL bars.



**Section Details: Operating (2 1/4" Panels, Horizontal)**

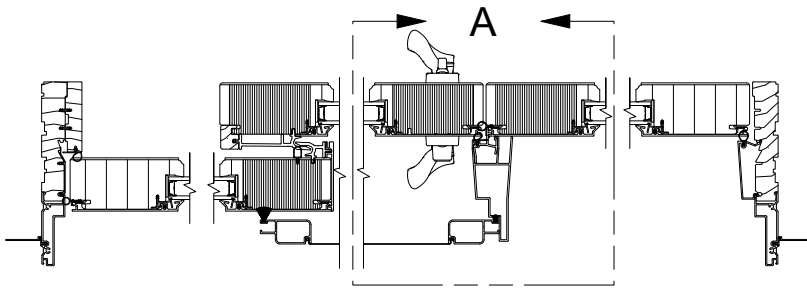
Scale: 3" = 1' 0"



OX 6 9/16 inch Jambs

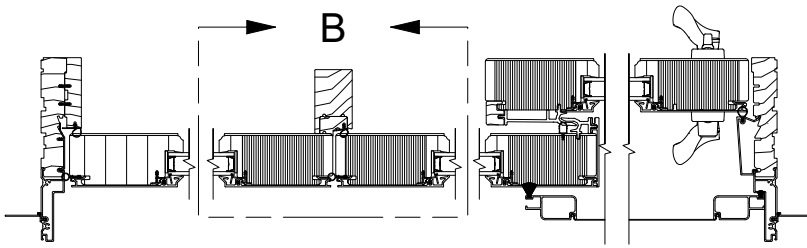
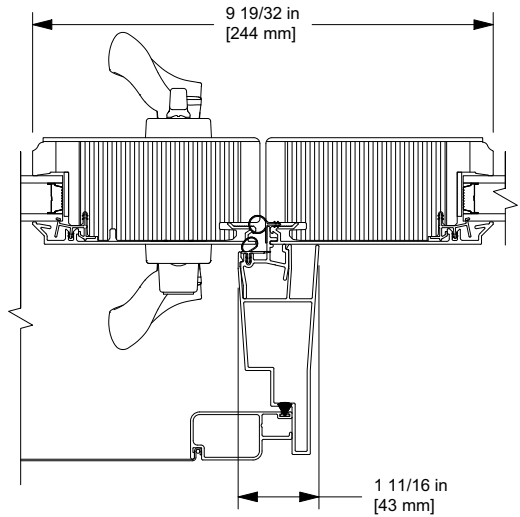
**Section Details: Operating (2 1/4" Panels, Horizontal)**

Scale: 1 1/2" = 1' 0"



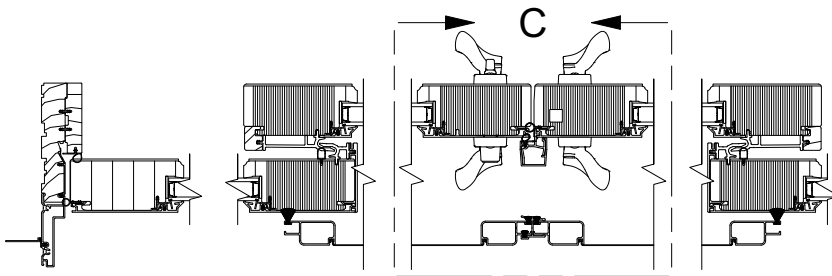
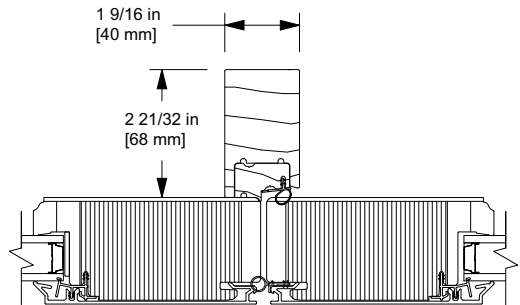
OXO 6 9/16 inch Left Hand Jambs

**DETAIL A**



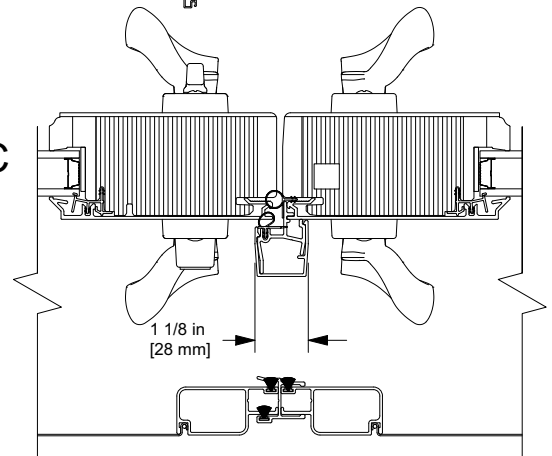
OXX 6 9/16 inch Left Hand Jambs

**DETAIL B**



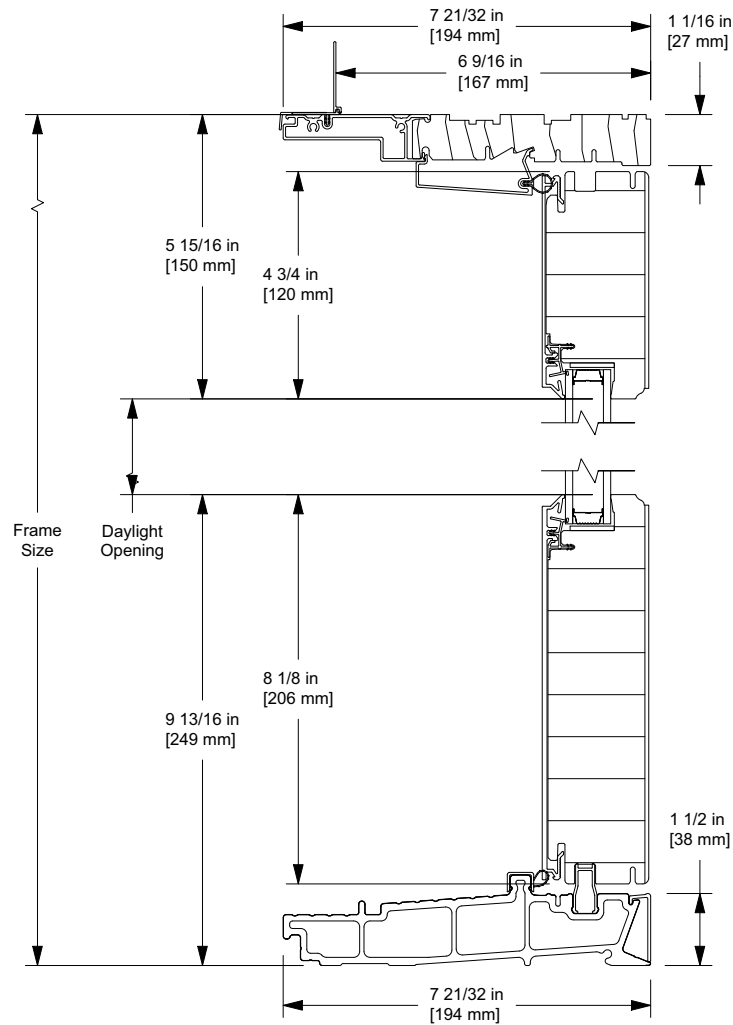
OXXO 6 9/16 inch Left Hand Jambs

**DETAIL C**

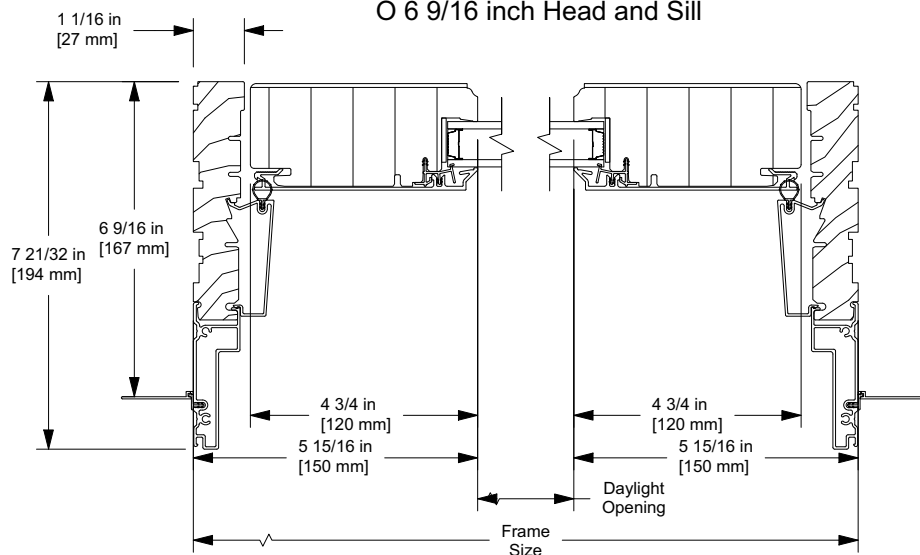


**Section Details: Stationary (2 1/4" Panels)**

Scale: 3" = 1' 0"



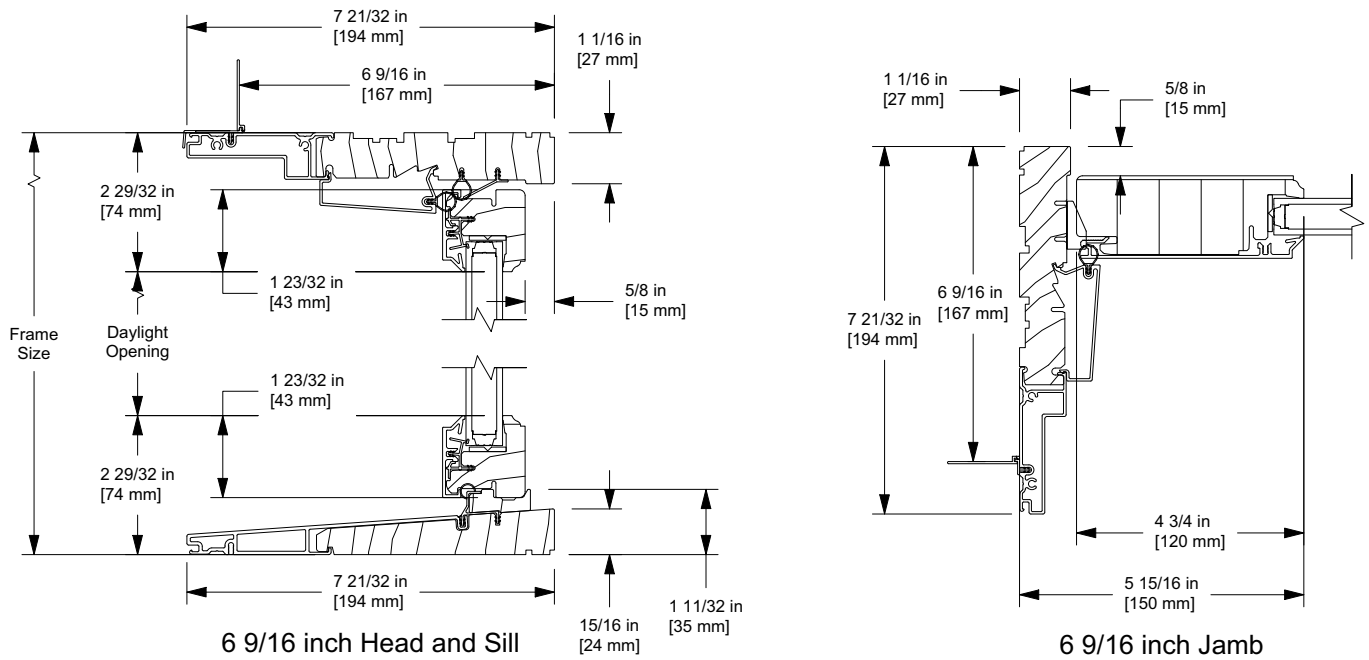
**O 6 9/16 inch Head and Sill**



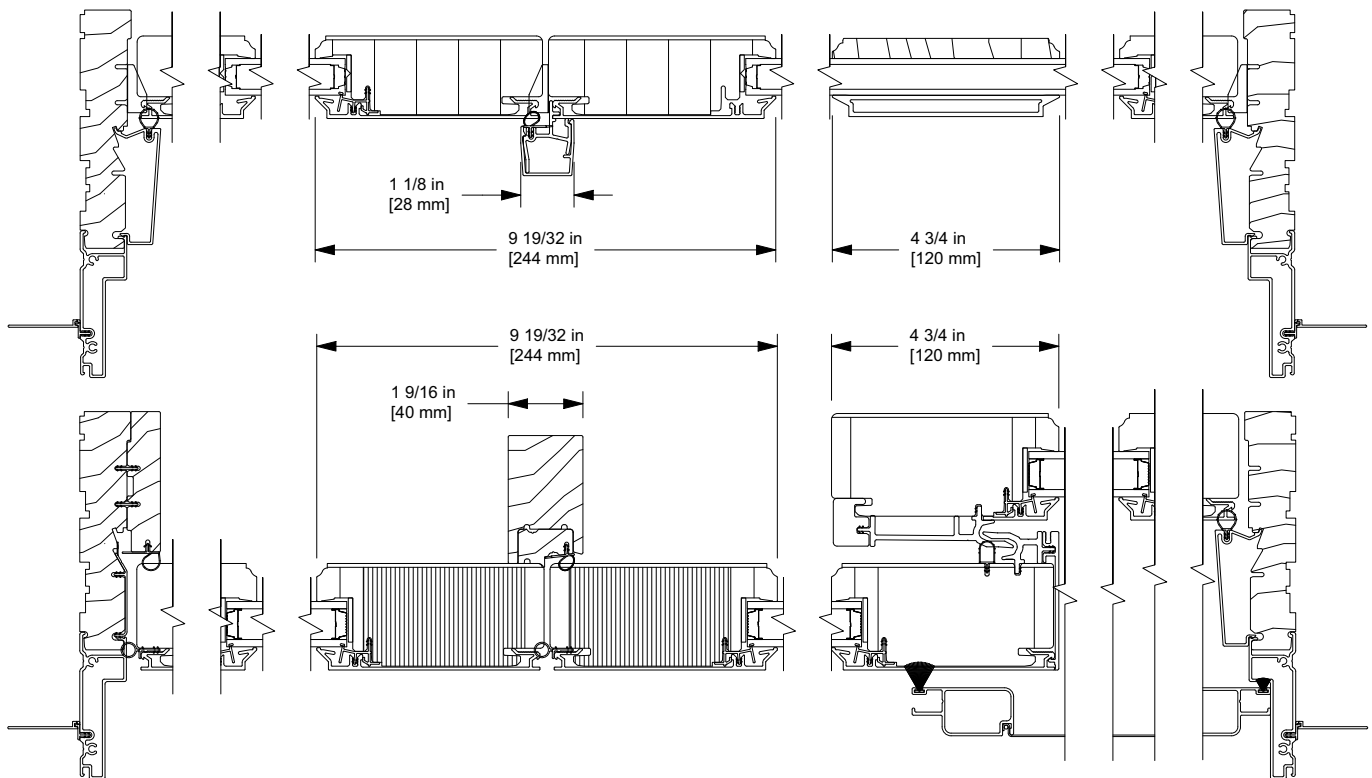
**O 6 9/16 inch Jamb**

**Section Details: Transoms (2 1/4" Panels)**

Scale: 3" = 1' 0"



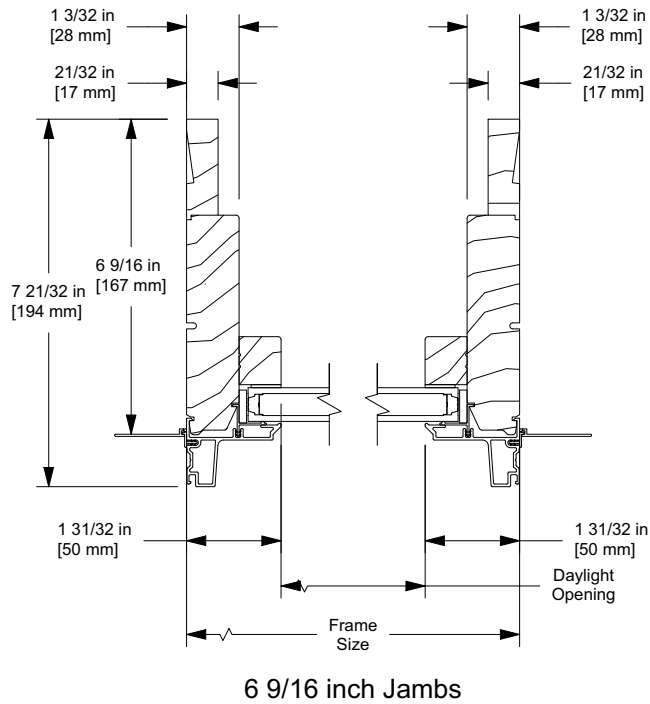
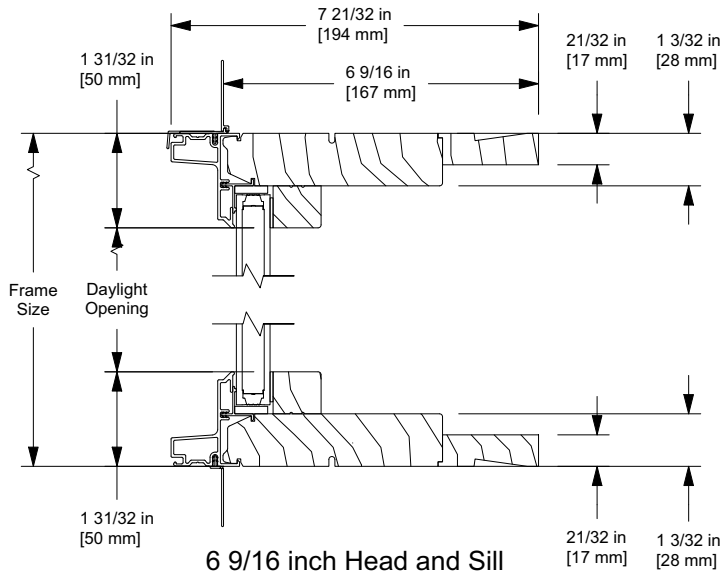
**1 Frame/2 Sash Transom Aligned over OOX Door**  
 Transom Meeting Stiles Aligned over USFD2.25 G2 Meeting Stiles  
 Transom 4 3/4 inch SDL Bar Aligned over USFD2.25 G2 Interlock Stiles



*NOTE: Transom panels are 1 3/4" panels when used above 2 1/4" doors, unless the transom contains triple-pane glass.*

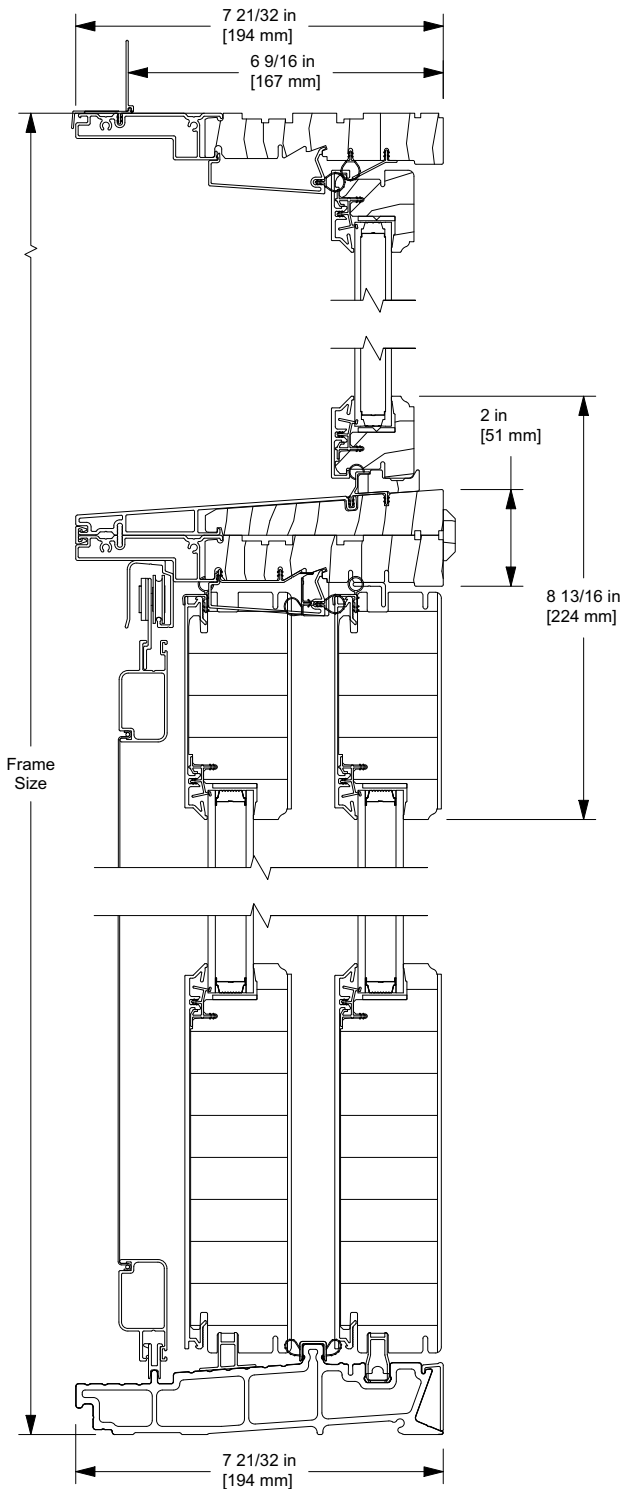
**Section Details: Direct Glaze Transoms (2 1/4" Panels)**

Scale: 3" = 1' 0"

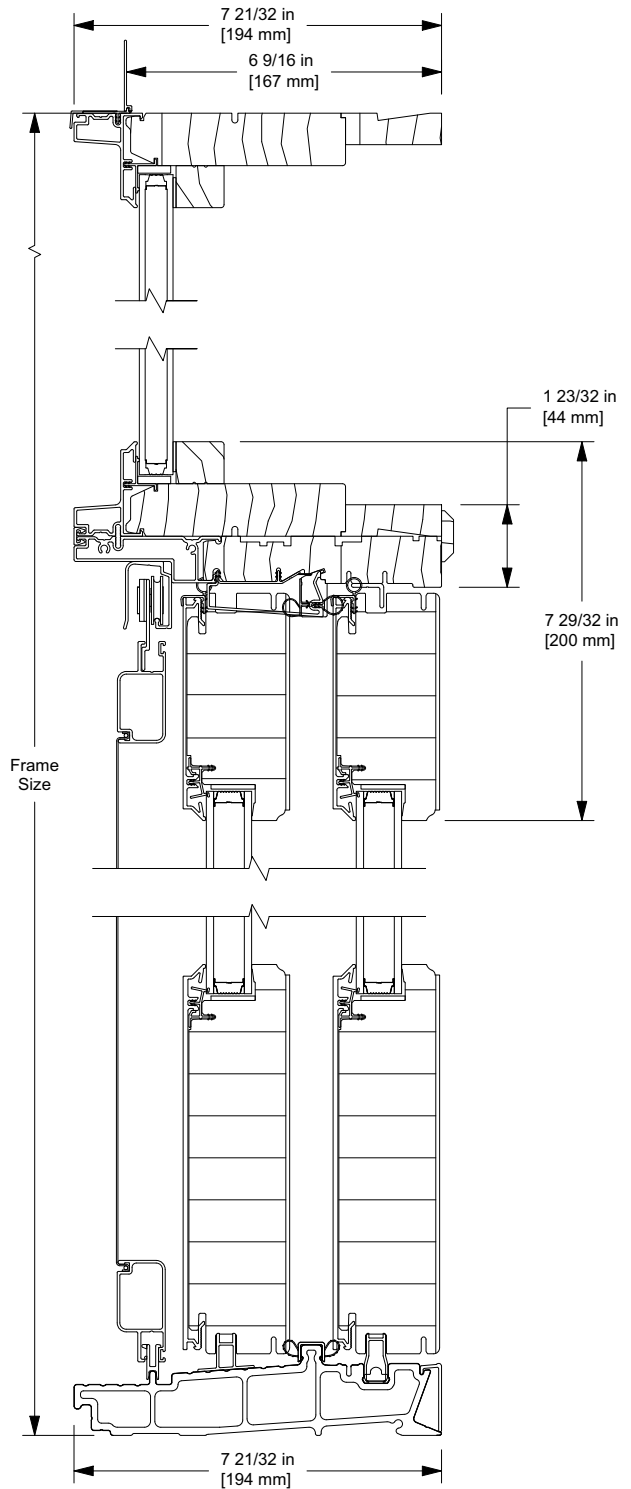


**Section Details: Transom Mull (2 1/4" Panels)**

Scale: 3" = 1' 0"



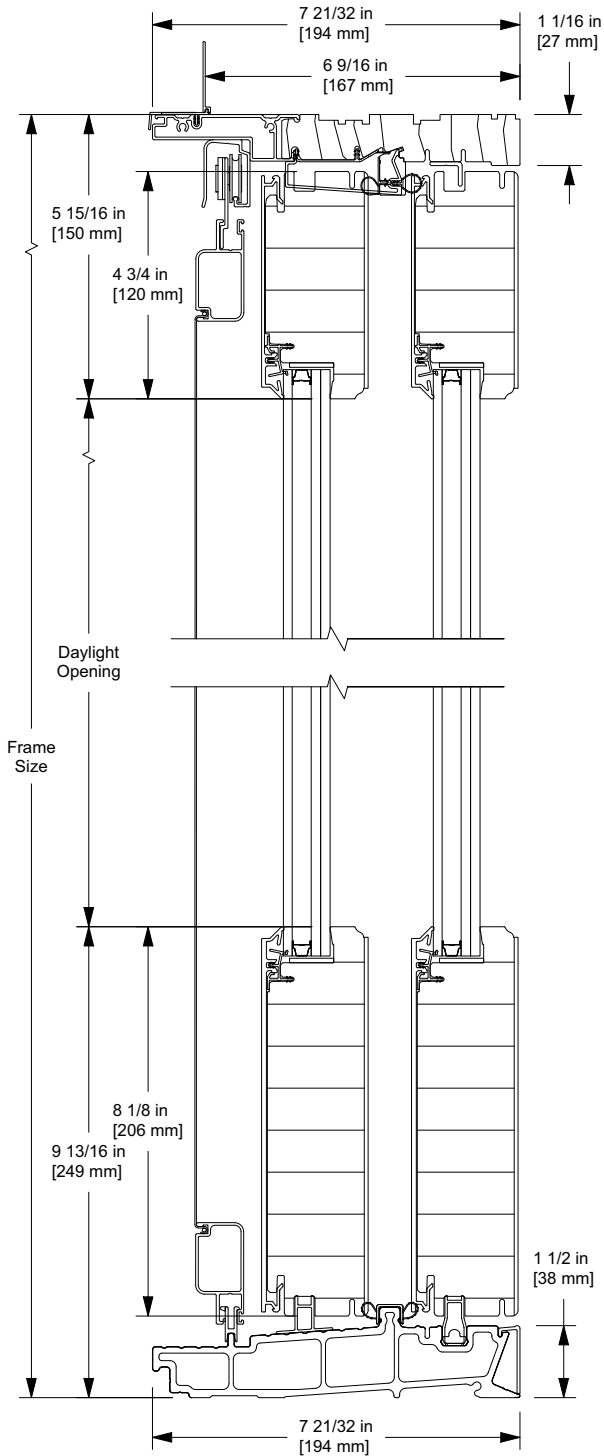
**6 9/16 inch In Sash Transom  
Mulled over USFD2.25 G2**



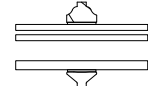
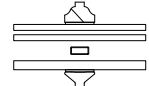
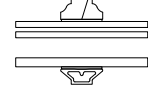
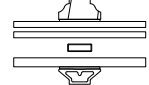
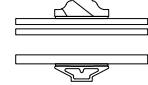
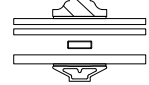
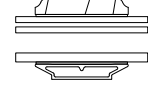
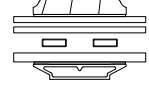


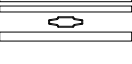
**6 9/16 inch Direct Glaze Transom  
Mulled over USFD2.25 G2**

**IZ3 Section Details: Operating (2 1/4" Panels, Standard: Ogee Interior Glazing Profile)**

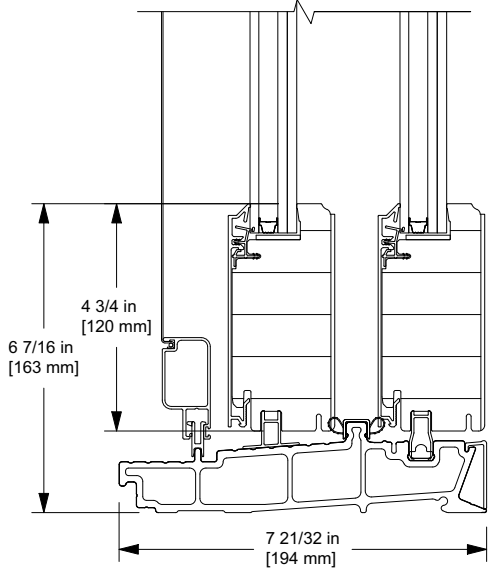
Scale: 3" = 1' 0"



**Standard Rails**  
 Top Rail: 4 3/4 inch  
 Bottom Rail: 8 1/8 inch  
 Interior: Ogee  
 Exterior: Simulated Putty

Ogee Interior and Simulated Putty Exterior Divided Lites		
SDL	No Spacer Bar	with Spacer Bar
5/8 in [16 mm]		
7/8 in [22 mm]		
1 1/8 in [29 mm]		
1 15/16 in [49 mm]		
4 3/4 in [121 mm] *		
GBG		
23/32 in [18 mm]		

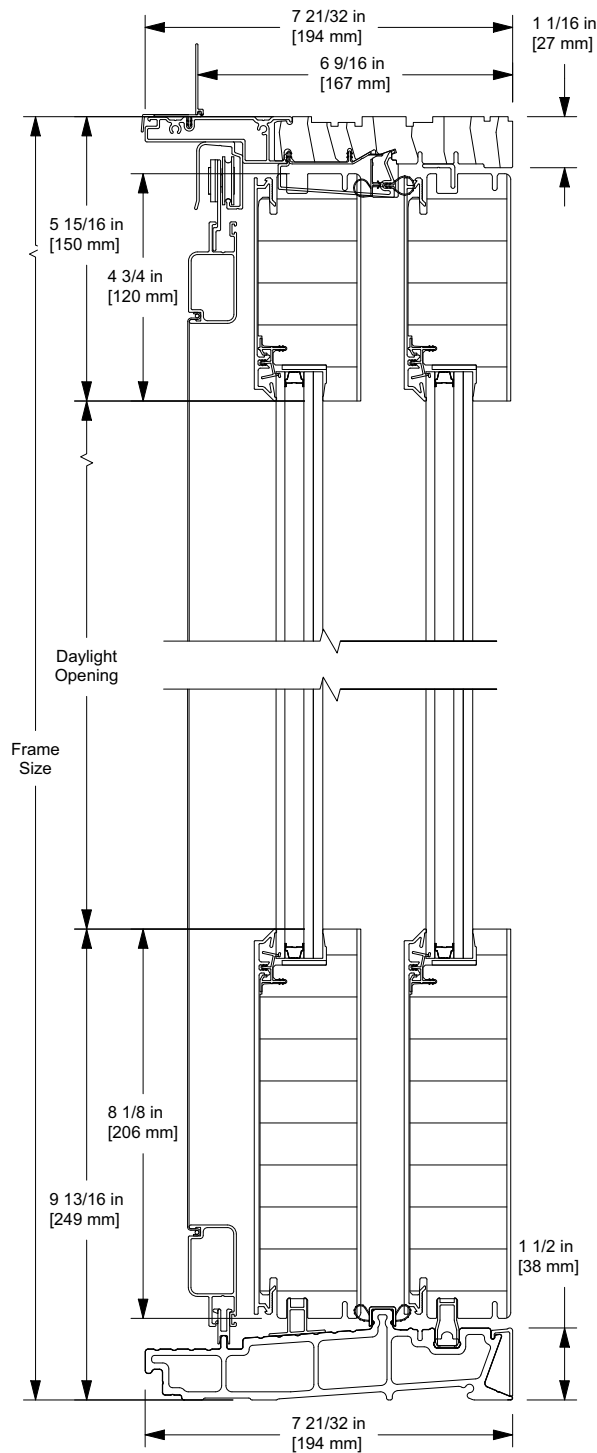
\* 4 3/4 inch Available for Transom Simulated Stiles Only



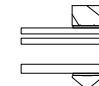
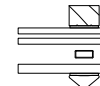
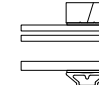
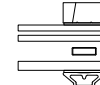
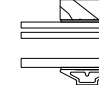
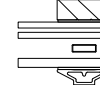
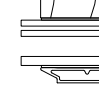
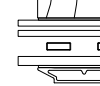
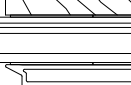
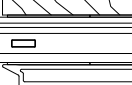
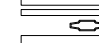
**Optional Rails**  
 Bottom Rail: 4 3/4 inch

**IZ3 Section Details: Operating (2 1/4" Panels, Optional: Square Interior Glazing Profile)**

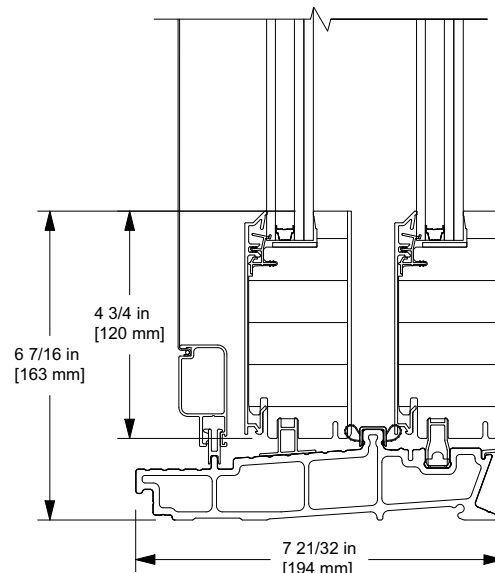
Scale: 3" = 1' 0"



**Standard Rails**  
 Top Rail: 4 3/4 inch  
 Bottom Rail: 8 1/8 inch  
 Interior: Square  
 Exterior: Simulated Putty

Square Interior and Simulated Putty Exterior Divided Lites		
SDL	No Spacer Bar	with Spacer Bar
5/8 in [16 mm]		
7/8 in [22 mm]		
1 1/8 in [29 mm]		
1 15/16 in [49 mm]		
4 3/4 in [121 mm] *		
GBG		
23/32 in [18 mm]		

\* 4 3/4 inch Available for Transom Simulated Stiles Only

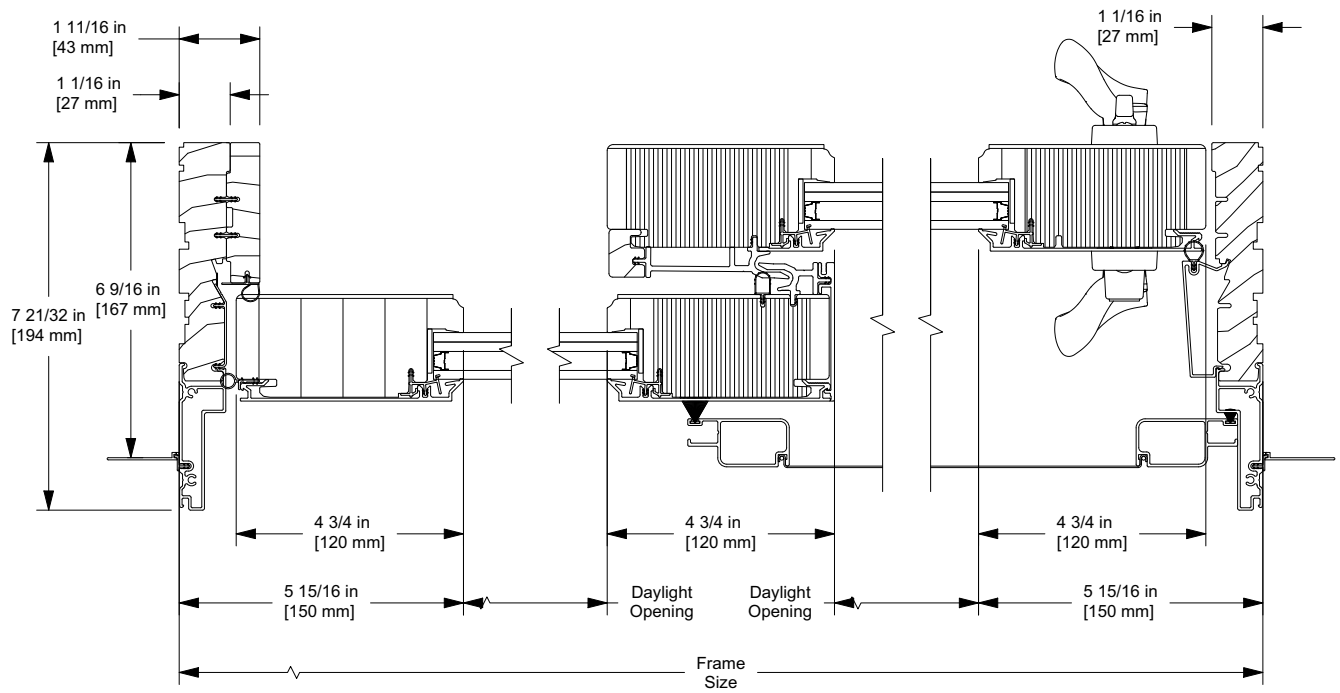


**Optional Rails**  
 Bottom Rail: 4 3/4 inch



**IZ3 Section Details: Operating (2 1/4" Panels, Horizontal)**

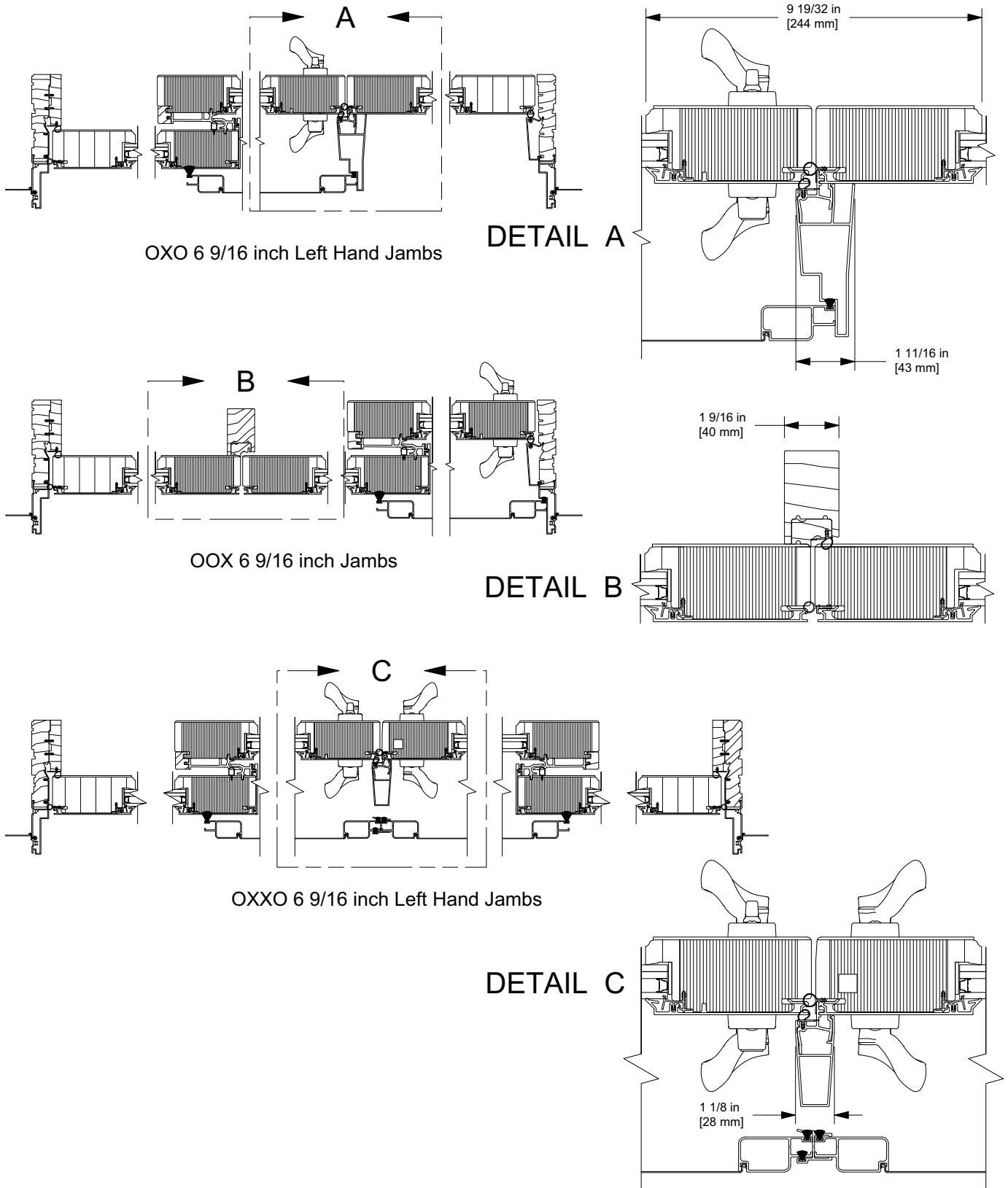
Scale: 3" = 1' 0"



OX 6 9/16 inch Jambs

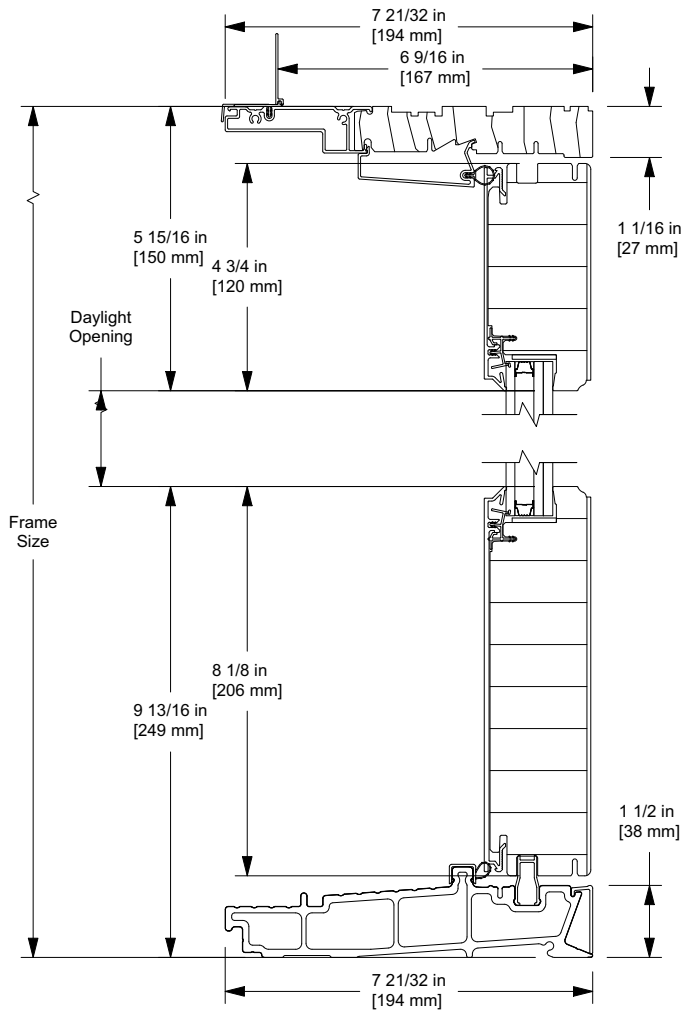
**IZ3 Section Details: Operating (2 1/4" Panels, Horizontal)**

Scale: 1 1/2" = 1' 0"

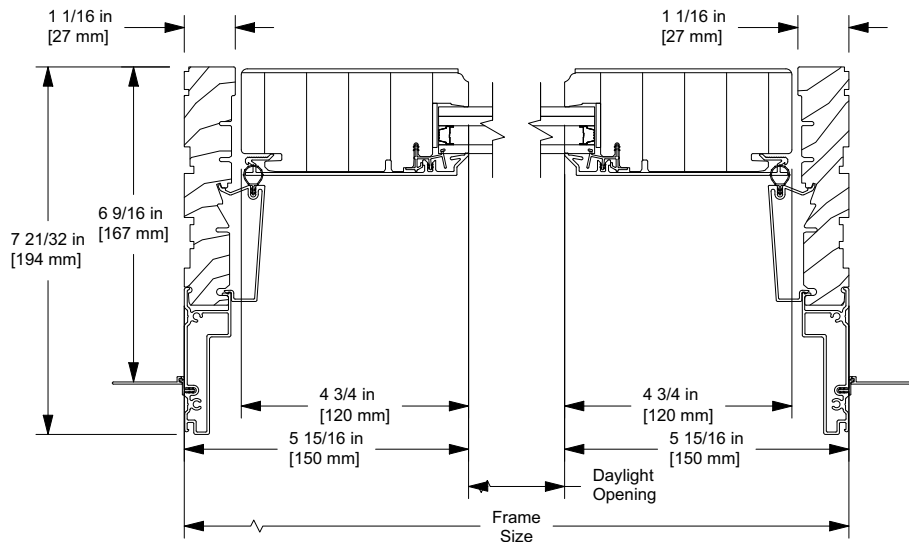


**IZ3 Section Details: Stationary (2 1/4" Panels)**

Scale: 3" = 1' 0"



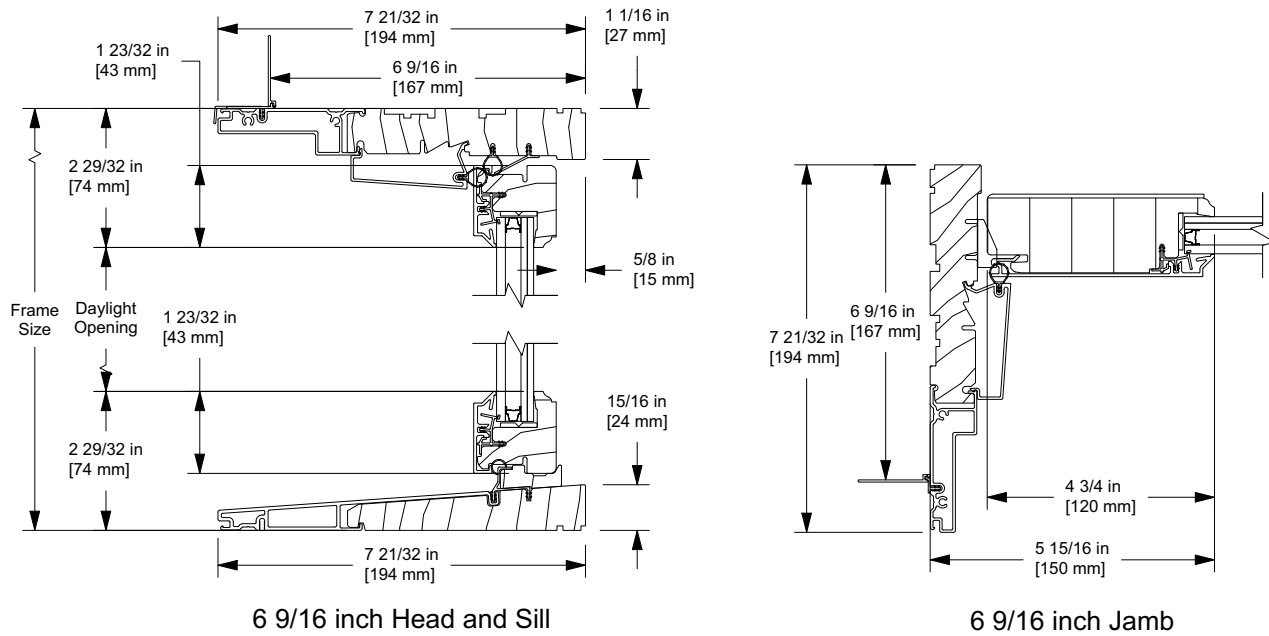
**O 6 9/16 inch Head and Sill**



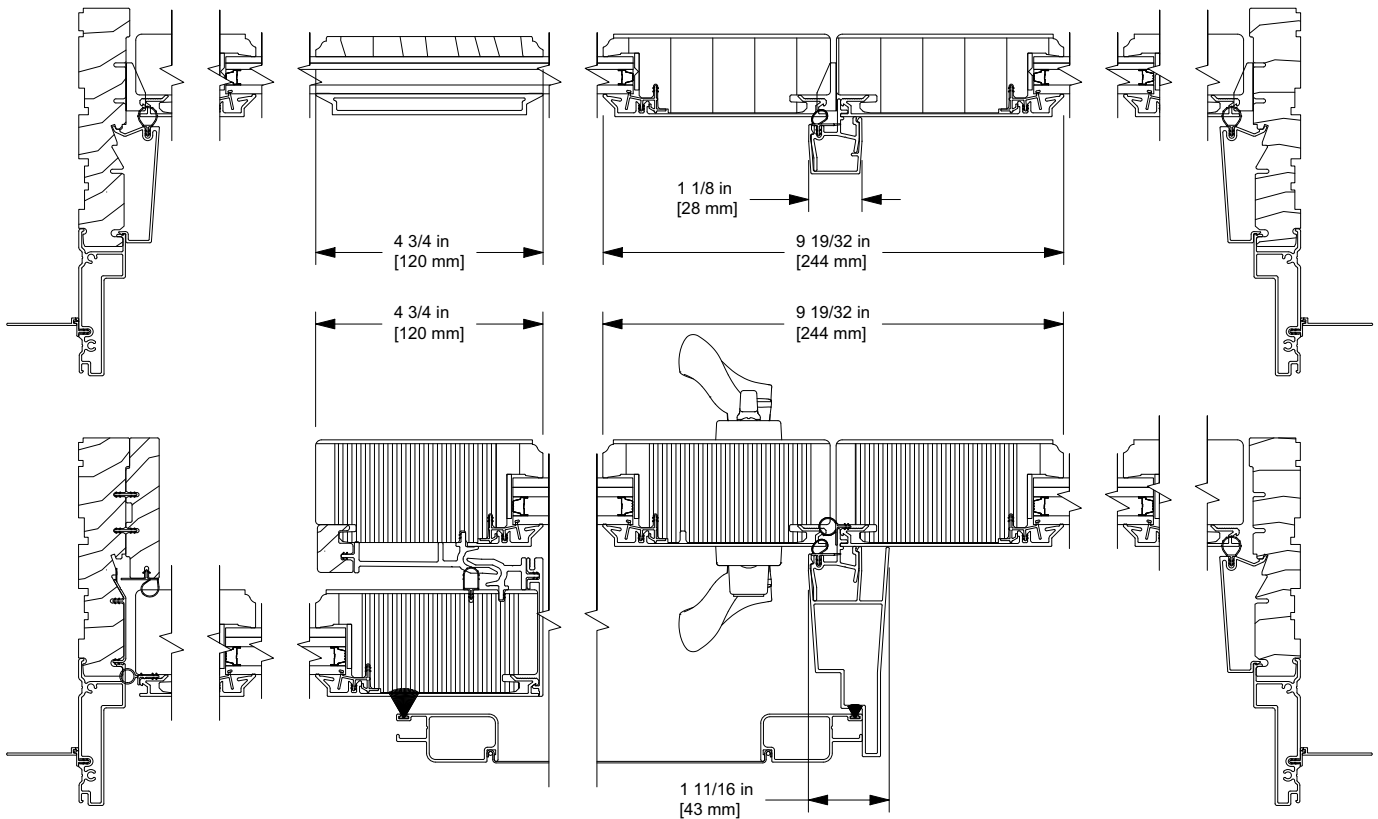
**O 6 9/16 inch Jamb**

**IZ3 Section Details: Transoms (2 1/4" Panels)**

Scale: 3" = 1' 0"

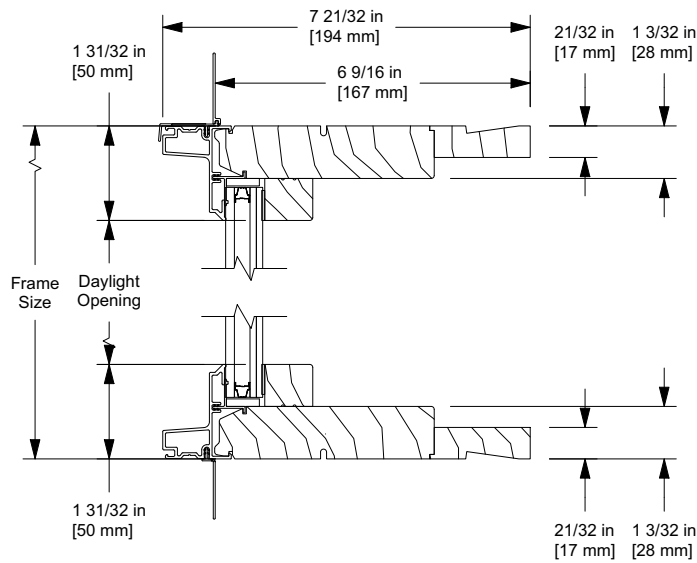


**1 Frame/2 Sash IZ3 Transom Aligned over IZ3 OXO Left Hand Door**  
 Transom 4 3/4 inch SDL Bar Aligned over USFD G2 Interlock Stiles  
 Transom Meeting Stiles Aligned over USFD G2 Meeting Stiles

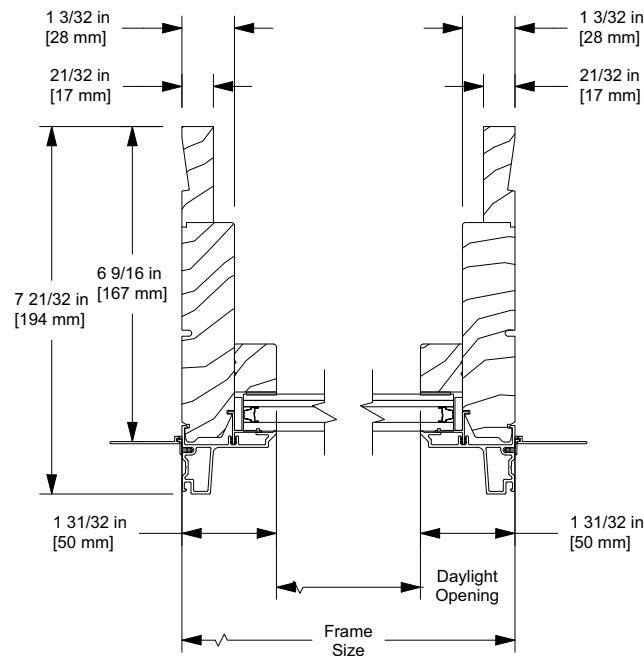


**IZ3 Section Details: Direct Glaze Transoms (2 1/4" Panels)**

Scale: 3" = 1' 0"



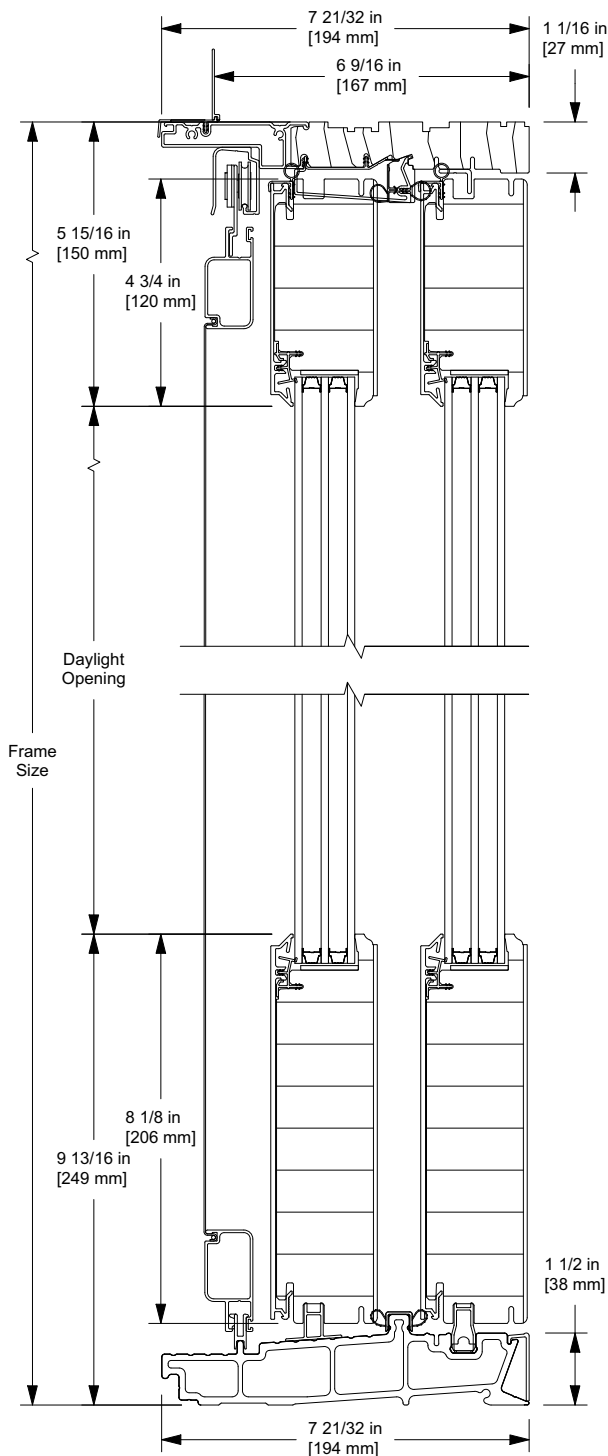
**6 9/16 inch Head and Sill**



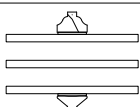
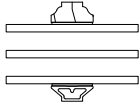
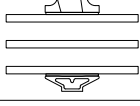
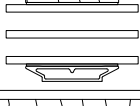
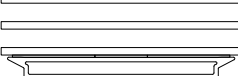
**6 9/16 inch Jambs**

**Section Details: Operating Tripane (2 1/4" Panels, Standard: Ogee Interior Glazing Profile)**

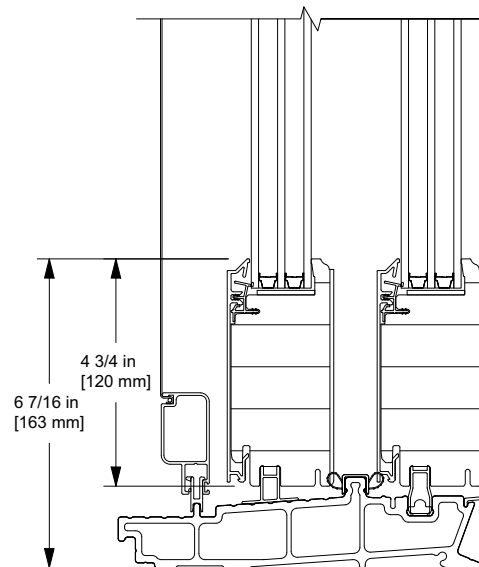
Scale: 3" = 1' 0"



**Standard Rails**  
 Top Rail: 4 3/4 inch  
 Bottom Rail: 8 1/8 inch  
 Interior: Ogee  
 Exterior: Simulated Putty

Ogee Interior and Simulated Putty Exterior Divided Lites	
SDL	No Spacer Bar
5/8 in [16 mm]	
7/8 in [22 mm]	
1 1/8 in [29 mm]	
1 15/16 in [49 mm]	
4 3/4 in [120 mm] *	

\* 4 3/4 inch Available for Transom Simulated Stiles Only



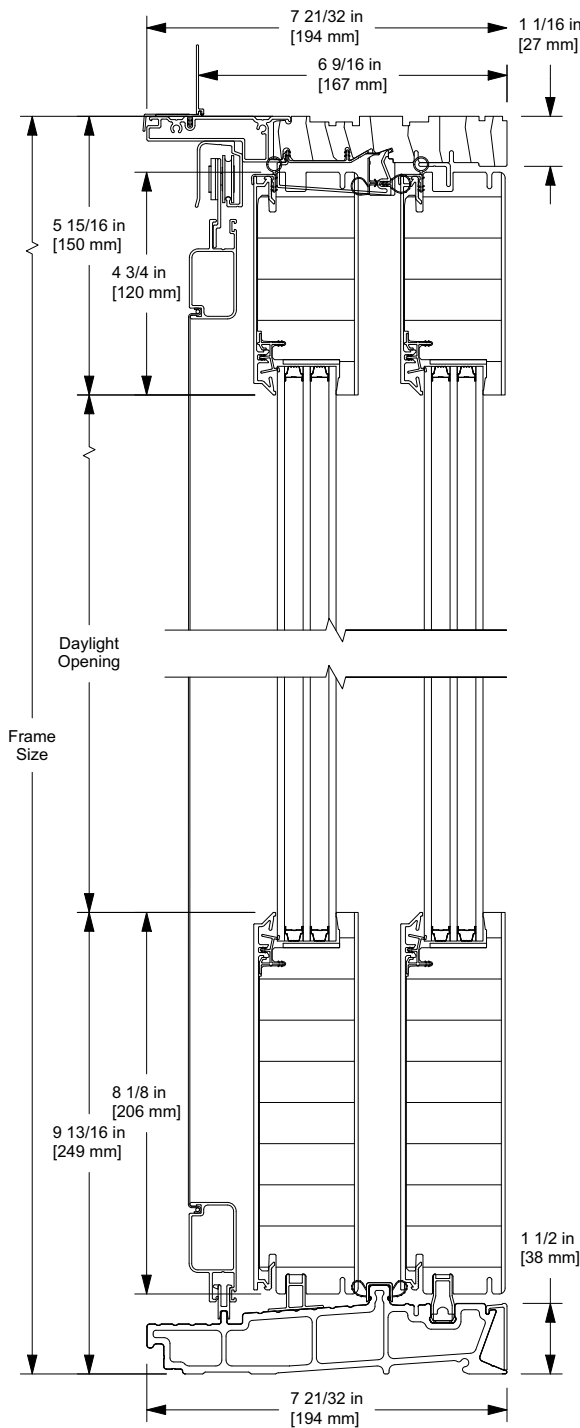
**Optional Rails**  
 Bottom Rail: 4 3/4 inch

**NOTE:** Due to the inherent qualities of tempered glass, daylight gaps may be seen when using simulated divided lite bars. Daylight gaps could be visible between the internal spacer bar and surface applied bars when viewing from an acute angle to the glass on the following applications:

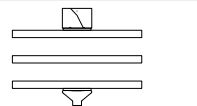
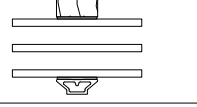
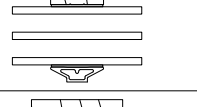
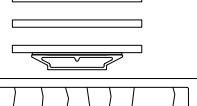
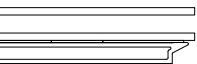
- Tempered glass over 72" high while using 5/8" SDL bars
- Tempered glass over 91" high while using 7/8" SDL bars.

**Section Details: Operating Tripane (2 1/4" Panels, Optional: Square Interior Glazing Profile)**

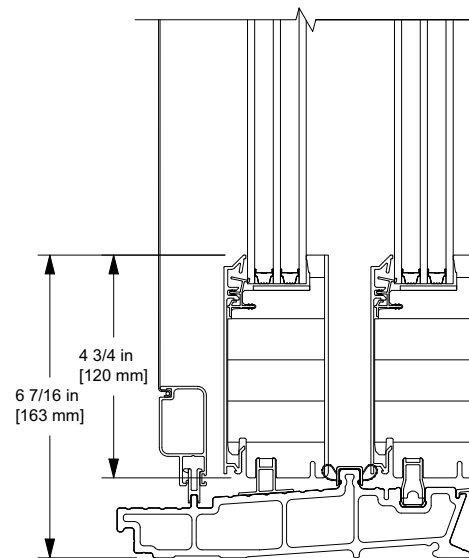
Scale: 3" = 1' 0"



**Standard Rails**  
 Top Rail: 4 3/4 inch  
 Bottom Rail: 8 1/8 inch  
 Interior: Square  
 Exterior: Simulated Putty

Square Interior and Simulated Putty Exterior Divided Lites	
SDL	No Spacer
5/8 in [16 mm]	
7/8 in [22 mm]	
1 1/8 in [29 mm]	
1 15/16 in [49 mm]	
4 3/4 in [120 mm] *	

\* 4 3/4 inch Available for Transom Simulated Stiles Only



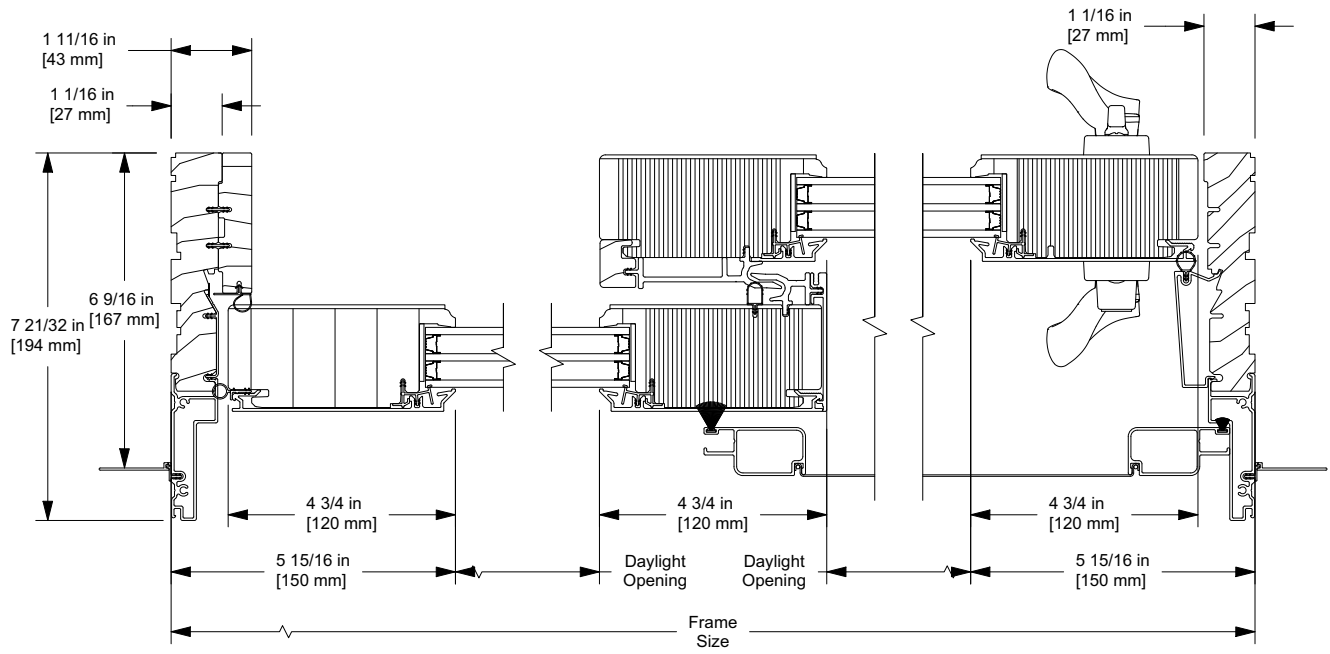
**Optional Rails**  
 Bottom Rail: 4 3/4 inch

**NOTE:** Due to the inherent qualities of tempered glass, daylight gaps may be seen when using simulated divided lite bars. Daylight gaps could be visible between the internal spacer bar and surface applied bars when viewing from an acute angle to the glass on the following applications:

- Tempered glass over 72" high while using 5/8" SDL bars
- Tempered glass over 91" high while using 7/8" SDL bars.

**Section Details: Operating Tripane (2 1/4" Panels, Horizontal)**

Scale: 3" = 1' 0"

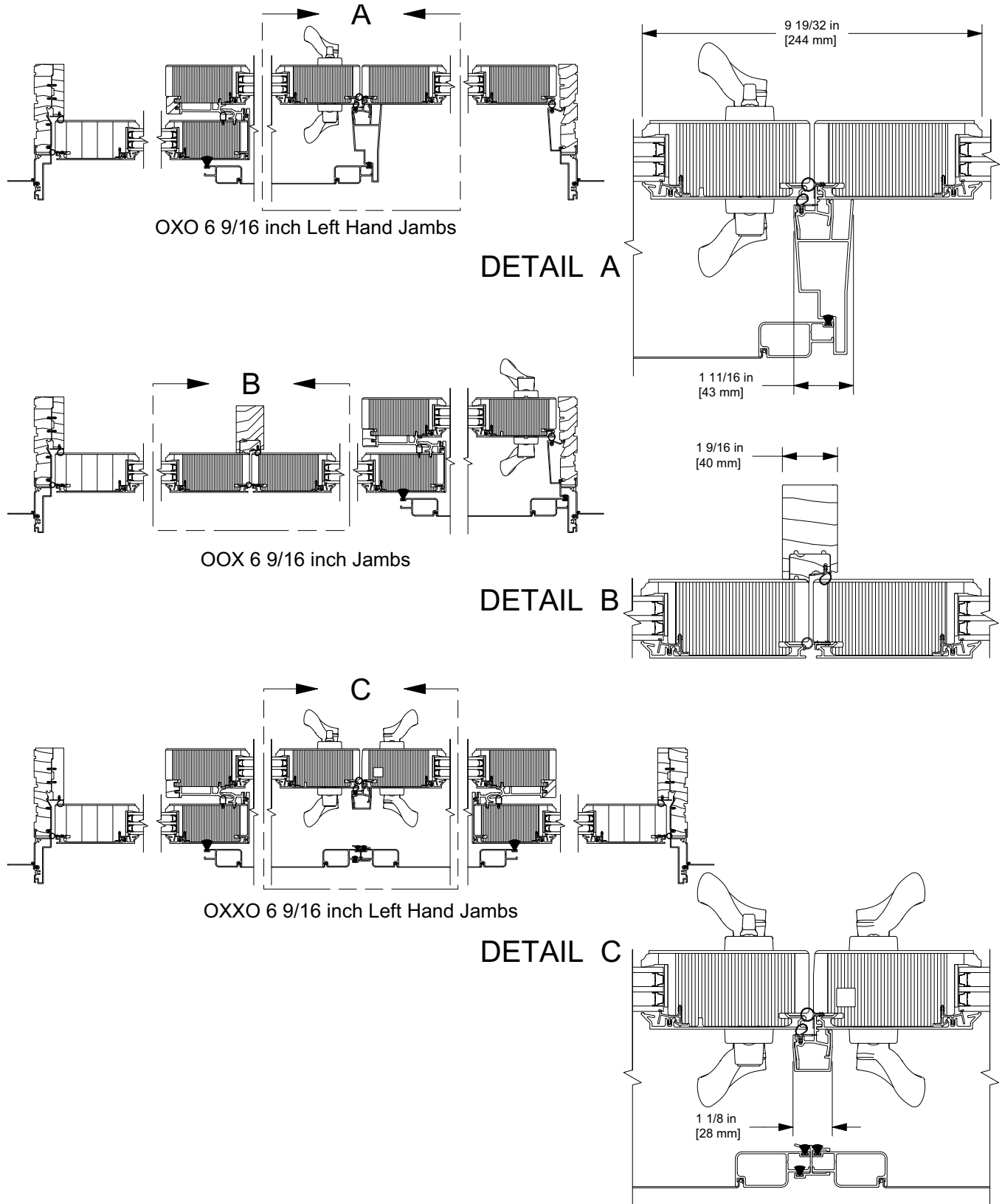


OX 6 9/16 inch Jamb



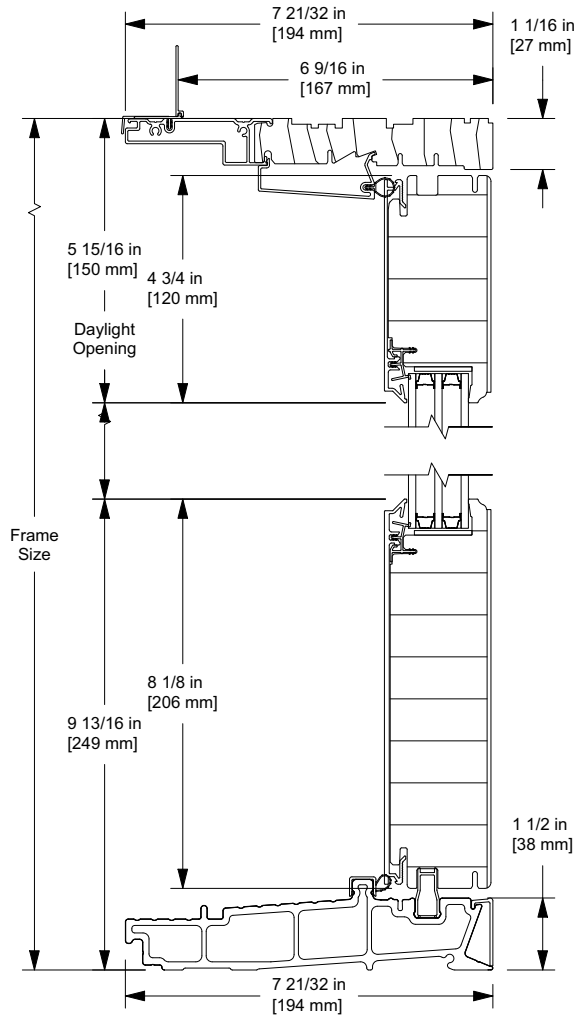
**Section Details: Operating Tripane (2 1/4" Panels, Horizontal)**

Scale: 1 1/2" = 1' 0"

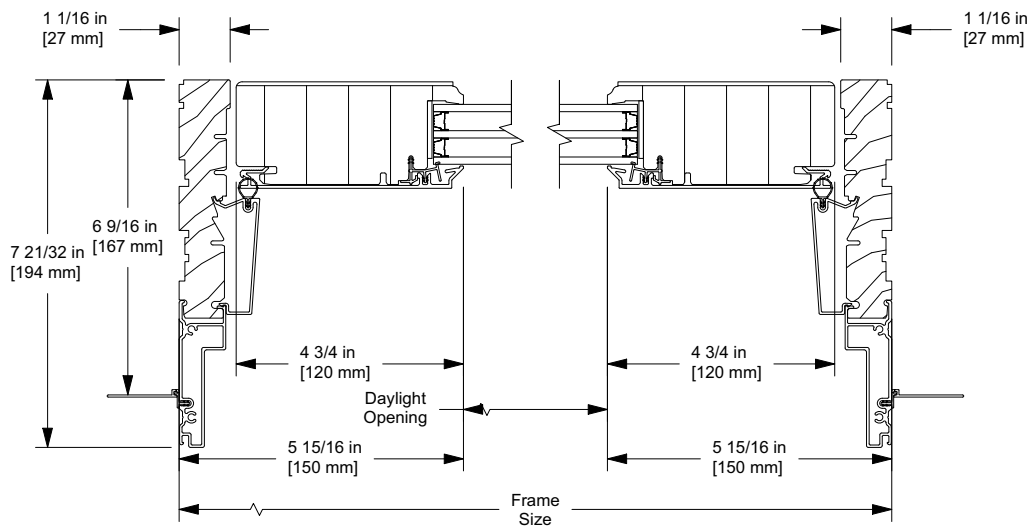


**Section Details: Stationary Tripane (2 1/4" Panels)**

Scale: 3" = 1' 0"



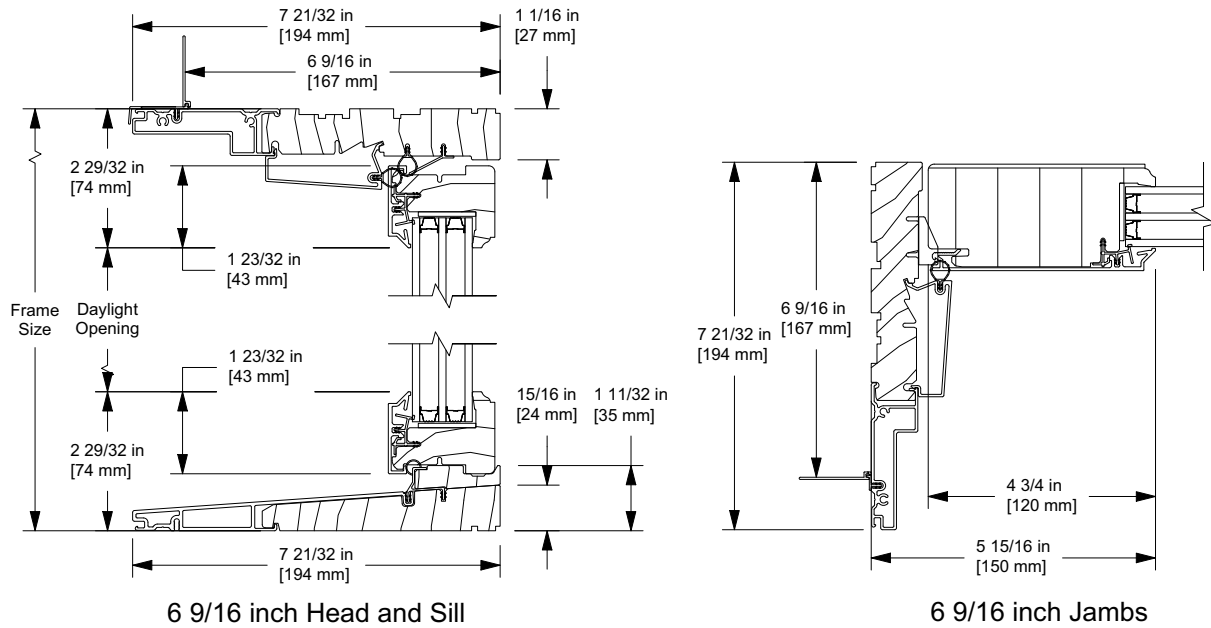
**O 6 9/19 inch Head and Sill**



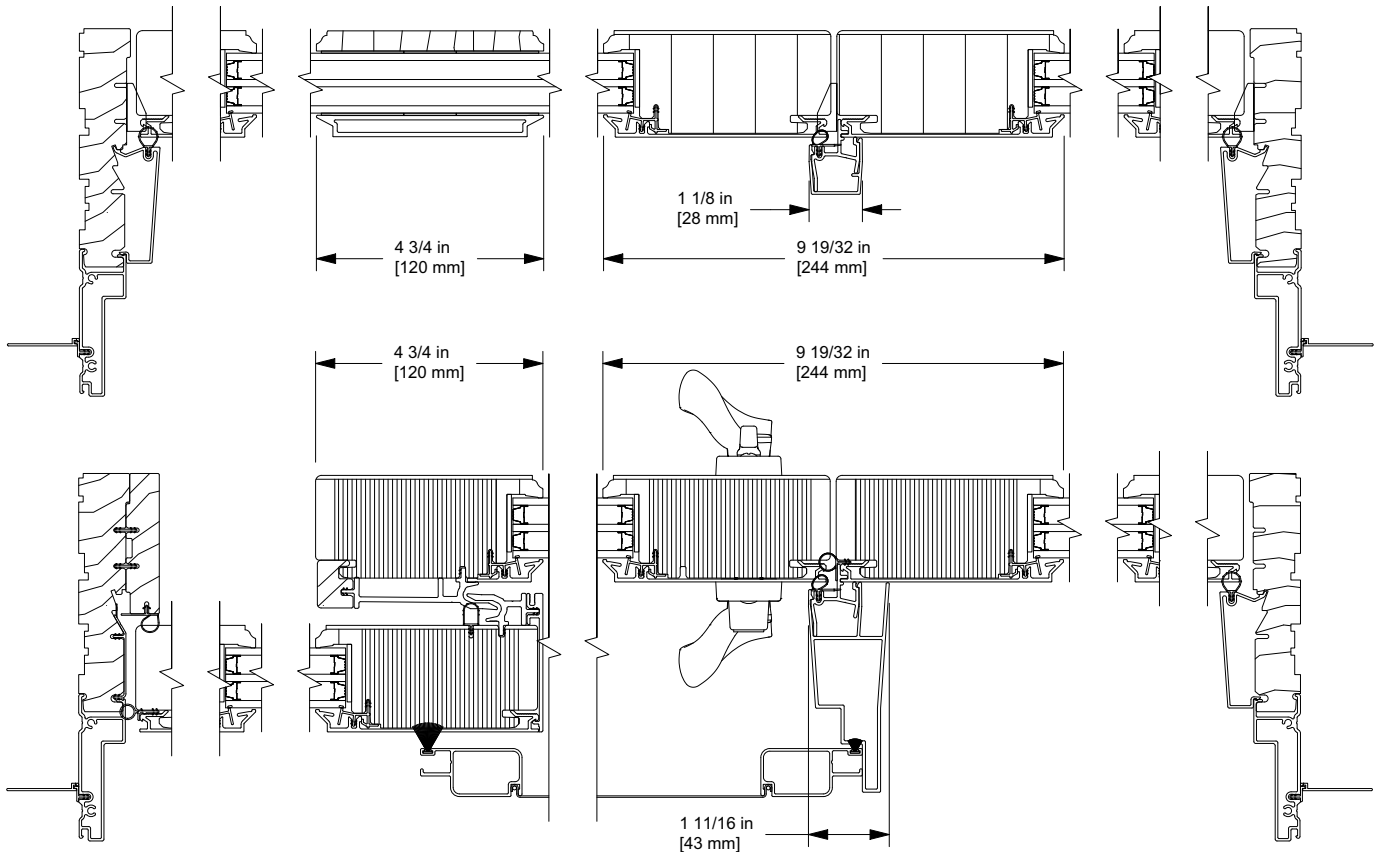
**O 6 9/16 inch Jamb**

**Section Details: Transoms Tripane (2 1/4" Panels)**

Scale: 3" = 1' 0"



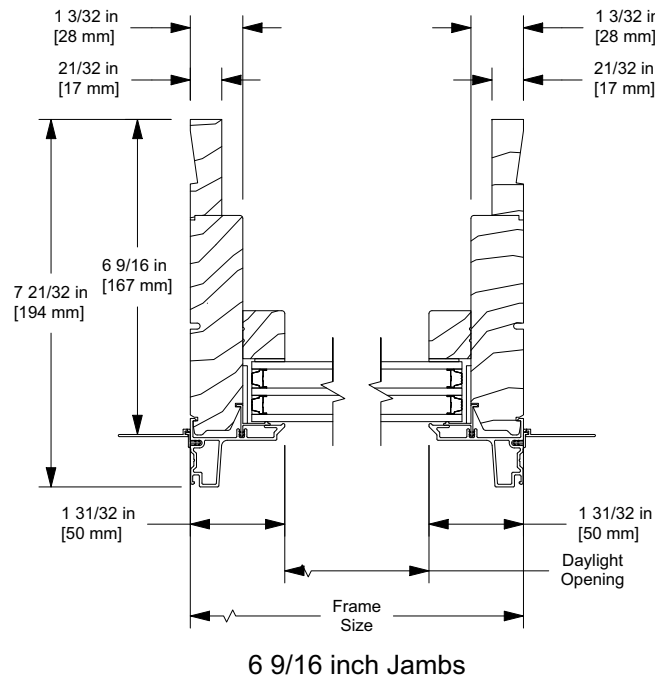
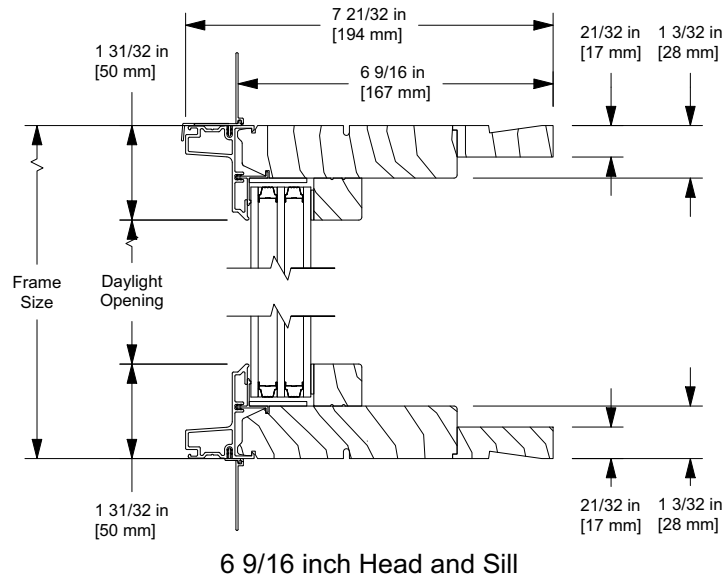
**1 Frame/2 Sash Transom Aligned over OXO Left Hand Door**  
 Transom 4 3/4 inch SDL Bar Aligned over USFD G2 Interlock Stiles  
 Transom Meeting Stiles Aligned over USFD G2 Meeting Stiles



*NOTE: Transom panels are 1 3/4" panels when used above 2 1/4" doors, unless the transom contains triple-pane glass.*

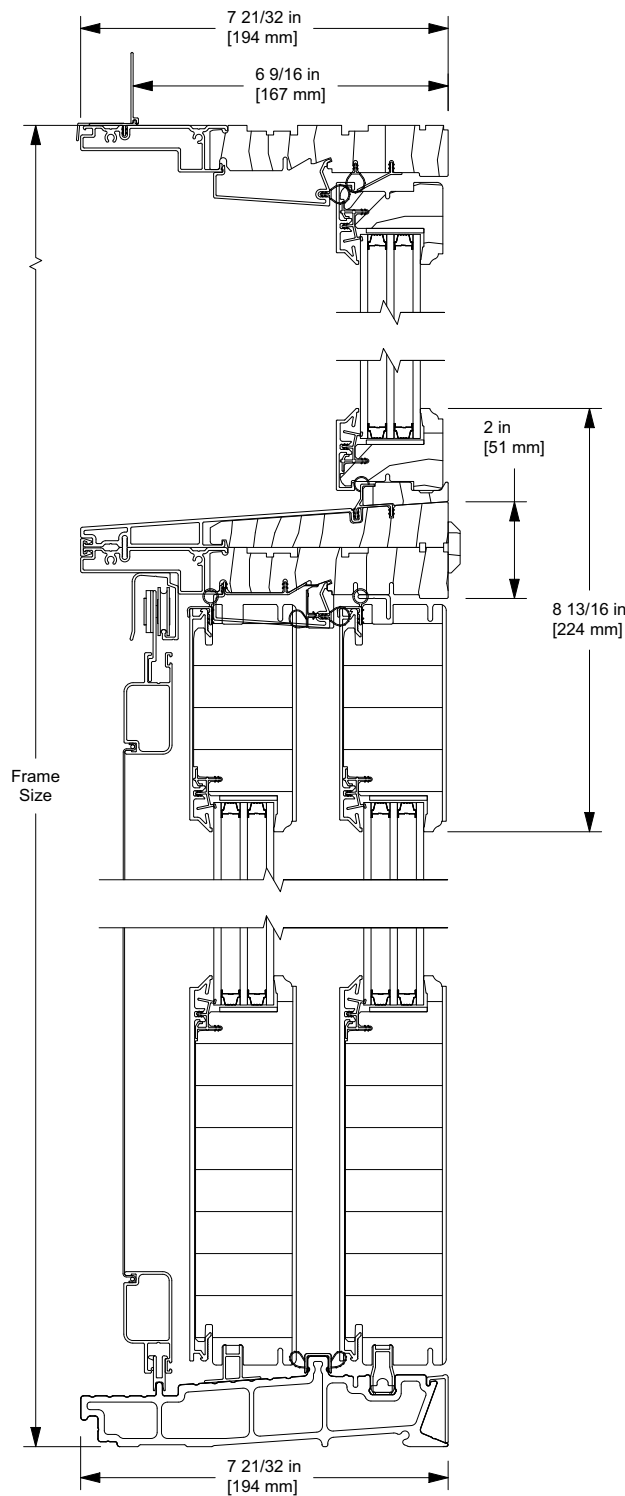
**Section Details: Direct Glaze Transoms (2 1/4" Panels)**

Scale: 3" = 1' 0"

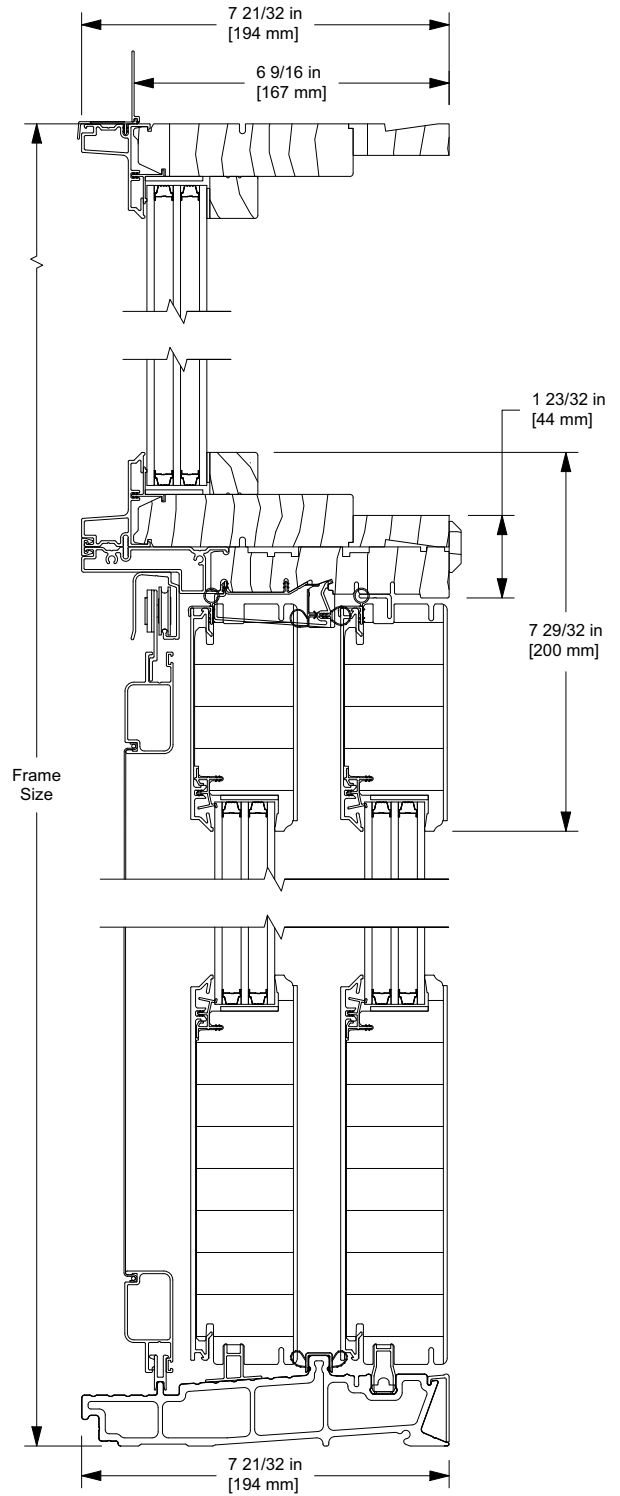


**Section Details: Transom Tripane Mull (2 1/4" Panels)**

Scale: 3" = 1' 0"



**6 9/16 inch In Sash Transom  
Mulled over USFD2.25 G2**



**6 9/16 inch Direct Glaze Transom  
Mulled over USFD2.25 G2**