

# Ultimate Inswing Door (3" Stiles)

|  |    |
|--|----|
| Unit Features.....   | 1  |
| Standard Divided Lite Options.....                                       | 3  |
| Inswing Handing Configurations.....                                      | 4  |
| Standard Unit Measurements.....  | 5  |
| Standard Unit Measurement - In-Sash Transom.....                         | 6  |
| Standard Unit Measurements: Ultimate Direct Glaze Rectangle/Transom..... | 7  |
| Certified Sizes and Ratings.....   | 8  |
| Minimum and Maximum Guidelines - Doors and In-Sash Transom.....          | 9  |
| Measurement Conversions.....   | 10 |
| Net Clear Openings: Inswing Units.....                                   | 11 |
| Inswing Section Details: Sill Options.....                               | 12 |
| Inswing Section Details: Operating.....                                  | 13 |
| Inswing Section Details: Operating IZ3.....                              | 14 |
| Inswing Section Details: Operating (Tripane).....                        | 15 |
| Inswing Section Details: Stationary.....                                 | 16 |
| Inswing Section Details: High Performance (HP).....                      | 17 |
| Inswing Section Details: Stationary IZ3.....                             | 18 |
| Inswing Section Details: In-Sash Transom (1 3/4 Panels).....             | 19 |
| Inswing Section Details: In-Sash Transom IZ3 (1 3/4 Panels).....         | 20 |
| Inswing Section Details: In-Sash Transom (Tripane).....                  | 21 |
| Inswing Section Details: Direct Glaze Transom.....                       | 22 |
| Inswing Section Details: Direct Glaze Transom IZ3.....                   | 23 |
| Inswing Section Details: Ultimate Sliding Screen.....                    | 24 |
| Inswing Section Details: Ultimate Swinging Screen.....                   | 25 |
| Inswing Section Details: In-Sash Transom Configurations.....             | 26 |
| Inswing Section Details: Casing Options.....                             | 27 |



## Unit Features

### Abbreviations:

UID2.25: Ultimate Inswing Door 2 1/4"

UID2.25 IZ3: Ultimate Inswing Door 2 1/4" IZ3

### Frame:

- Frame thickness: 1 1/16" (27)
- Jamb Depth: 6 9/16" (167)
- Sill
  - Standard: Performance sill
    - Fiberglass reinforced pultruded sill with water shed and weep system
    - Color: Ebony
  - Optional: Accessibility Sill
    - Fiberglass reinforced pultruded sill with water shed and weep system
    - Reduced resistance to air and water infiltration, relative to Standard Performance Sill
    - Reduces standard CN height by 1/2"
    - Color: Ebony
    - Not ADA compliant as delivered.

### Panel:

- Panel thickness: 2 1/4" (57)
  - Top rail heights and stile width: 3" (76)
  - Bottom rail height: 3" (76)
  - All stiles and rails use LVL core for all species
- Interior glazing profile: Square (with Square exterior glazing profile)
  - Optional interior glazing profile: Ogee (with Simulated Putty exterior glazing profile)

### Hardware:

- Multi-point lock: applied to active and inactive panels, 1 3/8" (35) backset, with latch engagement and three locking points, with options of non-keyed or keyed alike.
  - Dead bolt
  - Head jamb bolt
  - Sill bolt

### Handle Set:

- Minimalist handle set finish options:
  - Painted finishes: Matte Black, Dark Bronze,
  - PVD finishes: Oil-Rubbed Bronze, Satin Nickel
- Narrow Contemporary handle set finish options:
  - Painted finishes: Matte Black, Dark Bronze,
  - PVD finishes: Oil-Rubbed Bronze, Satin Nickel
- Gallery Collection Hardware
  - Bouvet
  - Rocky Mountain Hardware
  - Reference [marvin.com](http://marvin.com).

### Hinges:

- Adjustable hinges
  - Powder coat finish: Dark Bronze, Matte Black
  - PVD finishes: Oil Rubbed Bronze PVD, Satin Nickel PVD
  - Dimensions are 4 1/4"(108) x 3 3/4"(95) with 3/8"(10) radius corners
    - Adjustment is 3/16"(5) for horizontal and vertical of panels in frame
  - Quantity per panel
    - up to CN80 height = three hinges per panel
    - Greater than CN80 height and up to CN90 height = four hinges per panel
    - Greater than CN90 height = five hinges per panel

---

**Unit Features****Lock Status Sensor (Optional):**

- Refer to **Lock Status Sensor Installation Instructions** for requirements.
- To achieve a closed and locked status, The Lock Status Sensor requires that the door must be closed to depress the anti-slam mechanism so that the door can be manually locked. It allows easy integration with home automation systems using a wireless connection.
  - Requires purchase of secondary transmitter for operation. Marvin will prep for this option. Wired connection not available.
- Wireless Lock Status Sensor is located within the width and height of the operating panel.
- Sensor Location will always be integrated into the locking hardware system.

**Optional Screens:**

- Ultimate sliding screen
  - Pull includes internal locking mechanism
    - Color: Black
  - Screen color will match exterior frame color of clad units
  - Standard screen mesh: charcoal fiberglass
  - Screen Mesh: Marvin BrightView™, Options: Charcoal Aluminum Wire, Black Aluminum Wire, Bright Aluminum Wire, Bright Bronze Wire
- Ultimate swinging screen
  - Four concealed hinges per panel are factory installed within the Z-bar
  - Handle includes latch with exterior handle and internal locking mechanism
    - Standard is contemporary exterior handle with option of traditional exterior handle
    - Colors: Bronze, Satin Nickel, Brass, or Satin Taupe
  - Screen color will match exterior frame color of clad units
  - Screen Mesh: Marvin BrightView™, Options: Charcoal Aluminum Wire, Black Aluminum Wire, Bright Aluminum Wire, Bright Bronze Wire

---

**Unit Features****Glass and Glazing:**

- Glazing seal: Silicone glazed
- Standard glass: Insulating Dual Pane Low E2 with Argon or Air
- Dual-pane insulating glass thickness: 15/16"
- Triple-pane insulating glass thickness: 1 1/4".
- Insulating glass coatings
  - Low E1
  - Low E2
  - Low E3
  - Low ERS
  - Low ELR
- Available glass types:
  - Laminated
  - Tempered
  - Obscure
- Tints:
  - Bronze
  - Gray
  - Green
  - Reflective Bronze
- Decorative glass options:
  - Frost
  - 1/2 English Reed
  - Rain
  - Sandblasted
  - Glue Chip
- All glass is of select quality complying with ASTM C 1036. Tempered or Laminated safety glazing per CPSC 16 CFR 1201. Insulating glass is manufactured and tested to pass level ASTM 2190 and is IGCC certified.
- IZ3 product requires laminated and tempered glass
- For additional specialty glazing options, please contact your Marvin representative.

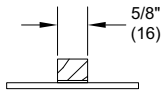
**Weather Strip:**

- Weather strip at all panel perimeter points
  - Color: Black

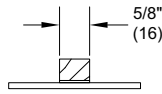
**Mulling:**

- For mull performance, refer to the General Mulling chapter of the ADM.

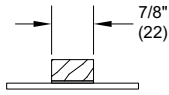
**Standard Divided Lite Options**



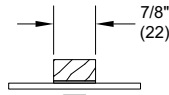
5/8" SDL



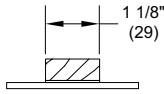
5/8" SDL  
W/Spacer



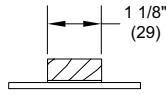
7/8" SDL



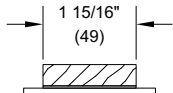
7/8" SDL  
W/Spacer Bar



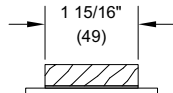
1 1/8" SDL



1 1/8" SDL  
W/Spacer Bar



1 15/16" SDL

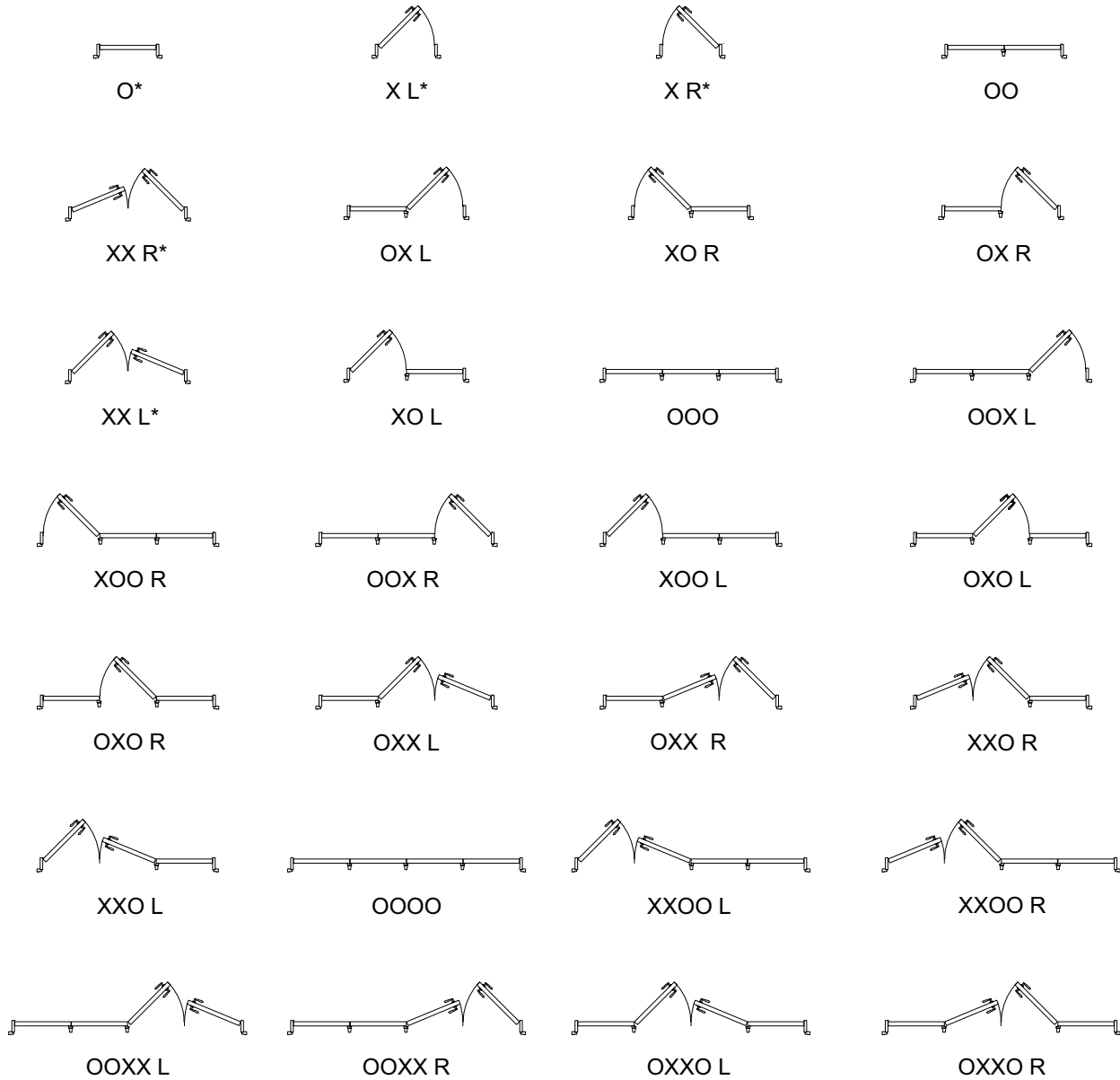


1 15/16" SDL  
W/Two Spacer Bars

*NOTE: Due to the inherent qualities of tempered glass, daylight gaps may be seen when using simulated divided lite bars. Daylight gaps could be visible between the internal spacer bar and surface applied bars when viewing from an acute angle to the glass on the following applications:*

- Tempered glass over 72" high while using 5/8" SDL bars
- Tempered glass over 91" high while using 7/8" SDL bars.

**Inswing Handing Configurations**



*NOTE: Configuration available with equal or unequal width panels.*

\* IZ3 available on O, X, and XX configurations.

Standard Unit Measurements

| Standard Inswing and Outswing Unit Measurements |       |                 |        |               |        |            |        |           |        |                      |        |                     |        |
|---|-------|-----------------|--------|---------------|--------|------------|--------|-----------|--------|----------------------|--------|---------------------|--------|
| Width   |       |                 |        |               |        |            |        |           |        |                      |        |                     |        |
| Unit Type                                       | CN    | Masonry Opening |        | Rough Opening |        | Frame Size |        | Panel OM  |        | Daylight Std Opening |        | Standard Glass Size |        |
|   |       | ft - in         | mm     | ft - in       | mm     | ft - in    | mm     | ft-in     | mm     | ft - in              | mm     | in                  | mm     |
| 1 Panel   | 1-6   | 1-8 11/32       | (517)  | 1-8 27/32     | (529)  | 1-7 27/32  | (504)  | 1-5 15/32 | (444)  | 0-11 1/2             | (292)  | 12 3/4              | (324)  |
|   | 2-6R  | 2-7 1/8         | (791)  | 2-7 5/8       | (803)  | 2-6 5/8    | (778)  | 2-4 1/4   | (718)  | 1-10 9/32            | (566)  | 23 17/32            | (598)  |
|   | 3-0R  | 3-1 1/8         | (943)  | 3-1 5/8       | (956)  | 3-0 5/8    | (930)  | 2-10 1/4  | (870)  | 2-4 9/32             | (718)  | 29 17/32            | (750)  |
|   | 2-0   | 2-1 15/16       | (659)  | 2-2 7/16      | (672)  | 2-1 7/16   | (646)  | 1-11 1/16 | (586)  | 1-5 3/32             | (434)  | 18 11/32            | (466)  |
|   | 2-6   | 2-7 15/16       | (811)  | 2-8 7/16      | (824)  | 2-7 7/16   | (799)  | 2-5 1/16  | (738)  | 1-11 3/32            | (587)  | 24 11/32            | (618)  |
|   | 2-8   | 2-9 15/16       | (862)  | 2-10 7/16     | (875)  | 2-9 7/16   | (849)  | 2-7 1/16  | (789)  | 2-1 3/32             | (637)  | 26 11/32            | (669)  |
|   | 3-0   | 3-1 15/16       | (964)  | 3-2 7/16      | (976)  | 3-1 7/16   | (951)  | 2-11 1/16 | (891)  | 2-5 3/32             | (739)  | 30 11/32            | (771)  |
|   | 3-6   | 3-7 15/16       | (1116) | 3-8 7/16      | (1129) | 3-7 7/16   | (1103) | 3-5 1/16  | (1043) | 2-11 3/32            | (891)  | 36 11/32            | (923)  |
| 2 Panel   | 5-0R* | 4-11 1/2        | (1511) | 5-0           | (1524) | 4-11       | (1499) | 2-4 1/4   | (718)  | 1-10 9/32            | (566)  | 23 17/32            | (598)  |
|   | 6-0R* | 5-11 1/2        | (1816) | 6-0           | (1829) | 5-11       | (1803) | 2-10 1/4  | (870)  | 2-4 9/32             | (718)  | 29 17/32            | (750)  |
|   | 4-0   | 4-1 1/8         | (1248) | 4-1 5/8       | (1260) | 4-0 5/8    | (1235) | 1-11 1/16 | (586)  | 1-5 3/32             | (434)  | 18 11/32            | (466)  |
|   | 5-0   | 5-1 1/8         | (1553) | 5-1 5/8       | (1565) | 5-0 5/8    | (1540) | 2-5 1/16  | (738)  | 1-11 3/32            | (587)  | 24 11/32            | (618)  |
|   | 5-4   | 5-5 1/8         | (1654) | 5-5 5/8       | (1667) | 5-4 5/8    | (1641) | 2-7 1/16  | (789)  | 2-1 3/32             | (637)  | 26 11/32            | (669)  |
|   | 6-0   | 6-1 1/8         | (1857) | 6-1 5/8       | (1870) | 6-0 5/8    | (1845) | 2-11 1/16 | (891)  | 2-5 3/32             | (739)  | 30 11/32            | (771)  |
|   | 7-0   | 7-1 1/8         | (2162) | 7-1 5/8       | (2175) | 7-0 5/8    | (2149) | 3-5 1/16  | (1043) | 2-11 3/32            | (891)  | 36 11/32            | (923)  |
| 3 Panel   | 9-0R  | 8-9 7/8         | (2689) | 8-10 3/8      | (2702) | 8-9 3/8    | (2677) | 2-10 1/4  | (870)  | 2-4 9/32             | (718)  | 29 17/32            | (750)  |
|   | 6-0   | 6-0 5/16        | (1837) | 6-0 13/16     | (1849) | 5-11 13/16 | (1824) | 1-11 1/16 | (586)  | 1-5 3/32             | (434)  | 18 11/32            | (466)  |
|   | 7-6   | 7-6 5/16        | (2294) | 7-6 13/16     | (2307) | 7-5 13/16  | (2281) | 2-5 1/16  | (738)  | 1-11 3/32            | (587)  | 24 11/32            | (618)  |
|   | 8-0   | 8-0 5/16        | (2446) | 8-0 13/16     | (2459) | 7-11 13/16 | (2434) | 2-7 1/16  | (789)  | 2-1 3/32             | (637)  | 26 11/32            | (669)  |
|   | 9-0   | 9-0 5/16        | (2751) | 9-0 13/16     | (2764) | 8-11 13/16 | (2738) | 2-11 1/16 | (891)  | 2-5 3/32             | (739)  | 30 11/32            | (771)  |
|   | 10-6  | 10-6 5/16       | (3208) | 10-6 13/16    | (3221) | 10-5 13/16 | (3196) | 3-5 1/16  | (1043) | 2-11 3/32            | (891)  | 36 11/32            | (923)  |
| 4 Panel   | 8-0   | 7-11 1/2        | (2426) | 8-0           | (2438) | 7-11       | (2413) | 1-11 1/16 | (586)  | 1-5 3/32             | (434)  | 18 11/32            | (466)  |
|   | 10-0  | 9-11 1/2        | (3035) | 10-0          | (3048) | 9-11       | (3023) | 2-5 1/16  | (738)  | 1-11 3/32            | (587)  | 24 11/32            | (618)  |
|   | 10-8  | 10-7 1/2        | (3239) | 10-8          | (3251) | 10-7       | (3226) | 2-7 1/16  | (789)  | 2-1 3/32             | (637)  | 26 11/32            | (324)  |
|   | 12-0  | 11-11 1/2       | (3645) | 12-0          | (3658) | 11-11      | (3632) | 2-11 1/16 | (891)  | 2-5 3/32             | (739)  | 30 11/32            | (771)  |
|   | 14-0  | 13-11 1/2       | (4255) | 14-0          | (4267) | 13-11      | (4242) | 3-5 1/16  | (1043) | 2-11 3/32            | (891)  | 36 11/32            | (923)  |
| Height  |       |                 |        |               |        |            |        |           |        |                      |        |                     |        |
| Unit Type                                       | CN    | Masonry Opening |        | Rough Opening |        | Frame Size |        | Panel OM  |        | Daylight Std Opening |        | Standard Glass Size |        |
|   |       | ft - in         | mm     | ft - in       | mm     | ft - in    | mm     | ft-in     | mm     | ft - in              | mm     | in                  | mm     |
| All Configurations                              | 6-6R  | 6-7 3/4         | (2026) | 6-8           | (2032) | 6-7 1/2    | (2019) | 6-4 39/64 | (1946) | 5-10 41/64           | (1619) | 71 61/64            | (1652) |
|   | 6-8   | 6-10 1/4        | (2089) | 6-10 1/2      | (2096) | 6-10       | (2083) | 6-7 7/64  | (2009) | 6-1 9/64             | (1682) | 74 29/64            | (1716) |
|   | 7-0   | 7-2 1/4         | (2191) | 7-2 1/2       | (2197) | 7-2        | (2184) | 6-11 7/64 | (2111) | 6-5 9/64             | (1784) | 78 29/64            | (1817) |
|   | 8-0   | 8-2 1/4         | (2496) | 8-2 1/2       | (2502) | 8-2        | (2489) | 7-11 7/64 | (2416) | 7-5 9/64             | (2089) | 90 29/64            | (2122) |
|   | 9-0   | 9-2 1/4         | (2800) | 9-2 1/2       | (2807) | 9-2        | (2794) | 8-11 7/64 | (2721) | 8-5 9/64             | (2394) | 102 29/64           | (2427) |
|   | 10-0  | 10-2 1/4        | (3105) | 10-2 1/2      | (3112) | 10-2       | (3099) | 9-11 7/64 | (3025) | 9-5 9/64             | (2698) | 114 29/64           | (2732) |



Standard Unit Measurement - In-Sash Transom

| Standard Ultimate Inswing/Outswing Door In-Sash Transom Unit Measurements |             |                 |        |               |        |            |        |           |        |                  |        |            |        |
|---|-------------|-----------------|--------|---------------|--------|------------|--------|-----------|--------|------------------|--------|------------|--------|
| Width   |             |                 |        |               |        |            |        |           |        |                  |        |            |        |
| Unit Type   | Call Number | Masonry Opening |        | Rough Opening |        | Frame Size |        | Sash OM   |        | Daylight Opening |        | Glass Size |        |
|   |             | ft - in         | mm     | ft - in       | mm     | ft - in    | mm     | ft-in     | mm     | ft - in          | mm     | ft - in    | mm     |
| 1 Sash<br>1 Frame   | 1-6         | 1-8 11/32       | (517)  | 1-8 27/32     | (529)  | 1-7 27/32  | (504)  | 1-5 15/32 | (444)  | 0-11 1/2         | (292)  | 1-0 3/4    | (324)  |
|   | 2-0         | 2-1 15/16       | (659)  | 2-2 7/16      | (672)  | 2-1 7/16   | (646)  | 1-11 1/16 | (586)  | 1-5 3/32         | (434)  | 1-6 11/32  | (466)  |
|   | 2-6         | 2-7 15/16       | (811)  | 2-8 7/16      | (824)  | 2-7 7/16   | (799)  | 2-5 1/16  | (738)  | 1-11 3/32        | (587)  | 2-0 11/32  | (618)  |
|   | 2-8         | 2-9 15/16       | (862)  | 2-10 7/16     | (875)  | 2-9 7/16   | (849)  | 2-7 1/16  | (789)  | 2-1 3/32         | (637)  | 2-2 11/32  | (669)  |
|   | 3-0         | 3-1 15/16       | (964)  | 3-2 7/16      | (976)  | 3-1 7/16   | (951)  | 2-11 1/16 | (891)  | 2-5 3/32         | (739)  | 2-6 11/32  | (771)  |
|   | 3-6         | 3-7 15/16       | (1116) | 3-8 7/16      | (1129) | 3-7 7/16   | (1103) | 3-5 1/16  | (1043) | 2-11 3/32        | (891)  | 3-0 11/32  | (923)  |
|   | 4-0         | 4-1 1/8         | (1248) | 4-1 5/8       | (1260) | 4-0 5/8    | (1235) | 3-10 1/4  | (1175) | 3-4 9/32         | (1023) | 3-5 17/32  | (1055) |
|   | 5-0         | 5-1 1/8         | (1553) | 5-1 5/8       | (1565) | 5-0 5/8    | (1540) | 4-10 1/4  | (1480) | 4-4 9/32         | (1328) | 4-5 17/32  | (1360) |
|   | 5-4         | 5-5 1/8         | (1654) | 5-5 5/8       | (1667) | 5-4 5/8    | (1641) | 5-2 1/4   | (1581) | 4-8 9/32         | (1430) | 4-9 17/32  | (1461) |
|   | 6-0         | 6-1 1/8         | (1857) | 6-1 5/8       | (1870) | 6-0 5/8    | (1845) | 5-10 1/4  | (1784) | 5-4 9/32         | (1633) | 5-5 17/32  | (1664) |
|   | 7-0         | 7-1 1/8         | (2162) | 7-1 5/8       | (2175) | 7-0 5/8    | (2149) | 6-10 1/4  | (2089) | 6-4 9/32         | (1938) | 6-5 17/32  | (1969) |
| 2 Sash<br>1 Frame   | 4-0         | 4-1 1/8         | (1248) | 4-1 5/8       | (1260) | 4-0 5/8    | (1235) | 1-11 1/16 | (586)  | 1-5 3/32         | (434)  | 1-6 11/32  | (466)  |
|   | 5-0         | 5-1 1/8         | (1553) | 5-1 5/8       | (1565) | 5-0 5/8    | (1540) | 2-5 1/16  | (738)  | 1-11 3/32        | (587)  | 2-0 11/32  | (618)  |
|   | 5-4         | 5-5 1/8         | (1654) | 5-5 5/8       | (1667) | 5-4 5/8    | (1641) | 2-7 1/16  | (789)  | 2-1 3/32         | (637)  | 2-2 11/32  | (669)  |
|   | 6-0         | 6-1 1/8         | (1857) | 6-1 5/8       | (1870) | 6-0 5/8    | (1845) | 2-11 1/16 | (891)  | 2-5 3/32         | (739)  | 2-6 11/32  | (771)  |
|   | 7-0         | 7-1 1/8         | (2162) | 7-1 5/8       | (2175) | 7-0 5/8    | (2149) | 3-5 1/16  | (1043) | 2-11 3/32        | (891)  | 3-0 11/32  | (923)  |
| 3 Sash<br>1 Frame   | 6-0         | 6-0 5/16        | (1837) | 6-0 13/16     | (1849) | 5-11 13/16 | (1824) | 1-11 1/16 | (586)  | 1-5 3/32         | (434)  | 1-6 11/32  | (466)  |
|   | 7-6         | 7-6 5/16        | (2294) | 7-6 13/16     | (2307) | 7-5 13/16  | (2281) | 2-5 1/16  | (738)  | 1-11 3/32        | (587)  | 2-0 11/32  | (618)  |
|   | 8-0         | 8-0 5/16        | (2446) | 8-0 13/16     | (2459) | 7-11 13/16 | (2434) | 2-7 1/16  | (789)  | 2-1 3/32         | (637)  | 2-2 11/32  | (669)  |
|   | 9-0         | 9-0 5/16        | (2751) | 9-0 13/16     | (2764) | 8-11 13/16 | (2738) | 2-11 1/16 | (891)  | 2-5 3/32         | (739)  | 2-6 11/32  | (771)  |
|   | 10-6        | 10-6 5/16       | (3208) | 10-6 13/16    | (3221) | 10-5 13/16 | (3196) | 3-5 1/16  | (1043) | 2-11 3/32        | (891)  | 3-0 11/32  | (923)  |
| 4 Sash<br>1 Frame   | 8-0         | 7-11 1/2        | (2426) | 8-0           | (2438) | 7-11       | (2413) | 1-11 1/16 | (586)  | 1-5 3/32         | (434)  | 1-6 11/32  | (466)  |
|   | 10-0        | 9-11 1/2        | (3035) | 10-0          | (3048) | 9-11       | (3023) | 2-5 1/16  | (738)  | 1-11 3/32        | (587)  | 2-0 11/32  | (618)  |
|   | 10-8        | 10-7 1/2        | (3239) | 10-8          | (3251) | 10-7       | (3226) | 2-7 1/16  | (789)  | 2-1 3/32         | (637)  | 2-2 11/32  | (669)  |
|   | 12-0        | 11-11 1/2       | (3645) | 12-0          | (3658) | 11-11      | (3632) | 2-11 1/16 | (891)  | 2-5 3/32         | (739)  | 2-6 11/32  | (771)  |
|   | 14-0        | 13-11 1/2       | (4255) | 14-0          | (4267) | 13-11      | (4242) | 3-5 1/16  | (1043) | 2-11 3/32        | (891)  | 3-0 11/32  | (923)  |
| Height  |             |                 |        |               |        |            |        |           |        |                  |        |            |        |
| Unit Type   | Call Number | Masonry Opening |        | Rough Opening |        | Frame Size |        | Sash OM   |        | Daylight Opening |        | Glass Size |        |
|   |             | ft - in         | mm     | ft - in       | mm     | ft - in    | mm     | ft-in     | mm     | ft - in          | mm     | ft - in    | mm     |
| All Configurations  | 1-6         | 1-6 1/4         | (464)  | 1-6 1/2       | (470)  | 1-6        | (457)  | 1-3 5/8   | (397)  | 1-0 13/64        | (310)  | 13 29/64   | (342)  |
|   | 2-0         | 2-0 1/4         | (616)  | 2-0 1/2       | (622)  | 2-0        | (610)  | 1-9 5/8   | (549)  | 1-3 5/8          | (397)  | 19 29/64   | (494)  |
|   | 2-6         | 2-6 1/4         | (768)  | 2-6 1/2       | (775)  | 2-6        | (762)  | 2-3 5/8   | (702)  | 1-9 5/8          | (549)  | 25 29/64   | (647)  |

**Standard Unit Measurements: Ultimate Direct Glaze Rectangle/Transom**

| Direct Glaze Door Transom Measurements Width        |             |                 |        |               |        |            |        |                  |        |            |        |
|---|-------------|-----------------|--------|---------------|--------|------------|--------|------------------|--------|------------|--------|
| Unit Type   | Call Number | Masonry Opening |        | Rough Opening |        | Frame Size |        | Daylight Opening |        | Glass Size |        |
|   |             | ft-in           | mm     | ft-in         | mm     | ft-in      | mm     | ft-in            | mm     | in         | mm     |
| 1 Lite<br>Direct Glaze<br>Transom<br>Swinging Doors | 2-0         | 2-1 15/16       | (659)  | 2-2 7/16      | (672)  | 2-1 7/16   | (646)  | 1-9 1/2          | (546)  | 22 7/8     | (581)  |
|   | 2-6         | 2-7 15/16       | (811)  | 2-8 7/16      | (824)  | 2-7 7/16   | (799)  | 2-3 1/2          | (699)  | 28 7/8     | (733)  |
|   | 2-8         | 2-9 15/16       | (862)  | 2-10 7/16     | (875)  | 2-9 7/16   | (849)  | 2-5 1/2          | (749)  | 30 7/8     | (784)  |
|   | 3-0         | 3-1 15/16       | (964)  | 3-2 7/16      | (976)  | 3-1 7/16   | (951)  | 2-9 1/2          | (851)  | 34 7/8     | (886)  |
|   | 3-6         | 3-7 15/16       | (1116) | 3-8 7/16      | (1129) | 3-7 7/16   | (1103) | 3-3 1/2          | (1003) | 40 7/8     | (1038) |
|   | 5-0         | 5-1 1/8         | (1553) | 5-1 5/8       | (1565) | 5-0 5/8    | (1540) | 4-8 11/16        | (1440) | 58 1/16    | (1475) |
|   | 5-4         | 5-5 1/8         | (1654) | 5-5 5/8       | (1667) | 5-4 5/8    | (1641) | 5-0 11/16        | (1541) | 62 1/16    | (1576) |
|   | 6-0         | 6-1 1/8         | (1857) | 6-1 5/8       | (1870) | 6-0 5/8    | (1845) | 5-8 11/16        | (1745) | 70 1/16    | (1780) |
|   | 7-0         | 7-1 1/8         | (2162) | 7-1 5/8       | (2175) | 7-0 5/8    | (2149) | 6-8 11/16        | (2049) | 82 1/16    | (2084) |
| Height  |             |                 |        |               |        |            |        |                  |        |            |        |
| Unit Type   | Call Number | Masonry Opening |        | Rough Opening |        | Frame Size |        | Daylight Opening |        | Glass Size |        |
|   |             | ft-in           | mm     | ft-in         | mm     | ft-in      | mm     | ft-in            | mm     | in         | mm     |
| All<br>Configurations                               | 1-0         | 1-0 1/4         | (311)  | 1-0 1/2       | (318)  | 1-0        | (305)  | 0-8 1/16         | (205)  | 9 7/16     | (240)  |
|   | 1-2         | 1-2 1/4         | (362)  | 1-2 1/2       | (368)  | 1-2        | (356)  | 0-10 1/16        | (256)  | 11 7/16    | (290)  |
|   | 1-6         | 1-6 1/4         | (464)  | 1-6 1/2       | (470)  | 1-6        | (457)  | 1-2 1/16         | (357)  | 15 7/16    | (392)  |

**Certified Sizes and Ratings**

| Product                                    | Air Tested to psf | Water Tested to psf | Structural Tested to psf | Certification Rating | Design Pressure (DP) | Overall Width |        | Overall Height |        | Applicable Configurations |
|--|-------------------|---------------------|--------------------------|----------------------|----------------------|---------------|--------|----------------|--------|---------------------------|
|  |                   |                     |                          |                      |                      | in            | mm     | in             | mm     |                           |
| Ultimate Inswing Door 2.25 12080 (OXXO)    | 1.57              | 6                   | 60                       | LC-PG40              | 40                   | 143           | (3632) | 98             | (2489) | OXXO                      |
| Ultimate Inswing Door 2.25 14080 (OXXO)    | 1.57              | 4.5                 | 45                       | LC-PG30              | 30                   | 167           | (4242) | 98             | (2489) | OXXO                      |
| Ultimate Inswing Door 2.25 36100 (O)       | 1.57              | 7.5                 | 75                       | LC-PG50              | 50                   | 43 7/16       | (1103) | 122            | (3099) | O                         |
| Ultimate Inswing Door 2.25 36100 (X)       | 1.57              | 7.5                 | 75                       | LC-PG50              | 50                   | 43 7/16       | (1103) | 122            | (3099) | X                         |
| Ultimate Inswing Door Transom 8026 (O)     | 1.57              | 6                   | 60                       | LC-PG40              | 40                   | 96 5/8        | (2454) | 30             | (762)  | O                         |
| Ultimate Inswing Door Transom 14026 (OOOO) | 1.57              | 60                  | 60                       | LC-PG40              | 40                   | 96 5/8        | (2454) | 30             | (762)  | OOOO                      |
| Ultimate Inswing Door 2.25 HP 6080 (XX)    | 1.57              | 7.25                | 75                       | LC-PG50              | 65                   | 72 5/8        | (1845) | 98             | (2489) | XX                        |

NOTE: 3 and 4 panel doors with more than 2 operating panels or more than 2 stationary panels are non-certified.

| Product                                    | Air Tested to psf | Water Tested to psf | Structural Tested to psf | Certification Rating | Design Pressure (DP) | Overall Width |        | Overall Height |        | Applicable Configurations |
|--|-------------------|---------------------|--------------------------|----------------------|----------------------|---------------|--------|----------------|--------|---------------------------|
|  |                   |                     |                          |                      |                      | in            | mm     | in             | mm     |                           |
| Ultimate Inswing Door 2.25 G2 IZ3 3680 (O) | 1.57              | 9.75                | 97.5                     | LC-PG65              | 65                   | 43 7/16       | (1103) | 98             | (2489) | O                         |
| Ultimate Inswing Door 2.25 IZ3 6080 (XX)   | 1.57              | 9.75                | 97.5                     | LC-PG65              | 65                   | 72 5/8        | (1845) | 98             | (2489) | XX                        |
| Ultimate Inswing Door Transom IZ3 8026 (O) | 1.57              | 9.75                | 97.5                     | LC-PG65              | 65                   | 96 5/8        | (2454) | 30             | (762)  | O                         |

**Minimum and Maximum Guidelines - Doors and In-Sash Transom**

| Ultimate Swinging Doors Minimums and Maximums |               |                     |        |         |        |                     |        |        |        |
|---|---------------|---------------------|--------|---------|--------|---------------------|--------|--------|--------|
| Unit Type                                     |               | Min Frame Size Unit |        |         |        | Max Frame Size Unit |        |        |        |
|   |               | Width               |        | Height  |        | Width               |        | Height |        |
|   |               | in                  | mm     | in      | mm     | in                  | mm     | in     | mm     |
| Stationary                                    | 2 1/4" Panels | 16 11/32            | (415)  | 23 7/8  | (606)  | 49 7/16             | (1256) | 122    | (3099) |
| 1 Panel Operator                              | 2 1/4" Panels | 14 19/32            | (371)  | 70 5/16 | (1786) | 43 7/16             | (1103) | 122    | (3099) |
| 2 Panel Operator                              | 2 1/4" Panels | 33 15/16            | (862)  | 70 5/16 | (1786) | 84 5/8              | (2149) | 122    | (3099) |
| 3 Panel Operator                              | 2 1/4" Panels | 49 25/32            | (1264) | 70 5/16 | (1786) | 125 13/16           | (3196) | 122    | (3099) |
| 4 Panel Operator                              | 2 1/4" Panels | 65 5/8              | (1667) | 70 5/16 | (1786) | 167                 | (4242) | 122    | (3099) |

| Transom Minimum and Maximums |                       |                     |        |        |       |                     |        |        |       |
|------------------------------|-----------------------|---------------------|--------|--------|-------|---------------------|--------|--------|-------|
| Unit Type                    |                       | Min Frame Size Unit |        |        |       | Max Frame Size Unit |        |        |       |
|                              |                       | Width               |        | Height |       | Width               |        | Height |       |
|                              |                       | in                  | mm     | in     | mm    | in                  | mm     | in     | mm    |
| Transom                      | Factory/Field Mullled | 14 19/32            | (371)  | 11 3/8 | (289) | 96 5/8              | (2454) | 30     | (762) |
| 1 Sash 1 Frame               | Stand Alone           | 14 19/32            | (371)  | 11 3/8 | (289) | 96 5/8              | (2454) | 30     | (762) |
| Door Transom                 | Factory/Field Mullled | 18 3/32             | (460)  | 11 3/8 | (289) | 96 5/8              | (2454) | 30     | (762) |
| 1 Sash 1 Frame               | Stand Alone           | 18 3/32             | (460)  | 11 3/8 | (289) | 96 5/8              | (2454) | 30     | (762) |
| Transom                      | Factory/Field Mullled | 33 15/16            | (862)  | 11 3/8 | (289) | 84 5/8              | (2149) | 30     | (762) |
| 2 Sash 1 Frame               | Stand Alone           | 33 15/16            | (862)  | 11 3/8 | (289) | 191                 | (4851) | 30     | (762) |
| Transom                      | Factory/Field Mullled | 49 25/32            | (1264) | 11 3/8 | (289) | 125 13/16           | (3196) | 30     | (762) |
| 3 Sash 1 Frame               | Stand Alone           | 49 25/32            | (1264) | 11 3/8 | (289) | 191                 | (4851) | 30     | (762) |
| Transom                      | Factory/Field Mullled | 65 5/8              | (1667) | 11 3/8 | (289) | 167                 | (4242) | 30     | (762) |
| 4 Sash 1 Frame               | Stand Alone           | 65 5/8              | (1667) | 11 3/8 | (289) | 191                 | (4851) | 30     | (762) |

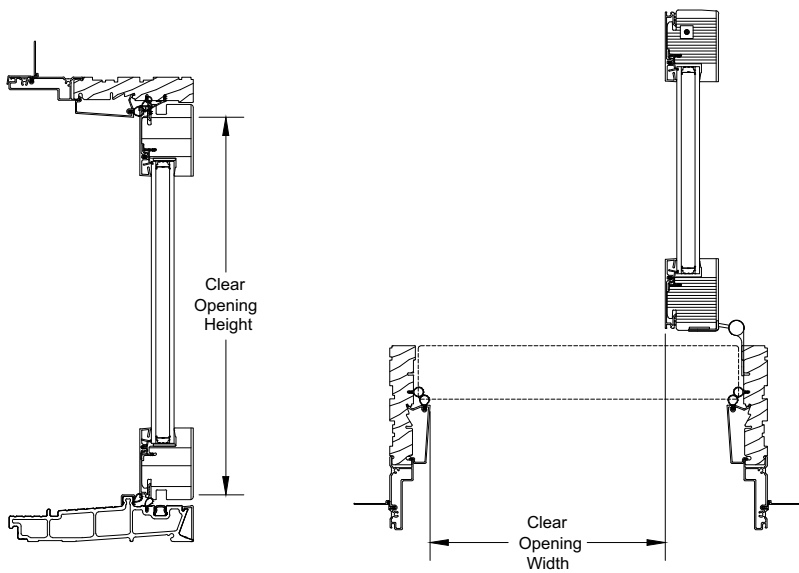
### Measurement Conversions

| Unit Measurements             |   | Width     |       |     | Height    |       |
|-------------------------------|---|-----------|-------|-----|-----------|-------|
| From                          | To  |           |       |     |           |       |
| Frame                         |   | in        | mm    |     | in        | mm    |
| OM of Frame                   | Rough Opening                                 | + 1       | (25)  |     | + 1/2     | (13)  |
| Masonry Opening               | Rough Opening                                 | + 1/2     | (13)  |     | + 1/4     | (06)  |
| Masonry Opening w/BMC         | Rough Opening                                 | -2 1/8    | (54)  |     | -1 1/16   | (27)  |
| Masonry Opening w/Flat Casing | Rough Opening                                 | -5 1/2    | (140) |     | -2 3/4    | (70)  |
| Operating Panel               |   | in        | mm    |     | in        | mm    |
| OM of Frame                   | OM of Panel (x1)                              | -2 3/8    | (60)  |     | -2 57/64  | (73)  |
| OM of Frame                   | OM of Panel (x2)                              | -2 1/2    | (64)  | ÷ 2 | -2 57/64  | (73)  |
| OM of Frame                   | OM of Panel (x3)                              | -2 5/8    | (67)  | ÷ 3 | -2 57/64  | (73)  |
| OM of Frame                   | OM of Panel (x4)                              | -2 3/4    | (70)  | ÷ 4 | -2 57/64  | (73)  |
| OM of Frame                   | OM of Sidelite                                | -2 3/8    | (60)  |     | -2 57/64  | (73)  |
| Daylight Opening              | OM of Panel - Ultimate Inswing French Door G2 | + 9 15/32 | (240) |     | + 12 7/8  | (327) |
| Daylight Opening              | OM of Panel - Ultimate Inswing Door           | + 5 31/32 | (152) |     | + 5 31/32 | (152) |
| Daylight Opening              | OM of Sidelite                                | + 5 31/32 | (152) |     | + 12 7/8  | (327) |
| Glass                         |   | in        | mm    |     | in        | mm    |
| Daylight Opening              | Glass   | + 1 1/4   | (32)  |     | + 1 1/4   | (32)  |

| Direct Glaze Door Transoms |               |         |       |  |         |      |
|----------------------------|---------------|---------|-------|--|---------|------|
| Unit Measurements          |               | Width   |       |  | Height  |      |
| From                       | To            |         |       |  |         |      |
| Frame                      |               | in      | mm    |  | in      | mm   |
| OM of Frame                | Rough Opening | 1       | (25)  |  | 1/2     | (13) |
| Masonry Opening            | Rough Opening | 1/2     | (13)  |  | 1/4     | (06) |
| Masonry Opening w/BMC      | Rough Opening | -2 1/8  | (54)  |  | -1 1/16 | (27) |
| Masonry Opening w/Flat Ca  | Rough Opening | -5 1/2  | (140) |  | -2 3/4  | (70) |
| Glass                      |               | in      | mm    |  | in      | mm   |
| Rough Opening              | Glass         | -3 9/16 | (90)  |  | -3 1/16 | (78) |

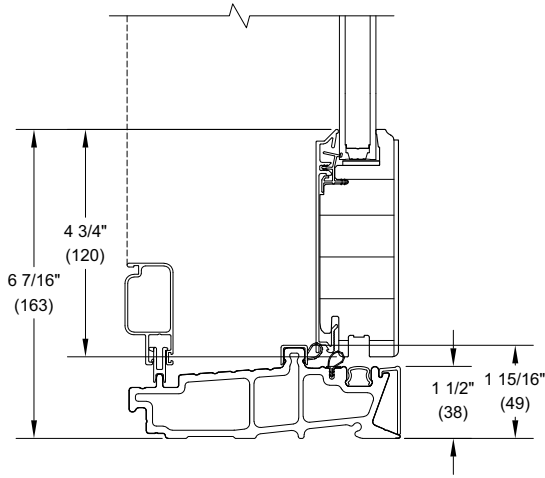
**Net Clear Openings: Inswing Units**

| Net Clear Opening<br>Ultimate Inswing French Door 2.25 G2 and<br>Ultimate Inswing Door 2.25 |             |                    |        |
|---|-------------|--------------------|--------|
| Width   |             |                    |        |
| Unit Type   | Call Number | Net Clear Openings |        |
|   |             | ft-in              | mm     |
| 1 Panel Operator  | 2-6R        | 2-0 3/4            | (629)  |
|   | 3-0R        | 2-6 3/4            | (781)  |
|   | 2-0         | 1-7 9/16           | (497)  |
|   | 2-6         | 2-1 9/16           | (649)  |
|   | 2-8         | 2-3 9/16           | (700)  |
|   | 3-0         | 2-7 9/16           | (802)  |
|   | 3-6         | 3-1 9/16           | (954)  |
| 2 Panel Operator  | 5-0R*       | 4-2 9/16           | (1284) |
|   | 6-0R*       | 5-2 9/16           | (1589) |
|   | 4-0         | 3-4 3/16           | (1021) |
|   | 5-0         | 4-4 3/16           | (1326) |
|   | 5-4         | 4-8 3/16           | (1427) |
|   | 6-0         | 5-4 3/16           | (1630) |
|   | 7-0         | 6-4 3/16           | (1630) |
| Height  |             |                    |        |
| Unit Type   | Call Number | Net Clear Openings |        |
|   |             | ft - in            | mm     |
| All Configurations  | 6-6R        | 6-3 27/32          | (1926) |
|   | 6-8         | 6-3 27/32          | (1990) |
|   | 7-0         | 6-6 11/32          | (2091) |
|   | 8-0         | 6-10 11/32         | (2333) |
|   | 9-0         | 7-7 27/32          | (2638) |

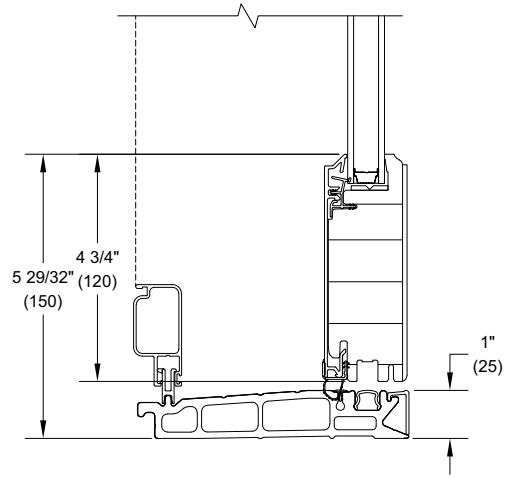


**Inswing Section Details: Sill Options**

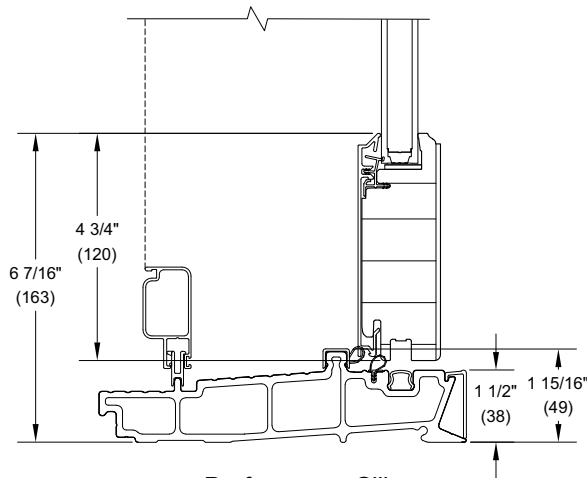
Scale: 3" = 1' 0"



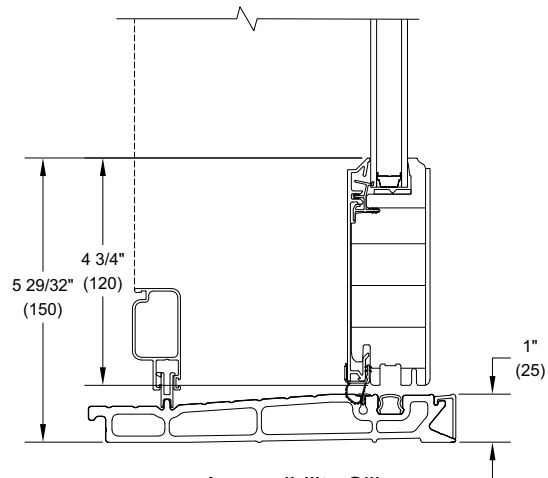
**Performance Sill**  
4 9/16" Jamb



**Accessibility Sill**  
4 9/16" Jamb



**Performance Sill**  
6 9/16" Jamb

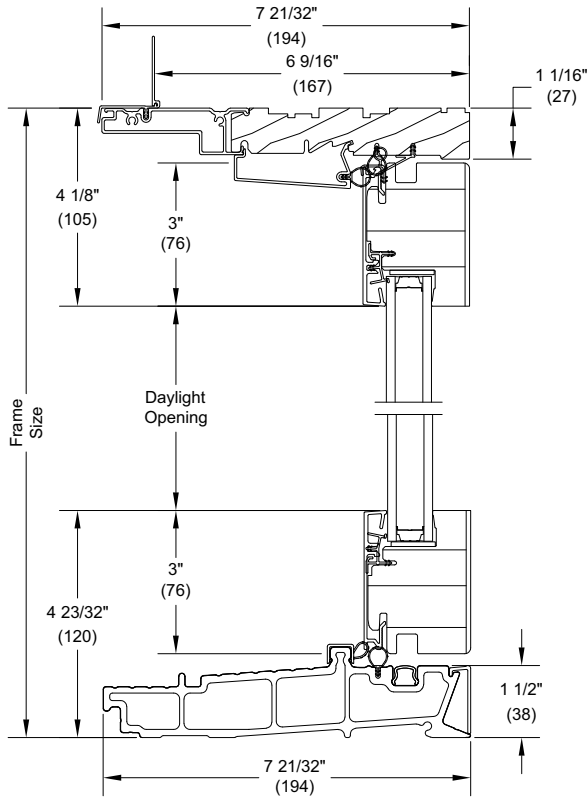


**Accessibility Sill**  
6 9/16" Jamb

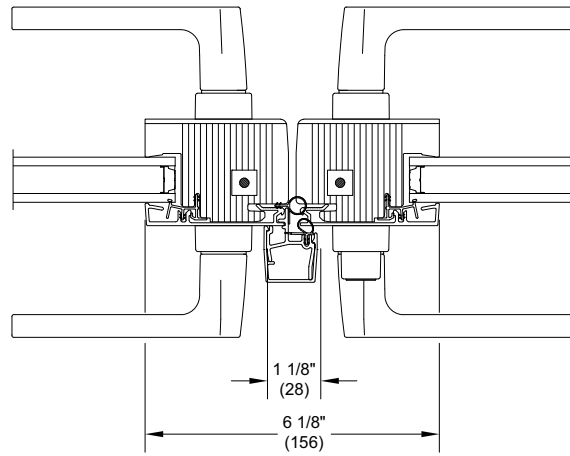
*NOTE: Following section details show the Performance Sill, however, each detail is available with the Accessibility Sill. Accessibility sill is not ADA compliant as delivered. Not available with IZ3.*

**Inswing Section Details: Operating**

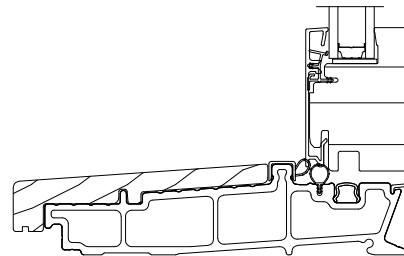
Scale: 3" = 1' 0"



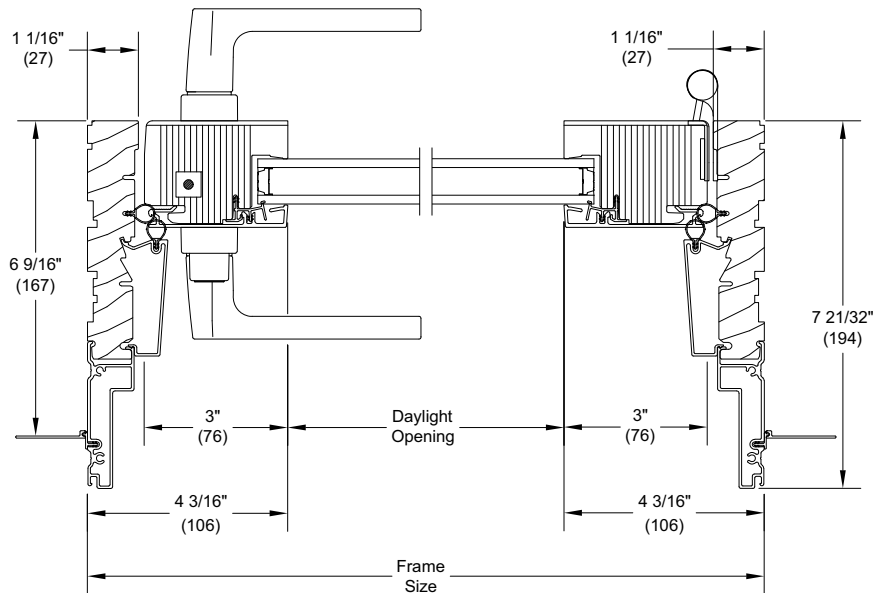
**6 9/16" Head Jamb and Sill**



**XX R - Meeting Stiles**



**6 9/16" Sill with Sill Cover**

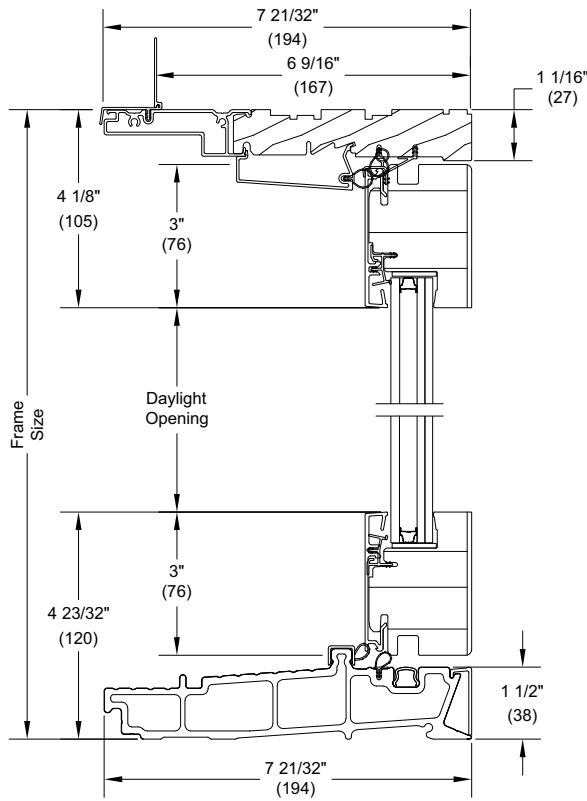


**6 9/16" X R Jamb**

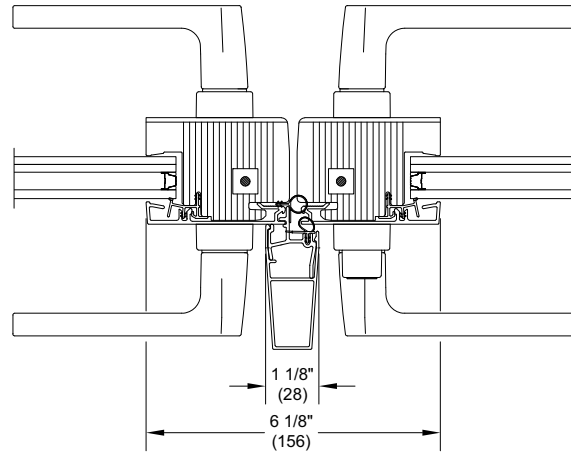


**Inswing Section Details: Operating IZ3**

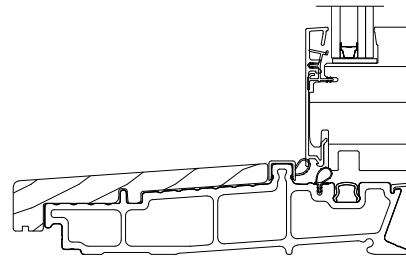
Scale: 3" = 1' 0"



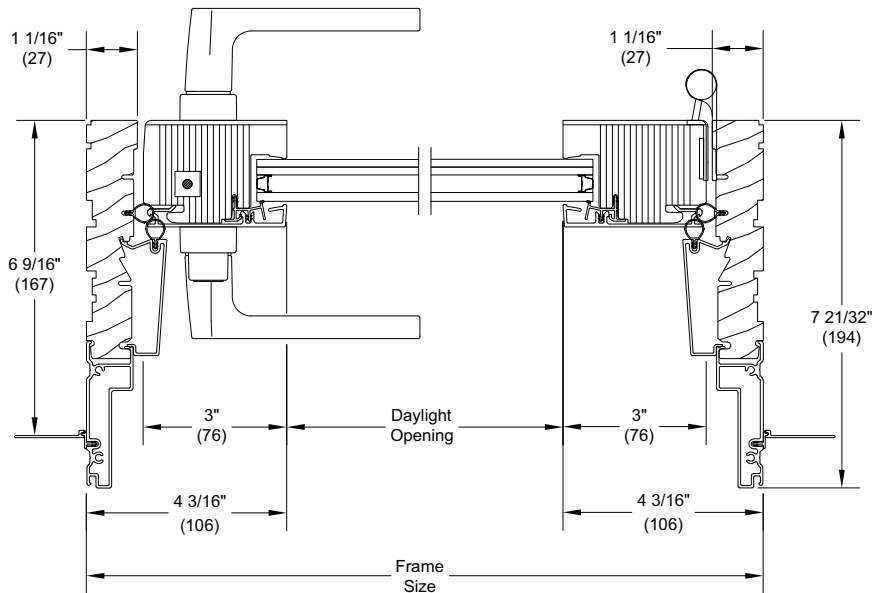
**6 9/16" Head Jamb and Sill**



**XX R - Meeting Stiles**



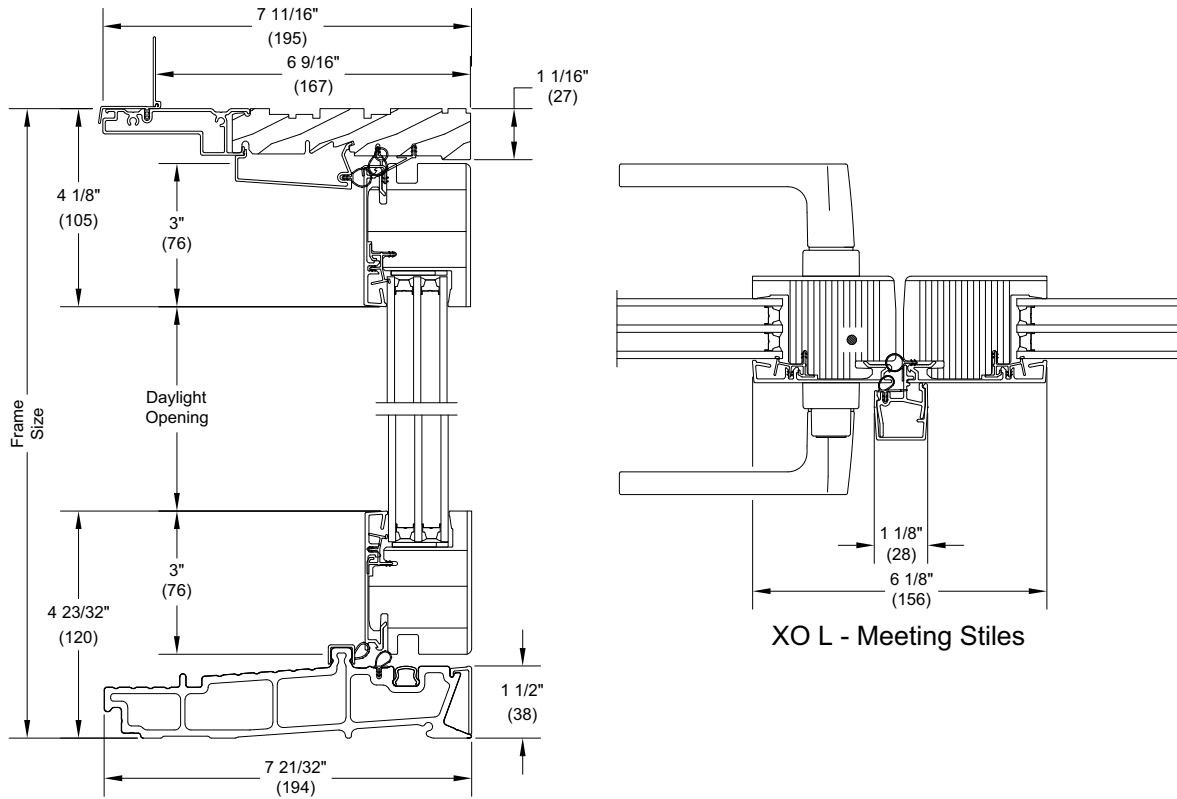
**6 9/16" Sill with Sill Cover**



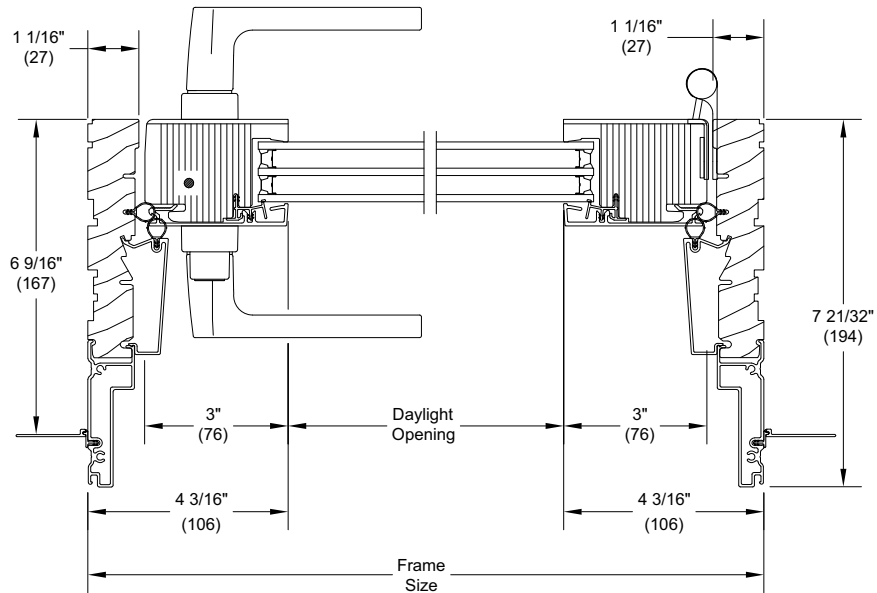
**6 9/16" X R Jamb**

**Inswing Section Details: Operating (Tripane)**

Scale: 3" = 1' 0"



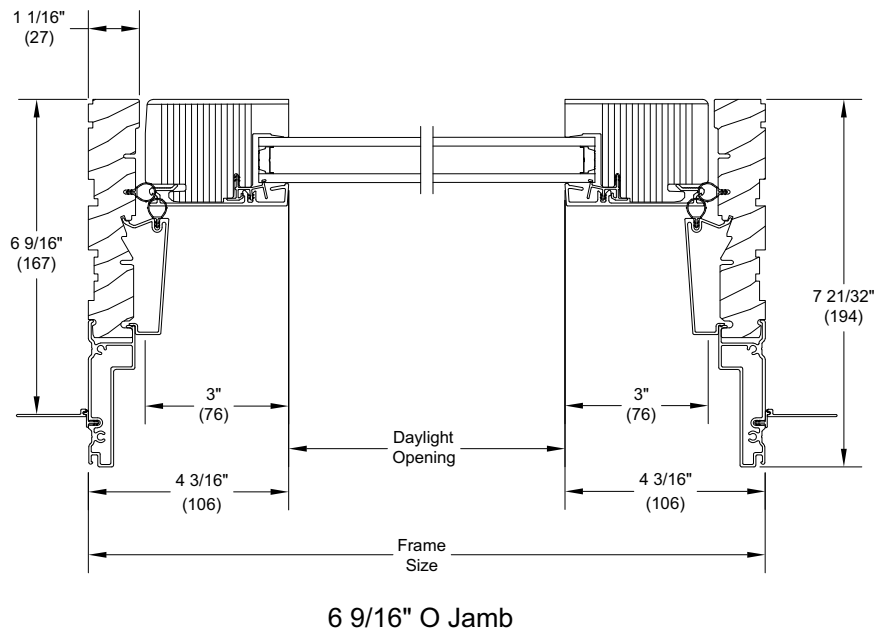
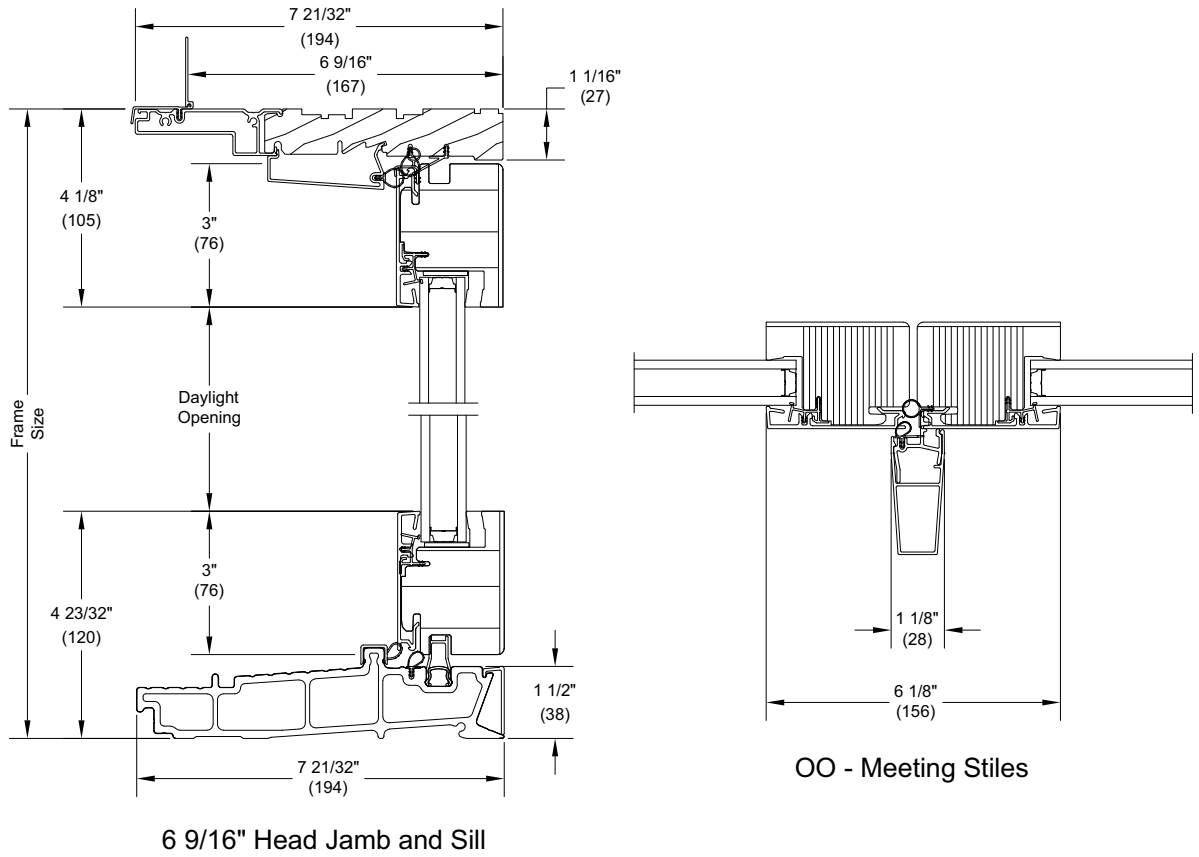
**6 9/16" Head Jamb and Sill**



**6 9/16" X R Jamb**

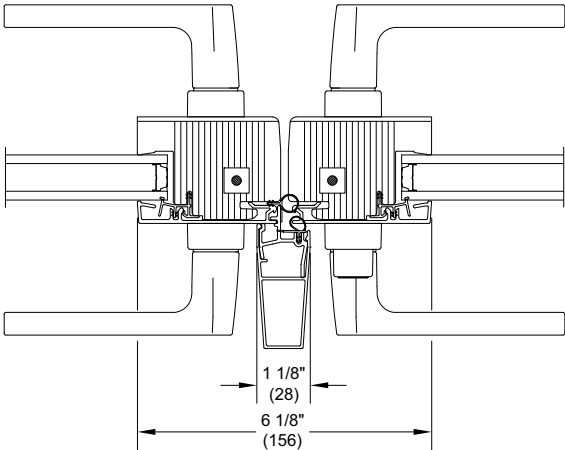
**Inswing Section Details: Stationary**

Scale: 3" = 1' 0"



**Inswing Section Details: High Performance (HP)**

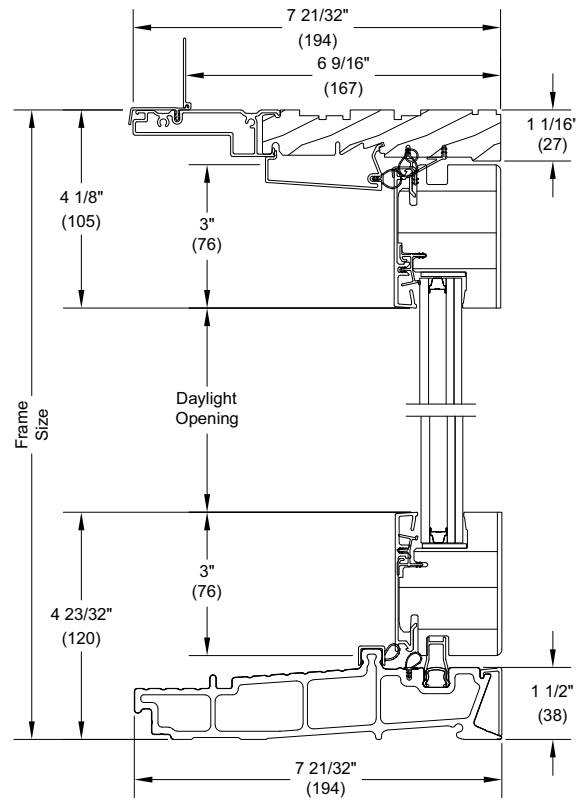
Scale: 3" = 1' 0"



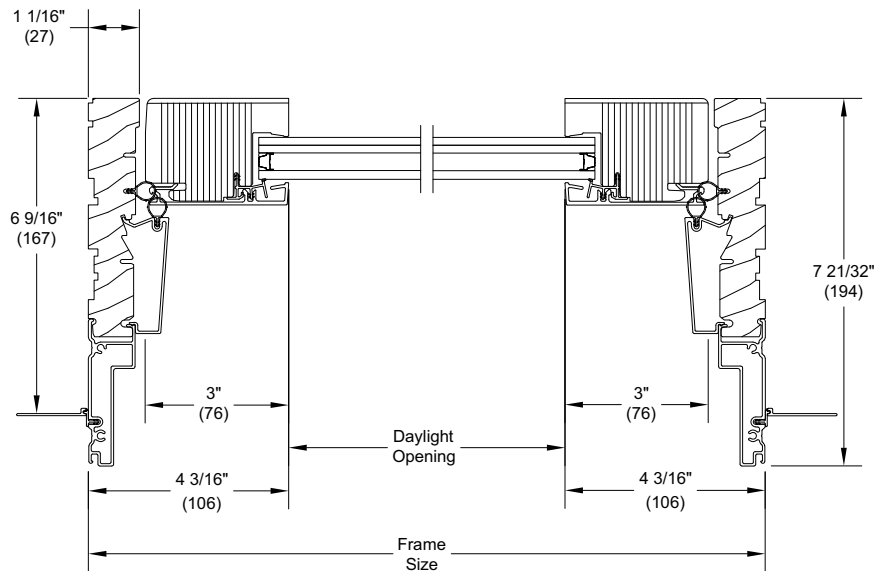
**XX R - Meeting Stiles**

**Inswing Section Details: Stationary IZ3**

Scale: 3" = 1' 0"



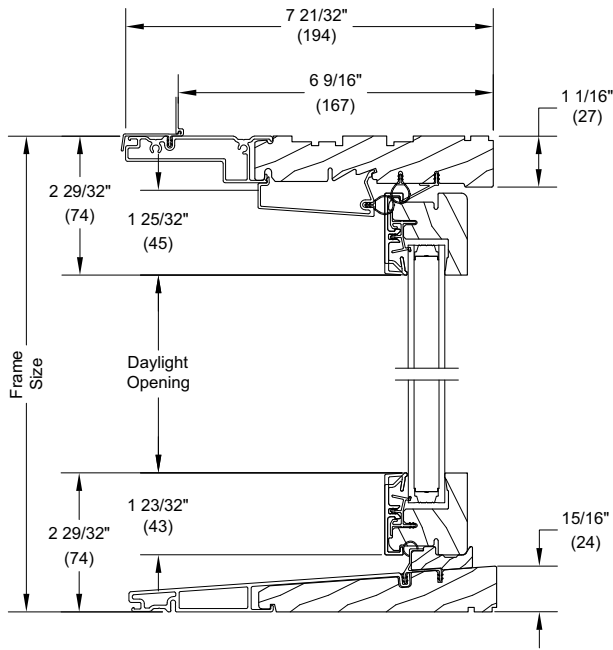
**6 9/16" Head Jamb and Sill**



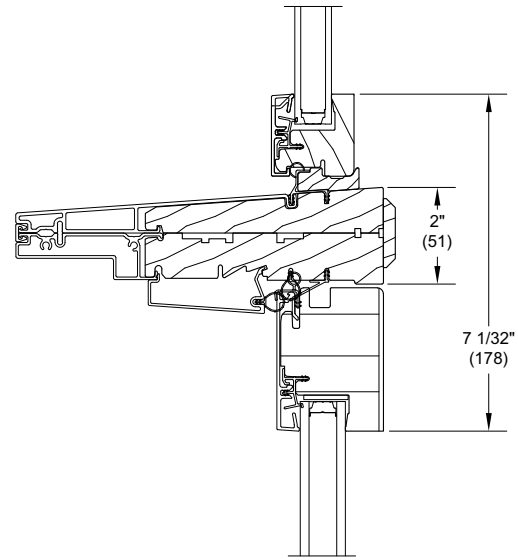
**6 9/16" O Jamb**

**Inswing Section Details: In-Sash Transom (1 3/4 Panels)**

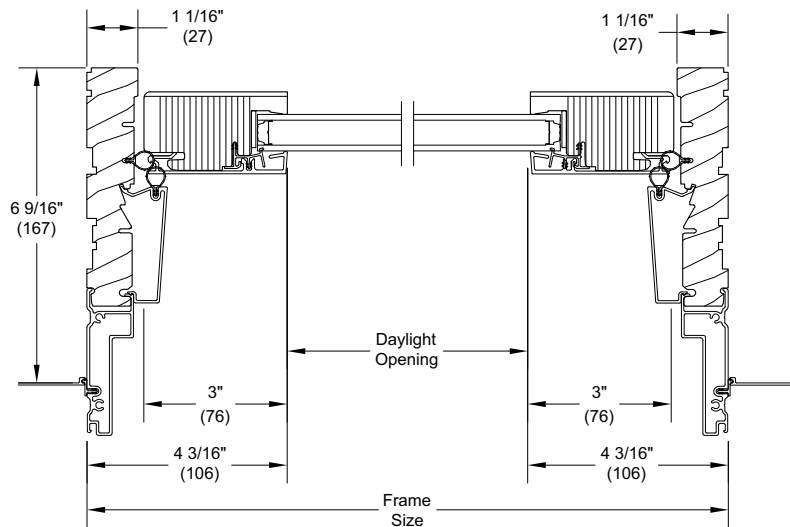
Scale: 3" = 1' 0"



**6 9/16" In Sash  
Ultimate Transom Head Jamb  
and Sill**



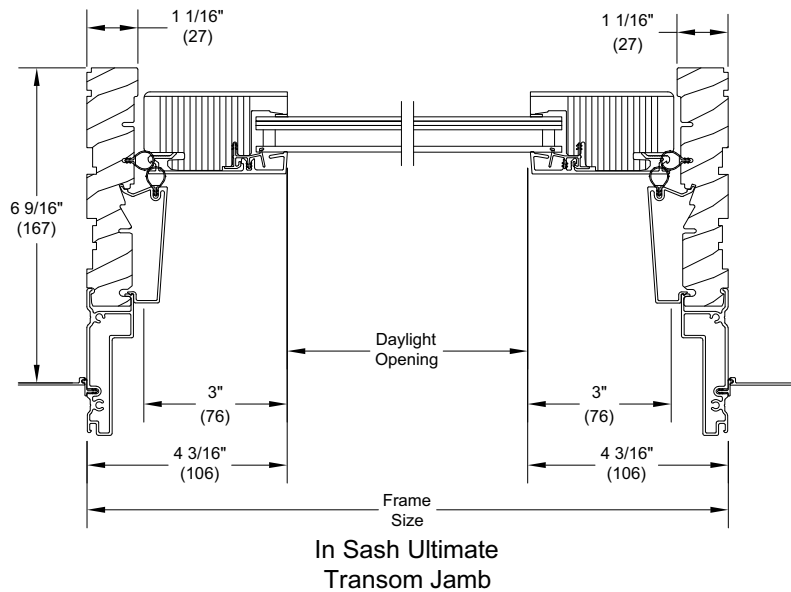
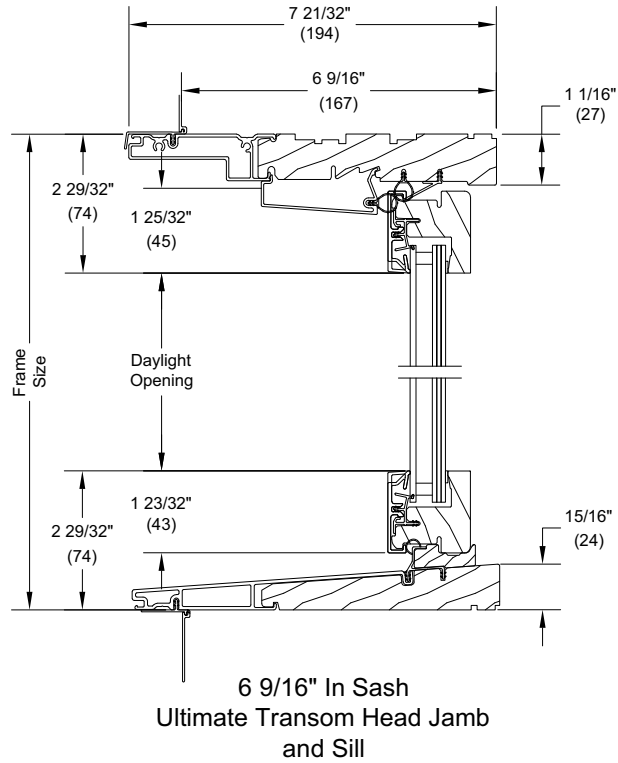
**Rectangular Ultimate Transom Over  
Ultimate Inswing Door**



**In Sash Ultimate  
Transom Jamb**

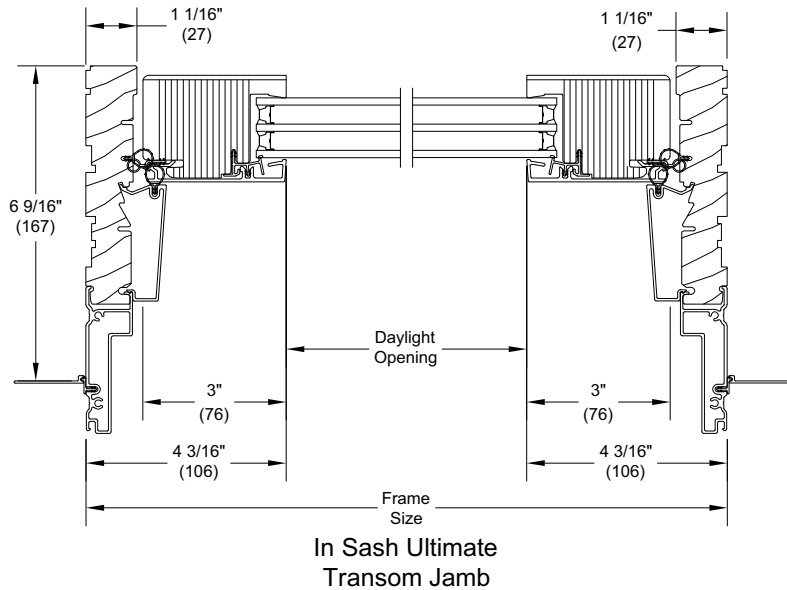
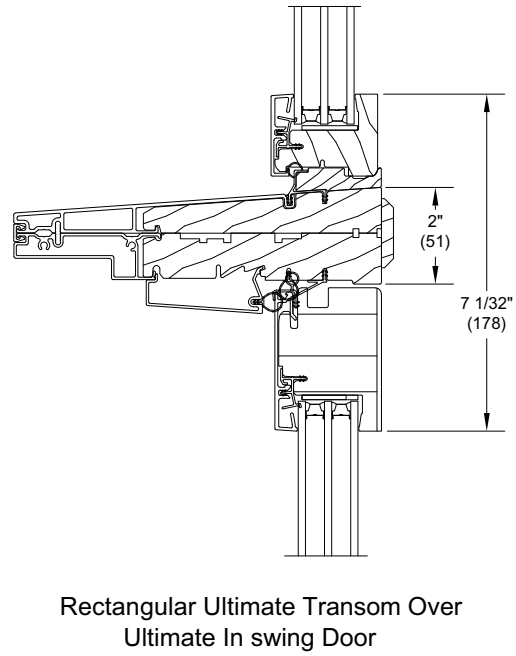
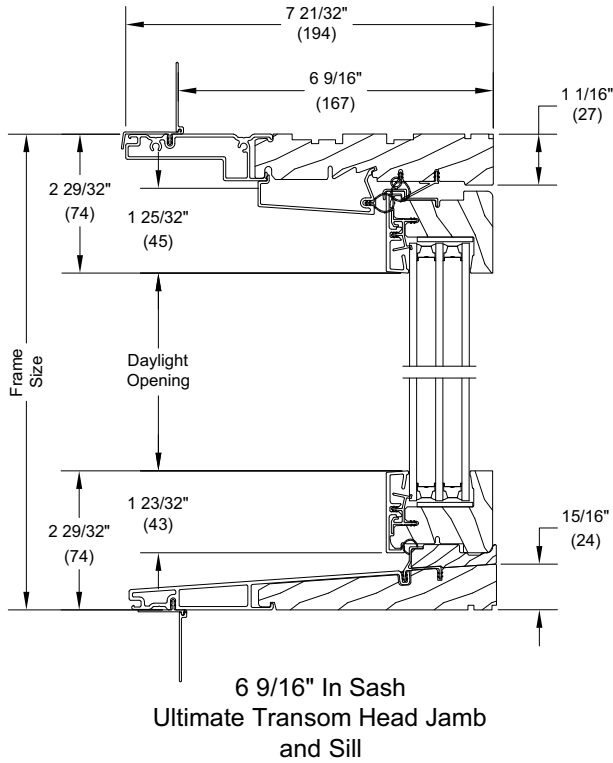
**Inswing Section Details: In-Sash Transom IZ3 (1 3/4 Panels)**

Scale: 3" = 1' 0"



**Inswing Section Details: In-Sash Transom (Tripane)**

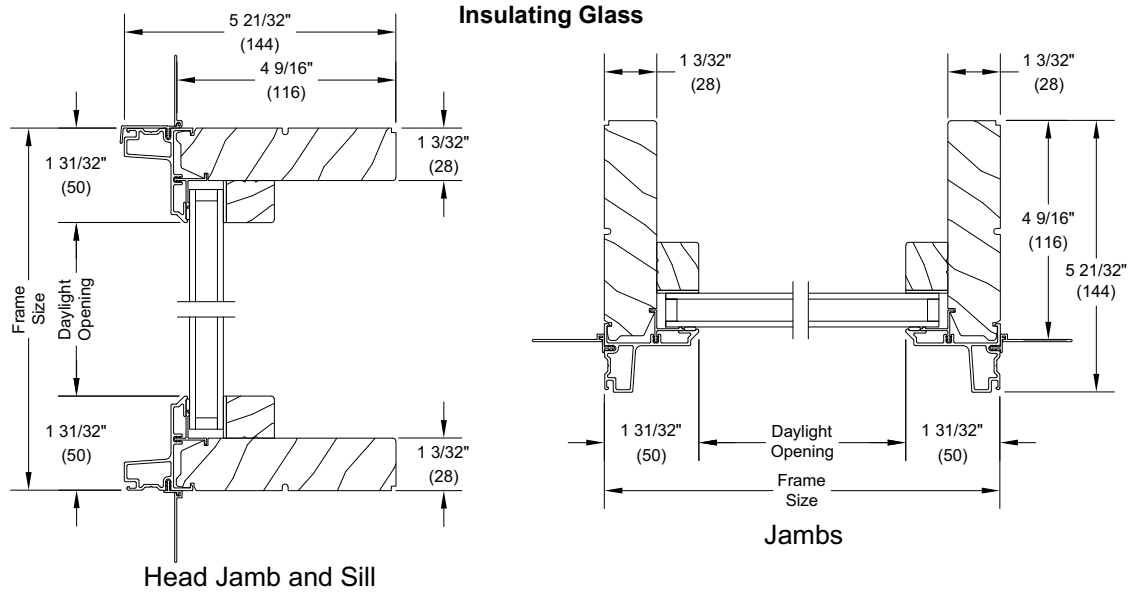
Scale: 3" = 1' 0"





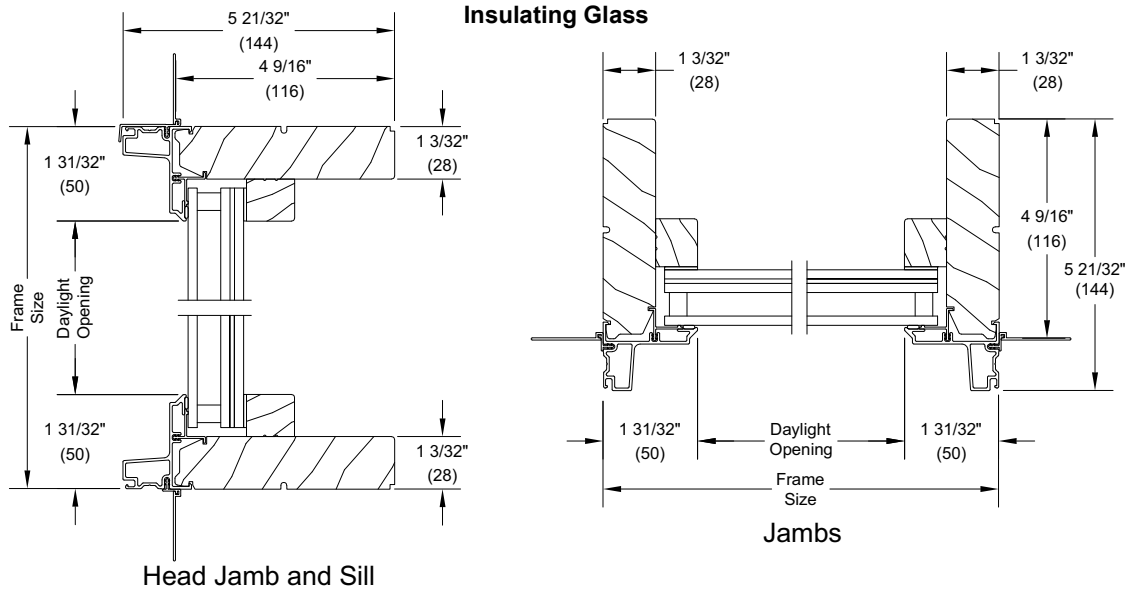
**Inswing Section Details: Direct Glaze Transom**

Scale: 3" = 1' 0"



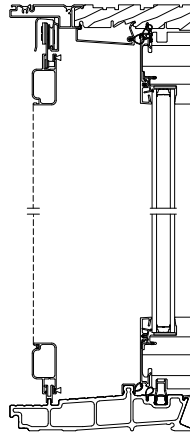
**Inswing Section Details: Direct Glaze Transom IZ3**

Scale: 3" = 1' 0"

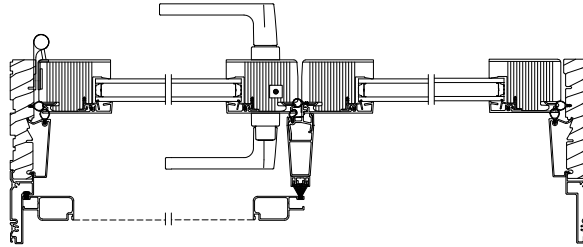


**Inswing Section Details: Ultimate Sliding Screen**

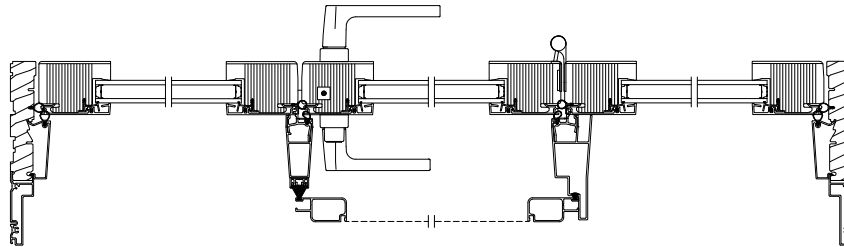
Scale: 3" = 1' 0"



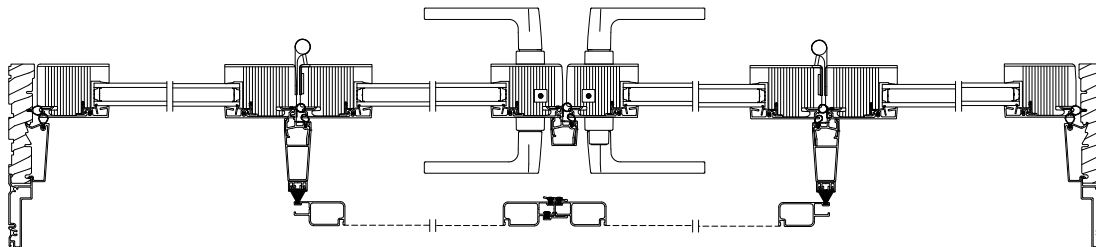
6 9/16" Head  
Jamb and Sill



OX L Jamb



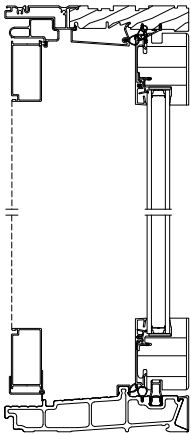
OXO R Jamb



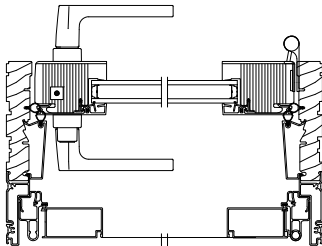
OXXO R Jamb

**Inswing Section Details: Ultimate Swinging Screen**

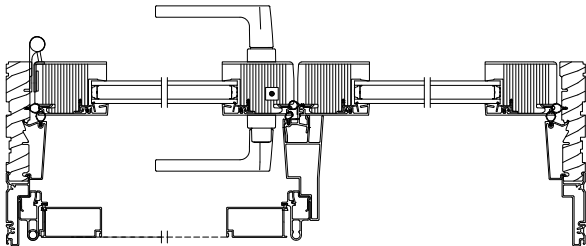
Scale: 3" = 1' 0"



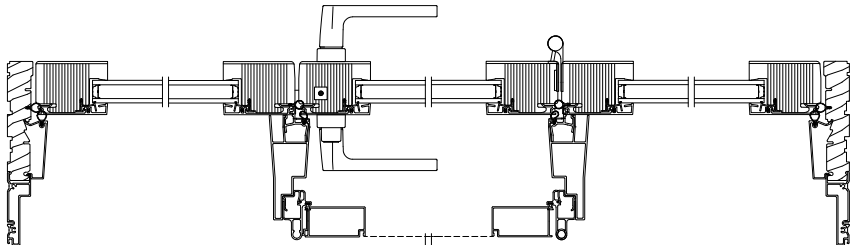
6 9/16" Head  
Jamb and Sill



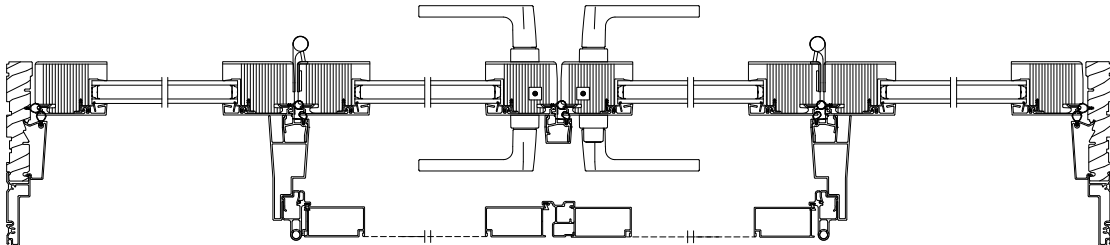
OX R Jamb



OX L Jamb



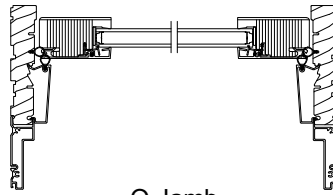
OXO R Jamb



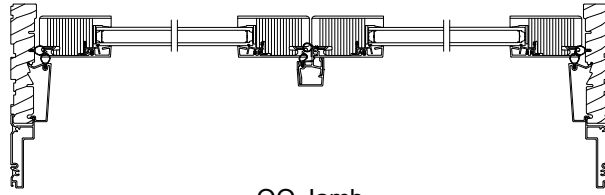
OXXO R Jamb

**Inswing Section Details: In-Sash Transom Configurations**

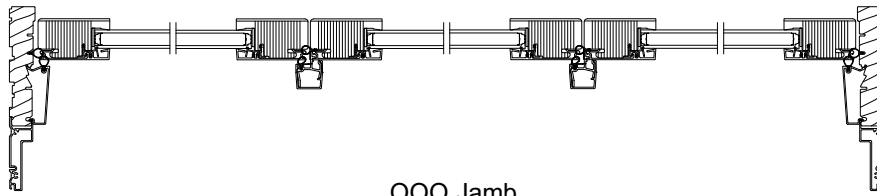
Scale: 3" = 1' 0"



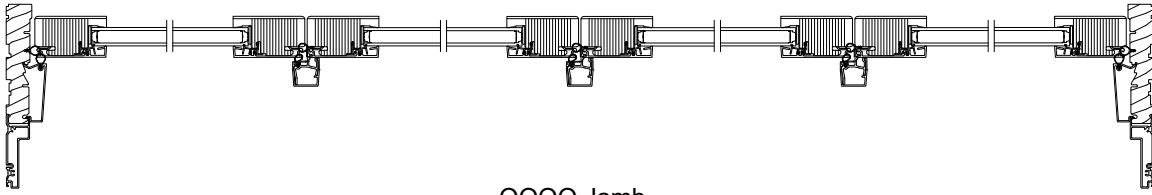
O Jamb  
1 Frame 1 Sash



OO Jamb  
1 Frame 2 Sash



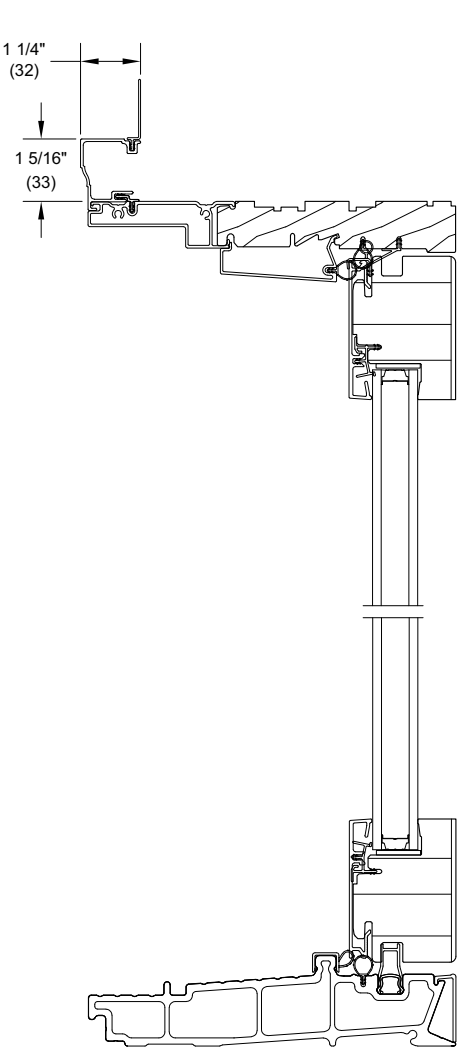
OOO Jamb  
1 Frame 3 Sash



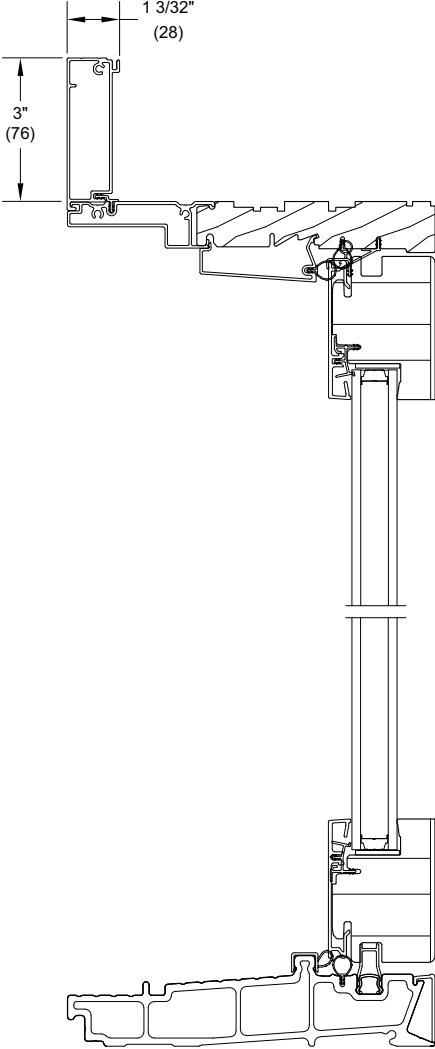
OOOO Jamb  
1 Frame 4 Sash

**Inswing Section Details: Casing Options**

Scale: 3" = 1' 0"



Head Jamb and Sill  
with Clad Brick Mould Casing



Head Jamb and Sill  
with Clad Flat Casing

*NOTE: Casings are available with IZ3 units.*