

# Coastline Multi-Slide Door

Unit Features.....	1
Maximum Guidelines.....	3
Configurations .....	4
COMSD 4.562 IZ4, COMSD 3.187 IZ4, COMSD 3.187 CNR IZ4 Vertical Section Details.....	5
COMSD 4.562 IZ4 Horizontal Section Details.....	6
COMSD 3.187 IZ4 Horizontal Section Details.....	7
COMSD 3.187 CNR IZ4 Horizontal Section Details.....	8



## Unit Features

**Product Name:** Coastline Multi-Slide Door IZ4

**Product Series:**

- COMSD 4.562 IZ4 (Residential and Hi-Rise formerly known as 600KM)
- COMSD 3.187 IZ4 (Formerly known as 600KM-12)
- COMSD 3.187 CNR IZ4

**Abbreviation:** COMSD 4.562 IZ4, COMSD 3.187 IZ4, COMSD 3.187 CNR IZ4

**Frame and Panels:**

- Frame and panels constructed with heavy-duty aluminum
- COMSD 4.562 IZ4 available in Residential or Hi-Rise series
- COMSD 3.187 IZ4 and COMSD 3.187 CNR IZ4 available in STD or HD series
- Frame depth is based on number of tracks (2 to 5 tracks available)
- Optional Color Finishes:
  - Stone White
  - Bronze
  - Ebony
  - Walnut
  - Hazelnut
  - Red Cinnamon
  - English Oak
  - White Kynar
  - Bronze Kynar
  - Black Kynar
  - Custom Colors available

**Style Options:**

- Pocket Door (1 to 8 panel options)
- Stacking Door (2 to 8 panel options)
- Bi-Parting
- 90° Corner Door
- Pass Thru (Not available on 90° Corner Door)

**Hardware:**

- 2 Point or 4 Point (90° Corner Door Lock)
- Keyed Lock Available
- Standard Handle:
  - White
  - Black
  - Satin Nickel
- Euro Crest Handle:
  - White
  - Black
  - Bronze
  - Brushed Nickel
- Exterior Recess Pull with Screens

**Sill:**

- COMSD 4.562 IZ4: Low (2.250"), Medium (2.750"), and High (4.000")
- COMSD 3.187 IZ4: Medium (2.750") and High (4.000")
- COMSD 3.187 CNR IZ4: Medium (2.750") and High (4.000")

**Divided Lite Options:**

- 1 Lite
- Equal Rectangular (1" and 2" Flat available)

**Weather Strip:**

- Fully weather stripped throughout providing a tight seal to prevent water and air infiltration

**Glass and Glazing:**

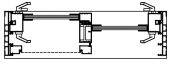
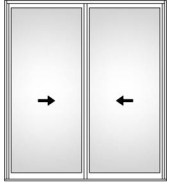
- Glass Options:
  - 9/16" HS Laminated SGP
- Glass Tint Options
  - Clear
  - Grey Tint
  - Bronze Tint
  - Green Tint
  - Azurelite Blue Tint
  - LoE 366 Clear
  - LoE 366 Grey
  - LoE 366 Bronze
  - LoE 366/I-89
- Options:
  - Neat
  - Double Tint

**Maximum Guidelines**

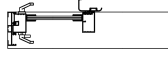
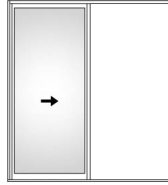
PRODUCT ABBREVIATION	MAX FRAME AREA (sq ft)	MAX FRAME WIDTH (in)	MAX FRAME HEIGHT (in)	MAX PANEL AREA (sq ft)	MAX PANEL WIDTH (in)	MAX PANEL HEIGHT (in)	MAX DESIGN PRESSURE (PSF)	OPERATION
COMSD 4.562 IZ4	255.500	375.422	100.250	32.408	48.00	98.375	+90/-110	Residential: 2 – 4 panels Hi-Rise: 2 – 8 panels
COMSD 3.187 IZ4	500.867	654.794	145.875	63.438	84.000	144.000	+80/-80	Pocket: 1 – 8 panels Stacking: 2 – 8 panels
COMSD 3.187 CNR IZ4	257.447	335.683	145.875	63.438	84.000	144.000	+60/-60	Pocket / Stacking: 2 – 8 panels
<b>Max Area Cannot Be Exceeded, Reference Florida Product Approvals For Actual Design Pressure</b>								

**Configurations**

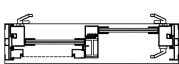
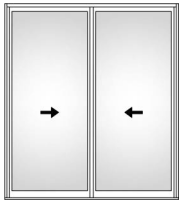
**Bypass Door**



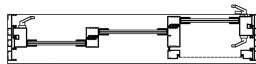
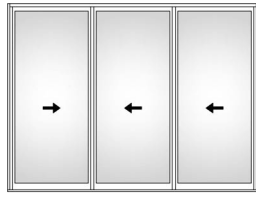
**Pocket Door**



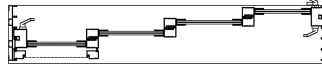
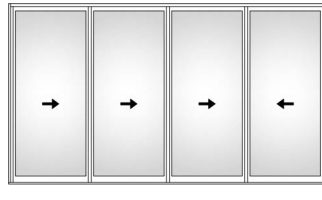
**Bypass Door Configurations**



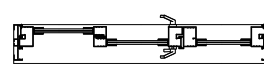
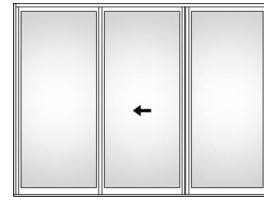
XX



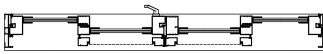
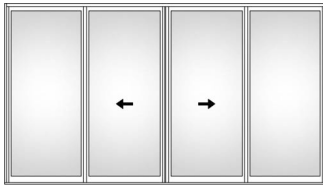
XXX



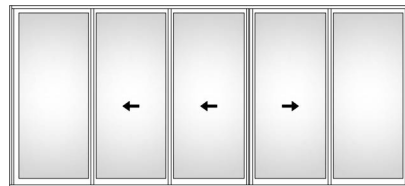
XXXX



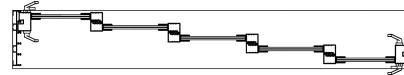
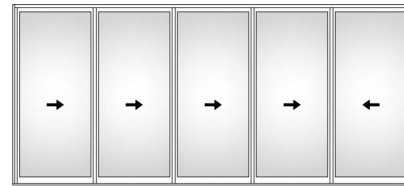
OXO



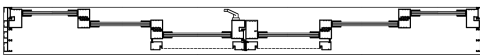
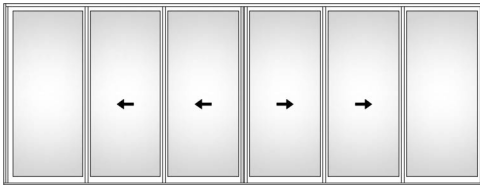
OX-XO



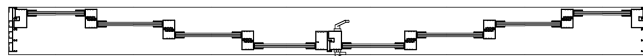
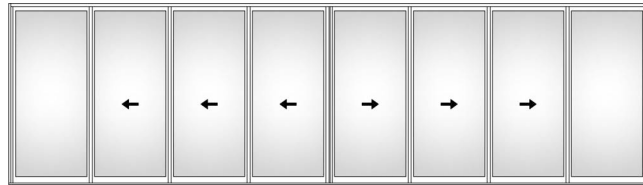
OXX-XO



XXXXX

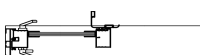
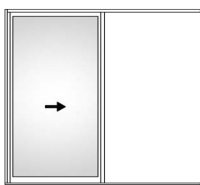


OXX-XXO

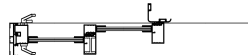
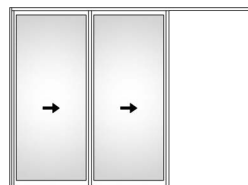


OXXX-XXXO

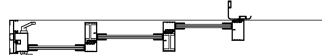
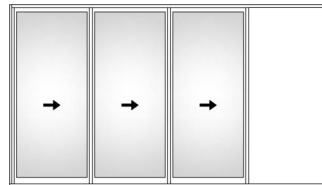
**Pocket Door Configurations**



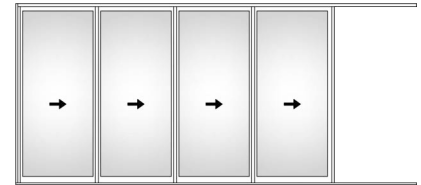
1 Panel Pocket



2 Panel Pocket

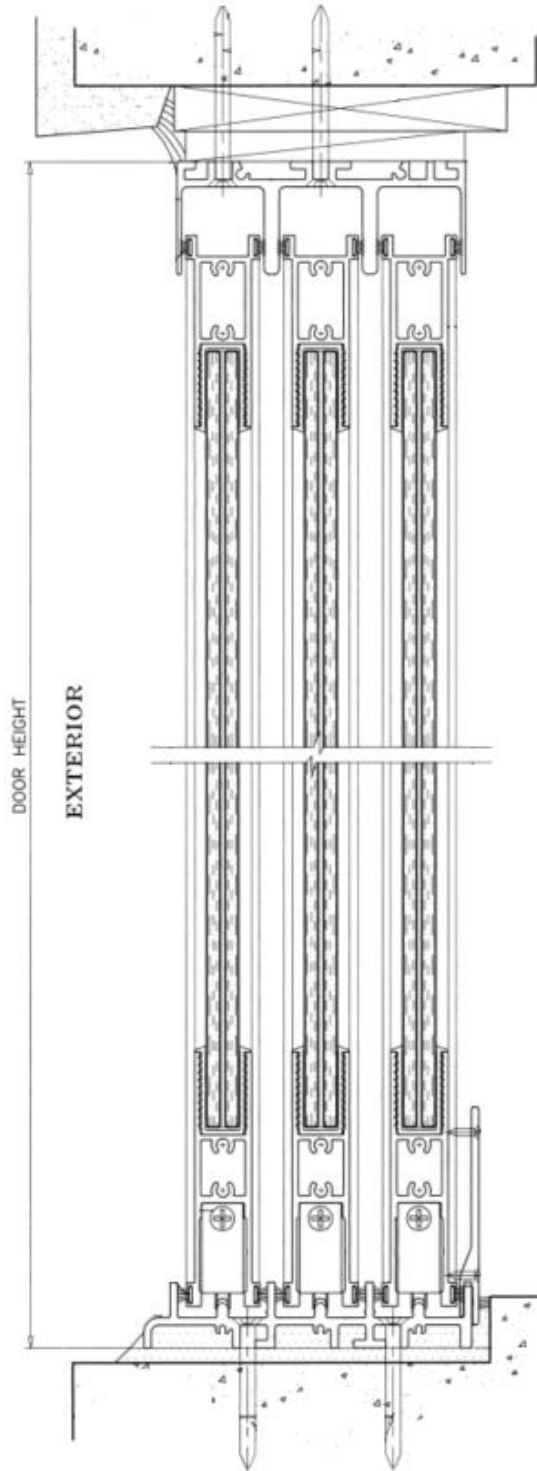


3 Panel Pocket



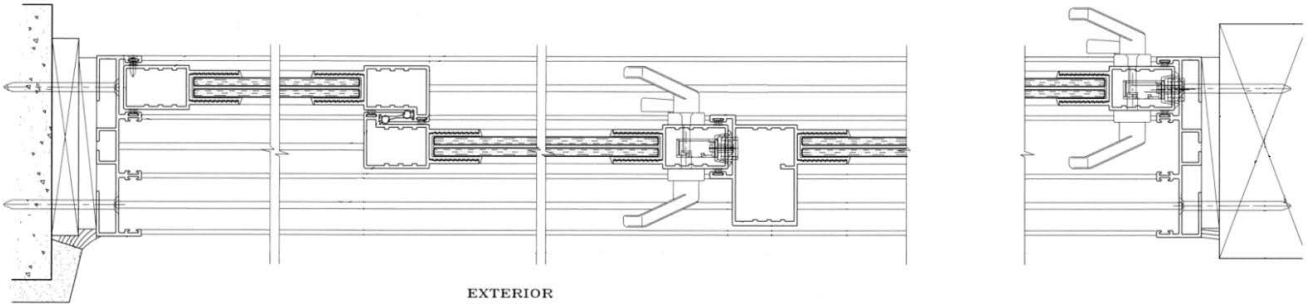
4 Panel Pocket

**Section Details COMSD 4.562 IZ4, COMSD 3.187 IZ4, COMSD 3.187 CNR IZ4**

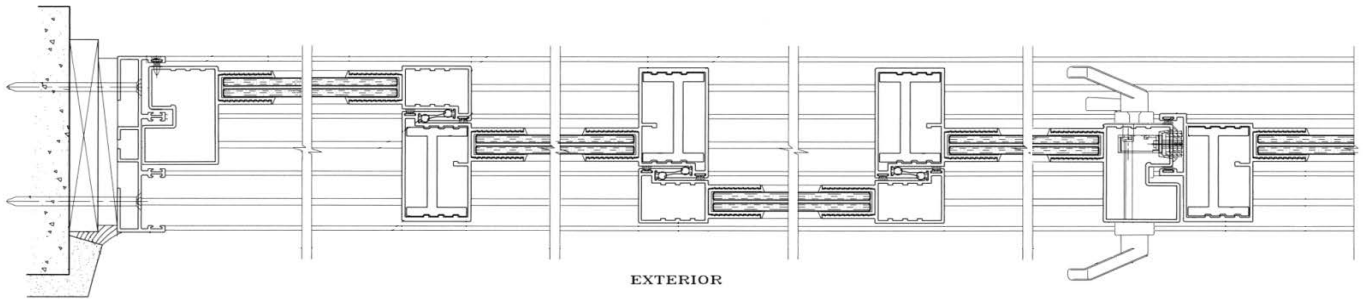


**Section Details COMSD 4.562 IZ4**

Non-Reinforced Residential Series

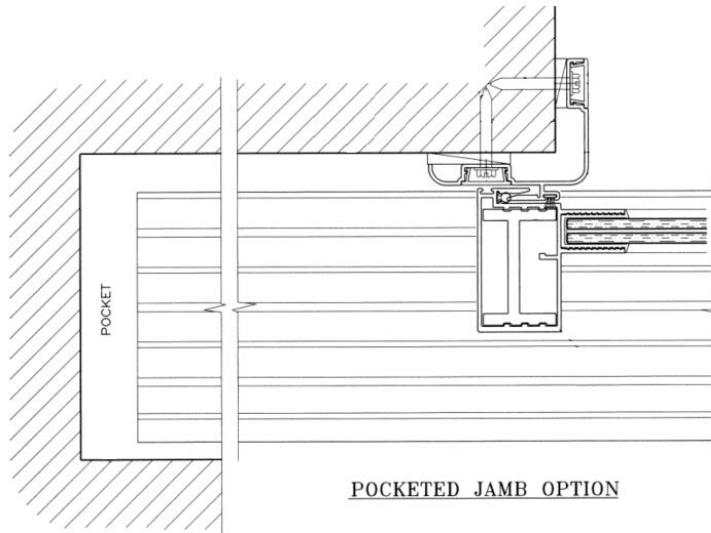
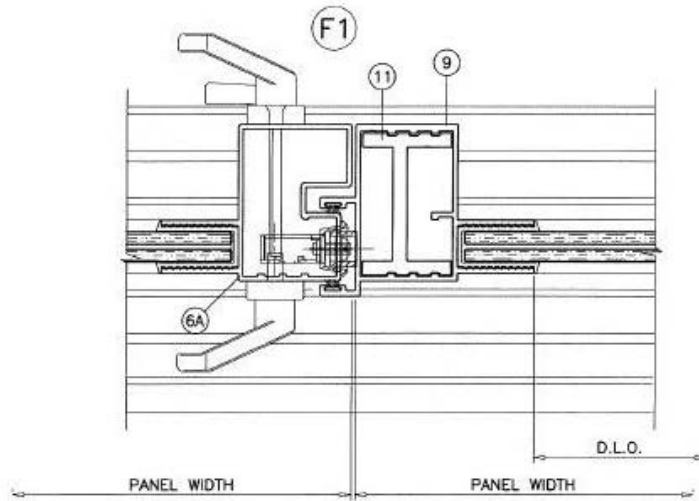
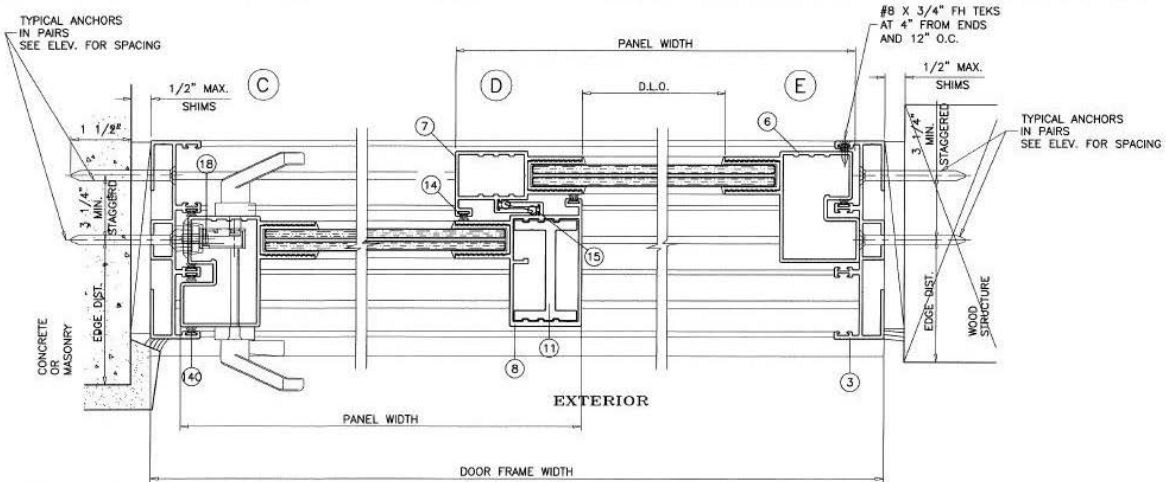


Reinforced Hi-Rise Series



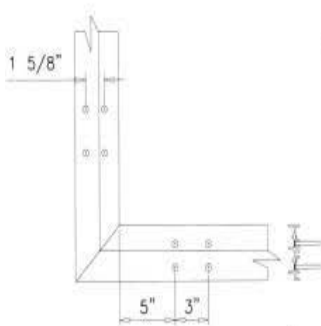
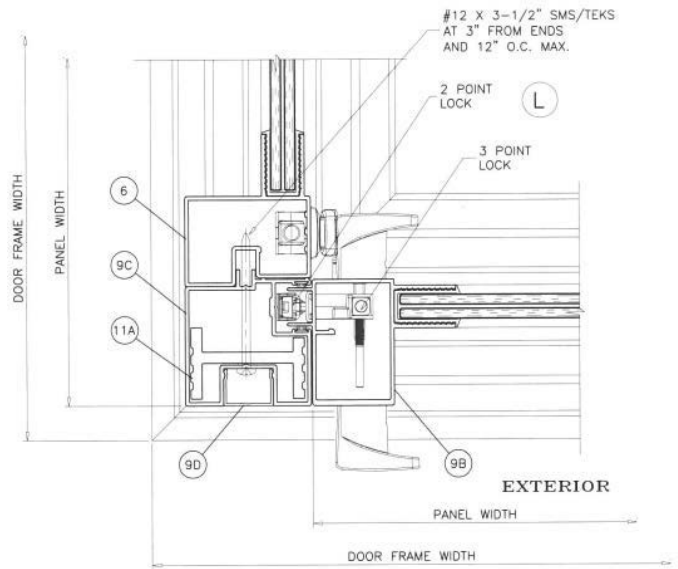
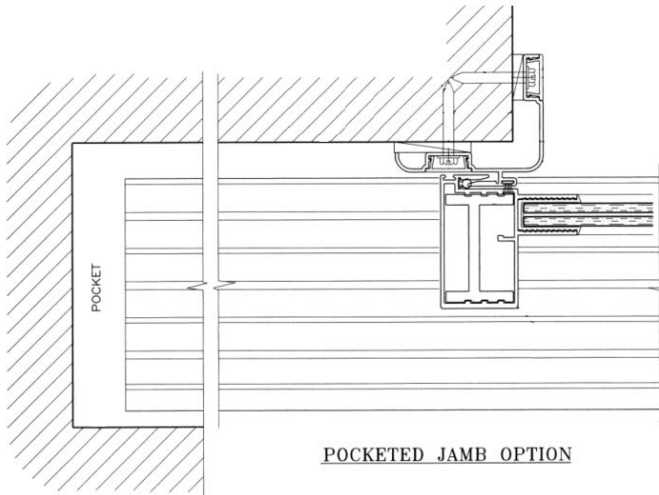


**Section Details COMSD 3.187 IZ4**

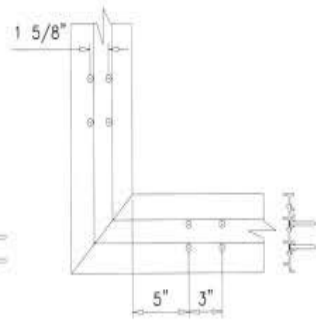


**Section Details COMSD CNR 3.187 IZ4**

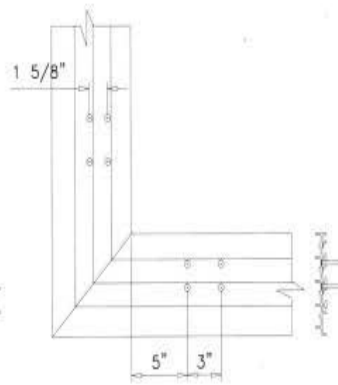
DETAILS APPLICABLE FOR OUTSIDE CORNERS ONLY  
 CORNER STILES CAN BE USED AT 2, 3, 4 AND 5 TRACK DOORS



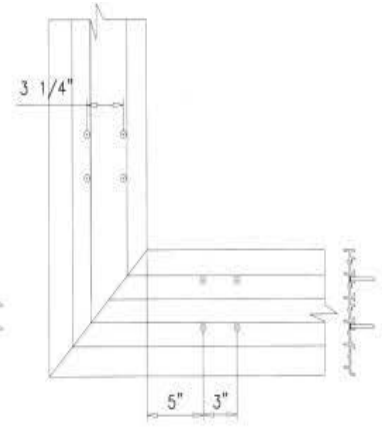
**TWO (2) TRACK**  
 (4) PAIRS



**THREE (3) TRACK**  
 (4) PAIRS



**FOUR (4) TRACK**  
 (4) PAIRS



**FIVE (5) TRACK**  
 (4) PAIRS