

Ultimate Wood Casement Push Out French

- Unit Features 1
- Egress and Vent Openings 2
- Daylight Measurements 3
- Minimum and Maximum Guidelines, Certified Sizes and Rating 4
- Conversion Tables 5
- Standard Unit Measurements 6
- Section Details: 3/4" IG Operator 7
- Section Details: 3/4" IG Picture 8
- Section Details: 1" IG Operator 9
- Section Details: 1" IG Picture 10
- Section Details: 3/4" IG and 1" IG Operator/Picture Wide Bottom Rail Option 11

Unit Features

Ultimate Wood French Casement Push Out: UWFCAPO

Ultimate Wood French Casement Push Out units feature two (2) sashes, that when open there is no mull post in the middle. (LH-Primary sash from exterior) (RH-Secondary sash from exterior)

UWFCAPO Hardware

- The primary sash includes a multi-point lock system with head and sill shoot bolts mounted flush to the side of the sash stile.
- The secondary sash includes a lock system with head and sill shoot bolts mounted flush to the side of the sash stile.
- The primary and secondary sash shoot bolts engage with a strike plate which is surface mounted to the head and sill.
- The lock system for both primary and secondary sash is each actuated by a single lock handle mounted on the interior face of the stile.
- The Push Out actuator lock is available in Brass (plated), Antique Brass (plated), and Satin Nickel (plated).
- The Push Out model features a robust adjustable friction limiter device to hold and lock the sash at multiple points.
- The hinges for UWFCAPO are connected to the sill and to the head jamb and are coated with E-Guard[®]. The hinges on 36" (914) wide to under 40" (1016) do not feature the wash/egress option, and use a 10" Dyad Hinge. Units that are 40" (1016) to under 51" (1295) use an 18" wash/egress hinge and units that are 51" (1295) to under 60" (1524) use a 22" wash/egress hinge. Coastal packages (stainless steel hinges) are also available.
- The standard crank handles are folding handles. The standard finish is Oil Rubbed Bronze with options for Satin Nickel, Brass and Antique Brass.

Egress and Vent Openings

CN	Clear Opening Width		Clear Opening Height		Egress Opening			Opening Vent Width		Opening Vent Height		Vent Opening	
	ft - in	mm	ft - in	mm	ft ²	m ²	E	ft - in	mm	ft - in	mm	ft ²	m ²
3632	1-8 7/8	(530)	2-3 5/64	(688)	3.93	(0.36)		2-8 15/16	(837)	2-3 5/64	(688)	6.19	(0.58)
3636	1-8 7/8	(530)	2-7 5/64	(789)	4.51	(0.42)		2-8 15/16	(837)	2-7 5/64	(789)	7.11	(0.66)
3640	1-8 7/8	(530)	2-11 5/64	(891)	5.09	(0.47)		2-8 15/16	(837)	2-11 5/64	(891)	8.02	(0.75)
3644	1-8 7/8	(530)	3-3 5/64	(993)	5.67	(0.53)		2-8 15/16	(837)	3-3 5/64	(993)	8.94	(0.83)
3648	1-8 7/8	(530)	3-7 5/64	(1094)	6.25	(0.58)	E	2-8 15/16	(837)	3-7 5/64	(1094)	9.85	(0.92)
3654	1-8 7/8	(530)	4-1 5/64	(1247)	7.12	(0.66)	E	2-8 15/16	(837)	4-1 5/64	(1247)	11.23	(1.04)
3656	1-8 7/8	(530)	4-3 5/64	(1297)	7.41	(0.69)	E	2-8 15/16	(837)	4-3 5/64	(1297)	11.68	(1.09)
3660	1-8 7/8	(530)	4-7 5/64	(1399)	7.99	(0.74)	E	2-8 15/16	(837)	4-7 5/64	(1399)	12.60	(1.17)
3664	1-8 7/8	(530)	4-11 5/64	(1501)	8.57	(0.80)	E	2-8 15/16	(837)	4-11 5/64	(1501)	13.51	(1.26)
3672 T	1-8 7/8	(530)	5-7 5/64	(1704)	9.73	(0.90)	E	2-8 15/16	(837)	5-7 5/64	(1704)	15.34	(1.43)
4032	2-5 27/32	(758)	2-3 5/64	(688)	5.61	(0.52)		3-0 15/16	(938)	2-3 5/64	(688)	6.95	(0.65)
4036	2-5 27/32	(758)	2-7 5/64	(789)	6.44	(0.60)	E	3-0 15/16	(938)	2-7 5/64	(789)	7.97	(0.74)
4040	2-5 27/32	(758)	2-11 5/64	(891)	7.27	(0.68)	E	3-0 15/16	(938)	2-11 5/64	(891)	9.00	(0.84)
4044	2-5 27/32	(758)	3-3 5/64	(993)	8.10	(0.75)	E	3-0 15/16	(938)	3-3 5/64	(993)	10.02	(0.93)
4048	2-5 27/32	(758)	3-7 5/64	(1094)	8.93	(0.83)	E	3-0 15/16	(938)	3-7 5/64	(1094)	11.05	(1.03)
4054	2-5 27/32	(758)	4-1 5/64	(1247)	10.17	(0.95)	E	3-0 15/16	(938)	4-1 5/64	(1247)	12.59	(1.17)
4056	2-5 27/32	(758)	4-3 5/64	(1297)	10.59	(0.98)	E	3-0 15/16	(938)	4-3 5/64	(1297)	13.10	(1.22)
4060	2-5 27/32	(758)	4-7 5/64	(1399)	11.42	(1.06)	E	3-0 15/16	(938)	4-7 5/64	(1399)	14.13	(1.31)
4064	2-5 27/32	(758)	4-11 5/64	(1501)	12.25	(1.14)	E	3-0 15/16	(938)	4-11 5/64	(1501)	15.15	(1.41)
4072 T	2-5 27/32	(758)	5-7 5/64	(1704)	13.90	(1.29)	E	3-0 15/16	(938)	5-7 5/64	(1704)	17.21	(1.60)
4832	3-1 27/32	(961)	2-3 5/64	(688)	7.12	(0.66)	E	3-8 15/16	(1141)	2-3 5/64	(688)	8.45	(0.79)
4836	3-1 27/32	(961)	2-7 5/64	(789)	8.17	(0.76)	E	3-8 15/16	(1141)	2-7 5/64	(789)	9.70	(0.90)
4840	3-1 27/32	(961)	2-11 5/64	(891)	9.22	(0.86)	E	3-8 15/16	(1141)	2-11 5/64	(891)	10.95	(1.02)
4844	3-1 27/32	(961)	3-3 5/64	(993)	10.27	(0.95)	E	3-8 15/16	(1141)	3-3 5/64	(993)	12.20	(1.13)
4848	3-1 27/32	(961)	3-7 5/64	(1094)	11.32	(1.05)	E	3-8 15/16	(1141)	3-7 5/64	(1094)	13.44	(1.25)
4854	3-1 27/32	(961)	4-1 5/64	(1247)	12.90	(1.20)	E	3-8 15/16	(1141)	4-1 5/64	(1247)	15.32	(1.42)
4856	3-1 27/32	(961)	4-3 5/64	(1297)	13.42	(1.25)	E	3-8 15/16	(1141)	4-3 5/64	(1297)	15.94	(1.48)
4860	3-1 27/32	(961)	4-7 5/64	(1399)	14.48	(1.34)	E	3-8 15/16	(1141)	4-7 5/64	(1399)	17.19	(1.60)
4864	3-1 27/32	(961)	4-11 5/64	(1501)	15.53	(1.44)	E	3-8 15/16	(1141)	4-11 5/64	(1501)	18.44	(1.71)
4872 T	3-1 27/32	(961)	5-7 5/64	(1704)	17.63	(1.64)	E	3-8 15/16	(1141)	5-7 5/64	(1704)	20.93	(1.94)
5632	3-9 27/32	(1164)	2-3 5/64	(688)	8.62	(0.80)	E	4-4 15/16	(1345)	2-3 5/64	(688)	9.96	(0.92)
5636	3-9 27/32	(1164)	2-7 5/64	(789)	9.90	(0.92)	E	4-4 15/16	(1345)	2-7 5/64	(789)	11.43	(1.06)
5640	3-9 27/32	(1164)	2-11 5/64	(891)	11.17	(1.04)	E	4-4 15/16	(1345)	2-11 5/64	(891)	12.90	(1.20)
5644	3-9 27/32	(1164)	3-3 5/64	(993)	12.44	(1.16)	E	4-4 15/16	(1345)	3-3 5/64	(993)	14.37	(1.33)
5648	3-9 27/32	(1164)	3-7 5/64	(1094)	13.72	(1.27)	E	4-4 15/16	(1345)	3-7 5/64	(1094)	15.84	(1.47)
5654	3-9 27/32	(1164)	4-1 5/64	(1247)	15.63	(1.45)	E	4-4 15/16	(1345)	4-1 5/64	(1247)	18.04	(1.68)
5656	3-9 27/32	(1164)	4-3 5/64	(1297)	16.26	(1.51)	E	4-4 15/16	(1345)	4-3 5/64	(1297)	18.78	(1.74)
5660	3-9 27/32	(1164)	4-7 5/64	(1399)	17.54	(1.63)	E	4-4 15/16	(1345)	4-7 5/64	(1399)	20.25	(1.88)
5664	3-9 27/32	(1164)	4-11 5/64	(1501)	18.81	(1.75)	E	4-4 15/16	(1345)	4-11 5/64	(1501)	21.72	(2.02)
5672 T	3-9 27/32	(1164)	5-7 5/64	(1704)	21.36	(1.98)	E	4-4 15/16	(1345)	5-7 5/64	(1704)	24.66	(2.29)
6032	4-1 27/32	(1266)	2-3 5/64	(688)	9.37	(0.87)	E	4-8 15/16	(1446)	2-3 5/64	(688)	10.71	(0.99)
6036	4-1 27/32	(1266)	2-7 5/64	(789)	10.76	(1.00)	E	4-8 15/16	(1446)	2-7 5/64	(789)	12.29	(1.14)
6040	4-1 27/32	(1266)	2-11 5/64	(891)	12.14	(1.13)	E	4-8 15/16	(1446)	2-11 5/64	(891)	13.87	(1.29)
6044	4-1 27/32	(1266)	3-3 5/64	(993)	13.53	(1.26)	E	4-8 15/16	(1446)	3-3 5/64	(993)	15.45	(1.44)
6048	4-1 27/32	(1266)	3-7 5/64	(1094)	14.91	(1.39)	E	4-8 15/16	(1446)	3-7 5/64	(1094)	17.03	(1.58)
6054	4-1 27/32	(1266)	4-1 5/64	(1247)	16.99	(1.58)	E	4-8 15/16	(1446)	4-1 5/64	(1247)	19.41	(1.80)
6056	4-1 27/32	(1266)	4-3 5/64	(1297)	17.68	(1.64)	E	4-8 15/16	(1446)	4-3 5/64	(1297)	20.20	(1.88)
6060	4-1 27/32	(1266)	4-7 5/64	(1399)	19.07	(1.77)	E	4-8 15/16	(1446)	4-7 5/64	(1399)	21.78	(2.02)
6064 T	4-1 27/32	(1266)	4-11 5/64	(1501)	20.45	(1.90)	E	4-8 15/16	(1446)	4-11 5/64	(1501)	23.36	(2.17)
6072 T	4-1 27/32	(1266)	5-7 5/64	(1704)	23.22	(2.16)	E	4-8 15/16	(1446)	5-7 5/64	(1704)	26.52	(2.46)

Daylight Measurements

Ultimate Wood Casement Push Out French Daylight Measurements		Width										
		CN	36		40		48		56		60	
		DLO	1-0 55/64 (327)	1-2 55/64 (378)	1-6 55/64 (479)	1-10 55/64 (581)	2-0 55/64 (632)					
CN	DLO Height	Square Feet (Square Meters)										
		Standard Bottom Rail										
32	2-1 21/64 (643)	2.26 (0.21)	2.61 (0.24)	3.32 (0.31)	4.02 (0.37)	4.37 (0.41)						
36	2-5 21/64 (745)	2.62 (0.24)	3.03 (0.28)	3.84 (0.36)	4.66 (0.43)	5.06 (0.47)						
40	2-9 21/64 (847)	2.98 (0.28)	3.44 (0.32)	4.37 (0.41)	5.29 (0.49)	5.76 (0.53)						
44	3-1 21/64 (948)	3.33 (0.31)	3.85 (0.36)	4.89 (0.45)	5.93 (0.55)	6.45 (0.60)						
48	3-5 21/64 (1050)	3.69 (0.34)	4.27 (0.40)	5.41 (0.50)	6.56 (0.61)	7.14 (0.66)						
54	3-11 21/64 (1202)	4.23 (0.39)	4.89 (0.45)	6.20 (0.58)	7.52 (0.70)	8.17 (0.76)						
56	4-1 21/64 (1253)	4.41 (0.41)	5.09 (0.47)	6.46 (0.60)	7.83 (0.73)	8.52 (0.79)						
60	4-5 21/64 (1355)	4.76 (0.44)	5.50 (0.51)	6.99 (0.65)	8.47 (0.79)	9.21 (0.86)						
64	4-9 21/64 (1456)	5.12 (0.48)	5.92 (0.55)	7.51 (0.70)	9.10 (0.85)	9.90 (0.92)						
72	5-5 21/64 (1659)	5.84 (0.54)	6.74 (0.63)	8.56 (0.80)	10.37 (0.96)	11.28 (1.05)						
		Tall Bottom Rail										
32	1-11 53/64 (605)	2.13 (0.20)	2.46 (0.23)	3.12 (0.29)	3.78 (0.35)	4.11 (0.38)						
36	2-3 53/64 (707)	2.49 (0.23)	2.87 (0.27)	3.65 (0.34)	4.42 (0.41)	4.81 (0.45)						
40	2-7 53/64 (809)	2.84 (0.26)	3.29 (0.31)	4.17 (0.39)	5.05 (0.47)	5.50 (0.51)						
44	2-11 53/64 (910)	3.20 (0.30)	3.70 (0.34)	4.69 (0.44)	5.69 (0.53)	6.19 (0.57)						
48	3-3 53/64 (1012)	3.56 (0.33)	4.11 (0.38)	5.22 (0.48)	6.32 (0.59)	6.88 (0.64)						
54	3-9 53/64 (1164)	4.09 (0.38)	4.73 (0.44)	6.00 (0.56)	7.28 (0.68)	7.91 (0.74)						
56	3-11 53/64 (1215)	4.27 (0.40)	4.94 (0.46)	6.27 (0.58)	7.59 (0.71)	8.26 (0.77)						
60	4-3 53/64 (1317)	4.63 (0.43)	5.35 (0.50)	6.79 (0.63)	8.23 (0.76)	8.95 (0.83)						
64	4-7 53/64 (1418)	4.99 (0.46)	5.76 (0.54)	7.31 (0.68)	8.86 (0.82)	9.64 (0.90)						
72	5-3 53/64 (1621)	5.70 (0.53)	6.59 (0.61)	8.36 (0.78)	10.13 (0.94)	11.02 (1.02)						

Minimum and Maximum Guidelines, Certified Sizes and Rating

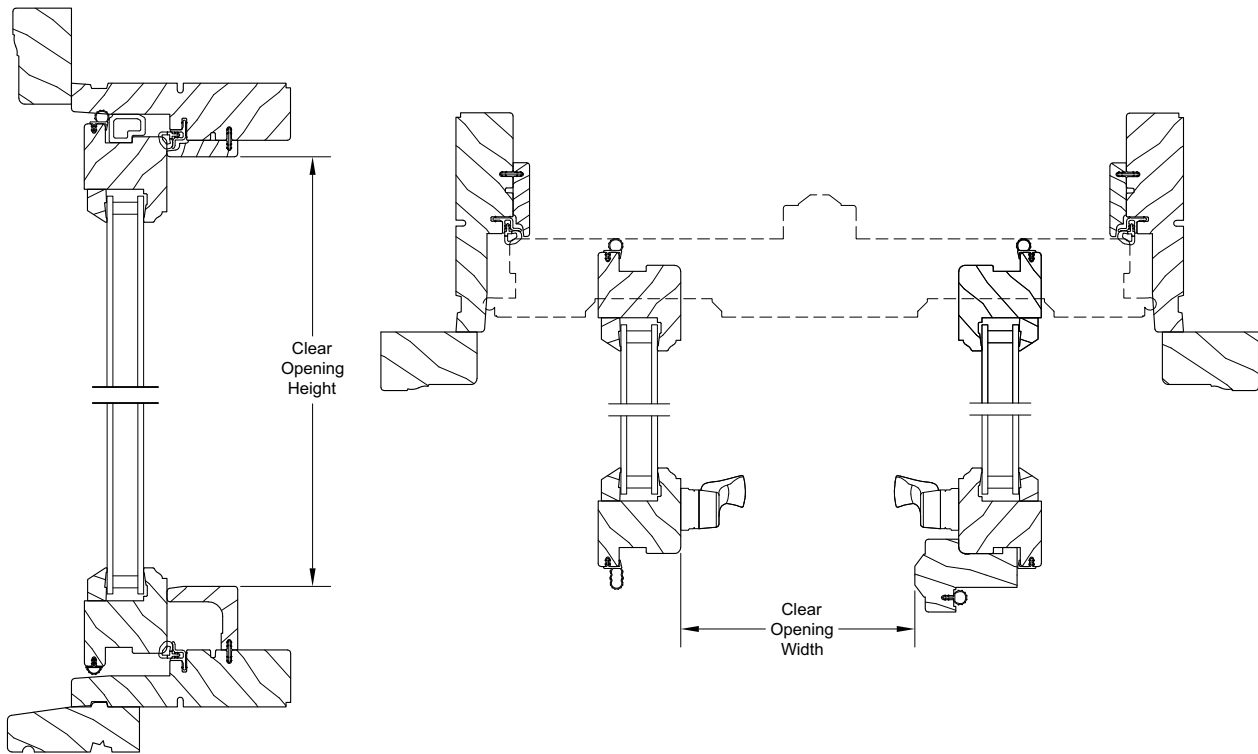
Full Frame Minimum and Maximum Frame Size, Certified								
Unit Type	Min Width		Min Height		Max Width		Max Height	
	in	mm	in	mm	in	mm	in	mm
UWFCAPO	32	(813)	21	(533)	60	(1524)	72 1/16	(1830)

Full Frame Minimum and Maximum Frame Size, Non-Certified								
Unit Type	Min Width		Min Height		Max Width		Max Height	
	in	mm	in	mm	in	mm	in	mm
UWFCAPO	32	(813)	21	(533)	72	(1829)	96 1/2	(2451)

Product	Air Tested to psf	Water Tested to psf	Structural Overload Tested to psf	Certification Rating	Max Width In	Max Height In	Max Width mm	Max Height mm
Ultimate Wood French Casement Push Out SG & 3/4" (Full Frame)	1.57	7.5	75	LC-PG50	56	60.06	1422	1526
Ultimate Wood French Casement Push Out SG & 3/4" (Full Frame)	1.57	7.5	60	LC-PG40	60	72.06	1524	1830

Conversion Tables

Unit Measurements		Width		Height		
From	To					
Rough Opening			in	mm	in	mm
OM of Frame	Rough Opening		+ 1	(25)	+ 1/2	(13)
Masonry Opening w/BMC	Rough Opening		-2 5/8	(67)	+ 1/4	(06)
Sash			in	mm	in	mm
OM of Frame	OM of Sash	± 2	-1 11/16	(43)	-1 11/16	(43)
Daylight Opening (Std Btm Rail)	OM of Sash		+ 4 7/64	(104)	+ 4 7/64	(104)
Daylight Opening (Tall Btm Rail)	OM of Sash		+ 4 7/64	(104)	+ 5 7/64	(130)
Glass			in	mm	in	mm
Daylight Opening	Glass		+ 1 3/32	(28)	+ 1 3/32	(28)
Screen			in	mm	in	mm
OM of Frame	OM of Screen		-2 37/64	(66)	-2 37/64	(66)



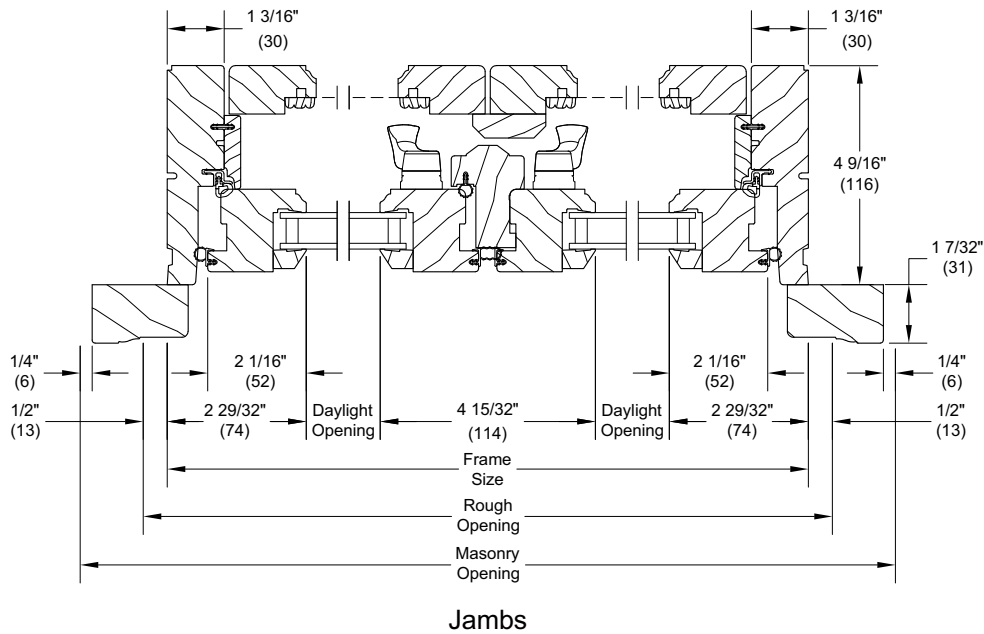
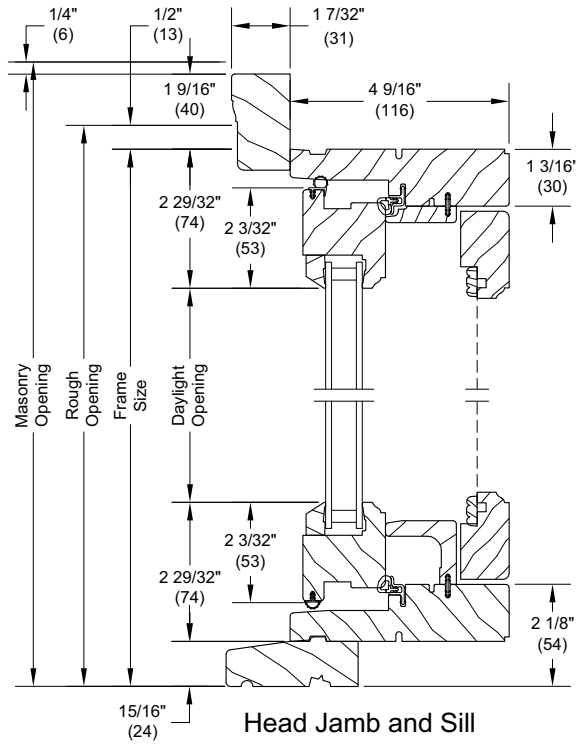
Standard Unit Measurements

Standard Ultimate Wood French Casement Push Out Unit Measurements									
Width									
CN	Masonry Opening		Rough Opening		Frame Size		Daylight Opening		
	ft - in	mm	ft - in	mm	ft - in	mm	ft - in	mm	
36	3-0 1/2	(927)	3-1	(940)	3-0	(914)	1-0 55/64	(327)	
40	3-4 1/2	(1029)	3-5	(1041)	3-4	(1016)	1-2 55/64	(378)	
48	4-0 1/2	(1232)	4-1	(1245)	4-0	(1219)	1-6 55/64	(479)	
56	4-8 1/2	(1435)	4-9	(1448)	4-8	(1422)	1-10 55/64	(581)	
60	5-0 1/2	(1537)	5-1	(1549)	5-0	(1524)	2-0 55/64	(632)	

Standard Ultimate Wood French Casement Push Out Unit Measurements										
Height										
CN	Masonry Opening		Rough Opening		Frame Size (w/subsill)		Daylight Opening (Std Bottom Rail)		Daylight Opening (Tall Bottom Rail)	
	ft - in	mm	ft - in	mm	ft - in	mm	ft - in	mm	ft - in	mm
32	2-8 5/16	(821)	2-8 9/16	(827)	2-8 1/16	(814)	2-1 21/64	(643)	1-11 53/64	(605)
36	3-0 5/16	(922)	3-0 9/16	(929)	3-0 1/16	(916)	2-5 21/64	(745)	2-3 53/64	(707)
40	3-4 5/16	(1024)	3-4 9/16	(1030)	3-4 1/16	(1018)	2-9 21/64	(847)	2-7 53/64	(809)
44	3-8 5/16	(1126)	3-8 9/16	(1132)	3-8 1/16	(1119)	3-1 21/64	(948)	2-11 53/64	(910)
48	4-0 5/16	(1227)	4-0 9/16	(1233)	4-0 1/16	(1221)	3-5 21/64	(1050)	3-3 53/64	(1012)
54	4-6 5/16	(1380)	4-6 9/16	(1386)	4-6 1/16	(1373)	3-11 21/64	(1202)	3-9 53/64	(1164)
56	4-8 5/16	(1430)	4-8 9/16	(1437)	4-8 1/16	(1424)	4-1 21/64	(1253)	3-11 53/64	(1215)
60	5-0 5/16	(1532)	5-0 9/16	(1538)	5-0 1/16	(1526)	4-5 21/64	(1355)	4-3 53/64	(1317)
64	5-4 5/16	(1634)	5-4 9/16	(1640)	5-4 1/16	(1627)	4-9 21/64	(1456)	4-7 53/64	(1418)
72	6-0 5/16	(1837)	6-0 9/16	(1843)	6-0 1/16	(1830)	5-5 21/64	(1659)	5-3 53/64	(1621)

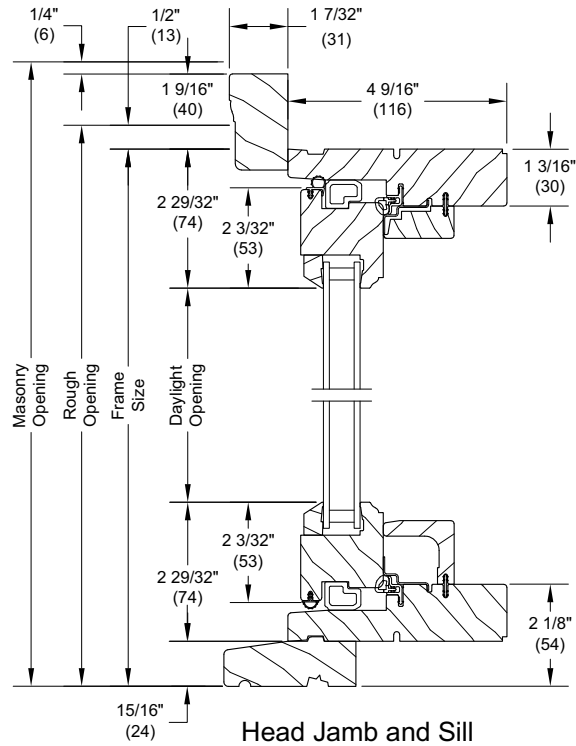
Section Details: 3/4" IG Operator

Scale: 3" = 1' 0"

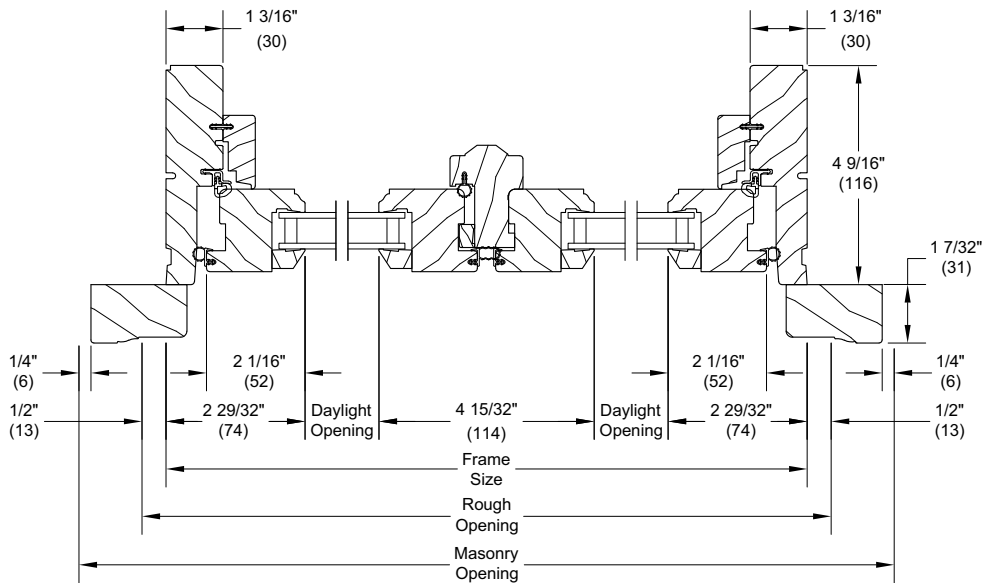


Section Details: 3/4" IG Picture

Scale: 3" = 1' 0"



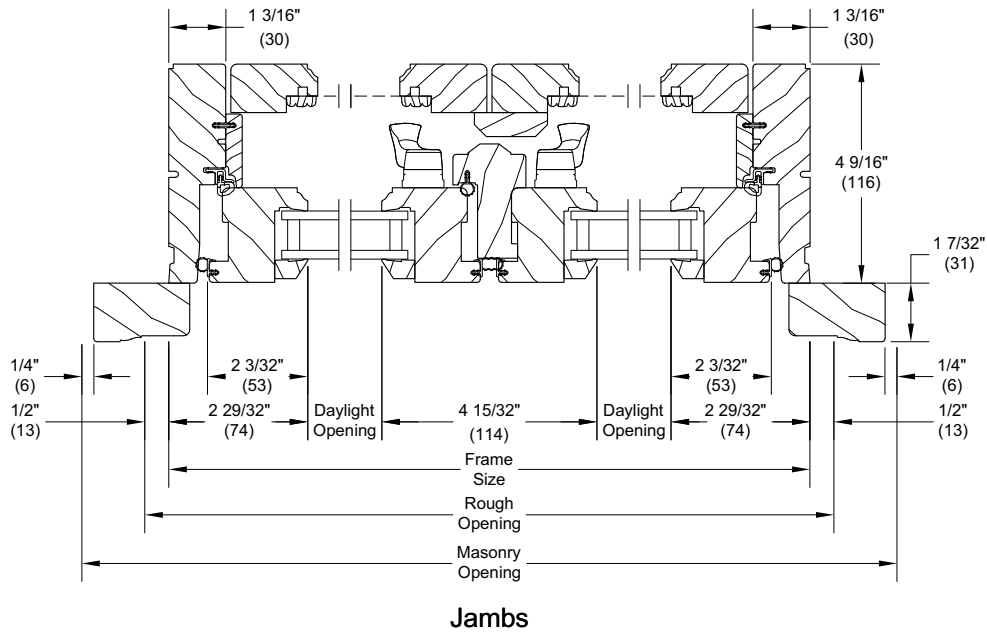
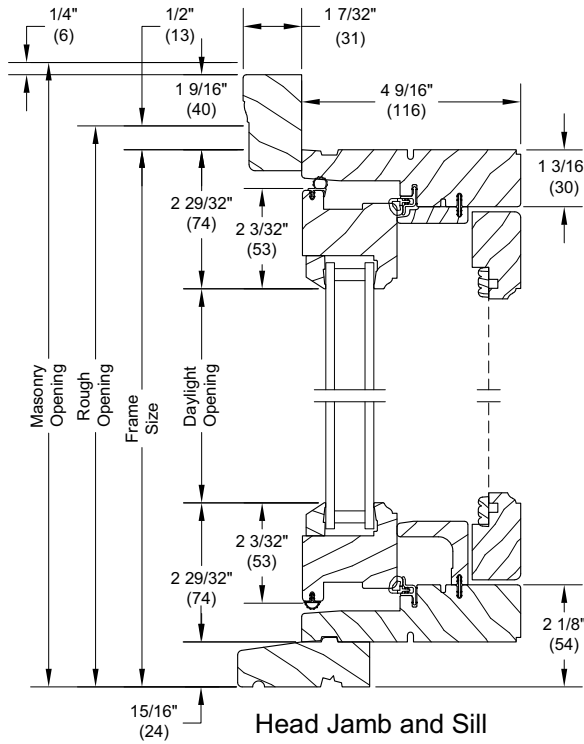
Head Jamb and Sill



Jamb

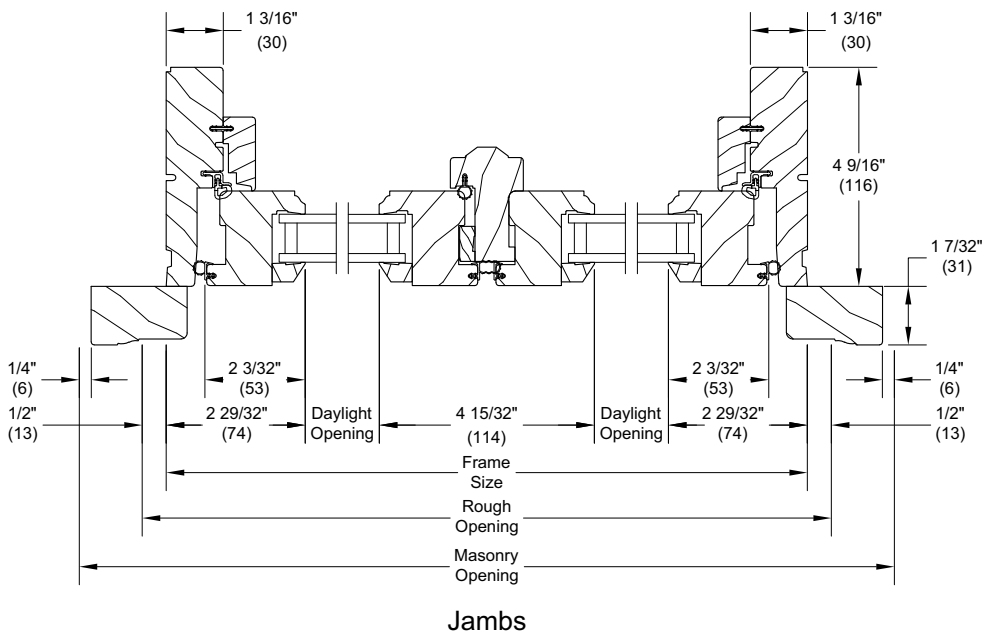
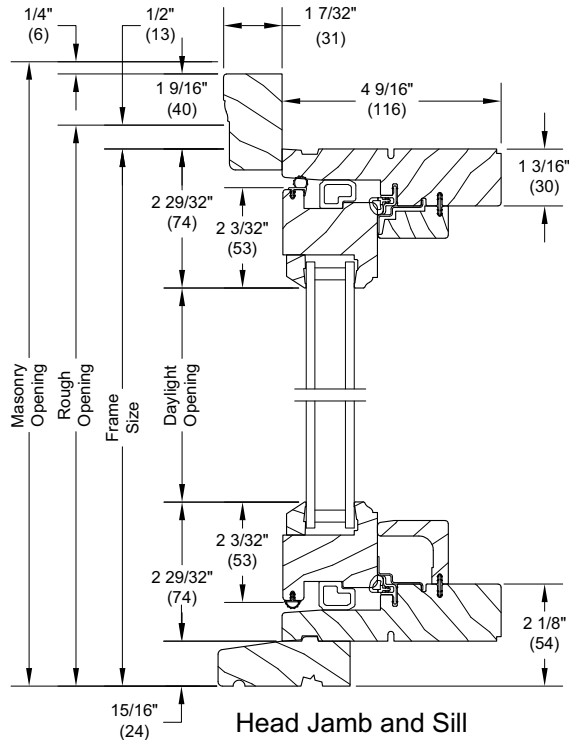
Section Details: 1" IG Operator

Scale: 3" = 1' 0"



Section Details: 1" IG Picture

Scale: 3" = 1' 0"



Section Details: 3/4" IG and 1" IG Operator/Picture Wide Bottom Rail Option

Scale: 3" = 1' 0"

