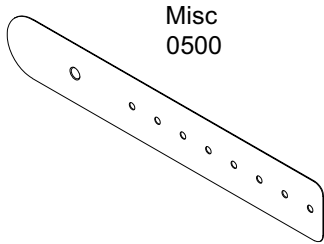


Ultimate Accessories

Installation Bracket, Nailing Fin, Drip Cap and Jamb Extension	1
Interior Trim and Interior Round Top Trim	3
Wood Exterior Mullion Trim and Wood Exterior Casing	4
Wood Subsills	5
Wood Special Profile Exterior Casings	7
Clad Extrusion / Clad Casing	9
Clad Special Subsill Profiles	11
Lineal Subsill Caps / End Caps	12
Round Top Shapes	13
Clad Special Application for Windows - Casing All Sides	14
Clad Special Application for Windows - Columbus Casing Stick Construction	15
Clad Special Application for Windows - Columbus Casing Masonry Construction	16
Clad Special Casing for Windows - Grayson Casing Stick Construction	17
Clad Special Casing for Windows - Grayson Casing Masonry Construction	18
Clad Special Casing for Windows - 1 1/2" Clad Flat Casing Stick Construction	19
Clad Special Casing for Windows - 1 1/2" Clad Flat Casing Masonry Construction	20
Clad Special Casing for Windows - Ridgeland Casing Masonry Construction	21
Clad Special Casing for Windows - Stratton Casing Masonry	22
Clad Special Casing for Windows - Thorton Casing Masonry Construction	23
Clad Special Casing for Windows - Potter Casing Wood Frame Construction	24
Clad Special Casing for Windows - Potter with Trim Casing Masonry Construction	25
Wood Special Casing for Windows - Special Casing 3 (SPC3)	26
Wood Special Casing for Windows - Special Casing 7 (SPC7)	27
Wood Special Casing for Windows - Special Casing 21 (SPC21)	28
Wood Special Casing for Windows - Special Casing 18 (SPC18)	29
Wood Special Casing for Windows - Special Casing 26 (SPC26)	30
Clad Special Casing for Doors - Wood Frame Construction - All Casings Options	31
Clad Special Casing for Doors - Masonry Construction - All Casing Options	32
Clad Applications	33

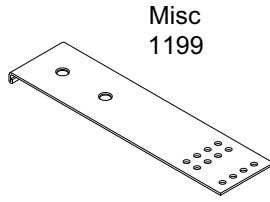
Installation Bracket, Nailing Fin, Drip Cap and Jamb Extension

Not to Scale



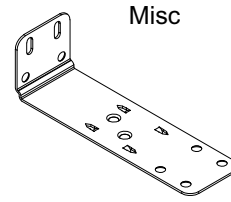
Misc
0500

Installation Bracket
Misc. 0500 - 15 3/8" (391), or
Misc. 076 - 9 3/8" (238), or
Misc. 048 - 6 3/8" (162) lengths
Includes flathead wood screws



Misc
1199

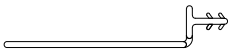
Structural Masonry Bracket
Misc. 1199 - 6 3/8" (391) or
10" (254) lengths
Includes flathead wood screws



Misc

**Structural Bracket,
4 9/16"**

Installation Fin / Drip Cap



V084
NAILING FIN



V087
CONNECTING BARB



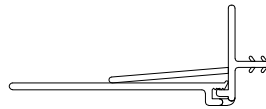
V088 NAILING FIN Radius, for use at
Round Top Unit



V104 NAILING FIN - For use at Side jambs



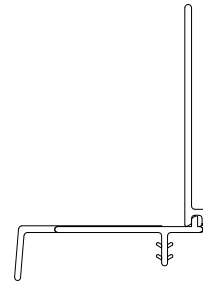
V226
DRIP CAP - VINYL
- For use at Head Jamb.
Optional for Ultimate Wood Round Top
units



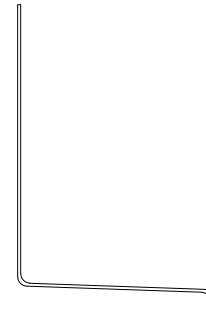
V110
HINGED VINYL NAILING FIN
- For use with Ultimate Round Top Units



V112
HINGED VINYL NAILING FIN-SIDE
- For use at side jambs and sill for Bow
and Bay assemblies



V119
DRIP CAP-VINYL
- For use at Head Jamb.
For use with wood or clad unit including Brick Mould Casing.

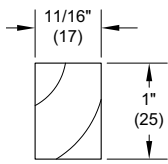


A100
DRIP CAP-ALUMINUM

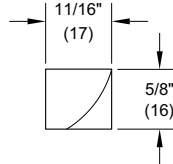
-For use at Head Jamb.
For use with wood or clad unit including
Brick Mould Casing.
Available in Bronze, Brown, Evergreen,
Pebble Gray and White

Jamb Extension

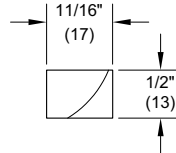
Not to Scale



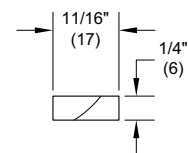
W6120 - 1" (25)
W6279 - 2' (51)
W6378 - 3" (76)
W6380 - 12" (305)



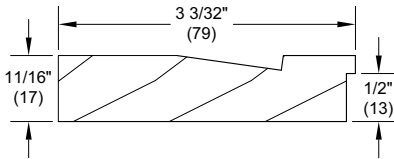
W6012
4 9/16" to 5 3/16"
(116 to 132)



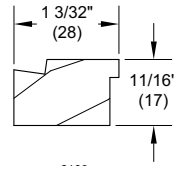
W6011
4 9/16" to 5 1/16"
(116 to 129)



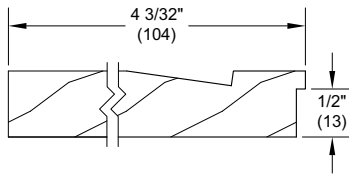
W6010
4 9/16" to 4 13/16"
(116 to 122)



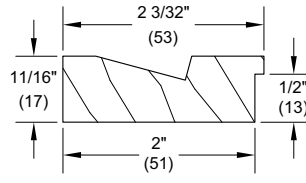
W1071 - 3" (76) For UWDH



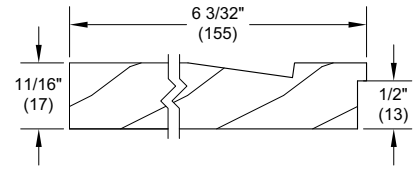
W2109 - 1" (25) For UWDH



W1069 - 4" (102) For UWDH



W2059 - 2" (51) For UWDH

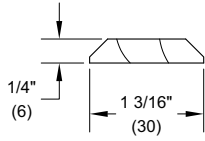


W1067 - 6" (152) For UWDH

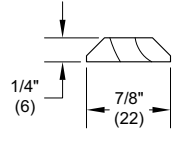
Interior Trim and Interior Round Top Trim

Not to Scale

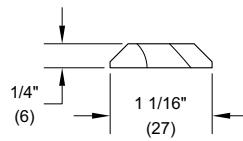
Interior Trim



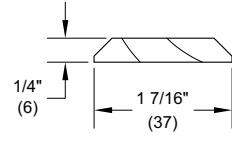
W1065 - Mullion Trim For UWDH Vertical



W1195 - Mullion Trim For Ultimate Wood Inswing French Door

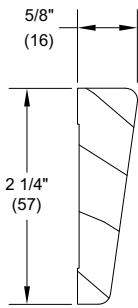


W1241 - Mullion Trim Ultimate Tilt-Turn, Hopper

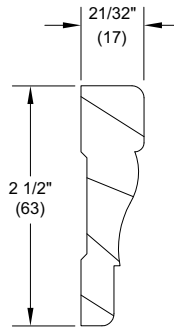


W1242 - Mullion Trim

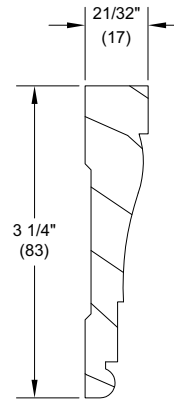
Interior Round Top (Available in Oak or Pine)



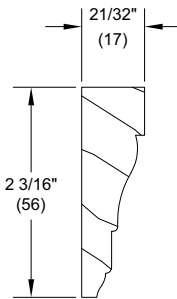
W1144 - Used as optional interior casing for RT and Arch French Door Only



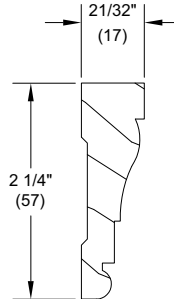
W1351 - Used as optional interior casing for RT and Arch French Door Only



W1445- Used as optional interior casing for RT and Arch French Door Only



W1366 - Used as optional interior casing for RT and Arch French Door Only

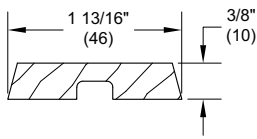


W1376 - Used as optional interior casing for RT and Arch French Door Only

Wood Exterior Mullion Trim and Wood Exterior Casing

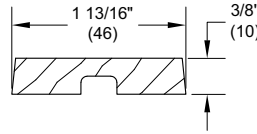
Not to Scale

Wood Exterior Mullion Trim



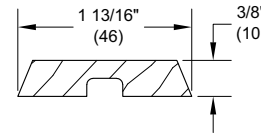
W1185

W1034 - For Ultimate Gilder



W1189

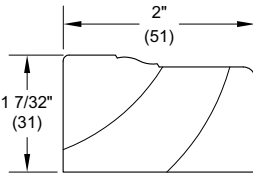
W1094 - For Ultimate Wood Double Hung Magnum



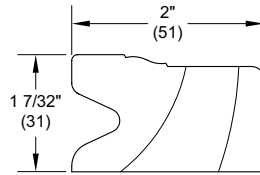
W1187

W1242 - for 3/8" Mullion Reinforcement

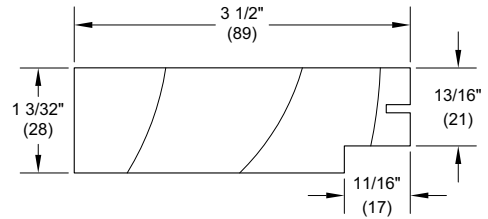
Exterior Casing



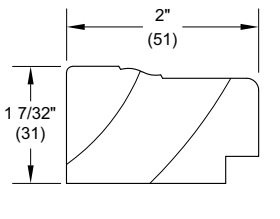
W1047 - Brick Mould Casing



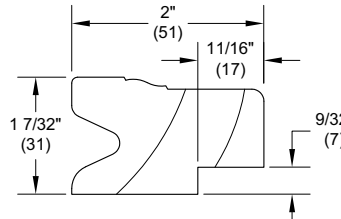
W1039 - Stucco Brick Mould Casing



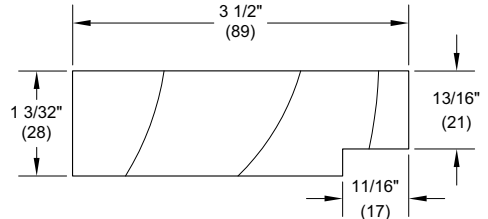
W1047 - Flat Casing
Top casing for Sliding, Swinging and French Doors Includes Screen Kerf



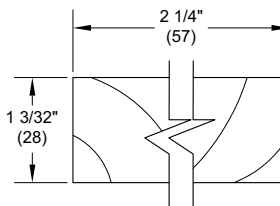
W6533 - Brick Mould Casing For Ultimate Sliding French Door



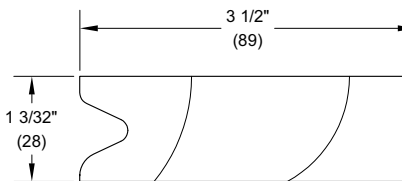
W1049 - Stucco Brick Mould Casing
Side Casing for Ultimate Sliding, Swinging and French Doors



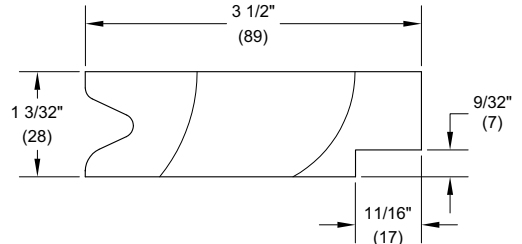
W1076 - Flat Casing
Side Casing for Ultimate Sliding, Swinging and French Doors



Flat Casing
available from 2" to 10"



W1035 - Stucco Flat Casing
3 1/2" for top casing

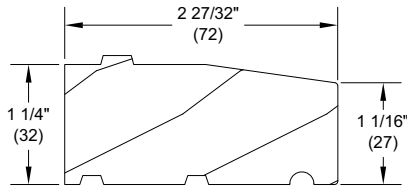


W1030 - Stucco Flat Casing
3 1/2" for side casing

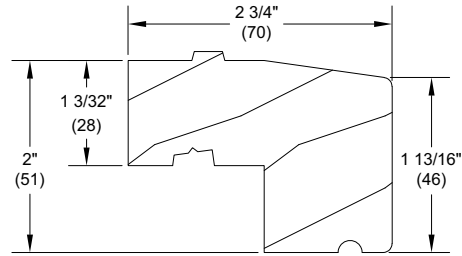
NOTE: 5/4 casing greater than 10", contact your Marvin representative

Wood Subsills

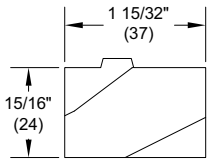
Not to Scale



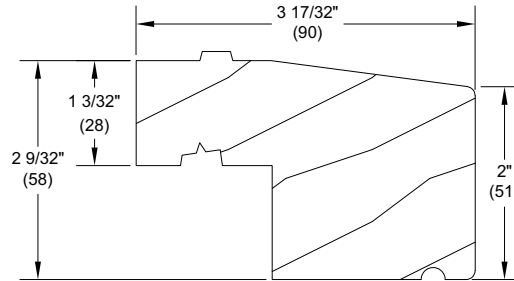
W2122 - Narrow Subsill



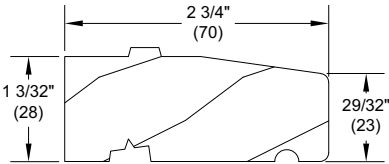
W2165 - 2" Thick Subsill (UWDH)



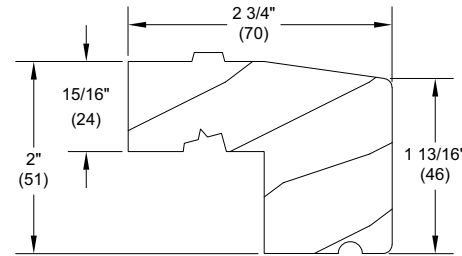
W2124 - Cut Back Subsill



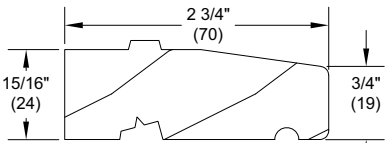
W8063 - 2" Extended Thick Subsill (UWDH)



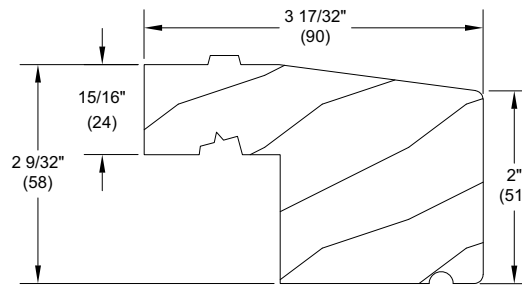
W2134 - Subsill (UWDH)



W10340 - 2" Simulated Thick Subsill (UWCA)



W10333 - Subsill (UWCA)

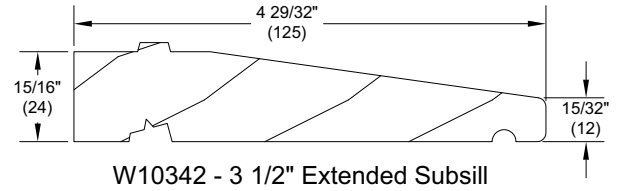
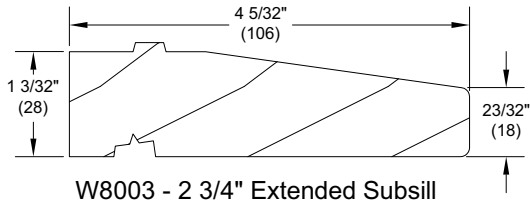
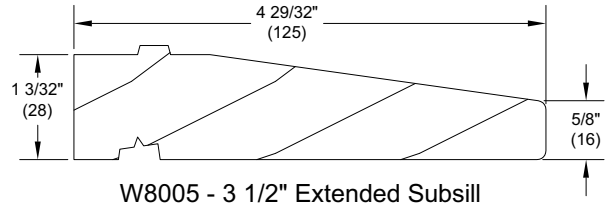
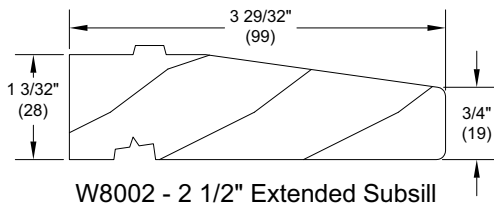


W10341 - 2" Extended Simulated Thick Subsill (UWCA)

NOTE: For product compatibility, see chart on next page.

Wood Subsills

Not to Scale

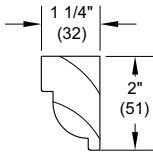


NOTE: For product compatibility, see chart below.

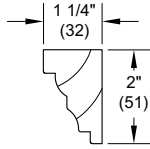
Part #	Description	Product Compatibility
W8063	2" Simulated Thick Subsill	UWDH, UWDHP, UWDHT, UWDH RT, UWDHRTP, UWDHRTTR, UWDHM, UWDHMP, UWDHMT, UWDHMRT, UWDHMRTTP, UWDHMRTTR
W10341	2" Extended Simulated Thick Subsill	UWCA, UAWAN, UWCAP, UWCAPO, UAWANPO, UWCAPOP, UWCART, UWDG, UWGL, UWCAPOLY, UWCAF, UWCAPOFR
W10340	2" Simulated Thick Subsill	UWCA, UAWAN, UWCAP, UWCAPO, UAWANPO, UWCAPOP, UWCART, UWDG, UWGL, UWCAPOLY, UWCAF, UWCAPOFR
W2165	2" Simulated Thick Subsill	UWDH, UWDHP, UWDHT, UWDH RT, UWDHRTP, UWDHRTTR, UWDHM, UWDHMP, UWDHMT, UWDHMRT, UWDHMRTTP, UWDHMRTTR
W2122	Narrow Subsill	UWTT
W2124	Cut Back Subsill	UWTT
W2134	Subsill	UWDH, UWDHP, UWDHT, UWDH RT, UWDHRTP, UWDHRTTR, UWDHM, UWDHMP, UWDHMTR, UWDHMRT, UWDHMRTTP, UWDHMRTTR
W10333	Subsill	UWCA, UAWAN, UWCAP, UWCAPO, UAWANPO, UWCAPOP, UWCART, UWDG, UWGL, UWCAPOLY, UWCAF, UWCAPOFR
W2120	Extended Subsill	UWTT
W8002	2 1/2" Extended Subsill	UWDH, UWDHP, UWDHT, UWDH RT, UWDHRTP, UWDHRTTR, UWDHM, UWDHMP, UWDHMTR, UWDHMRT, UWDHMRTTP, UWDHMRTTR
W8003	2 3/4" Extended Subsill	UWDH, UWDHP, UWDHT, UWDH RT, UWDHRTP, UWDHRTTR, UWDHM, UWDHMP, UWDHMTR, UWDHMRT, UWDHMRTTP, UWDHMRTTR
W8004	3" Extended Subsill	UWDH, UWDHP, UWDHT, UWDH RT, UWDHRTP, UWDHRTTR, UWDHM, UWDHMP, UWDHMTR, UWDHMRT, UWDHMRTTP, UWDHMRTTR
W8005	3 1/2" Extended Subsill	UWDH, UWDHP, UWDHT, UWDH RT, UWDHRTP, UWDHRTTR, UWDHM, UWDHMP, UWDHMTR, UWDHMRT, UWDHMRTTP, UWDHMRTTR
W10342	3 1/2" Extended Subsill	UWCA, UAWAN, UWCAP, UWCAPO, UAWANPO, UWCAPOP, UWCART, UWDG, UWGL, UWCAPOLY, UWCAF, UWCAPOFR

Wood Special Profile Exterior Casings

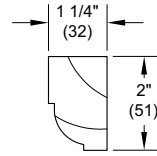
These sections illustrate the profile of each special casing and their dimensions. Each casing is labeled with its availability for lineal and/or round top units. Not all casings are applicable and varying conditions may require consideration for units including screens, combinations, mullions, etc. and may require extended sills. Illustrations shown are not to scale.



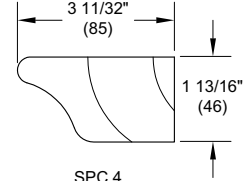
SPC 1
Lineal Only



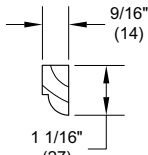
SPC 2
Lineal & Round Top



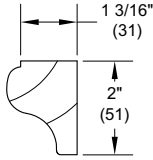
SPC 3
Lineal & Round Top



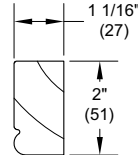
SPC 4
Lineal & Round Top



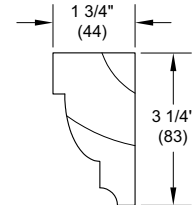
SPC 5
Lineal Only



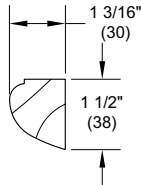
SPC 6
Lineal & Round Top



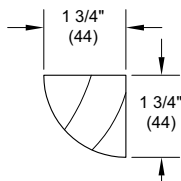
SPC 7
Lineal & Round Top



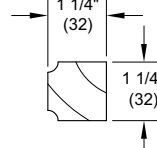
SPC 8
Lineal & Round Top



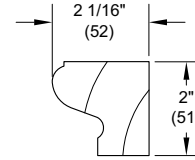
SPC 9
Lineal & Round Top



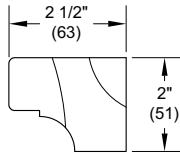
SPC 10
Lineal & Round Top



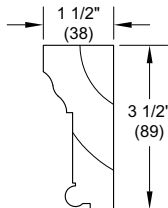
SPC 11
Lineal Only



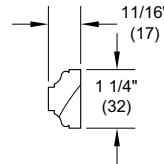
SPC 12
Lineal & Round Top



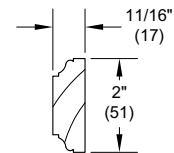
SPC 13
Lineal & Round Top



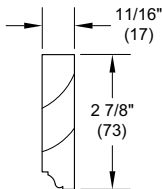
SPC 14
Lineal & Round Top



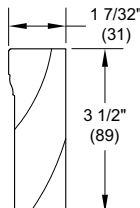
SPC 15
Lineal Only



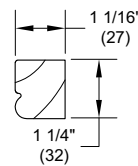
SPC 16
Lineal Only



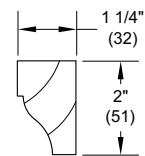
SPC 17
Lineal Only



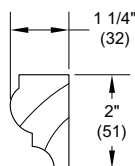
SPC 18
Lineal & Round Top



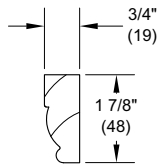
SPC 19
Lineal & Round Top



SPC 20
Lineal & Round Top



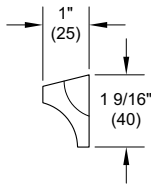
SPC 21
Lineal & Round Top



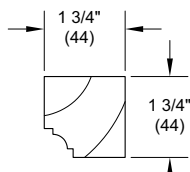
SPC 22
Lineal Only

Wood Special Profile Exterior Casings

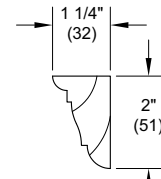
Not to Scale



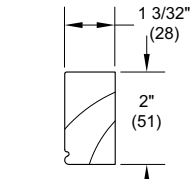
SPC 23
Lineal Only



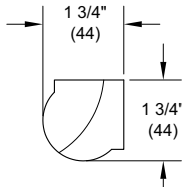
SPC 24
Lineal & Round Top



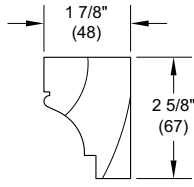
SPC 25
Lineal & Round Top



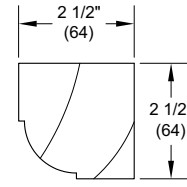
SPC 26
Lineal & Round Top



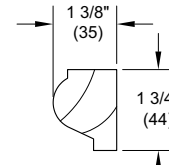
SPC 27
Lineal & Round Top



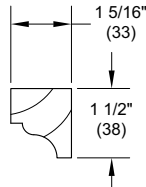
SPC 28
Lineal & Round Top



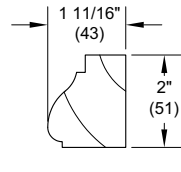
SPC 29
Lineal & Round Top



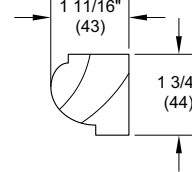
SPC 30
Lineal & Round Top



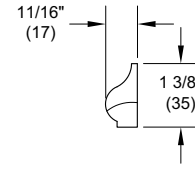
SPC 31
Lineal & Round Top



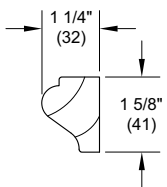
SPC 33
Lineal Only



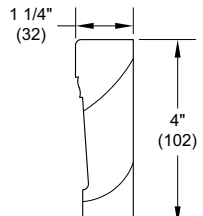
SPC 34
Lineal Only



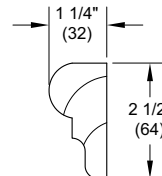
SPC 35
Lineal Only



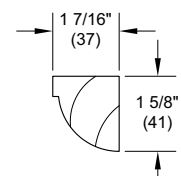
SPC 36
Lineal & Round Top



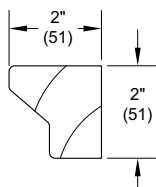
SPC 37
Lineal Only



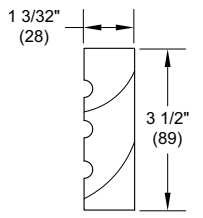
SPC 38
Lineal Only



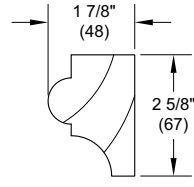
SPC 39
Lineal Only



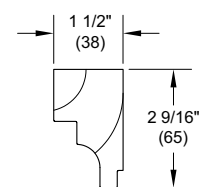
SPC 40
Lineal Only



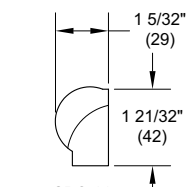
SPC 41
Lineal Only



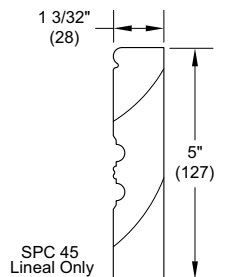
SPC 42
Lineal & Round Top



SPC 43
Lineal & Round Top



SPC 44
Lineal & Round Top

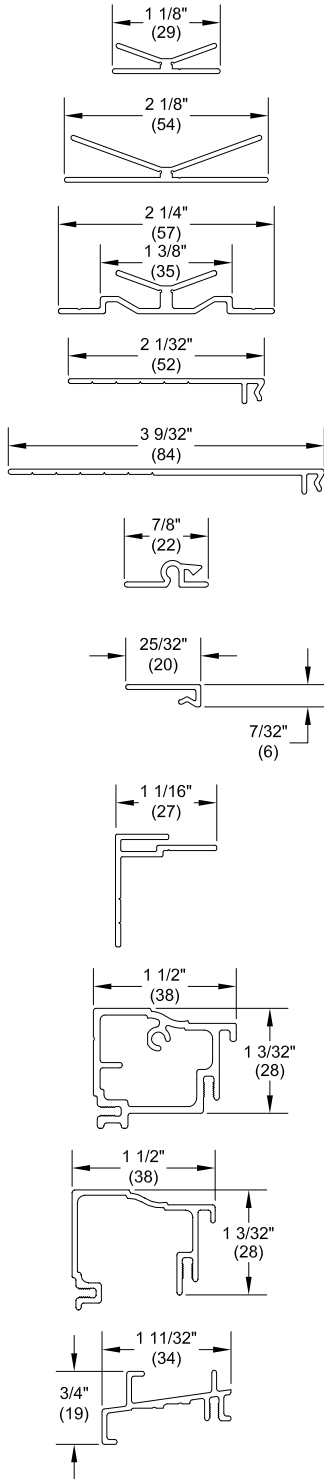


SPC 45
Lineal Only

NOTE: Please contact your Marvin representative for specific information and requirements of special casing.

Clad Extrusion / Clad Casing

Not to Scale



Mull Expander
A107 - 1" (25)

Mull Expander
A108 - 2" (51)

Mull Expander
A118 - 1" (25)

Frame Expander
A110 - 2" (51)

Frame Expander
A109 - 3" (76)

Extender
Jamb Extension
A126

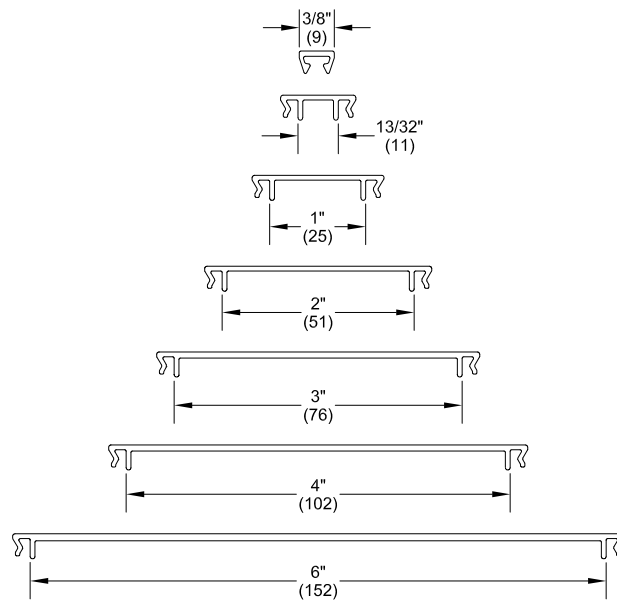
Side Trim
A148-Applied at the
perimeter of the unit
to enclose opening at
the space mullion

Frame Expander
A120-90 Degree

Clad Brick
Mould Casing
A898
Field Applied
Only

Clad Brick
Mould Casing
A797
Factory Applied

Clad Casing
Subsill
A246



Mullion Cap
A104

Mullion Cover
A117 - 13/32" (11)

Mullion Cover
A111 - 1" (25)

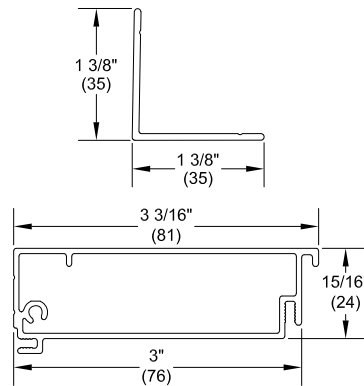
Mullion Cover
A112 - 2" (51)

Mullion Cover
A113 - 3" (76)

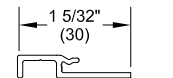
Mullion Cover
A114 - 4" (102)

Mullion Cover
A116 - 6" (152)

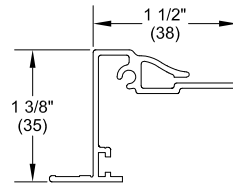
Corner Cover
A119



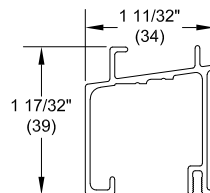
Clad Flat Casing
A2754



Sill Adapter
A129
For use with
A130



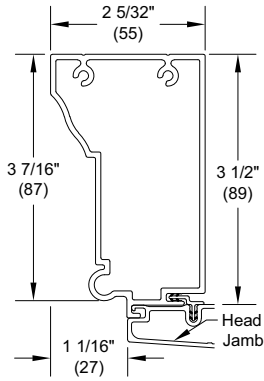
Adjustable Brick Mould
A130



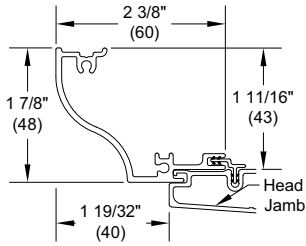
Clad Casing
A217
For use with
clad units

Clad Special Casing Profiles

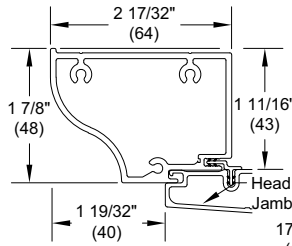
Not to Scale



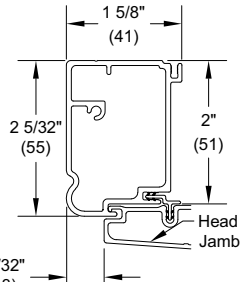
**Columbus
A1440**



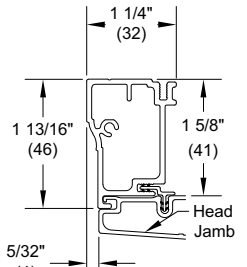
**Thorton
A1443**



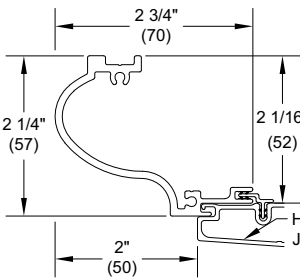
**Thorton Round Top
A1909**



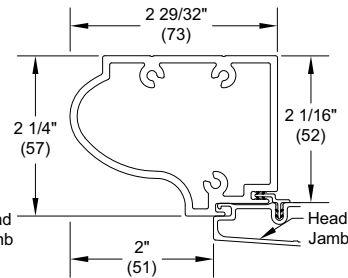
**Grayson
A1442**



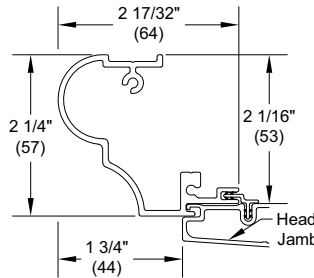
**1 5/8" BMC
A228**



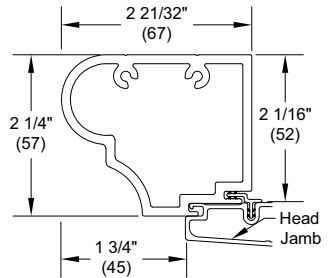
**Ridgeland
A1446**



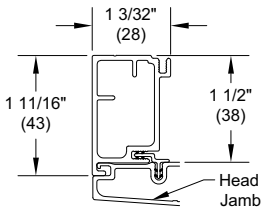
**Ridgeland Round Top
A2881**



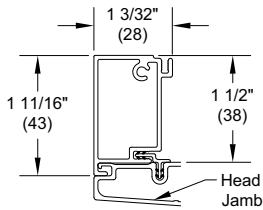
**Stratton
A1449**



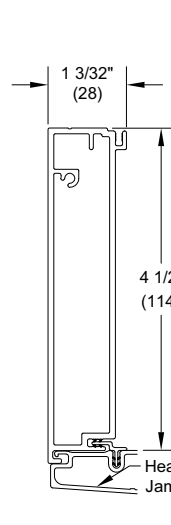
**Stratton Round Top
A2366**



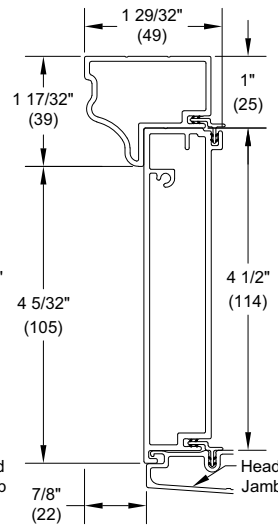
**1 1/2" Flat Casing
A226
Round Top**



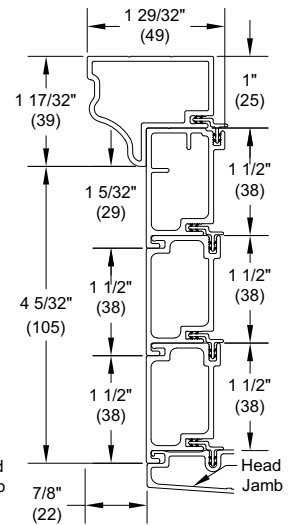
**1 1/2" Flat Casing
A3069**



**4 1/2" Flat Casing
A1444**



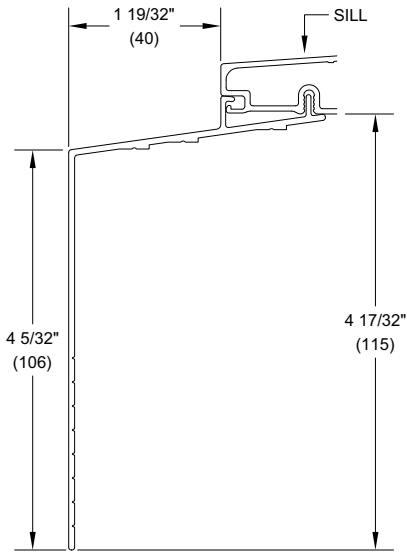
**Potter/4 1/2" FC
A1445/A1444**



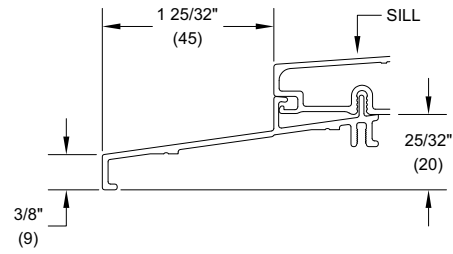
**Potter Round Top
A1445/A226/A225**

Clad Special Subsill Profiles

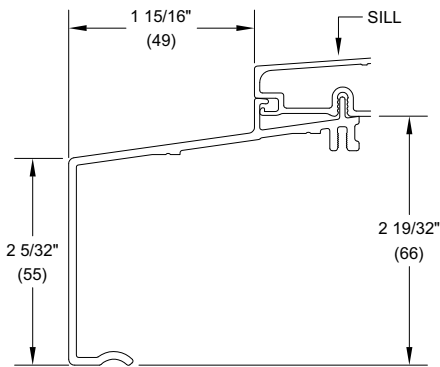
Not to Scale



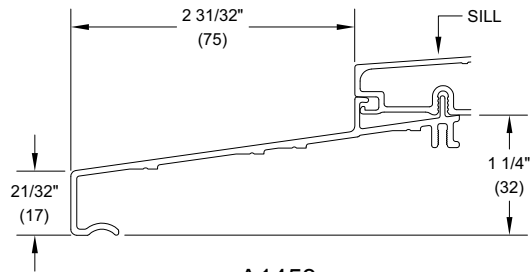
A1451



A1450



A1452



A1453

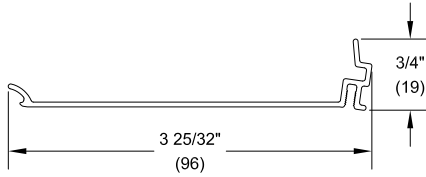
NOTE: Maximum R.O. width of 144 R.O. height 96 not to exceed 80 square feet.

Not all subsills are compatible with all casings. Please refer to detail pages for compatibility.

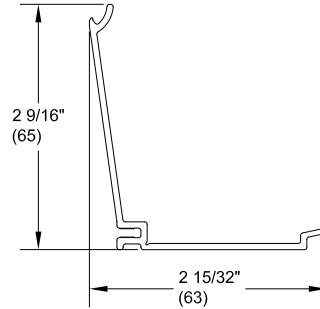
Lineal Subsill Caps / End Caps

Not to Scale

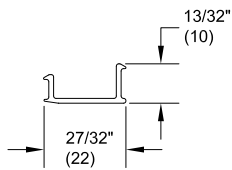
Lineal Subsill Caps



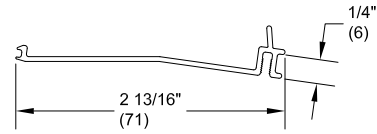
A1458 Subsill Lineal Cap
For A1453



A1460 Subsill Lineal Cap
For A1452

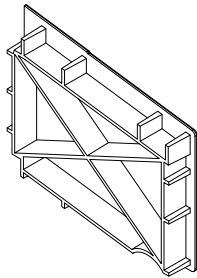


A1462 Subsill Lineal Cap
For A217

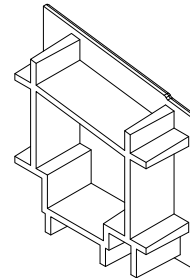


A1463 Subsill Lineal Cap
For A1450

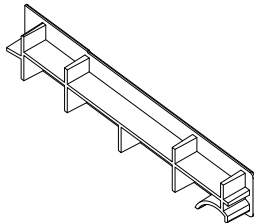
Subsill End Caps



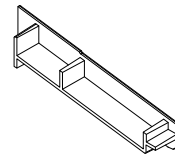
Subsill End Cap for A1452



Subsill End Cap for A217



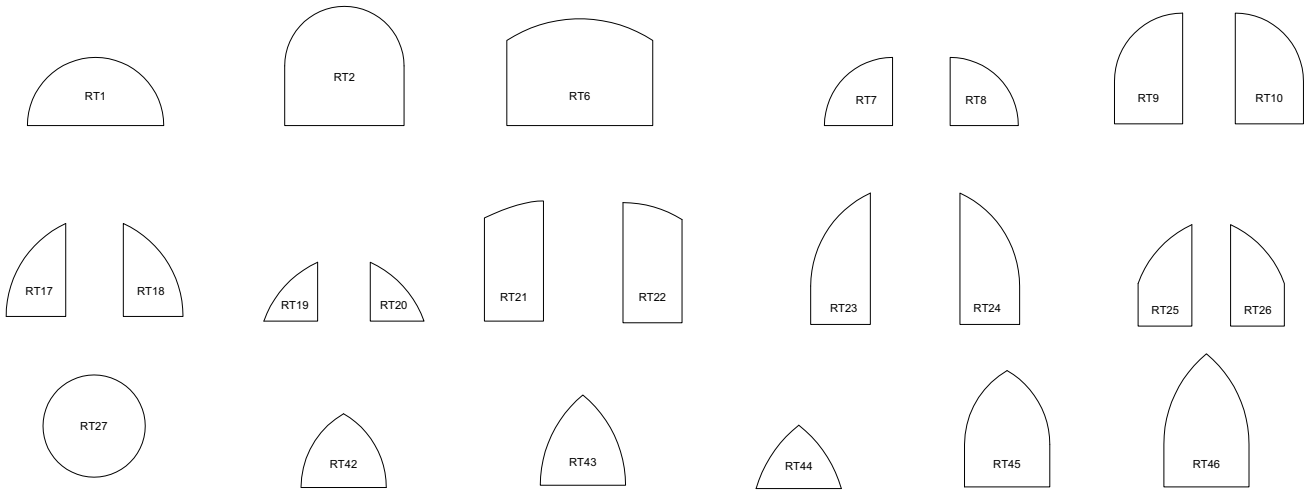
Subsill End Cap for A1453



Subsill End Cap for A1450

Round Top Shapes

Not to Scale



Minimum Frame Radius for Round Tops:

Columbus 24" (610)

Grayson 12" (305)

Potter 4 piece 9" (229) - for RT 6, 21, 22, 25, 26

Stratton, Ridgeland, Thorton 10" (254)

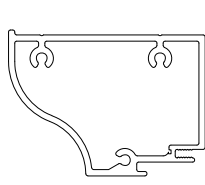
Clad 1 1/2" Flat Casing 9" (229)

A228 Brick Mould 9" (229)

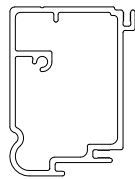
Clad BMC 9" (229)

Clad Flat Casing 9" (229)

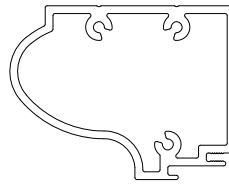
NOTE: The following casings apply to the shapes shown above.



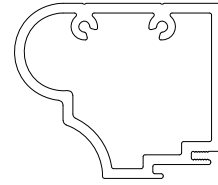
Thorton
A1909



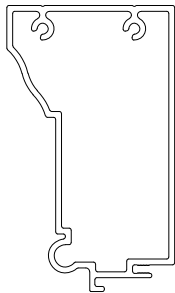
Grayson
A1442



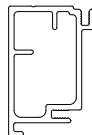
Ridgeland
A2881



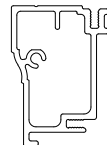
Stratton
A2366



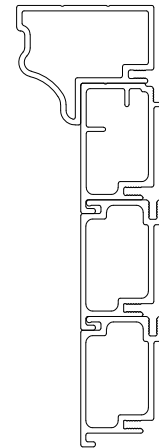
Columbus
A1440



1 1/2" Flat Casing
A226
Round Top



1 5/8" BMC
A228

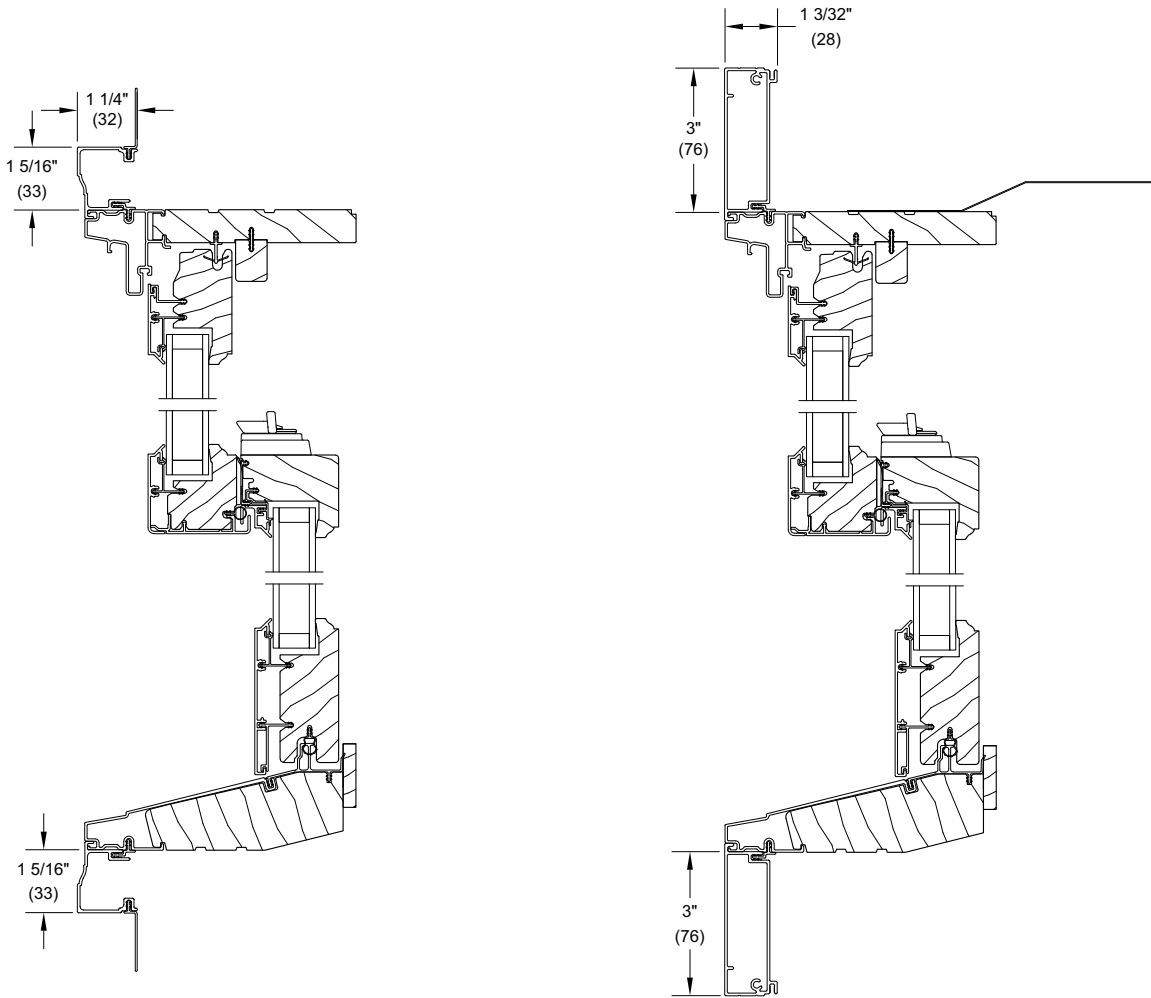


Potter 4 piece
A1445/A226/A225

NOTE: Bows/Bays and Arch Top Doors require Architectural approval. For more information please contact your local Marvin representative

Clad Special Application for Windows - Casing All Sides

Not to Scale



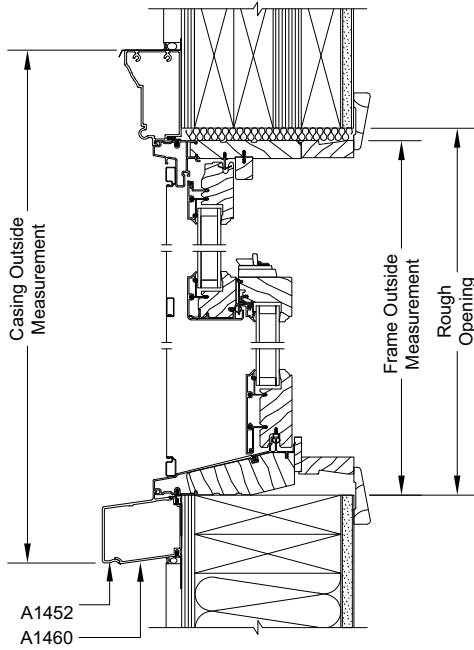
Head Jamb and Sill
with Clad Brick Mould Casing
Four Sides

Head Jamb and Sill
with Clad Flat Casing
Four Sides

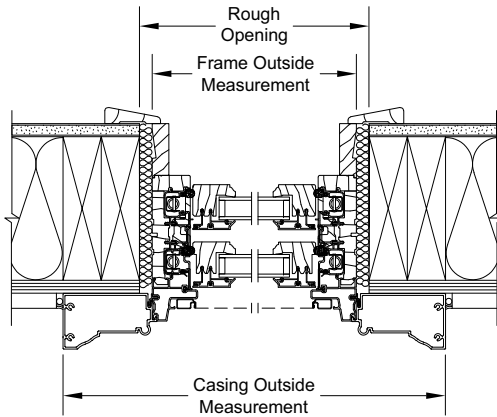
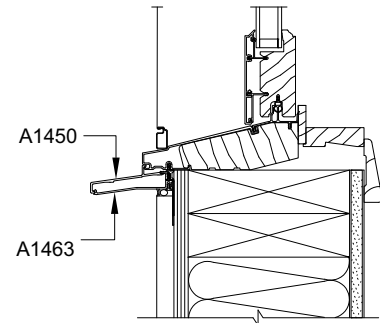
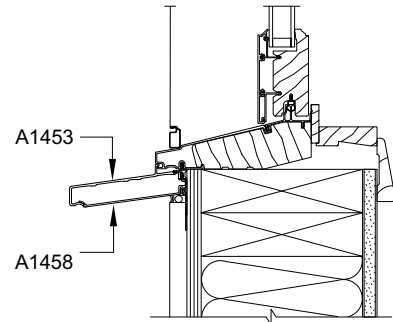
Unit Measurement		Width		Height	
From	To	in	mm	in	mm
Rough Opening					
Masonry Opening w/BMC (all sides)	Rough Opening	-2 1/8	(54)	-1 27/32	(47)
Masonry Opening w/Flat Casing (all sides)	Rough Opening	-5 1/2	(140)	-5 7/32	(133)

Clad Special Application for Windows - Columbus Casing Stick Construction

Not to Scale



Applicable subsills

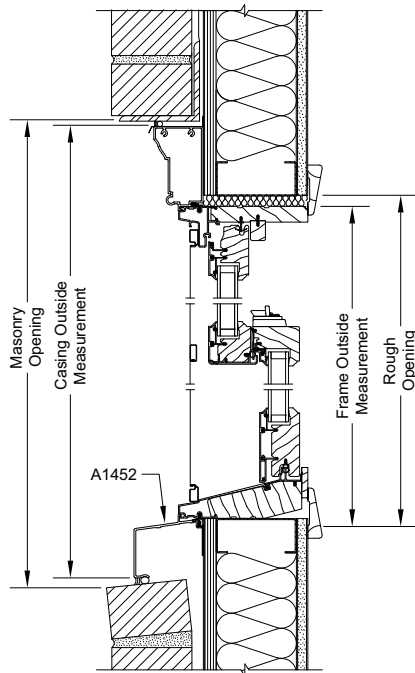


Measurement Conversions for Special Casing Windows				
Casing Type	Subsill Type	RO to FOM	FOM to COM	Masonry Opening
A1440 Columbus	A1450	Width -1.0 Height -1/2	Width +7.0 Height +4 9/32	*Width COM + (Sealant Gap x 2) Height COM + (Sealant Gap x 1)
	A1451	Width -1.0 Height -1/2	Width +7.0 Height +8 1/32	*Width COM + (Sealant Gap x 2) Height COM + (Sealant Gap x 1)
	A1452	Width -1.0 Height -1/2	Width +7.0 Height +6 3/32	*Width COM + (Sealant Gap x 2) Height COM + (Sealant Gap x 1)
	A1453	Width -1.0 Height -1/2	Width +7.0 Height +4 3/4	*Width COM + (Sealant Gap x 2) Height COM + (Sealant Gap x 1)

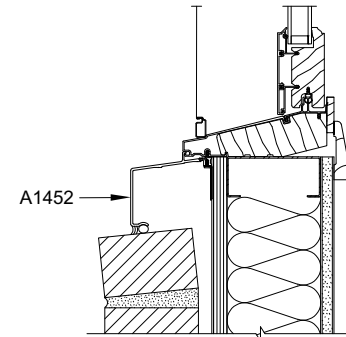
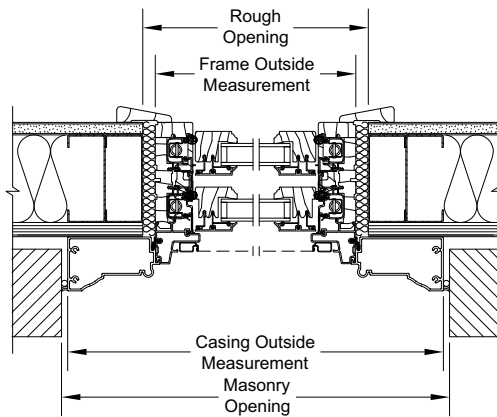
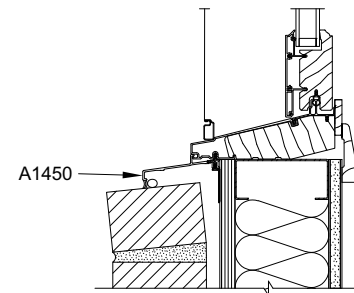
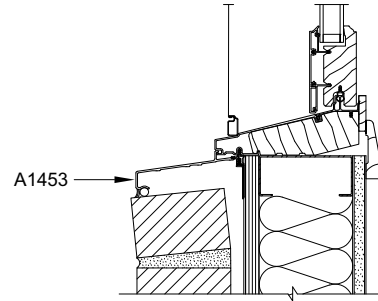
RO: Rough Opening
FOM: Frame Outside Measurement
COM: Casing Outside Measurement

NOTE: Sealant gap to be determined by others. Minimum of 1/4" on all four sides recommended

Clad Special Application for Windows - Columbus Casing Masonry Construction



Applicable subsills

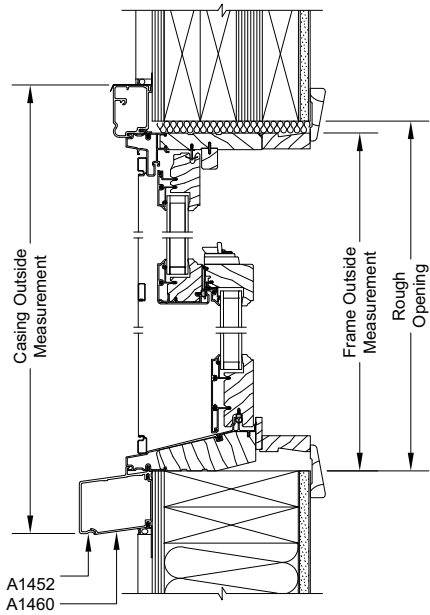


Measurement Conversions for Special Casing Windows				
Casing Type	Subsill Type	RO to FOM	FOM to COM	Masonry Opening
A1440 Columbus	A1450	Width -1.0 Height -1/2	Width +7.0 Height +4 9/32	*Width COM + (Sealant Gap x 2) Height COM + (Sealant Gap x 1)
	A1451	Width -1.0 Height -1/2	Width +7.0 Height +8 1/32	*Width COM + (Sealant Gap x 2) Height COM + (Sealant Gap x 1)
	A1452	Width -1.0 Height -1/2	Width +7.0 Height +6 3/32	*Width COM + (Sealant Gap x 2) Height COM + (Sealant Gap x 1)
	A1453	Width -1.0 Height -1/2	Width +7.0 Height +4 3/4	*Width COM + (Sealant Gap x 2) Height COM + (Sealant Gap x 1)

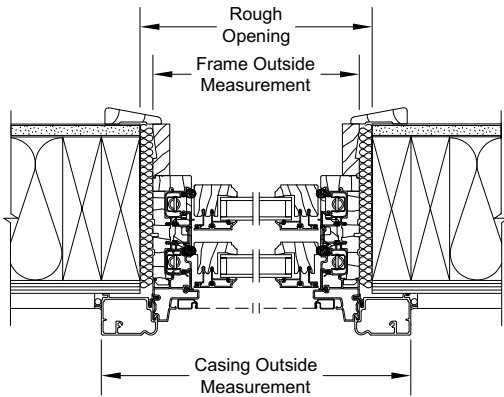
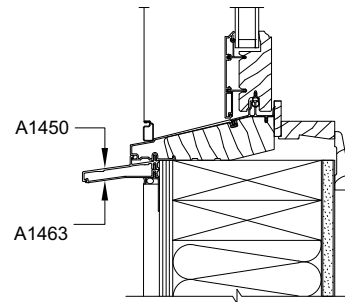
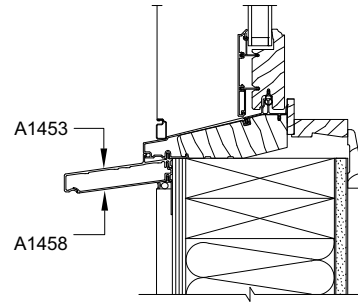
RO: Rough Opening
FOM: Frame Outside Measurement
COM: Casing Outside Measurement

NOTE: Sealant gap to be determined by others. Minimum of 1/4" on all four sides recommended

Clad Special Casing for Windows - Grayson Casing Stick Construction



Applicable subsills



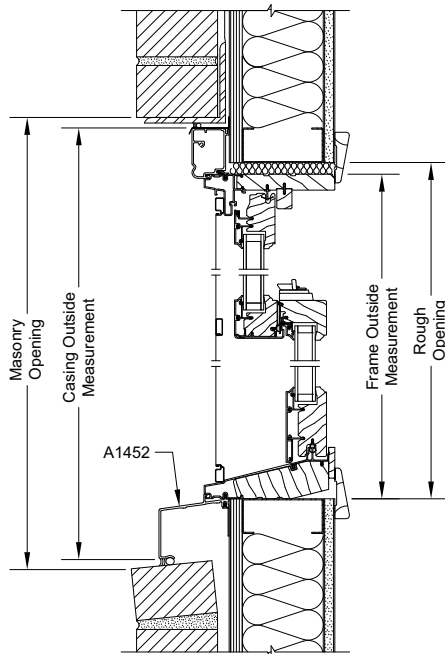
Measurement Conversions for Special Casing Windows				
Casing Type	Subsill Type	RO to FOM	FOM to COM	Masonry Opening
A1442 Grayson	A1450	Width -1.0 Height -1/2	Width +4.0 Height +2 25/32	*Width COM + (Sealant Gap x 2) Height COM + (Sealant Gap x 1)
	A1451	Width -1.0 Height -1/2	Width +4.0 Height +6 17/32	*Width COM + (Sealant Gap x 2) Height COM + (Sealant Gap x 1)
	A1452	Width -1.0 Height -1/2	Width +4.0 Height +4 19/32	*Width COM + (Sealant Gap x 2) Height COM + (Sealant Gap x 1)
	A1453	Width -1.0 Height -1/2	Width +4.0 Height +3 1/4	*Width COM + (Sealant Gap x 2) Height COM + (Sealant Gap x 1)

RO: Rough Opening
FOM: Frame Outside Measurement
COM: Casing Outside Measurement

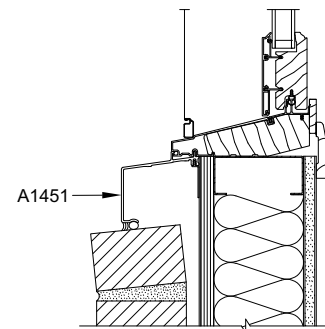
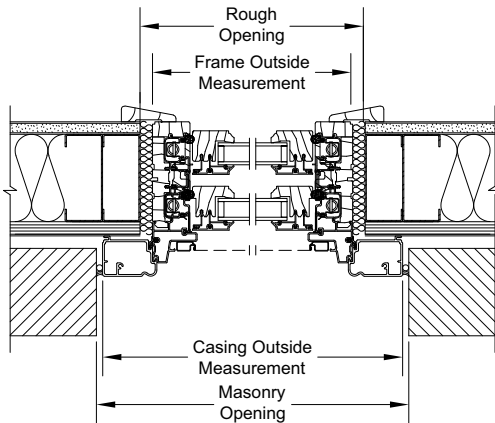
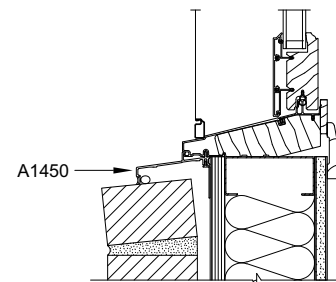
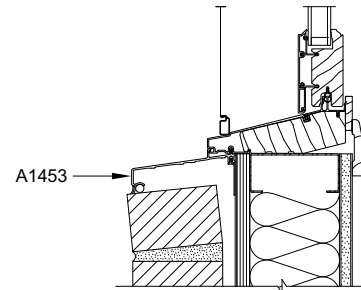
NOTE: Sealant gap to be determined by others. Minimum of 1/4" on all four sides recommended

Clad Special Casing for Windows - Grayson Casing Masonry Construction

Not to Scale



Applicable subills

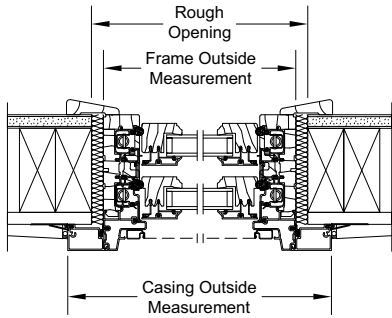
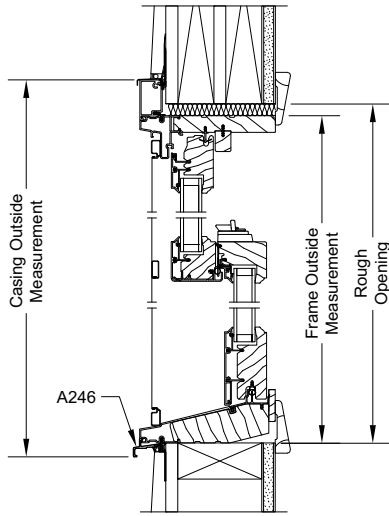


Measurement Conversions for Special Casing Windows				
Casing Type	Subsill Type	RO to FOM	FOM to COM	Masonry Opening
A1442 Grayson	A1450	Width -1.0 Height -1/2	Width +4.0 Height +2 25/32	*Width COM + (Sealant Gap x 2) Height COM + (Sealant Gap x 1)
	A1451	Width -1.0 Height -1/2	Width +4.0 Height +6 17/32	*Width COM + (Sealant Gap x 2) Height COM + (Sealant Gap x 1)
	A1452	Width -1.0 Height -1/2	Width +4.0 Height +4 19/32	*Width COM + (Sealant Gap x 2) Height COM + (Sealant Gap x 1)
	A1453	Width -1.0 Height -1/2	Width +4.0 Height +3 1/4	*Width COM + (Sealant Gap x 2) Height COM + (Sealant Gap x 1)

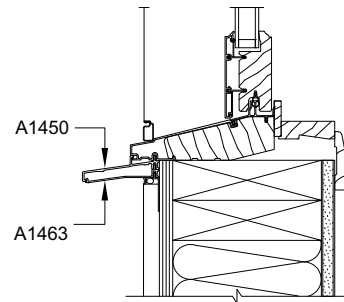
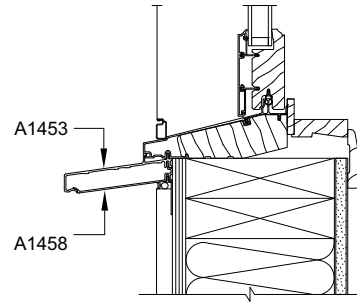
RO: Rough Opening
FOM: Frame Outside Measurement
COM: Casing Outside Measurement

NOTE: Sealant gap to be determined by others. Minimum of 1/4" on all four sides recommended

Clad Special Casing for Windows - 1 1/2" Clad Flat Casing Stick Construction



Applicable subsills



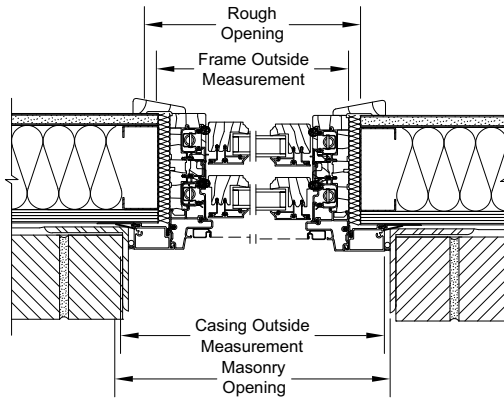
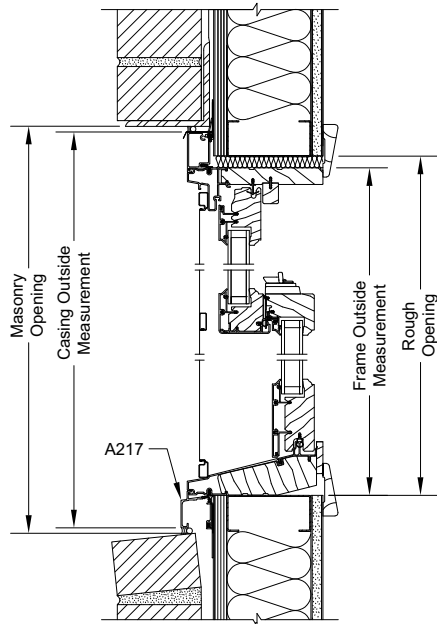
Measurement Conversions for 1 1/2" Clad Flat Casing				
Casing	Subsill	RO to FOM	FOM to COM	Masonry Opening
1 1/2" Clad Flat Casing	A246	Width -1"	Width +3"	Width COM + (sealant gap* x 2)
		Height -1/2"	Height + 2 1/16"	Height COM + (sealant gap* x 1)
	A217	Width -1"	Width +3"	Width COM + (sealant gap* x 2)
		Height -1/2"	Height + 2 27/32"	Height COM + (sealant gap* x 2)
	A1450	Width -1"	Width +3"	Width COM + (sealant gap* x 2)
		Height -1/2"	Height +2 9/32"	Height COM + (sealant gap* x 1)
A1451	Width -1"	Width +3"	Width COM + (sealant gap* x 2)	
	Height -1/2"	Height +6 1 3/2"	Height COM + (sealant gap* x 1)	
A1452	Width -1"	Width +3"	Width COM + (sealant gap* x 2)	
	Height -1/2"	Height +4 3/32"	Height COM + (sealant gap* x 2)	
A1453	Width -1"	Width +3"	Width COM + (sealant gap* x 2)	
	Height -1/2"	Height +2 3/4"	Height COM + (sealant gap* x 2)	

RO: Rough Opening
 FOM: Frame Outside Measurement
 COM: Casing Outside Measurement

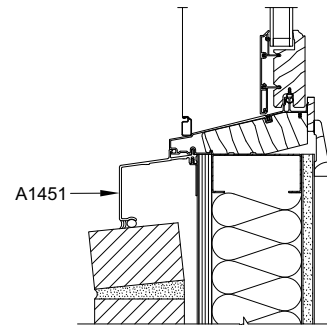
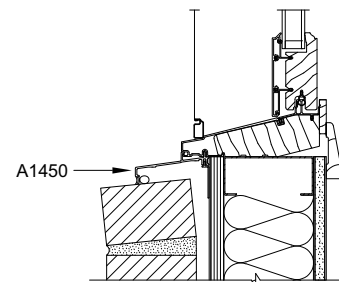
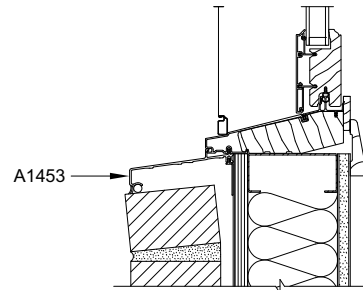
Sealant gap to be determined by others. Minimum of 1/4" on all four sides recommended

Clad Special Casing for Windows - 1 1/2" Clad Flat Casing Masonry Construction

Not to Scale



Applicable subsills



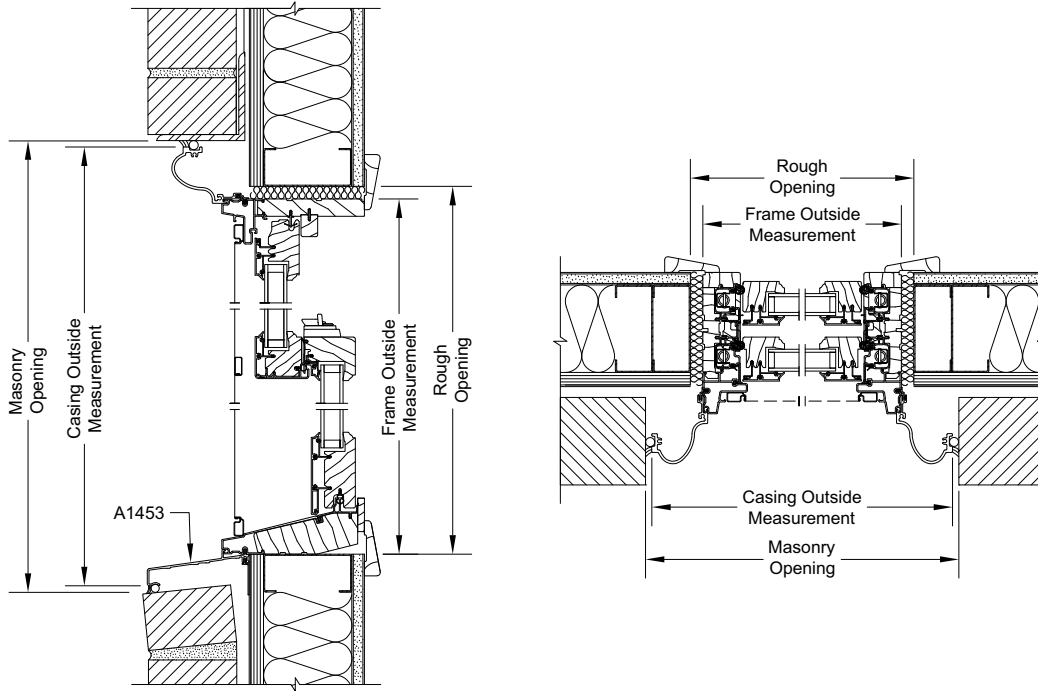
Measurement Conversions for 1 1/2" Clad Flat Casing				
Casing	Subsill	RO to FOM	FOM to COM	Masonry Opening
1 1/2" Clad Flat Casing	A246	Width -1"	Width +3"	Width COM + (sealant gap* x 2)
		Height -1/2"	Height + 2 1/16"	Height COM + (sealant gap* x 1)
	A217	Width -1"	Width +3"	Width COM + (sealant gap* x 2)
		Height -1/2"	Height + 2 27/32"	Height COM + (sealant gap* x 2)
	A1450	Width -1"	Width +3"	Width COM + (sealant gap* x 2)
		Height -1/2"	Height +2 9/32"	Height COM + (sealant gap* x 1)
A1451	Width -1"	Width +3"	Width COM + (sealant gap* x 2)	
	Height -1/2"	Height +6 1 32"	Height COM + (sealant gap* x 1)	
A1452	Width -1"	Width +3"	Width COM + (sealant gap* x 2)	
	Height -1/2"	Height +4 3/32"	Height COM + (sealant gap* x 2)	
A1453	Width -1"	Width +3"	Width COM + (sealant gap* x 2)	
	Height -1/2"	Height +2 3/4"	Height COM + (sealant gap* x 2)	

RO: Rough Opening
 FOM: Frame Outside Measurement
 COM: Casing Outside Measurement

Sealant gap to be determined by others. Minimum of 1/4" on all four sides recommended

Clad Special Casing for Windows - Ridgeland Casing Masonry Construction

Not to Scale



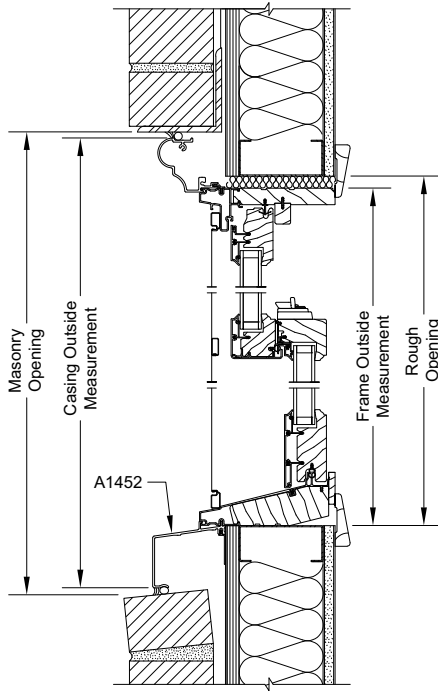
Measurement Conversions for Special Casing Windows				
Casing Type	Subsill Type	RO to FOM	FOM to COM	Masonry Opening
A1446	A1453	Width -1.0	Width +4 1/8	*Width COM + (Sealant Gap x 2)
Ridgeland		Height -1/2	Height +3 5/16	Height COM + (Sealant Gap x 1)

RO: Rough Opening
 FOM: Frame Outside Measurement
 COM: Casing Outside Measurement

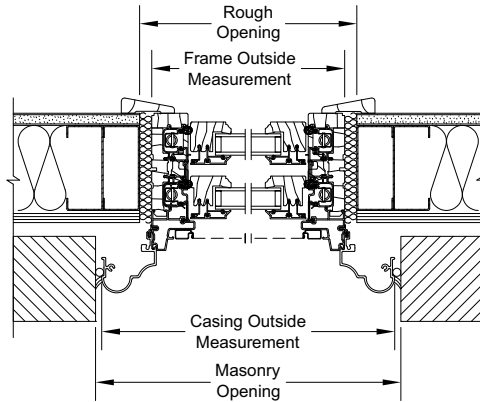
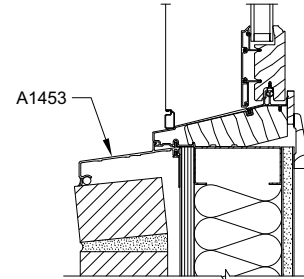
NOTE: Sealant gap to be determined by others. Minimum of 1/4" on all four sides recommended

Clad Special Casing for Windows - Stratton Casing Masonry

Not to Scale



Applicable subsills



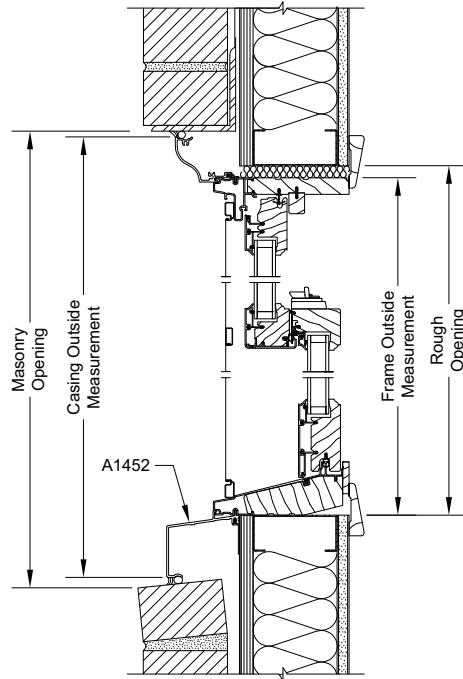
Measurement Conversions for Special Casing Windows				
Casing Type	Subsill Type	RO to FOM	FOM to COM	Masonry Opening
A1449 Stratton	A1452	Width -1.0	Width +4 5/32	*Width COM + (Sealant Gap x 2)
		Height -1/2	Height +4 21/32	Height COM + (Sealant Gap x 1)
	A1453	Width -1.0	Width +4 5/32	*Width COM + (Sealant Gap x 2)
		Height -1/2	Height +3 5/16	Height COM + (Sealant Gap x 1)

RO: Rough Opening
 FOM: Frame Outside Measurement
 COM: Casing Outside Measurement

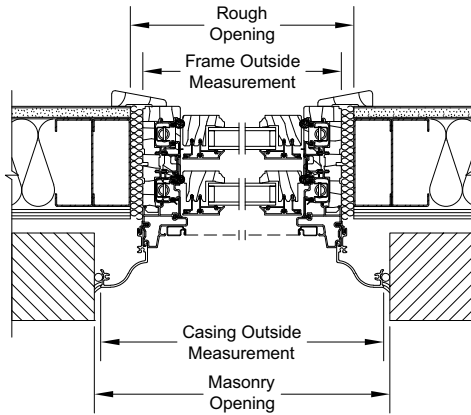
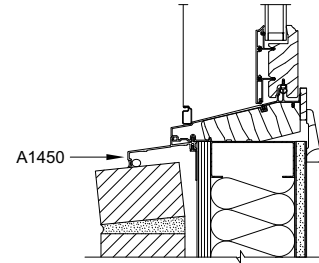
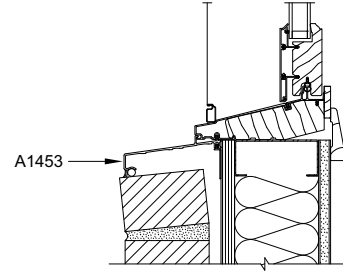
NOTE: Sealant gap to be determined by others. Minimum of 1/4" on all four sides recommended

Clad Special Casing for Windows - Thorton Casing Masonry Construction

Not to Scale



Applicable subsills



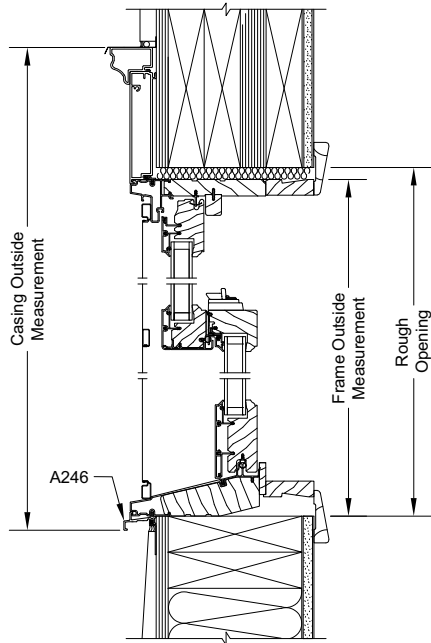
Measurement Conversions for Special Casing Windows				
Casing Type	Subsill Type	RO to FOM	FOM to COM	Masonry Opening
A1443 Thorton	A1450	Width -1.0 Height -1/2	Width +3 13/32 Height +2 15/32	*Width COM + (Sealant Gap x 2) Height COM + (Sealant Gap x 1)
	A1452	Width -1.0 Height -1/2	Width +3 13/32 Height +4 9/32	*Width COM + (Sealant Gap x 2) Height COM + (Sealant Gap x 1)
	A1453	Width -1.0 Height -1/2	Width +3 13/32 Height +2 15/16	*Width COM + (Sealant Gap x 2) Height COM + (Sealant Gap x 1)

RO: Rough Opening
FOM: Frame Outside Measurement
COM: Casing Outside Measurement

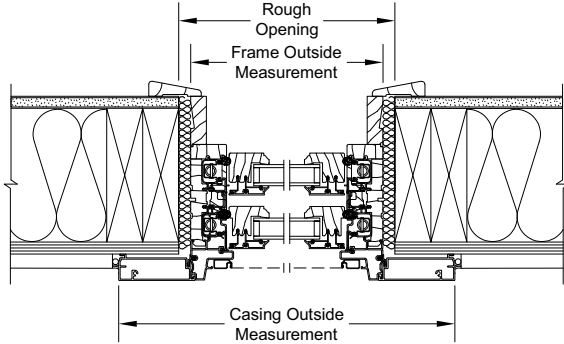
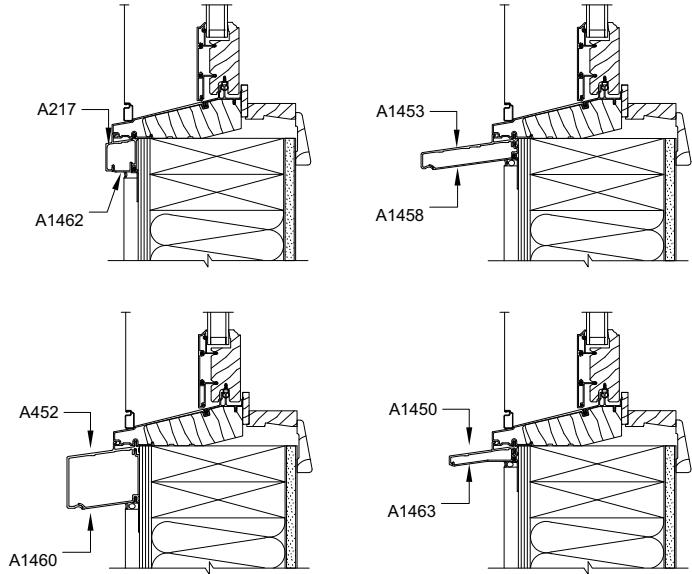
NOTE: Sealant gap to be determined by others. Minimum of 1/4" on all four sides recommended

Clad Special Casing for Windows - Potter Casing Wood Frame Construction

Not to Scale



Applicable Subsills



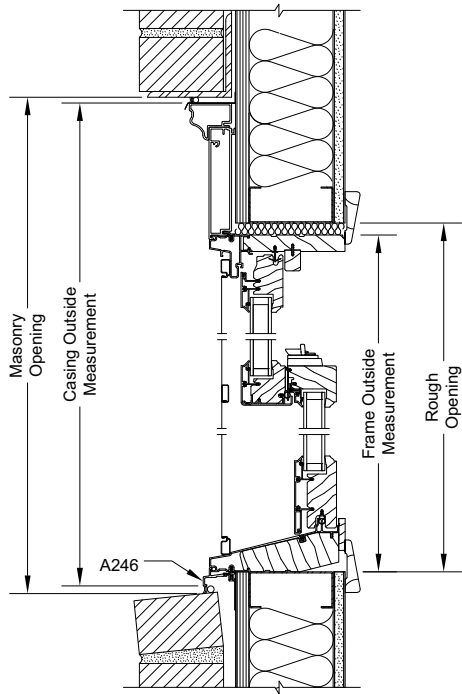
Measurement Conversions for Special Casing Windows				
Casing Type	Subsill Type	RO to FOM	FOM to COM	Masonry Opening
A1444/A1445 Potter	A1450	Width -1.0 Height -1/2	Width +6.0 Height +6 9/32	*Width COM + (Sealant Gap x 2) Height COM + (Sealant Gap x 1)
	A1451	Width -1.0 Height -1/2	Width +6.0 Height +10 1/32	*Width COM + (Sealant Gap x 2) Height COM + (Sealant Gap x 1)
	A1452	Width -1.0 Height -1/2	Width +6.0 Height +8 3/32	*Width COM + (Sealant Gap x 2) Height COM + (Sealant Gap x 1)
	A1453	Width -1.0 Height -1/2	Width +6.0 Height +6 3/4	*Width COM + (Sealant Gap x 2) Height COM + (Sealant Gap x 1)

RO: Rough Opening
FOM: Frame Outside Measurement
COM: Casing Outside Measurement

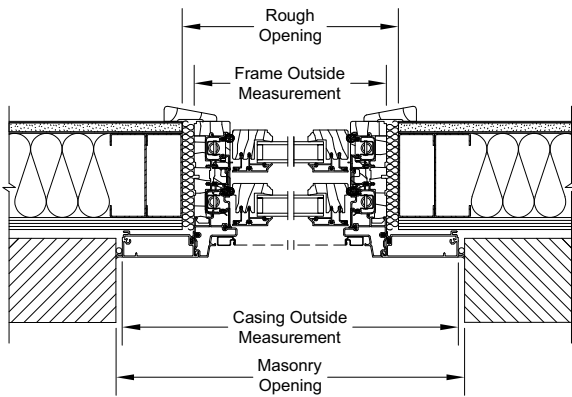
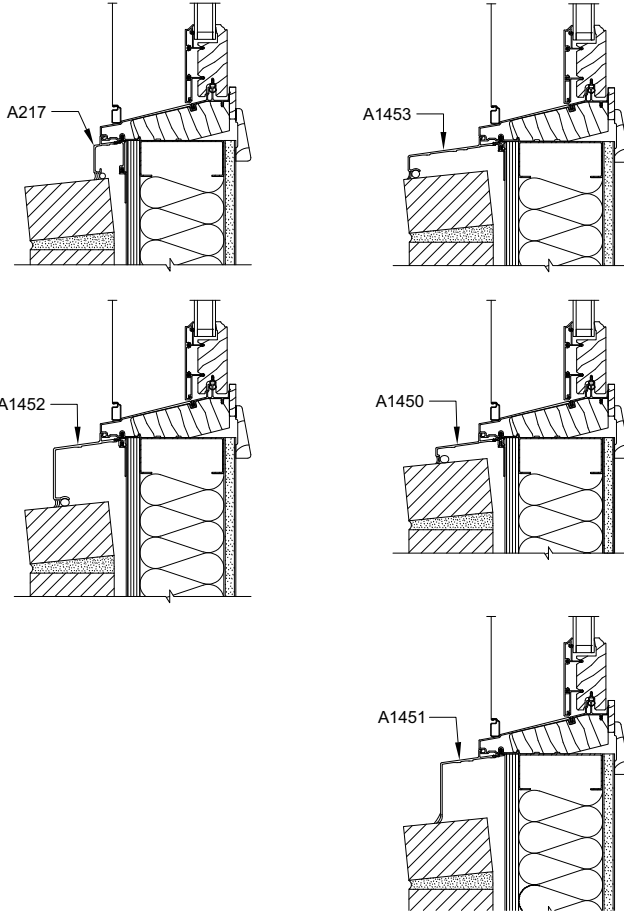
NOTE: Sealant gap to be determined by others. Minimum of 1/4" on all four sides recommended

Clad Special Casing for Windows - Potter with Trim Casing Masonry Construction

Not to Scale



Applicable subsills



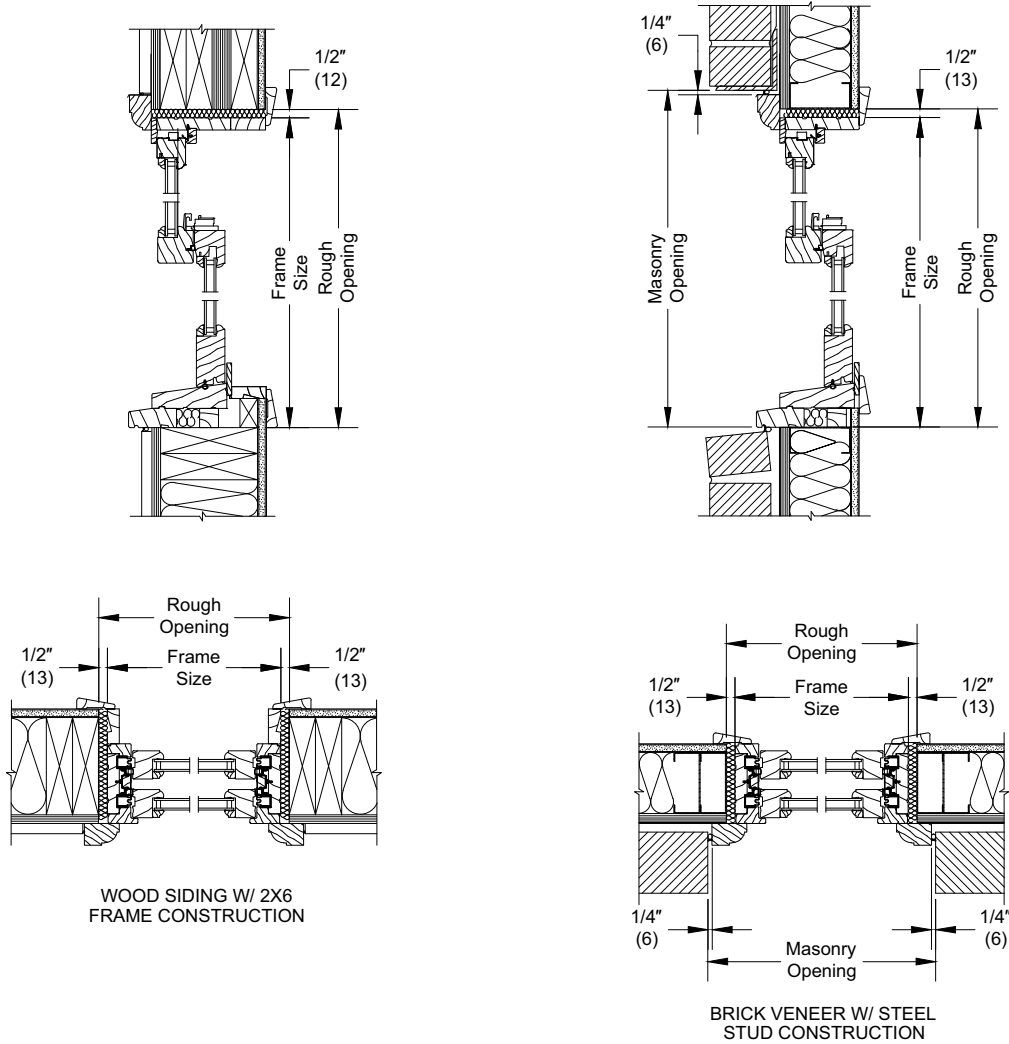
Measurement Conversions for Special Casing Windows				
Casing Type	Subsill Type	RO to FOM	FOM to COM	Masonry Opening
A1444/A1445 Potter w/Trim	A1450	Width -1.0 Height -1/2	Width +6.0 Height +6 9/32	*Width COM + (Sealant Gap x 2) Height COM + (Sealant Gap x 1)
	A1451	Width -1.0 Height -1/2	Width +6.0 Height +10 1/32	*Width COM + (Sealant Gap x 2) Height COM + (Sealant Gap x 1)
	A1452	Width -1.0 Height -1/2	Width +6.0 Height +8 3/32	*Width COM + (Sealant Gap x 2) Height COM + (Sealant Gap x 1)
	A1453	Width -1.0 Height -1/2	Width +6.0 Height +6 3/4	*Width COM + (Sealant Gap x 2) Height COM + (Sealant Gap x 1)

RO: Rough Opening
FOM: Frame Outside Measurement
COM: Casing Outside Measurement

NOTE: Sealant gap to be determined by others. Minimum of 1/4" on all four sides recommended

Wood Special Casing for Windows - Special Casing 3 (SPC3)

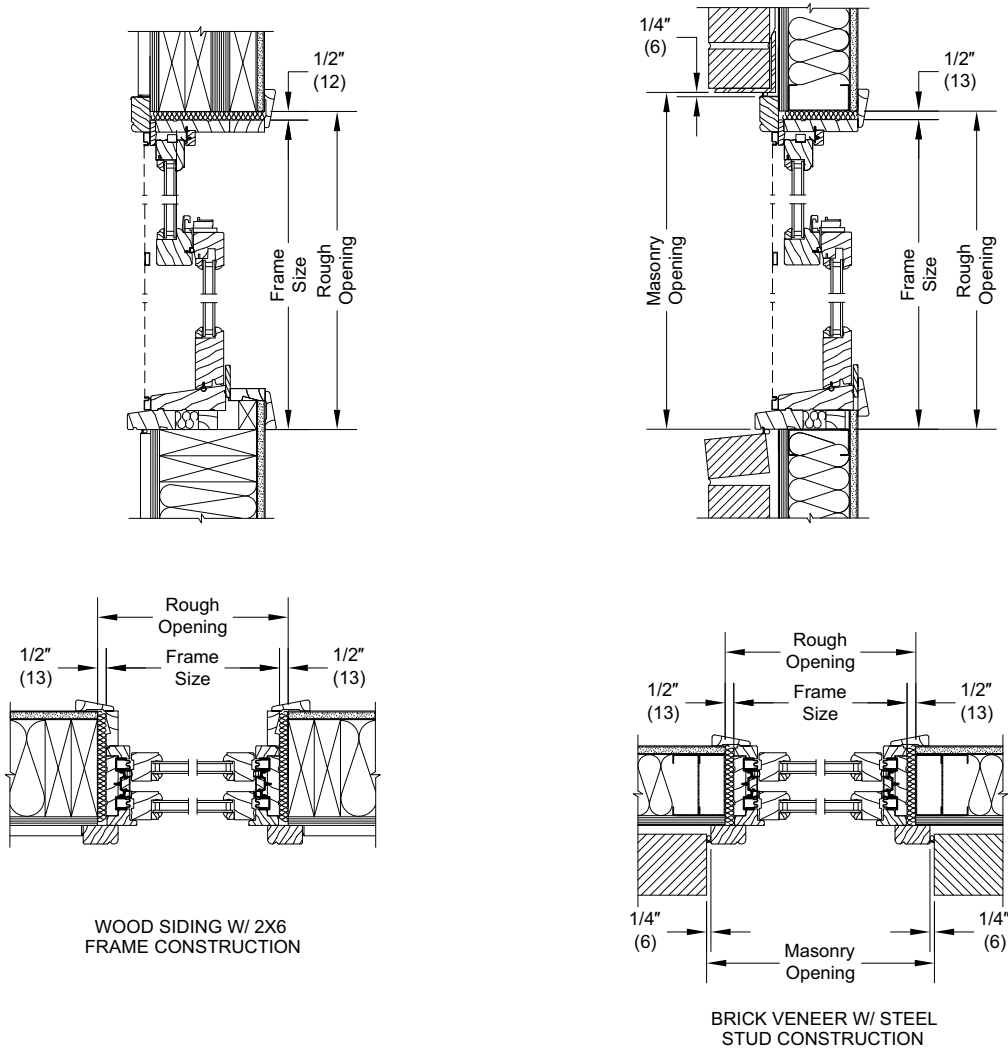
Not to Scale



Unit Measurement			Width		Height	
From		To	in	mm	in	mm
UWCA Collection	Masonry Opening w/SPC3	Rough Opening	-2 5/8	(67)	-1 5/16	(33)
UWDH Collection	Masonry Opening w/SPC3	Rough Opening	-2 1/8	(54)	-1 1/16	(27)
Ultimate Wood Direct Glaze	Masonry Opening w/SPC3	Rough Opening	-2 1/2	(64)	-1 1/4	(32)
Ultimate Wood Tilt Turn	Masonry Opening w/SPC3	Rough Opening	-2 1/4	(57)	-1 11/16	(43)
All Doors	Masonry Opening w/SPC3	Rough Opening	-2 1/8	(54)	-1 1/16	(27)

Wood Special Casing for Windows - Special Casing 7 (SPC7)

Not to Scale



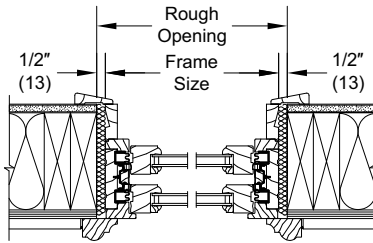
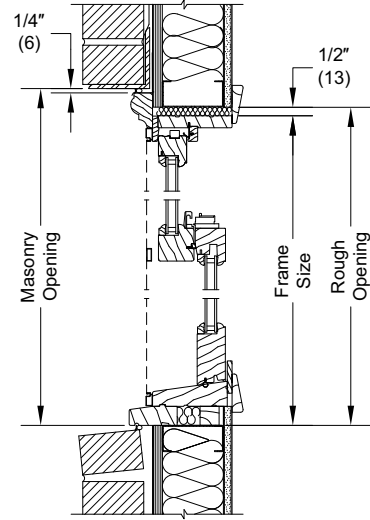
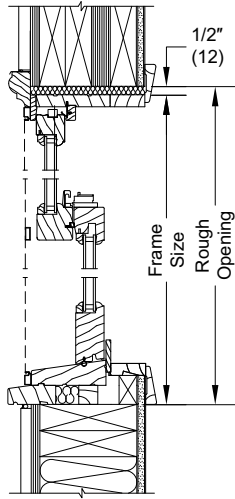
WOOD SIDING W/ 2X6
FRAME CONSTRUCTION

BRICK VENEER W/ STEEL
STUD CONSTRUCTION

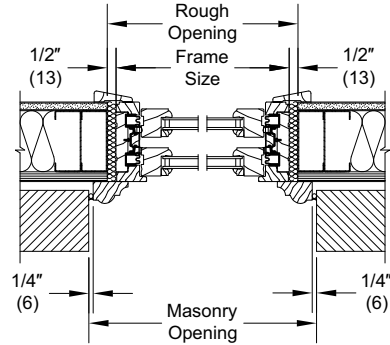
Unit Measurement		Width		Height		
From	To	in	mm	in	mm	
UWCA Collection	Masonry Opening w/SPC7	Rough Opening	-2 5/8	(67)	-1 5/16	(33)
UWDH Collection	Masonry Opening w/SPC7	Rough Opening	-2 1/8	(54)	-1 1/16	(27)
Ultimate Wood Direct Glaze	Masonry Opening w/SPC7	Rough Opening	-2 1/2	(64)	-1 1/4	(32)
Ultimate Wood Tilt Turn	Masonry Opening w/SPC7	Rough Opening	-2 1/4	(57)	-1 11/16	(43)
All Doors	Masonry Opening w/SPC7	Rough Opening	-2 1/8	(54)	-1 1/16	(27)

Wood Special Casing for Windows - Special Casing 21 (SPC21)

Not to Scale



WOOD SIDING W/ 2X6
FRAME CONSTRUCTION

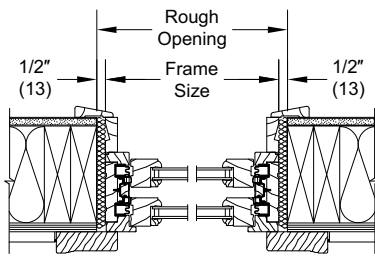
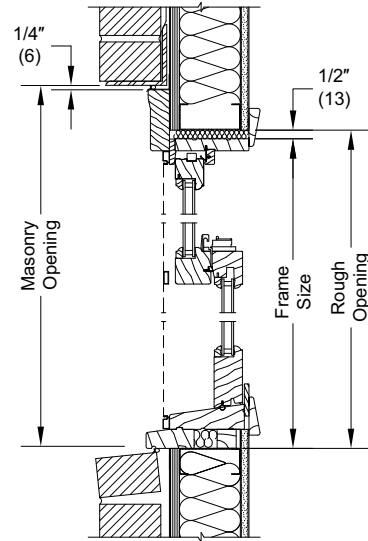
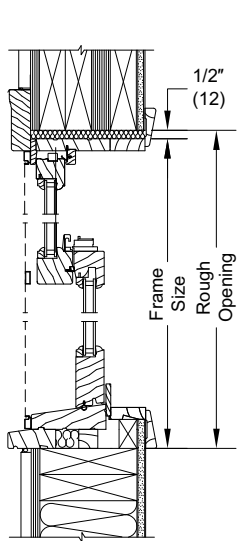


BRICK VENEER W/ STEEL
STUD CONSTRUCTION

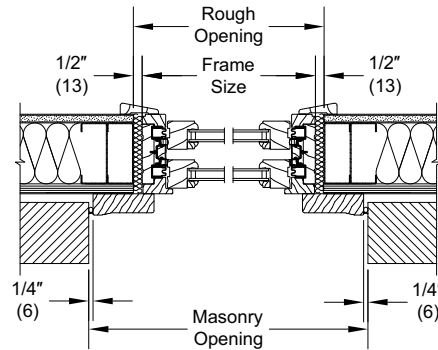
Unit Measurement			Width		Height	
From		To	in	mm	in	mm
UWCA Collection	Masonry Opening w/SPC21	Rough Opening	-2 5/8	(67)	-1 5/16	(33)
UWDH Collection	Masonry Opening w/SPC21	Rough Opening	-2 1/8	(54)	-1 1/16	(27)
Ultimate Wood Direct Glaze	Masonry Opening w/SPC21	Rough Opening	-2 1/2	(64)	-1 1/4	(32)
Ultimate Wood Tilt Turn	Masonry Opening w/SPC21	Rough Opening	-2 1/4	(57)	-1 11/16	(43)
All Doors	Masonry Opening w/SPC21	Rough Opening	-2 1/8	(54)	-1 1/16	(27)

Wood Special Casing for Windows - Special Casing 18 (SPC18)

Not to Scale



WOOD SIDING W/ 2X6
FRAME CONSTRUCTION

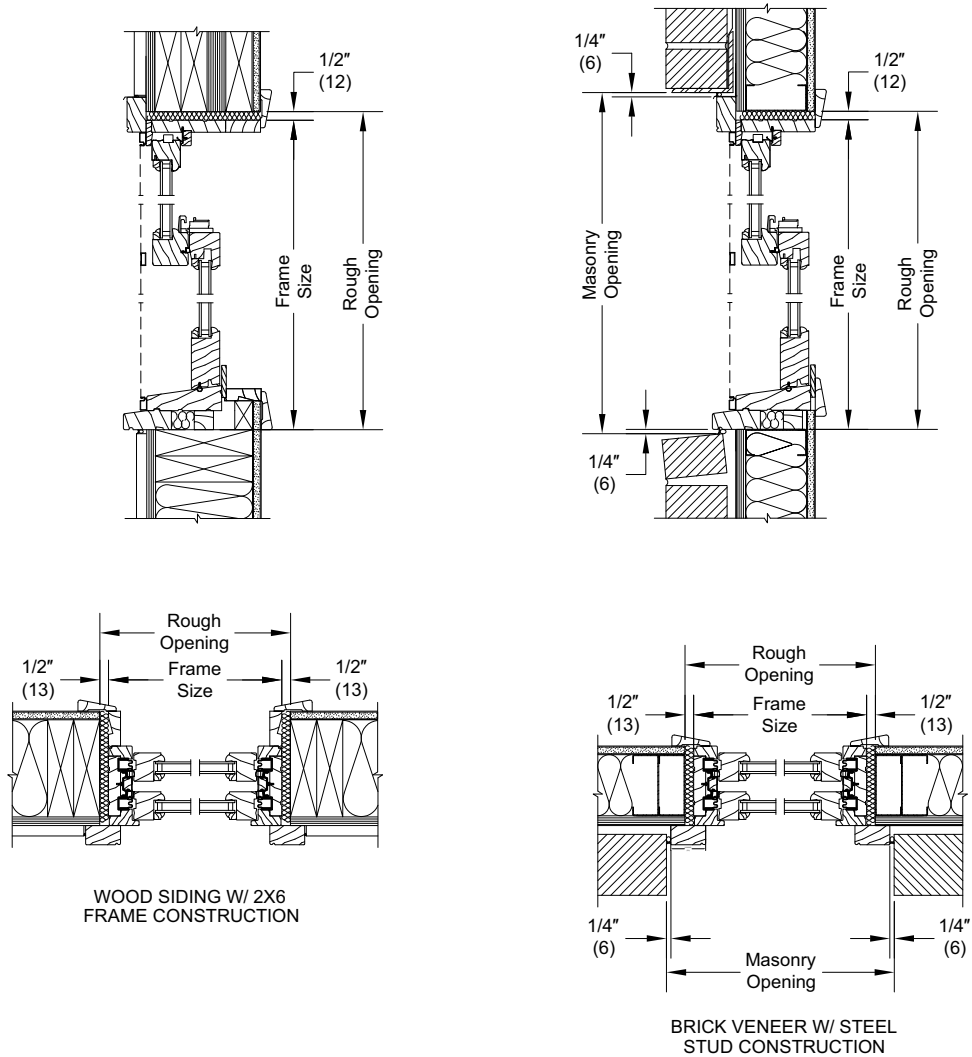


BRICK VENEER W/ STEEL
STUD CONSTRUCTION

Unit Measurement		Width		Height		
From	To	in	mm	in	mm	
UWCA Collection	Masonry Opening w/SPC18	Rough Opening	-5 5/8	(143)	-2 13/16	(71)
UWDH Collection	Masonry Opening w/SPC18	Rough Opening	-5 1/8	(130)	-2 9/16	(65)
Ultimate Wood Direct Glaze	Masonry Opening w/SPC18	Rough Opening	-5 1/2	(140)	-2 3/4	(70)
Ultimate Wood Tilt Turn	Masonry Opening w/SPC18	Rough Opening	-5 1/4	(133)	-3 3/16	(81)
All Doors	Masonry Opening w/SPC18	Rough Opening	-5 1/8	(130)	-2 9/16	(65)

Wood Special Casing for Windows - Special Casing 26 (SPC26)

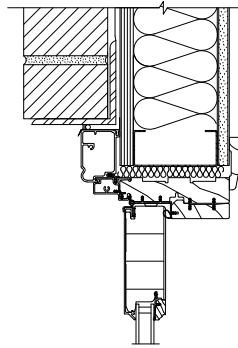
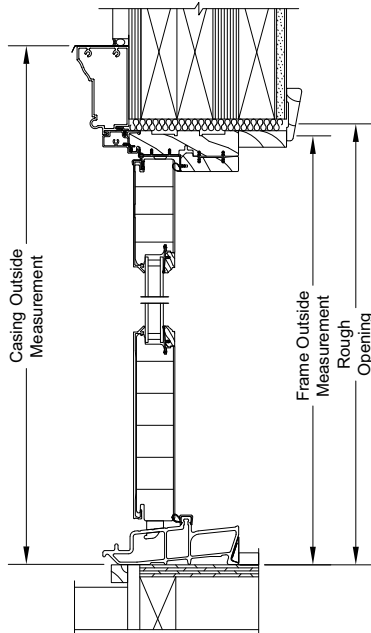
Not to Scale



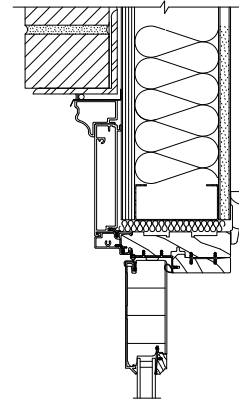
Unit Measurement			Width		Height	
From		To	in	mm	in	mm
UWCA Collection	Masonry Opening w/SPC26	Rough Opening	-2 5/8	(67)	-1 5/16	(33)
UWDH Collection	Masonry Opening w/SPC26	Rough Opening	-2 1/8	(54)	-1 1/16	(27)
Ultimate Wood Direct Glaze	Masonry Opening w/SPC26	Rough Opening	-2 1/2	(64)	-1 1/4	(32)
Ultimate Wood Tilt Turn	Masonry Opening w/SPC26	Rough Opening	-2 1/4	(57)	-1 11/16	(43)
All Doors	Masonry Opening w/SPC26	Rough Opening	-2 1/8	(54)	-1 1/16	(27)

Clad Special Casing for Doors - Wood Frame Construction - All Casings Options

Not to Scale



A1442 Grayson Casing



A14424/1445 2 Pc. Potter Casing

A1440 Columbus Casing Stick Construction

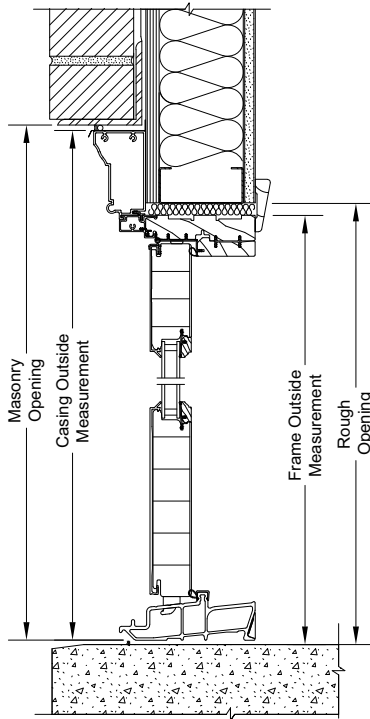
Measurement Conversions for Special Casing Doors			
Casing Type	RO to FOM	FOM to COM	Masonry Opening
A1440	Width -1.0	Width +7.0	*Width COM + (Sealant Gap x 2)
Columbus	Height -1/2	Height +3 1/2	Height COM + (Sealant Gap x 1)
A1442	Width -1.0	Width +4.0	*Width COM + (Sealant Gap x 2)
Grayson	Height -1/2	Height +2.0	Height COM + (Sealant Gap x 1)
A1446	Width -1.0	Width +4 1/8	*Width COM + (Sealant Gap x 2)
Ridgeland	Height -1/2	Height +2 1/16	Height COM + (Sealant Gap x 1)
A1449	Width -1.0	Width +4 5/32	*Width COM + (Sealant Gap x 2)
Stratton	Height -1/2	Height +2 1/16	Height COM + (Sealant Gap x 1)
A1443	Width -1.0	Width +3 13/32	*Width COM + (Sealant Gap x 2)
Thorton	Height -1/2	Height +1 11/16	Height COM + (Sealant Gap x 1)
A1444/A1445	Width -1.0	Width +6.0	*Width COM + (Sealant Gap x 2)
Potter	Height -1/2	Height +5 1/2	Height COM + (Sealant Gap x 1)

RO: Rough Opening
 FOM: Frame Outside Measurement
 COM: Casing Outside Measurement

NOTE: Sealant gap to be determined by others. Minimum of 1/4" on all four sides recommended

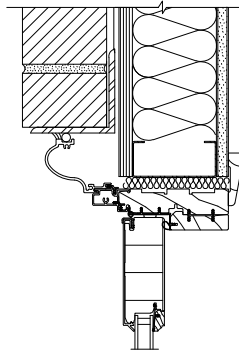
Clad Special Casing for Doors - Masonry Construction - All Casing Options

Not to Scale

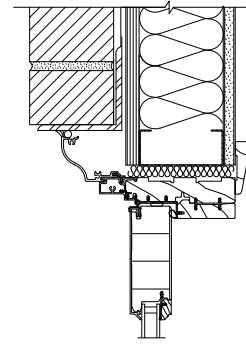


**A1442 Grayson Casing
Masonry Construction**

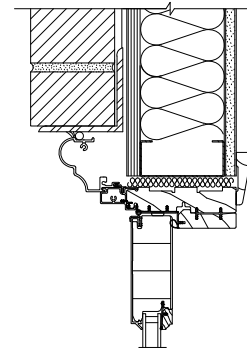
Sealant gap to be determined by others. Minimum of 1/4" on all four sides recommended



A1446 Ridgeland casing



A1443 Thornton casing



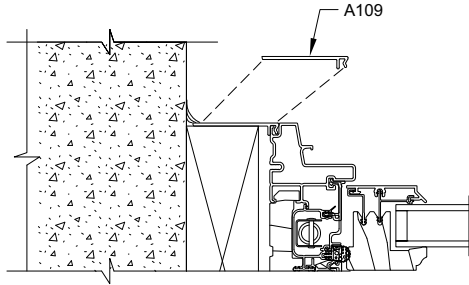
A1449 Stratton casing

Measurement Conversions for Special Casing Doors

Casing Type	RO to FOM	FOM to COM	Masonry Opening
A1440 Columbus	Width -1.0 Height -1/2	Width +7.0 Height +3 1/2	*Width COM + (Sealant Gap x 2) Height COM + (Sealant Gap x 1)
A1442 Grayson	Width -1.0 Height -1/2	Width +4.0 Height +2.0	*Width COM + (Sealant Gap x 2) Height COM + (Sealant Gap x 1)
A1446 Ridgeland	Width -1.0 Height -1/2	Width +4 1/8 Height +2 1/16	*Width COM + (Sealant Gap x 2) Height COM + (Sealant Gap x 1)
A1449 Stratton	Width -1.0 Height -1/2	Width +4 5/32 Height +2 1/16	*Width COM + (Sealant Gap x 2) Height COM + (Sealant Gap x 1)
A1443 Thornton	Width -1.0 Height -1/2	Width +3 13/32 Height +1 11/16	*Width COM + (Sealant Gap x 2) Height COM + (Sealant Gap x 1)
A1444/A1445 Potter	Width -1.0 Height -1/2	Width +6.0 Height +5 1/2	*Width COM + (Sealant Gap x 2) Height COM + (Sealant Gap x 1)

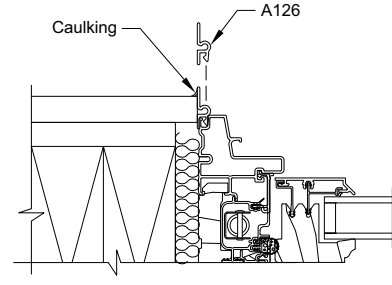
RO: Rough Opening
FOM: Frame Outside Measurement
COM: Casing Outside Measurement

Clad Applications



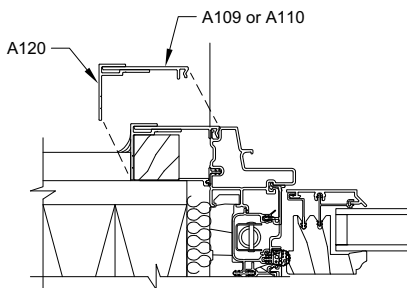
Frame Expander

A109 or A110. Used to seal the outer edge by caulking in between the expander and the wall. Frame expander includes intermediate break points to achieve additional widths.



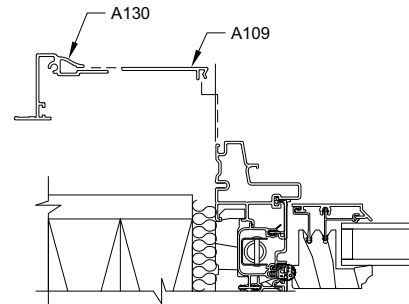
Exterior Frame Extender

Used to extend the clad frame past the building siding. Important: Caulking is required to seal between the frame extender and the building exterior.



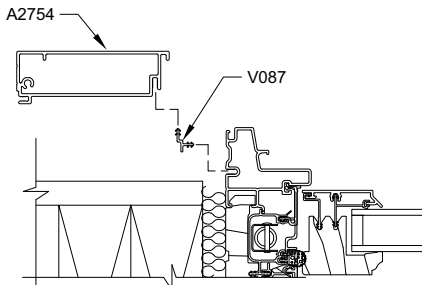
Frame Expander and 90 Degree Frame Expander

A109 or A110 with A120. Used to simulate clad flat casing in various widths.



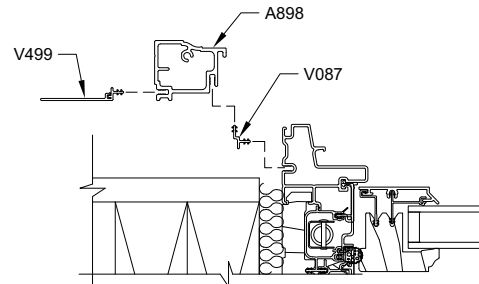
Clad Adjustable Brick Mould Casing

Used with A109 or A110 to create an adjustable width Brick Mould Casing for Clad units.



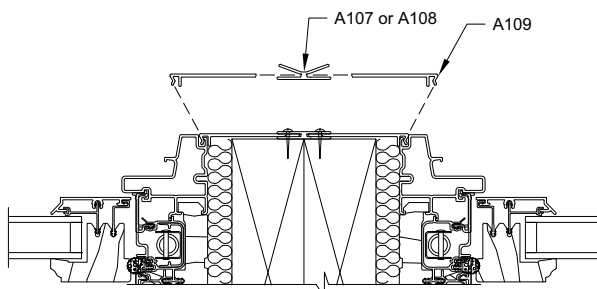
Clad Flat Casing

Used to simulate a wood casing for clad units.



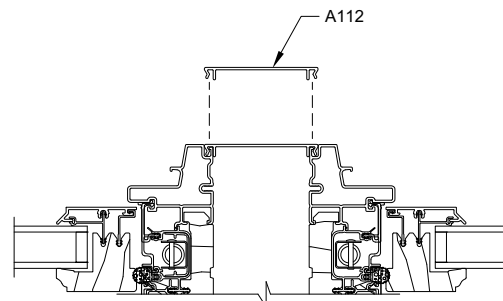
Clad Brick Mould Casing

Used to simulate a wood Brick Mould Casing for Clad units.



Frame Expander with Mullion Expander

A109 or A110 with A107 or A108. Used to create a solid color matched facade between mullied clad units.



Mullion Cover

Used to create a color matched facade between mullied clad units, available in various widths, refer to Clad Extrusions.

NOTE: All accessories are field applied by others, construction materials supplied by others.