

Elevate and Infinity OXXO Door Sliding Screen Installation

NOTE: Numbers listed in parentheses () are metric equivalents in millimeters rounded to the nearest whole number.

You Will Need to Supply

- Tape measure
- 3/32 (2) Drill bit
- Stiff putty knife
- Drill
- Phillips head bit

Dust Block Application

Before the screen is installed into the unit, five dust-blocks need to be added.

1. Place a dust block sitting vertical at the center of the sill tight to the bottom. See Figure 1.

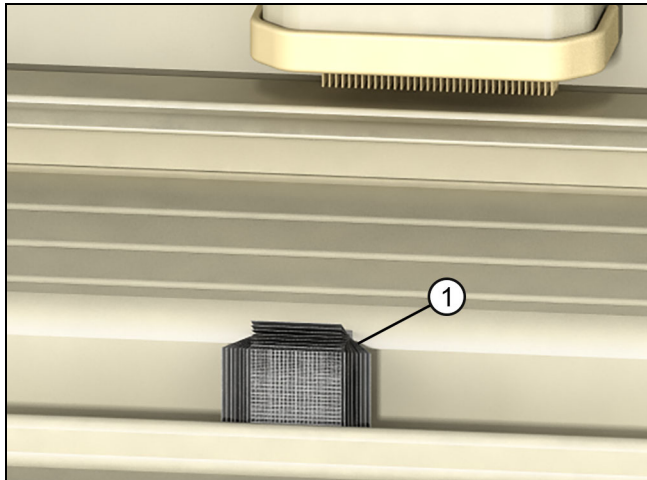


Figure 1

1	Dust block
---	------------

2. Place a dust block sitting vertically approximately 2" (51) from each end cap tight to the sill. See Figure 2.

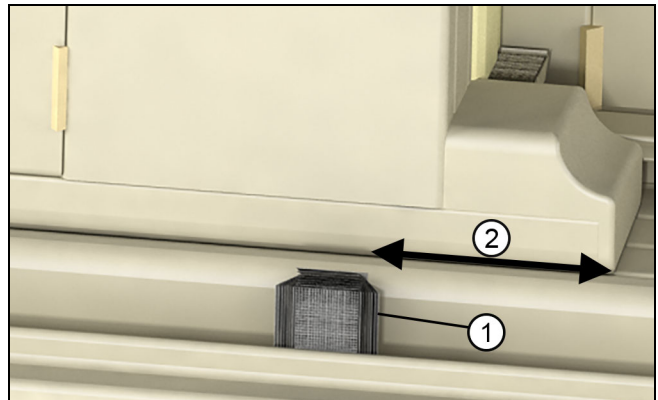


Figure 2

1	Dust block
2	2" (51)

3. Place a dust block horizontally attaching it to the leveling block above the two vertical end cap dust block. See Figure 3.

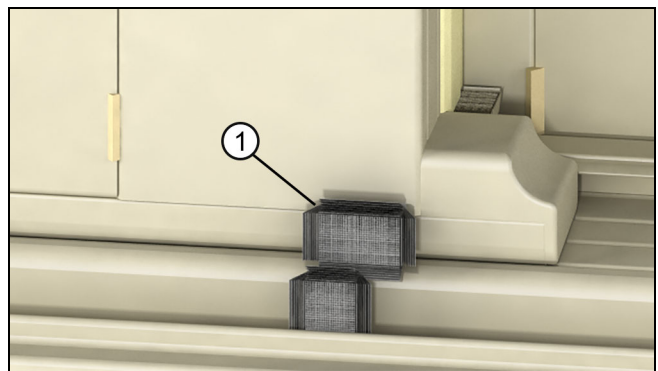


Figure 3

1	Horizontal dust block
---	-----------------------

Attaching the Screen Astragal to the Secondary Screen

1. Turn the secondary screen panel so the stile with the handle is up. See Figure 4.

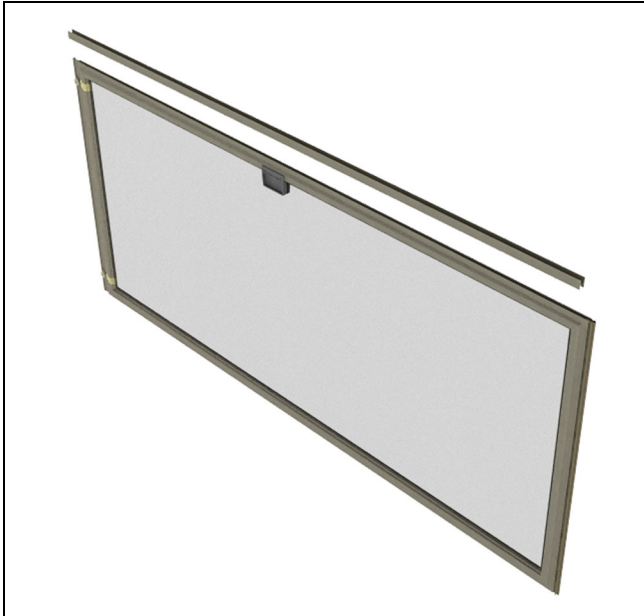


Figure 4

2. Align the astragal approximately 7/32" (6) from the bottom of the stile with the handle and pre-drill the stile with a 3/32" (2) drill bit, using the holes in the astragal as a guide. See Figure 5.

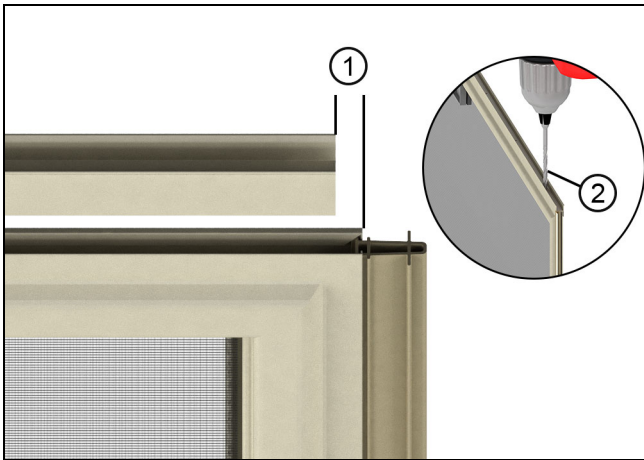


Figure 5

1	7/32"
2	3/32" drill bit

3. Fasten the screws in the pre-drilled holes. See Figure 6.

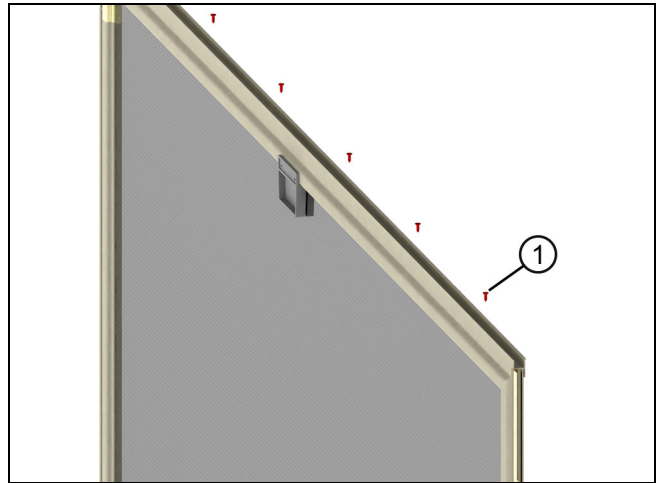


Figure 6

1	#7 x 1 1/2" screws
---	--------------------

Installing the Screen Panel

1. From the exterior, hold the screen with the rollers facing you while tilting the bottom of the screen panel away from the door. Lift the rollers into the screen track and pull the panel toward your body to engage the rollers in the track. See Figure 7. Make sure the rollers are seated in the screen track by moving the panel back and forth.

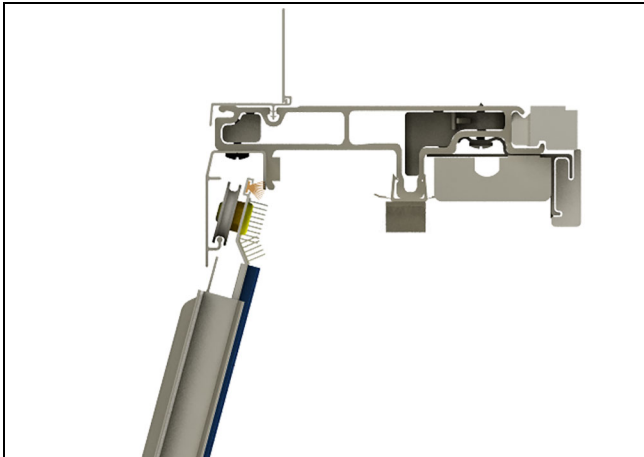


Figure 7

2. Once you are sure the rollers are fully seated in the screen track, pivot the screen panel into position toward the sill and place the bottom screen panel guide into the sill track by lifting it with your fingers or by lifting with a stiff putty knife. See Figure 8.

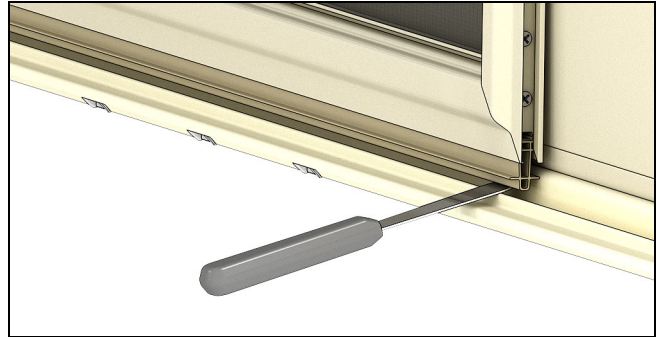


Figure 8

Screen Adjustment

1. Adjustment is possible from the interior by loosening or tightening the top roller screw nearest the locking stile of the screen. Adjust the screens so that the locking stiles are parallel to each other to achieve an even reveal along the entire height of the screen. See Figure 9.

NOTE: If more adjustment is necessary, the other roller adjustment screw can be used but the screen panel may need to be removed for access.



Figure 9

Screen Lock Installation

1. To install the screen lock on the screen astragal, raise (unlock) the screen latch. Open the screen and lightly mark the bottom location of the latch with a pencil on the exterior face of the screen. Close the screen against the astragal. See Figure 10.

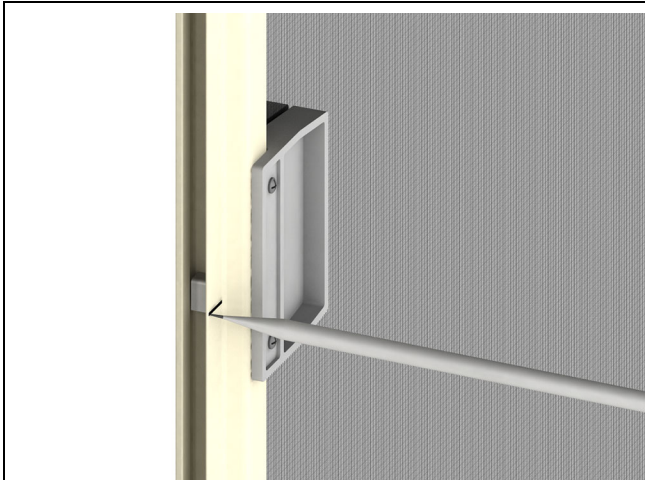


Figure 10

2. Close the screen against the astragal. Transfer latch location from the screen frame to the astragal. See Figure 11.

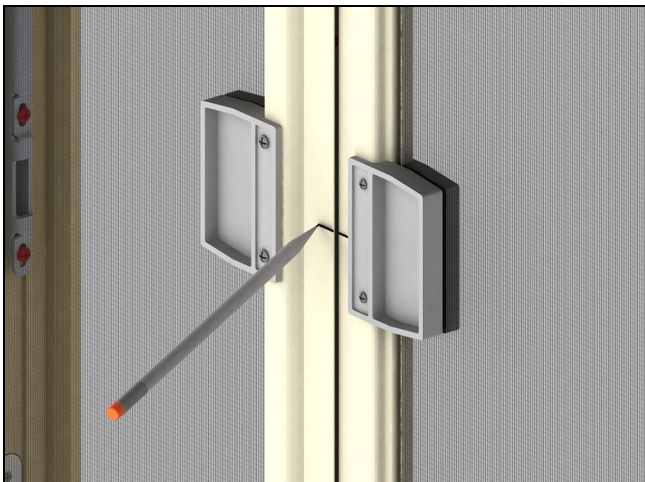


Figure 11

3. Open and slide the screen to the open position. Position strike on the astragal 1/8" (3) below the latch reference mark. Center the strike on the astragal between the interior and exterior of the screen. See figure 11. Mark the center of each screw slot on astragal. Drill pilot holes with a 3/32" (3) drill bit. Position strike on astragal and fasten with the two provided #6 x 1/2" pan head screws. Set strike screws at the center of the adjustment slots. Raise or lower strike as needed. See Figure 12.

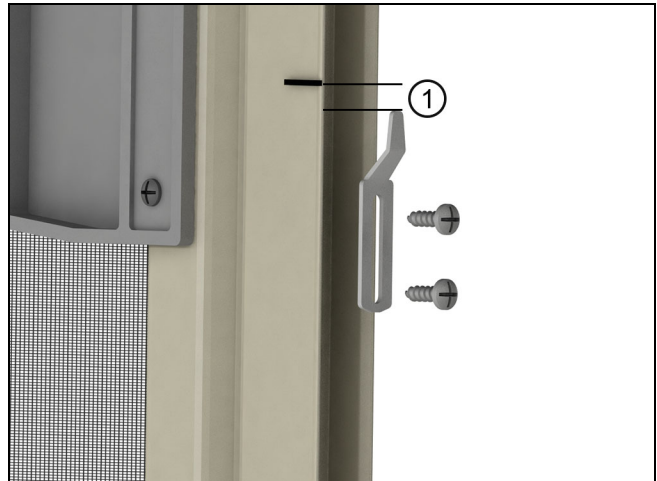


Figure 12

1	1/8" (3)
---	----------

Removing the Screen Panel

1. To remove the screen panel, start at the bottom corner and pry the screen panel guide up with a putty knife. Pull the guide off the screen sill track and work your way to the other end. [See Figure 13.](#)

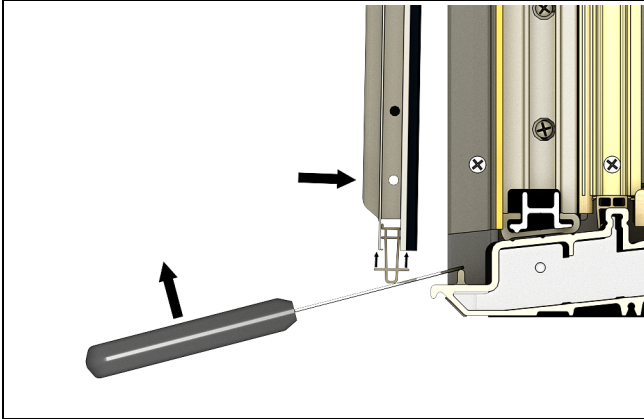


Figure 13

2. Once the sill end of the screen panel is completely released from the sill track, pivot the bottom of the screen out and push the panel toward the head jamb. This will release the screen panel rollers from the head jamb screen track. Remove the panel from the door. [See Figure 14.](#)



Figure 14