

Elevate Impact Window and Doors

Supplemental Instruction for IZ3 Rated Products

Table of Contents

Installation Clips with Nailing Fin 2
Structural Brackets..... 3
Installing the Window or Door 4
Additional Fastening for Casement Mull Installations 5

IMPORTANT

IMPACT PRODUCTS: Use these instructions in conjunction with the detailed installation instructions included with each order. This instruction is a guide for placement and application of brackets and additional fastening methods for impact rated products. As always, read all instructions thoroughly before beginning to install your impact window or door.



NOTE: Numbers listed in parentheses () are metric equivalents in millimeters rounded to the nearest whole number.

NOTE: Fasteners penetrating chemically treated lumber must be a minimum of 0.90 oz/fts zinc dipped galvanized or stainless steel type 304 or 316.

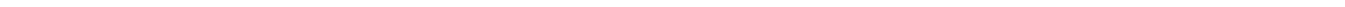
⚠ CAUTION!

To avoid mull damage after units are unpackaged, apply mull brackets or clips immediately to strengthen mulled joints before transferring units at the site.



IMPORTANT

Fasten IZ3 rated products to the rough opening using either installation clips and nailing fin, through jamb screws/ clips, or structural brackets.



Installation Clips with Nailing Fin

NOTE: Installation and mull clips are specialized for each frame/mull. Casement Polygons and Round Tops use ELCA / ELCAP / ELCAWN clips. Double Hung, Glider, and Door Polygons and Round Tops use ELOFD clips, IIFD use ELIFD clips. MULLING: Direct Glaze Polygons mullled to ELCA/ELCAP/ELCAWN use ELCA mull clip. Direct Glaze Polygons mullled to ELDH / ELD-HP / ELOFD use ELOFD mull clip.

1. Attach clips to the unit jambs and head jamb (and sill for Round Tops) with #7 x 5/8" screws 6" (152) maximum from each corner and 18" (452) maximum. For ELIFD Impact instructions, refer to the Elevate Inswing Installation Instructions. [See Figure 1.](#)

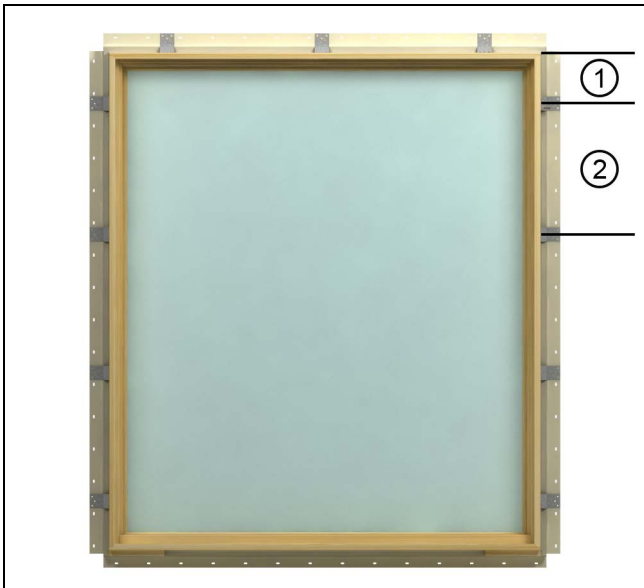


Figure 1

1	6" (152)
2	18" (457)

2. Center mull clip over mullion. Attach to unit and mull post with #7 x 5/8" wood screw through every hole in mull clip. Attach nailing fin 4" (102) from all corners and a maximum of 7" (178) apart around the rest of the unit perimeter. See [Installing the Window or Door on page 4](#) for more details on how to fasten the unit in the opening with the various installation clips. [See Figure 2.](#)

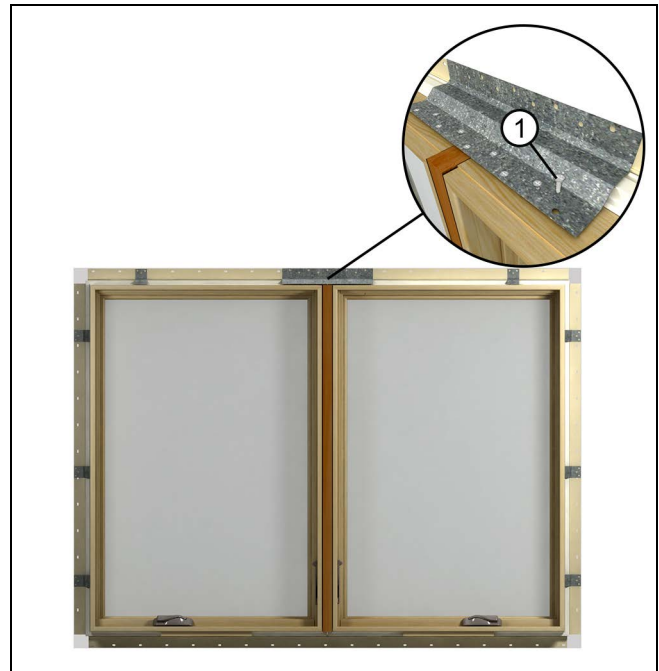


Figure 2

3. On Round Top Double Hung units, attach 5/8" X 3 1/2" filler blocks to the sill prior to attachment of installation clips. Attach the blocks by first placing a 5/16" (8) bead of construction adhesive to the block. Fasten the blocks to the sill using #8 x1 1/4" screws. When using installation and mull clips with nailing fin, use the screw holes in the clip as a guide and drill through the nailing fin with a 1/8" (3) drill bit. This will give you the location of the screw holes when you fasten the unit to the rough opening. See Figure 3.

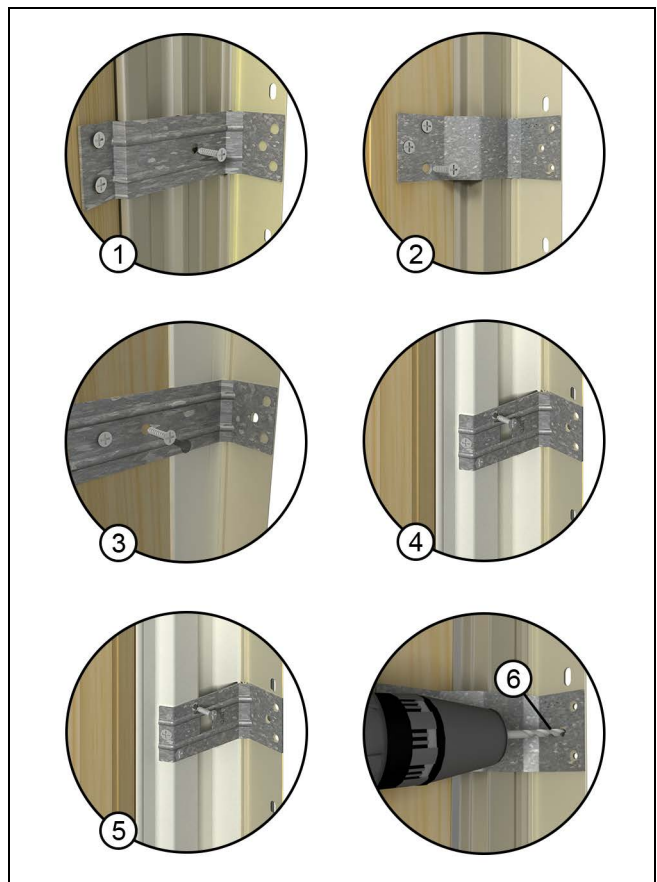


Figure 3

1	ELDH
2	ELCA/ELCAP/ELAWN/ELRT CA
3	ELOFD/ELRT DH
4	ELSFD
5	ELIFD
6	1/8" drill bit

Structural Brackets

1. Attach structural brackets and structural mull brackets to the jambs, head jambs, and sills (windows only) following the attachment method and spacing specified with the bracket instructions.

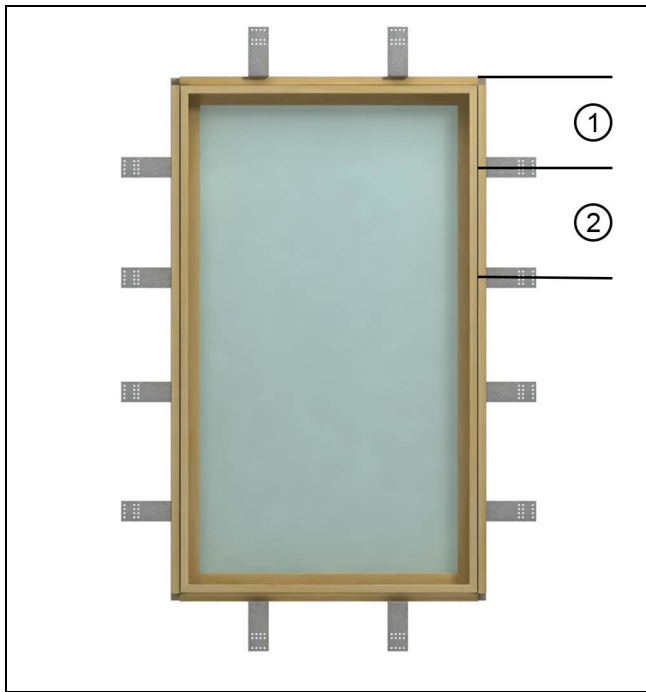


Figure 4 Structural bracket spacing

1	6" (152)
2	12" (305)

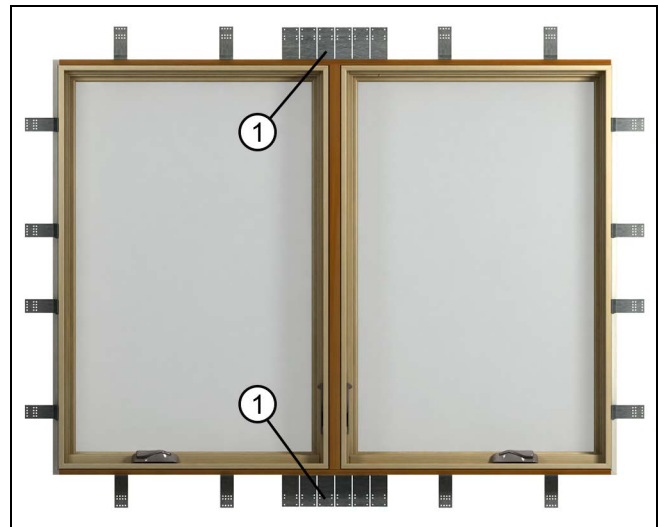


Figure 5 Structural mull brackets

1	Mull brackets
---	---------------

Installing the Window or Door

1. All impact rated windows (except Round Tops) must be adhered to the sill with a discontinuous 5/16" (8) bead of sealant on the framing sill where it will contact the window or door frame sill. See figure 5. Leave approximately 2" (51) gaps on the ends. See figure 6. For Impact door installation methods refer to the general door installation instructions (part number 19915634) and the product specific installation instructions for your product.

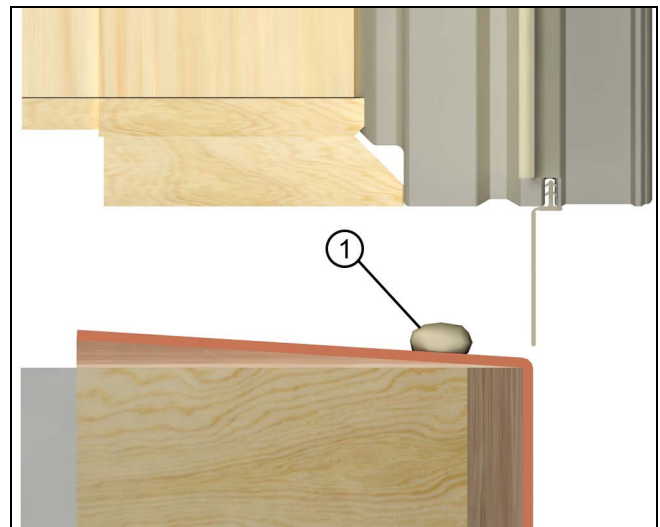


Figure 6

1	Sealant
---	---------

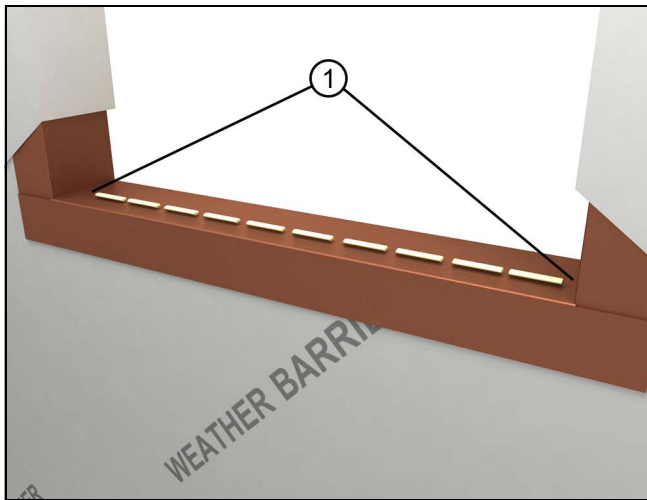


Figure 7

1	Leave gaps at the end of the sealant
---	--------------------------------------

NOTE: If using sealant, use ASTM C920 Grade NS Class 25 sealant. Make sure the sealant is compatible with all building materials and the unit frame. When using installation and mull clips in conjunction with nailing fin, fasten the clips to the rough opening with #8 x 1 1/4" screws.

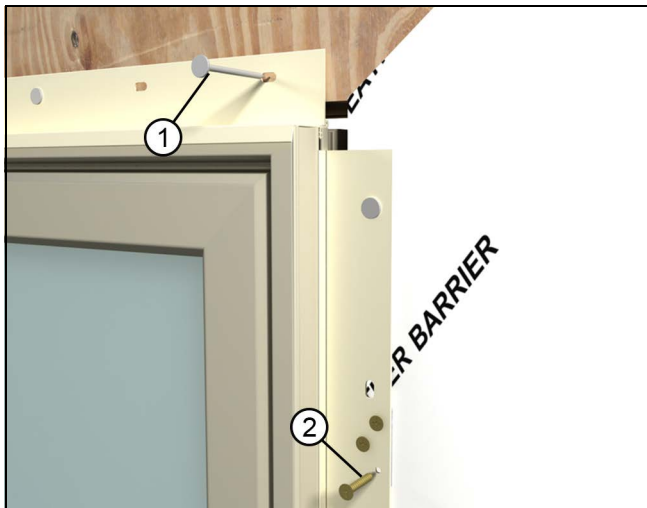


Figure 8

1	Roofing nail
2	#8 x 1 1/4" screw

2. When using structural and mull brackets, bend brackets against wood framing as shown in [Figure 9](#). Attach structural brackets to wood framing with two #8 x 1 5/8" screws per tab, making sure that the screws are no more than 1/4" (6) from the bend in the bracket (edge of the wood buck). Angle the screws approximately 15 degrees toward the thicker part of the framing member.

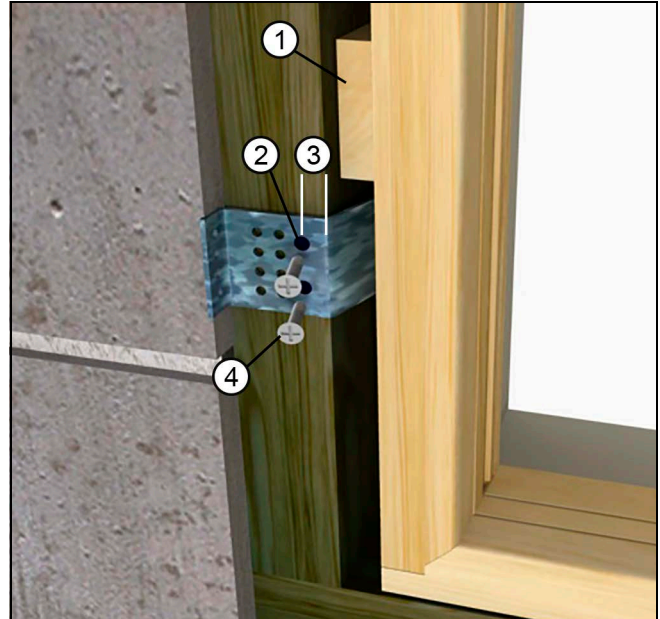


Figure 9

1	Shim
2	5/32" holes
3	1/4"
4	#8 x 1 5/8" screws

3. Follow all finishing, flashing and sealing steps found in the installation instructions sent with your window or door order. For Casement mull units, follow the instructions in, [Additional Fastening for Casement Mull Installations on page 5](#).

Additional Fastening for Casement Mull Installations

Casement/Casement Picture (ELCA/ELCAP)

1. Carefully pry away the top head jamb cover with a stiff bladed putty knife. Remove the brad nails.

2. Shim and fasten through the pre-drilled screw holes using the 3" (76) installation screws. If the pre-drilled holes are missing, drill holes with a 7/64" (3) drill bit.

Holes are spaced maximum 8" (203) from each end and maximum 14" (356)

3. Reinstall the head jamb stop and fasten with 3/4" (19) brad nails spaced 6" - 8" (152-203) apart. See Figure 10.

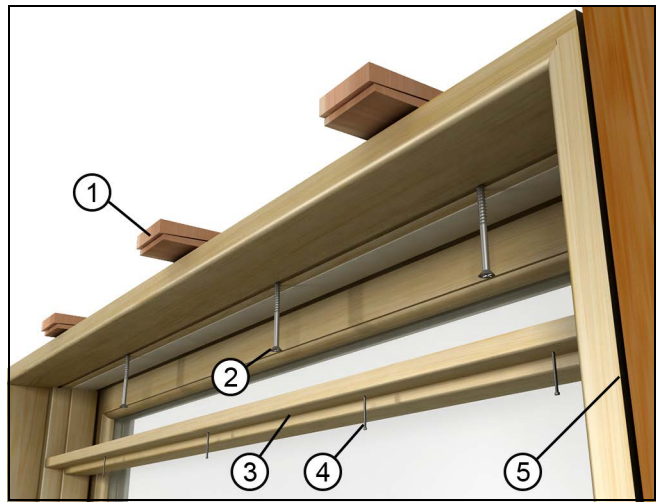


Figure 10 ELCA/ELCAP additional installation with screws.

Casement Direct Glaze (ELCADG)

1. Mark and pre-drill 1/4" (6) from the glazing bead at a 15 degree angle, with a 7/64" (3) drill bit, 8" (203) from each end and a maximum 14" (356) evenly spaced. Shim and fasten through the screw holes using the 3 1/8" round top installation screws. See Figure 11. Apply putty over the screw holes.

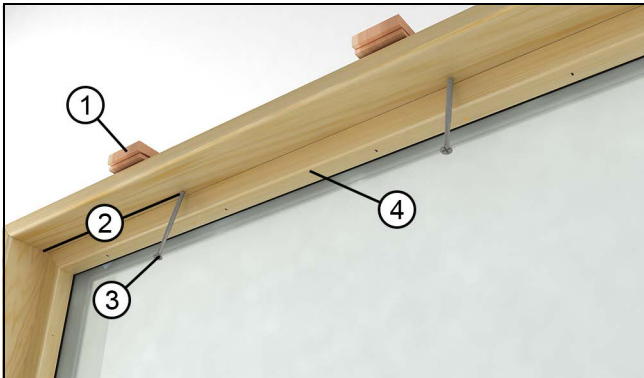


Figure 11 ELCADG mulled units.

1	Shims
2	8"
3	#8 x 3 1/2" screw
4	Glazing bead