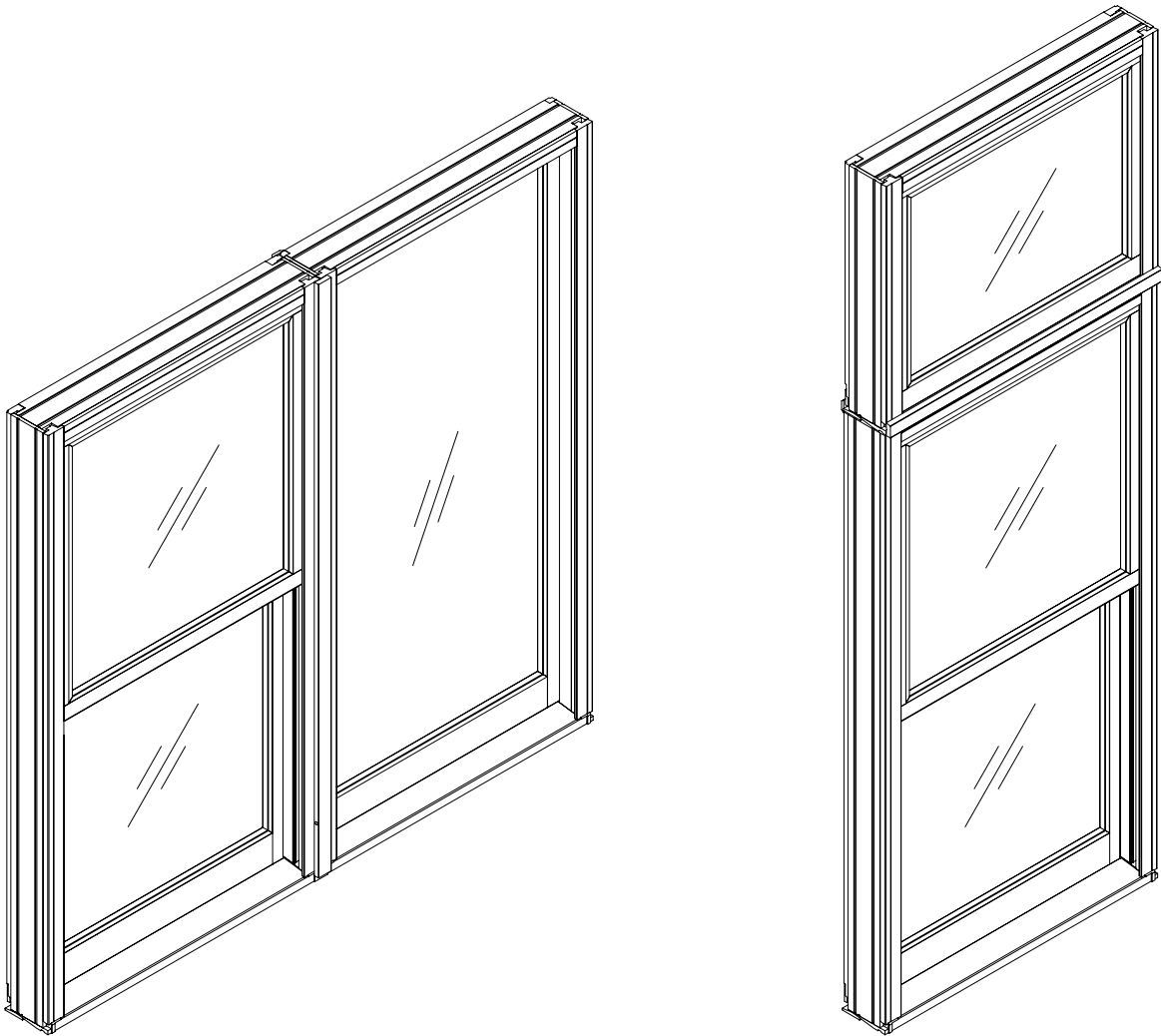


# Ultimate Wood Double Hung Insert

## Field Mulling Instructions



INDEX	Page
WINDH Vertical Mulling .....	1
WINDH Horizontal Mulling .....	2

## VERTICAL MULLING

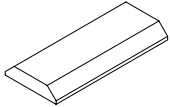
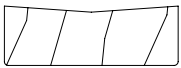
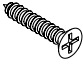

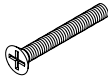

*Note: Numbers listed in parentheses ( ) are metric equivalents in millimeters rounded to the nearest whole number.*

**Attention: The following instructions pertain to mulling a UWDHIN operator or picture unit to a UWDHIN operator or picture unit. Unless stated in the caption below the illustration or in the preceding text, the illustrations found in the following vertical mulling instructions will detail mulling two UWDHIN operator units.**

### YOU WILL NEED TO SUPPLY

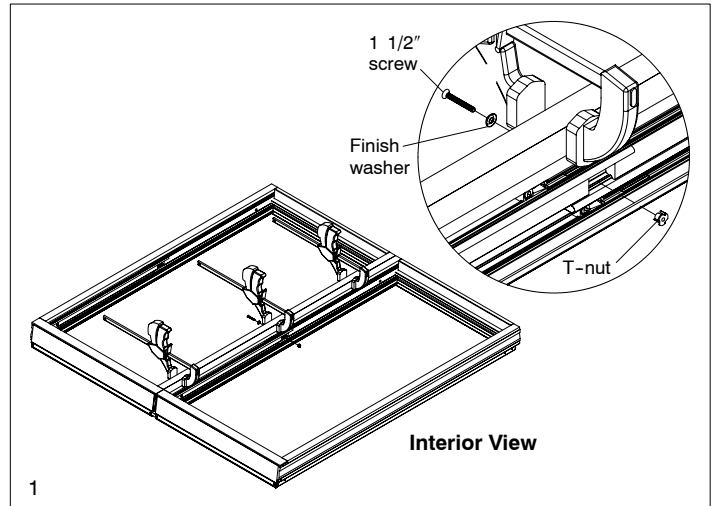
Safety glasses	Hammer
Clamps	1 1/4" finishing nails
Power mitre saw or hacksaw	
Power driver/drill with Phillips head bit	
1/2" x 5/8" crown staples with gun	
Silicone sealant - grade NS Class 25 per ASTM C920 and compatible with building exterior and window surfaces.	

### PARTS SUPPLIED W/VERTICAL MULL KIT

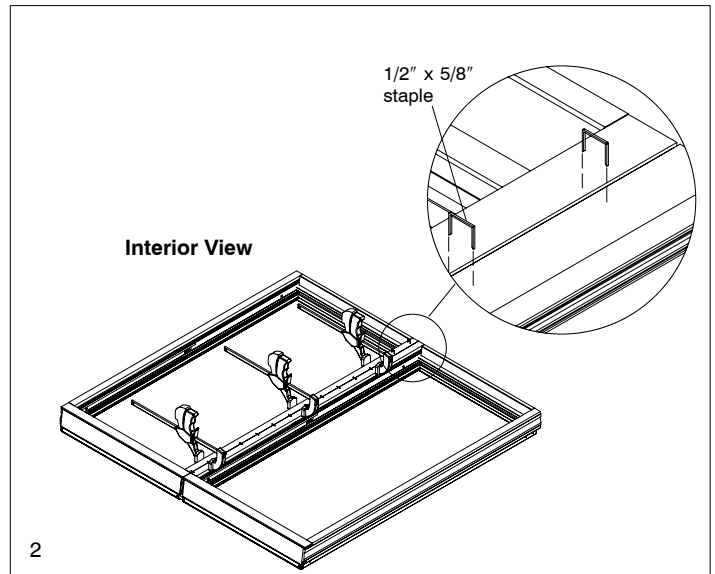
ILLUSTRATIONS (not to scale)	DESCRIPTION AND COLOR	PART/PROFILE NUMBER
	Interior vertical mull trim	W1065
	Exterior vertical mull trim	W8601
	5 - #7 x 7/8" Phillips flathead wood screws	11800778
	1 - #10-24 x 1/4" T-nut (for operator to operator mulling only)	05080251
	1 - #10 x 1 1/4" Phillips flathead machine screw (for operator to operator mulling only)	05060500
	1 - Finish washer (for operator to operator mulling only)	05080311

## Vertical Mull Procedures

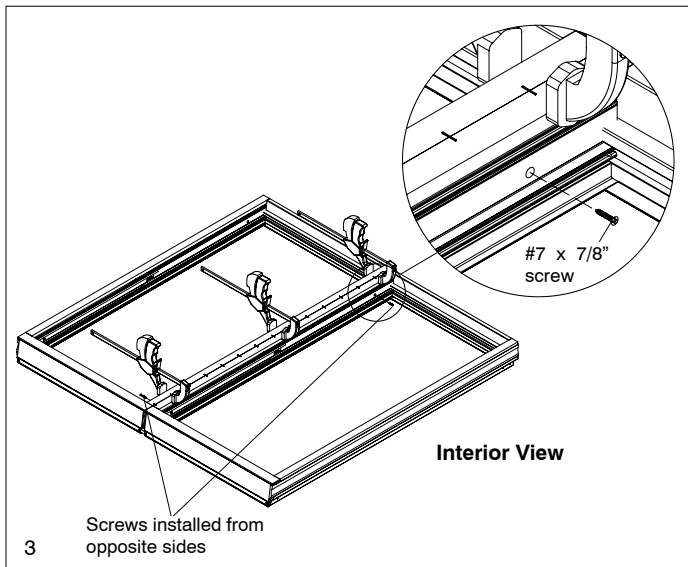
1. Remove sash and any shipping material including corner braces. Remove any staples or nails from the frame that will interfere with the mulling and/or installation of assembly. Lay frames to be mulled on a flat sturdy surface in the desired mulling configuration, interior side up.
2. If mulling any configuration involving a picture unit skip to step 5. If mulling two operator units, insert T-nut in check rail installation hole on one jamb. Lightly clamp units on the interior so the jamb liners are flush. Make sure frames are even and flush at the sill. While holding T-nut, insert #10 x 1 1/4" machine screw and finish washer from other side until it engages with the T-nut. Tighten machine screw. See illustration 1.



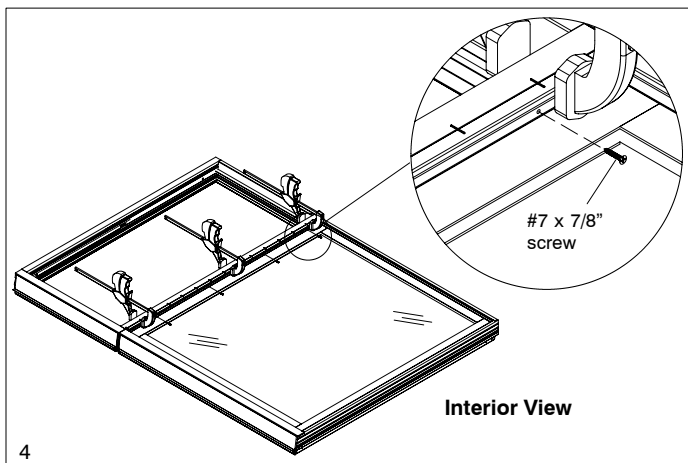
3. Continue mulling interior with 1/2" x 5/8" crown staples, 2" (51) from each end and spaced every 3-5" (76-127). See illustration 2.



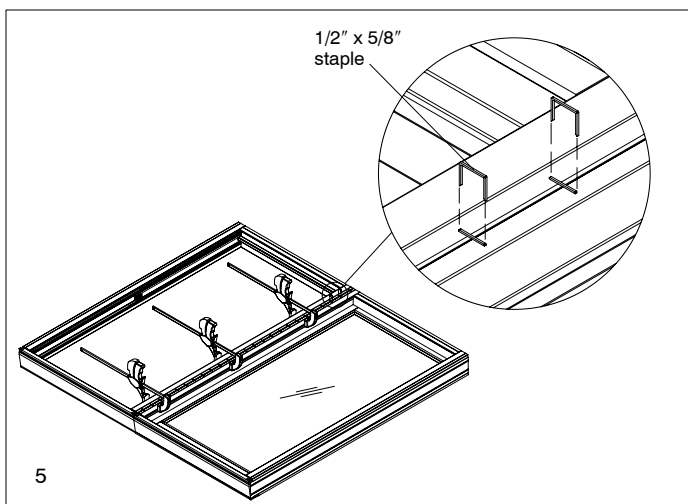
4. Secure the mullled jambs together by screwing one #7x7/8" wood screw through the bottom installation hole from one side and inserting another screw through the top installation hole from the opposite side. See illustration 3.



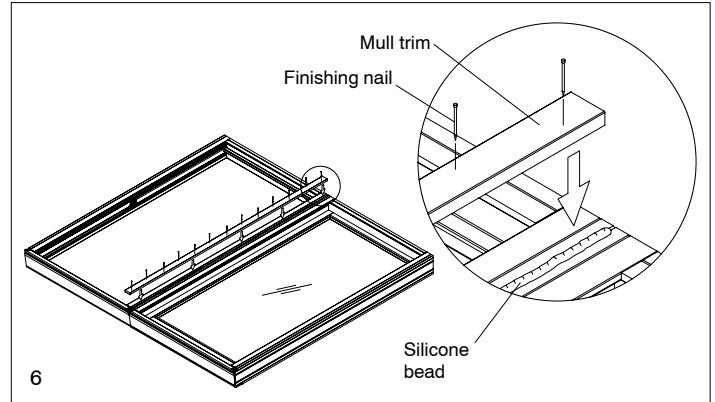
5. If mulling any configuration involving a picture unit, fasten jambs by driving the #7 x 7/8" screws through the pre-drilled screw holes in picture units jambs as shown in illustration 4.



6. Carefully turn assembly over (exterior side up). Lightly clamp units and mull exterior with 1/2" x 5/8" crown staples 2" (51) from each end and spaced every 3-5" (76-127). See illustration 5.



7. Apply a 1/4" bead of silicone down the mull joint and apply the exterior mull trim over the silicone bead centered on the mull joint and flush with the sill. Fasten the exterior mull trim using 1 1/4" finishing nails. See illustration 6.

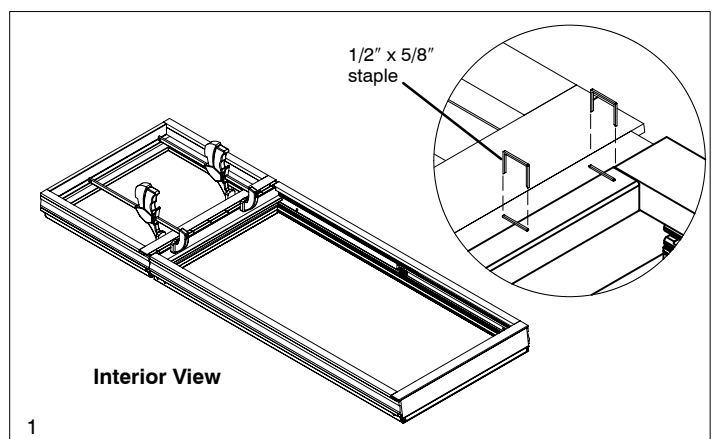


## HORIZONTAL MULLING

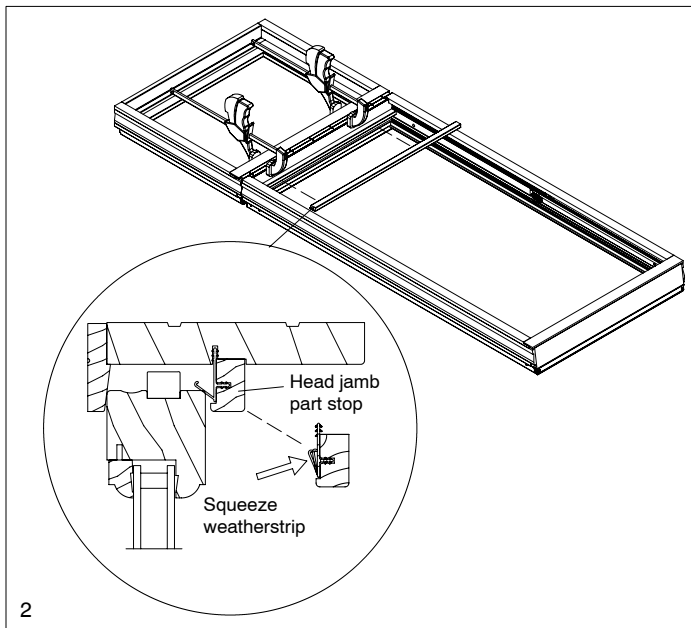
PARTS SUPPLIED W/HORIZONTAL MULL KIT		
ILLUSTRATIONS (not to scale)	DESCRIPTION AND COLOR	PART/PROFILE NUMBER
	Interior Horizontal mull trim	W1243
	Exterior Horizontal Mull	W8604
	5 - #7 x 7/8" Phillips flathead wood screws	11800778

## Horizontal Mull Procedures

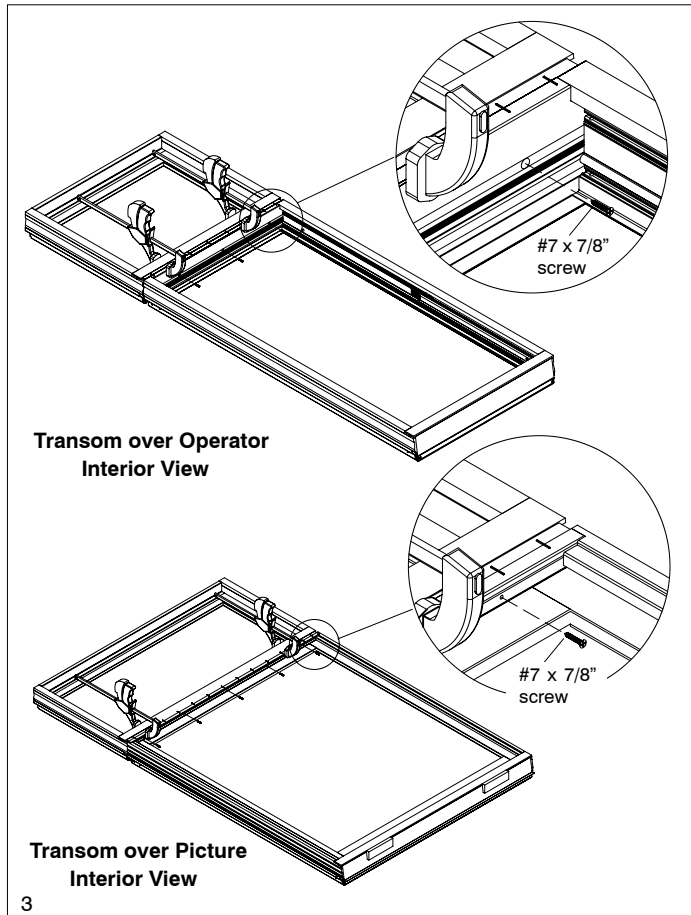
1. If applicable, remove sash and any shipping material including corner braces. Remove any staples or nails from the frame that will interfere with the mulling and/or installation of assembly. Lay frames to be mullled on a flat sturdy surface in the desired mulling configuration, interior side up. Lightly clamp units together on interior so that transom sill and operator head jamb are flush on the interior and even at the ends. Fasten interior wood members with 1/2" x 5/8" crown staples 2" from each end and spaced every 3-5" (76-127). See illustration 1.



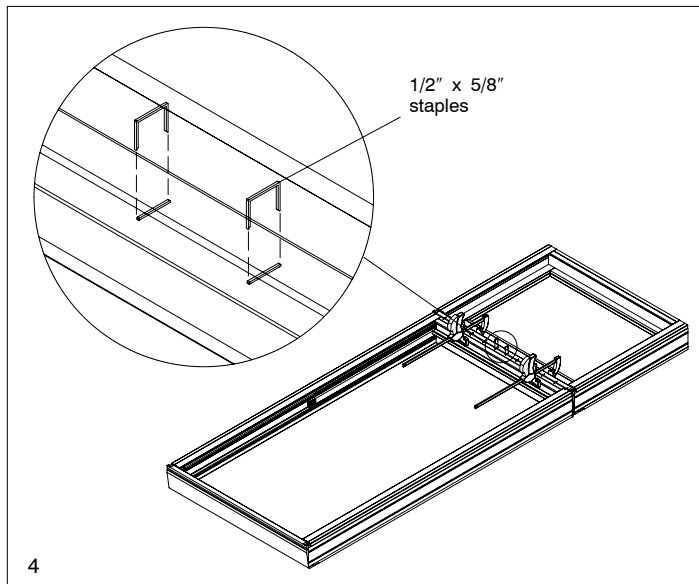
- If applicable, remove head jamb parting stop from operator unit. Squeeze together the weatherstrip and wood portion of the parting stop and pull down as shown in illustration 2. Be careful not to tear the jamb weatherstrip.



- On operator units, countersink and pre-drill holes 4" from each corner and one in the center of head jamb using a 1/8" (3) drill bit. Place holes in the groove used to hold in the parting stop. On picture units, use the holes already predrilled in the head jamb (done at the factory). Fasten the two units together with #7 x 7/8" Phillips flat head wood screws as shown in illustration 3.



- Carefully turn assembly over (exterior side up). Lightly clamp units and mull exterior with 1/2 x 5/8" crown staples 2" (51) from each end and spaced every 3-5" (76-127). See illustration 4.



- Apply a 1/4" bead of silicone down the mull joint and apply the exterior mull trim over the silicone bead centered on the mull joint and flush with the sill. Fasten the exterior mull trim using 1 1/4" finishing nails. See illustration 5.

