

Elevate Double Hung Insert Measuring Instruction



Before You Begin

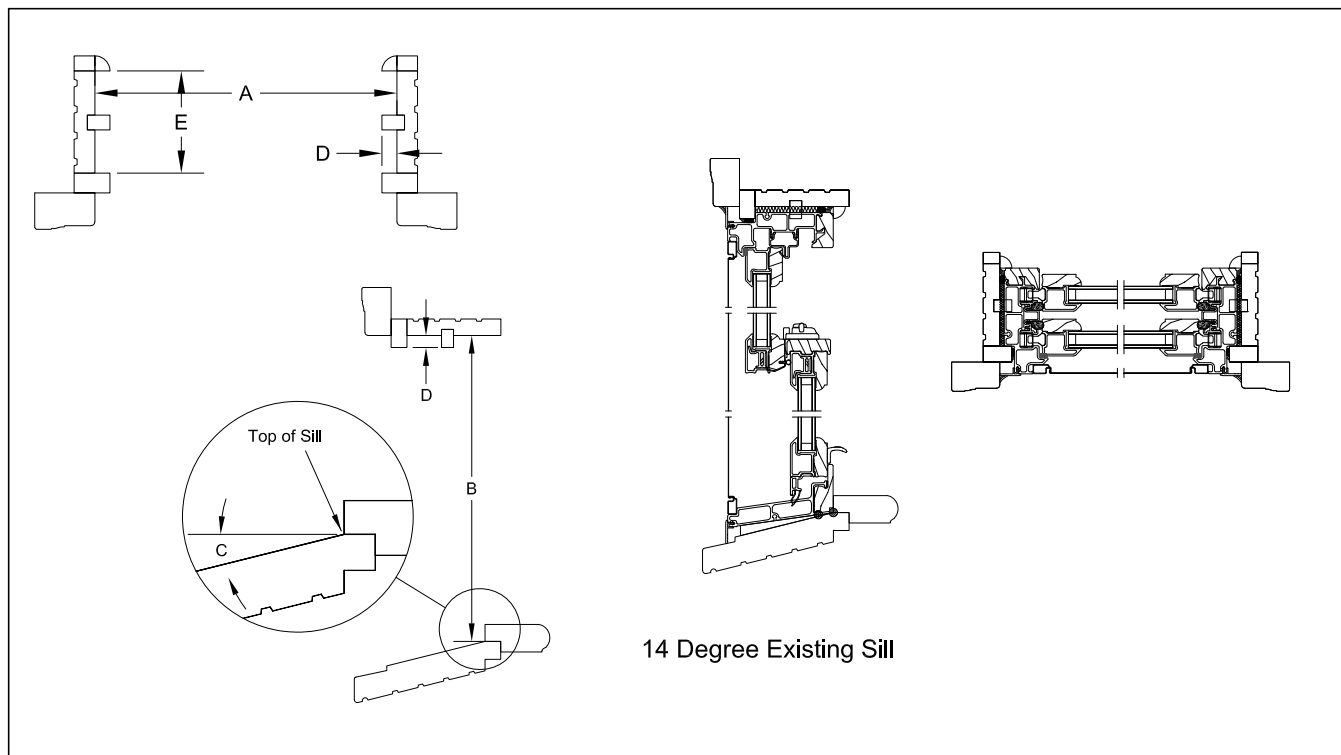
You will need to supply:

Angle finder Tape measure

- These measuring instructions are intended for Elevate Double Hung Insert (ELDHIN), Elevate Double Hung Insert Picture (ELDHINP).
- Be sure to inspect the exterior around the existing window unit for rot or deterioration. If there is damage to the exterior, a full frame unit installation may be a better choice.

- The Elevate Insert will be made with an 8° sill bevel. For existing sill angles greater than 8°, the interior edge of the insert sill will rest on the existing sill. It may be necessary to cover the resulting gap with trim after installation.
- For existing sill angles less than 8°, the exterior nose of the Elevate Insert sill will rest on the existing sill.
- It may be necessary to cover the resulting gap with trim.

NOTE: Numbers listed in parentheses () are metric equivalents in millimeters to the nearest whole number.



Required Measurements

1. **Inside Opening Width (A):** Measure inside of frame at three locations: the sill, center of jambs, and head jamb. Record the **narrowest** measurement.

NOTE: Do not measure width from parting stops, blind stops, hardware, or weather strip.

2. **Inside Opening Height (B):** Measure from the top of the sill to the bottom of the head jamb.
3. **Sill Angle (C):** Use an angle finder to determine the sill angle to the nearest degree.

Recommended Measurements

4. Measure the width of the blind stops from the inside opening to the edge of the blind stop (**D**). If width exceeds 1/2" (13), modification to the blind stop or an exterior installation may be necessary.
5. Measure jamb pocket depth (**E**). If depth is less than 3 1/4"(83) or greater than 3 1/2" (89) modification to the pocket may be necessary. Exterior installation is recommended for pocket depths less than 3 1/4"(83).

