



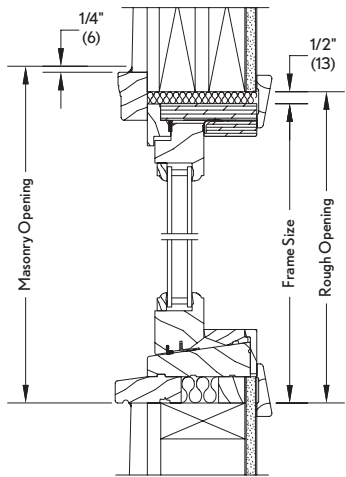


# WOOD ULTIMATE DOUBLE HUNG ROUND TOP

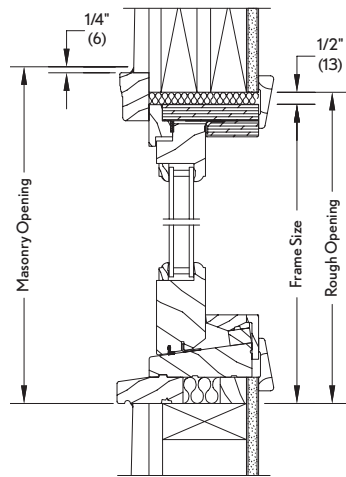
## RT1 TRUE HALF CIRCLE - IN SASH TRANSOM

RO (mm)	2-2 3/8 (670)	2-6 3/8 (772)	2-8 3/8 (822)	2-10 3/8 (873)	3-0 3/8 (924)	3-2 3/8 (975)
RO Rad. (mm)	1-13/16 (335)	1-3 3/16 (386)	1-4 3/16 (411)	1-5 3/16 (437)	1-6 3/16 (462)	1-7 3/16 (487)
RO (mm)	1-13/16 (335)	1-3 3/16 (386)	1-4 3/16 (411)	1-5 3/16 (437)	1-6 3/16 (462)	1-7 3/16 (487)
	WUDHRT2015	WUDHRT2417	WUDHRT2618	WUDHRT2819	WUDHRT3020	WUDHRT3221
RO (mm)	3-6 3/8 (1076)	3-10 3/8 (1178)	4-3 3/4 (1314)	4-11 3/4 (1518)	5-7 3/4 (1721)	6-3 3/4 (1924)
RO Rad. (mm)	1-9 3/16 (538)	1-11 3/16 (589)	2-1 7/8 (657)	2-5 7/8 (759)	2-9 7/8 (860)	3-1 7/8 (962)
RO (mm)	1-9 3/16 (538)	1-11 3/16 (589)	2-1 7/8 (657)	2-5 7/8 (759)	2-9 7/8 (860)	3-1 7/8 (962)
	WUDHRT3623	WUDHRT4025	WUDHRT5027	WUDHRT5831	WUDHRT6635	WUDHRT7439

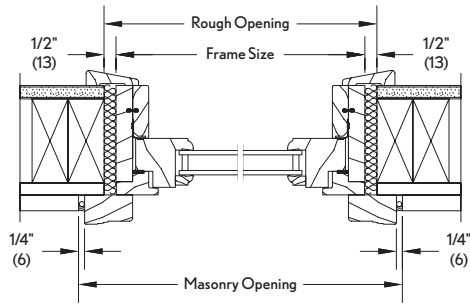
## CONSTRUCTION DETAILS



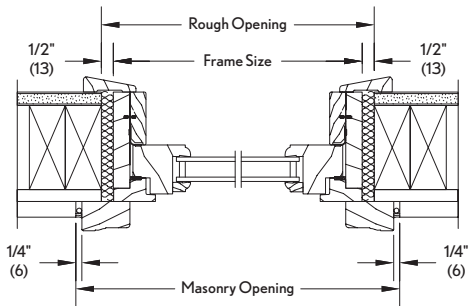
2" SASH HEAD JAMB AND SILL - TRANSOM



2" SASH HEAD JAMB AND SILL - PICTURE



2" SASH JAMB - TRANSOM



2" SASH JAMB - PICTURE

### NOTES:

- Elevations shown represent standard transoms without subsill. Add 15/16" (24) for direct glaze and 1 3/32" (28) for in sash to the rough opening height for standalone unit.
- Construction details without subsill not shown.
- Please consult your local Marvin® representative for more information.

Wood Ultimate Double Hung Round Top: **WUDHRT**