





# WOOD ULTIMATE DOUBLE HUNG ROUND TOP - DIRECT GLAZE

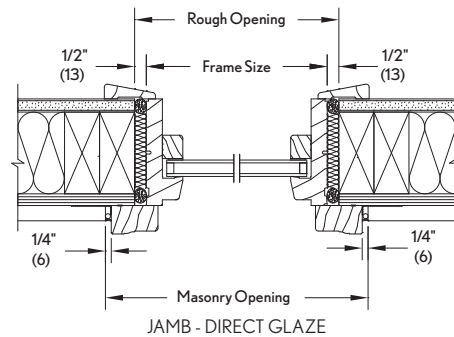
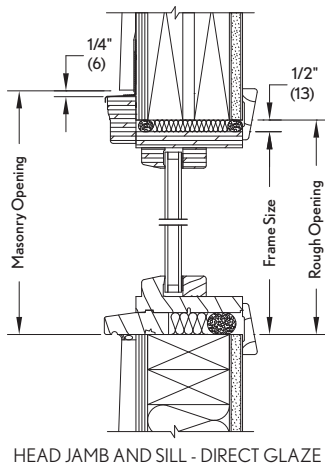
## RT1 TRUE HALF CIRCLE STANDARD SIZES - DIRECT GLAZE

RO (mm)	2-6 3/8 (772)	2-8 3/8 (822)	2-10 3/8 (873)	3-0 3/8 (924)	3-2 3/8 (975)	3-6 3/8 (1076)
	1-3 3/16 (386)	1-4 3/16 (411)	1-5 3/16 (437)	1-6 3/16 (462)	1-7 3/16 (487)	1-9 3/16 (538)
	WDGRT2914	WDGRT3115	WDGRT3316	WDGRT3517	WDGRT3718	WDGRT4120
RO (mm)						
RO (mm)	3-10 3/8 (1178)	4-3 3/4 (1314)	4-11 3/4 (1518)	5-7 3/4 (1721)		6-3 3/4 (1924)
	1-11 3/16 (589)	2-1 7/8 (657)	2-5 7/8 (759)	2-9 7/8 (860)		3-1 7/8 (962)
	WDGRT4522	WDGRT5025	WDGRT5828	WDGRT6632		WDGRT7437
RO (mm)						

## RT29 ELLIPTICAL STANDARD SIZES - DIRECT GLAZE

RO (mm)	4-3 3/4 (1314)	4-11 3/4 (1518)	5-7 3/4 (1721)	6-3 3/4 (1924)
	1-5 5/16 (456)			
	WDGRT5118	WDGRT5918	WDGRT6718	WDGRT6718
RO (mm)				

## CONSTRUCTION DETAILS



### NOTES:

- If these units are NOT used as transoms, ADD 1 3/32" (28) to the rough opening height for subsill.
- Please consult your local Marvin® representative for more information.

Wood Direct Glaze Round Top: **WDGRT**