

Ultimate Wood Bi-Fold Door

Site Prep Guide

Preface

The Ultimate Wood Bi-Fold Door system requires proper site preparation to ensure optimal performance and operation after installation. The Wood Ultimate Bi-Fold Door Instruction will provide the necessary information to properly prepare the wall opening for ease of installation and operational integrity.

Site preparation begins with prepping the opening for the specified sill system. The selected sill and substrate must offer the door system support which spans the width and depth of the unit. The exterior sill liner must be completely supported. Several sill options are available for consideration. Regardless of sill type, the foundation must support the sill height variance requirement of 1/16" (2) maximum across the entire sill length.

In conjunction with the sill, the framing of the rough opening must be installed plumb, square, and true within 3/16" (5). The header must be flat and designed to uphold the deflection requirement of not more than 1/8" (3) over the entire length of the unsupported span when fully loaded. Side jambs and pocket framing must be constructed of a continuous flat solid surface that is plumb.

Always practice safety! Wear the appropriate eye, ear and hand protection, especially when working with power tools.

Centor Screen

For instructions on how to install your Scenic Screen, please follow this link:

http://www.centorusa.com/files/upload/instructions_s1e.pdf

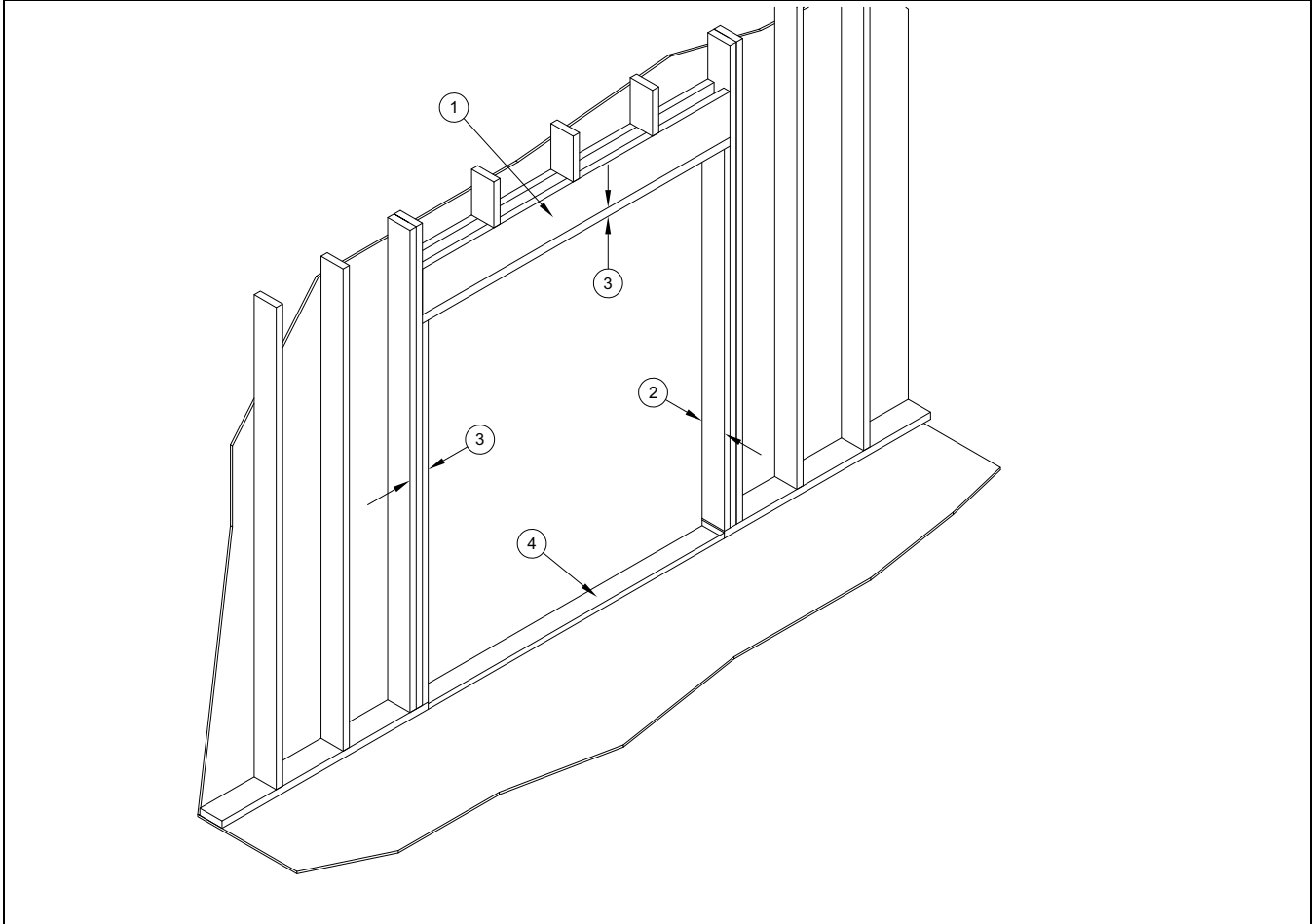
To watch the installation video, follow this link:

<https://www.youtube.com/watch?v=K0Gyo-SywXo>

To watch a video on benefits and features of the screen, follow this link:

<https://www.youtube.com/watch?v=NlzlnzSrPLY>

Rough Opening Detail

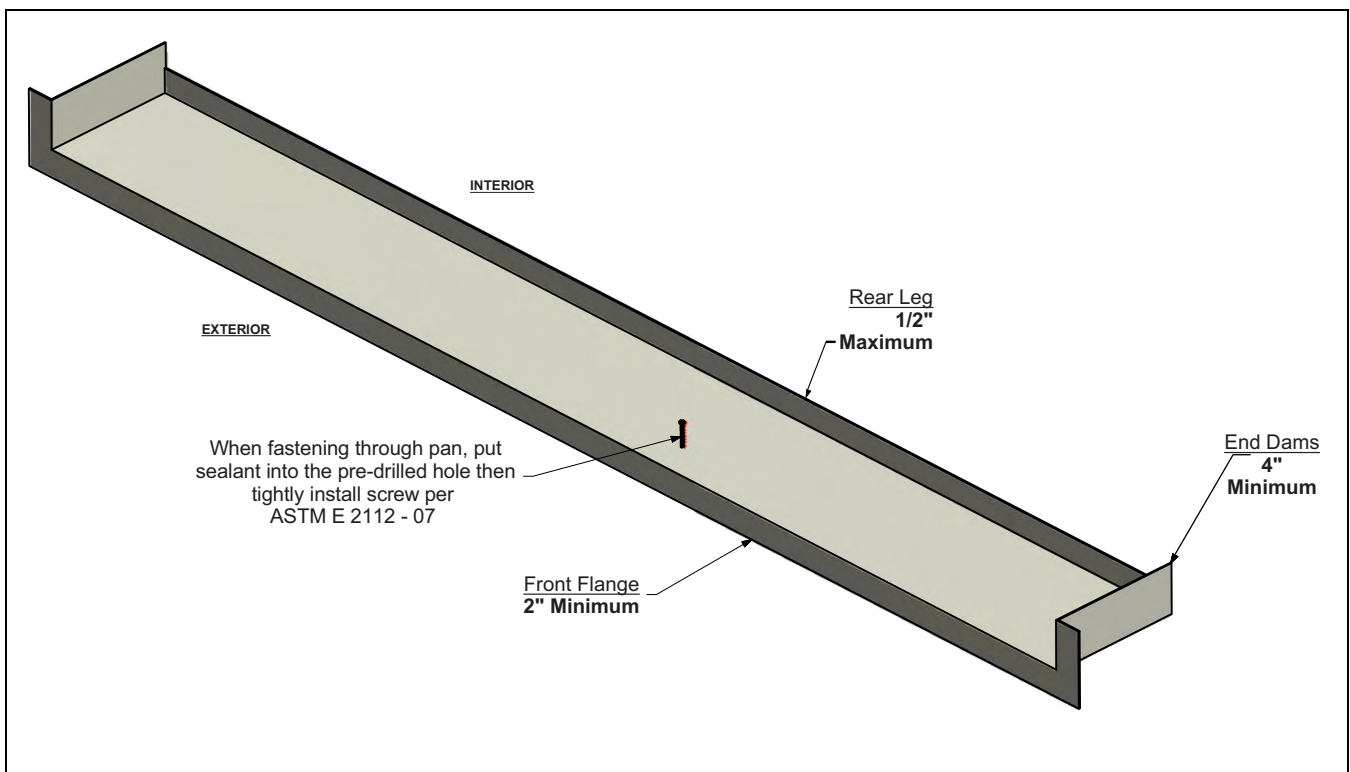


1	Header- Header must be able to carry the full load of the door panels. This load can be approximated by using 7 psf.
2	Jamb Depth- The door is 5 9/16" standard, with the option of field applied jamb extension. If installing a screen, jamb extension is not an option and the rough opening must be stepped- see page 9 for dimensional detail.
3	Fastening Material- there must be a minimum of 2" of wood framing at the jambs and head jamb to use supplied fasteners.
4	Sill Panning (required)- See next page for details.

Water Management-Sill Panning

We require a sill pan for all Ultimate Bi-Fold doors in accordance with ASTM E2112. A sill pan is installed across the bottom of the opening and integrated into the weather-resistive barrier (WRB). The illustration below show the basic requirements. Modification may be needed depending on your Rough Opening and alternative field preparation.

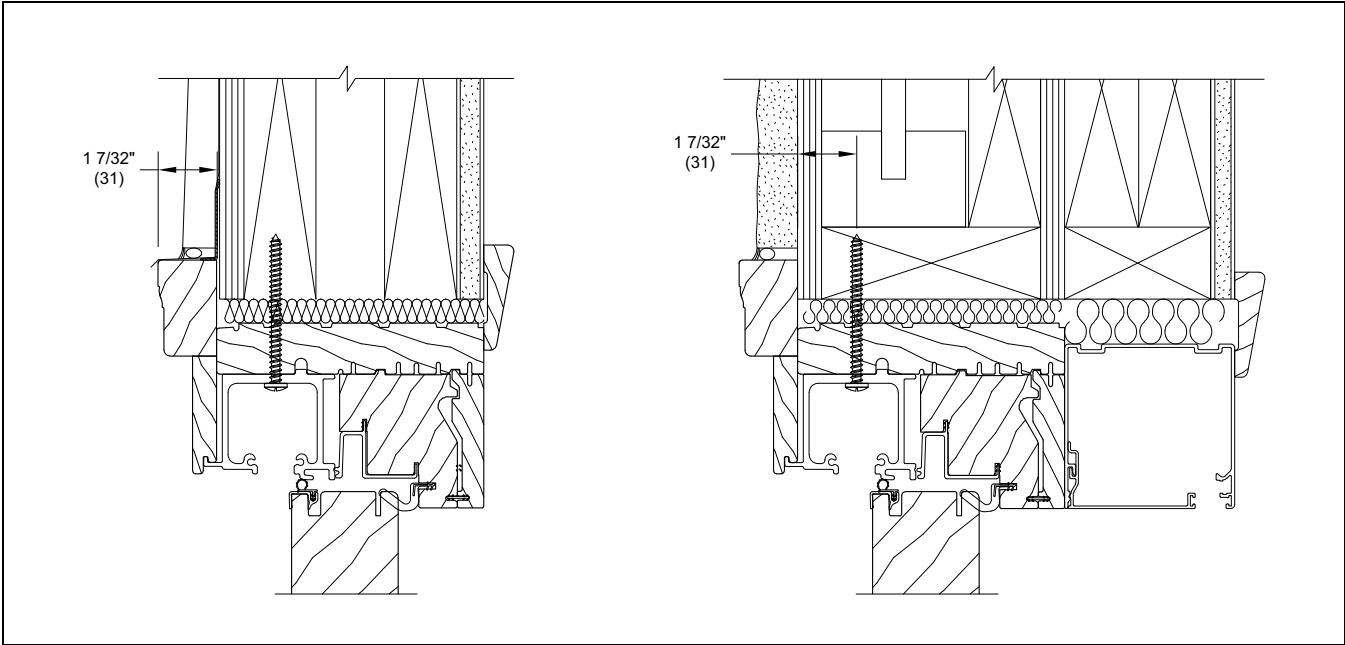
Types of pan flashing material (Based on ASTM 2112-07)		
Rigid Sheet	1 piece or multiple pieces	Type I
Rigid Sheet	Multiple pieces	Type II
Flexible Membrane	1 piece or multiple pieces	Type III
Combination System	Multiple pieces	Type IV
Liquid Membrane	Continuous coating	Type V



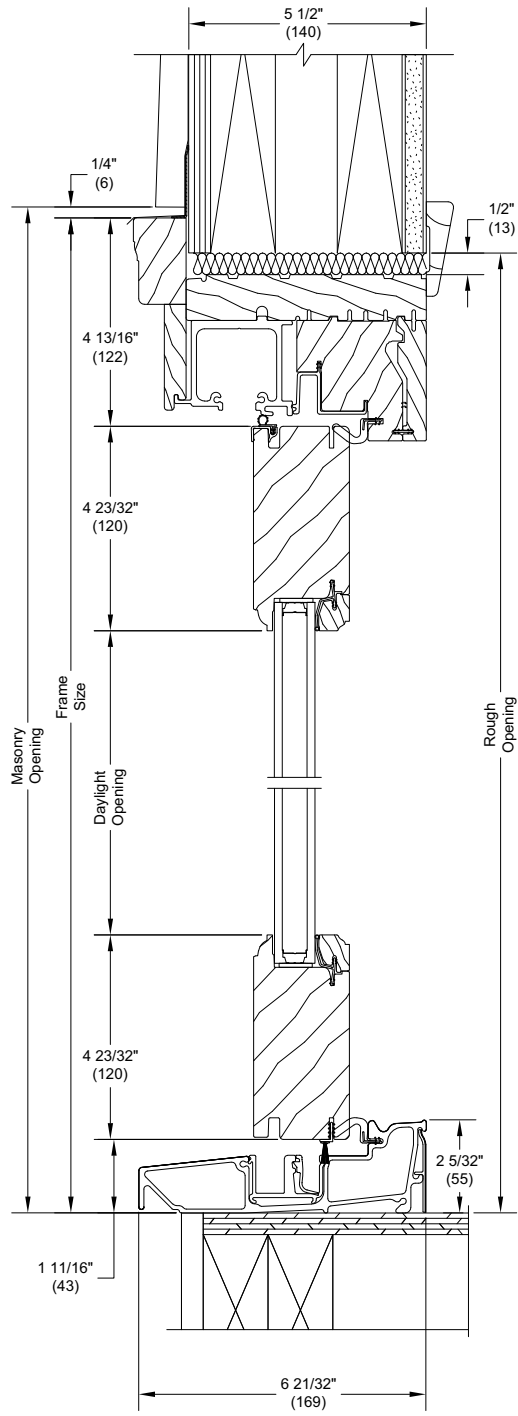
Construction Details

The following details are recommendations with different installation scenarios. Changes may need to be made to accommodate other specific needs.

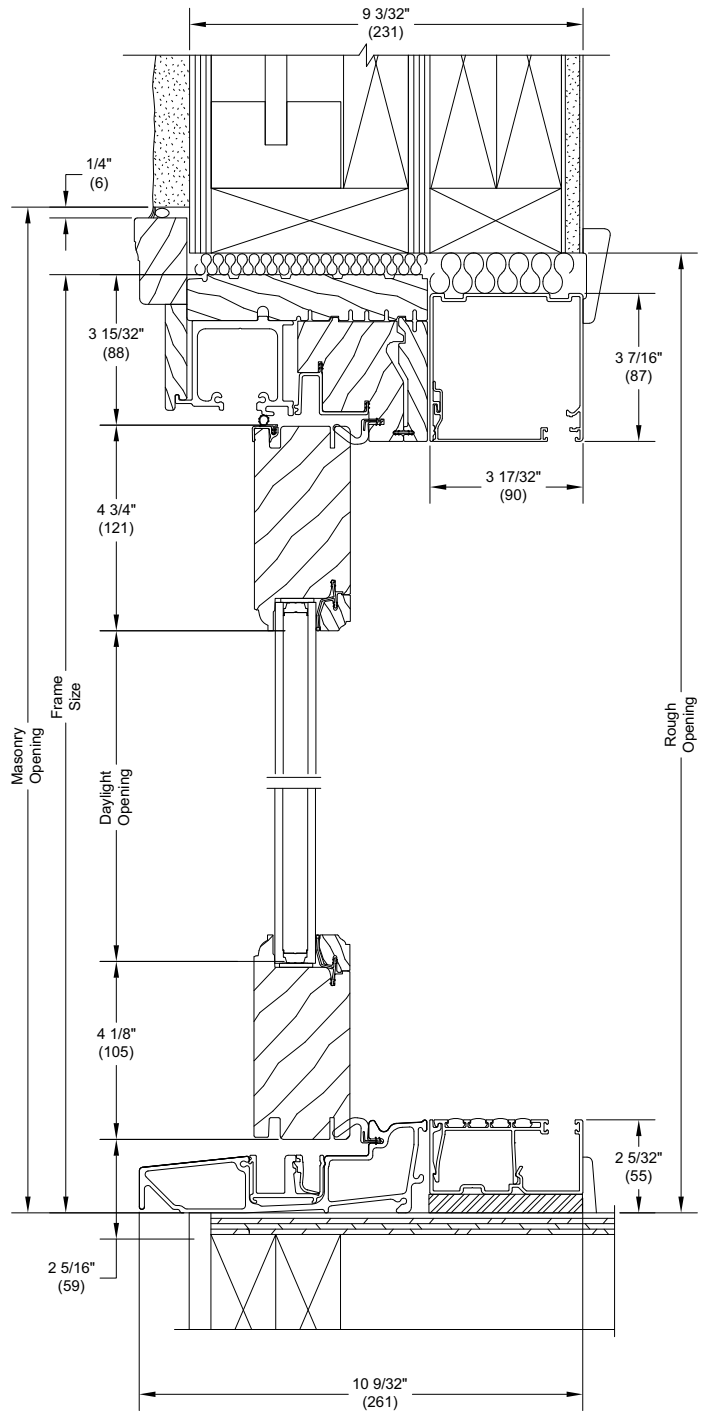
Head Jamb/Header



Performance Sill



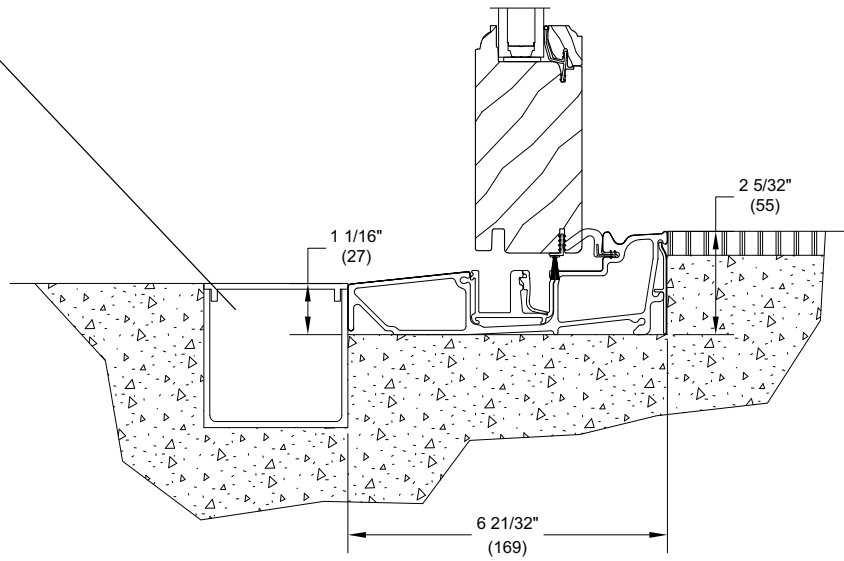
Head Jamb and Sill



Head Jamb and Sill
With Screen

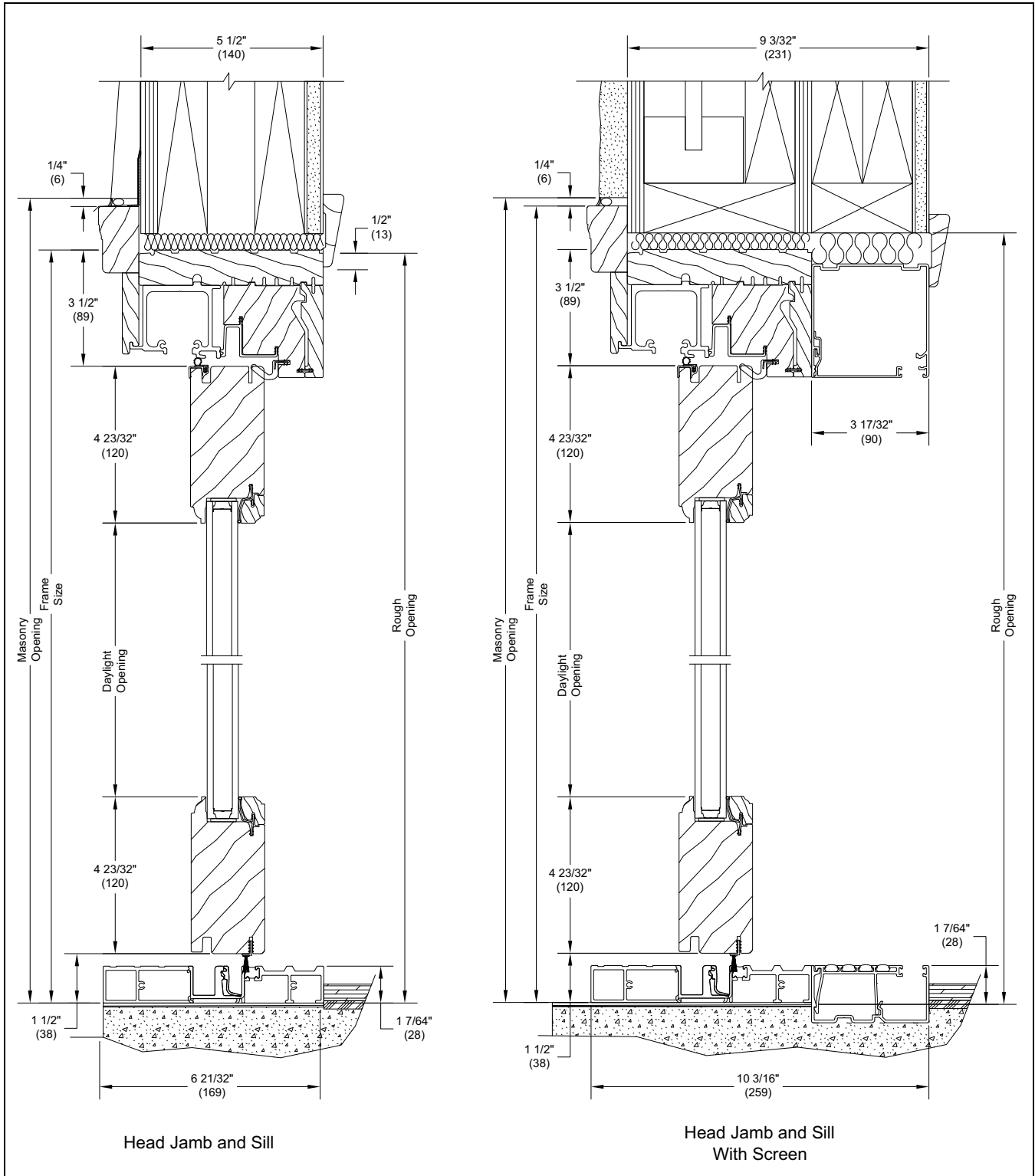
Performance Sill

Performance Sill- Drainage Channel

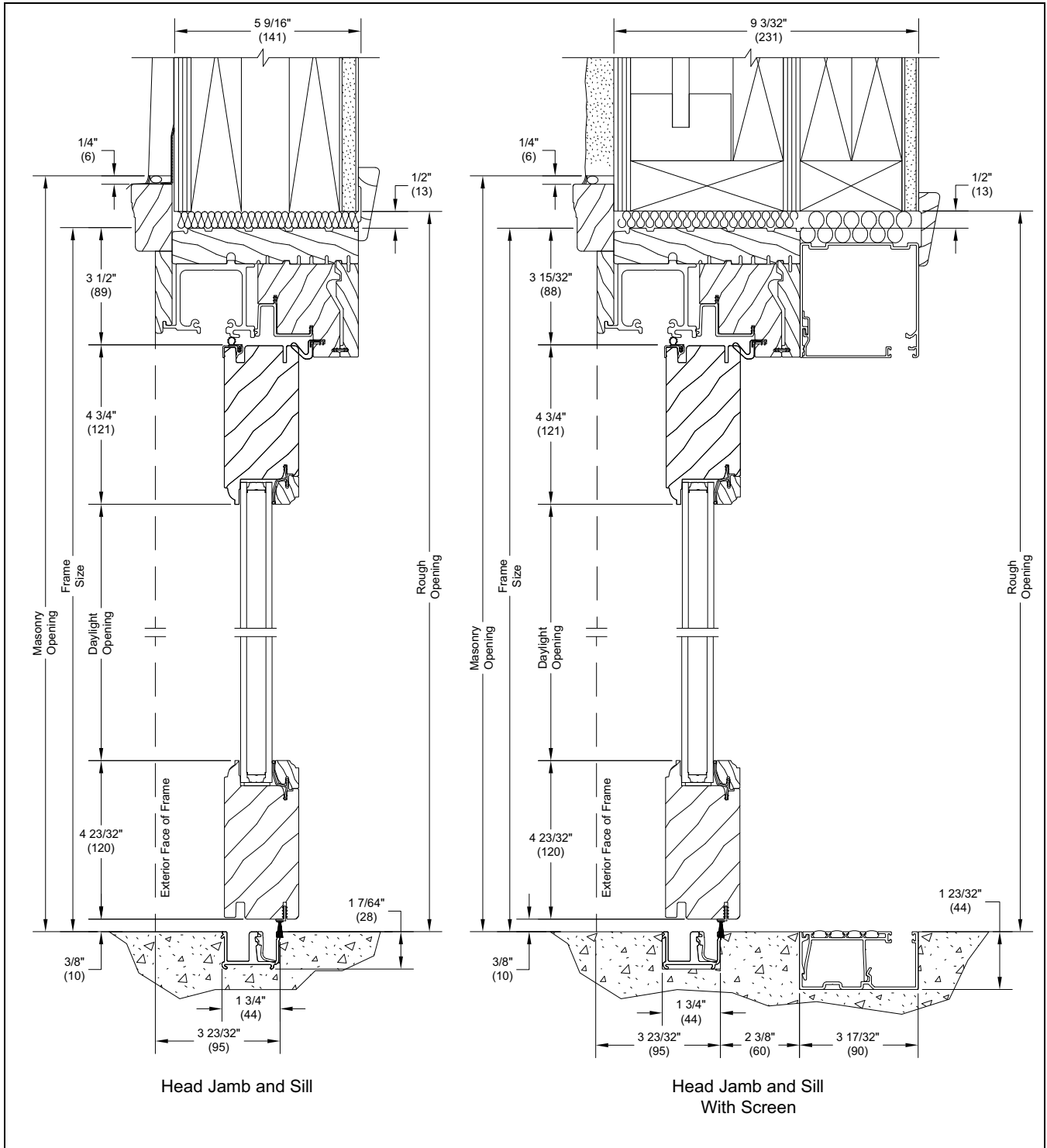


Note: Marvin does not provide drainage channel. Channel must be modified to allow the water to weep out at each corner of the door frame.

Low Profile Sill



Floor Channel



Horizontal

