

Ultimate Door Transom

Supplemental Installation Instruction

ABSTRACT: Use this instruction in conjunction with the full installation instructions sent with your door. This instruction is a supplement to those instructions. After your door transom is set into the rough opening use the following steps to permanently secure the door.

This instruction applies to the following:

- Ultimate Inswing Door Transom
- Ultimate Inswing Door Transom IZ3
- Ultimate Inswing French Door Transom G2
- Ultimate Inswing French Door Transom IZ3 G2
- Ultimate Outswing Door Transom
- Ultimate Outswing Door Transom IZ3
- Ultimate Outswing French Door Transom G2
- Ultimate Outswing French Door Transom IZ3 G2
- Ultimate Sliding Door Transom
- Ultimate Sliding French Door Transom G2

Permanently Securing the Transom

WARNING!

Always practice safety! Wear the appropriate eye, ear, and hand protection, especially when working with power tools.

IMPORTANT

IZ3 units require jamb screws or structural bracket installation methods

1. For Cover Removal: Please refer to the [Ultimate Inswing Installation Instructions 19916297](#) or the [Ultimate Outswing Installation Instructions 19916298](#).

2. Clad Transom In Sash Installation and Clad Transom Direct Glaze: Once the unit has been properly shimmed, plumbed, and squared, fasten the transom to the wood buck/rough opening through the nailing fin with 2" roofing nails. Nail spacing is 8" max between the nails and 4" max from the corners. Fasten around the entire perimeter.

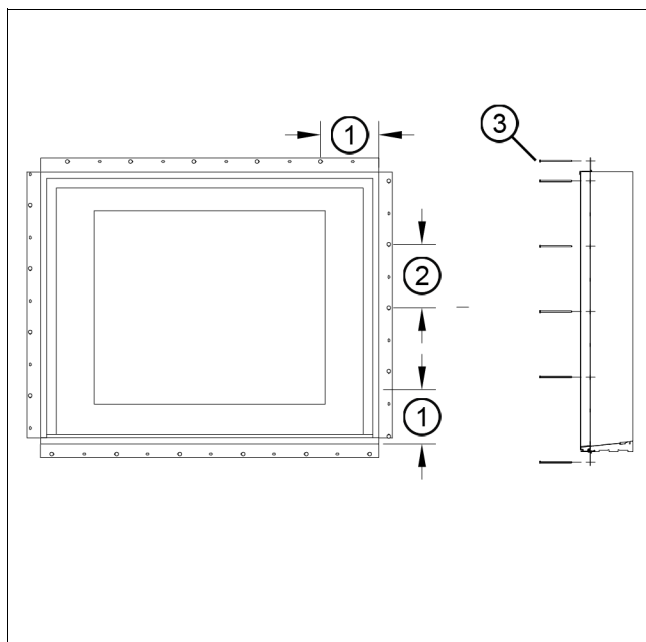


Figure 1

1	4"
2	8"
3	2" roofing nails