

Traditional and Contemporary Screen Handle Installation Instruction

This instruction is for installing a Traditional or Contemporary Handle on a screen.

Handle Installation

1. Assemble the outside handle, handle spindle, and inside handle as shown. Ensure the correct handle spindle is used to properly engage both the inside and outside handle mechanism. See [Figure 1](#).

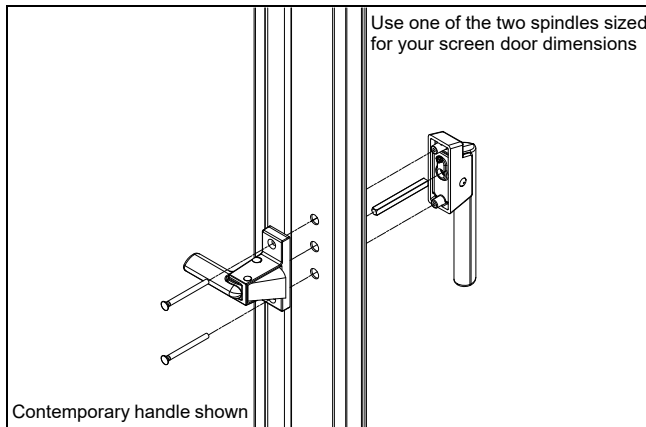


Figure 1

2. Tighten the handle assembly with the provided handle screws. See [Figure 2](#).

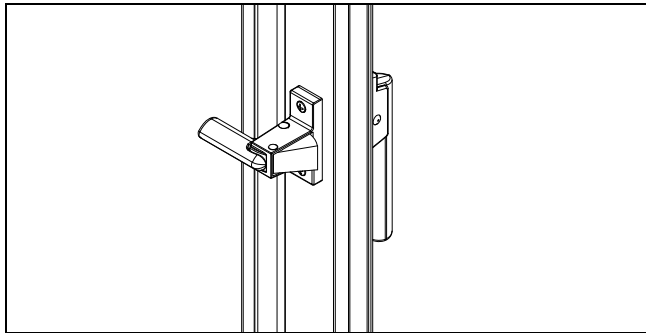


Figure 2

Latch Strike Installation

1. With the handle installed, close the screen door to determine the vertical position of the latch strike. Center the latch strike on the inside handle catch and mark the position for the screw holes. See [Figure 3](#).

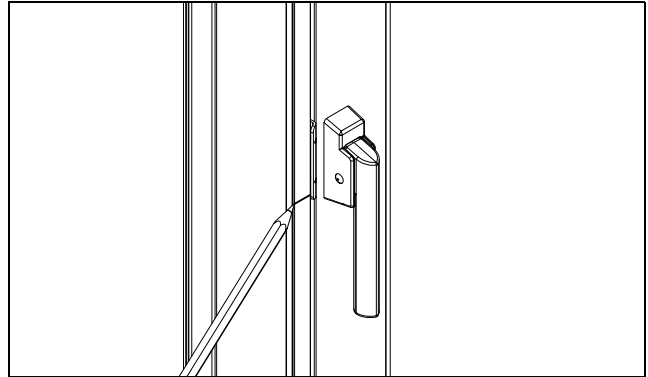


Figure 3

2. Drill pilot holes for strike screws in the entry door jamb or passive screen astragal as shown and attach the strike. See [Figure 4](#).

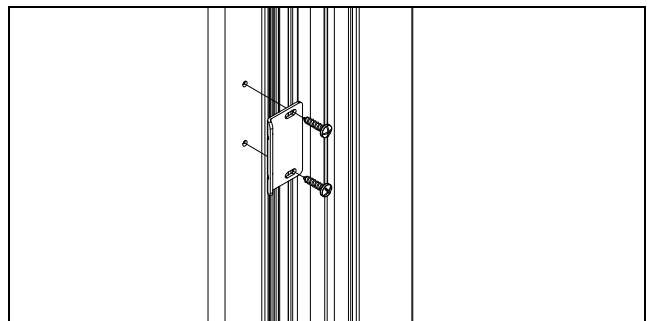


Figure 4

3. Adjust strike as necessary to assure tight latching of the active screen door panel. See [Figure 5](#).

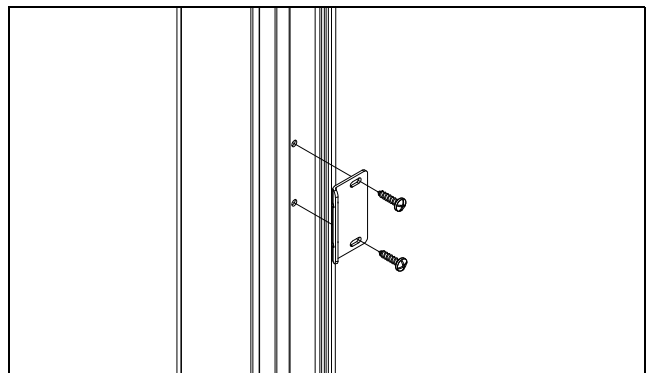


Figure 5