

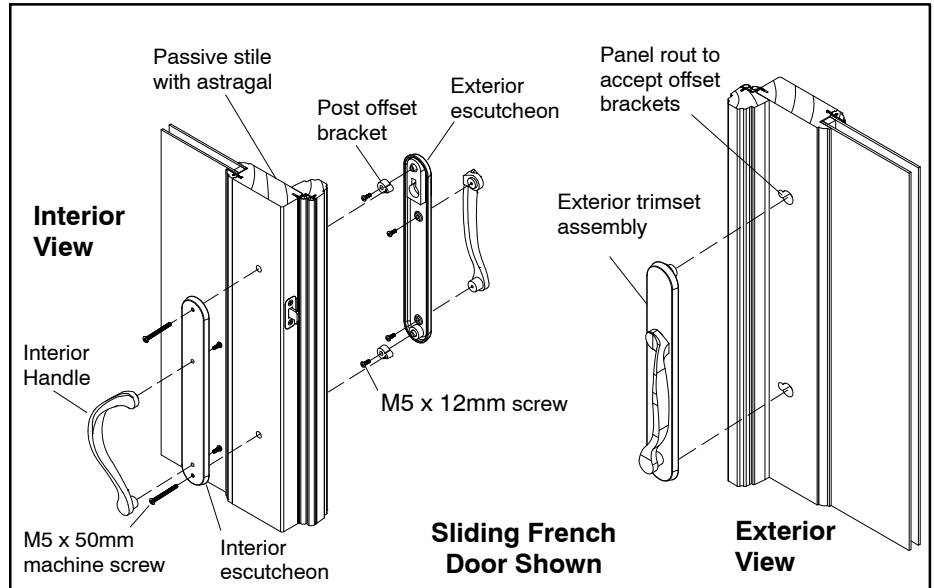
Parts included:

Interior escutcheon plate
 Exterior escutcheon plate with gaskets
 Interior handle

Exterior handle
 (2) Offset brackets
 (2) M5 x 50mm Phillips head machine screws

(6) M5 x 12mm Phillips head screws

1. Attach exterior handle to the exterior escutcheon with two M5 x 12mm screws and tighten. Attach offset brackets to exterior escutcheon as shown with M5 x 12mm screws and tighten. The smaller side of the bracket should be pointing away from the handle and toward the edge of the door. See illustration.
2. Attach interior handle to the interior escutcheon with two M5 x 12mm screws and tighten. See illustration.
3. Place exterior escutcheon and handle assembly and interior escutcheon and handle assembly on passive panel as shown in illustration (Note the rout in the passive panel accepts the offset brackets.) Attach assemblies to the panel with the M5 x 50mm screws and tighten with Phillips screwdriver. See illustration.



19970010
 2019-07-29

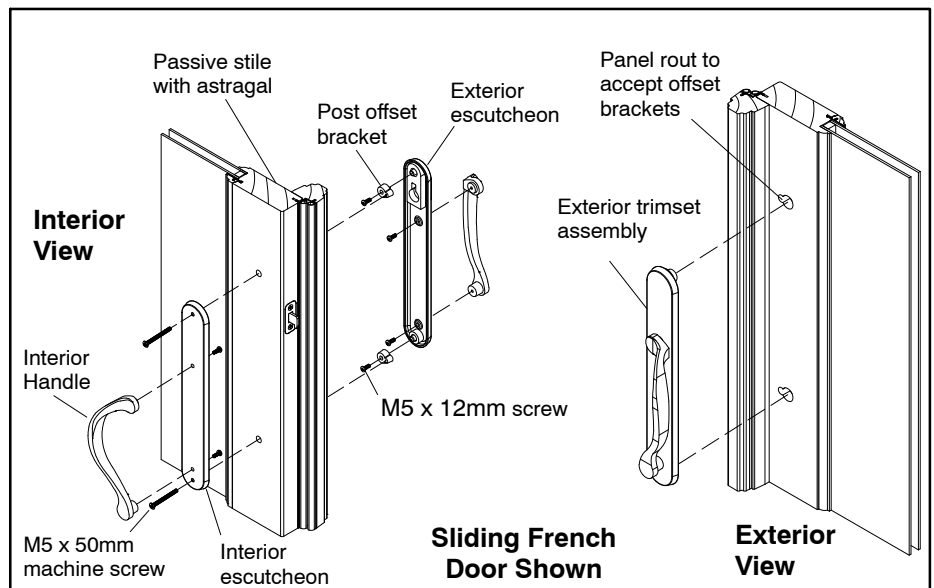
Parts included:

Interior escutcheon plate
 Exterior escutcheon plate with gaskets
 Interior handle

Exterior handle
 (2) Offset brackets
 (2) M5 x 50mm Phillips head machine screws

(6) M5 x 12mm Phillips head screws

1. Attach exterior handle to the exterior escutcheon with two M5 x 12mm screws and tighten. Attach offset brackets to exterior escutcheon as shown with M5 x 12mm screws and tighten. The smaller side of the bracket should be pointing away from the handle and toward the edge of the door. See illustration.
2. Attach interior handle to the interior escutcheon with two M5 x 12mm screws and tighten. See illustration.
3. Place exterior escutcheon and handle assembly and interior escutcheon and handle assembly on passive panel as shown in illustration (Note the rout in the passive panel accepts the offset brackets.) Attach assemblies to the panel with the M5 x 50mm screws and tighten with Phillips screwdriver. See illustration.



19970010
 2019-07-29