

# Minimalist Door Passive Handle

## Installation Instructions

**ABSTRACT:** This instruction is intended to show installing the Minimalist Door Handle for units produced 06/28/2021 to present

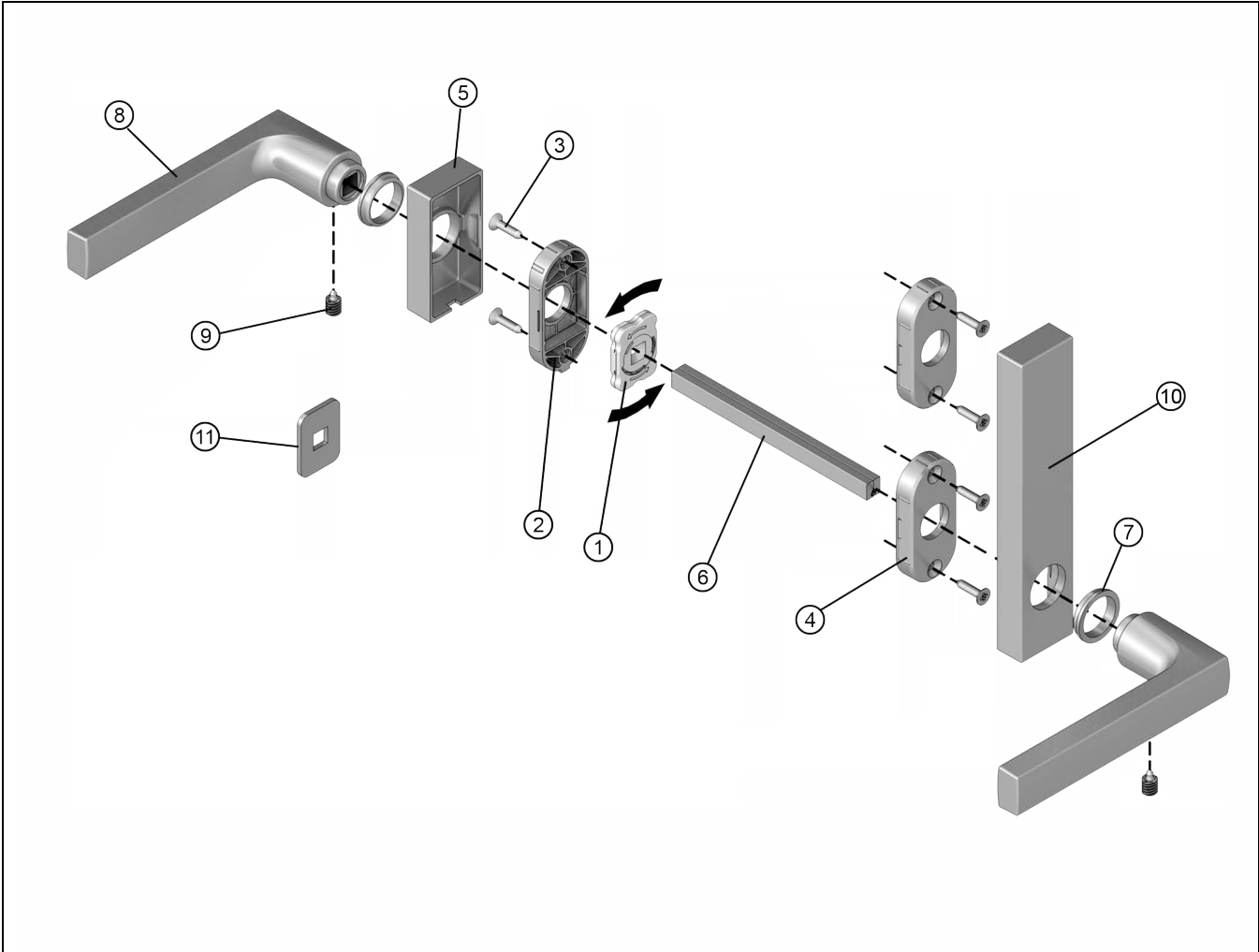


Figure 1

1	Lever assist spring
2	Handle mounting base
3	Sheet metal screws
4	Handle mounting base (with gasket)
5	Interior handle cover
6	Spindle (2 piece)

7	Lever bushing
8	Handle
9	Set screws
10	Exterior covers
11	Fixing plate

## Attaching Passive/Fixed Handle

1. Fit the lever assist spring into the interior handle mounting base. Note the arrows must be oriented in the same direction as your handle will rotate to unlatch the door. For fixed handles, fit the fixing plate to the interior handle mounting base. See Figure 2.

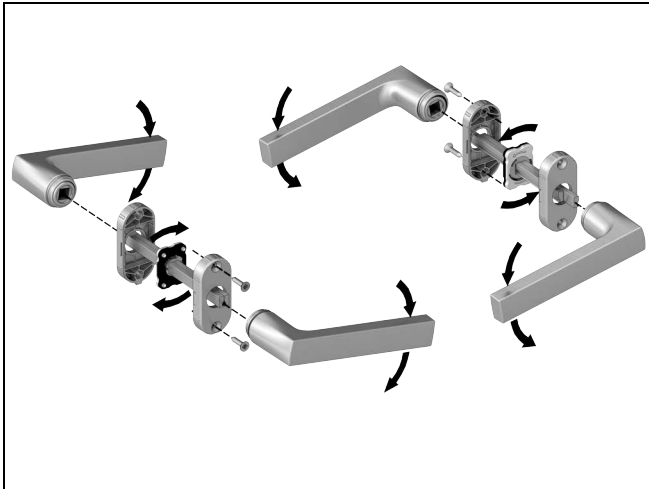


Figure 2

2. Screw the mounting bases to the panel using the short sheet metal screws. Ensure the small plastic tabs are orientated downward. (See inset Figure 1, base is shown from the back side). The mounting bases with gaskets will go on the exterior.

3. Snap the handle covers (oriented with tab pointing down) onto the handle mounting bases.

4. Determine which two spindle halves fit your door – shorter length is for 1 3/4" thick doors, longer is for 2 1/4" doors. Fit the two spindle halves together relative to the handle set screw. (See the inset above)

5. Slide the bushing and interior handle onto the spindle. Insert the spindle into the handle mounting base and through the lever assist spring and lock

6. Slide the lever bushing and exterior handle onto the spindle.

7. Sandwich the two handles until they seat tightly together, then secure the handles to the spindle by installing and tightening the set screws with the small end of the hex wrench until it begins to bend (about 30 in lbs)

8. Operate the multi-point by rotating the handles up and down. Press the safety button during handle rotation.

*NOTE: Check the spring assist in handle to assure that the handle returns to the correct location when activated.*

## ATTENTION

Inactive sets are installed in a similar way as active sets except there will be no lock cylinder and thumb turn.

9. To remove the handle covers: use a small screwdriver to pry the cover off, releasing the cover from the tabs on the base. See Figure 3. Use a wooden dowel or other non marking tool to gain more leverage.

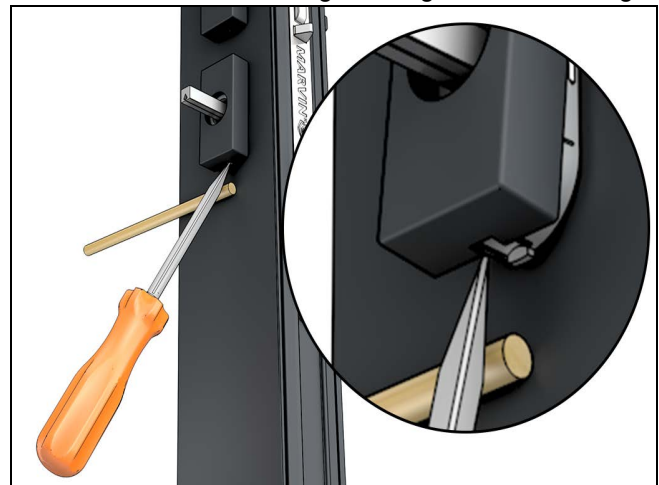


Figure 3