



Ultimate Wood Casement Narrow Frame Part IDs

Replacement parts are available in the Ultimate and
Ultimate Wood Casement Collection

Part Identification

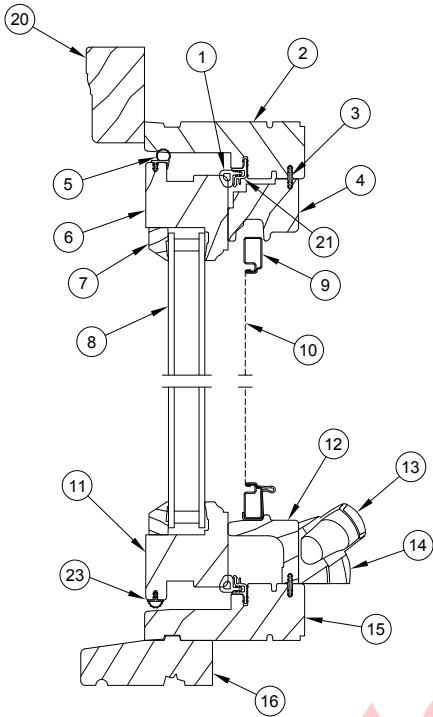
Specifications and technical data are subject
to change without notice.

Illustrations are not to scale.

Contents

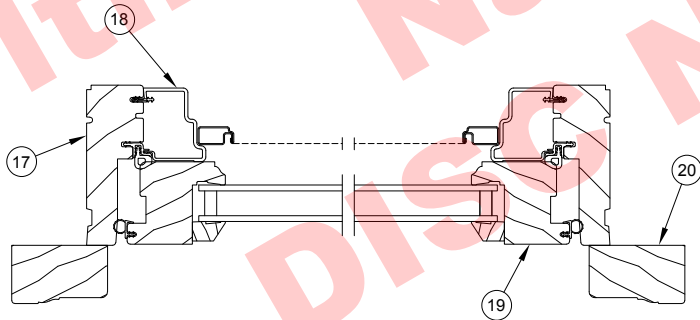
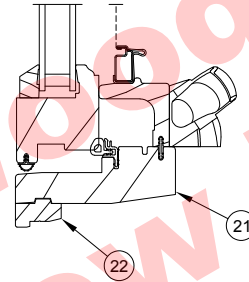
Product History	2
Ultimate Wood Casement/Awning Narrow Frame	3
Ultimate Wood Casement/Awning Narrow Frame Picture.....	4
Ultimate Wood Casement/Awning Narrow Frame Push Out.....	5
Ultimate Wood Casement/Awn Narrow Frame Push Out Picture	6
Ultimate Wood Casement Narrow Frame Operator Round Top.....	7
Ultimate Wood Casement Narrow Frame Stationary Round Top.....	8
Ultimate Wood Casement Narrow Frame Operator Polygon.....	9
Ultimate Wood Casement Narrow Frame Stationary Polygon.....	10

Produced	Unit Type	Features and Changes
2009	Ultimate Wood Casement Narrow Frame Push Out	1/26/2009: Introduced the Ultimate Casement Push Out, Ultimate Awning Push Out, Ultimate Wood Casement Push Out, Ultimate Wood Awning Push Out. Ultimate Wood Casement Narrow Frame Push Out, and Ultimate Wood Casement Narrow Frame Push Out (Product Bulletin 424)
2009	All	1/26/2009: Connecting barb changed from V1700 to V803. V1700 is now obsolete. 3/23/2009 :Added LoE3-366 as a standard option for all products. Added Cedro Macho as a standard option for all Ultimate products.
2010	Ultimate Wood Casement Narrow Frame, Ultimate Wood Awning Narrow Frame, Ultimate Wood Casement Narrow Frame Push Out, Ultimate Wood Awning Narrow Frame Push Out	1/18/2010: Introduced the Retractable Screen. (Product Bulletin 450) 3/4/2010: The Ultimate and Ultimate Wood French Casement Push Out and the Ultimate French Casement Narrow Frame Push Out is available.(Product Bulletin 459.) 6/28/2010: Added the Retractable Screen option to the Push Out.(Product Bulletin 471) 8/30/2010: Introduced the Ultimate Wood Narrow Frame Casement and Awning, and the Ultimate Wood Narrow Frame Push Out Casement and Awning. (Product Bulletin 473)
2011	All	04/25/2011: Added LoE-180 as a standard option for all products. White painted interior finish option introduced for all products.
2012	Ultimate Wood Casement Narrow Frame Round, Ultimate Wood Casement Narrow Frame Operator Polygon, Ultimate Wood Operator Polygon. (Product Bulletin 524)	12/17/2012: Introduced the Ultimate and Ultimate Wood Casement Narrow Frame Round Top, Ultimate and Ultimate Wood Casement Narrow Frame Operator Polygon, and the Ultimate and Ultimate Wood Operator Polygon. (Product Bulletin 524)
2012	All	12/17/2012: Introduced clear interior finish option on all products.(Product Bulletin 523).
2013	All	04/29/2013: Introduced interior stain options. Stain colors are Wheat, Honey, Leather, Hazelnut, Cabernet and Espresso.
2013	Ultimate Wood Casement Narrow Frame, Ultimate Wood Awning Narrow Frame	12/16/2013: Interior Shades option introduced. (Product Bulletin 542)
2015	All Ultimate Wood Casement and Ultimate Wood Awning products	06/29/2015: Introduced a new bottom sash weather strip, V2512, for all Wood Ultimate Casement/Awning products. (Customer Service Bulletin 163)
2016	All	10/31/2016: Obsolescence of the wood species Cedro Macho for all products.
2020	Ultimate Wood Casement Narrow Frame	04/27/2020:Added WOCD field applied and replacement kits.
2021	Ultimate Wood Casement Narrow Frame	08/30/2021: Ultimate Wood Casement Narrow Frame portfolio of products have moved to DISC NA 8/30/21 (No Longer Available) status. All replacement parts are still available. See Product Bulletin 790 for more information. 10/25/2021: The standard screen mesh changed from Charcoal Fiberglass Mesh to Marvin Bright View, previously knows as Charcoal Hi-Transparency Mesh. See Product Bulletin 793 for more information.



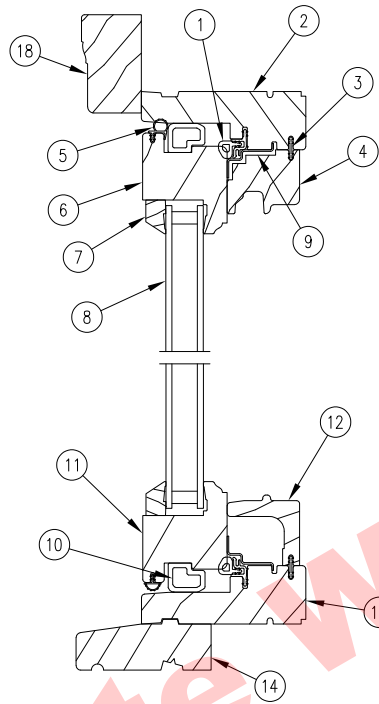
Head Jamb and Sill

14 Degree Sloped Sill Option



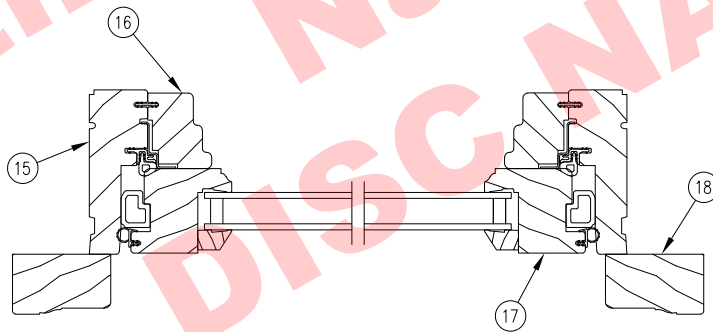
Jamb

1. Frame Weather Strip, V1983
2. Head Jamb
3. Connecting Barb, V803
4. Head Jamb Stop, W9787
5. Sash Weather Strip, V1655
6. Top Rail
7. Glazing Bead, W10384
8. Insulating Glass
9. Screen Frame
10. Screen Mesh
11. Bottom Rail
12. Hardware Cover, W9788
13. Folding Crank Handle
14. Folding Crank Cover
15. Sill
16. Subsill, W10333
17. Jamb
18. Jamb Stop, V1666
19. Stile
20. Brick Mould Casing, W1047
21. 14 Degree Sloped Sill Option
22. Sill Riser, W11076
23. Sash Weather Strip, V2512

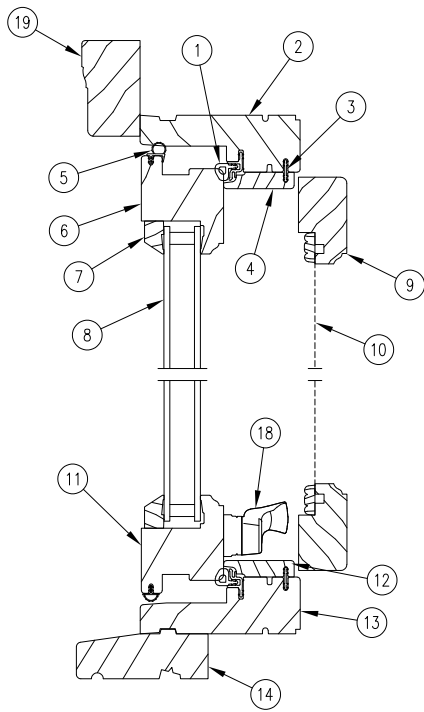


Head Jamb and Sill

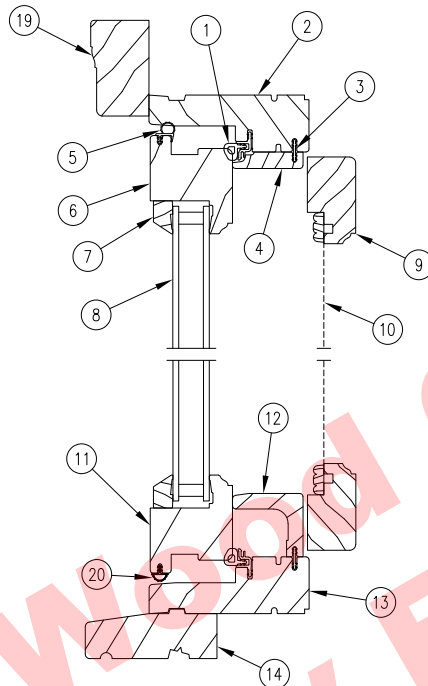
1. Frame Weather Strip, V1983
2. Head Jamb
3. Connecting Barb, V803
4. Head Jamb Stop, W9787
5. Sash Weather Strip, V1655
6. Top Rail
7. Glazing Bead, W10384
8. Insulating Glass
9. Stationary Bracket
10. Stationary Sash Block, V1613
11. Bottom Rail
12. Sill Cover, W9788
13. Sill
14. Subsill, W10333
15. Jamb
16. Jamb Stop, W9790
17. Stile
18. Brick Mould Casing, W1047
19. Bottom Rail Weatherstrip, V2512



Jamb



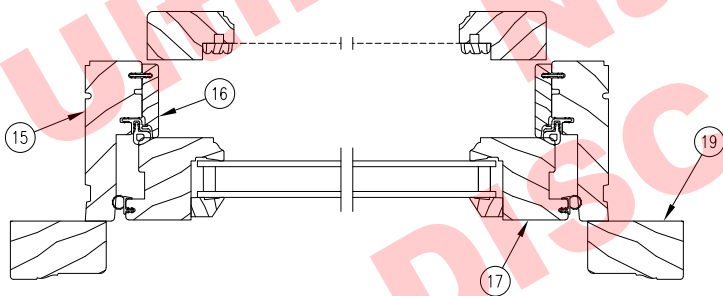
Awning



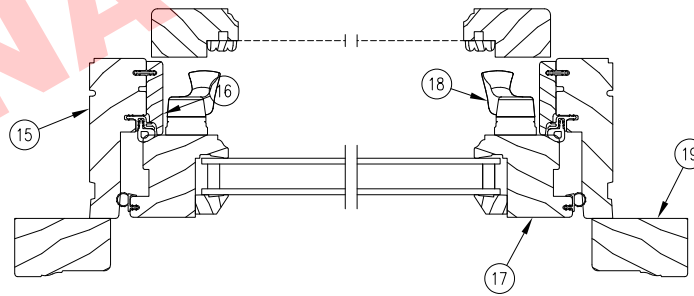
Casement

Head Jamb and Sill

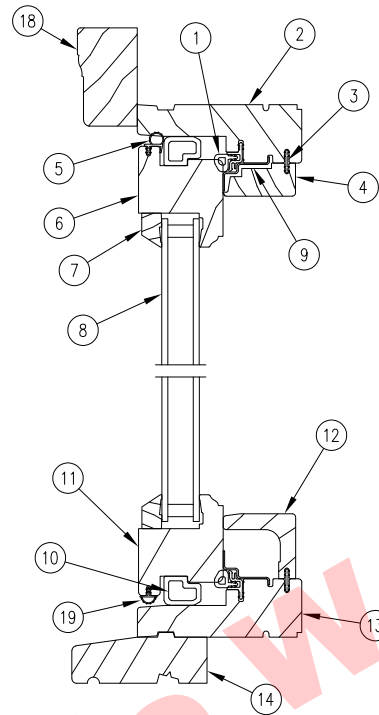
1. Frame Weather Strip, V1983
2. Head Jamb
3. Connecting Barb, V803
4. Head Jamb Stop, W10231
5. Sash Weather Strip, V1655
6. Top Rail
7. Glazing Bead, W10384
8. Insulating Glass
9. Screen Frame
10. Screen Mesh
11. Bottom Rail
12. Sill Cover, W10329 (CA), W10231 (AWN)
13. Sill
14. Subsill, W10333
15. Jamb
16. Jamb Stop, W10230
17. Stile
18. Handle
19. Brick Mould Casing, W0147
20. Sash Weather Strip, V2512



Jamb (Awning shown)

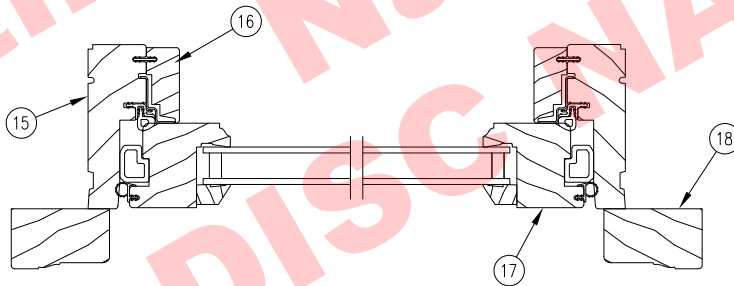


Jamb (Casement shown)

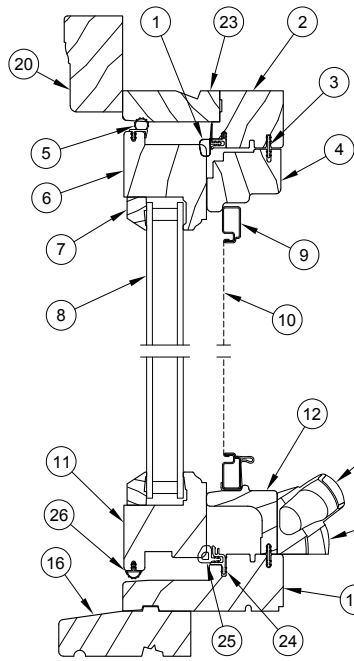


Head Jamb and Sill (Casement Shown)

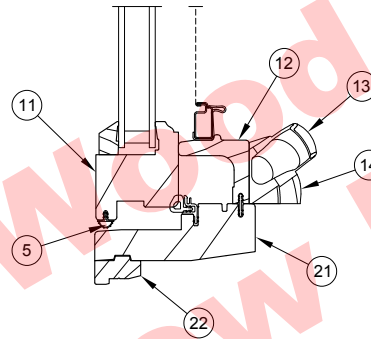
1. Frame Weather Strip, V1983
2. Head Jamb
3. Connecting Barb, V803
4. Head Jamb Stop, W11312
5. Sash Weather Strip, V1655
6. Top Rail
7. Glazing Bead, W10384
8. Insulating Glass
9. Stationary Bracket, V1613
10. Stationary Sash
11. Bottom Rail
12. Sill Cover, W10329
13. Sill
14. Subsill, W10333
15. Jamb
16. Jamb Stop, W11311
17. Stile
18. Brick Mould Casing, W1047
19. Sash Weather Strip, V2512



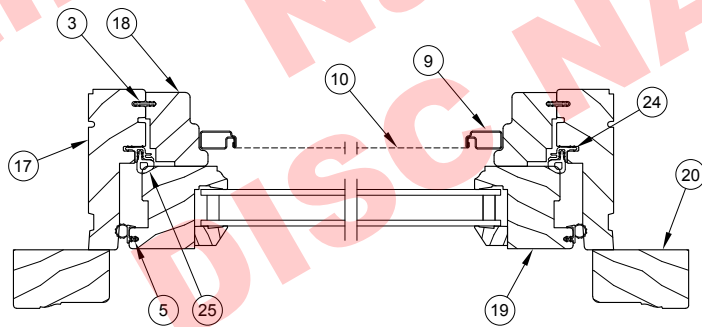
Jamb (Casement shown)



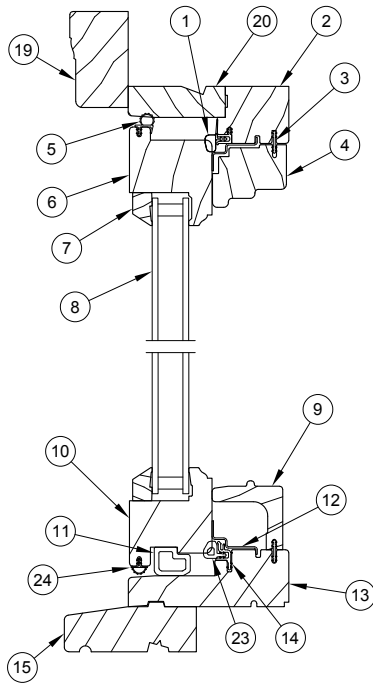
Head Jamb and Sill



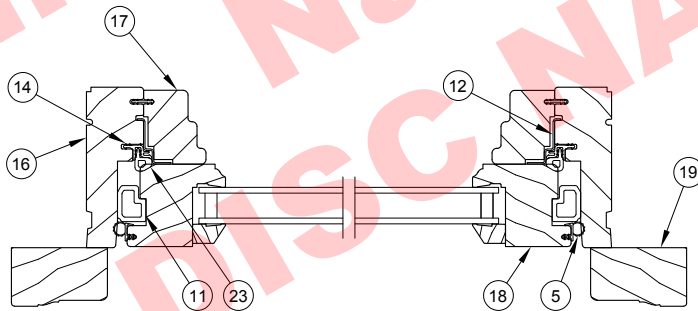
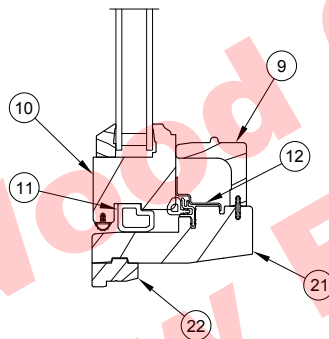
Jamb



1. Head Jamb Weather Strip, V1725
2. Head Jamb, Interior Component
3. Connecting Barb, V803
4. Head Jamb Stop, W9767
5. Sash Weather Strip, V1655
6. Top Rail
7. Glazing Bead, W10384
8. Insulating Glass
9. Screen Frame
10. Screen Mesh
11. Bottom Rail
12. Sill Cover, W10430
13. Folding Crank Handle
14. Folding Crank Handle Cover
15. Sill
16. Subsill, W10333
17. Jamb
18. Jamb Stop, V1666
19. Stile
20. Brick Mould Casing, W1047
21. 14 Degree Sloped Sill Option
22. Sill Riser, W11076
23. Head Jamb, Exterior Component
24. Weather Strip Carrier
25. Frame Weatherstrip, V1983
26. Sash Weather Strip, V2512

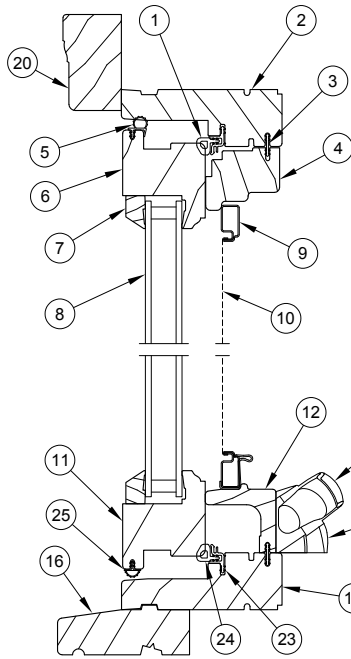


Head Jamb and Sill

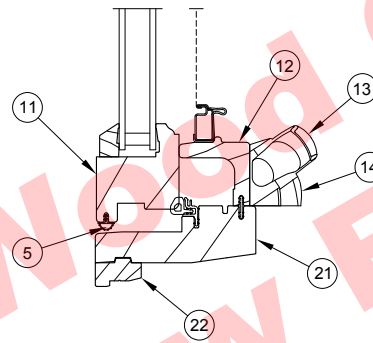


Jamb

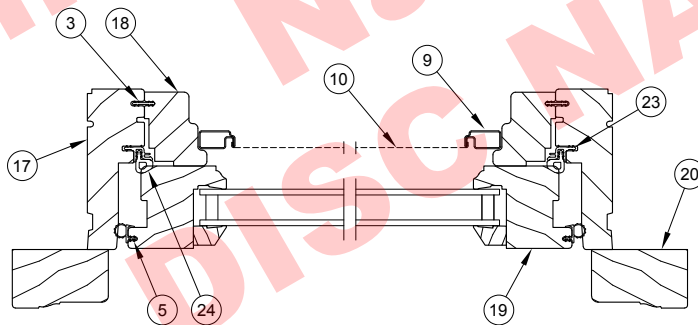
1. Head Jamb Weather Strip, V1725
2. Head Jamb, Interior Component
3. Connecting Barb, V803
4. Head Jamb Stop, W9767
5. Sash Weather Strip, V1655
6. Top Rail
7. Glazing Bead, W10384
8. Insulating Glass
9. Sill Cover, W10454
10. Bottom Rail
11. Stationary Sash Block, V1613
12. Stationary Bracket
13. Sill
14. Weather Strip Carrier
15. Subsill, W10333
16. Jamb
17. Jamb Stop, W9790
18. Stile
19. Brick Mould Casing, W1047
20. Head Jamb, Exterior Component
21. 14 Degree Sloped Sill Option
22. Sill Riser, W11076
23. Frame Weatherstrip, V1983
24. Sash Weather Strip, V2512



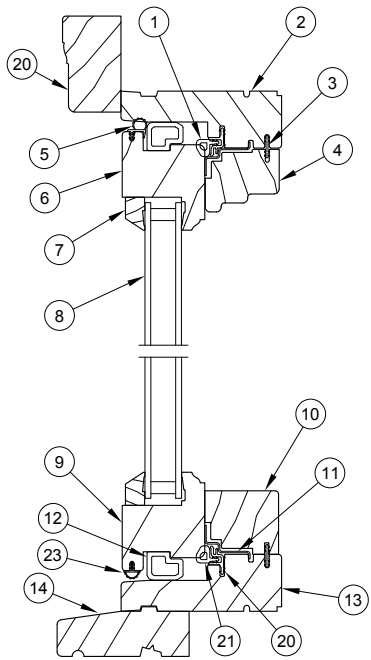
Head Jamb and Sill



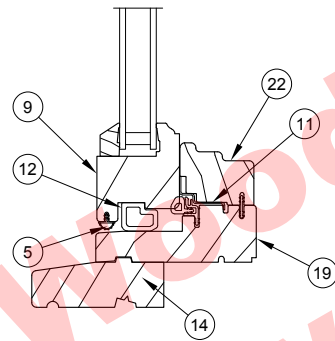
Jamb



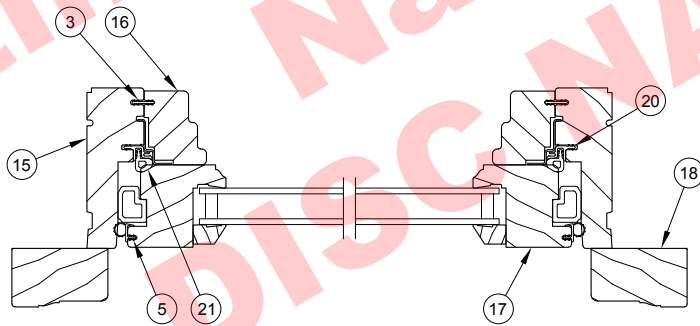
1. Head Jamb Weather Strip, V1983
2. Head Jamb
3. Connecting Barb, V803
4. Head Jamb Stop, W9790
5. Sash Weather Strip, V1655
6. Top Rail
7. Glazing Bead, W10384
8. Insulating Glass
9. Screen Frame
10. Screen Mesh
11. Bottom Rail
12. Sill Cover, W10430
13. Folding Crank Handle
14. Folding Crank Handle Cover
15. Sill
16. Subsill, W10333
17. Jamb
18. Jamb Stop, W9790
19. Stile
20. Brick Mould Casing, W1047
21. 14 Degree Sloped Sill Option
22. Sill Riser, W11076
23. Weather Strip Carrier
24. Frame Weather Strip, V1983
25. Sash Weather Strip, V2512



Head Jamb and Sill



1. Frame Weather Strip, V1983
2. Head Jamb
3. Connecting Barb, V803
4. Head Jamb Stop, W9767
5. Sash Weather Strip, V1655
6. Top Rail
7. Glazing Bead, W10384
8. Insulating Glass
9. Bottom Rail
10. Sill Cover, W10430
11. Sash Bracket
12. Stationary Sash Block, V1613
13. Sill
14. Subsill, W10333
15. Jamb
16. Jamb Stop, W9790
17. Stile
18. Brick Mould Casing, W1047
19. 14 Degree Sloped Sill Option
20. Weather Strip Carrier
21. Frame Weather Strip, V1983
22. Stationary Sill Stop, W9790
23. Sash Weather Strip, V2512



Jamb