



Ultimate Wood Casement Full Frame Part IDs

Replacement parts are available in the Ultimate and
Ultimate Wood Casement Collection

Part Identification

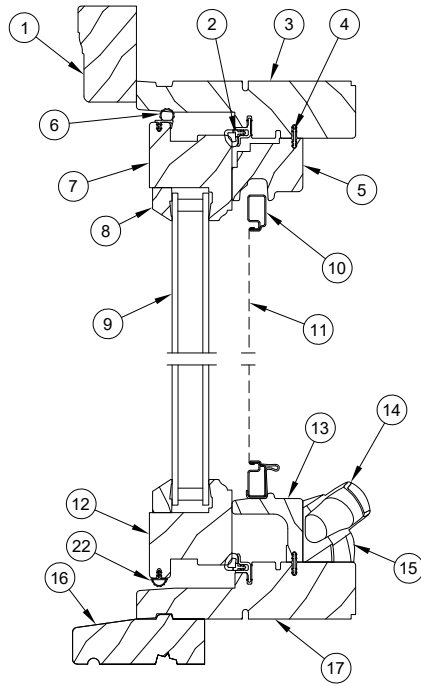
Specifications and technical data are subject
to change without notice.

Illustrations are not to scale.

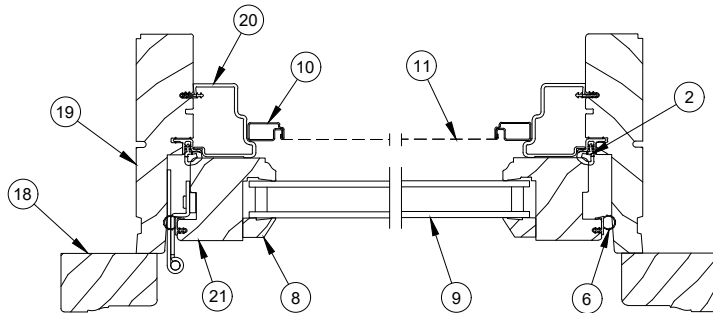
Contents

Product History	2
Ultimate Wood Casement/Awning.....	3
Ultimate Wood Casement/Awning Picture.....	4
Ultimate Wood Casement Push Out.....	5
Ultimate Wood Casement/Awning Push Out Picture.....	6
Ultimate Wood Casement Round Top.....	7
Ultimate Wood Casement Stationary Round Top.....	8
Ultimate Wood Casement Operator Polygon	9
Ultimate Wood Casement Stationary Polygon.....	10
Ultimate Wood French Casement	11
Ultimate Wood French Casement Stationary	12
Ultimate Wood French Casement Push Out.....	13
Ultimate Wood French Casement Push Out Stationary.....	14

Produced	Unit Type	Features and Changes
2009	Ultimate Wood Casement, Ultimate Wood Casement Picture, Ultimate Wood Awning, Ultimate Wood Casement Push Out	01/26/2009: Introduced the Ultimate Wood Casement, Ultimate Wood Awning, Ultimate Casement Push Out, Ultimate Awning Push Out, Ultimate Wood Casement Push Out, Ultimate Wood Awning Push Out. Ultimate Casement Narrow Frame Push Out, and Ultimate Wood Casement Narrow Frame Push Out (Product Bulletin 424) Connecting barb changed from V1700 to V803. V1700 is now obsolete. 03/23/2009 :Added LoE3-366 as a standard option for all products. Added Cedro Macho as a standard option for all Ultimate products.
2010	Ultimate Wood Casement, Ultimate Wood Awning, Ultimate Wood Casement Stationary Polygon, Ultimate Wood French Casement Push Out, Ultimate Wood French Casement, Ultimate Wood Casement Push Out, Ultimate Wood Awning Push Out	01/18/2010: Introduced the Retractable Screen. (Product Bulletin 450) 02/22/2010: Introduced the Ultimate and Ultimate Wood Casement Stationary Polygon. Only stationary units available at this time. (Product Bulletin 454) 03/4/2010: The Ultimate and Ultimate Wood French Casement Push Out and the Ultimate French Casement Narrow Frame Push Out is available.(Product Bulletin 459.) 03/29/2010 Introduced the Ultimate and Ultimate Wood Awning IZ3. (Product Bulletin 461) 06/28/2010: Added the Retractable Screen option to the Push Out.(Product Bulletin 471) Introduced the Ultimate and Ultimate Wood French Casement. (Product Bulletin 470) 08/30/2010: Introduced the Ultimate Wood Narrow Frame Casement and Awning, and the Ultimate Wood Narrow Frame Push Out Casement and Awning. (Product Bulletin 473)
2011	All	04/25/2011: Added LoE-180 as a standard option for all products. White painted interior finish option introduced for all products.
2012	Ultimate Wood Casement Operator Polygon	12/17/2012: Introduced the Ultimate and Ultimate Wood Casement Narrow Frame Round Top, Ultimate and Ultimate Wood Casement Narrow Frame Operator Polygon, and the Ultimate and Ultimate Wood Operator Polygon. (Product Bulletin 524) Introduced clear interior finish option on all products.(Product Bulletin 523).
2013	Ultimate Wood Casement Ultimate Wood Awning	04/29/2013: Introduced interior stain options. Stain colors are Wheat, Honey, Leather, Hazelnut, Cabernet and Espresso. Interior Shades option introduced. (Product Bulletin 542)
2015	Ultimate Wood Casement Ultimate Wood Awning	06/29/2015: Introduced a new bottom sash weather strip, V2512, for all Wood Ultimate Casement/Awning products. (Customer Service Bulletin 163)
2016	All	10/31/2016: Obsolescence of the wood species Cedro Macho for all products.
2021	All Ultimate Wood Casement	10/25/2021: The standard screen mesh changed from Charcoal Fiberglass Mesh to Marvin Bright View™, previously known as Charcoal Hi-Transparency Mesh. See Product Bulletin 793 for more information.

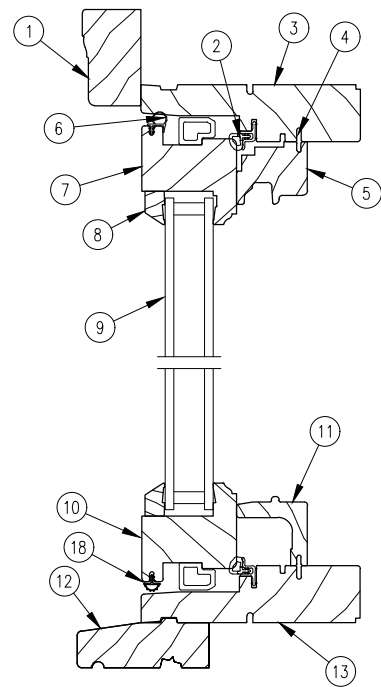


Head Jamb and Sill



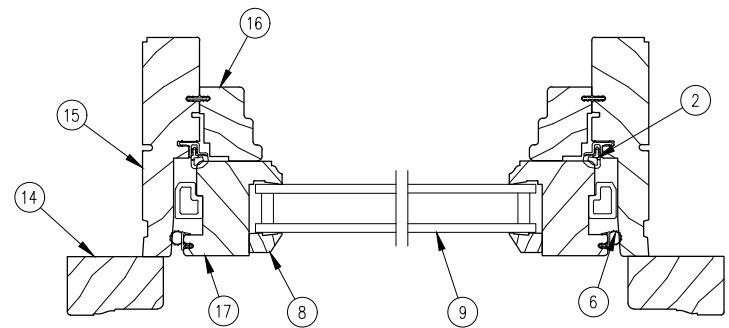
Jamb

1. Head Jamb Brick Mould Casing, W1047
2. Frame Weather Strip, V1983
3. Head Jamb
4. Connecting Barb, V803
5. Head Jamb Stop, W9787
6. Sash Weather Strip, V1655
7. Top Rail
8. Glazing Bead, W10384
9. Insulating Glass
10. Screen Frame
11. Screen Mesh
12. Bottom Rail
13. Hardware Cover, W9788
14. Folding Crank Handle
15. Folding Crank Cover
16. Subsill, W10333
17. Sill
18. Jamb Brick Mould Casing, W1047
19. Jamb
20. Jamb Stop, V1666
21. Stile
22. Sash Weather Strip, V2512



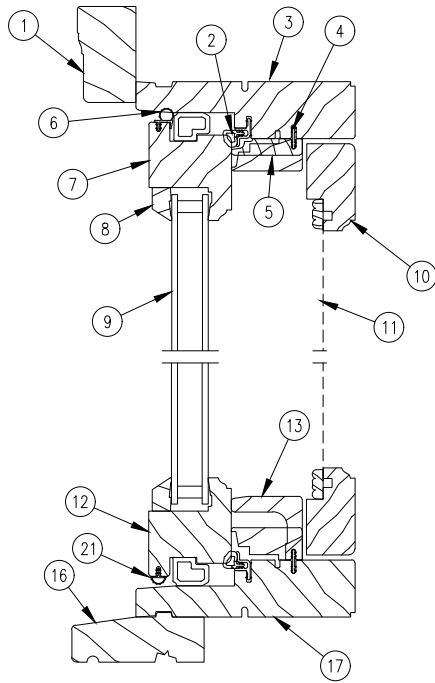
Head Jamb and Sill

1. Head Jamb Brick Mould Casing, W1047
2. Frame Weather Strip, V1983
3. Head Jamb
4. Connecting Barb, V803
5. Head Jamb Stop, W9787
6. Sash Weather Strip, V1655
7. Top Rail
8. Glazing Bead, W10384
9. Insulating Glass
10. Bottom Rail
11. Hardware Cover, W9788

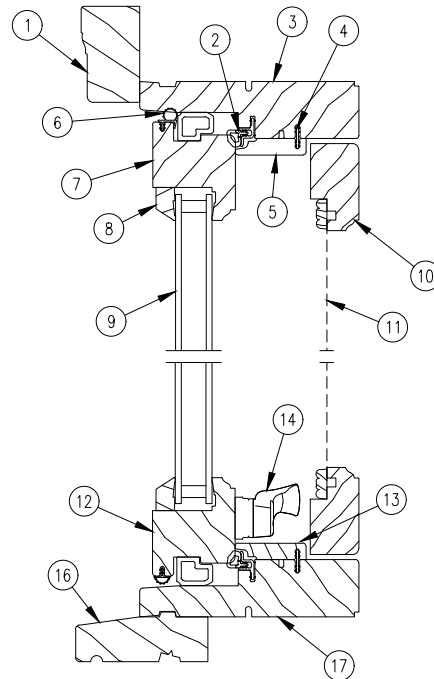


Jamb

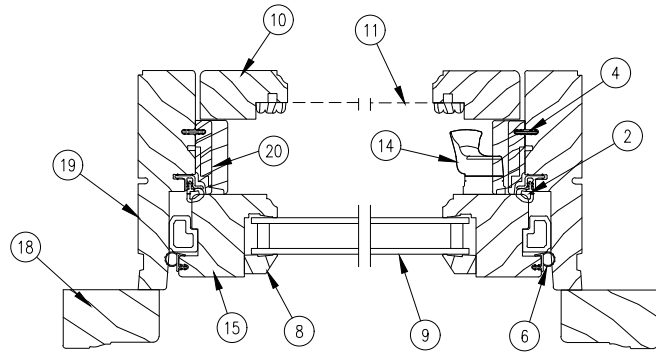
12. Subsill, W10333
13. Sill
14. Jamb Brick Mould Casing, W1047
15. Jamb
16. Jamb Stop, W9790
17. Stile
18. Sash Weather Strip, V2512



Head Jamb and Sill (Casement)

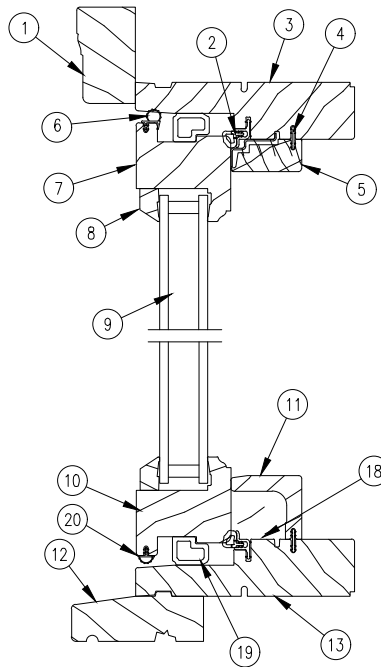


Head Jamb and Sill (Awning)



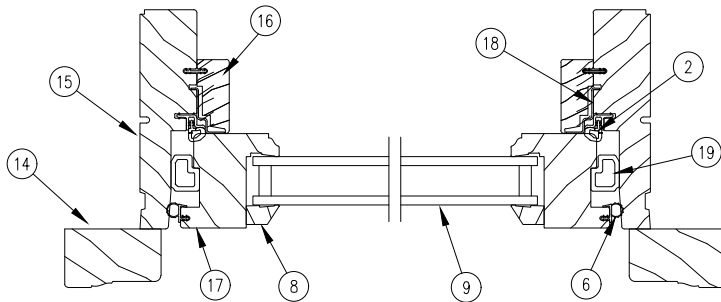
Jamb (Casement)

1. Head Jamb Brick Mould Casing, W1047
2. Frame Weather Strip, V1983
3. Head Jamb
4. Connecting Barb, V803
5. Head Jamb Stop, W10231
6. Sash Weather Strip, V1655
7. Top Rail
8. Glazing Bead, W10384
9. Insulating Glass
10. Screen Frame
11. Screen Mesh
12. Bottom Rail
13. Sill Cover, W10329 (CA), W10231 (AWN)
14. Handle
15. Stile
16. Subsill, W10333
17. Sill
18. Jamb Brick Mould Casing, W1047
19. Jamb
20. Jamb Stop, W10230
21. Sash Weather Strip, V2512

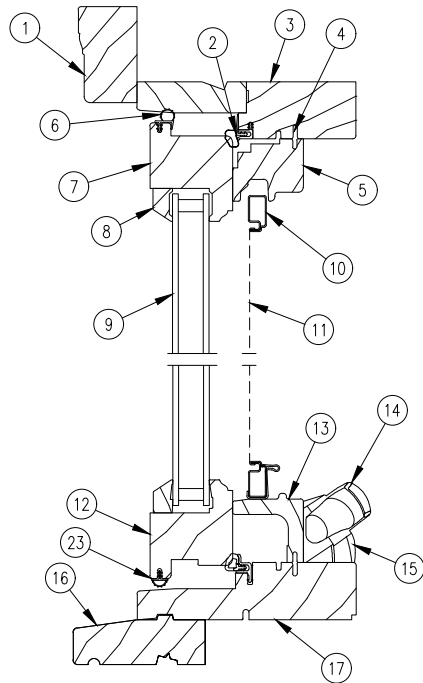


Head Jamb and Sill (Casement)

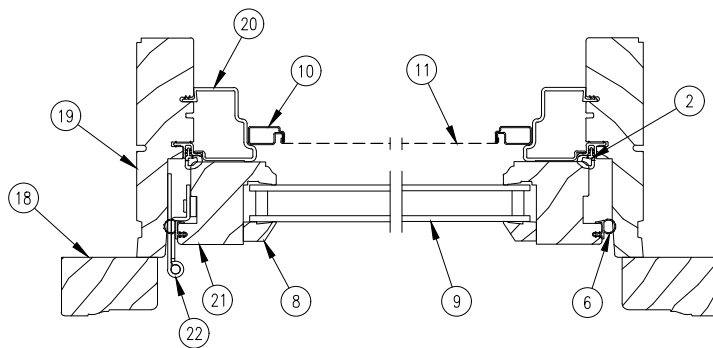
1. Head Jamb Brick Mould Casing, W1047
2. Frame Weather Strip, V1983
3. Head Jamb
4. Connecting Barb, V803
5. Head Jamb Stop, W11312
6. Sash Weather Strip, V1655
7. Top Rail
8. Glazing Bead, W10384
9. Insulating Glass
10. Bottom Rail
11. Sill Cover, W10329
12. Subsill, W10333
13. Sill
14. Jamb Brick Mould Casing, W1047
15. Jamb
16. Jamb Stop, W11311
17. Stile
18. Stationary Bracket
19. Stationary Sash Block, V1613
20. Sash Weather Strip, V2512



Jamb

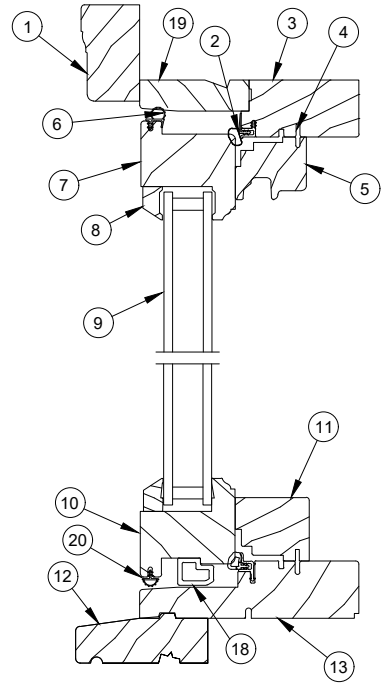


Head Jamb and Sill



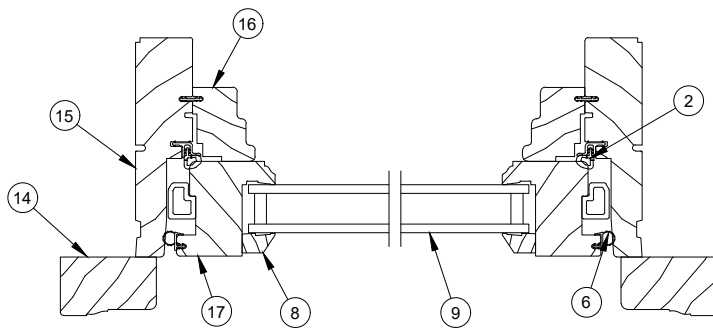
Jamb

1. Head Jamb Brick Mould Casing, W1047
2. Head Jamb Weather Strip, V1725
3. Head Jamb
4. Connecting Barb, V803
5. Head Jamb Stop, W9767
6. Sash Weather Strip, V1655
7. Top Rail
8. Glazing Bead, W10384
9. Insulating Glass
10. Screen Frame
11. Screen Mesh
12. Bottom Rail
13. Sill Cover, W10430
14. Folding Crank Handle
15. Handle Cover
16. Subsill, W10333
17. Sill
18. Jamb Brick Mould Casing, W1047
19. Jamb
20. Jamb Stop, V1666
21. Stile
22. Butt Hinge
23. Sash Weather Strip, V2512

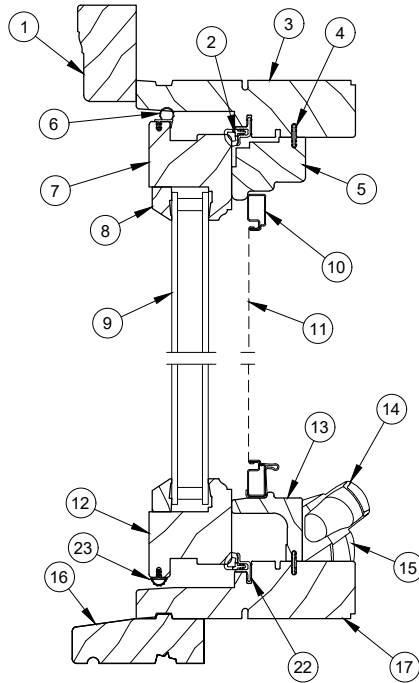


Head Jamb and Sill

1. Head Jamb Brick Mould Casing, W1047
2. Head Jamb Weather Strip, V1725
3. Head Jamb
4. Connecting Barb, V803
5. Head Jamb Stop, W9767
6. Sash Weather Strip, V1655
7. Top Rail
8. Glazing Bead, W10384
9. Insulating Glass
10. Bottom Rail
11. Sill Cover, W10454
12. Subsill, W10333
13. Sill
14. Jamb Brick Mould Casing, W1047
15. Jamb
16. Jamb Stop, W9790
17. Stile
18. Stationary Sash Block, V1613
19. Head Jamb Exterior Component
20. Sash Weather Strip, V2512

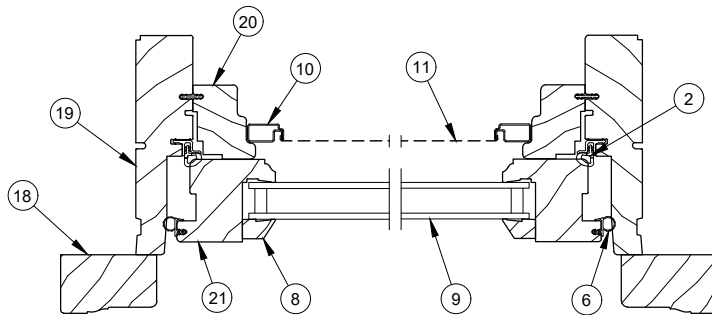


Jamb

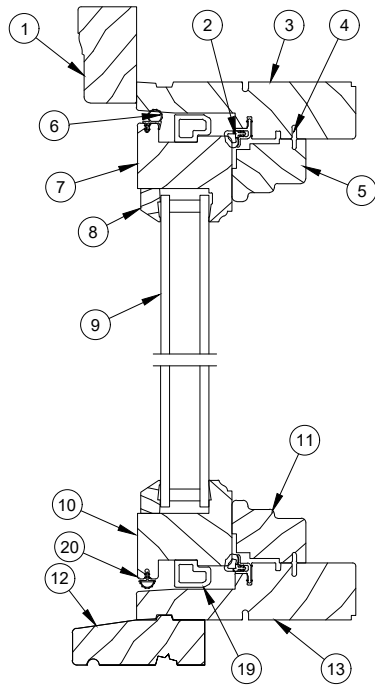


Head Jamb and Sill

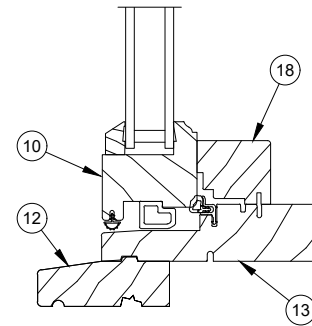
1. Head Jamb Brick Mould Casing, W1047
2. Frame Weather Strip, V1983
3. Head Jamb
4. Connecting Barb, V803
5. Head Jamb Stop, W9790
6. Sash Weather Strip, V1655
7. Top Rail
8. Glazing Bead, W10384
9. Insulating Glass
10. Screen Frame
11. Screen Mesh
12. Bottom Rail
13. Sill Cover, W10430
14. Folding Handle
15. Folding Handle Cover
16. Subsill, W10333
17. Sill
18. Jamb Brick Mould Casing, W1047
19. Jamb
20. Jamb Stop, W9790
21. Stile
22. Frame Weather Strip, V1983
23. Sash Weather Strip, V2512



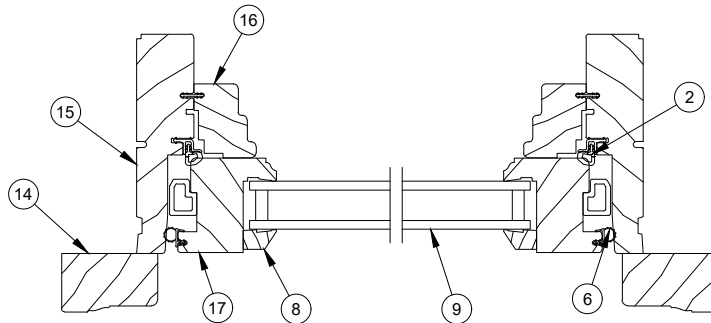
Jamb



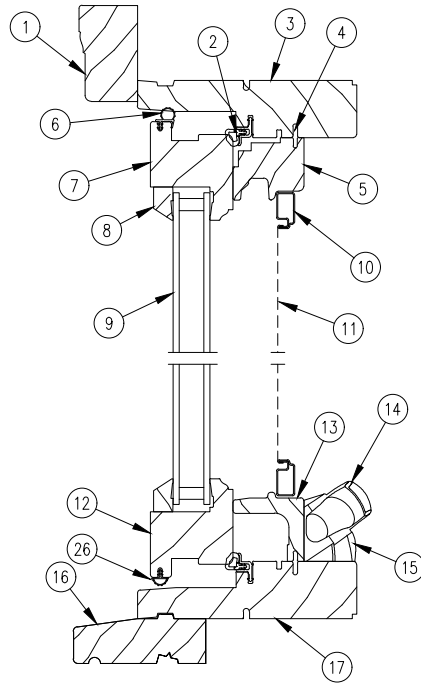
Head Jamb and Sill



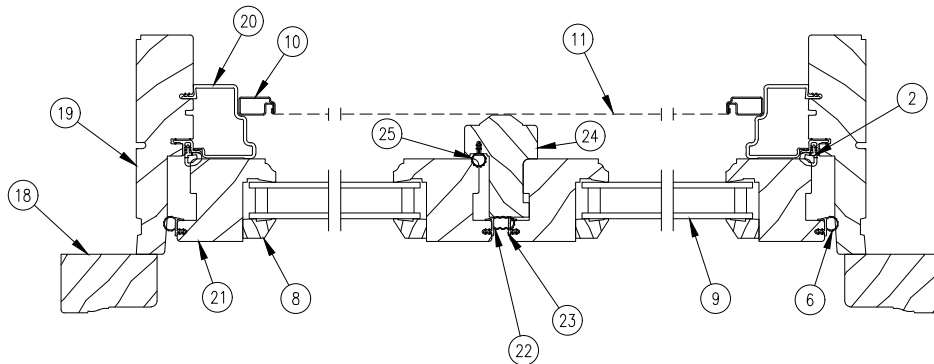
1. Head Jamb Brick Mould Casing, W1047
2. Frame Weather Strip, V1983
3. Head Jamb
4. Connecting Barb, V803
5. Head Jamb Stop, W9790
6. Sash Weather Strip, V1655
7. Top Rail
8. Glazing Bead, W10384
9. Insulating Glass
10. Bottom Rail
11. Sill Cover – Sloped Option, W9790
12. Subsill, W10333
13. Sill
14. Jamb Brick Mould Casing, W1047
15. Jamb
16. Jamb Stop, W9790
17. Stile
18. Sill Cover – Flat Option, W10454
19. Stationary Sash Block, V1613
20. Sash Weather Strip, V2512



Jamb

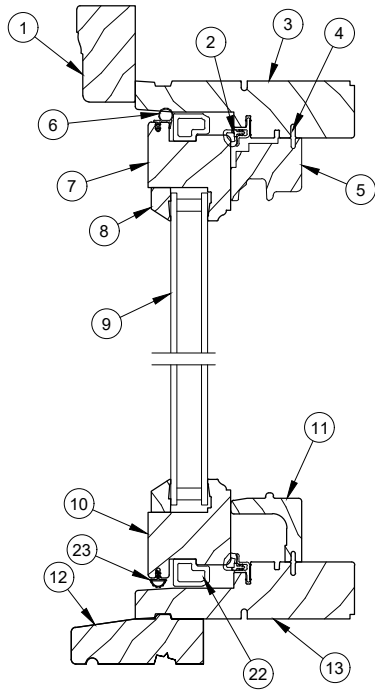


Head Jamb and Sill

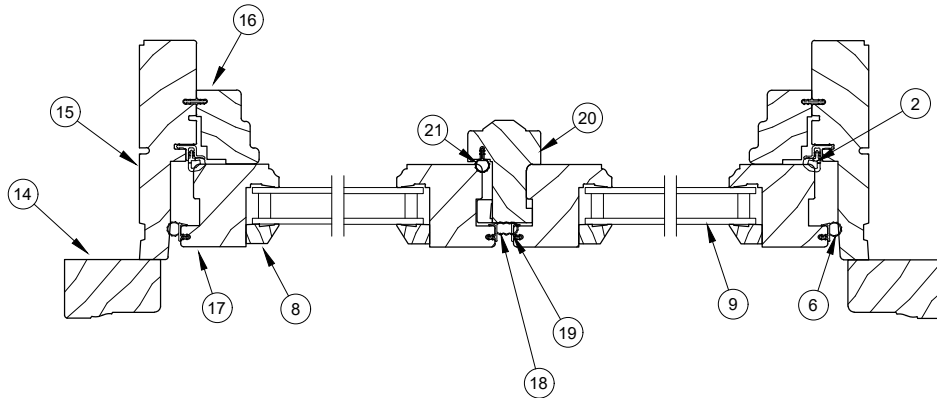


Jamb

1. Head Jamb Brick Mould Casing, W1047
2. Frame Weather Strip, V1983
3. Head Jamb
4. Connecting Barb, V803
5. Head Jamb Stop, W9787
6. Sash Weather Strip, V1655
7. Top Rail
8. Glazing Bead, W10384
9. Insulating Glass
10. Screen Frame
11. Screen Mesh
12. Bottom Rail
13. Sill Cover, W9788
14. Handle
15. Handle Cover
16. Subsill, W10333
17. Sill
18. Jamb Brick Mould Casing, W1047
19. Jamb
20. Jamb Stop, V1666
21. Stile
22. Meeting Stile Weather Strip, V1937
23. Meeting Stile Weather Strip Carrier, V1936
24. Astragal
25. Astragal Weather Strip, V147
26. Sash Weather Strip, V2512

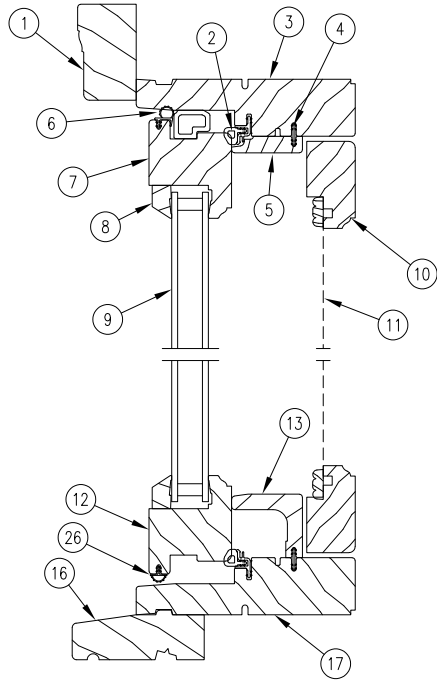


Head Jamb and Sill

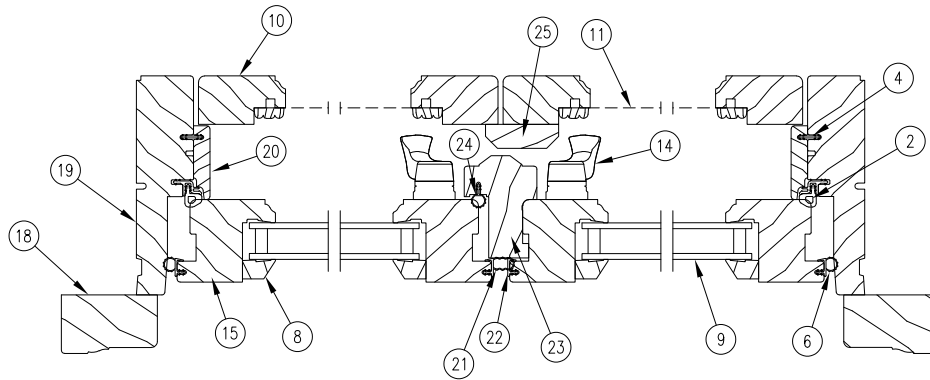


Jamb

1. Head Jamb Brick Mould Casing, W1047
2. Frame Weather Strip, V1983
3. Head Jamb
4. Connecting Barb, V803
5. Head Jamb Stop, W9787
6. Sash Weather Strip, V1655
7. Top Rail
8. Glazing Bead, W10384
9. Insulating Glass
10. Bottom Rail
11. Sill Cover, W9788
12. Subsill, W10333
13. Sill
14. Jamb Brick Mould Casing, W1047
15. Jamb
16. Jamb Stop, W9790
17. Stile
18. Meeting Stile Weather Strip, V1937
19. Meeting Stile Weather Strip Carrier, V1936
20. Astragal
21. Astragal Weather Strip, V147
22. Stationary Sash Block, V1613
23. Sash Weather Strip, V2512

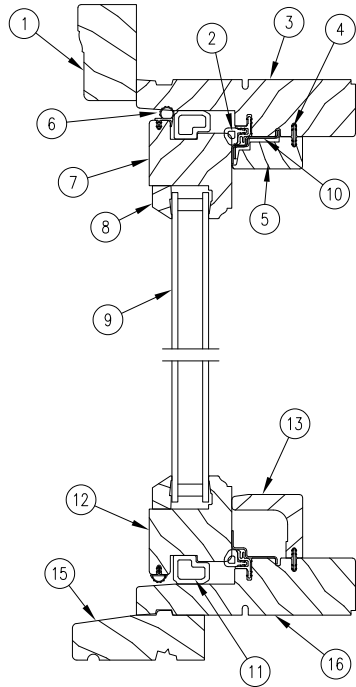


Head Jamb and Sill



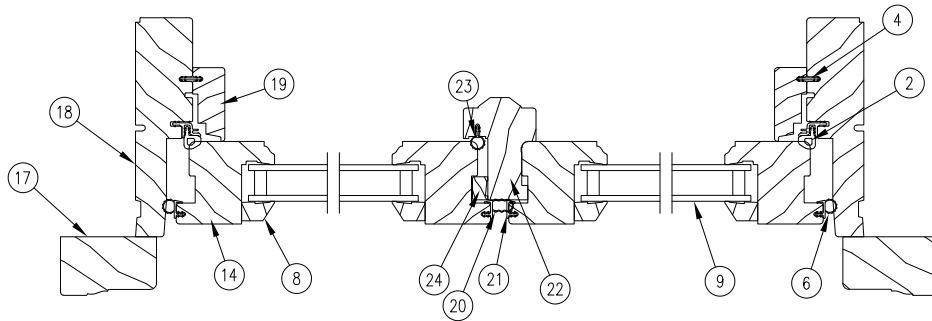
Jamb

1. Head Jamb Brick Mould Casing, W1047
2. Frame Weather Strip, V1983
3. Head Jamb
4. Connecting Barb, V803
5. Head Jamb Stop, W10231
6. Sash Weather Strip, V1655
7. Top Rail
8. Glazing Bead, W10384
9. Insulating Glass
10. Screen Frame
11. Screen Mesh
12. Bottom Rail
13. Sill Cover, W10329
14. Handle
15. Stile
16. Subsill, W10333
17. Sill
18. Jamb Brick Mould Casing, W1047
19. Jamb
20. Jamb Stop, W10230
21. Active Meeting Stile Weather Strip, V1937
22. Meeting Stile Weather Strip Carrier, V1936
23. Astragal
24. Astragal Weather Strip, V147
25. Screen Astragal
26. Sash Weather Strip, V2512



Head Jamb and Sill

1. Head Jamb Brick Mould Casing, W1047
2. Frame Weather Strip, V1983
3. Head Jamb
4. Connecting Barb, V803
5. Head Jamb Stop, W11312
6. Sash Weather Strip, V1655
7. Top Rail
8. Glazing Bead, W10384
9. Insulating Glass
10. Stationary Bracket
11. Stationary Sash Block, V1613
12. Bottom Rail
13. Sill Cover, W10329
14. Stile
15. Subsill, W10333
16. Sill
17. Jamb Brick Mould Casing, W1047
18. Jamb
19. Jamb Stop, W11311
20. Active Meeting Stile Weather Strip, V1937
21. Meeting Stile Weather Strip Carrier, V1936
22. Astragal
23. Astragal Weather Strip, V147
24. Sash Interlock Block
25. Sash Weather Strip, V2512



Jamb