

MODERN DIRECT GLAZE

Polygon and Rectangle

Table of Contents

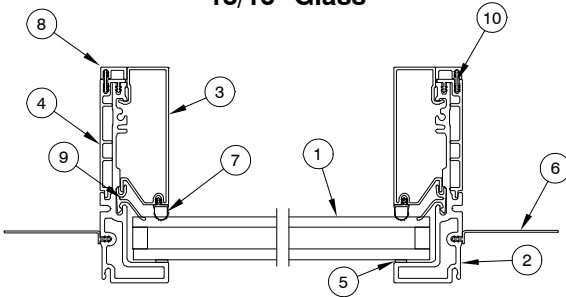
	Page
History	2
Part Identification – Rectangle and Polygon	3
Part Identification – Mulling Options	4
Aluminum Parts	5
Glazing Parts	6

ATTENTION:

- Specification and technical data are subject to change without notice.

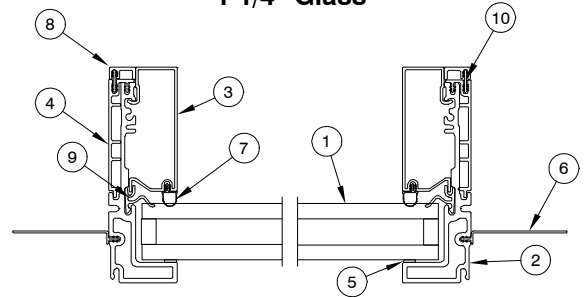
PRODUCED	UNIT TYPE	FEATURES OR CHANGES	STATUS
2018	Direct Glaze (Polygon and Rectangle)	2018-10-29 – Introduced the Modern Direct Glaze Window.	Present
2019	Direct Glaze (Polygon and Rectangle)	2019-10-28 – Updated glazing system to use a glazing clip.	Present
2019	Direct Glaze (Polygon and Rectangle)	2019-12-16 – Introduced Mulling options.	Present

**Direct Glaze Rectangle
15/16" Glass**



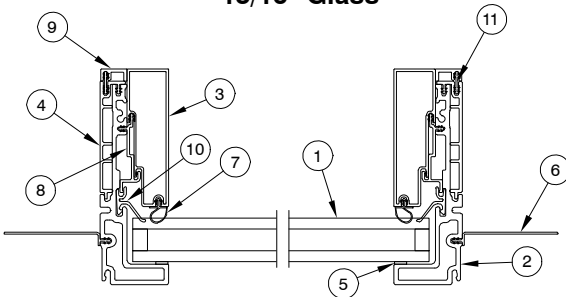
- 1. 15/16" Insulating Glass
- 2. Frame
- 3. Glazing Stop, A3357
- 4. Shim Block ♦
- 5. Glazing Tape
- 6. Nail Fin, V2920 ♦
- 7. Interior Glazing Seal, Rectangle, V1419
- 8. Frame Filler (Interior Trim), A3316 (optional) ♦
- 9. Glazing Clip, V3034
- 10. Connecting Barb, V803 ♦

**Direct Glaze Rectangle
1 1/4" Glass**



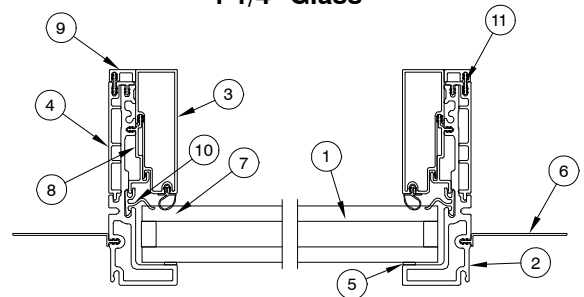
- 1. 1 1/4" Insulating Glass
- 2. Frame
- 3. Glazing Stop, A3358
- 4. Shim Block ♦
- 5. Glazing Tape
- 6. Nail Fin, V2920 ♦
- 7. Interior Glazing Seal, Rectangle, V1419
- 8. Frame Filler (Interior Trim), A3316 (optional) ♦
- 9. Glazing Clip, V3033
- 10. Connecting Barb, V803 ♦

**Direct Glaze Polygon
15/16" Glass**



- 1. 15/16" Insulating Glass
- 2. Frame
- 3. Glazing Stop, A3359
- 4. Shim Block ♦
- 5. Glazing Tape
- 6. Nail Fin, V2920 ♦
- 7. Interior Glazing Seal, Polygon, V2949
- 8. Glazing Bead, Polygon, V2917
- 9. Frame Filler (Interior Trim), A3316 (optional) ♦
- 10. Glazing Clip, V3034
- 11. Connecting Barb, V803 ♦

**Direct Glaze Polygon
1 1/4" Glass**

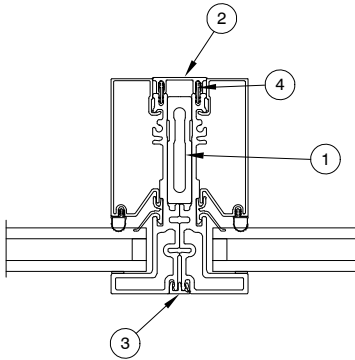


- 1. 1 1/4" Insulating Glass
- 2. Frame
- 3. Glazing Stop, A3360
- 4. Shim Block ♦
- 5. Glazing Tape
- 6. Nail Fin, V2920 ♦
- 7. Interior Glazing Seal, Polygon, V2949
- 8. Glazing Bead, Polygon, V2917
- 9. Frame Filler (Interior Trim), A3316 (optional) ♦
- 10. Glazing Clip, V3033
- 11. Connecting Barb, V803 ♦

NOTE: Not to scale; specifications subject to change without notice.

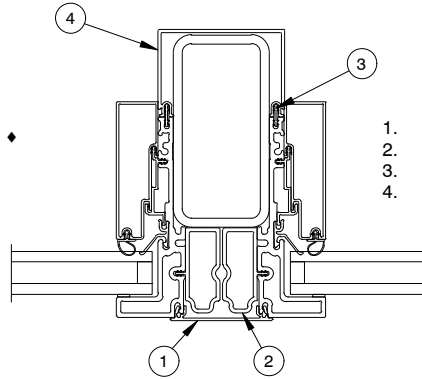
♦ Available in the Modern Accessories section.

**Mull using
1/2" x 2 1/4" Aluminum**



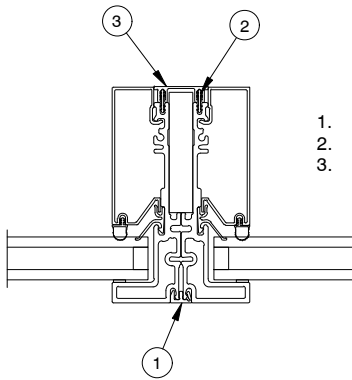
1. Standard Mull Reinforcement, A3398 ♦
2. Mull Cover, Interior, A3315 ♦
3. Mull Cap, Exterior, A3422 ♦
4. Connecting Barb, V803 ♦

**Mull using
2" x 4" Tube Steel****



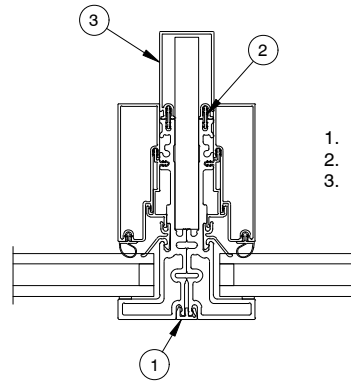
1. Mull Cap, Exterior, 2", A3509 ♦
2. Mull Filler, V3073 ♦
3. Connecting Barb, V803 ♦
4. Mull Cover, Interior, 2" x 4", A3512 ♦

**Mull using
1/2" x 2 1/2" Flat Steel****



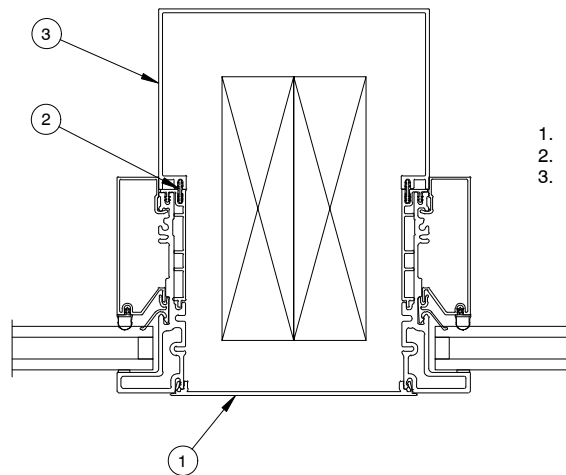
1. Mull Cap, Exterior, A3422 ♦
2. Connecting Barb, V803 ♦
3. Mull Cover, Interior, A3315 ♦

**Mull using
1/2" x 4" Flat Steel****



1. Mull Cap, Exterior, A3422 ♦
2. Connecting Barb, V803 ♦
3. Mull Cover, Interior, 1/2" x 4", A3513 ♦

**Mull using
4 1/2" Stud Pocket****





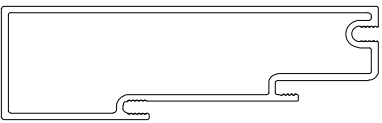
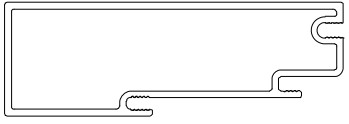
1. Mull Cover, Exterior, 4 1/2", A3568 ♦
2. Connecting Barb, V803 ♦
3. Mull Cover, Interior 4 1/2", A3567 ♦

♦ Available in the Modern Accessories section.

* Supplied by Marvin

** Steel/Structure supplied by others

NOTE: Not to scale; specifications subject to change without notice.

Illustration <i>Not to Scale</i>	Description	Length	Color	Part No.
	Glazing Stop, Rectangle 15/16" Glass A3357	200" (5080)	Gun Metal Stone White Bronze Clear Anodized Ebony	18819020 18819015 18819010 18819005 18819000
	Glazing Stop, Rectangle 1 1/4" Glass A3358	200" (5080)	Gun Metal Stone White Bronze Clear Anodized Ebony	18819170 18819165 18819160 18819155 18819150
	Glazing Stop, Polygon 15/16" Glass A3359	200" (5080)	Gun Metal Stone White Bronze Clear Anodized Ebony	11819120 11819115 11819110 11819105 11819100
	Glazing Stop, Polygon 1 1/4" Glass A3360	200" (5080)	Gun Metal Stone White Bronze Clear Anodized Ebony	18819220 18819215 18819210 18819205 18819200

When ordering replacement Modern Direct Glaze aluminum parts specify:

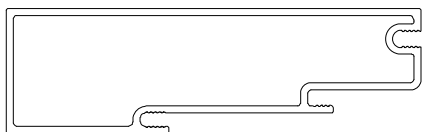
1. Order number/Line Number (if available)
2. Type of unit
3. Description
4. Color
5. Length



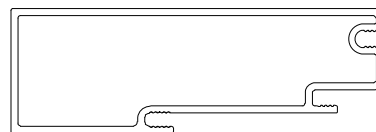
A3357, Glazing Stop,
Rectangle, 15/16" Glass




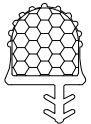
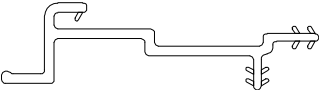
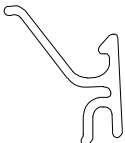
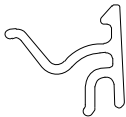

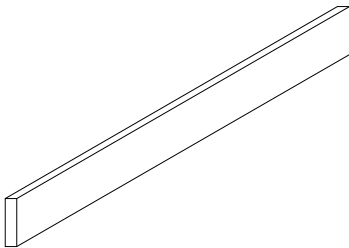
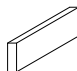
A3358, Glazing Stop,
Rectangle, 1 1/4" Glass



A3359, Glazing Stop,
Polygon, 15/16" Glass



A3360, Glazing Stop,
Polygon, 1 1/4" Glass

Illustration <i>Not to Scale</i>	Description	Length	Color	Part No.
	Interior Glazing Seal V2949	200" (5080)	Black	16219235
	Interior Glazing Seal, Rectangle V1419	150" (5080)	Black	15360799
	Glazing Bead, Polygon V2917	3" (76)	Black	15221405
	Glazing Clip, 15/16" Glass V3034	200" (5080)	Black	16219290
	Glazing Clip, 1 1/4" Glass V3033	200" (5080)	Black	16219285
	2 Part Glazing Sealant, Tube One tube will cover approximately 40 LF using 1/4" bead. <i>NOTE: The Mixing Tube must be used with the 2 Part Glazing Sealant and must be ordered separately. One Mixing Tube should be ordered for each 2 Part Glazing Sealant, Tube.</i>		Black	11402019
	Mixing Tube, 2 Part Sealant			05070319
	Glass Setting Blocks <i>Quantity needed for glass perimeter:</i> ≤ 60" uses 2 blocks at quarter points >60" and ≤ 100" uses 3 blocks at quarter and midpoints >100" uses 4 blocks equally spaced at quarter and midpoints.	15/16" glass 1 1/4" glass	Natural Natural	10500970 10500958
	Glazing Bumper, .063 <i>Note: Glazing bumpers are placed on the glass rabbet 4" from each corner and 20" on center.</i>		Clear	02071555