

# MODERN CASEMENT

## Crank Out and Push Out

### Table of Contents

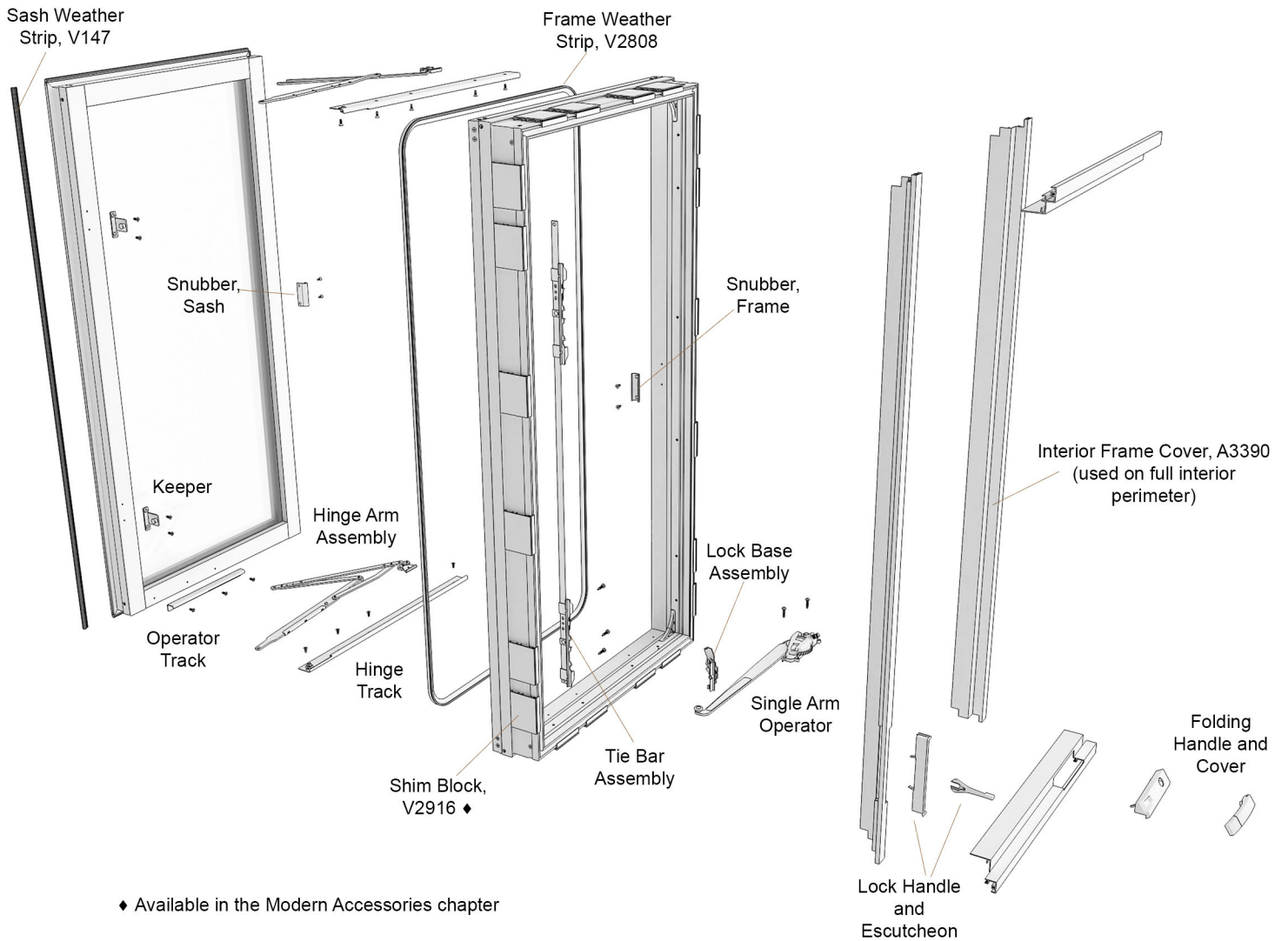
	Page
History .....	2
Part Identification – Crank Out Unit .....	3
Part Identification – Push Out Unit .....	4
Part Identification – Picture Unit .....	5
Part Identification – Mull using 1/2 x 2 1/4 Aluminum .....	6
Part Identification – Mull using 2 x 4 Tube Steel .....	7
Part Identification – Mull using 1/2 x 2 1/2 Flat Steel .....	8
Part Identification – Mull using 1/2 x 4 Flat Steel .....	9
Part Identification – Mull using 4 1/2 Stud Pocket .....	10
Parts .....	11
Aluminum Parts .....	18
Vinyl and Weather Strip Parts .....	19
Screen Parts .....	20
Replacement Sash and Screens .....	21
Discontinued Vinyl and Weather Strip – (NA) No Availability .....	22

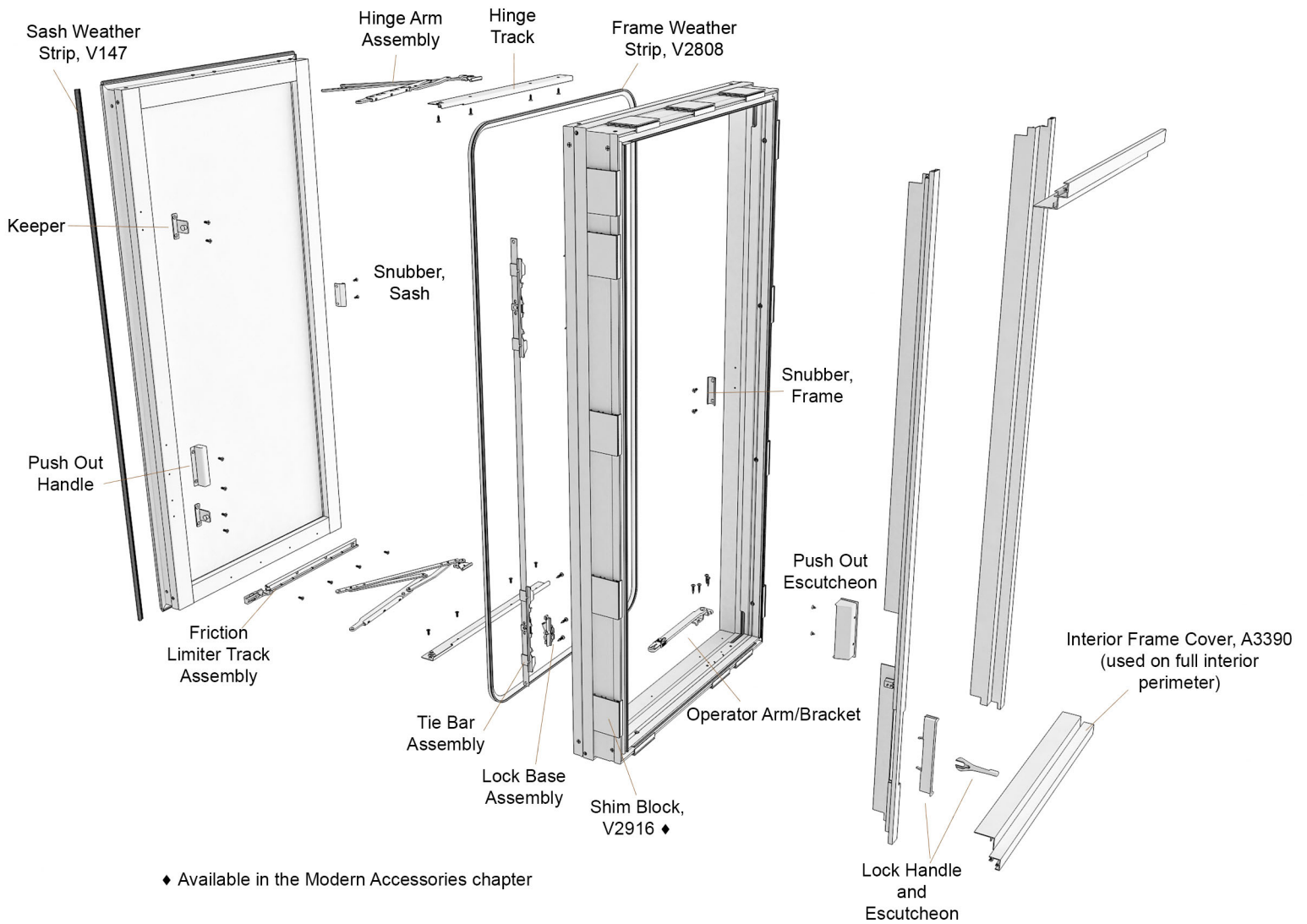
NOTE: See Modern Accessories chapter for various items for Mulling, Installation and Repair

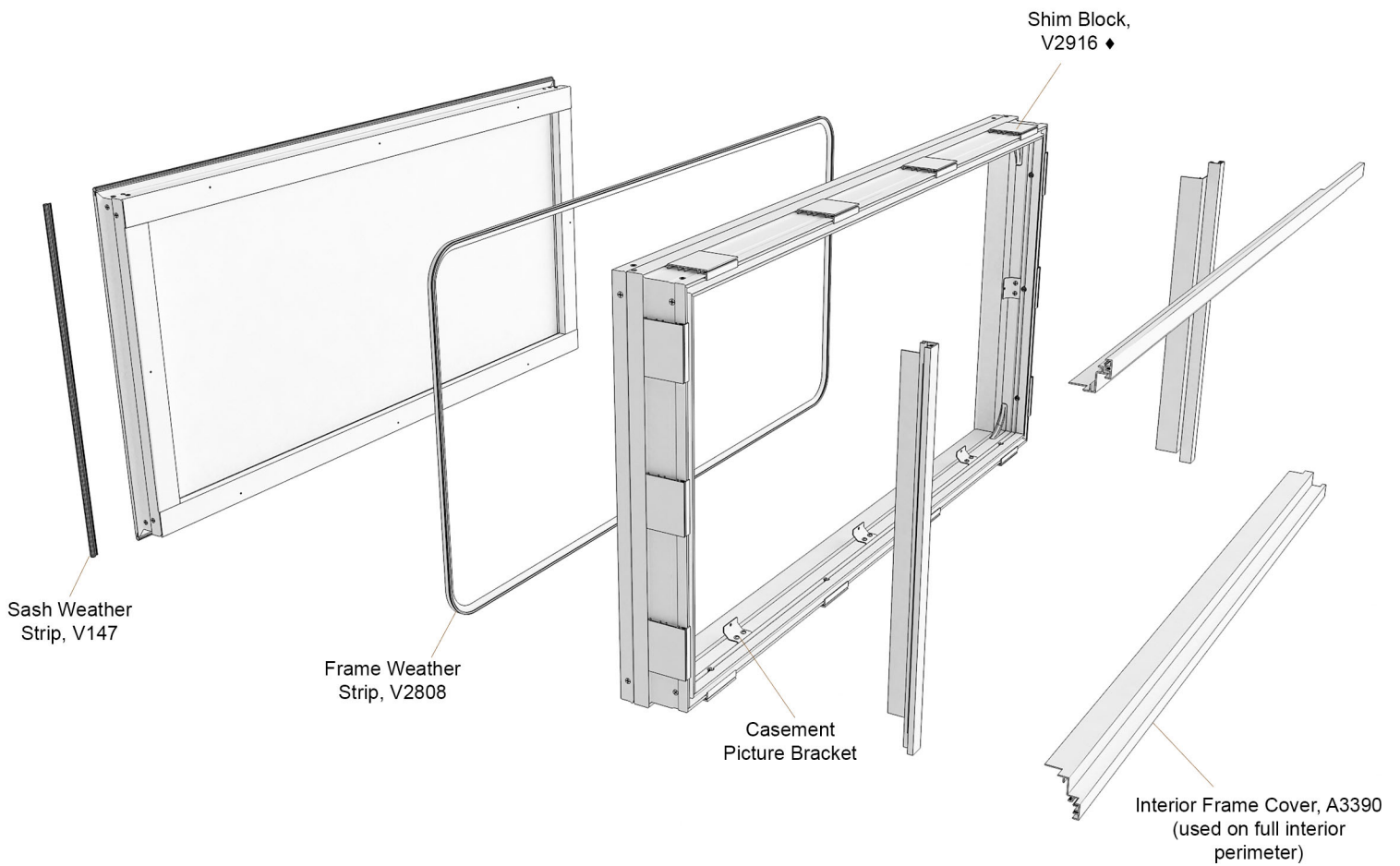
#### **ATTENTION:**

- Specification and technical data are subject to change without notice.

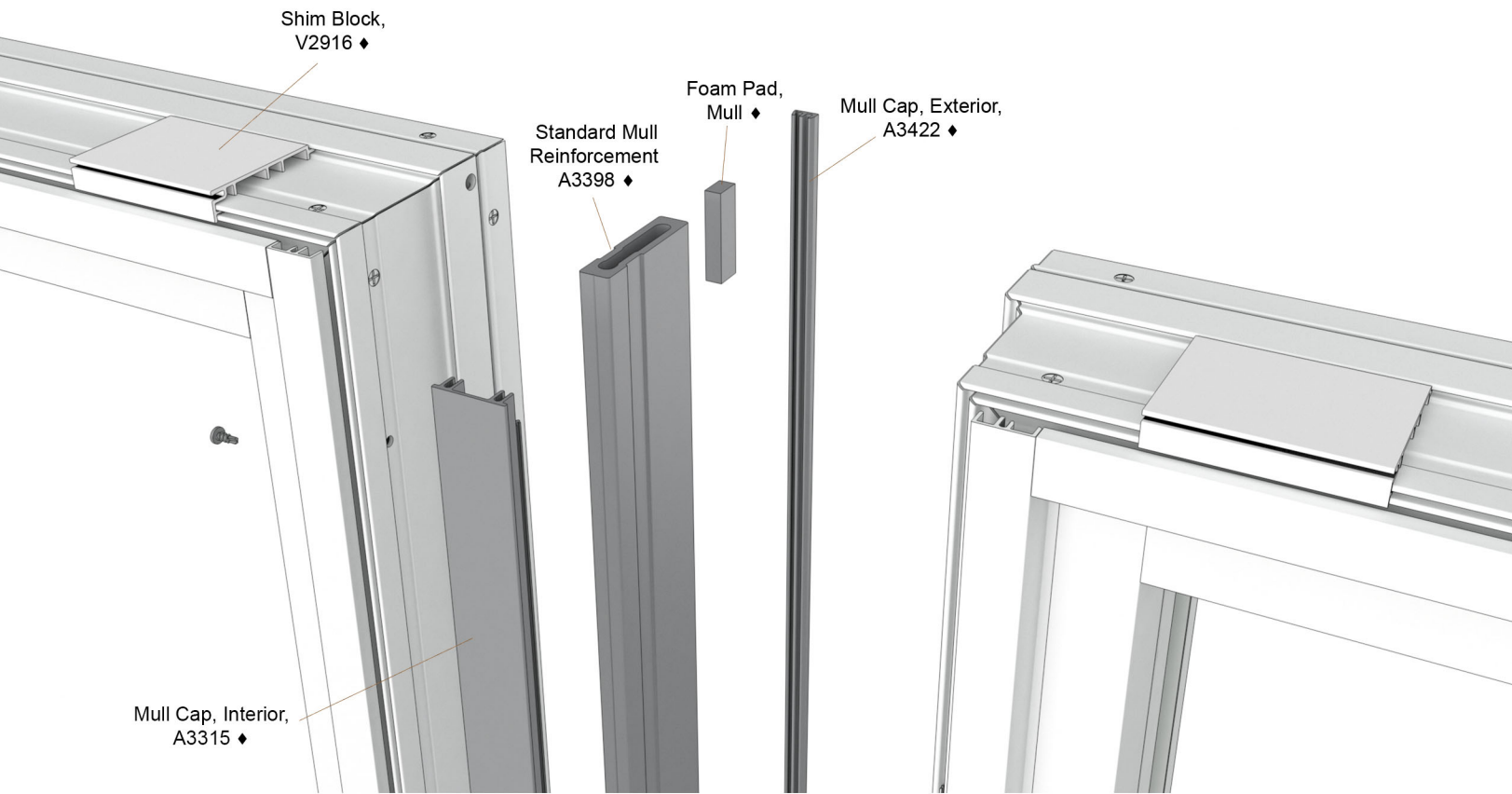
PRODUCED	UNIT TYPE	FEATURES OR CHANGES	STATUS
2019	Casement Crank Out and Casement Push Out.	4/29/2019 – Introduced the Modern Casement Crank Out and Modern Casement Push Out	Present
2019	Casement Crank Out and Casement Push Out.	12/16/2019 – Introduced Mulling Options	Present
2020	Casement Crank Out and Casement Push Out.	02/24/2020 – Sash Weather Strip was changed from V2803 to V147.	Present
2020	Casement Crank Out and Casement Push Out.	04/27/2020 – Casement Picture unit was introduced. Interior Frame Covers were made available as a configured part in OMS.	Present



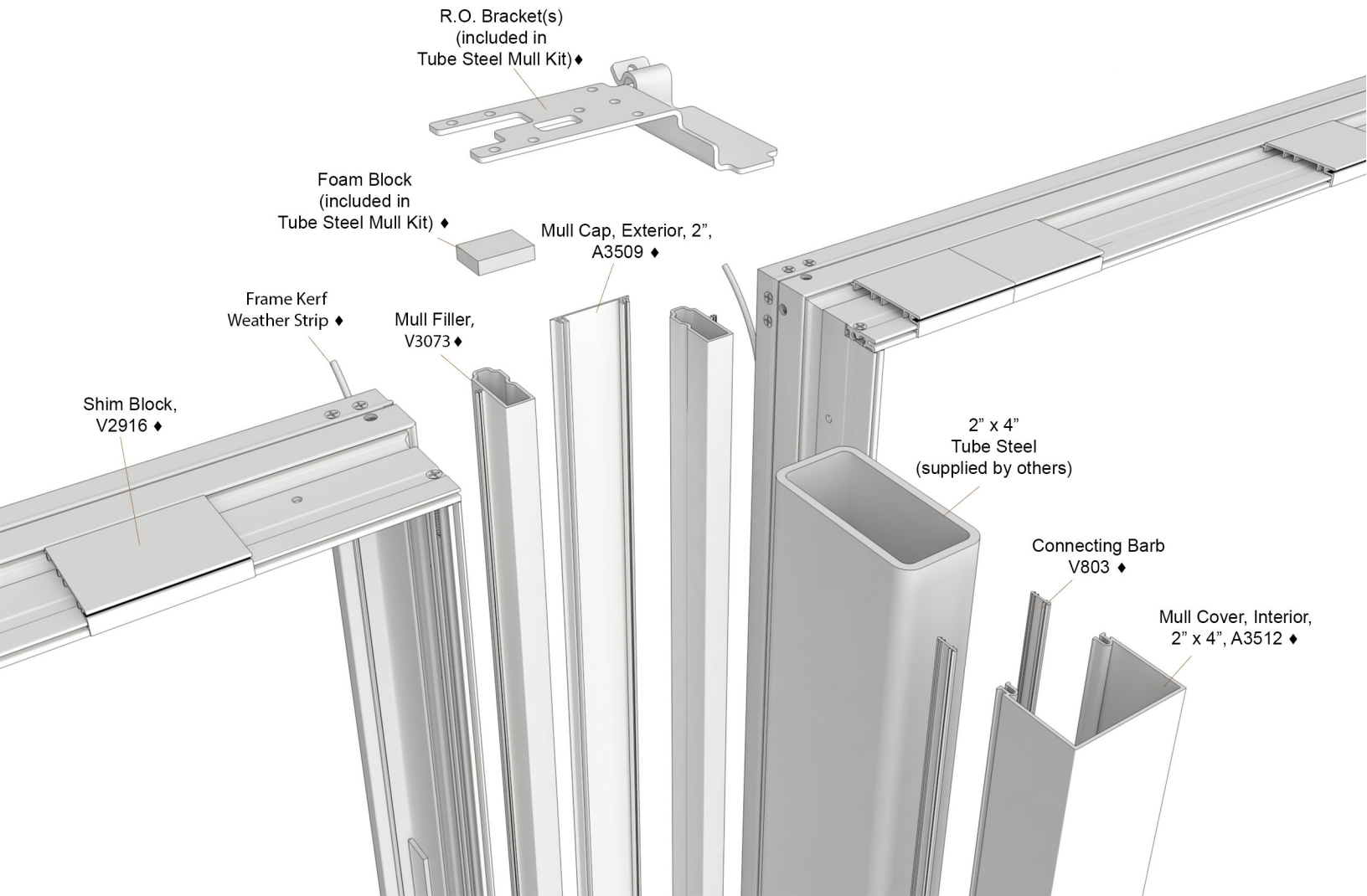




♦ Available in the Modern Accessories chapter

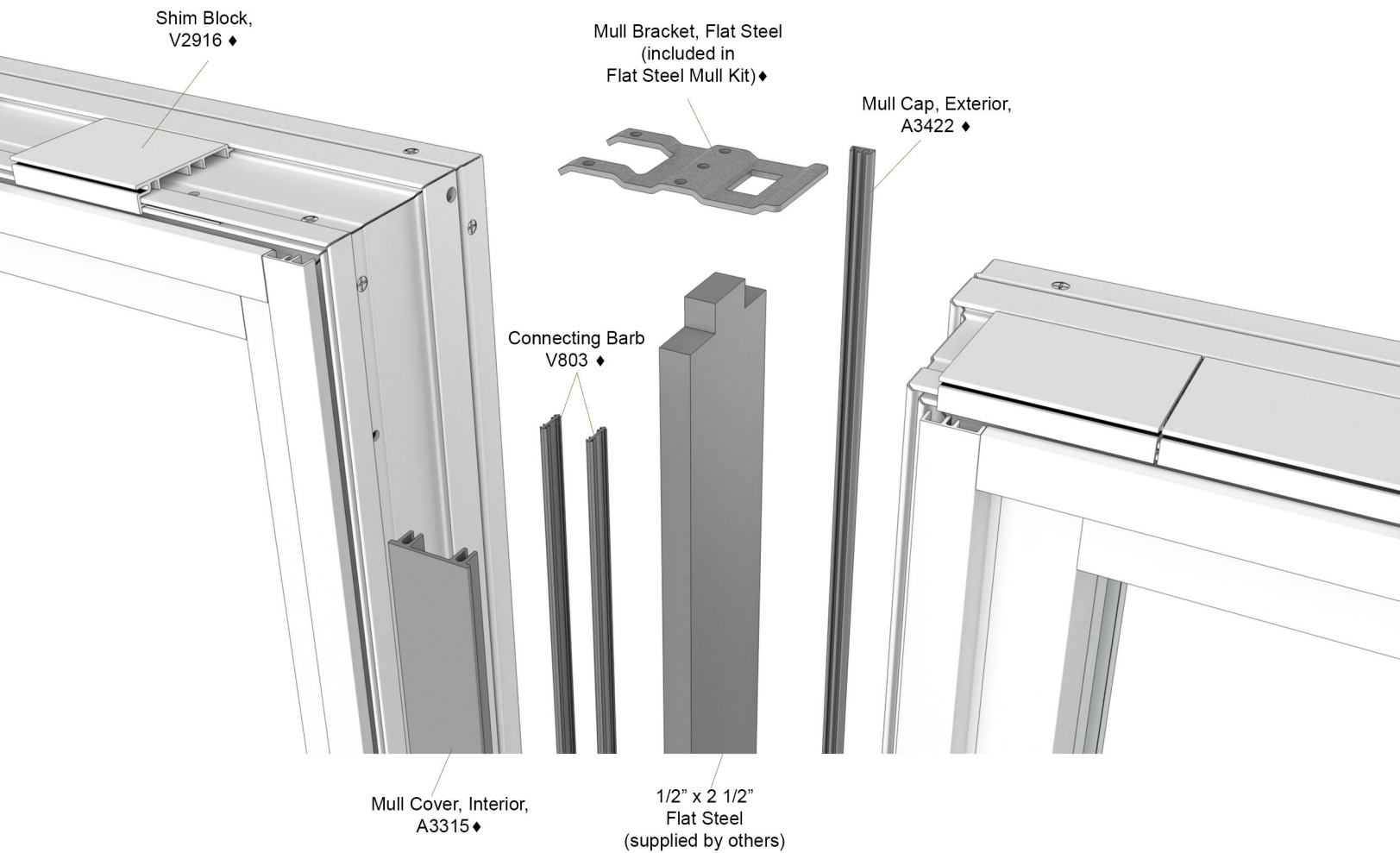


♦ For mulling parts information, refer to the Modern Accessories chapter



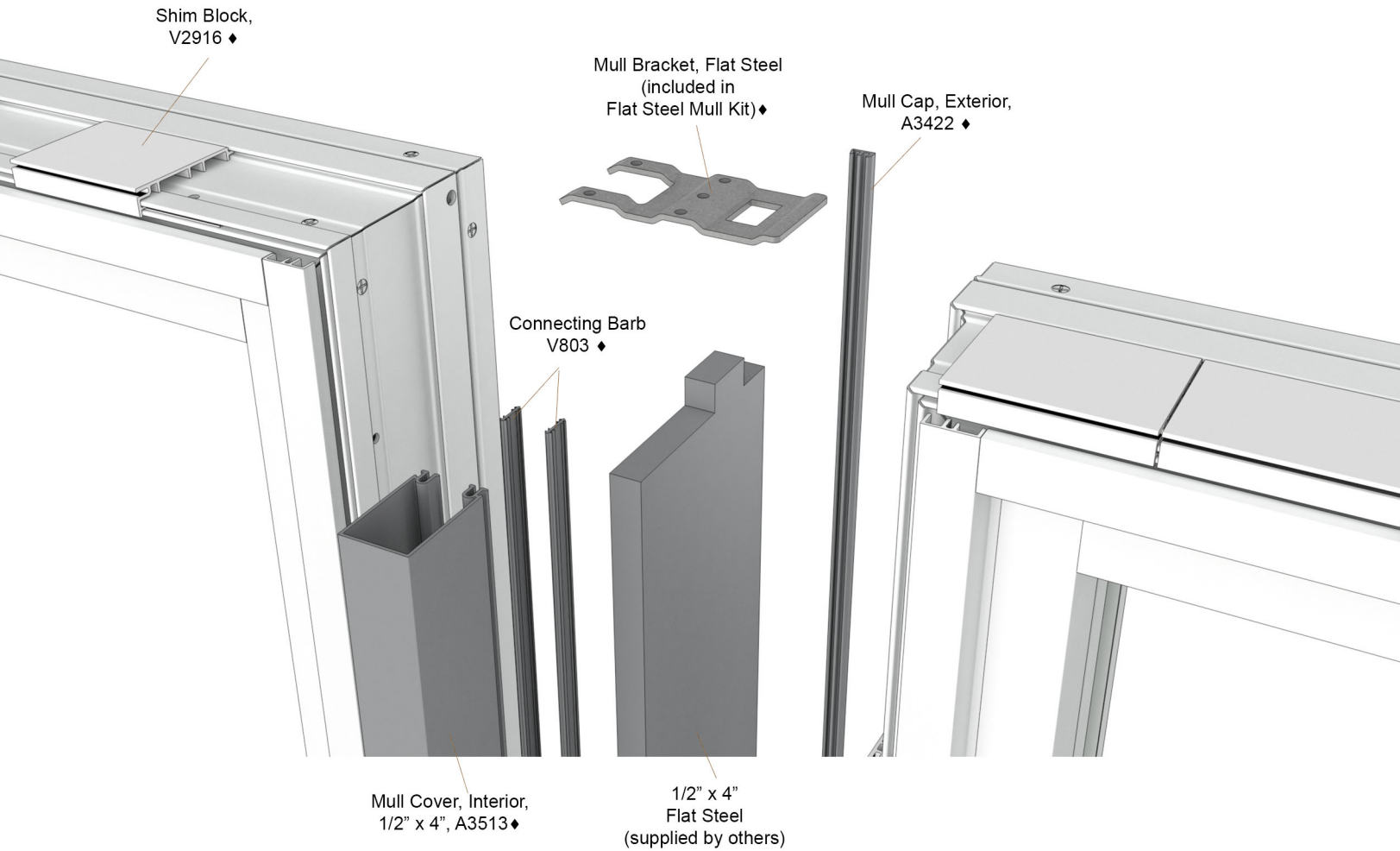
♦ For mulling parts information, refer to the Modern Accessories chapter

**Part ID – Mull using 1/2" x 2 1/2" Flat Steel**

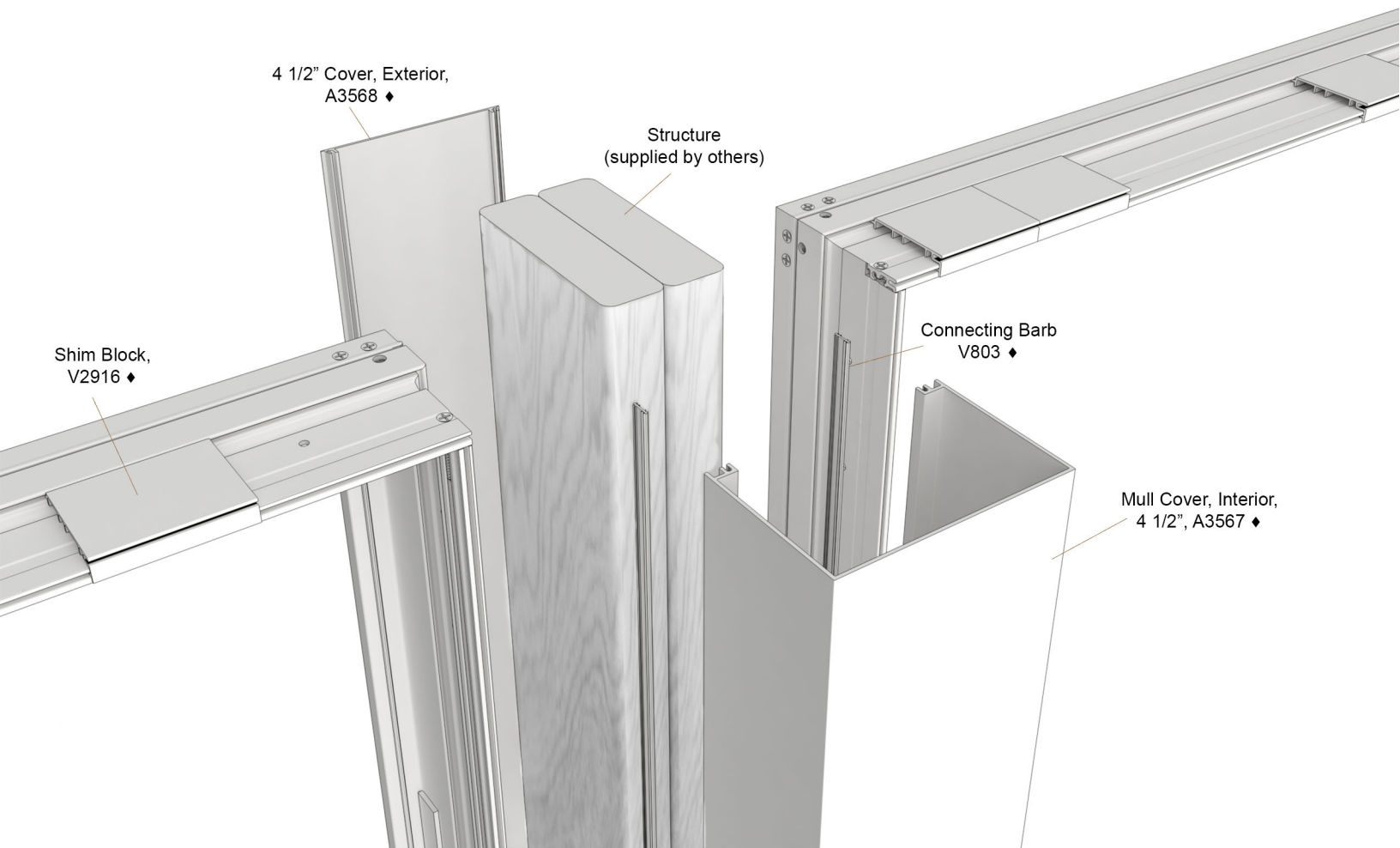


♦ For mulling parts information, refer to the Modern Accessories chapter





♦ For mulling parts information, refer to the Modern Accessories chapter



♦ For mulling parts information, refer to the Modern Accessories chapter

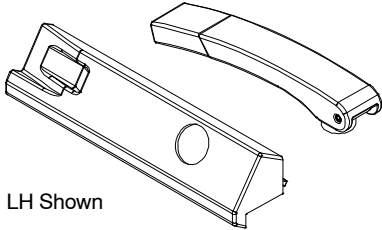

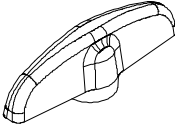
Illustration <i>Not to Scale</i>	Description	Color/Length	LH Part No.	RH Part No.
 <p>LH Shown</p>	<b>Folding Handle and Cover</b> Crank Out	Matte Black	10816475	10816476
		Matte Bronze	10816477	10816478
		Satin Nickel	10816479	10816480
		Silver	10816481	10816482
		Stone White	10816483	10816484
<b>Illustration</b> <i>Not to Scale</i>	<b>Description</b>	<b>Color</b>	<b>Part No.</b>	
	<b>Set Screw, Folding Handle</b> Crank Out	Black	10816485	
	<b>T-Handle, Operator</b> Crank Out (Construction Handle only)		10898670	

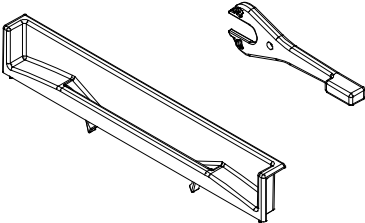
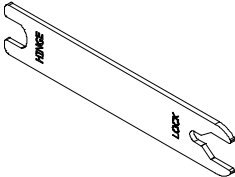
Illustration <i>Not to Scale</i>	Description	Color	Part No.
	<b>Lock Handle and Escutcheon</b> Crank Out and Push Out	Matte Black	10816465
		Matte Bronze	10816466
		Satin Nickel	10816467
		Silver	10816468
		Stone White	10816469
	<b>Lock Handle Wrench</b> Crank Out and Push Out	---	10810020

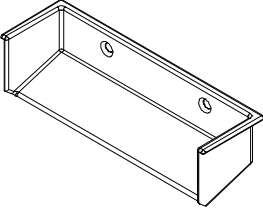
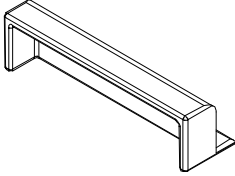
Illustration <i>Not to Scale</i>	Description	Color	Part No.
	<b>Push Out Escutcheon Kit</b> Push Out		
	<i>Includes:</i> 1 – Push out escutcheon 2 – #6 x 1/4" Phillips, flat head screw, stainless steel screws	Matte Black	11862761
		Matte Bronze	11862762
		Satin Nickel	11862763
		Silver	11862764
		Stone White	11862765
	<b>Push Out Handle Kit</b> Push Out		
	<i>Includes:</i> 1 – Push out handle 2 – #8-15 x 1/2" type AB, Phillips, flat head, stainless steel screws	Matte Black	11862756
		Matte Bronze	11862757
		Satin Nickel	11862758
		Silver	11862759
		Stone White	11862760

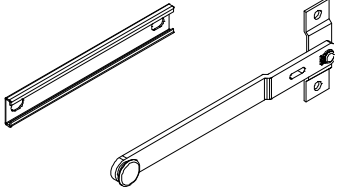
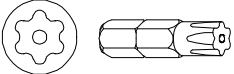
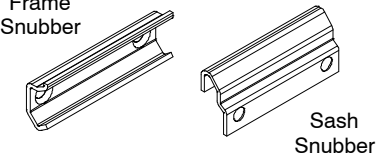
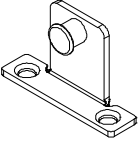
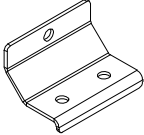
Illustration <i>Not to Scale</i>	Description	Color	Part No.
	<p><b>Sash Limiter Kit, Custodial</b> Crank Out and Push Out <i>Includes:</i> 1 – Sash Limiter and Track Assembly 4 – #8–15 x 3/8" Torx screw 1 – Torx tamper–proof custodial bit 1 – Field installation instruction</p>	---	11850750
	<p><b>T20 Torx Tamper–Proof Custodial Bit</b> Crank Out and Push Out</p>	---	02071481
 <p>Frame Snubber</p> <p>Sash Snubber</p>	<p><b>Snubber Replacement Kit</b> Crank Out and Push Out <i>Includes:</i> 4 – Frame snubber 4 – Sash snubber 16 – #8–15 x 1/2" type AB, Phillips, flat head, stainless steel screws</p>	Stainless Steel	11862479
	<p><b>Keeper Kit</b> Crank Out and Push Out <i>Includes:</i> 1 – Keeper 2 – #8–15 x 1/2" type AB, Phillips, flat head, stainless steel screws</p>	Stainless Steel	11862716
	<p><b>Casement Picture Bracket Kit</b> Picture <i>Includes:</i> 1 – Picture window bracket 2 – #8–10 x 3/4" type A, Phillips, pan head, stainless steel screws 1 – #8–15 x 1/2" type AB, Phillips, flat head, UC screws</p>		11862302

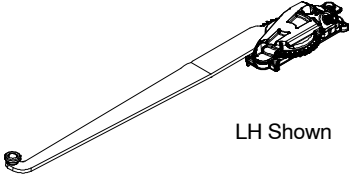
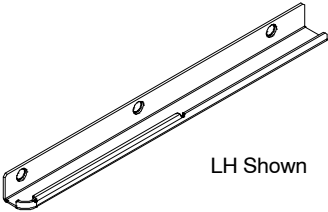
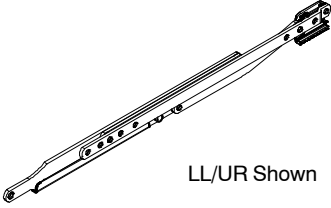
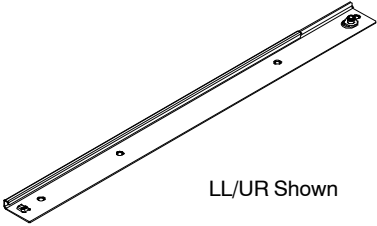
Illustration <i>Not to Scale</i>	Description	Color/Length	LH Part No.	RH Part No.
 <p>LH Shown</p>	<b>Single Arm Operator Kit</b> Crank Out <i>Includes:</i> 1 – Single arm operator 2 – #8-10 x 3/4" full thread, Phillips, pan head, stainless steel screws			
	For frame width 20.000" – 24.000"	Painted Silver 10"	11862747	11862750
	For frame width 24.001" – 30.000"	Painted Silver 14"	11862748	11862751
	For frame width 30.001" – 44.000"	Painted Silver 18"	11862749	11862752
 <p>LH Shown</p>	<b>Operator Track Kit</b> Crank Out <i>Includes:</i> 1 – Operator track 3 – #8-15 x 1/2" type AB, Phillips, flat head, stainless steel screws			
		Stainless Steel 9"	11862728	11862729
 <p>LL/UR Shown</p>	<b>Hinge Arm Kit</b> Crank Out and Push Out <i>Includes:</i> 1 – Hinge arm 4 – #8-15 x 3/4" type AB, Phillips, flat head, stainless steel screws			
	For frame width 20" (508) – 44" (1118)	Stainless Steel 18"	11862700	11862701
 <p>LL/UR Shown</p>	<b>Hinge Track Kit</b> Crank Out and Push Out <i>Includes:</i> 1 – Hinge track 4 – #8-15 x 1/2" type AB, Phillips, flat head, stainless steel screws			
	For frame width 20" (508) – 44" (1118)	Stainless Steel 18"	11862702	11862703

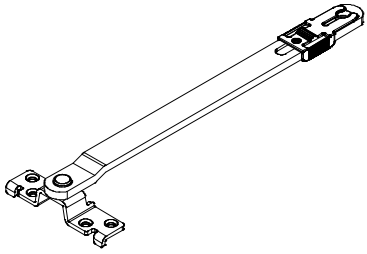
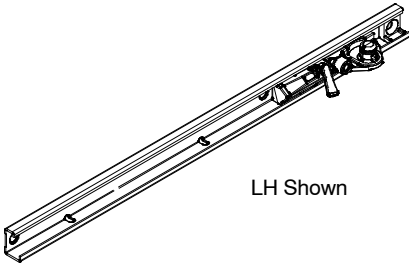
Illustration <i>Not to Scale</i>	Description	Color/Length	Part No.
	<b>Operator Arm/Bracket Assembly Kit</b> Push Out Includes: 1 – Operator arm/bracket assembly 4 – #8-10 x 3/4" Phillips, full thread, pan head screws, stainless steel		
	For frame width 20.000" – 28.499"	Stainless Steel 8"	11862725
	For frame width 28.500" – 34.999"	Stainless Steel 13 3/4"	11862726
	For frame width 35.000" – 44.000"	Stainless Steel 17 1/4"	11862727

Illustration <i>Not to Scale</i>	Description	Color/Length	LH Part No.	RH Part No.
 <p style="text-align: center;">LH Shown</p>	<b>Friction Limiter Track Assembly Kit</b> Push Out Includes: 1 – Track bracket assembly 4 – #8-15 x 1/2" type AB, Phillips, flat head, stainless steel screws			
	For frame width 20.000" – 28.499"	Stainless Steel 12 11/32"	11862719	11862720
	For frame width 28.500" – 34.999"	Stainless Steel 15 23/32"	11862721	11862722
	For frame width 35.000" – 44.000"	Stainless Steel 19 3/4"	11862723	11862724

**Tie Bar Assembly Kit**

Crank Out and Push Out

\* Used on Push Out only (note frame height range)

Includes:

#8-10 x 3/4" Phillips, pan head, stainless steel screws

(see below for quantity included)

Lock Base Assembly (shown for illustrative purposes only – Must be ordered separately)

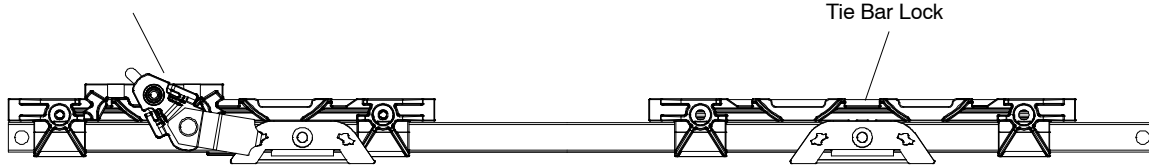
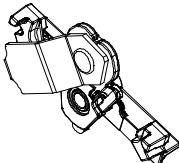
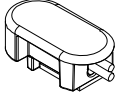
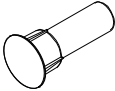
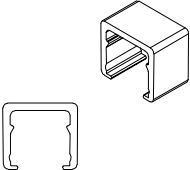


Illustration not to scale

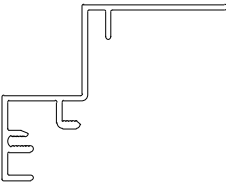
Description	Color	Length	LH Part No.	RH Part No.
For frame height 16.000" – 18.499" (includes 2 screws)	E-Gard	8"	11862733	11862734
			<b>Part No.</b>	
Push Out frame height 18.500" – 28.999" (includes 2 screws)	E-Gard	10"	11862735	
Crank Out frame height 18.500" – 31.999" (includes 2 screws)				
For frame height 29.000" – 31.999" (includes 4 screws)	E-Gard	20 1/2"	11862772*	
For frame height 32.000" – 37.999" (includes 4 screws)				
For frame height 38.000" – 43.999" (includes 4 screws)	E-Gard	29 1/2"	11862737	
For frame height 44.000" – 49.999" (includes 4 screws)	E-Gard	35 1/2"	11862738	
For frame height 45.000" – 55.999" (includes 4 screws)	E-Gard	41 1/2"	11862740	
For frame height 56.000" – 61.999" (includes 6 screws)	E-Gard	47 1/2"	11862741	
For frame height 62.000" – 67.999" (includes 6 screws)	E-Gard	53 1/2"	11862742	
For frame height 68.000" – 73.999" (includes 6 screws)	E-Gard	59 1/2"	11862743	
For frame height 74.000" – 79.999" (includes 6 screws)	E-Gard	65 1/2"	11862744	
For frame height 80.000" – 87.999" (includes 6 screws)	E-Gard	71 1/2"	11862745	
For frame height 88.000" – 102.000" (includes 6 screws)	E-Gard	79 1/2"	11862746	

Illustration <i>Not to Scale</i>	Description	Color	Part No.
	<p><b>Lock Base Assembly Kit</b> Crank Out and Push Out Includes: 1 – Lock base assembly 1 – #8-15 x 1" TEK-3, full thread, Phillips, pan head screw</p>	---	11862718



<b>Illustration</b> <i>Not to Scale</i>	<b>Description</b>	<b>Color</b>	<b>Part No.</b>
	<b>Reed Capsule</b> (Used for Lock Status Sensor) Crank Out and Push Out	Black	10501846
	<b>Reed Capsule</b> (Used for Lock Status Sensor) Crank Out and Push Out <i>Includes:</i> 1 – Magnet, 1/4" x 5/8" N52 1 – Magnet Housing	Black White	10501836 10501837
	<b>Lock Status Sensor Clip</b>		10500890

Replacement Interior Frame Covers are available as a configured part in OMS.



A3390, Interior Cover

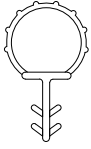
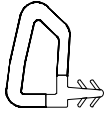
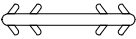
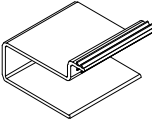
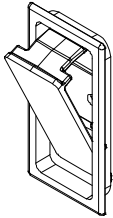
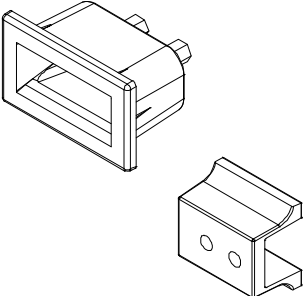
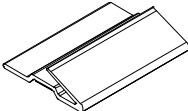
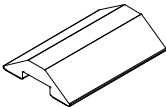

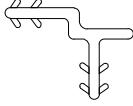
<b>Illustration</b> <i>Not to Scale</i>	<b>Description</b>	<b>Length</b>	<b>Color</b>	<b>Part No.</b>
	<b>Sash Weather Strip</b> Crank Out, Push Out and Picture V147	150" (3810)	Black	17002299
	<b>Frame Weather Strip</b> Crank Out, Push Out and Picture V2808	Specify Length	Black	15356397
	<b>Connecting Barb</b> Crank Out, Push Out and Picture V803	Specify Length	Beige	15812999
	<b>Frame Cover Support</b> Crank Out, Push Out and Picture V3126	1 1/2" (38)	Natural	16219325

Illustration <i>Not to Scale</i>	Description	Color	Part No.
	<b>Screen Latch Assembly Kit</b> Crank Out and Push Out		
	<i>Includes:</i> 1 – Screen latch assembly 2 – Rivets	Ebony	11862481
		Bronze	11862482
		Stone White	11862483
		Gunmetal	11862484
Silver		11862485	
	<b>Screen Latch Receiver Assembly Kit</b> Crank Out and Push Out		
	<i>Includes:</i> 1 – Screen hardware latch receiver 1 – Screen hardware receiver back	Ebony	11862486
		Bronze	11862487
		Stone White	11862488
		Gunmetal	11862489
Silver		11862490	
	<b>Screen Alignment Bumper</b> Crank Out and Push Out		
		Black	15709427
	<b>Screen Bottom Rail Bumper</b> Crank Out		
		Gray	15709428

**Replacement Sash:** Replacement Sash are available through Configured Parts in OMS.

**Screens:** Screens are available through Configured Parts in OMS.

*Note: If a screen is being added to an existing product, stops must also be ordered.*

<b>Illustration</b> <i>Not to Scale</i>	<b>Description</b>	<b>Length</b>	<b>Color</b>	<b>Part No.</b>
	<b>Sash Weather Strip</b> Crank Out and Push Out V2803 <i>Used prior to 2/24/2020</i>		Black	No longer available
	<b>Connecting Barb</b> Crank Out, Push Out and Picture V087	6" (152)	Beige	No longer available