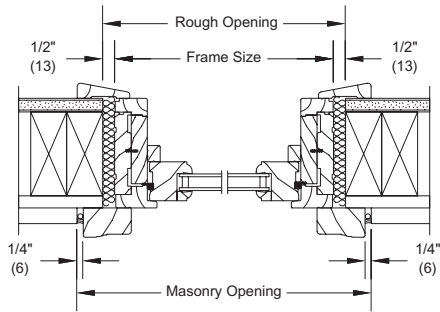


WOOD DOUBLE HUNG TRANSOM

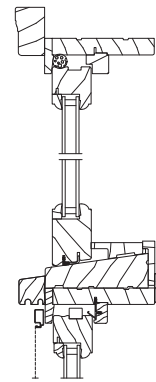
MO (mm)	2-0 1/2 (622)	2-4 1/2 (724)	2-8 1/2 (826)	2-10 1/2 (876)	3-0 1/2 (927)	3-2 1/2 (978)	3-4 1/2 (1029)	3-8 1/2 (1130)	4-0 1/2 (1232)
RO (mm)	1-10 3/8 (568)	2-2 3/8 (670)	2-6 3/8 (772)	2-8 3/8 (822)	2-10 3/8 (873)	3-0 3/8 (924)	3-2 3/8 (975)	3-6 3/8 (1076)	3-10 3/8 (1178)
FS (mm)	1-9 3/8 (543)	2-1 3/8 (645)	2-5 3/8 (746)	2-7 3/8 (797)	2-9 3/8 (848)	2-11 3/8 (899)	3-1 3/8 (949)	3-5 3/8 (1051)	3-9 3/8 (1153)
DLO (mm)	1-2 15/16 (379)	1-6 15/16 (481)	1-10 15/16 (583)	2-0 15/16 (633)	2-2 15/16 (684)	2-4 15/16 (735)	2-6 15/16 (786)	2-10 15/16 (887)	3-2 15/16 (989)

1-6 15/16 (481)									
1-5 7/8 (454)									
1-5 3/8 (441)									
0-1 15/16 (278)									
2-2 15/16 (684)									
2-1 7/8 (657)									
2-1 3/8 (645)									
1-6 15/16 (481)									

CONSTRUCTION DETAILS



JAMB - OPERATOR



TRANSOM MULLED OVER
ULTIMATE WOOD DOUBLE HUNG

Details and Elevations not to scale.

- Transom heights do not include subsill. Add 1 3/32" (28) for stand alone heights if subsill is wanted.

Please consult your local Marvin representative for more information.

For further details and drawings visit the 'Tools and Documents' section at Marvin.com.

Ultimate Wood Double Hung Transom: UWDHTR