

DOUBLE HUNG TRANSOM G2

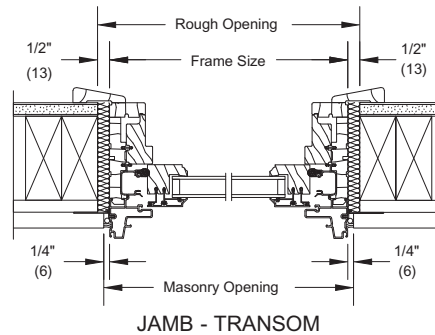
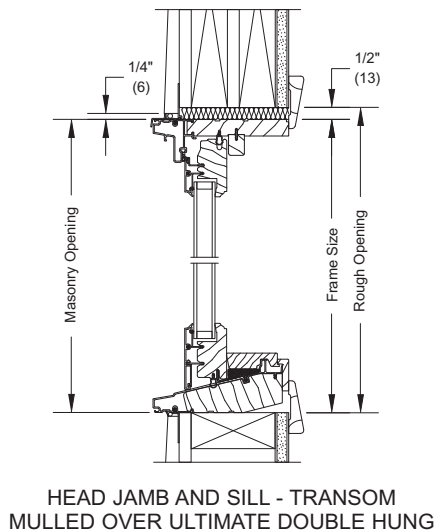
MO (mm)	1-9 3/4 (552)	2-1 3/4 (654)	2-5 3/4 (756)	2-7 3/4 (806)	2-9 3/4 (857)
RO (mm)	1-10 1/4 (565)	2-2 1/4 (667)	2-6 1/4 (768)	2-8 1/4 (819)	2-10 1/4 (870)
FS (mm)	1-9 1/4 (540)	2-1 1/4 (641)	2-5 1/4 (743)	2-7 1/4 (794)	2-9 1/4 (845)
DLO (mm)	14 47/64 (347)	18 47/64 (476)	22 47/64 (577)	24 47/64 (628)	26 47/64 (679)

1-7 15/16 (506)					
1-8 3/16 (513)					
1-7 11/16 (500)					
12 3/4 (324)					
2-3 15/16 (710)					
2-4 3/16 (716)					
2-3 11/16 (703)					
20 3/4 (527)					

MO (mm)	2-11 3/4 (908)	3-1 3/4 (959)	3-5 3/4 (1060)	3-9 3/4 (1162)	4-11 3/4 (1518)
RO (mm)	3-0 1/4 (921)	3-2 1/4 (972)	3-6 1/4 (1073)	3-10 1/4 (1175)	5-0 1/4 (1530)
FS (mm)	2-11 1/4 (895)	3-1 1/4 (946)	3-5 1/4 (1048)	3-9 1/4 (1149)	4-11 1/4 (1505)
DLO (mm)	28 47/64 (730)	30 47/64 (781)	34 47/64 (882)	38 47/64 (984)	52 47/64 (1339)

1-7 15/16 (506)					
1-8 3/16 (513)					
1-7 11/16 (500)					
12 3/4 (324)					
2-3 15/16 (710)					
2-4 3/16 (716)					
2-3 11/16 (703)					
20 3/4 (527)					

CONSTRUCTION DETAILS



Details and Elevations not to scale.
 E These windows meet national Egress codes for fire evacuation. Local codes may differ.

Please consult your local Marvin representative for masonry openings that include casings and subsills.

For further details and drawings visit the 'Tools and Documents' section at Marvin.com.

Ultimate Double Hung Transom G2: UDHTRG2
 Ultimate Double Hung Picture G2: UDHPG2