

Ultimate Scenic Door Sliding Screen

Site Prep Guide

The Marvin Ultimate Multi-Slide door screen system requires proper site preparation to ensure optimal performance and operation after installation.



WARNING

Always practice safety! Wear the appropriate eye, ear and hand protection, especially when working with power tools.

Ultimate Scenic Door Sliding Screen

When a screen is ordered in conjunction with the Ultimate Multi-Slide Door, the rough opening must be prepared accordingly. Use the following illustrations corresponding to your unit to ensure the screen will fit properly. Rough opening will need to be prepared with additional spacing to allow for screen. Follow Centor™ installation instructions for fastening requirement included with your unit.

IMPORTANT

Calculations are based on illustrations provided.

NOTE: Sill panning does NOT continue under the screen sill. The upturn leg must be between the front of the screen sill and the interior sill liner of the door.

For instructions on how to install your Scenic Screen, please follow this link:

http://www.centorusa.com/files/upload/instructions_s1e.pdf

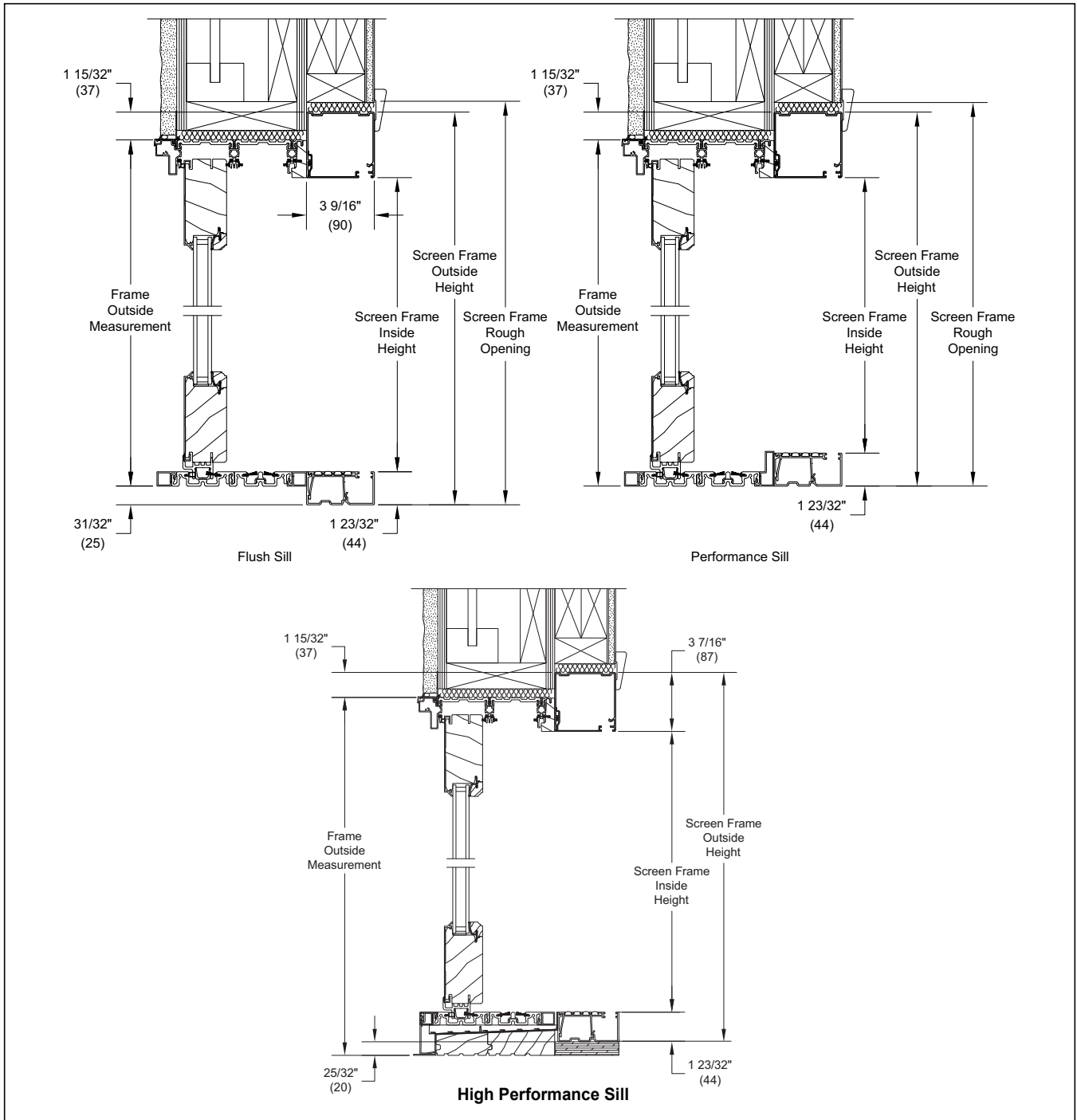
To watch the installation video, follow this link:

<https://www.youtube.com/watch?v=K0Gyo-SywXo>

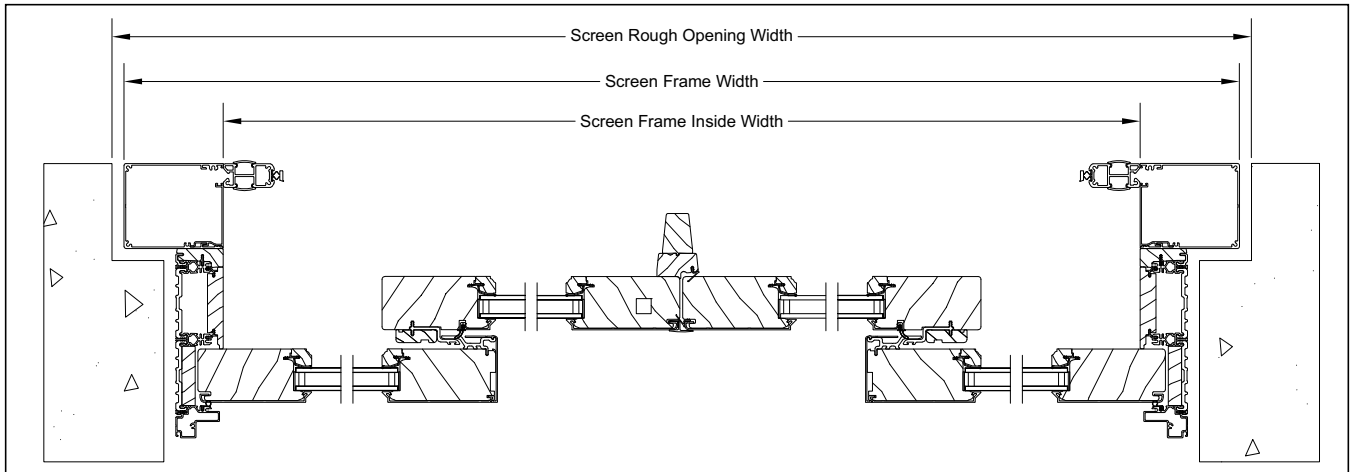
To watch a video on benefits and features of the screen, follow this link:

<https://www.youtube.com/watch?v=NlzlnzSrPLY>

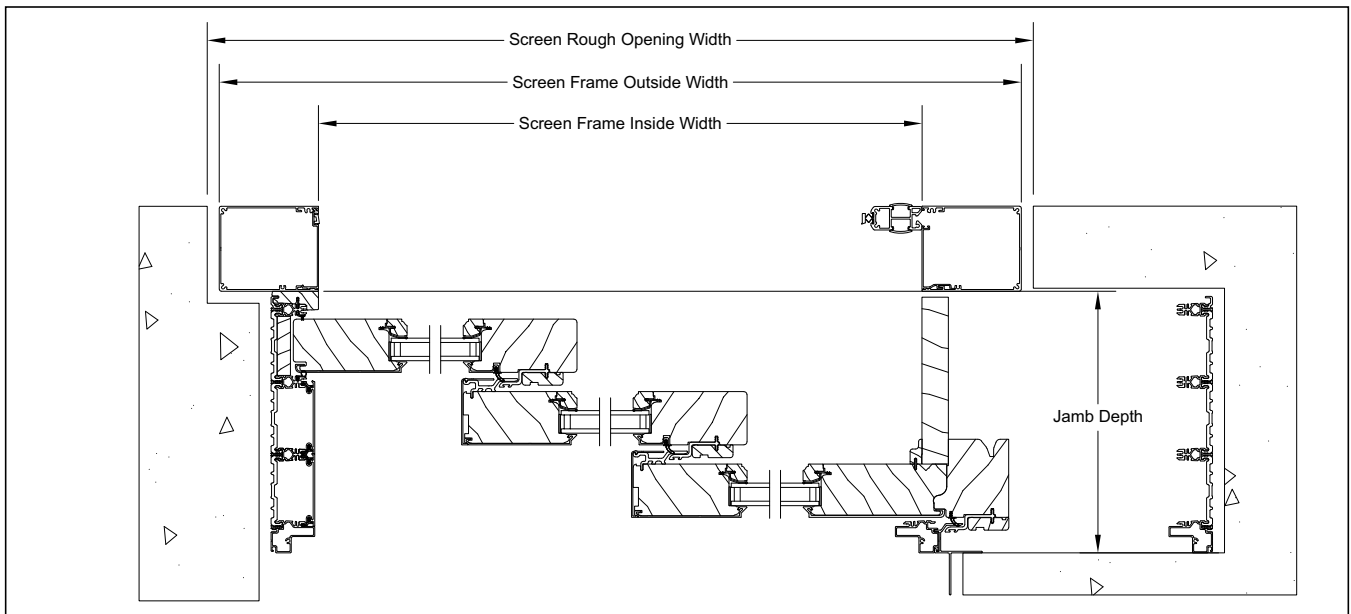
Sill and Head Jamb Offsets



Bi-Parting Pocket Unit with Offsets



Uni-Directional Pocket Unit with Offsets



Uni-Directional Stacked Unit with Offsets

