

**ULTIMATE TILT TURN, ULTIMATE WOOD TILT TURN
 ULTIMATE TILT TURN HOPPER, ULTIMATE WOOD TILT TURN HOPPER
 ULTIMATE TILT TURN CASEMENT INSWING
 ULTIMATE WOOD TILT TURN CASEMENT INSWING
 ULTIMATE TILT TURN ROUND TOP, ULTIMATE WOOD TILT TURN ROUND TOP**

Table of Contents

	PAGE
History	2
Part Identification – Ultimate Wood Tilt Turn 4 9/16 and Ultimate Wood Tilt Turn Casement Inswing 4 9/16	3
Part Identification – Ultimate Wood Tilt Turn and Ultimate Wood Tilt Turn Casement Inswing	4
Part Identification – Ultimate Wood Direct Glaze Tilt Turn Stationary 4 9/16	5
Part Identification – Ultimate Tilt Turn 4 9/16 and Ultimate Tilt Turn Casement Inswing 4 9/16	6
Part Identification – Ultimate Tilt Turn and Ultimate Tilt Turn Casement Inswing	7
Part Identification – Ultimate Wood: Tilt Turn Round Top and Tilt Turn Inswing Casement Round Top 4 9/16	8
Frame and Sash Hardware Locations – Tilt Turn	9
Parts	10
Wood Parts	21
Vinyl and Weatherstrip	22
Sash Replacement	23
Screens and Screen Parts	24
Interior Energy Panels and Parts	25
Discontinued Frame and Sash Hardware Locations – Tilt Turn	26
Discontinued Parts (LA) – Limited Availability	27
Discontinued Parts (NA) – No Availability	41
Discontinued Sash Replacement (LA) – Limited Availability – Pre 6/6/2006	43
Discontinued Screens and Screen Parts – (LA) – Limited Availability – Pre 2/27/2012	44
Discontinued Screen Parts – (NA) – No Availability – Pre 2/27/2012	45

ATTENTION:

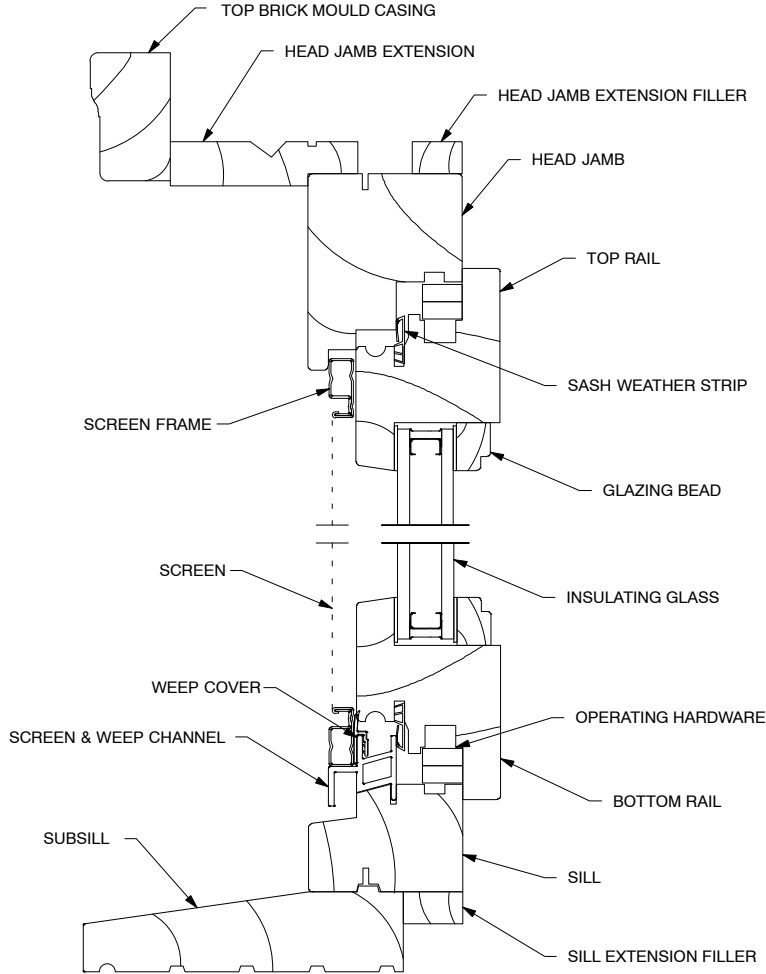
- Specification and technical data are subject to change without notice.
- Numbers listed in parentheses () are metric equivalents in millimeters rounded to the nearest whole number.

Produced	Unit Type	Features or Changes	Status
1984	Ultimate and Ultimate Wood: Tilt Turn, Tilt Turn Hopper, Tilt Turn Casement Inswing, Tilt Turn Round Top	Tilt Turn, Hopper and Casement Inswing introduced. Units feature 2 13/32" or 4 9/16" jambs. Stationary units available as in-sash or keyed units. Tilt Turns feature unique two mode operation controlled by one handle. Hopper units have one mode of operation, tilting at the top for ventilation. Inswing Casements turn in and do not tilt. These units have no standard sizes.	Present
1985	Ultimate Wood: Direct Glaze Tilt Turn Stationary	Direct glaze stationary units (without hardware) introduced.	Present
1986	Ultimate and Ultimate Wood: Tilt Turn, Tilt Turn Hopper Tilt Turn Round Top	New jamb extension profiles and attachment location for wood units in early 1986, clad units mid 1986. Because of new profiles and attachment location frame sizes changed in width and height.	Present
1988	Ultimate and Ultimate Wood: Tilt Turn, Tilt Turn Casement Inswing Tilt Turn Round Top	Handing policy changed from European standard (viewed from the interior) to being viewed from the exterior (Marvin standard). Right or left hand identification on hinges should be disregarded.	Present
1988	Ultimate and Ultimate Wood: Tilt Turn, Tilt Turn Hopper Tilt Turn Casement Inswing	Jamb extension for multiple assemblies now applied to the perimeter head jamb, side jambs and sill as well as continuous extensions applied to selected intermediate mulls.	Present
1992	Ultimate and Ultimate Wood: Tilt Turn, Tilt Turn Hopper Tilt Turn Casement Inswing Tilt Turn Round Top	Simulated divided lite option introduced.	Present
1993	Ultimate: Tilt Turn, Tilt Turn Hopper Tilt Turn Casement Inswing	Introduced factory installed clad brick mould casing and simulated divided lite option.	Present
1994	Ultimate and Ultimate Wood: Tilt Turn, Tilt Turn Hopper Ultimate Tilt Turn Casement Inswing	Interior energy panel surround changed from vinyl to metal.	Present
1997	Ultimate and Ultimate Wood: Tilt Turn, Tilt Turn Casement Inswing Tilt Turn Round Top	Top Hinge change.	2000
2000	Ultimate and Ultimate Wood: Tilt Turn, Tilt Turn Casement Inswing Tilt Turn Round Top	1/26/00 Tilt Turn Round Top and Tilt-Turn: Top and bottom hinge change. 1/26/00 Casement Inswing snubber at center changed to a pinned hinge. Top and bottom hinge change.	Present
2000	Ultimate and Ultimate Wood: Tilt Turn Hopper	9/00 Frame and sash snubber changed.	Present
2002	Ultimate: Tilt Turn, Tilt Turn Hopper Tilt Turn Casement Inswing	3/02 Stone White becomes a standard color. Arctic White transitions to a select color.	Present
2006	Ultimate and Ultimate Wood: Tilt Turn, Tilt Turn Hopper Tilt Turn Casement Inswing	5/22/06 Roto Centro 101 (YZD) hardware was discontinued and replaced with the Roto NT (metal gray) hardware system.	Present
2009	Ultimate and Ultimate Wood: Tilt Turn, Tilt Turn Casement Inswing	6/22/09 New part numbers for bottom corner hinge, pivot rest, and caps. Design change by supplier.	Present
2010	All	2/03/2010 Added a .313 by .031 thick bumper to the glazing bed of the Magnum Tilt-Turn units (wood and clad).	Present
2011	All	04/25/2011 Added LoE-180™ as a standard option for all products. White painted interior finish option introduced for all products.	Present
2012	Ultimate and Ultimate Wood Tilt-Turn All All	02/27/2012 Upgraded screen which will now offer Hi Transparency screen mesh as the standard. 10/29/2012 Interior Square Sticking/Glazing Bead option introduced. 12/17/2012 Introduced Clear interior finish option on all products.	Present
2013	All	04/29/2013 Introduced interior stain options. Stain colors are Wheat, Honey, Leather, Hazelnut, Cabernet and Espresso.	Present

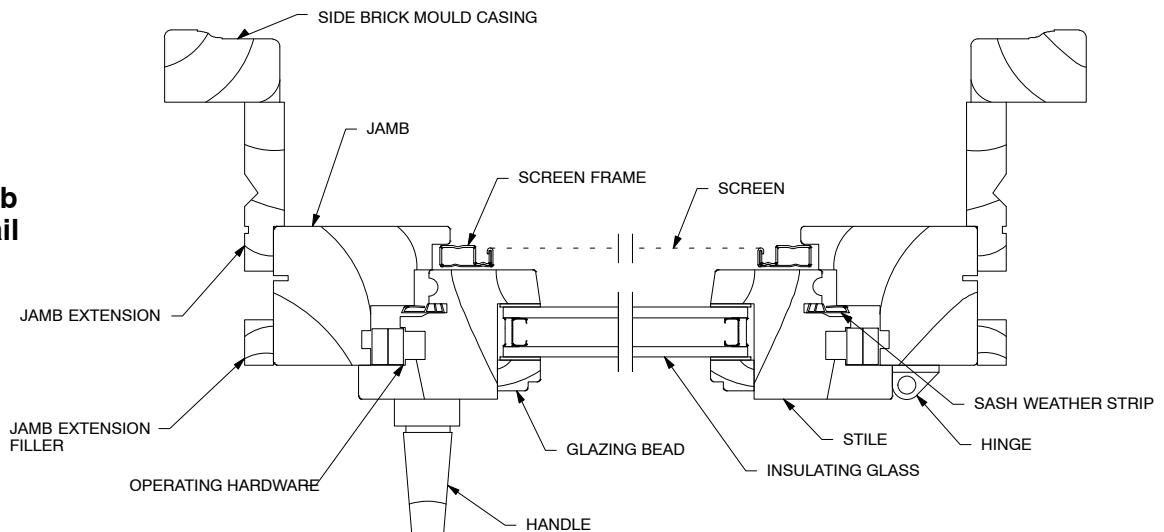
Ultimate Wood Tilt Turn 4 9/16
Ultimate Wood Casement Inswing 4 9/16

NOTE: Hopper part identification is the same with the exception of handle location.

Head Jamb and Sill Detail



Jamb Detail

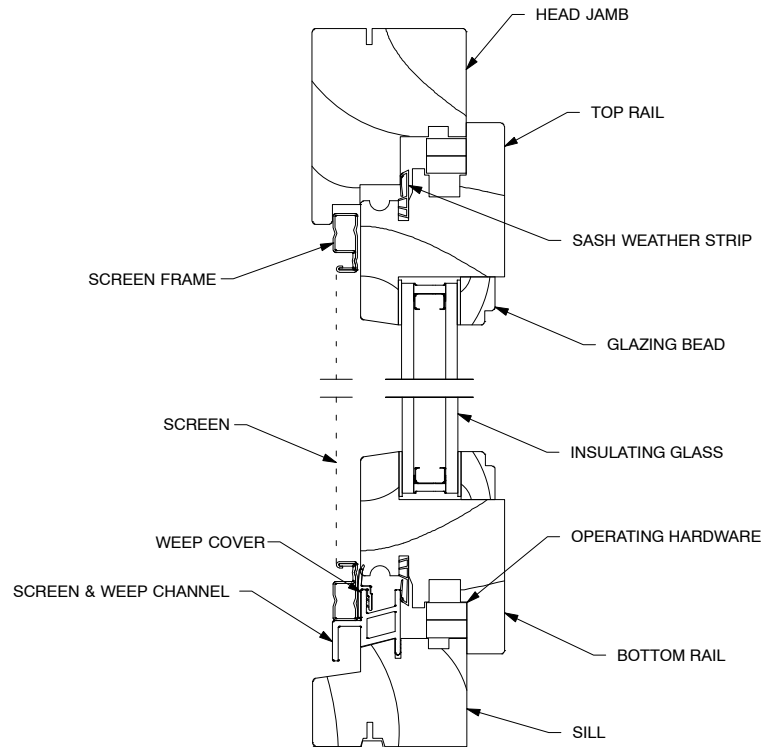


NOTE: Not to scale; specifications subject to change without notice.

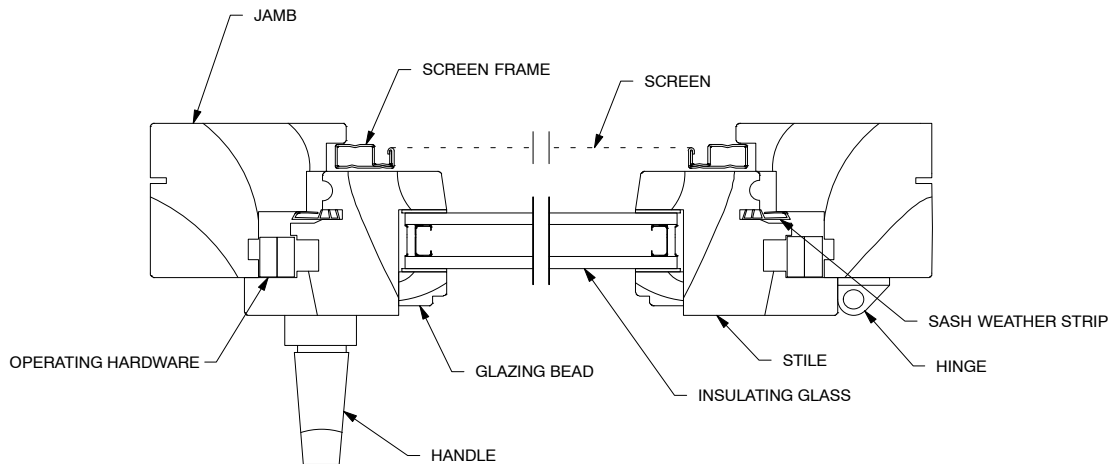
**Ultimate Wood Tilt Turn
Ultimate Wood Casement Inswing**

NOTE: Hopper part identification is the same with the exception of handle location.

**Head Jamb
and Sill Detail**



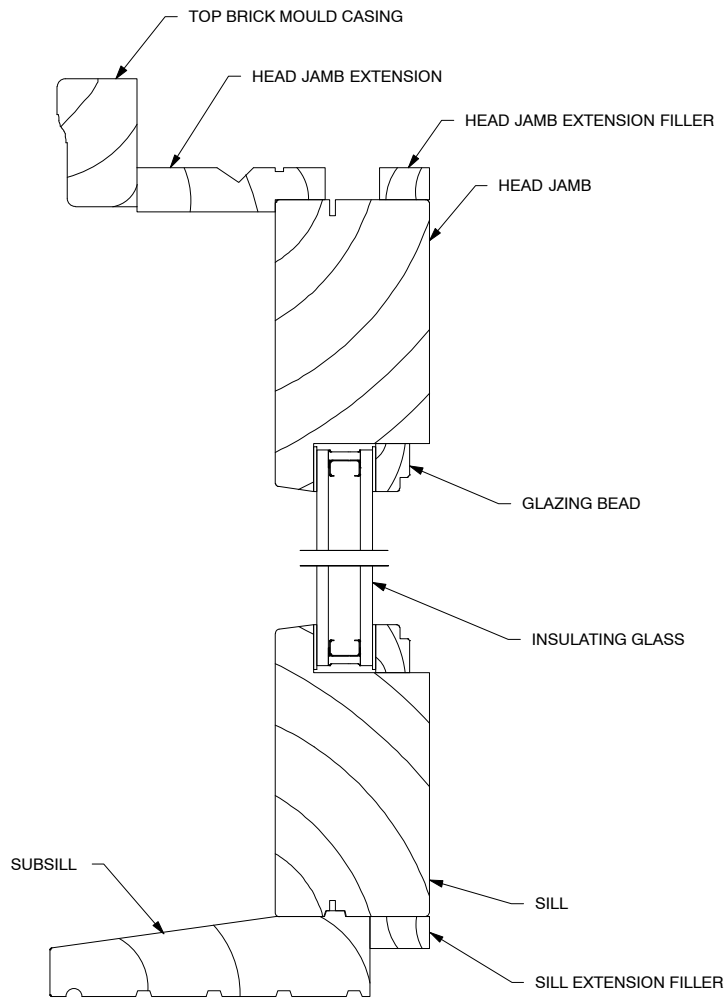
**Jamb
Detail**



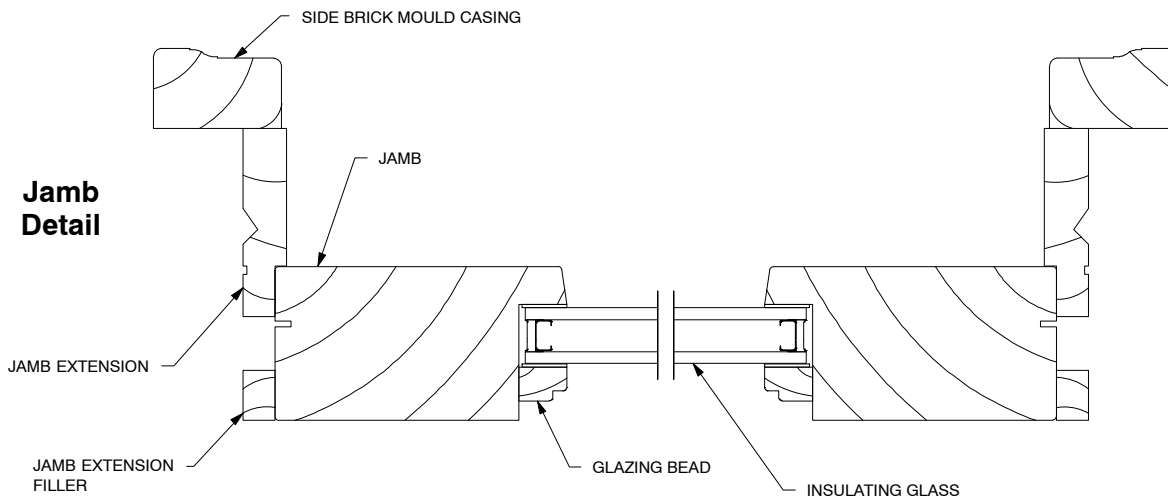
NOTE: Not to scale; specifications subject to change without notice.

Ultimate Wood Direct Glaze Tilt Turn Stationary 4 9/16

Head Jamb and Sill Detail



Jamb Detail

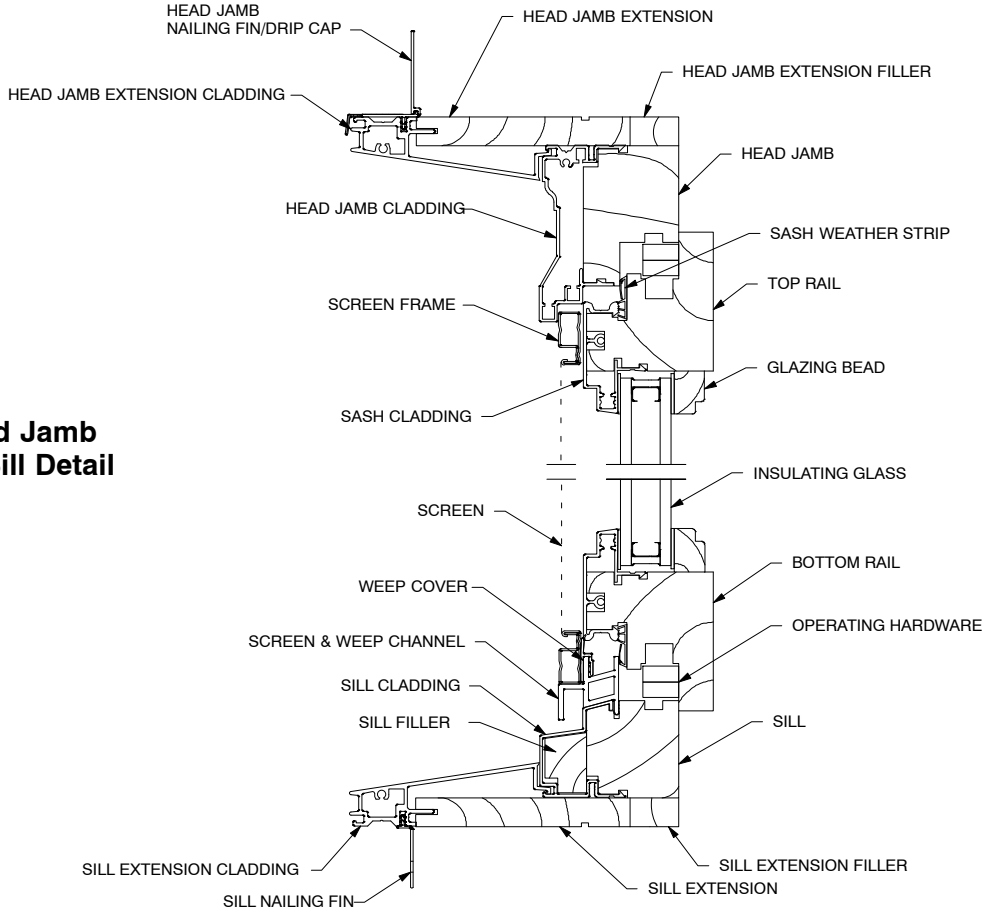


NOTE: Not to scale; specifications subject to change without notice.

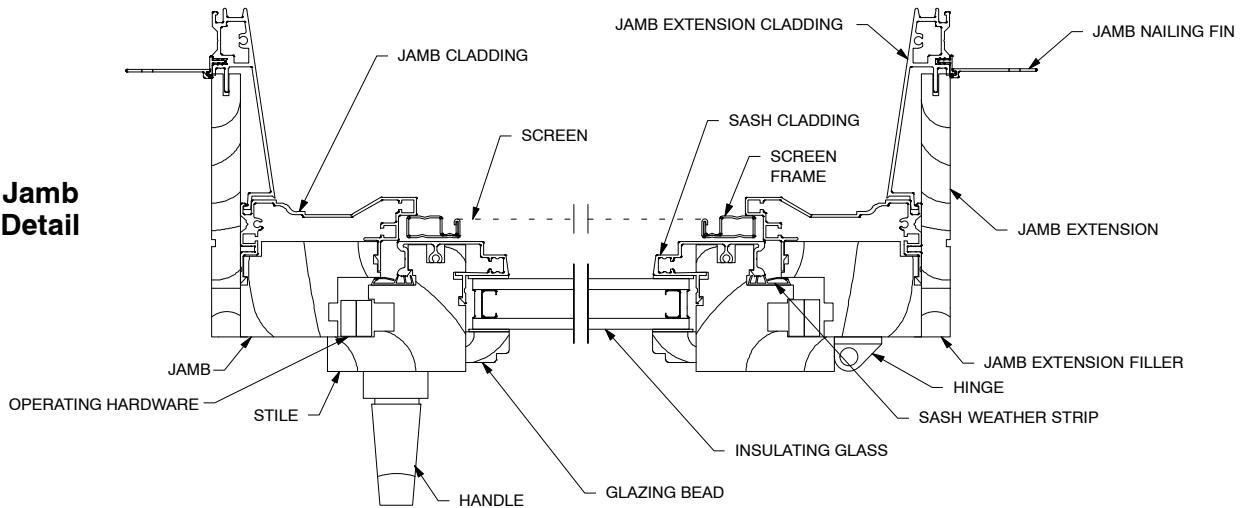
**Ultimate Tilt Turn 4 9/16
Ultimate Casement Inswing 4 9/16**

NOTE: Hopper part identification is the same with the exception of handle location.

**Head Jamb
and Sill Detail**



**Jamb
Detail**

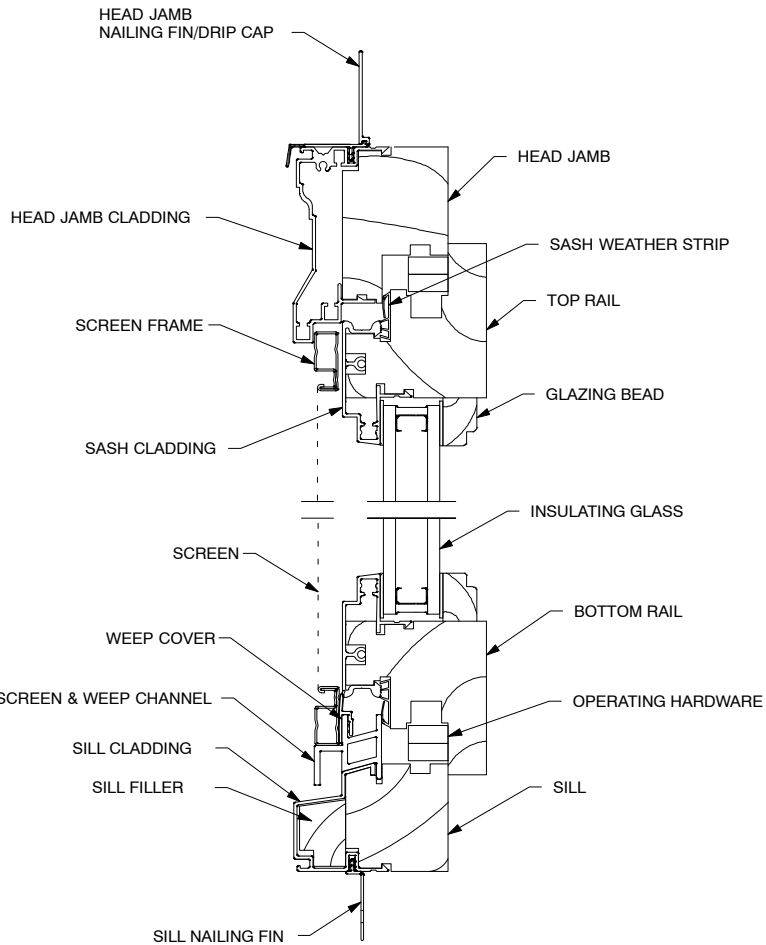


NOTE: Not to scale; specifications subject to change without notice.

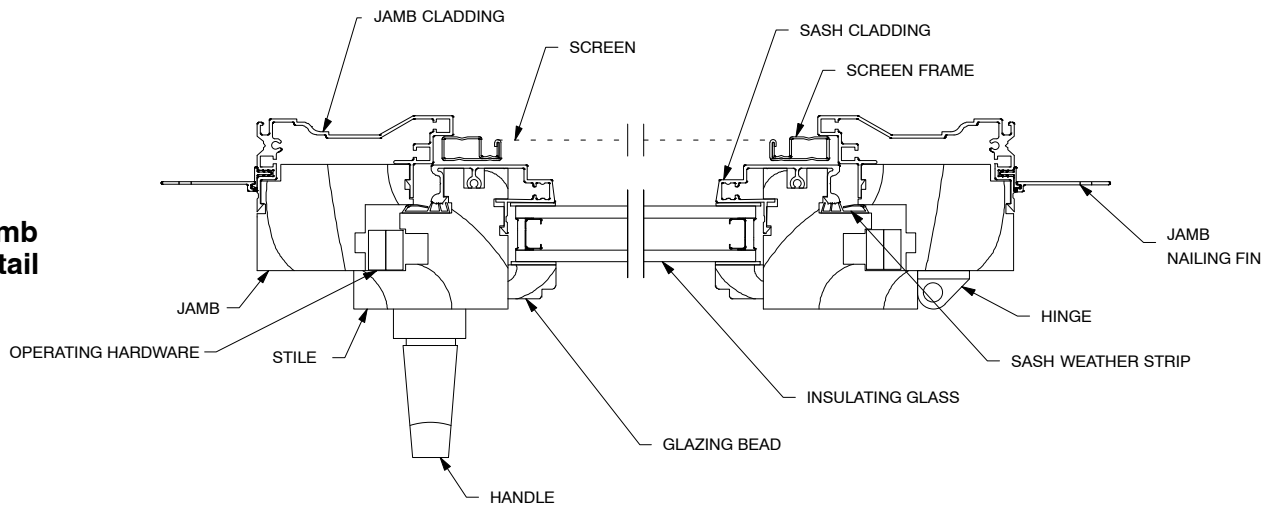
**Ultimate Tilt Turn
Ultimate Casement Inswing**

NOTE: Hopper part identification is the same with the exception of handle location.

**Head Jamb
and Sill Detail**



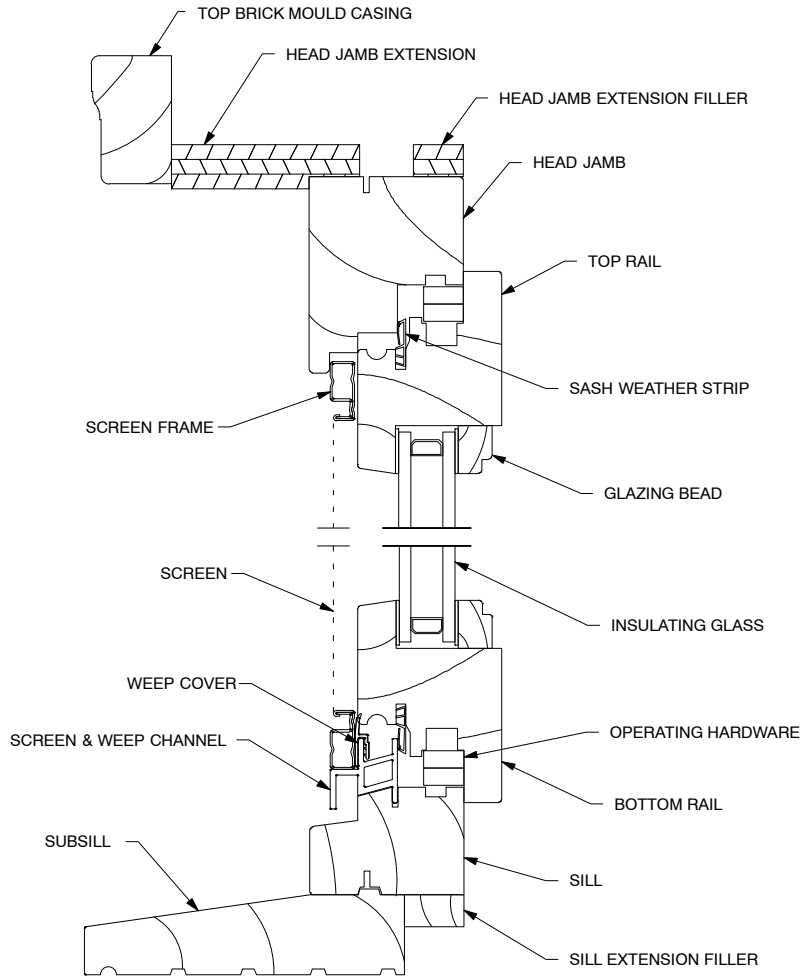
**Jamb
Detail**



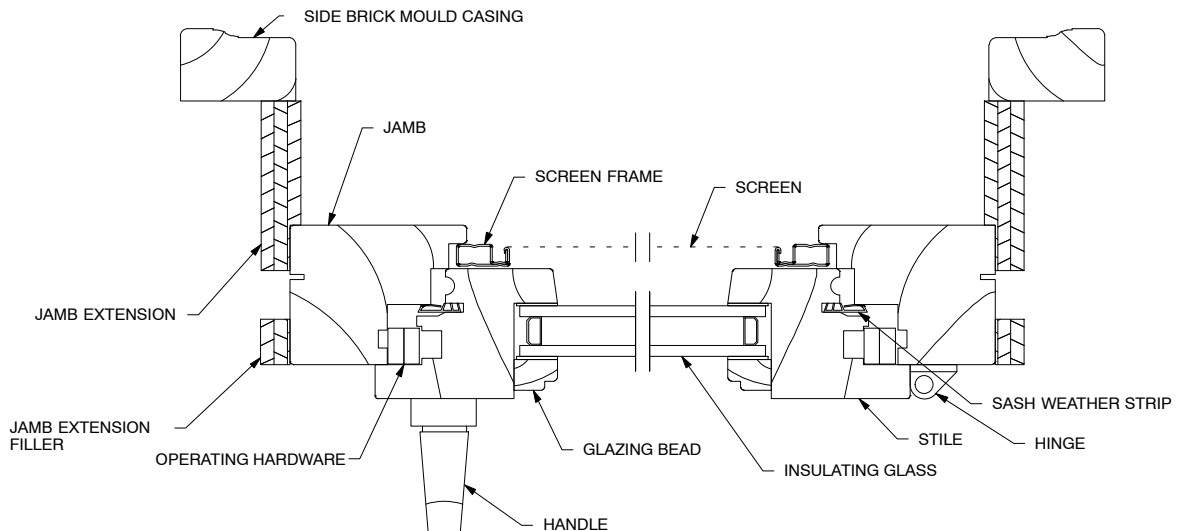
NOTE: Not to scale; specifications subject to change without notice.

Ultimate Wood Tilt Turn Round Top 4 9/16
Ultimate Wood Tilt Turn Inswing Casement Round Top 4 9/16

Head Jamb and Sill Detail

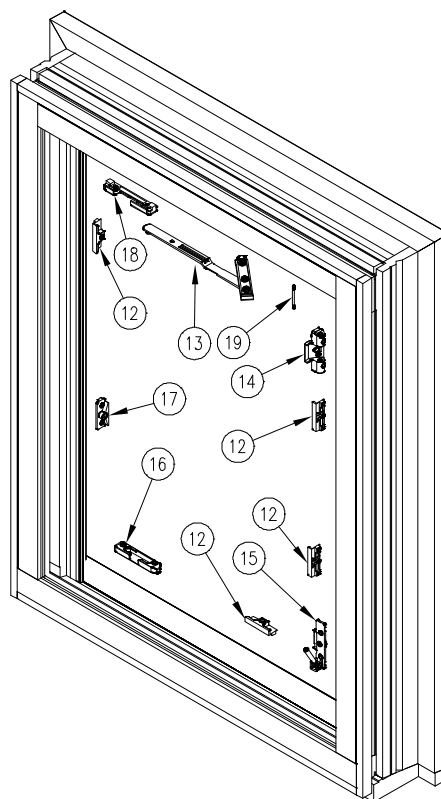
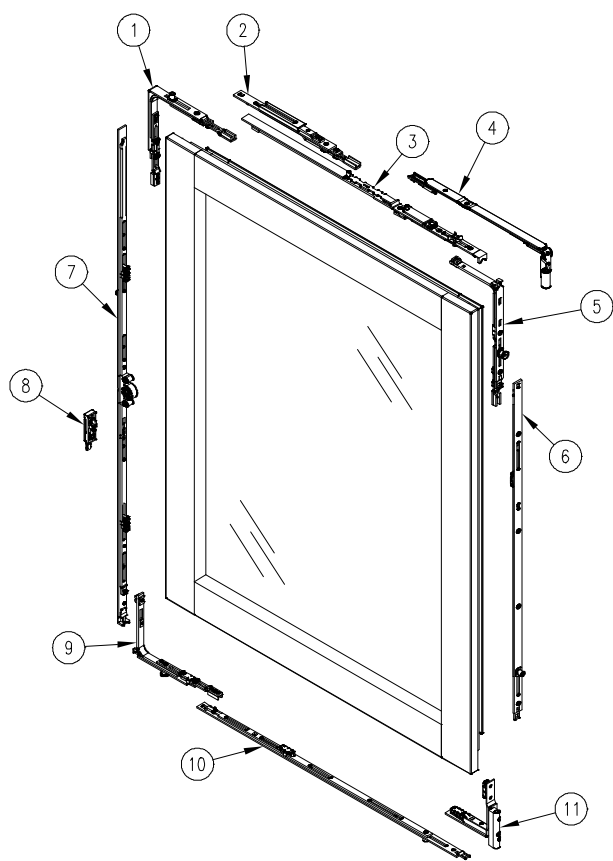


Jamb Detail



NOTE: Not to scale; specifications subject to change without notice.

**Tilt Turn (Wood Ultimate shown)
Frame and Sash Hardware Locations**



NOTE: Not to scale; specifications subject to change without notice.

- 1. Corner Drive E-Cam
- 2. Additional Scissor Stay-Sash
- 3. Sash Stay Guide
- 4. Sash Stay Arm
- 5. Corner Drive Stay
- 6. Center Lock, 600mm
- 7. Espagnolette

- 8. Mishandling Device Sash
- 9. Corner Drive Tilt-Turn
- 10. Center Lock, 600mm
- 11. Corner Hinge
- 12. Striker
- 13. Additional Scissor Stay-Frame
- 14. Sash Stay Bearing

- 15. Pivot Rest
- 16. Striker, Tilt-Turn
- 17. Mishandling Device Frame
- 18. Steel Security Striker
- 19. Pin, Sash Stay Bearing

When ordering replacement parts specify:

1. type of unit;
2. part number;
3. description.

NOTE: Always determine handing of parts from the exterior (hinged side). Since the vendor determines handing from the interior, some parts may be stamped with an "L" or "R." **For Marvin handing identification**, an "L" will mean right hand and an "R" will mean left hand. **DO NOT SPECIFY USING VENDOR METHOD.**

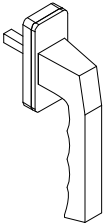
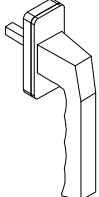

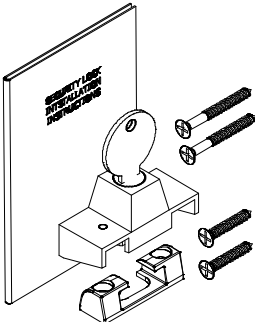
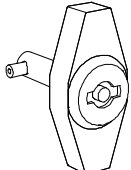
ILLUSTRATION NOT TO SCALE	DESCRIPTION	OPER./COLOR	PART NO.
	<p>Pistol Grip Handle All Tilt Turn products <i>Includes:</i> 1 - Pistol grip handle 1 - Installation package with #5x35mm machine screws</p>	<p>Bronze White Satin Chrome Brass</p>	<p>11900114 10815195 11900110 10143000</p>
<p>NOTE: Handle style may vary depending on current stock.</p> 	<p>Keyed Handle (with cylinder and keys) All Tilt Turn products <i>Includes:</i> 1 - Keyed handle with cylinder and 2 keys 1 - Installation package with #5x35mm machine screws</p>	<p>Bronze White</p>	<p>11900112 11900111</p>
	<p>Stationary Lock Handle Casement Inswing <i>Includes:</i> 1 - Stationary lock Handle</p>		<p>10820313</p>
	<p>Security Lock Kit Tilt Turn <i>Includes:</i> 1 - Security Lock/Keeper/Key Metal gray - 10811781, White - 10811782 2 - #8x1" SS flat head screws (11800805) 2 - #8x1 1/2" Phillips flat head screws (11808110) 1 - Installation instruction</p>	<p>Metal Gray White</p>	<p>11852600 11852601</p>
	<p>Stationary Lock Casement Inswing <i>Includes:</i> 1 - Stationary lock 2 - #8x35mm Phillips head machine screws</p>	<p>Bronze</p>	<p>10815124</p>

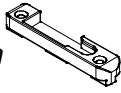

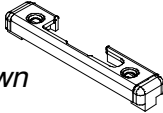
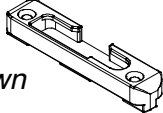
ILLUSTRATION NOT TO SCALE	DESCRIPTION	OPER./COLOR	PART NO.
<p>LH Shown</p> 	<p>Striker, Security Casement Inswing <i>Includes:</i> 1 - Security Striker 2 - #8x1 1/2" Phillips flat head screws (11808110)</p>	<p>LH RH</p>	<p>10811760 10811761</p>
	<p>Striker Tilt Turn, Hopper, Casement Inswing <i>Includes:</i> 1 - Striker 1 - #8x1 1/2" Phillips flat head screws (11808110)</p>		<p>10811701</p>
<p>LH Shown</p> 	<p>Striker, Steel Security Tilt Turn, Casement Inswing <i>Includes:</i> 1 - Steel Security Striker 2 - #8x1 1/2" Phillips flat head screws (11808110)</p>	<p>LH RH</p>	<p>10811767 10811768</p>
<p>LH Shown</p> 	<p>Striker, Tilt-Turn Tilt Turn <i>Includes:</i> 1 - Tilt-Turn Striker 2 - #8x1 1/2" Phillips flat head screws (11808110)</p>	<p>LH RH</p>	<p>10811746 10811747</p>

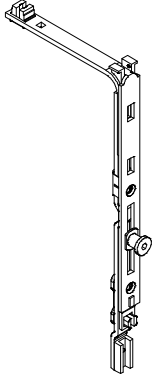
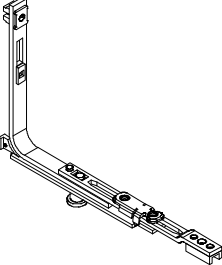
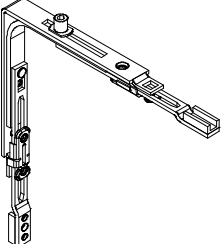
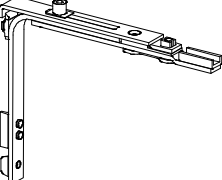
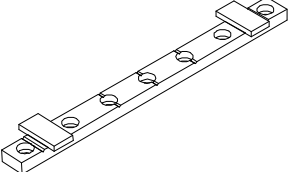
ILLUSTRATION NOT TO SCALE	DESCRIPTION	OPER./ COLOR	PART NO.
	<p>Corner Drive, Stay Tilt Turn <i>Includes:</i> 1 – Corner Drive, Stay 2 – #6x1 1/2" Phillips flat head screws (11800103)</p>		10811714
	<p>Corner Drive, Tilt-Turn Tilt Turn, Casement Inswing <i>Includes:</i> 1 – Corner Drive Tilt-Turn 1 – #6x1 1/2" Phillips flat head screws (11800103)</p>		10811713
	<p>Corner Drive, E-Cam Tilt Turn, Hopper, Casement Inswing <i>Includes:</i> 1 – Corner Drive, E-Cam 2 – #6x1 1/2" Phillips flat head screws (11800103)</p>		10811700
	<p>Corner Drive, Special Tilt Turn, Hopper, Casement Inswing <i>Includes:</i> 1 – Corner Drive, Special 2 – #6x1 1/2" Phillips flat head screws (11800103)</p>		10811759
	<p>Groove Packer/Spacer Tilt Turn, Hopper, Casement Inswing K606A81</p>		10815171



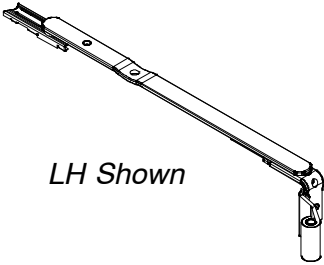
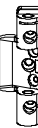

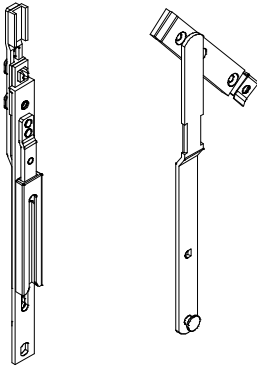
ILLUSTRATION NOT TO SCALE	DESCRIPTION	OPER.	PART NO.
	<p>Mishandling Device, Frame Tilt Turn, Casement Inswing <i>Includes:</i> 1 - Mishandling Device, Frame 2 - #8x1 1/2" Phillips flat head screws (11808110)</p>		10811744
	<p>Mishandling Device, Sash Tilt Turn, Casement Inswing <i>Includes:</i> 1 - Mishandling Device Sash 1 - #6x1 1/2" Phillips flat head screws (11808103)</p>		10811745
 <p>LH Shown</p>	<p>Arm, Sash Stay Tilt Turn <i>Includes:</i> 1 - Sash Stay Arm</p>	<p>290-410, 150mm LH 290-410, 150mm RH 411-600, 250mm LH 411-600, 250mm RH 601-800, 350mm LH 601-800, 350mm RH 801-1400, 500mm LH 801-1400, 500mm RH</p>	<p>10811715 10811716 10811717 10811718 10811719 10811720 10811721 10811722</p>
	<p>Bearing, Sash Stay Tilt Turn, Casement Inswing <i>Includes:</i> 1 - Bearing 3 - #8x1 1/2" Phillips flat head screws (11808110)</p>		10811742
	<p>Pin, Sash Stay Bearing Tilt Turn, Casement Inswing <i>Includes:</i> 1 - Sash Stay Bearing Pin</p>		10811743
	<p>Additional Scissor Stay* Tilt Turn (sash and frame) <i>Includes:</i> 1 - Additional Scissor Stay (2 piece) 2 - #6x1 1/2" Phillips flat head screws (11800103) 2 - #8x1 1/2" Phillips flat head screws (11808110)</p> <p>* Unit must have 36" minimum width</p>		10811769

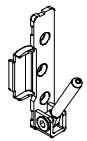
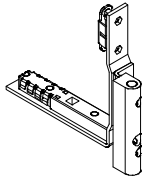
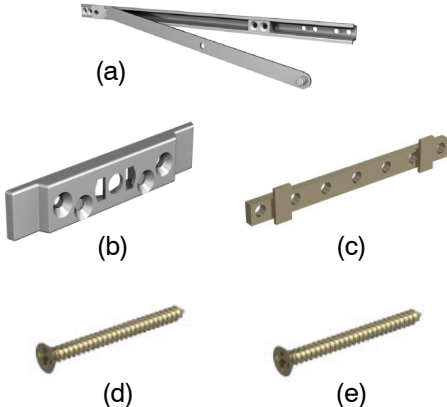
ILLUSTRATION NOT TO SCALE	DESCRIPTION	OPER.	PART NO.
<p>LH Shown</p> 	<p>Pivot Rest Tilt Turn, Casement Inswing LH or RH Corner <i>Includes:</i> 1 - Pivot Rest 3 - #8x1 1/2" Phillips flat head screws (11808110)</p>	<p>LH RH</p>	<p>10811752 10811753</p>
<p>LH Shown</p> 	<p>Hinge Tilt Turn, Casement Inswing LH or RH Corner <i>Includes:</i> 1 - Hinge 6 - #6x1 1/2" Phillips flat head screws (11800103)</p>	<p>LH RH</p>	<p>10811754 10811755</p>
	<p>Turn Restrictor Field Applied Kit Tilt Turn, Casement Inswing <i>Includes:</i> 1 - Turn Restrictor 335mm (10811774) (a) 1 - Bearing (10811775) (b) 1 - Groove Packer (10815171) (c) 4 - #6 x 1 1/2" Phillips flat head screws (11800103) (d) 2 - #8 x 1 1/2" Phillips flat head screws (11808110) (e) 1 - Instruction</p> <p>NOTE: This kit is for products with a minimum sash OSM width of 25 1/2" (648mm) AND built after 5/22/2006.</p>		<p>11852602</p>



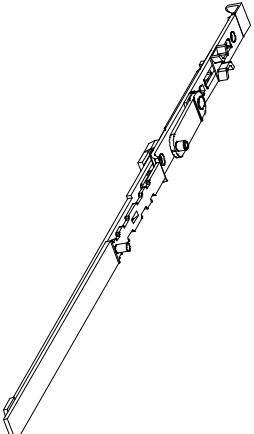
ILLUSTRATION NOT TO SCALE	DESCRIPTION	LENGTH	PART NO.
	<p>Espagnolette Tilt Turn, Casement Inswing <i>Includes:</i> 1 - Espagnolette</p>	<p>Sash O.M. Height 12 7/16"–20 5/16" 10811723 20 3/8"–25 1/16" 10811724 25 1/8"–32 15/16" 10811725 33"–40 13/16" 10811726 40 7/8"–48 11/16" 10811727 48 3/4"–56 9/16" 10811728 56 5/8"–64 7/16" 10811729 64 1/2"–72 5/16" 10811730 72 3/8"–80 3/16" 10811731 80 1/4"–88 1/16" 10811732 88 1/8"–95 15/16" 10811733</p>	
	<p>Espagnolette, Centered Handle Tilt Turn, Hopper, Casement Inswing <i>Includes:</i> 1 - Espagnolette</p>	<p>Sash O.M. Height 13 5/8"–19 1/8" 10811702 19 1/4"–25 7/8" 10811703 25 7/8"–32 15/16" 10811704 33"–48 11/16" 10811705 48 3/4"–64 7/16" 10811706 64 1/2"–80 3/16" 10811707 80 1/4"–95 15/16" 10811708</p>	
	<p>Guide, Sash Stay Tilt Turn <i>Includes:</i> 1 - Sash Stay Guide</p>	<p>Sash O.M. Width 12 7/8"–17 9/16" 10811734 17 5/8"–25 1/16" 10811735 25 1/8"–32 15/16" 10811736 33"–40 13/16" 10811737 40 7/8"–48 11/16" 10811738 48 3/4"–56 9/16" 10811739</p>	


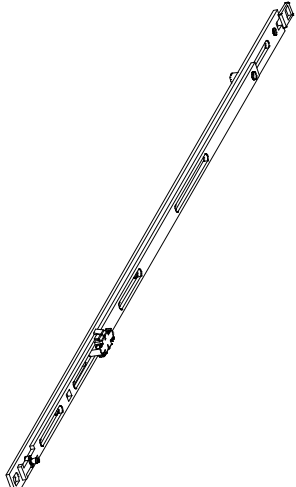
ILLUSTRATION NOT TO SCALE	DESCRIPTION	COLOR	PART NO.
	<p>Espagnolette Extension Tilt Turn, Hopper, Casement Inswing <i>Includes:</i> 1 – Extension</p> <p>200mm 200mm w/Cam 400mm w/Cam 270mm (croppable)</p>		<p>10811771 10811772 10811773 10811770</p>
	<p>Center Lock Tilt Turn, Casement Inswing <i>Includes:</i> 1 – Center Lock</p> <p>600mm 600mm w/connector</p>		<p>10811750 10811751</p>

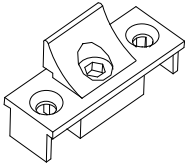
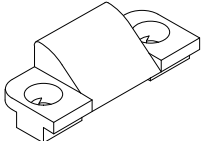
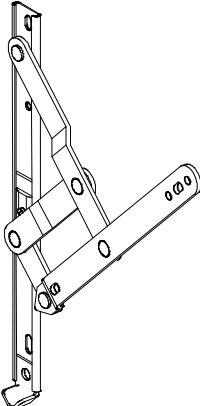
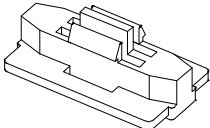
ILLUSTRATION NOT TO SCALE	DESCRIPTION	LENGTH	PART NO.
	<p>Snubber (Sash) Hopper 872833 <i>Includes:</i> 1 - Sash snubber 2 - #6x1 1/2" Phillips flathead wood screws (11808103)</p>		10815147
	<p>Snubber (Frame) Hopper 873267 <i>Includes:</i> 1 - Frame snubber 2 - #8x1 1/2" Phillips flathead wood screws (11808110)</p>		10815148
	<p>Hinge, Stainless Steel Hopper</p>	<p>Sash OM Height 10" 13 3/16" - 19 3/16" 12" 19 1/4" - 25 3/16" 16" 25 1/4" - 37 3/16" 20" 37 1/4" - 52 3/16" 24" 52 1/4" - 53 3/16" 28" 55 1/4" - 59 3/16"</p>	<p>10814431 10814432 10814433 10814434 10814435 10814436</p>
	<p>Restrictor, 90° Travel Hopper, Casement Inswing <i>Includes:</i> 1 - Restrictor</p>		10811710

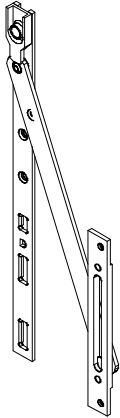
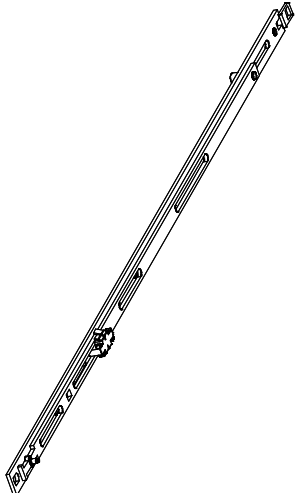
ILLUSTRATION NOT TO SCALE	DESCRIPTION	LENGTH	PART NO.
	<p>Tilt Stay Hopper <i>Includes:</i> 1 - Tilt Stay 2 - #6x1 1/2" Phillips flat head screws (11800103) 2 - #8x1 1/2" Phillips flat head screws (11808110)</p>		10811711
	<p>Center Lock Hopper <i>Includes:</i> 1 - Center Lock</p>	<p>200mm 400mm</p>	<p>10811776 10811709</p>

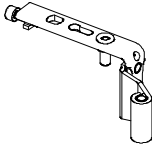
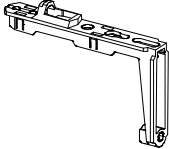
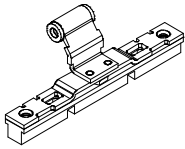
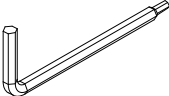
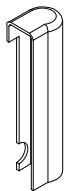
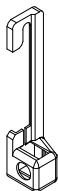
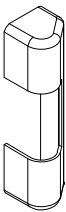
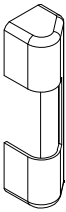
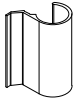
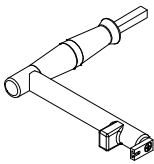
ILLUSTRATION NOT TO SCALE	DESCRIPTION	COLOR	PART NO.
 <p>LH Shown</p>	<p>Rebate Hinge, Arm Casement Inswing <i>Includes:</i> 1 – Rebate Hinge, Arm</p>	<p>LH RH</p>	<p>10811763 10811766</p>
	<p>Rebate Hinge, Sash Casement Inswing <i>Includes:</i> 1 – Rebate Hinge, Sash 3 – #6x1 1/2" Phillips flat head screws (11800103)</p>		<p>10811762</p>
	<p>Turn Only Rebate Hinge with Alignment Casement Inswing <i>Includes:</i> 1 – Turn Only Rebate Hinge 4 – #6x1 1/2" Phillips flat head screws (11800103)</p>		<p>10815174</p>
	<p>Allen Wrench P010A 24 5/32" hex wrench with recessed 3/32" end</p>		<p>10815357</p>

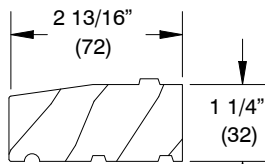
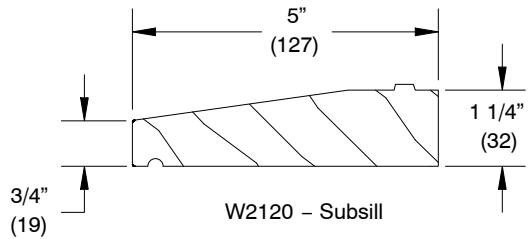
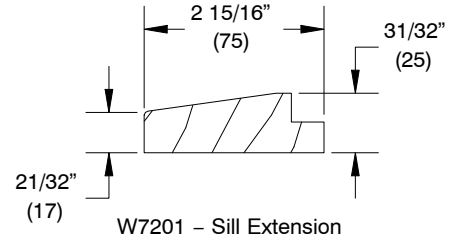
ILLUSTRATION NOT TO SCALE	DESCRIPTION	OPER./COLOR	PART NO.
 <p>Left hand shown</p>	<p>Vertical Bottom Hinge Cap (Sash) All Tilt Turn products <i>NOTE: Field applied snap-on cover.</i></p>	<p>RH White LH White RH Bronze LH Bronze</p>	<p>10815359 10815360 10815361 10815362</p>
 <p>Left hand shown</p>	<p>Bottom Hinge Cap (Frame) All Tilt Turn products <i>NOTE: Field applied snap-on cover.</i></p>	<p>RH White LH White RH Bronze LH Bronze</p>	<p>10815363 10815364 10815365 10815366</p>
	<p>Top and Center Hinge Cap (Frame) Tilt Turn, Hopper, Casement Inswing Overall width 2 3/8" (60) N391A0471 N391A0453 <i>NOTE: Field applied snap-on cover.</i></p>	<p>White Bronze</p>	<p>10815347 10815348</p>
	<p>Top Hinge Cap, Round Top (Frame) Tilt Turn Round Top Overall width 2 3/8" (60) N391A0671 N391A0653 <i>NOTE: Field applied snap-on cover.</i></p>	<p>White Bronze</p>	<p>10815277 10815278</p>
	<p>Top and Center Hinge Cap, Round Top (Sash) Tilt Turn Round Top Overall width 2 3/8" (60) N391A0571 N391A0553 <i>NOTE: Field applied snap-on cover.</i></p>	<p>White Bronze</p>	<p>10815345 10815346</p>
	<p>Top and Center Hinge (Frame) Pin Puller Tool All Tilt Turn products P010A30 <i>Can be used as a construction handle</i></p>		<p>10815358</p>

TO ORDER REPLACEMENT WOOD PARTS

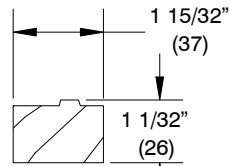
When ordering replacement wood parts specify:

1. profile number;
2. call number or rough opening;
3. length;
4. finish.

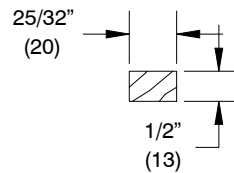
	Ultimate Wood	Ultimate
Subsill	W2120	---
Narrow Subsill	W2122	---
Cutback Subsill	W2124	---
Sill Extension	W7201	---
Sill Filler	---	W7202
Jamb Extension (exterior)	W7200	W7204
Jamb Extension (interior)	W8647	W8647
Jamb Extension Filler	W6100	---
Wood Glazing Bead - IG	W4102	W4102
Wood Glazing Bead - SG	W4106	W4106
Wood Glazing Bead - SG - ADL	W4100	W4100



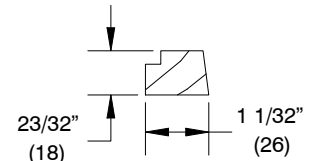
W2122 - Narrow Subsill



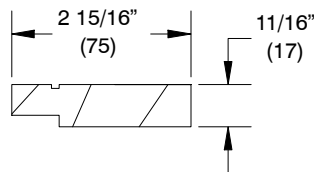
W2124 - Cutback Subsill



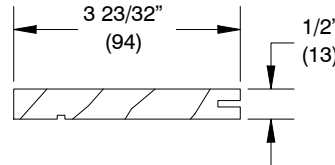
W6100 - Jamb Extension Filler



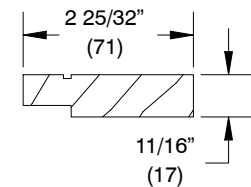
W7202 - Sill Filler



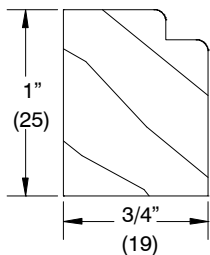
W7200 - Jamb Extension
(exterior Wood)



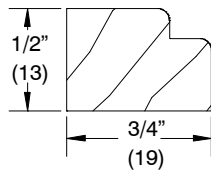
W7204 - Jamb Extension
(exterior Clad)



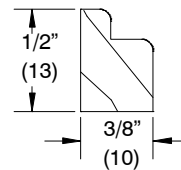
W8647 - Jamb Extension
(interior)



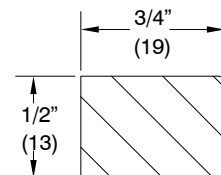
W4106 - Wood Glazing
Bead - SG



W4102 - Wood Glazing
Bead - IG



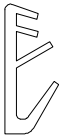

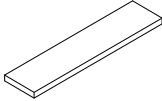
W4100 - Wood Glazing
Bead - SG - ADL



W11721 - Wood Glazing
Square - IG

When ordering replacement weather strip specify:

1. type of unit;
2. OM of sash measured from the interior;
3. part number;
4. description.

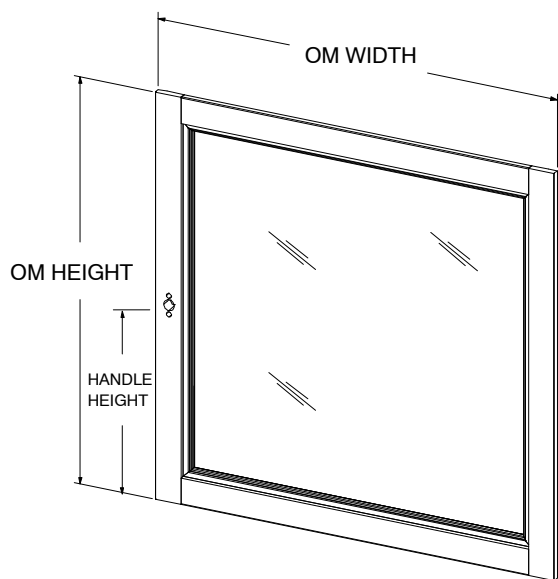
ILLUSTRATION <i>NOT TO SCALE</i>	DESCRIPTION	COLOR	PART NUMBER
	Gasket Weather Strip Specify length	Black	11900100
	Screen and Weep Channel V469 <i>Attached with #6x3/4" square drive truss head screws (11800675)</i>	White Bronze Beige	15620000 15630000 15620001
	Weep Cover V470	Bronze Stone White Beige	15632099 15631299 15631199
	Neoprene Setting Block for Reglazing 5/32" x 15/16" x 4"		10500300

ORDERING REPLACEMENT OPERATOR OR STATIONARY SASH FOR TILT TURN, HOPPER AND INSWING CASEMENT

NOTE: Post 6/06/2006

To order replacement operating or stationary sash specify:

1. size (call number or OM of sash);
2. operation and handing;
3. glazing;
4. finish;
5. handle height (if other than standard).
6. Interior wood glazing bead profile.



Interior View

Sash OM Height Measure from the Interior		Handle Height
12 7/16"	– 20 5/16"	5 7/16"
20 3/8"	– 25 1/16"	7 13/32"
25 1/8"	– 32 15/16"	11 1/16"
33"	– 40 13/16"	16 31/32"
40 7/8"	– 48 11/16"	20 29/32"
48 3/4"	– 56 9/16"	22 7/8"
56 5/8"	– 64 7/16"	22 7/8"
64 1/2"	– 72 5/16"	22 7/8"
72 3/8"	– 80 3/16"	40 3/32"
80 1/4"	– 88 1/16"	40 3/32"
88 1/8"	– 95 15/16"	40 3/32"

Note: Handle height is measured from the bottom of the sash to the center of the espagnolette mechanism.

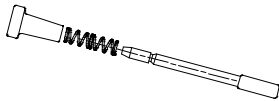

ORDERING REPLACEMENT SCREENS FOR TILT TURN, HOPPER AND INSWING CASEMENT

Full screens are standard with aluminum surround and Hi-Transparency fiberglass mesh. Aluminum mesh is available as an option in black, charcoal, bright aluminum, or bright bronze. Determine the outside measurement of the existing screen. Surrounds are available in all standard and select colors.

When ordering replacement screen specify:

<ol style="list-style-type: none"> 1. size; If there is no existing screen to obtain the OM of the panel, determine the size of the EP by using the conversion chart below. The daylight opening is the measurement of the visible glass. 2. color of surround; 3. glass type(if other than standard) 	<p>Screen Sizes for Tilt-Turn, Hopper and Inswing Casement Manufactured between 1984-Present</p> <p>Daylight Opening to OM of Screen</p> <p>Daylight Width + 3 1/2" (89) = OM Width of Screen Daylight Height + 4 5/16" (110) = OM Height of Screen</p> <p>NOTE: OM should not include lip. NOTE: Screens feature plunger type mounting system.</p>
--	--

TILT TURN, HOPPER AND INSWING CASEMENT SCREEN PARTS 2-27-2012 TO PRESENT

ILLUSTRATION <i>NOT TO SCALE</i>	DESCRIPTION	COLOR	PART NO.
	<p>Plunger and Spring Assembly Used 2/2012 to present Includes: 1 - Plunger bolt (metal) 1 - Plunger bolt cap (black) 1 - Plunger bolt spring</p>	Black	10500706
	<p>Screen Mounting Receptacle M111</p>	White	05070411

ORDERING REPLACEMENT ENERGY PANELS FOR TILT TURN, HOPPER AND INSWING CASEMENT

If you are replacing an existing energy panel, determine the outside measurement of the existing energy panel. If there is no existing energy panel from which to obtain the OM of the panel, determine the size of the energy panel by using the conversion below. The daylight opening is the measurement of the visible glass. Energy panels are available in a white aluminum surround (interior panel).

NOTE: Interior energy panel surround changed from vinyl to metal in 1994. Replacement vinyl parts are not available. Metal surround models are compatible with all Tilt Turn, Hopper and Inswing Casement units.

When ordering energy panels specify type of unit, size and glass type.

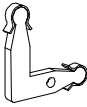

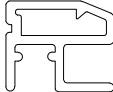
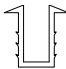
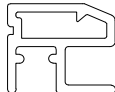
**Interior Energy Panels for Tilt Turn,
Hopper and Inswing Casement
Manufactured between 1984 – Present**

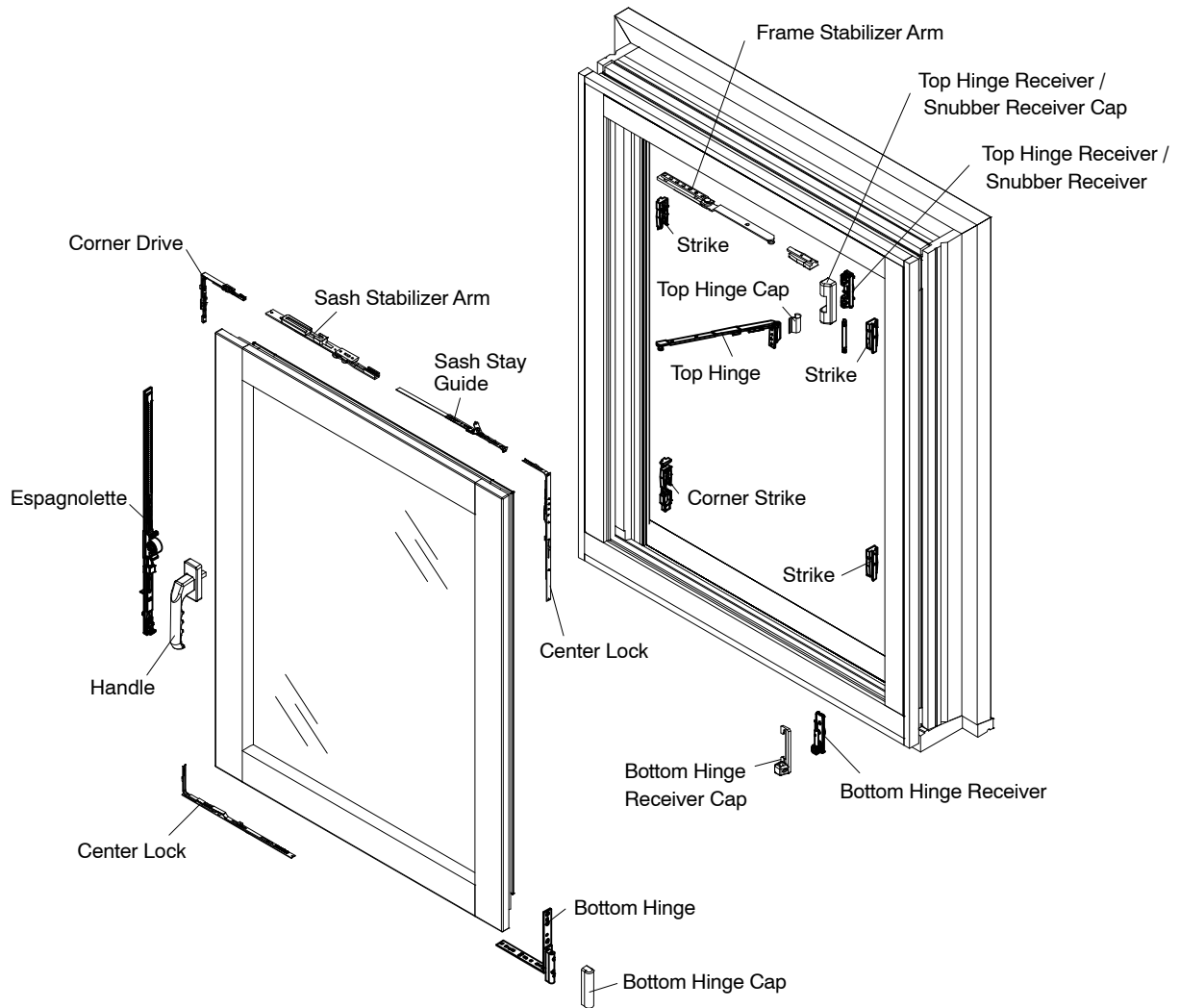
Daylight Opening to OM of IEP

Daylight Width + 1 3/8" = OM Width of IEP
Daylight Height + 1 3/8" = OM Height of IEP

TILT TURN, HOPPER AND INSWING CASEMENT ENERGY PANEL PARTS

When ordering energy panels parts specify quantity, description of part including color and part number.

ILLUSTRATION <i>NOT TO SCALE</i>	DESCRIPTION	COLOR	PART NO.
	Corner Key, Interior Energy Panel M950		15470016
	Weatherstrip, Interior Energy Panel M0412 Specify Length	White	15610097
	Interior Energy Panel Surround, Aluminum Profile A149 For 1/8" glass and 3/16" glass Available in 150" (3810) length Note: Must use V235 for 1/8" glass	White	18600899
	Spline V235 For 1/8" glass only Specify Length	White	15221211
	Interior Energy Panel Surround, Aluminum Profile A163 For 3/16" featherweight laminated glass Available in 150" (3810) length	White	18600898



When ordering replacement Tilt Turn parts specify:

1. type of unit;
2. part number;
3. description.

In most cases, Tilt Turn hardware will feature model numbers stamped on individual parts. The fifth character of the model number indicates the series (example – M490B32). The newest series hardware is sent for replacement. All model numbers are for reference only, Marvin part numbers are required when ordering replacement parts.

NOTE: Always determine handing of parts with Marvin standard, as viewed from the exterior (Hinged side). Vendor numbers provided view handing from interior. **DO NOT SPECIFY USING VENDOR METHOD.**

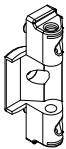

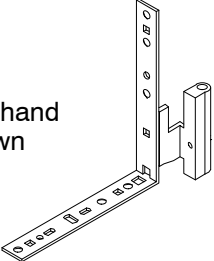
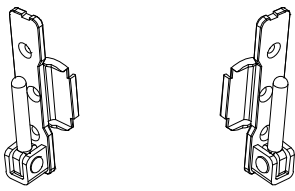
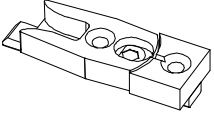
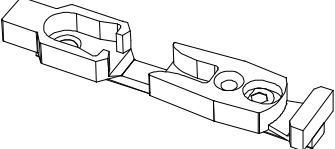
ILLUSTRATION NOT TO SCALE	DESCRIPTION	OPER./ COLOR	PART NO.
	<p>Top Hinge Receiver (Frame) Tilt Turn, Casement Inswing N390A302 <i>Includes:</i> 1 – Top hinge receiver 3 – #8x1 1/2" Phillips flathead wood screws</p>		10815266
	<p>Top Hinge Receiver Pin (Frame) Tilt Turn, Casement Inswing, Round Top F710D52</p>		10815267
<p>Left hand shown</p> 	<p>Bottom Hinge (Sash) Tilt Turn, Casement Inswing, Round Top N512A0310R N512A0310L <i>Includes:</i> 1 – Bottom hinge 6 – #6x1 1/2" Phillips flathead wood screws 1 – #8x1 1/2" Phillips flathead wood screws</p>	LH RH	10815268 10815269
 <p>Right Hand Left Hand</p>	<p>Bottom Hinge Receiver (Frame) Tilt Turn, Casement Inswing, Round Top N512A0301R N512A0301L <i>Includes:</i> 1 – Bottom hinge receiver 3 – #8x1 1/2" Phillips flathead wood screws</p>	LH RH	10815270 10815271
	<p>Strike Tilt Turn, Hopper, Casement Inswing, Round Top R604C51 <i>Includes:</i> 1 – Strike 2 – #8x1 1/2" Phillips flathead wood screws</p>		10815112
	<p>Strike, Corner Tilt Turn, Casement Inswing, Round Top R604C52 <i>Includes:</i> 1 – Strike 2 – #8x1 1/2" Phillips flathead wood screws</p>		10815111

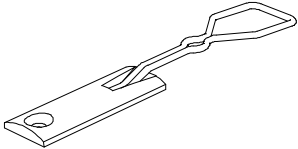
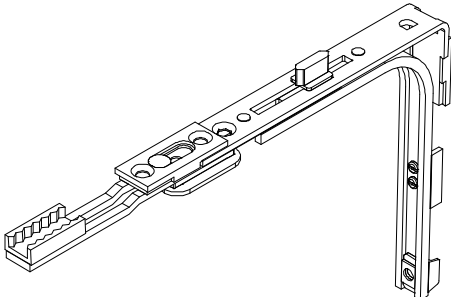
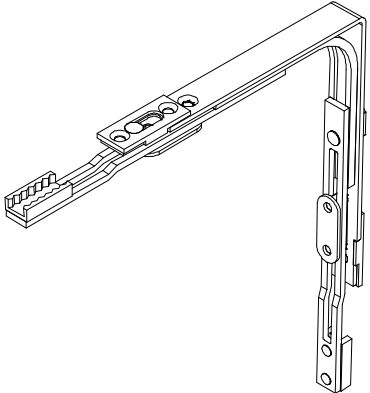
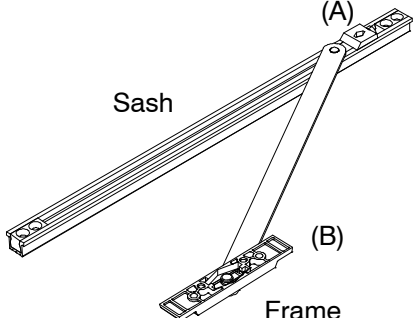
ILLUSTRATION NOT TO SCALE	DESCRIPTION	OPER./ COLOR	PART NO.
	<p>Tilt Position Clip Tilt Turn F400C20</p>		10815197
	<p>Corner Drive R600A01 Tilt Turn <i>Includes:</i> 1 – Corner drive 4 – #6 x 1 1/2" Phillips flathead wood screws</p> <p>NOTE: For units with sash OM of 14 11/16" – 18 21/32".</p>		10815040
	<p>Corner Drive Tilt Turn R600A11 <i>Includes:</i> 1 – Corner drive 6 – #6 x 1 1/2" Phillips flathead wood screws</p> <p>NOTE: For units with sash OM of 18 11/16" and above.</p>		10815039
 <p>Sash</p> <p>Frame</p> <p>(A)</p> <p>(B)</p> <p>(This item is for limiting the inswing position.)</p>	<p>Friction Limiter Tilt Turn, Casement Inswing</p> <p>NOTE: Both Sash (A) and Frame (B) parts must be ordered for a complete assembly. Spacer (10815171) is used with friction assembly and should also be ordered.</p> <p>Sash (A) K011B204 Used when daylight opening of the unit is 13 7/8" to 15".</p> <p>K011A25 Used when daylight opening of the unit is over 15".</p> <p>Frame (B) Friction Bearing Stop KO11A11</p> <p><i>Includes:</i> 1 – Friction limiter assembly 4 – #8 x 1 1/2" Phillips flathead wood screws (frame) 4 – #6 x 1 1/2" Phillips flathead wood screws (sash)</p>		<p>(A) through 15" 10815302</p> <p>(A) over 15" 10815169</p> <p>(B) 10815168</p>

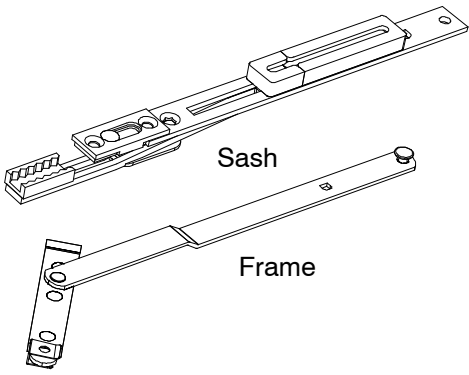
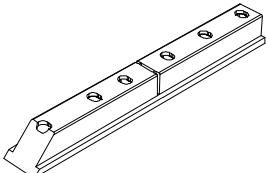
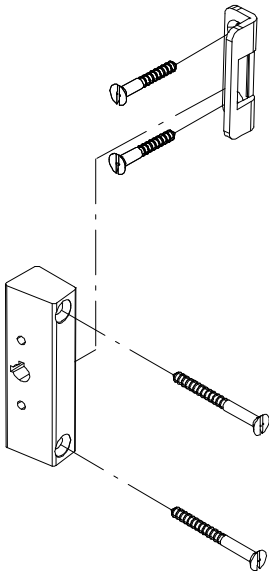
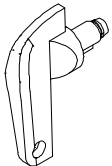
ILLUSTRATION NOT TO SCALE	DESCRIPTION	OPER./ COLOR	PART NO.
 <p>(This item is for limiting the tilt position.)</p>	<p>Stabilizer Arm Assembly Tilt Turn F502A70 <i>Includes:</i> 1 – Stabilizer arm assembly 4 – #6 x 1 1/2" Phillips flathead wood screws (sash) 3 – #8 x 1 1/2" Phillips flathead wood screws (frame)</p>		10815175
	<p>Spacer Tilt Turn, Casement Inswing, Round Top R600A43</p>		10815095
	<p>Security Lock Tilt Turn, Casement Inswing M811A29 M811A20 <i>Includes:</i> 1 – Lock with strike 2 – #7x1" slotted flathead screws (strike) 2 – #7x1 1/2" slotted flathead screws (lock)</p>	White ZYD	10815120 10815125
	<p>Security Key Tilt Turn, Casement Inswing</p>	White ZYD	10815127 10815126

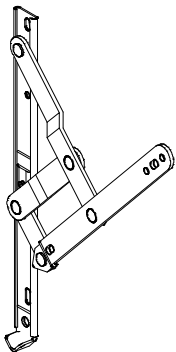
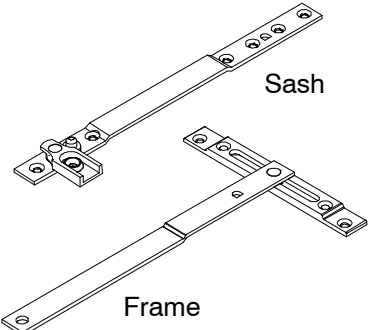
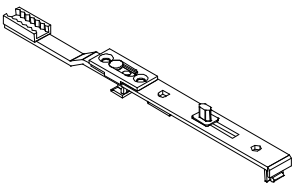
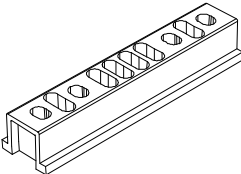
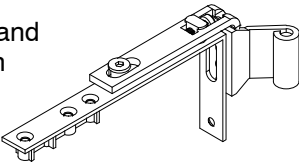
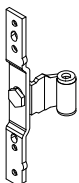
ILLUSTRATION NOT TO SCALE	DESCRIPTION	OPER./COLOR	PART NO.
	<p>Hinge Hopper</p> <p style="text-align: right;">Hinge Height</p> <p style="text-align: right;">10" 12" 16" 20" 24" 28"</p>	<p>Sash O.M. Height</p> <p style="text-align: right;">13 3/16"–19 3/16" 19 1/4"–25 3/16" 25 1/4"–37 3/16" 37 1/4"–52 3/16" 52 1/4"–55 3/16" 55 1/4"–59 3/16"</p>	<p>Check for availability</p>
	<p>Sash Limiter Assembly</p> <p>Hopper F010D10</p> <p><i>Includes:</i></p> <p>1 – Sash limiter assembly 4 – #6x1 1/2" Phillips flathead wood screws (sash) 2 – #8x1 1/2" Phillips flathead wood screws (frame)</p>		<p>10815176</p>
	<p>Top Corner Connector</p> <p>Hopper, Casement Inswing M720A11</p> <p><i>Includes:</i></p> <p>1 – Top corner connector 3 – #6x1 1/2" Phillips flathead wood screws</p>		<p>10815202</p>
	<p>Shim</p> <p>Hopper, Casement Inswing M490A38</p>		<p>10815157</p>
<p>Left hand shown</p> 	<p>Top Hinge (Sash)</p> <p>Casement Inswing N612A0320R N612A0320L</p> <p><i>Includes:</i></p> <p>1 – Top hinge 5 – #6x1 1/2" Phillips flathead wood screws</p>	<p>LH RH</p>	<p>10815274 10815275</p>
	<p>Center Hinge (Sash)</p> <p>Casement Inswing N612A0360</p> <p><i>Includes:</i></p> <p>2 – M490A38 spacers</p>		<p>10815276</p>

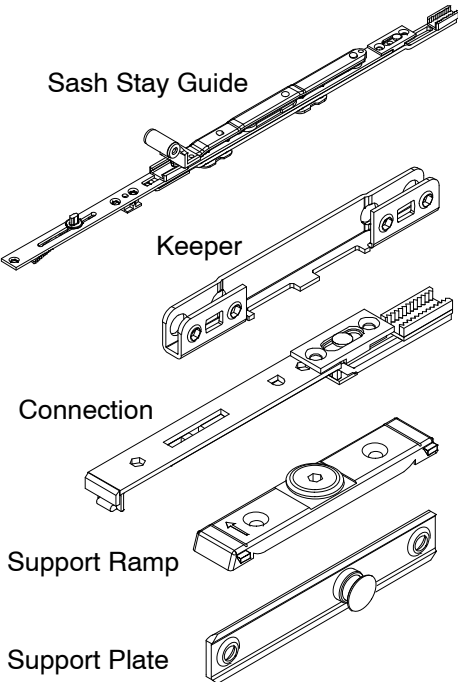
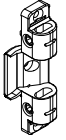
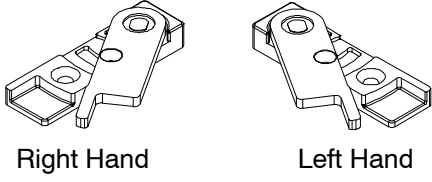
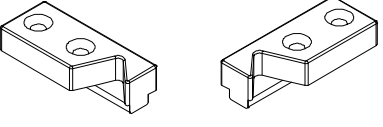
ILLUSTRATION NOT TO SCALE	DESCRIPTION	OPER./COLOR	PART NO.
 <p>Sash Stay Guide</p> <p>Keeper</p> <p>Connection</p> <p>Support Ramp</p> <p>Support Plate</p>	<p>Round Top Tilt Turn Hardware Round Top R608A08</p> <p><i>Includes:</i> 1 - Sash stay guide 1 - Keeper 1 - Connection 1 - Support ramp 1 - Support plate 13 - #6x1 1/2" Phillips flathead wood screws (sash stay guide and connection) 2 - #8x1 1/2" Phillips flathead wood screws (support ramp)</p> <p>NOTE: Individual parts not available as separate items.</p>		10815272
	<p>Top Hinge Receiver (Frame) Round Top N390A034</p> <p><i>Includes:</i> 1 - Top hinge receiver 3 - #8x1 1/2" Phillips flathead wood screws</p>		10815273
 <p>Right Hand</p> <p>Left Hand</p>	<p>Safety Device, Sash Round Top M803A00R M803A00L</p> <p><i>Includes:</i> 1 - Safety device 1 - #6 x 1 1/2" Phillips flathead wood screws</p>	LH RH	10815182 10815181
 <p>Right Hand</p> <p>Left Hand</p>	<p>Safety Device Spacer, Frame Round Top M802A95R M802A95L</p> <p><i>Includes:</i> 1 - Spacer 2 - #8 x 1 1/2" Phillips flathead wood screws</p>	LH RH	10815184 10815183

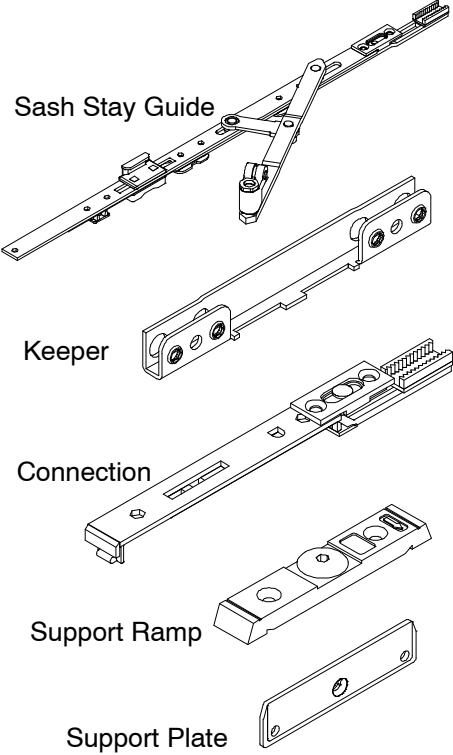
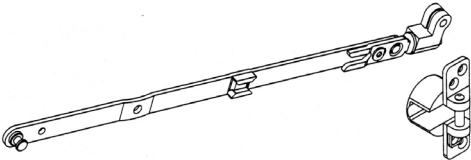
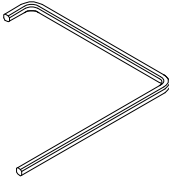
ILLUSTRATION NOT TO SCALE	DESCRIPTION	OPER./ COLOR	PART NO.
 <p>Sash Stay Guide</p> <p>Keeper</p> <p>Connection</p> <p>Support Ramp</p> <p>Support Plate</p>	<p>Round Top Tilt Turn Hardware Round Top R608C02</p> <p><i>Includes:</i> 1 - Sash stay guide 1 - Keeper 1 - Connection 1 - Support ramp 1 - Support plate 13 - #6x1 1/2" Phillips flathead wood screws (sash stay guide and connection) 2 - #8x1 1/2" Phillips flathead wood screws (support ramp)</p> <p>NOTE: Individual parts not available as separate items.</p>		<p>Check availability</p> <p>10815166</p>
	<p>Top Hinge, Complete (Frame) Round Top Sash OM width Measured from the interior</p> <p><i>Attached with #8x 1 1/2" Phillips flathead wood screws</i></p> <p>25 1/2" or less (F507B10) 25 17/32" - 33 3/8" (F507B20) 33 13/32" - 49 1/8" (X516B30) 49 5/32" - 64 7/8" (F507B40)</p>		<p>Check availability</p> <p>10815078 10815079 10815080 10815081</p>
	<p>4 mm Allen Wrench</p>		<p>10815231</p>

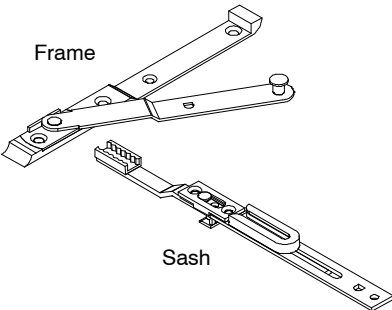
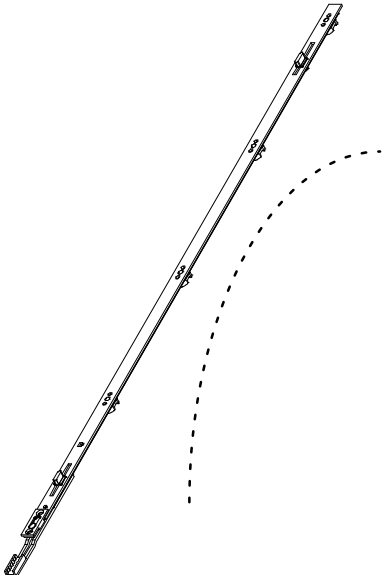
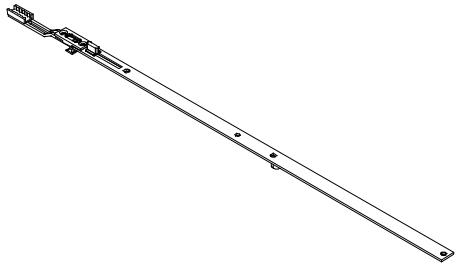
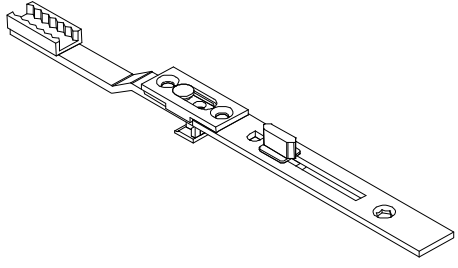
ILLUSTRATION NOT TO SCALE	DESCRIPTION	OPER./COLOR	PART NO.
 <p>Frame</p> <p>Sash</p>	<p>Round Top Stabilizer Arm Assembly Round Top R608C60</p> <p><i>Includes:</i> 1 - Stabilizer arm assembly 3 - #6x1 1/2" Phillips flathead wood screws (sash) 4 - #8x1 1/2" Phillips flathead wood screws (frame)</p>		10815223
	<p>Round Top Arch Lock Round Top R608A10</p> <p><i>Includes:</i> 1 - Arch lock 11 - #6x1 1/2" Phillips flathead wood screws</p> <p>NOTE: Frame must have 20" minimum radius for application. Lock must be formed to unit radius in the field.</p>		10815165
	<p>Extension and Lock Round Top R608B40</p> <p><i>Includes:</i> 1 - Extension and lock 4 - #6x1 1/2" Phillips flathead wood screws</p>		10815172
	<p>Round Top Upper Lock Round Top R608B20</p> <p><i>Includes:</i> 1 - Extension and lock 4 - #6x1 1/2" Phillips flathead wood screws</p> <p>NOTE: Frame must have less than 20" radius for application.</p>		10815164

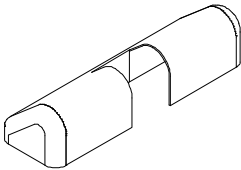
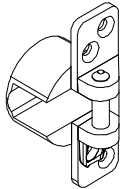
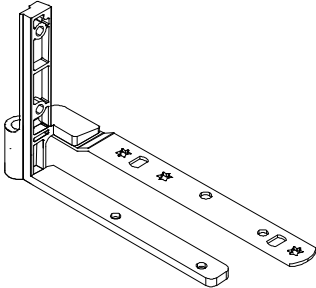
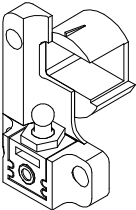
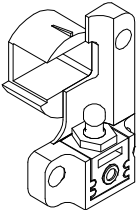
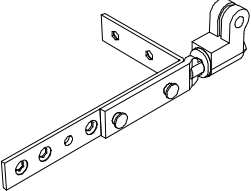
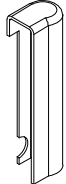

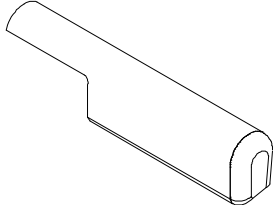
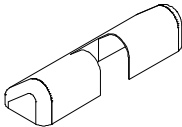
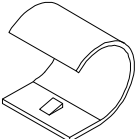
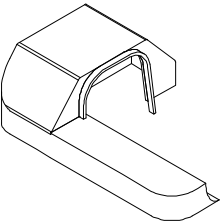
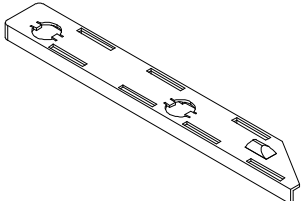
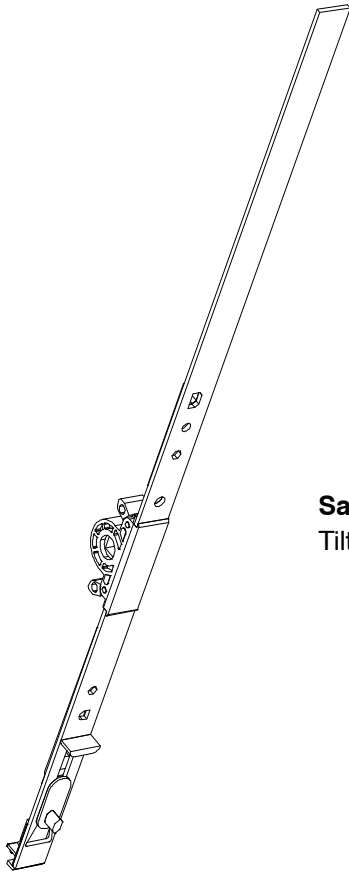
ILLUSTRATION NOT TO SCALE	DESCRIPTION	OPER./COLOR	PART NO.
	Top Hinge Cap (Frame) <i>Used up to 10/97</i> Overall width 2 13/16" (71)	White Brown	10815320 10815322
	Top Hinge Receiver (Frame) <i>Used up to 1/26/00</i> M490B32 <i>Includes:</i> 1 – Top hinge receiver 4 – #8x1 1/2" Phillips flathead wood screws		10815156
	Bottom Hinge (Sash) <i>Used up to 1/26/00</i> R600C61R R600C61L <i>Includes:</i> 1 – Bottom hinge 3 – #6x1 1/2" Phillips flathead wood screws 4 – #8x1 1/2" Phillips flathead wood screws	LH RH	10815215 10815217
 Right Hand  Left Hand	Bottom Hinge Receiver (Frame) <i>Used up to 1/26/00</i> R600B62R R600B62L <i>Includes:</i> 1 – Bottom hinge receiver 3 – #8x1 1/2" Phillips flathead wood screws	RH LH	10815218 No longer available
	Top Hinge (Sash) <i>Used up to 1/26/00</i> M490B31 <i>Includes:</i> 1 – Top hinge 5 – #6x1 1/2" Phillips flathead wood screws		10815155

ILLUSTRATION NOT TO SCALE	DESCRIPTION	OPER./COLOR	PART NO.
<p>Left hand shown</p> 	<p>Vertical Bottom Hinge Cap (Sash) N591A0671L N591A0671R</p> <p>N591A0653L N591A0653R</p> <p><i>NOTE: Field applied snap-on cover.</i></p>	<p>Pre 6/22/09 RH - White RH - Bronze</p> <p>LH parts are no longer available. Replace with current LH parts</p>	<p>10815349 10815351</p>
<p>Left hand shown</p> 	<p>Bottom Hinge Cap (Frame) N591A0571L N591A0571R</p> <p>N591A0553L N591A0553R</p> <p><i>NOTE: Field applied snap-on cover.</i></p>	<p>Pre 6/22/09 RH White LH White</p> <p>RH Bronze LH Bronze</p>	<p>10815353 10815354</p> <p>10815355 10815356</p>
	<p>Vertical Bottom Hinge Cap (Sash) <i>Used up to 1/26/00</i></p>	<p>LH White RH White</p> <p>LH Brown RH Brown</p>	<p>10815331 10815330</p> <p>10815337 10815336</p>
	<p>Top Hinge Cap (Frame) <i>Used from 10/97 - 1/26/00</i> Overall width 2 3/8" (60)</p>	<p>Brown</p>	<p>10815318</p>
	<p>Top Hinge Cap (Frame) <i>Used from 10/97 - 1/26/00</i></p>	<p>White</p>	<p>10815317</p>
	<p>Bottom Hinge Cap (Frame) <i>Used up to 1/26/00</i></p>	<p>LH Brown RH Brown</p> <p>RH White LH White</p>	<p>10815341 10815340</p> <p>10815334 No longer available</p>
	<p>Horizontal Bottom Hinge Cap (Sash) <i>Used up to 1/26/00</i></p>	<p>LH White RH White</p> <p>LH Brown RH Brown</p>	<p>10815333 10815332</p> <p>10815339 10815338</p>

NOTE: Always determine handing of parts with Marvin standard, as viewed from the exterior (Hinged side). Vendor numbers provided view handing from interior. **DO NOT SPECIFY USING VENDOR METHOD.**

Espagnolette

Tilt Turn, Casement Inswing, Round Top



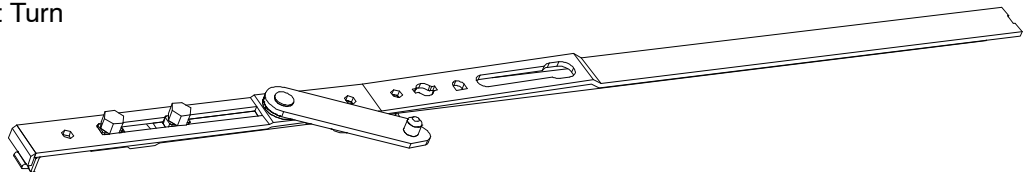
Sash OM Height		Handle Height	Model No.	Part No.
Measure from the Interior				
25 3/32"	or less	7 7/16"	R601B10	10815041
25 1/8"	-	11 1/8"	R601B20	10815042
33"	-	16 15/16"	R601B40	10815043
40 7/8"	-	20 15/16"	R601B50	10815044
48 3/4"	-	22 15/16"	R601B60	10815045
56 5/8"	-	22 15/16"	R601B70	10815046
64 1/2"	-	22 15/16"	R601B80	10815047
72 3/8"	-	44 9/16"	R602B10	10815048
80 1/4"	-	44 9/16"	R602B20	10815049
88 1/8"	-	44 9/16"	R602B30	10815050

Attached with #6x1 1/2" Phillips flathead wood screws.

Note: Handle height is measured from the bottom of the sash to the center of the espagnolette mechanism. In addition, if exact sash OM height is provided, the replacement espagnolette will be cut to the proper length.

Sash Stay Guide

Tilt Turn



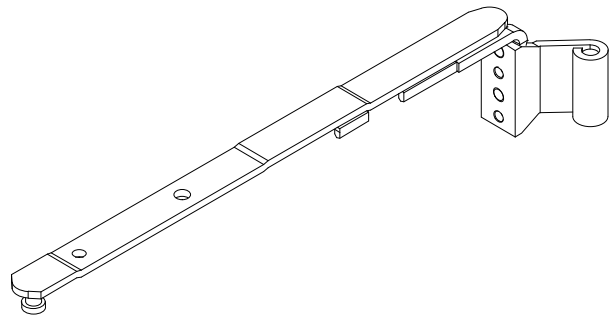
Sash OM Width		Model No.	Part No.
Measured from the Interior			
25 1/2"	or less	F502A10	10815068
25 17/32"	-	F502A20	10815069
33 13/32"	-	F502A30	10815070
41 9/32"	-	F502A40	10815071
49 5/32"	-	F502A50	10815072
57 1/32"	-	F502A60	10815073

Attached with #6x 1 1/2" Phillips flathead wood screws

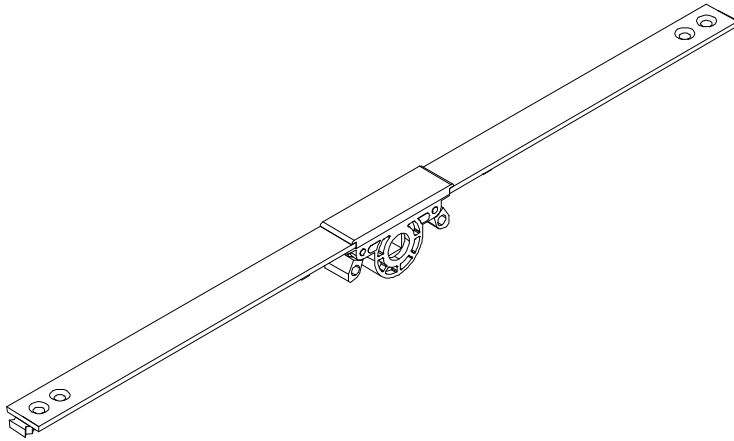
NOTE: If exact sash OM width is provided, the replacement sash stay guide will be cut to the proper length.

Top Hinge (Sash)

Tilt Turn



Sash OM Width		Model No.	Left Part No.	Right Part No.
Measured from the Interior				
25 1/2"	or less	F526A1200R/L	10815260	10815261
25 17/32"	-	F526A1300R/L	10815262	10815263
33 13/32"	-	F526A1500R/L	10815264	10815265



Variable Espagnolette (For Special Handle Height Only)
 Tilt Turn, Casement Inswing, Round Top

Model No.	Part No.
R610A05	10815051
R610C11	10815052
R610C21	10815053
R610C31	10815054
R610C41	10815055
R610C51	10815056

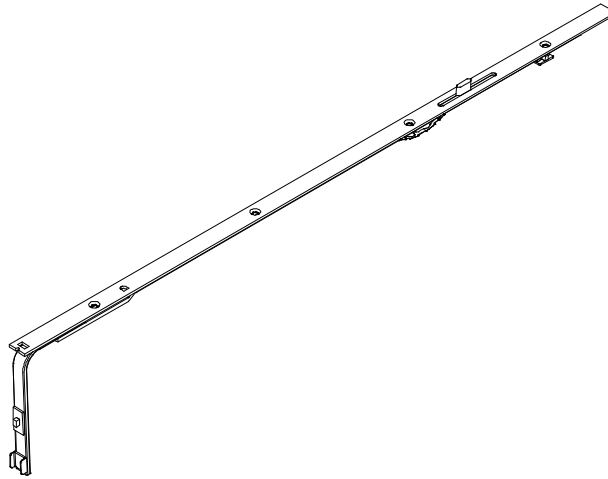
Attached with #6x1 1/2" Phillips flathead wood screws.

Variable Espagnolette
 Hopper

If sash height is over 37 3/16" the following variable espagnolettes are used with extensions in addition to side strikes and locks.

Sash OM Width Measured from the Interior	Model No.	Part No.
21 15/16" or less	R610A05	10815051
22" - 40 7/16"	R610C11	10815052
40 1/2" - 55 15/16"	R610C21	10815053
56" - 69 3/16"	R610C31	10815054

Attached with #6x1 1/2" Phillips flathead wood screws.



Center Lock

Tilt Turn, Casement Inswing, Round Top

Sash OM Width or Height		Model No.	Part No.
Measured from the Interior			
37 3/16"	– 47 5/32"	R605A10	10815105
47 3/16"	– 60 5/32"	R605A20	10815106
60 3/16"	– 72 5/32"	R605A30	10815107
72 3/16"	– 95 3/16"	R605A40	10815108

Attached with #6x 1 1/2" Phillips flathead wood screws

Note: If the width or height of the unit is less than 40" no center lock is required on that side.

Center Lock

Hopper

Sash OM Height		Model No.	Part No.
Measured from the Interior			
37 1/4"	– 40 3/16"	R605A10	10815105
40 1/4"	– 48 3/16"	R605A10	10815105
48 1/4"	– 52 3/16"	R605A20	10815106
52 1/4"	– 55 3/16"	R605A20	10815106
55 1/4"	– 59 3/16"	R605A20	10815106

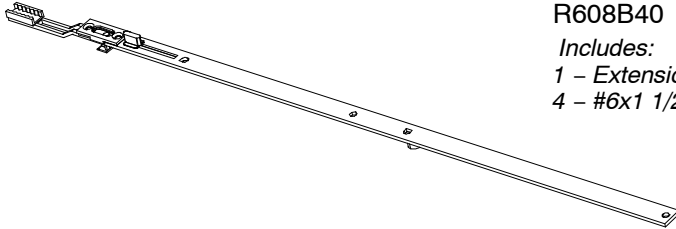
Attached with #6x 1 1/2" Phillips flathead wood screws

Extension and Lock

Tilt Turn, Casement Inswing
 R608B40

10815172

- Includes:*
 1 – Extension and lock
 4 – #6x1 1/2" Phillips flathead wood screws

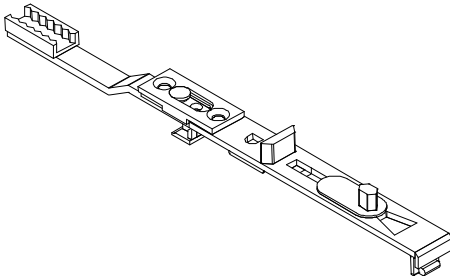


Bottom Extension

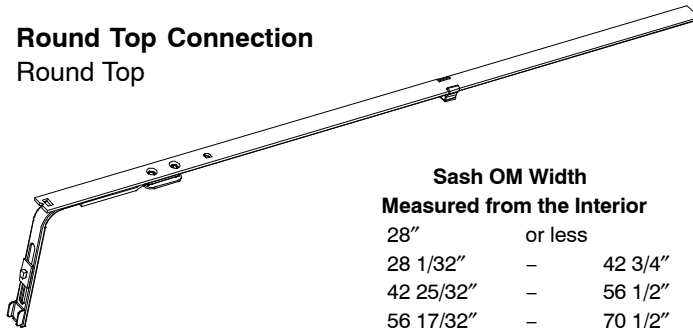
Tilt Turn, Casement Inswing
 R610A02

10815058

- Includes:*
 1 – Bottom extension
 4 – #6x1" Phillips flathead wood screws



Round Top Connection
 Round Top

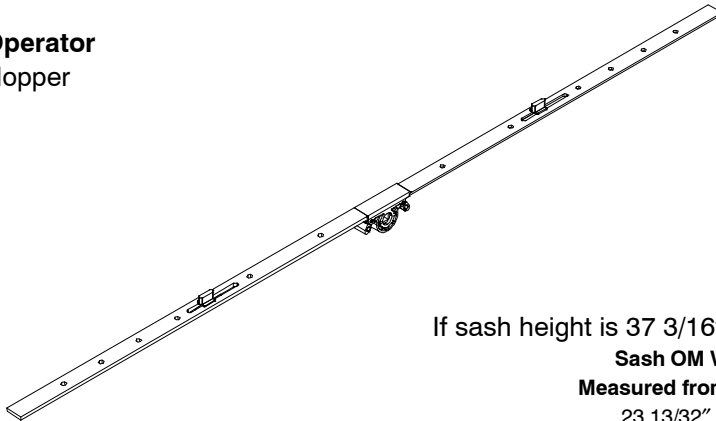


Sash OM Width Measured from the Interior		Bottom of Sash to Springline		Model No.	Part No.
28"	or less	36"	or less	R608A72	10815151
28 1/32"	– 42 3/4"	36 1/32"	– 48"	R608A73	10815152
42 25/32"	– 56 1/2"	48 1/32"	– 62"	R608A74	10815153
56 17/32"	– 70 1/2"	62 1/32"	– 75 1/2"	R608A75	10815154

Attached with #6x1 1/2" Phillips flathead wood screws.

Note: Units with a sash springline over 75 1/2" require Extension and Lock 10815172.

Operator
Hopper



If sash height is 37 3/16" or less the following operators are used:

Sash OM Width		Model No.	Part No.
Measured from the Interior			
23 13/32" or less		M500A90	10815303
23 7/16" – 37 3/16"		M500A10	10815160
37 1/4" – 42 11/16"		M500A20	10815161
42 3/4" – 58 11/16"		M500A30	10815162
58 3/4" – 69 3/16"		M500A40	10815163

Attached with #6x1 1/2" Phillips flathead wood screws

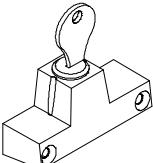
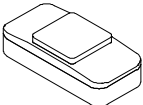
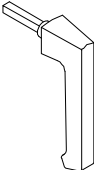
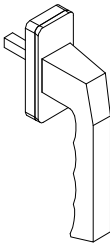
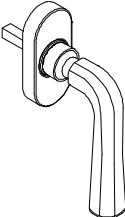

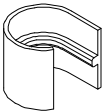
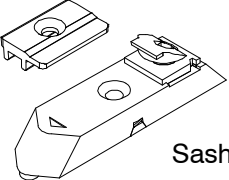
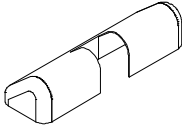
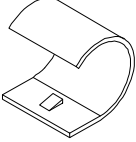
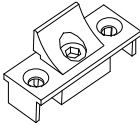
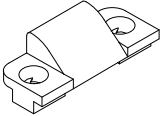
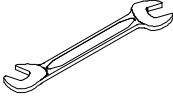
ILLUSTRATION NOT TO SCALE	DESCRIPTION	COLOR	PART NO.
	Security Lock	Metal Gray White	No longer available
	Escutcheon Plate R033A15	Bronze	No longer available
	Removable Handle (for Escutcheon) R033A22	New Silver	No longer available
	Pistol Grip Handle	Gold	No longer available
	Designer Handle	Brass	No longer available
	Weep Cover V470	Pebble	No longer available
	Top Hinge Cap (Frame) <i>Used up to 10/97</i>	White Brown	No longer available
 <p>Frame</p> <p>Sash</p>	Round Top Tilt-Turn Safety Device R609A20		No longer available

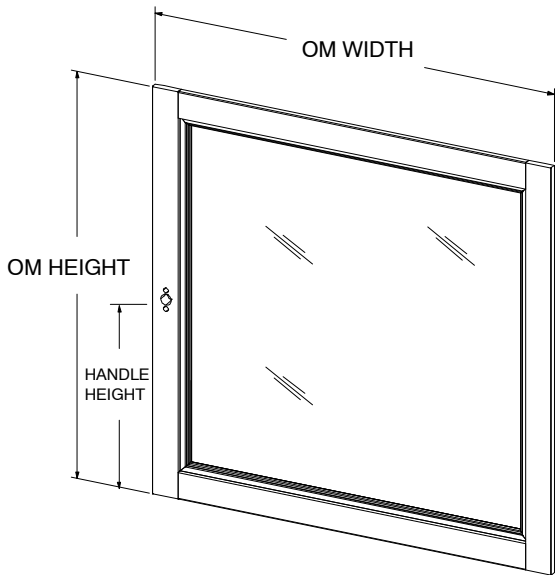
ILLUSTRATION NOT TO SCALE	DESCRIPTION	OPER./ COLOR	PART NO.
	Top Hinge Cap (Frame) <i>Used from 10/97 – 1/26/00</i> Overall width 2 3/8" (60)	White	No longer available
	Top Hinge Cap (Frame) <i>Used from 10/97 – 1/26/00</i>	Brown	No longer available
	Snubber (Sash), Inswing Casement <i>Used from 10/97 – 9/00</i> M490A35 Hopper		No longer available
	Snubber (Frame), Inswing Casement <i>Used from 10/97 – 9/00</i> M490A36 Hopper		No longer available
	Adjustment Wrench 13mm		No longer available

ORDERING REPLACEMENT OPERATOR OR STATIONARY SASH FOR TILT TURN, HOPPER AND INSWING CASEMENT

NOTE: *This information is for sash produced prior to 6/06/2006.*

To order replacement operating or stationary sash specify:

1. size (call number or OM of sash);
2. operation and handing;
3. glazing;
4. finish;
5. handle height (if other than standard);



Interior View

Sash OM Height		Handle Height
Measure from the Interior		
25 3/32"	or less	7 7/16"
25 1/8"	-	11 1/8"
33"	-	16 15/16"
40 7/8"	-	20 15/16"
48 3/4"	-	22 15/16"
56 5/8"	-	22 15/16"
64 1/2"	-	22 15/16"
72 3/8"	-	44 9/16"
80 1/4"	-	44 9/16"
88 1/8"	-	44 9/16"

Note: Handle height is measured from the bottom of the sash to the center of the espagnolette mechanism.

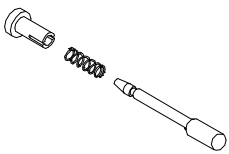
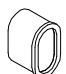
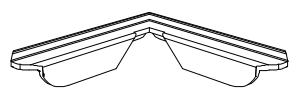

ORDERING REPLACEMENT SCREENS FOR TILT TURN, HOPPER AND INSWING CASEMENT

Full screens are standard with aluminum surround and Hi-Transparency fiberglass mesh. Aluminum mesh is available as an option in black, charcoal, bright aluminum, or bright bronze. Determine the outside measurement of the existing screen. Surrounds are available in all standard and select colors.

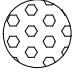

When ordering replacement screen specify:

<ol style="list-style-type: none"> 1. size; If there is no existing screen to obtain the OM of the panel, determine the size of the EP by using the conversion chart below. The daylight opening is the measurement of the visible glass. 2. color of surround; 3. glass type(if other than standard) 	<p style="text-align: center;">Screen Sizes for Tilt-Turn, Hopper and Inswing Casement Manufactured between 1984-Present</p> <p style="text-align: center;">Daylight Opening to OM of Screen</p> <p style="text-align: center;">Daylight Width + 3 1/2" = OM Width of Screen Daylight Height + 4 5/16" = OM Height of Screen</p> <p>NOTE: OM should not include lip. NOTE: Screens feature plunger type mounting system.</p>
--	---

TILT TURN, HOPPER AND INSWING CASEMENT SCREEN PARTS PRE 2-27-2012

ILLUSTRATION <i>NOT TO SCALE</i>	DESCRIPTION	COLOR	PART NO.
	Plunger and Spring Assembly M0102 <i>Includes:</i> 1 - Plunger bolt (metal) 1 - Plunger bolt cap (black) 1 - Plunger bolt spring	Black	No longer available
	Screen Mounting Receptacle M111	White	05070411
	Corner Key Screen M0121		15225301
	Screen Surround, Aluminum Profile A133 Available in 168" (4267) length	Stone White Bronze Pebble Brown Evergreen	18801100 15231799 15231899 15231699 15231999

TILT TURN, HOPPER AND INSWING CASEMENT SCREEN PARTS PRE 2-27-2012

ILLUSTRATION <i>NOT TO SCALE</i>	DESCRIPTION	COLOR	PART NO.
	Spline, Screen V1269	Black	No longer available
	Spline, Screen V129	Black	No longer available