

# ROUND TOPS AND POLYGONS

## Table of Contents

	<b>PAGE</b>
History .....	3
Part Identification – Ultimate Wood Direct Glaze Round Top – (Single Glaze) .....	5
Part Identification – Ultimate Wood Direct Glaze Round Top – (IG) .....	6
Part Identification – Ultimate Wood Direct Glaze Round Top – (ADL Frame) .....	7
Part Identification – Ultimate Direct Glaze Round Top – (Single Glaze) .....	8
Part Identification – Ultimate Direct Glaze Round Top – (IG) .....	9
Part Identification – Ultimate Wood Direct Glaze Polygon (Single Glaze with Energy Panel) .....	10
Part Identification – Ultimate Wood Direct Glaze Polygon – (IG) .....	11
Part Identification – Ultimate Direct Glaze Polygon (Single Glaze) .....	12
Part Identification – Ultimate Direct Glaze Polygon (IG) .....	13
Part Identification – Ultimate Direct Glaze Narrow Frame Polygon (IG) .....	14
Part Identification – Ultimate Direct Glaze Corner .....	15
Part Identification – Ultimate Direct Glaze Narrow Frame Corner .....	16
Part Identification – Ultimate Wood Double Hung Round Top .....	17
Part Identification – Ultimate Wood Double Hung Picture Round Top .....	18
Part Identification – Ultimate Wood Double Hung Picture Round Top 1 Inch IG .....	19
Part Identification – Ultimate Wood Double Hung Transom Round Top .....	20
Part Identification – Ultimate Wood Double Hung/Magnum Transom Round Top 1 Inch IG .....	21
Part Identification – Ultimate Double Hung Round Top Operator DISC LA PRE 6/29/15 .....	22
Part Identification – Ultimate Double Hung Transom and Picture Round Top 1 Inch DISC LA PRE 6/29/15 .....	23
Part Identification – Ultimate Wood Double Hung Magnum Round Top .....	24
Part Identification – Ultimate Wood Double Hung Magnum Picture Round Top .....	25
Part Identification – Ultimate Wood Double Hung Magnum Picture Round Top 1 Inch IG .....	26
Part Identification – Ultimate Double Hung Magnum Round Top DISC LA PRE 6/25/18 .....	27
Part Identification – Ultimate Double Hung Magnum Round Top DISC LA PRE 6/25/18 (Picture and Transom) ..	28
Part Identification – Ultimate Wood Casemaster Operator Round Top DISC LA PRE 2010 (Eyebrow) .....	29
Part Identification – Ultimate Wood Casemaster Operator Round Top DISC LA PRE 2010 – Stationary .....	30
Part Identification – Ultimate Wood Casemaster Operator Round Top DISC LA PRE 2010 – 1” Picture .....	31
Part Identification – Ultimate Casemaster Operator Round Top DISC LA PRE 2010 .....	32
Part Identification – Ultimate Casemaster Operator Round Top DISC LA PRE 2010 – Stationary .....	33
Part Identification – Ultimate Casemaster Operator Round Top DISC LA PRE 2010 1” Picture .....	34

	<b>PAGE</b>
Parts – Ultimate/Wood Ultimate Direct Glaze Polygon .....	35
Parts – Ultimate Direct Glaze Corner and Narrow Frame Corner .....	36
Parts – Wood Ultimate Double Hung Round Top and Ultimate Double Hung Round Top DISC LA PRE 6/29/15 ..	37
Parts – Ultimate Wood Double Hung Magnum Round Top .....	38
Parts – Ultimate Double Hung Magnum Round Top DISC PRE 6/25/18 .....	38
Vinyl Parts – Ultimate Double Hung Magnum .....	40
Wood Parts – Round Tops and Polygons .....	41
Wood Parts – Direct Glaze Polygon/Door Transom and Round Top .....	42
Wood Parts – Ultimate Direct Glaze and Direct Glaze Narrow Frame Corner .....	45
Wood Parts – Ultimate Double Hung/Ultimate Double Hung Magnum .....	46
Weather Strip – Round Tops .....	52
Installation Kits – Ultimate Direct Glaze and Direct Glaze Narrow Frame Corner .....	53
Sash Replacement .....	54
Screens, Energy Panels and Combination Units .....	55
Discontinued LA (Limited Availability) Parts – Ultimate Double Hung Magnum .....	56
Discontinued LA (Limited Availability) Parts – Ultimate and Ultimate Wood Casemaster DISC LA PRE 2010 ....	57
Discontinued (LA) Aluminum Parts – Ultimate Double Hung Magnum Round Top DISC PRE 6/25/18 .....	59
Discontinued (LA) Vinyl Parts – Ultimate Double Hung Magnum Round Top DISC PRE 6/25/18 .....	60
Discontinued (LA) Wood Parts – Ultimate and Ultimate Wood Casemaster DISC LA PRE 2010 .....	61
Discontinued (LA) Weather Strip .....	62

**ATTENTION:**

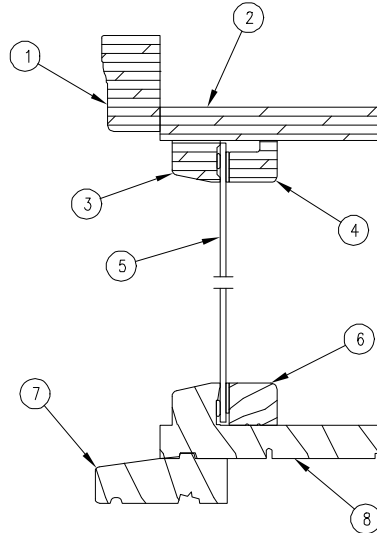
- Specification and technical data are subject to change without notice.
- Numbers listed in parentheses ( ) are metric equivalents in millimeters rounded to the nearest whole number.

PRODUCED	UNIT TYPE	FEATURES OR CHANGES	STATUS
1979	Wood Round Top	1979 Arch top windows introduced. They are available as Direct Glaze or In-sash, one lite or divided lite and single glaze or 1/2" insulated. They are also available as Direct Glaze 1" one lite. Grids are an option only for the Direct Glaze.	Present
1982	Wood Round Top	5/82 Introduced Wood Double Hung Operating In-sash Round Top.	Present
1982	Wood Round Top	12/82 Introduced Wood Casement Operating In-sash Round Top.	Present
1984	Wood Tilt-Turn Round Top	Introduced Wood Tilt-Turn Round Top.	Present
1985	Wood Round Top	Interior Casing WP366 (W1366) available.	Present
1985	Clad Round Top	Introduced Clad Round Top, available in White or Bahama Brown, direct glazed only.	Present
1985	Round Top	Interior trim to become standard. MM44 (W1144), WP366 (W1366) and flat casing available. Unless otherwise specified unit will be fabricated with MM44.	Present
1988	Round Top	9/88 Laminated interior casing has replaced fingerjointed interior casing on most round top units. Profiles available are MM44 and WP366.	Present
1988	Round Top	10/88 Three new profiles added to the laminated interior casings which are WM376 (W1376), WM351 (W1351) and WM445 (W1445).	Present
1989	Round Top	01/89 Plinth blocks introduced.	Present
1993	Round Top	Oak interior casing, available in MM44, WP366, WM376, WM351, WM445, shipped with Oak plinth blocks.	Present
1993	Round Top	10/93 Wood and Clad True Half Circles, Elliptical, Eyebrow above spring line and ovals introduced. Expansion of standard size offerings.	Present
1996	Clad Round Top	03/96 Factory installed clad brick mould casing available on true radius windows.	Present
1997	Round Top & Polygon	01/97 Simulated divided lites with spacer bar option.	Present
1997	Round Top	02/97 Clad brick mould casing introduced for elliptical round tops.	Present
1997	Round Top & Polygon	05/97 Direct Glaze Round Tops and Polygons redesigned with new direct glaze cladding profile.	Present
1997	Clad Round Top	11/97 Clad radius flat casing introduced to Round Tops shapes 1-10, 15-27, 42-46, 49-50, & 54-57	Present
1998	Clad Round Top	03/98 Clad In-Sash Round Top Casemaster stationary introduced for shape numbers 1-10, 15-50 and 54-57 from the shape table with the 605 finish on heavy extruded aluminum in all five colors. One piece sash cladding is interior glazed.	Present
1998	Wood Tilt-Turn Round Top	Safety device modified due to a design change. Parts are not interchangeable.	Present
1998	Round Top for Doors	Consolidation of wood and clad Door Round Top sizes due to the redesign of the transom so that the Round Top can be mulled directly to the door.	Present
1999	Clad Round Top	01/99 Clad In-Sash operating Round Top Casemaster introduced.	Present
1999	Wood In-Sash Operating Round Top	01/99 Upgraded hinges to 4" surface mounted, updated Weather Strip to foam filled Q-Ion and added V905 side stops. DP rating upgraded to DP40.	Present
1999	Wood In-Sash Operating Round Top	Routed butt hinges	Discontinued
1999	Clad Round Top	08/99 The drip cap was removed on the V110 nailing fin.	Present
2000	Clad Ultimate DH/SH, Picture & Transom Round Tops	2/28/00 Radius frame and sash components. Double Hung top sash operates and tilts. Common parts with Ultimate product where possible.	Present
2001	Wood Ultimate Round Top	2/01 Introduction of the Wood Ultimate Double Hung Round Top. Available as an operable double hung, single hung as well as a picture unit or transom.	Present
2002	Clad Ultimate DH/SH, Picture & Transom Round Tops	3/02 Stone White becomes a standard color. Arctic White transitions to a select color.	Present
2003	Ultimate DH/SH, Casemaster	3/31/03 Satin Taupe (TP) hardware replaces bronze as standard.	Present
2004	Wood and Clad Operating Round Tops	1/04 Added Oil Rubbed Bronze and Satin Chrome to available hardware finishes.	Present
2006	Wood and Clad CM Stationary Round Tops	6/06 For CM Stationary Round Tops, W8723 replaces W8462.	Present

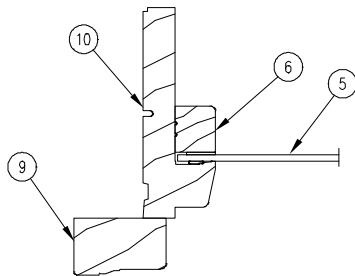
PRODUCED	UNIT TYPE	FEATURES OR CHANGES	STATUS
2007	Round Top Wood and Clad Ultimate Double Hung Magnum	3/26/2007 Introduced the Round Top option for the Ultimate Double Hung Magnum	Present
2009	All	7/27/2009 3" and 4" plinth blocks available in all standard and alternative wood species	Present
2009	Casemaster Round Top	7/27/2009 Discontinued Casemaster Round Top	Present
2011	All	04/25/2011 Added LoE-180™ as a standard option for all products. White painted interior finish option introduced for all products.	Present
2012	Casemaster In-Sash Polygon All	12/17/2012 Discontinued Casemaster In-Sash Polygon Clear interior finish option introduced for all products.	Present
2013	All	4/29/2013 Introduced interior stain options. Stain colors are Wheat, Honey, Leather, Hazelnut, Cabernet and Espresso.	Present
	Polygon and Round Top Direct Glaze	6/24/2013 Direct Glaze Standardization added upgrades and improvements to direct glaze products in both wood and clad. Glazing method is silicone and with interior tape glaze. Wood bead profile W11751 and W11923 (Radius).  9/20/2013 Glazing Bead for Single Glaze WDG Polygon changed to W12092.	
2014	All	6/24/14 Redesign to the exterior to one piece glazing.	Present
	Polygon and Round Top Direct Glaze		
2016	Clad Direct Glaze Corner Window	6/27/16 Introduced the Clad Direct Glaze Corner Window	6/27/16- 8/28/17
2016	All	10/31/16 Obsolescence of the wood species Cedro Macho for all products.	Present
2017	Clad Direct Glaze Corner Window and Contemporary Direct Glaze Products	8/28/17 New Clad Direct Glaze Corner format , also introducing Clad Contemporary Direct Glaze rectangle and polygon and Clad Contemporary Direct Glaze corner window	Present
2017	Wood and Clad Casemaster Roundtops	8/28/17 Discontinued Clad and Wood Frames will no longer warehouse parts. Energy panels are also discontinued for this product line.	Present
2017	Wood and Clad Direct Glaze Polygons and Rectangles	10/30/2017 2 13/32" SDL bars are added as an option.	Present
2017	Ultimate French Casement Round Top	12/1/2017 discontinued Siegenia hardware (shootbolt), replaced with Hoppe.	Present
2018	CUDHMPRT and CUDHMTRT	6/25/2018: Clad Ultimate Double Hung Magnum products including Clad Ultimate Double Hung Magnum Picture Round Top (CUDHMPRT) and Clad Ultimate Double Hung Magnum Transom Round Top (CUDHMTRT) moved to discontinued status.	Present
2020	All	8/31/2020: All Plinth Block were moved to Disc No Longer Available (NA).	Present

**Ultimate Wood Direct Glaze Round Top  
(Single Glaze)**

**Head Jamb  
and Sill Detail**

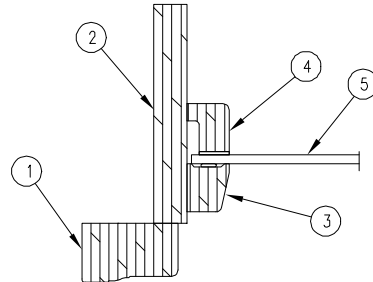


**With or without Spring Line**



**Non-Continuous  
Spring Line  
(Eyebrow with Spring Line)**

**Jamb Detail**



**Continuous Spring Line  
True Half Circle  
with or without Spring Line**

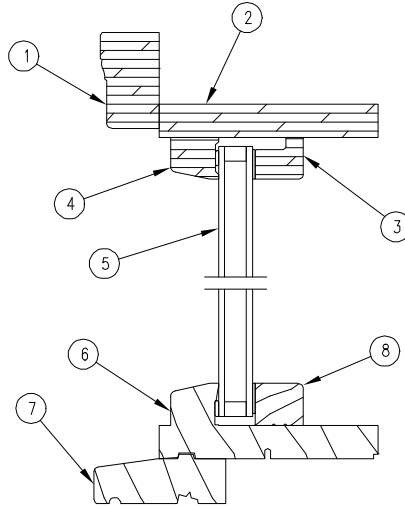
NOTE: Not to scale; specifications subject to change without notice.

- 1. Radiused Head Jamb Brick Mould Casing (W1047)
- 2. Radiused Head Jamb/Jamb
- 3. Exterior Glazing Bead (W11989)
- 4. Radiused Head Glazing Bead (W11923)
- 5. Single Glaze Glass

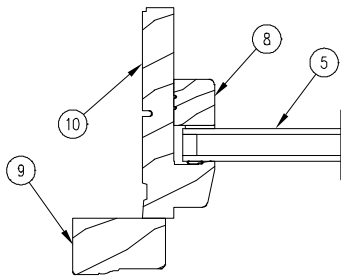
- 6. Glazing Bead (W11751)
- 7. Subsill
- 8. Sill
- 9. Jamb Brick Mould, Casing (W1047)
- 10. Jamb

**Ultimate Wood Direct Glaze Round Top  
(Insulating Glass)**

**Head Jamb  
and Sill Detail**

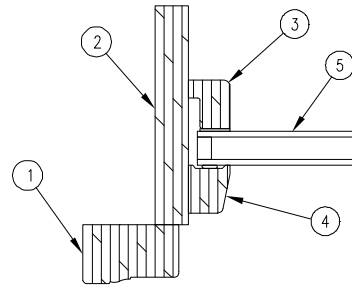


**With or without Spring Line**



**Non-Continuous  
Spring Line  
(Eyebrow with Spring Line)**

**Jamb Detail**



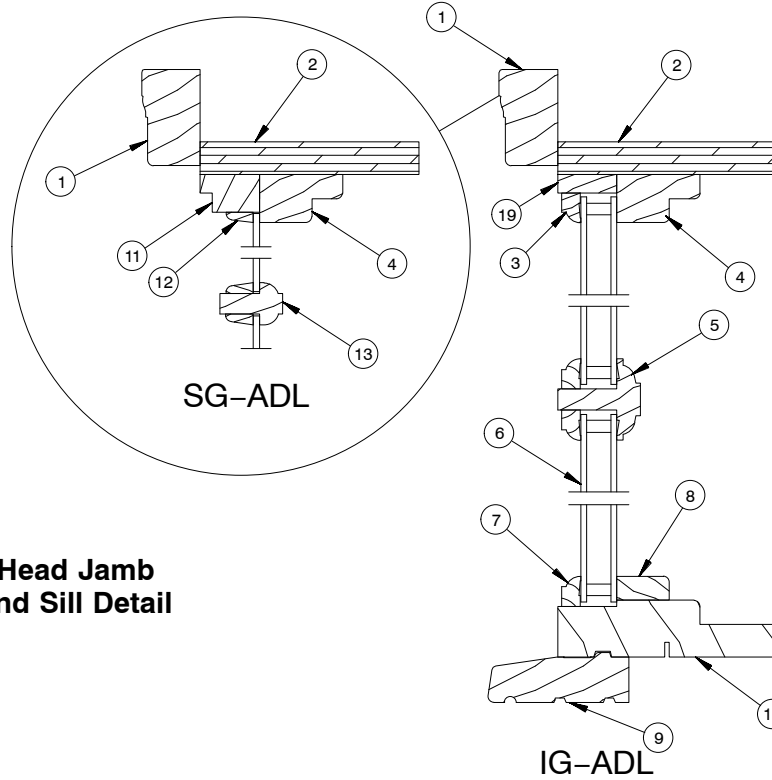
**Continuous Spring Line  
True Half Circle  
with or without Spring Line**

NOTE: Not to scale; specifications subject to change without notice.

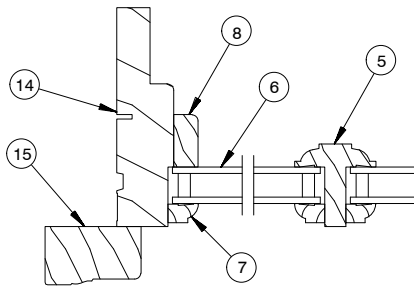
- 1. Radiused Head Jamb Brick Mould Casing (W1047)
- 2. Radiused Head Jamb/Jamb
- 3. Radiused Glazing Bead (W11923)
- 4. Exterior Glazing Bead (W11989)
- 5. Insulating Glass

- 6. Sill
- 7. Subsill
- 8. Glazing Bead (W11751)
- 9. Jamb Brick Mould Casing (W1047)
- 10. Jamb

**Ultimate Wood Direct Glaze Round Top  
(Insulating Glass ADL Frame)**

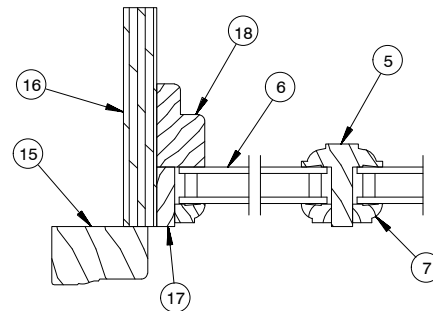


**Head Jamb  
and Sill Detail**



**Eyebrow  
with Spring Line**

**Jamb Detail**



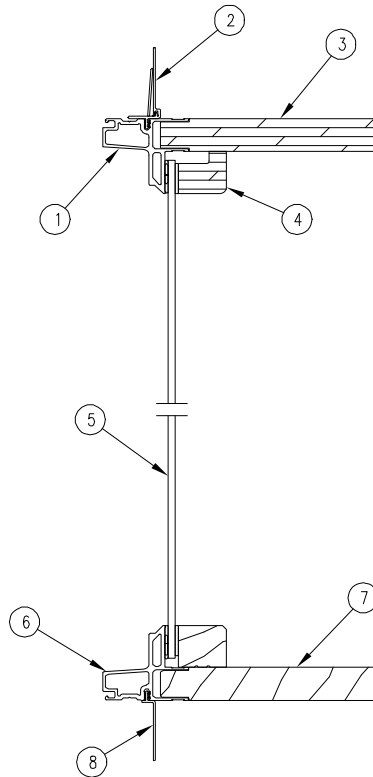
**True Half Circle  
with or without Spring Line**

NOTE: Not to scale; specifications subject to change without notice.

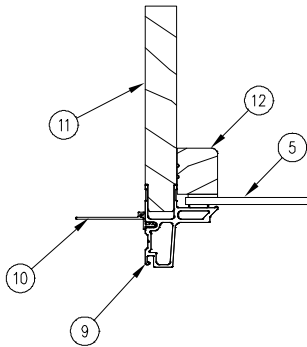
- |   |   |                          |
|---|---|--------------------------|
| 1. Radiused Head Jamb Brick Mould Casing, W1047 | 9. Subsill, W2197                       | 17. 3/8" Filler          |
| 2. Radiused Head Jamb                           | 10. Sill                                | 18. Frame Stock          |
| 3. Radiused Glazing Bead, W4009                 | 11. SG ADL Radiused Filler              | 19. Radiused 3/8" Filler |
| 4. Radiused Frame Stock                         | 12. SG-ADL Radiused Glazing Bead, W4074 |                          |
| 5. Insulated Munt                               | 13. Single Glaze Munt                   |                          |
| 6. Insulated Glass                              | 14. Jamb                                |                          |
| 7. Glazing Bead, W4009                          | 15. Jamb Brick Mould Casing, W1047      |                          |
| 8. Bullnose Stop, W7013                         | 16. Radiused Jamb                       |                          |

**Ultimate Direct Glaze Round Top  
(Single Glaze)**

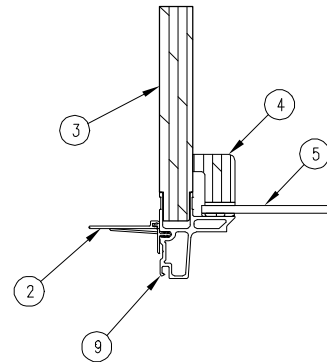
**Head Jamb  
and Sill Detail**



**With or without Spring Line**



**Non-Continuous  
Spring Line  
(Eyebrow with Spring Line)**



**Continuous Spring Line  
True Half Circle  
with or without Spring Line**

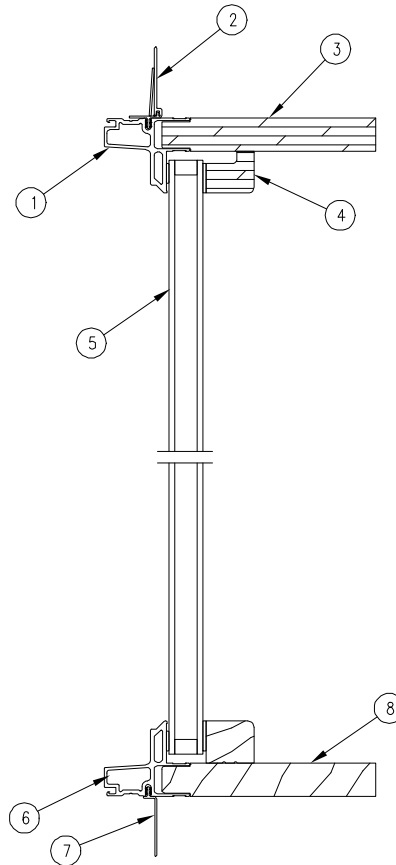
NOTE: Not to scale; specifications subject to change without notice.

- 1. Radiused Head Jamb Cladding
- 2. Radiused Nailing Fin, V110
- 3. Radiused Head Jamb/Jamb
- 4. Radiused Glazing Bead (W11923)
- 5. Single Glaze Glass
- 6. Sill Cladding

- 7. Sill
- 8. Sill Nailing Fin, V084
- 9. Jamb Cladding
- 10. Jamb Nailing Fin, V104
- 11. Jamb
- 12. Glazing Bead (W11751)

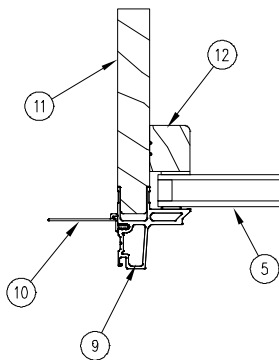


**Ultimate Direct Glaze Round Top  
(Insulating Glass)**



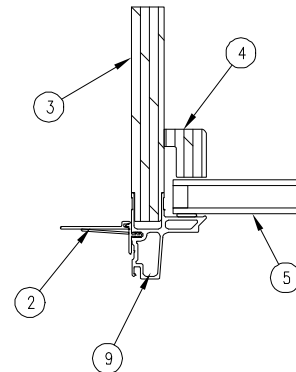
**Head Jamb  
and Sill Detail**

**With or without Spring Line**



**Non-Continuous  
Spring Line  
(Eyebrow with Spring Line)**

**Jamb Detail**



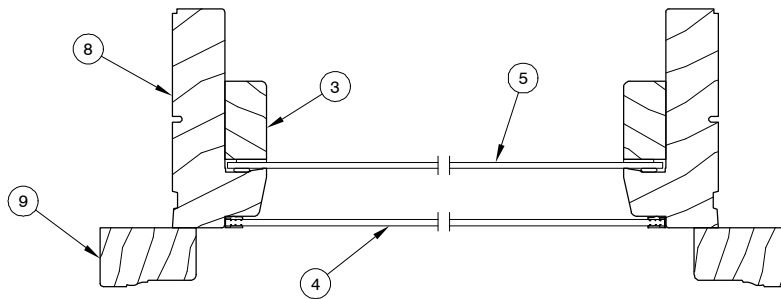
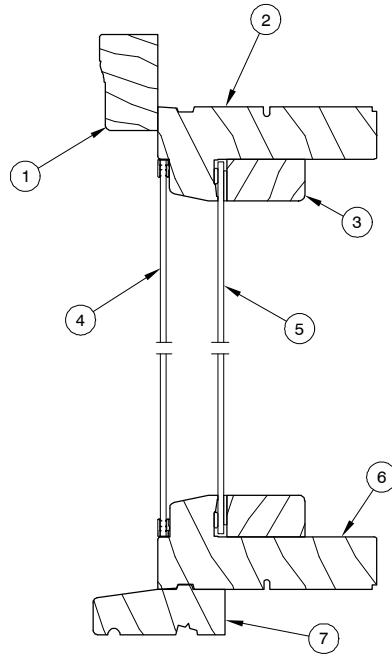
**Continuous Spring Line  
True Half Circle  
with or without Spring Line**

NOTE: Not to scale; specifications subject to change without notice.

- |                                   |                             |
|-----------------------------------|-----------------------------|
| 1. Radiused Head Jamb Cladding    | 7. Sill Nailing Fin (V084)  |
| 2. Radiused Nailing Fin (V110)    | 8. Sill                     |
| 3. Radiused Head Jamb/Jamb        | 9. Jamb Cladding            |
| 4. Radiused Glazing Bead (W11923) | 10. Jamb Nailing Fin (V104) |
| 5. Insulating Glass               | 11. Jamb                    |
| 6. Sill Cladding                  | 12. Glazing Bead (W11751)   |

**Ultimate Wood Direct Glaze Polygon  
 (Single Glaze With Energy Panel)**

**Head Jamb  
 and Sill Detail**



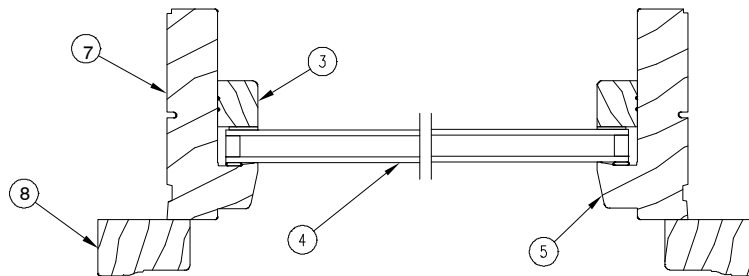
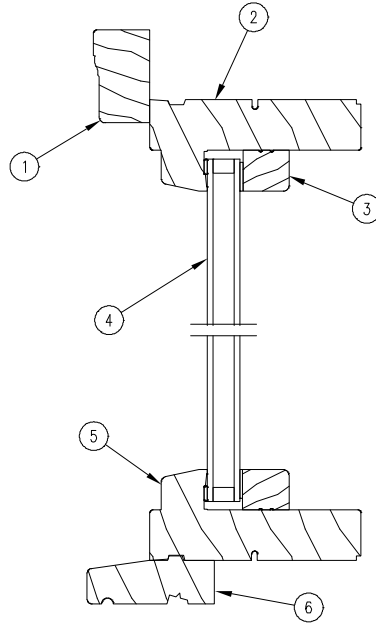
**Jamb Detail**

NOTE: Not to scale; specifications subject to change without notice.

1. Head Jamb Brick Mould Casing (W1047)
2. Head Jamb
3. Glazing Bead (W12092)
4. Energy Panel
5. Single Glaze Glass
6. Sill
7. Subsill (W10333)
8. Jamb
9. Jamb Brick Mould Casing (W1047)

**Ultimate Wood Direct Glaze Polygon  
 (Insulating Glass)**

**Head Jamb  
 and Sill Detail**



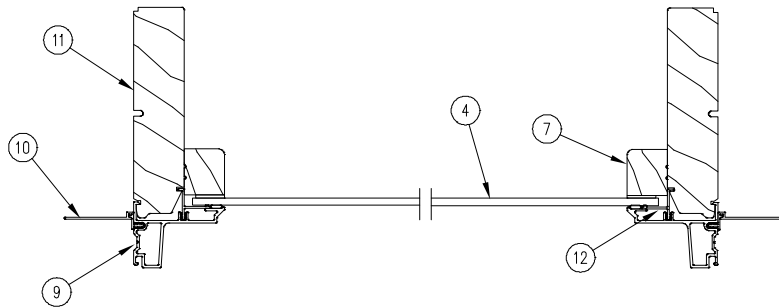
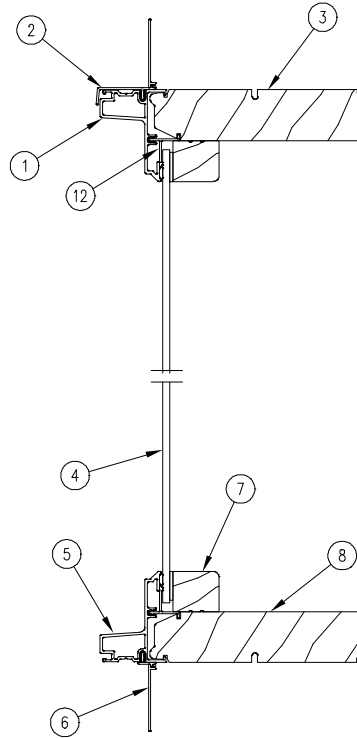
**Jamb Detail**

NOTE: Not to scale; specifications subject to change without notice.

1. Head Jamb Brick Mould Casing (W1047)
2. Head Jamb
3. Glazing Bead (W11751)
4. Insulating Glass
5. Sill
6. Subsill (W10333)
7. Jamb
8. Jamb Brick Mould Casing (W1047)

**Ultimate Direct Glaze Polygon  
(Single Glaze)**

**Head Jamb  
and Sill Detail**



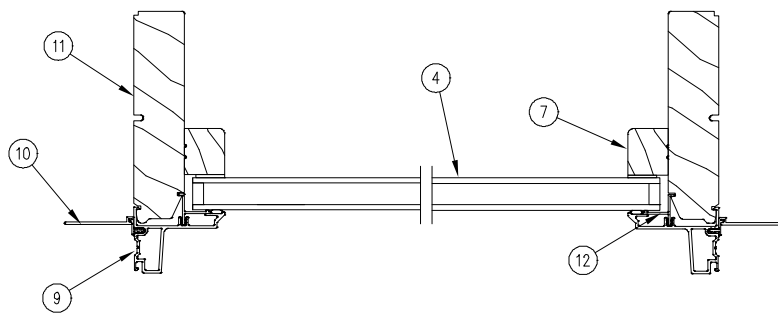
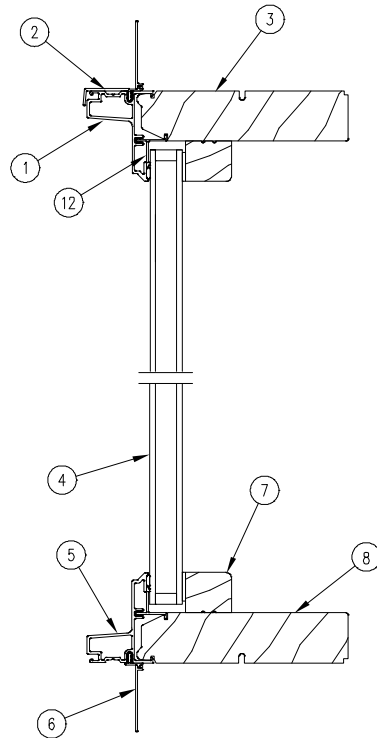
**Jamb Detail**

NOTE: Not to scale; specifications subject to change without notice.

- |  |                             |
|--|-----------------------------|
| 1. Head Jamb Cladding                    | 7. Glazing Bead (W11751)    |
| 2. Head Jamb Nailing Fin/Drip Cap (V119) | 8. Sill                     |
| 3. Head Jamb                             | 9. Jamb Cladding            |
| 4. Single Glaze Glass                    | 10. Jamb Nailing Fin (V104) |
| 5. Sill Cladding                         | 11. Jamb                    |
| 6. Sill Nailing Fin (V084)               | 12. Attachment Barb (V2225) |

**Ultimate Direct Glaze Polygon  
(Insulating Glass)**

**Head Jamb  
and Sill Detail**



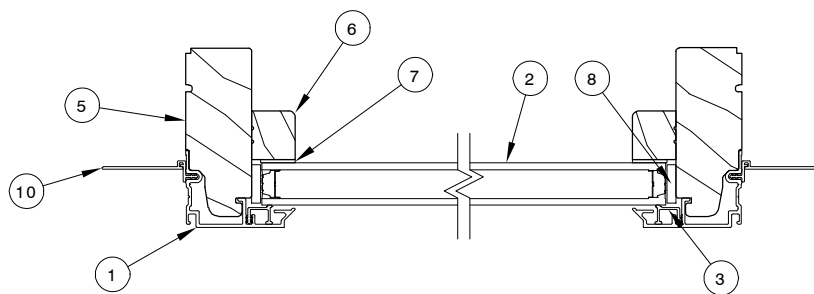
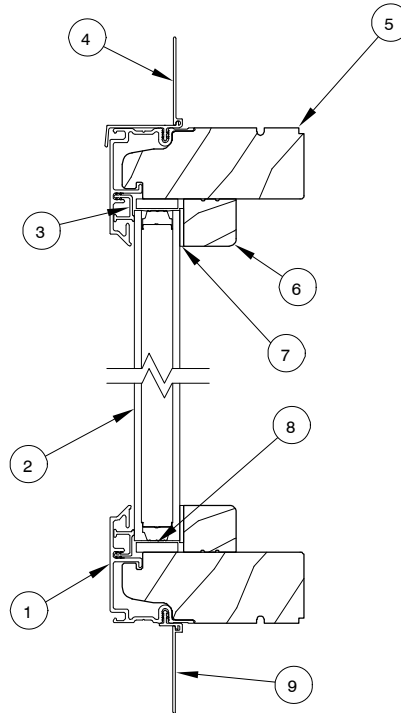
**Jamb Detail**

NOTE: Not to scale; specifications subject to change without notice.

- |  |                             |
|--|-----------------------------|
| 1. Head Jamb Cladding                    | 7. Glazing Bead (W11751)    |
| 2. Head Jamb Nailing Fin/Drip Cap (V119) | 8. Sill                     |
| 3. Head Jamb                             | 9. Jamb Cladding            |
| 4. Insulating Glass                      | 10. Jamb Nailing Fin (V104) |
| 5. Sill Cladding                         | 11. Jamb                    |
| 6. Sill Nailing Fin (V094)               | 12. Attachment Barb (V2225) |

**Ultimate Direct Glaze Narrow Frame Polygon  
(Insulating Glass)**

**Head Jamb  
and Sill Detail**



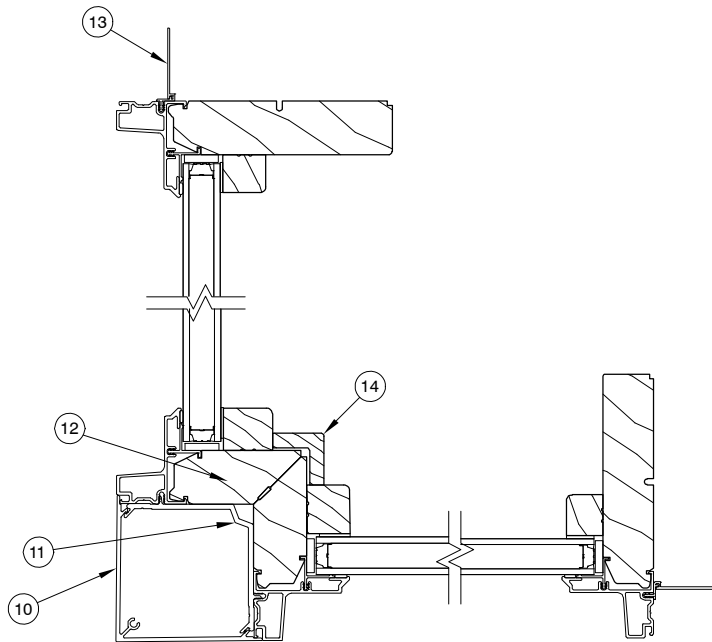
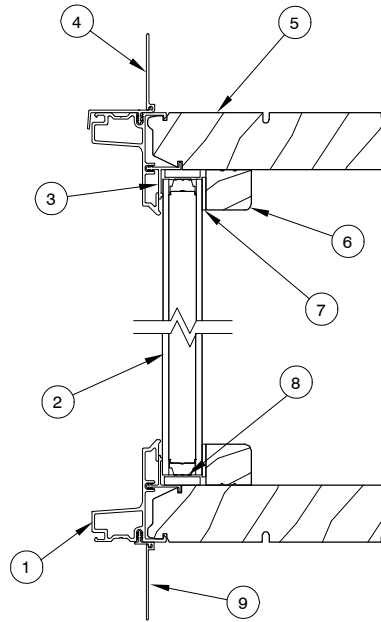
**Jamb Detail**

NOTE: Not to scale; specifications subject to change without notice.

- |  |                             |
|--|-----------------------------|
| 1. Frame Cladding                      | 7. Glazing Tape             |
| 2. Insulated Glass                     | 8. Glass Setting Block      |
| 3. Vinyl Glazing Bead                  | 9. Sill Nailing Fin         |
| 4. Head Jamb Nailing Fin/Drip Cap V119 | 10. Jamb Nailing Fin (V104) |
| 5. Wood Frame                          |                             |
| 6. Interior Glazing Bead               |                             |

**Ultimate Direct Glaze Corner**

**Head Jamb  
and Sill Detail**



**Jamb Detail**

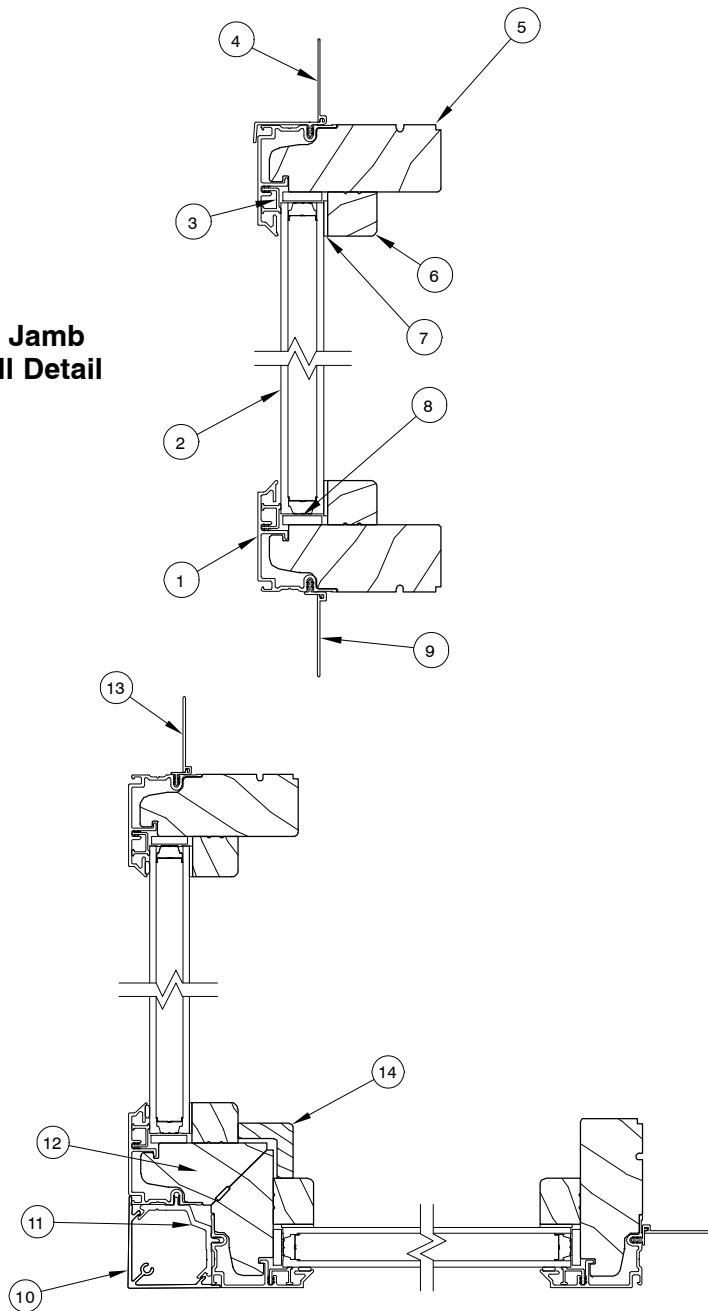
NOTE: Not to scale; specifications subject to change without notice.

- 1. Frame Cladding
- 2. Insulated Glass
- 3. Head Jamb
- 4. Drip Cap/Nailing Fin
- 5. Frame Wood
- 6. Interior Glazing Bead

- 7. Glazing Tape
- 8. Glass Setting Block
- 9. Sill Nailing Fin
- 10. Corner Cladding
- 11. Corner Bracketry
- 12. Jamb Corner Frame Wood
- 13. Jamb Nailing Fin
- 14. Interior Corner Cover

**Ultimate Direct Glaze Narrow Frame Corner**

**Head Jamb  
and Sill Detail**



**Jamb Detail**

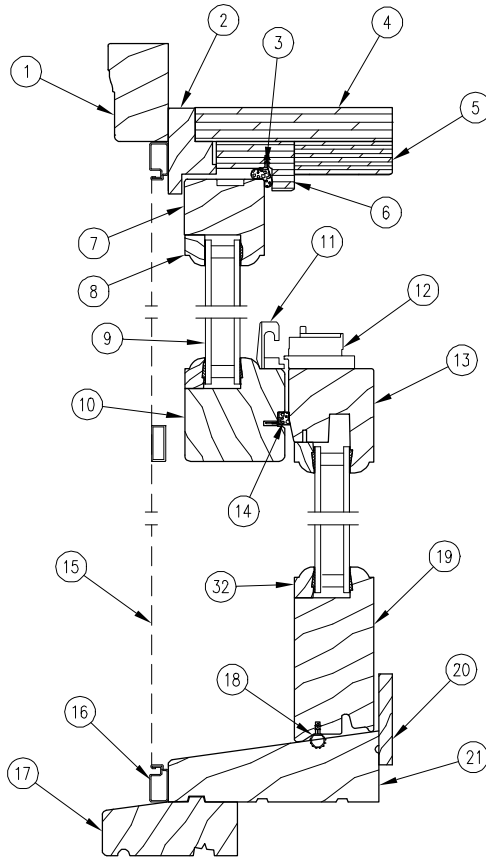
NOTE: Not to scale; specifications subject to change without notice.

- |  |                            |
|--|----------------------------|
| 1. Frame Cladding                      | 7. Glazing Tape            |
| 2. Insulated Glass                     | 8. Glass Setting Block     |
| 3. Vinyl Glazing Bead                  | 9. Sill Nailing Fin        |
| 4. Head Jamb Nailing Fin/Drip Cap V119 | 10. Corner Cladding        |
| 5. Wood Frame                          | 11. Corner Bracketry       |
| 6. Interior Glazing Bead               | 12. Jamb Corner Frame Wood |
|  | 13. Jamb Nailing Fin       |
|  | 14. Interior Corner Cover  |



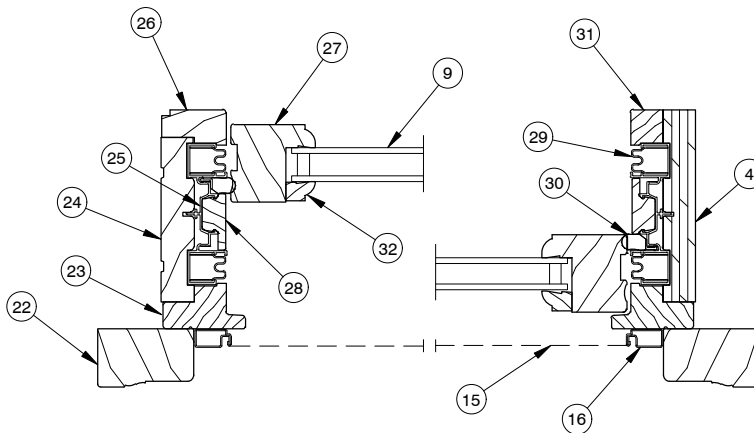
**Ultimate Wood Double Hung Round Top**

**Head Jamb and Sill Detail**



1. Radiused Head Jamb Brick Mould Casing, W1047
2. Radiused Blind Stop, W2203
3. Parting Stop Weather Strip, V025
4. Radiused Head Jamb/Jamb
5. Radiused Head Jamb Liner/Filler, W8006
6. Radiused Head Jamb Parting Stop, W2101
7. Radiused Top Rail
8. Radiused Glazing Bead, W4009
9. Insulated Glass
10. Top Checkrail
11. Keeper
12. Lock
13. Bottom Checkrail
14. Top Checkrail Weather Strip, V031
15. Screen Mesh
16. Screen Frame
17. Subsill, W2134
18. Bottom Rail Weather Strip, V147
19. Bottom Rail
20. Sill Liner, W2146
21. Sill
22. Jamb Brick Mould Casing, W1047
23. Jamb Blind Stop, W2123
24. Jamb
25. Vinyl Jamb Carrier, V100
26. Interior Jamb Liner, W2127
27. Stile
28. Wood Jamb Filler, W2018
29. Sash Balance Tube
30. Frame Weather Strip, V2838
31. Continuous Springline Jamb Liner, W2189
32. Glazing Bead, W4009

**Jamb Detail**



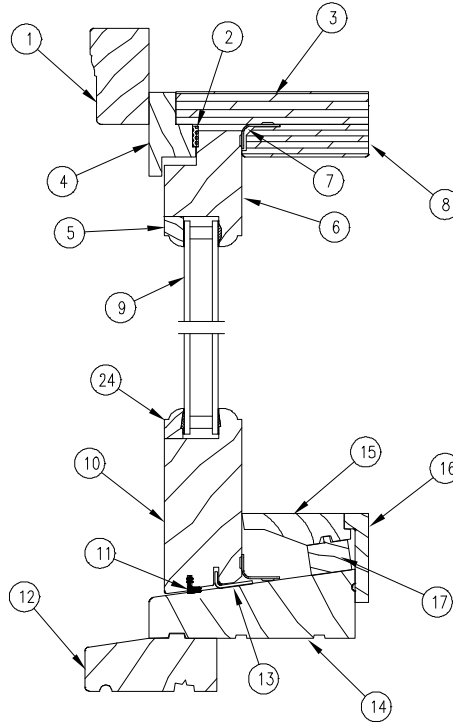
**Eyebrow  
with Spring Line**

**True Half Circle  
with or without Spring Line**

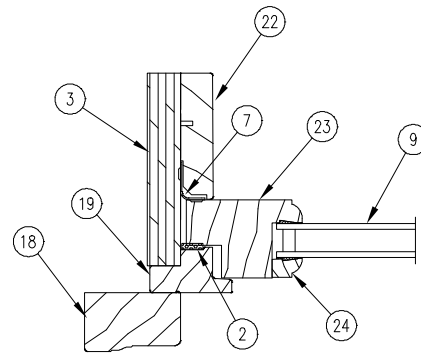
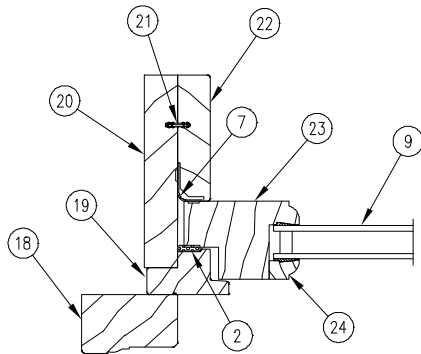
NOTE: Not to scale; specifications subject to change without notice.

**Ultimate Wood Double Hung Picture Round Top**

**Head Jamb and Sill Detail**



**Jamb Detail**



**Eyebrow with Spring Line**

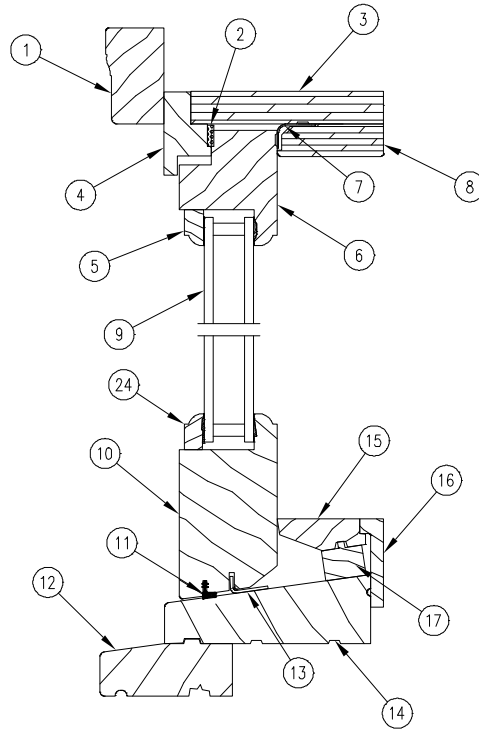
**True Half Circle with or without Spring Line**

NOTE: Not to scale; specifications subject to change without notice.

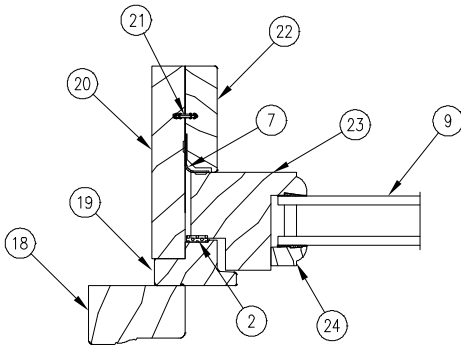
- |   |                                     |   |
|---|-------------------------------------|---|
| 1. Radiused Head Jamb Brick Mould Casing, W1047 | 11. Bottom Rail Weather Strip, V031 | 21. Connecting Barb, V803                   |
| 2. Foam Frame Weather Strip                     | 12. Subsill, W2134                  | 22. Stationary Interior Filler/Liner, W2191 |
| 3. Radiused Head Jamb/Jamb                      | 13. Bottom Rail Sash Bracket        | 23. Stile                                   |
| 4. Radiused Blind Stop, W2203                   | 14. Sill                            | 24. Glazing Bead, W4009                     |
| 5. Radiused Glazing Bead, W4009                 | 15. Sill Filler, W9699              |   |
| 6. Radiused Top Rail                            | 16. Sill Liner, W2179               |   |
| 7. Stationary Sash Bracket                      | 17. Sill Filler Riser, W9703        |   |
| 8. Radiused Filler/Liner, W2206                 | 18. Jamb Brick Mould Casing, W1047  |   |
| 9. Insulated Glass                              | 19. Jamb Blind Stop, W2123          |   |
| 10. Bottom Rail                                 | 20. Jamb                            |   |

**Ultimate Wood Double Hung Picture Round Top 1 Inch IG**

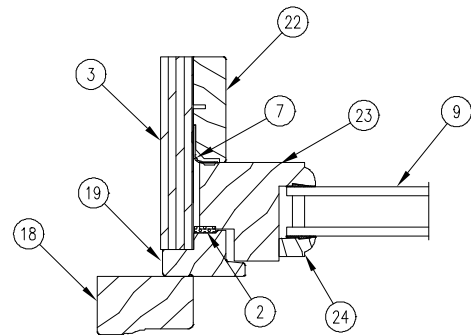
**Head Jamb and Sill Detail**



**Jamb Detail**



**Eyebrow with Spring Line**



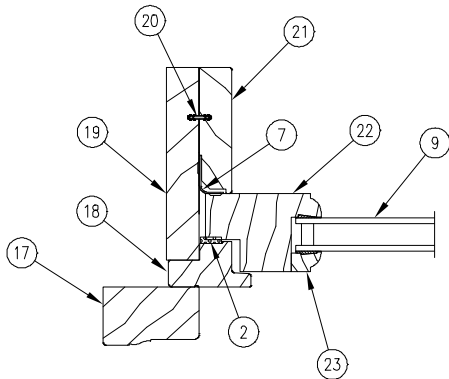
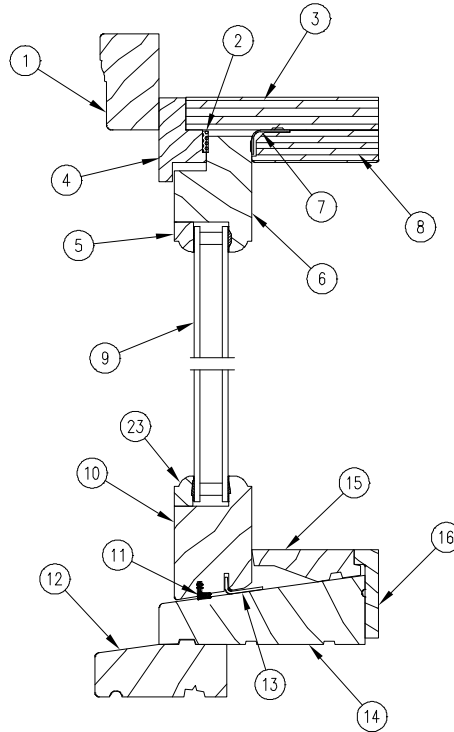
**True Half Circle with or without Spring Line**

NOTE: Not to scale; specifications subject to change without notice.

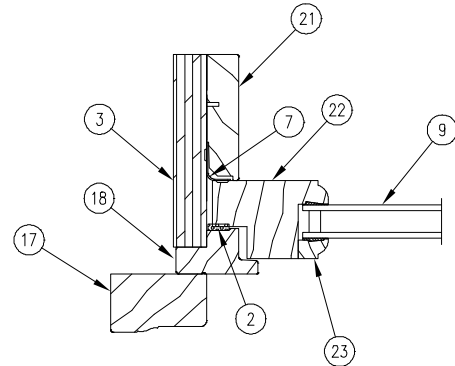
- |   |                                     |   |
|---|-------------------------------------|---|
| 1. Radiused Head Jamb Brick Mould Casing, W1047 | 11. Bottom Rail Weather Strip, V031 | 21. Connecting Barb, V803                   |
| 2. Foam Frame Weather Strip                     | 12. Subsill, W2134                  | 22. Stationary Interior Liner/Filler, W2206 |
| 3. Radiused Head Jamb/Jamb                      | 13. Sash Bracket                    | 23. Stile                                   |
| 4. Radiused Blind Stop, W2203                   | 14. Sill                            | 24. Glazing Bead, W4005                     |
| 5. Radiused Glazing Bead, W8010                 | 15. Sill Filler, W9700              |   |
| 6. Radiused Top Rail                            | 16. Sill Liner, W2179               |   |
| 7. Stationary Sash Bracket                      | 17. Sill Filler Riser, W9703        |   |
| 8. Radiused Filler/Liner, W2206                 | 18. Jamb Brick Mould Casing, W1047  |   |
| 9. Insulated Glass                              | 19. Jamb Blind Stop, W2203          |   |
| 10. Bottom Rail                                 | 20. Jamb                            |   |

**Ultimate Wood Double Hung Transom Round Top  
Ultimate Wood Double Hung Magnum Transom Round Top**

**Head Jamb  
and Sill Detail**



**JAMB DETAIL**



**Eyebrow  
with Non-Continuous Spring Line**

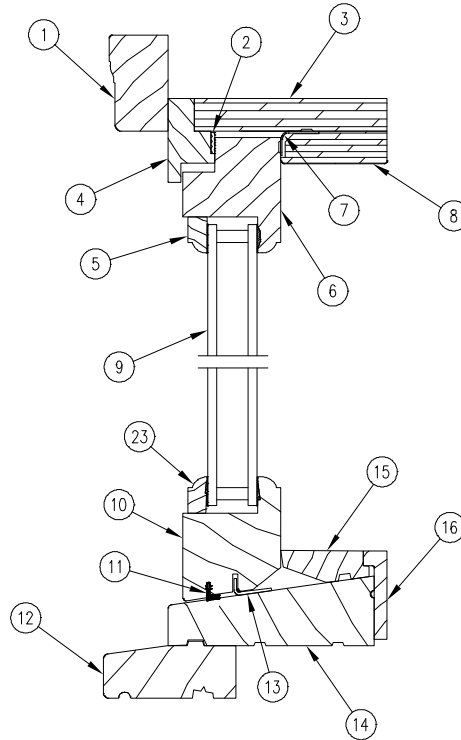
**True Half Circle  
with or without Continuous Spring Line**

NOTE: Not to scale; specifications subject to change without notice.

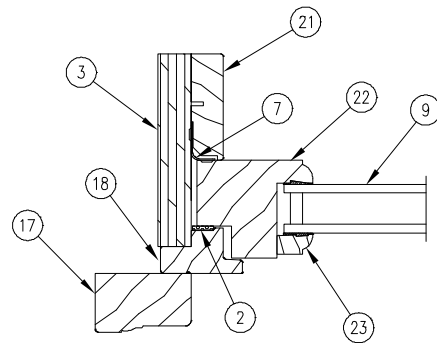
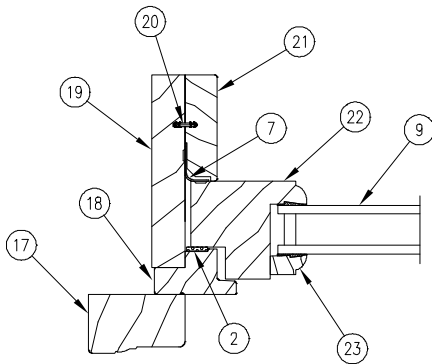
- |   |                                     |   |
|---|-------------------------------------|---|
| 1. Radiused Head Jamb Brick Mould Casing, W1047 | 11. Bottom Rail Weather Strip, V031 | 21. Stationary Interior Filler/Liner, W2191 |
| 2. Foam Frame Weather Strip                     | 12. Subsill, W2134                  | 22. Stile                                   |
| 3. Radiused Head Jamb/Jamb                      | 13. Bottom Rail Sash Bracket        | 23. Glazing Bead, W4009                     |
| 4. Radiused Blind Stop, W2203                   | 14. Sill                            |   |
| 5. Radiused Glazing Bead, W4009                 | 15. Sill Filler, W9699              |   |
| 6. Radiused Top Rail                            | 16. Sill Liner, W2179               |   |
| 7. Stationary Sash Bracket                      | 17. Jamb Brick Mould Casing, W1047  |   |
| 8. Radiused Filler/Liner, W2206                 | 18. Jamb Blind Stop, W2123          |   |
| 9. Insulated Glass                              | 19. Jamb                            |   |
| 10. Bottom Rail                                 | 20. Connecting Barb, V803           |   |

**Ultimate Wood Double Hung Transom Round Top 1 Inch IG**  
**Ultimate Wood Double Hung Magnum Transom Round Top 1 Inch IG**

**Head Jamb and Sill Detail**



**Jamb Detail**



**Eyebrow  
with Non-Continuous Spring Line**

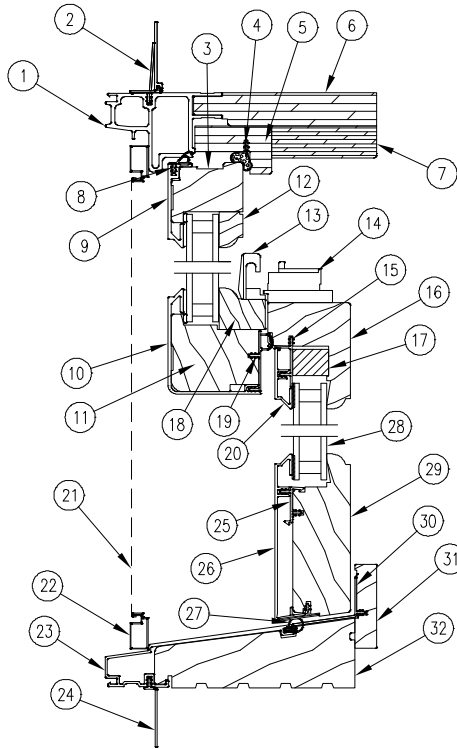
**True Half Circle  
with or without Continuous Spring Line**

NOTE: Not to scale; specifications subject to change without notice.

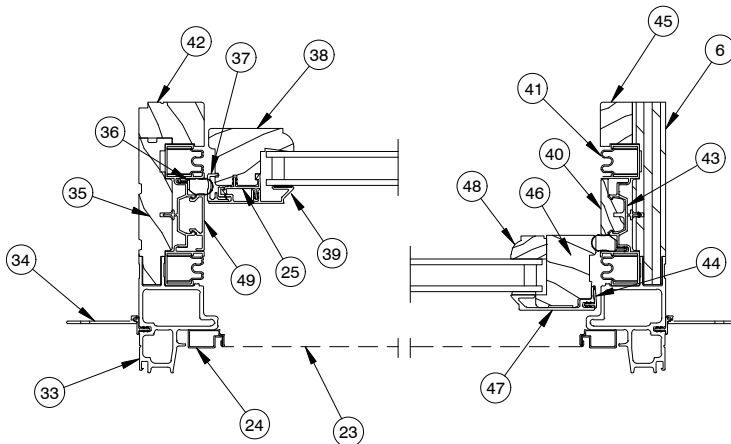
- |   |                                     |   |
|---|-------------------------------------|---|
| 1. Radiused Head Jamb Brick Mould Casing, W1047 | 11. Bottom Rail Weather Strip, V031 | 21. Stationary Interior Filler/Liner, W2206 |
| 2. Foam Frame Weather Strip                     | 12. Subsill, W2134                  | 22. Stile                                   |
| 3. Radiused Head Jamb/Jamb                      | 13. Bottom Rail Sash Bracket        | 23. Glazing Bead, W4009                     |
| 4. Radiused Blind Stop, W2203                   | 14. Sill                            |   |
| 5. Radiused Glazing Bead, W4009                 | 15. Sill Filler, W9700              |   |
| 6. Radiused Top Rail                            | 16. Sill Liner, W2179               |   |
| 7. Stationary Sash Bracket                      | 17. Jamb Brick Mould Casing, W1047  |   |
| 8. Radiused Filler/Liner, W2206                 | 18. Jamb Blind Filler, W2203        |   |
| 9. Insulated Glass                              | 19. Jamb                            |   |
| 10. Bottom Rail                                 | 20. Connecting Barb, V803           |   |

**Ultimate Double Hung Round Top Operator DISC LA PRE 6/29/15**

**Head Jamb and Sill Detail**



1. Radiused Head Jamb Cladding
2. Radiused Nailing Fin, V110
3. Radiused Top Rail
4. Head Jamb Parting Stop Weather Strip, V025
5. Radiused Head Jamb Parting Stop, W2101
6. Radiused Head Jamb/Jamb
7. Radiused Head Jamb Liner/Filler, W2106
8. Top Rail Weather Strip, V195
9. Radiused Top Rail Cladding
10. Top Check Rail Cladding
11. Top Check Rail
12. Radiused Glazing Bead, W7680
13. Keeper
14. Lock
15. Bottom Checkrail Clad Connector
16. Bottom Check Rail
17. Bottom Check Rail Subassembly
18. Top Sash Check Rail Glazing Bead, W4003
19. Top Check Rail Weather Strip, V920
20. Bottom Check Rail Cladding
21. Screen Mesh
22. Screen Frame
23. Sill Cladding
24. Sill Nailing Fin, V084
25. Cladding Connector
26. Bottom Rail Cladding
27. Bottom Rail Weather Strip, V937
28. Insulated Glass
29. Bottom Rail
30. Sill Cover, V931
31. Sill Liner
32. Sill
33. Jamb Cladding
34. Jamb Nailing Fin, V104
35. Jamb
36. Frame Weather Strip, 2838
37. Contact Strip, V943
38. Bottom Stile
39. Bottom Stile Cladding
40. Wood Jamb Liner, W2018
41. Sash Balance Tube
42. Interior Jamb Liner, W2533
43. Vinyl Jamb Liner, V100
44. Sash Trim
45. Continuous Springline Jamb Liner, W2105
46. Top Stile
47. Top Stile Cladding
48. Glazing Bead, W7680
49. Clad Jamb Filler, A197



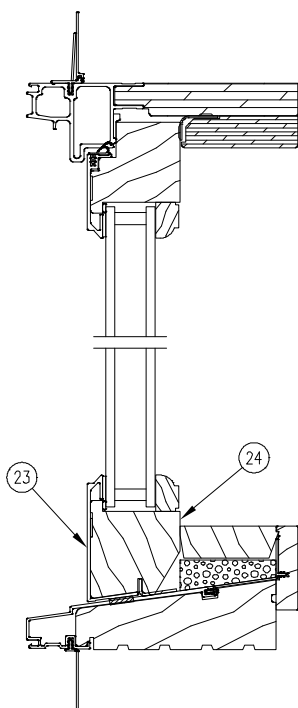
**Jamb Detail**

NOTE: Not to scale; specifications subject to change without notice.

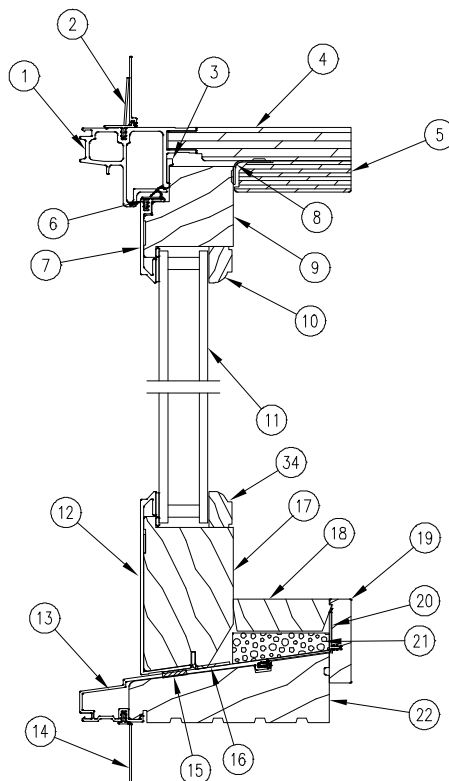
**Ultimate Double Hung Transom Round Top 1 Inch IG DISC LA PRE 6/29/15**

**Ultimate Double Hung Picture Round Top 1 Inch DISC LA PRE 6/29/15**

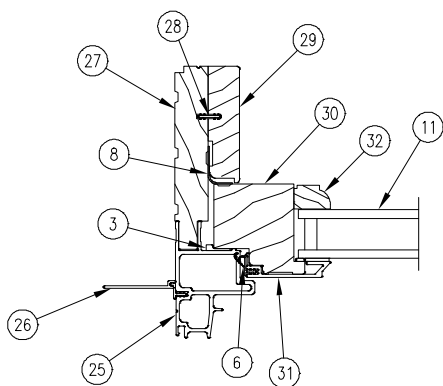
**Head Jamb and Sill Detail**



**Transom Head Jamb and Sill Detail**

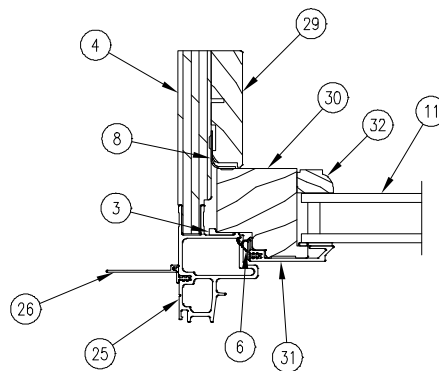


**Picture Head Jamb and Sill Detail**



**Eyebrow with Spring Line**

**Jamb Detail**



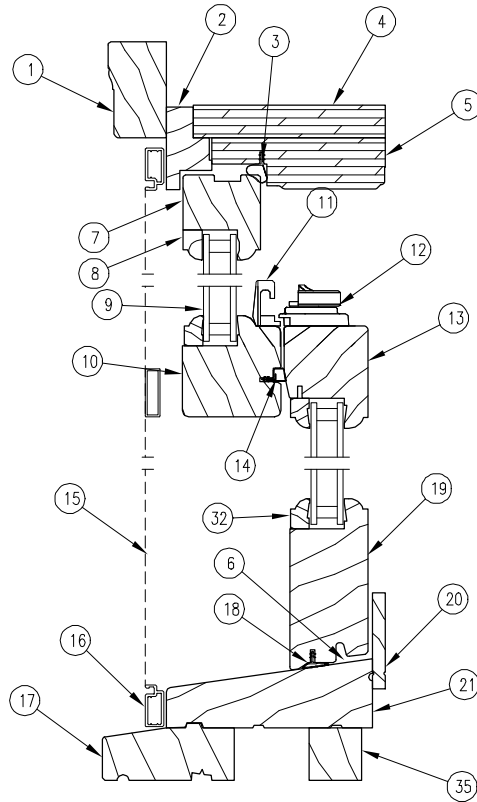
**True Half Circle with or without Spring Line**

NOTE: Not to scale; specifications subject to change without notice.

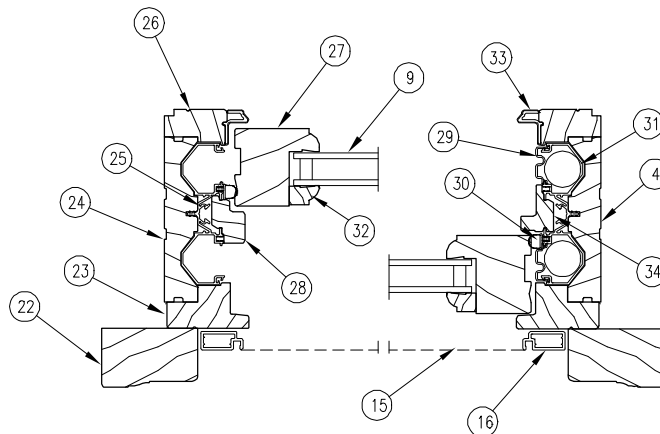
- |   |                                  |                                  |
|---|----------------------------------|----------------------------------|
| 1. Radiused Head Jamb Cladding            | 12. Picture Bottom Rail Cladding | 23. Transom Bottom Rail Cladding |
| 2. Radiused Nailing Fin, V110             | 13. Sill Cladding                | 24. Transom Bottom Rail          |
| 3. Foam Tape                              | 14. Sill Nailing Fin, V084       | 25. Jamb Cladding                |
| 4. Radiused Head Jamb/Jamb                | 15. Foam Tape                    | 26. Jamb Nailing Fin, V104       |
| 5. Radiused Head Jamb liner/Filler, W2135 | 16. Sill Bracket                 | 27. Jamb                         |
| 6. Top Rail Weather Strip, V195           | 17. Picture Bottom Rail          | 28. Connecting Barb, V803        |
| 7. Radiused Top Rail Cladding             | 18. Sill Filler, W3119           | 29. Interior Liner/Filler, W2111 |
| 8. Stationary Bracket                     | 19. Sill Liner, W2531            | 30. Stile                        |
| 9. Radiused Top Rail                      | 20. Sill Cover, V931             | 31. Stile Cladding               |
| 10. Radiused Glazing Bead, W7680          | 21. Foam Sill Filler             | 32. Glazing Bead, W7680          |
| 11. Insulated Glass                       | 22. Sill                         |                                  |

**Ultimate Wood Double Hung Magnum Round Top**

**Head Jamb and Sill Detail**



**Jamb Detail**



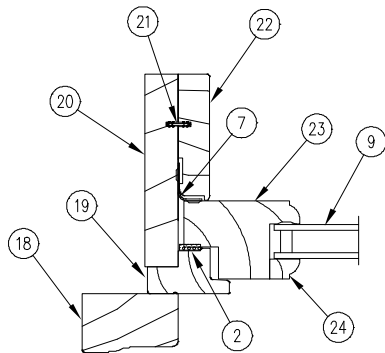
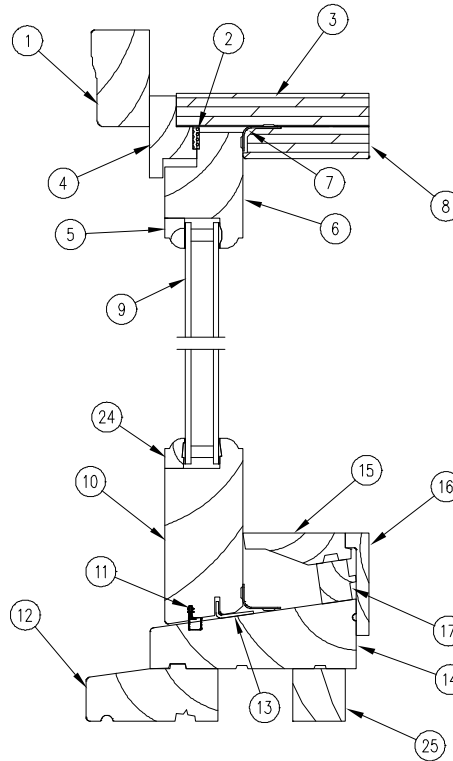
NOTE: Not to scale; specifications subject to change without notice.

- |  |                                    |   |
|--|------------------------------------|---|
| 1. Radiused Head Jamb Brick Mould Casing | 13. Bottom Checkrail               | 25. Vinyl Jamb Carrier, V1375               |
| 2. Radiused Blind Stop                   | 14. Checkrail Weather Strip, V031  | 26. Interior Jamb Liner, W8880              |
| 3. Parting Stop Weather Strip, V025      | 15. Screen Mesh                    | 27. Stile                                   |
| 4. Radiused Head Jamb/Jamb               | 16. Screen Frame                   | 28. Wood Jamb Filler, W8927                 |
| 5. Radiused Head Jamb Liner/Filler       | 17. Subsill, W2134                 | 29. Balance Tube Cover                      |
| 6. Sill Bracket                          | 18. Sash Weather Strip, V147       | 30. Frame Weather Strip, V1419              |
| 7. Radiused Top Rail                     | 19. Bottom Rail                    | 31. Balance Tube                            |
| 8. Radiused Glazing Bead                 | 20. Sill Liner, W8914              | 32. Glazing Bead, W4009                     |
| 9. Insulated Glass                       | 21. Sill                           | 33. Wood Wrap Aluminum Interior Stop, A1402 |
| 10. Top Checkrail                        | 22. Jamb Brick Mould Casing, W1047 | 34. Interior Jamb Filler, W8878             |
| 11. Keeper                               | 23. Jamb Blind Stop, W2123         | 35. Standing Block                          |
| 12. Lock                                 | 24. Jamb                           |   |



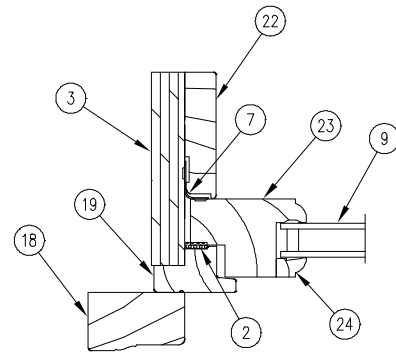
**Ultimate Wood Double Hung Magnum Picture Round Top**

**Head Jamb and Sill Detail**



**Eyebrow  
with Non-Continuous Spring Line**

**Jamb Detail**



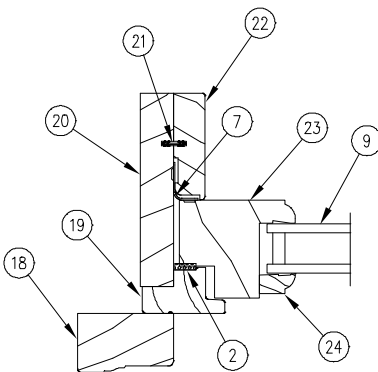
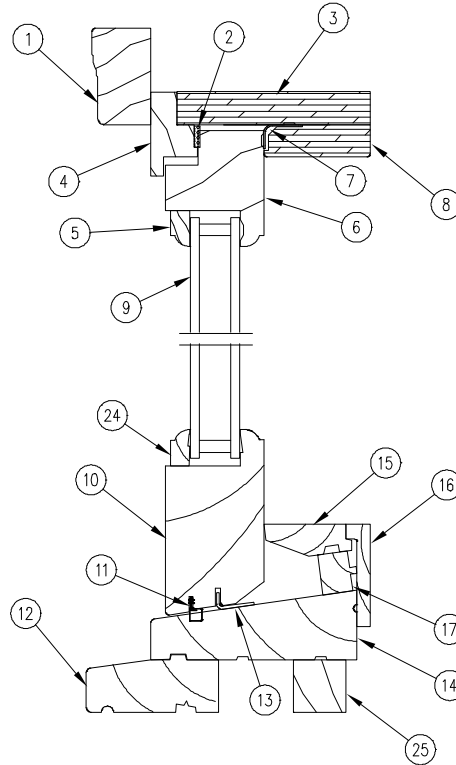
**True Half Circle  
with or without Continuous Spring Line**

NOTE: Not to scale; specifications subject to change without notice.

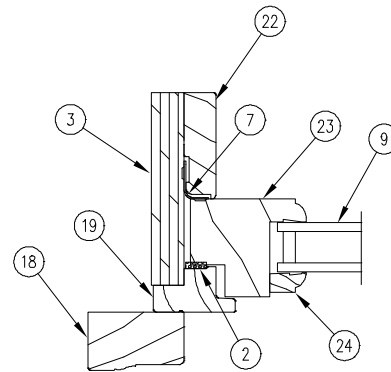
- |  |                                    |   |
|--|------------------------------------|---|
| 1. Radiused Head Jamb Brick Mould Casing | 11. Rail Weather Strip, V031       | 21. Connection Barb, V803                   |
| 2. Foam Frame Weather Strip              | 12. Subsill, W2134                 | 22. Stationary Interior Filler/Liner, W2191 |
| 3. Radiused Head Jamb/Jamb               | 13. Bottom Rail Sash Bracket       | 23. Stile                                   |
| 4. Radiused Blind Stop                   | 14. Sill                           | 24. Glazing Bead, W4009                     |
| 5. Radiused Glazing Bead                 | 15. Sill Filler, W8027             | 25. Standing Block                          |
| 6. Radiused Top Rail                     | 16. Sill Liner, W8992              |   |
| 7. Stationary Sash Bracket               | 17. Sill Filler Riser, W8026       |   |
| 8. Radiused Stationary Filler/Liner      | 18. Jamb Brick Mould Casing, W1047 |   |
| 9. Insulated Glass                       | 19. Jamb Blind Stop, W2123         |   |
| 10. Bottom Rail                          | 20. Jamb                           |   |

**Ultimate Wood Double Hung Magnum Picture Round Top 1 Inch IG**

**Head Jamb  
and Sill Detail**



**Eyebrow  
with Non-Continuous Spring Line**



**True Half Circle  
with or without Continuous Spring Line**

**Jamb Detail**

NOTE: Not to scale; specifications subject to change without notice.

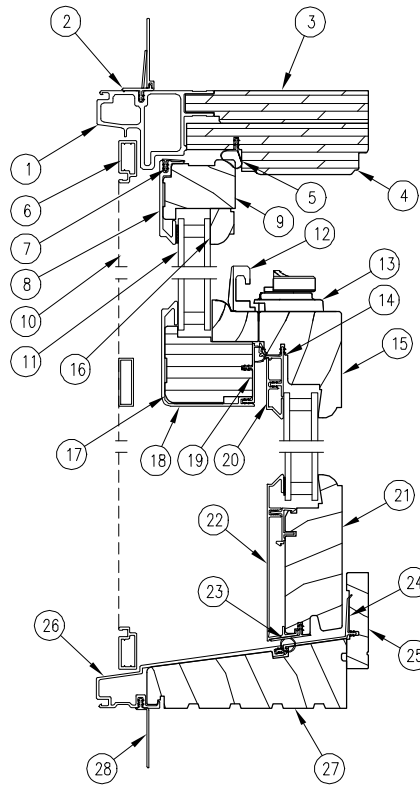
- 1. Radiused Head Jamb Brick Mould Casing
- 2. Foam Frame Weather Strip
- 3. Radiused Head Jamb/Jamb
- 4. Radiused Blind Stop
- 5. Radiused Glazing Bead
- 6. Radiused Top Rail
- 7. Stationary Sash Bracket
- 8. Radiused Stationary Filler/Liner
- 9. Insulated Glass
- 10. Bottom Rail

- 11. Rail Weather Strip, V031
- 12. Subsill, W2134
- 13. Bottom Rail Sash Bracket
- 14. Sill
- 15. Sill Filler, W8027
- 16. Sill Liner, W8992
- 17. Sill Filler Riser, W8026
- 18. Jamb Brick Mould Casing, W1047
- 19. Jamb Blind Stop, W2203
- 20. Jamb

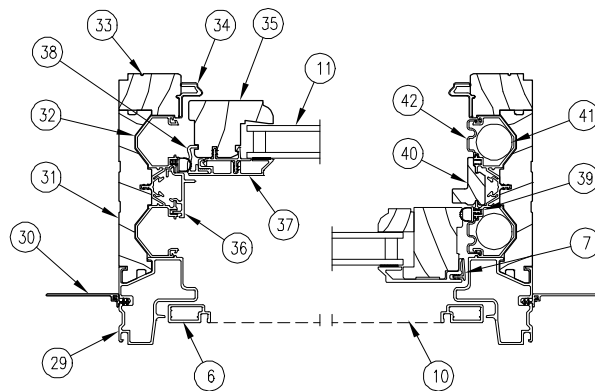
- 21. Connection Barb, V803
- 22. Stationary Interior Filler/Liner, W2191
- 23. Stile
- 24. Glazing Bead, W4005
- 25. Standing Block

**Ultimate Double Hung Magnum Round Top DISC LA PRE 6/25/18**

**Head Jamb and Sill Detail**



**Jamb Detail**



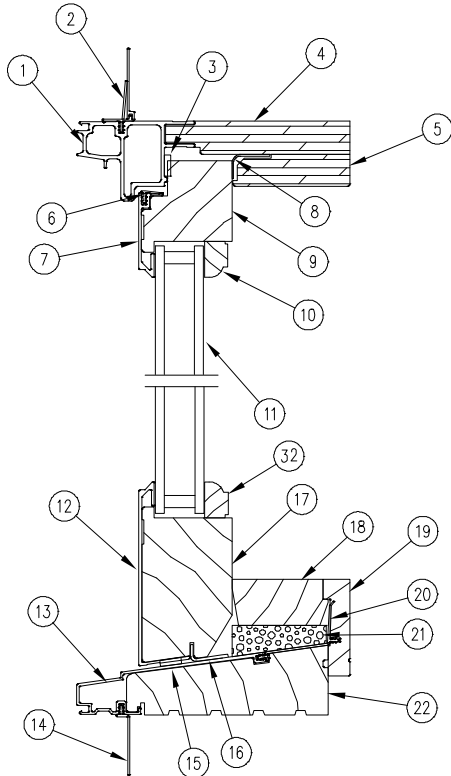
NOTE: Not to scale; specifications subject to change without notice.

- 1. Head Jamb Cladding
- 2. Head Jamb Nailing Fin/Drip Cap
- 3. Head Jamb
- 4. Head Jamb Interior Filler
- 5. Parting Stop Weather Strip, V025
- 6. Screen Frame, A133
- 7. Sash Trim, V004
- 8. Top Rail Cladding
- 9. Top Rail
- 10. Screen Mesh
- 11. Insulated Glass
- 12. Sash Keeper
- 13. Sash Lock
- 14. Btm. Ckrl Cladding Connector, V929

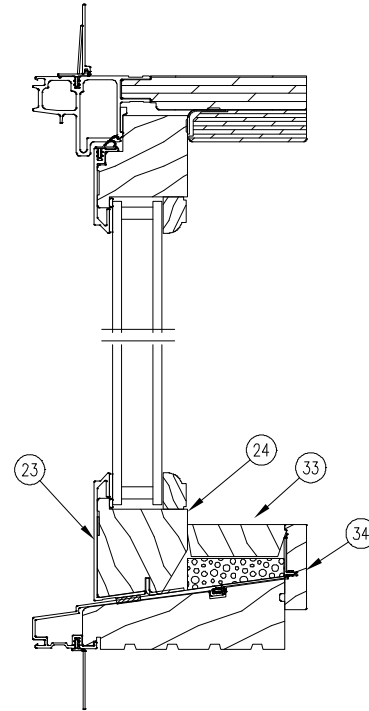
- 15. Bottom Checkrail
- 16. Top Rail Glazing Bead
- 17. Top Checkrail
- 18. Top Checkrail Cladding
- 19. Top Checkrail Weather Strip, V920
- 20. Bottom Checkrail Cladding
- 21. Bottom Rail
- 22. Bottom Rail Cladding
- 23. Bottom Rail Weather Strip, V937
- 24. Sill Cover, V931
- 25. Sill Liner, W8860
- 26. Sill Cladding
- 27. Sill
- 28. Sill Nailing Fin, V084

- 29. Jamb Cladding
- 30. Side Jamb Nailing Fin, V104
- 31. Side Jamb
- 32. Vinyl Jamb Carrier V1375
- 33. Interior Jamb Liner, W8877
- 34. Jamb Liner Stop, A1402
- 35. Stile
- 36. Clad Jamb Filler, A1388
- 37. Stile Cladding
- 38. Contact Strip, V1500
- 39. Frame Weather Strip, A1419
- 40. Interior Wood Jamb Filler, W8878
- 41. Sash Balance Tube
- 42. Balance Cover, A1387

**Ultimate Double Hung Magnum Round Top DISC LA PRE 6/25/18  
 Picture And Transom**

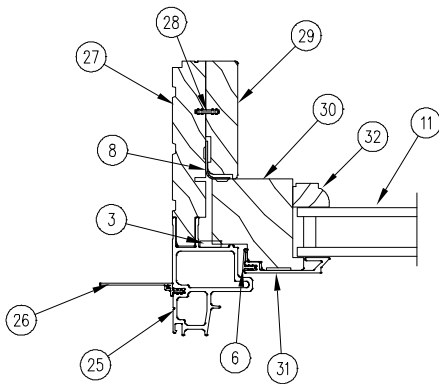


**Picture**

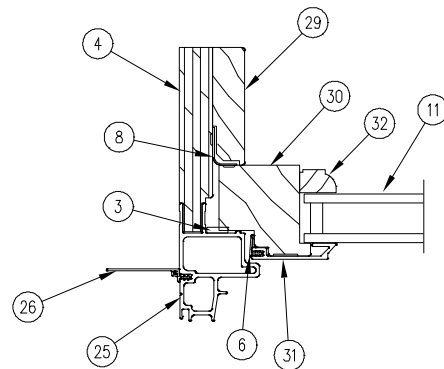


**Transom**

**Head Jamb  
 and Sill Detail**



**Eyebrow  
 with Non-Continuous Spring Line**



**True Half Circle  
 with or without Continuous Spring Line**

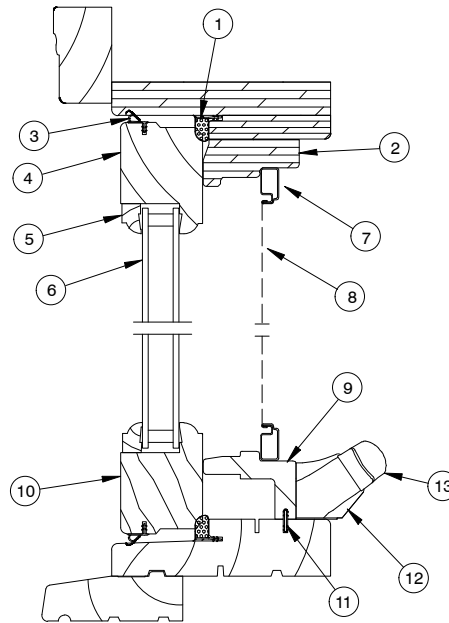
**Jamb Detail**

NOTE: Not to scale; specifications subject to change without notice.

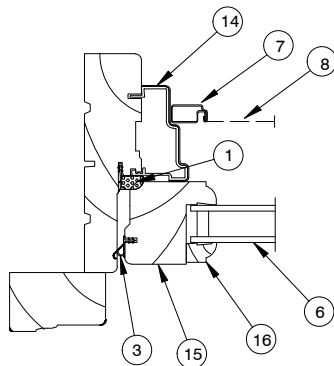
- |                                    |                                  |                                  |                         |
|------------------------------------|----------------------------------|----------------------------------|-------------------------|
| 1. Radiused Head Jamb Cladding     | 11. Insulated Glass              | 21. Foam Sill Filler             | 31. Stile Cladding      |
| 2. Radiused Nailing Fin            | 12. Picture Bottom Rail Cladding | 22. Sill                         | 32. Glazing Bead, W7680 |
| 3. Foam Tape                       | 13. Sill Cladding                | 23. Transom Btm Rail Cladding    | 33. Sill Filler, W3119  |
| 4. Radiused Head Jamb/Jamb         | 14. Sill Nailing Fin, V084       | 24. Transom Btm Rail             | 34. Sill Liner, W2531   |
| 5. Radiused Head Jamb Liner/Filler | 15. Foam Tape                    | 25. Jamb Cladding                |                         |
| 6. Sash Trim, V004                 | 16. Sill Bracket                 | 26. Jamb Nailing Fin, V104       |                         |
| 7. Radiused Top Rail Cladding      | 17. Picture Bottom Rail          | 27. Jamb                         |                         |
| 8. Stationary Bracket              | 18. Sill Filler, W9643           | 28. Connecting Barb, V803        |                         |
| 9. Radiused Top Rail               | 19. Sill Liner, W8991            | 29. Interior Liner/Filler, W2111 |                         |
| 10. Radiused Glazing Bead, W7680   | 20. Sill Cover, V931             | 30. Stile                        |                         |

**Ultimate Wood Casemaster Operator Round Top DISC LA PRE 2010 (Eyebrow)**  
**Discontinued 07-27-2009**

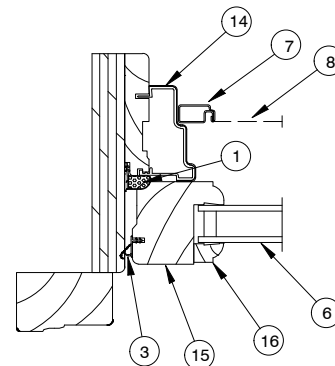
**Head Jamb and Sill Detail**



**Jamb Detail**



**Operator (Eyebrow)**

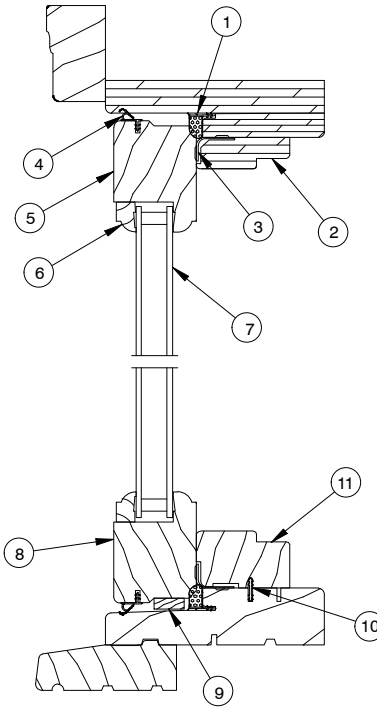


**True Half Circle above Spring Line**

NOTE: Not to scale; specifications subject to change without notice.

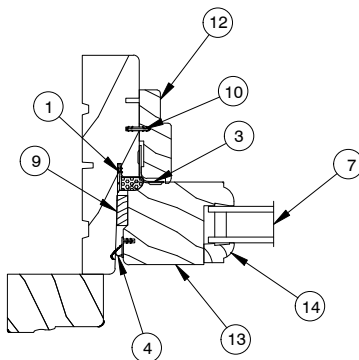
- |  |                            |
|--|----------------------------|
| 1. Frame Weather Strip, V506               | 9. Hardware Cover, W8459   |
| 2. Radiused Operator Head Jamb Stop, W8607 | 10. Bottom Rail            |
| 3. Sash Weather Strip, V195                | 11. Connecting Barb, V803  |
| 4. Radiused Sash-Top Rail                  | 12. Folding Handle Cover   |
| 5. Radiused Glazing Bead, W4009            | 13. Folding Handle         |
| 6. Insulated Glass                         | 14. Vinyl Side Stop, V1162 |
| 7. Screen Frame, A135                      | 15. Stile                  |
| 8. Screen Mesh                             | 16. Glazing Bead, W4009    |

**Ultimate Wood Casemaster Operator Round Top DISC LA PRE 2010 (True Half Circle)**  
**Discontinued 07-27-2009**



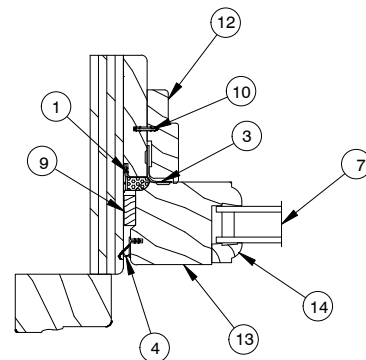
**Head Jamb  
and Sill Detail**

**With or without Spring Line**



**Eyebrow  
with Spring Line**

**Jamb Detail**



**True Half Circle  
with or without Spring Line**

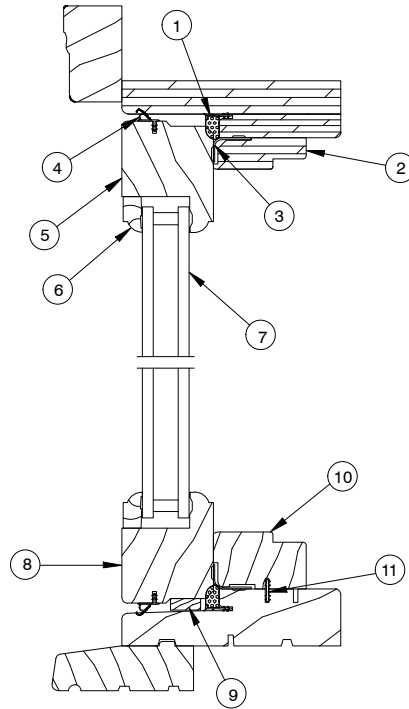
NOTE: Not to scale; specifications subject to change without notice.

- 1. Frame Weather Strip, V506
- 2. Radiused Head Jamb Stationary Stop, W7085
- 3. Stationary Sash Bracket
- 4. Sash Weather Strip, V195
- 5. Radiused Top Rail
- 6. Radiused Glazing Bead, W4009
- 7. Insulated Glass

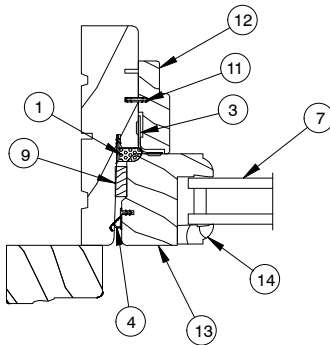
- 8. Bottom Rail
- 9. Stationary Sash Setting Block, W7681
- 10. Connecting Barb, V803
- 11. Sill Cover, See Casemaster Round Top Wood Parts
- 12. Side Stop, W8462
- 13. Stile
- 14. Glazing Bead, W4009

**Ultimate Wood Casemaster Round Top DISC LA PRE 2010**  
**1" Picture Unit**  
**Discontinued 07-27-2009**

**Head Jamb and Sill Detail**

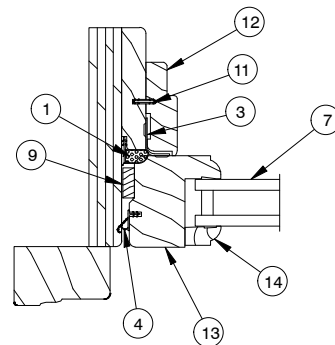


**With or without Spring Line**



**Eye brow  
with Spring Line**

**Jamb Detail**



**True Half Circle  
with or without Spring Line**

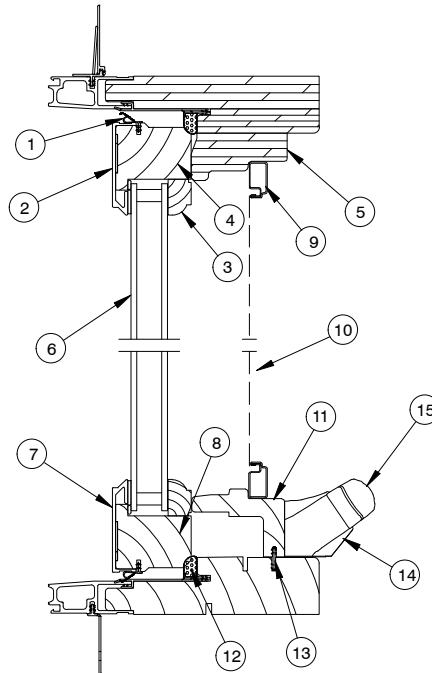
NOTE: Not to scale; specifications subject to change without notice.

- 1. Frame Weather Strip, V506
- 2. Radiused Head Jamb Stationary Stop, W7085
- 3. Stationary Sash Bracket
- 4. Sash Weather Strip, V195
- 5. Radiused Top Rail
- 6. Radiused Glazing Bead, W4005
- 7. Insulated Glass

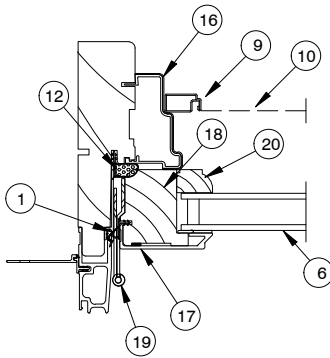
- 8. Bottom Rail
- 9. Stationary Sash Setting Block, W7681
- 10. Sill Cover, See Casemaster Round Top Wood Parts
- 11. Connecting Barb, V803
- 12. Side Stop, W8462
- 13. Stile
- 14. Glazing Bead, W4005

**Ultimate Casemaster Operator Round Top DISC LA PRE 2010**  
**Discontinued 07-27-2009**

**Head Jamb and Sill Detail**

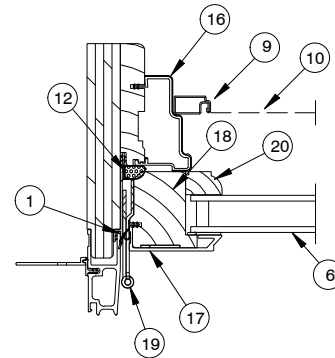


**With or without Spring Line**



**Eye brow  
with Spring Line**

**Jamb Detail**



**True Half Circle  
with or without Spring Line**

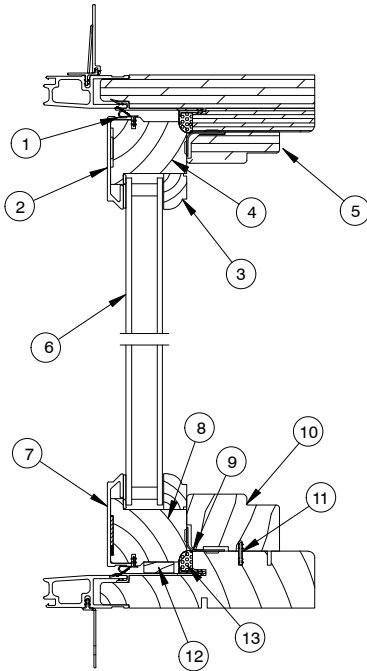
NOTE: Not to scale; specifications subject to change without notice.

- |                                   |                                    |
|-----------------------------------|------------------------------------|
| 1. Sash Weather Strip, V195       | 11. Hardware Cover, W8459          |
| 2. Top Rail Cladding              | 12. Frame Weather Strip, V506      |
| 3. Radiused Glazing Bead, W7680   | 13. Connecting Barb, V803          |
| 4. Radiused Top Rail              | 14. Folding Handle Cover           |
| 5. Radiused Head Jamb Stop, W8607 | 15. Folding Handle                 |
| 6. Insulated Glass                | 16. Operator Jamb Side Stop, V1162 |
| 7. Bottom Rail Cladding           | 17. Stile Cladding                 |
| 8. Bottom Rail                    | 18. Stile                          |
| 9. Screen Frame, A135             | 19. Hinge                          |
| 10. Screen Mesh                   | 20. Glazing Bead, W7680            |

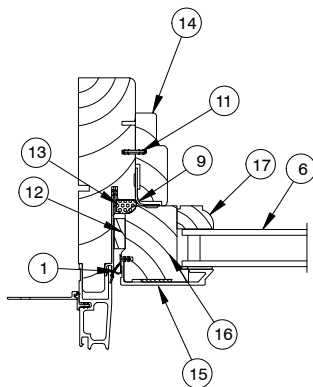


**Ultimate Casemaster Round Top DISC LA PRE 2010  
 Stationary  
 Discontinued 07-27-2009**

**Head Jamb  
 and Sill Detail**

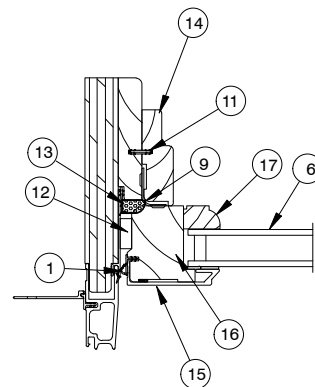


**With or without Spring Line**



**Eyebrow  
 with Spring Line**

**Jamb Detail**



**True Half Circle  
 with or without Spring Line**

NOTE: Not to scale; specifications subject to change without notice.

- 1. Sash Weather Strip, V195
- 2. Top Rail Cladding
- 3. Radiused Glazing Bead, W7680
- 4. Radiused Top Rail
- 5. Radiused Head Jamb Stop, W7085
- 6. Insulated Glass
- 7. Bottom Rail Cladding
- 8. Bottom Rail
- 9. Stationary Bracket

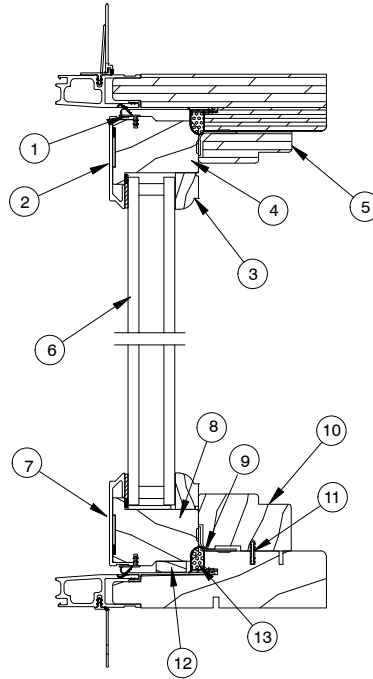
- 10. Sill Cover, see Casemaster Round Top Wood Parts
- 11. Connecting Barb, V803
- 12. Stationary Sash Setting Block, W7681
- 13. Frame Weather Strip, V506
- 14. Jamb Stop, W8462
- 15. Stile Cladding
- 16. Stile
- 17. Glazing Bead, W7680

**Ultimate Casemaster Round Top DISC LA PRE 2010**

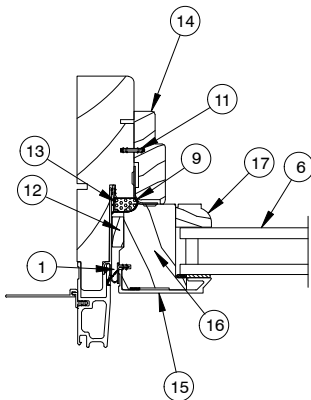
**1" Picture**

**Discontinued 07-27-2009**

**Head Jamb and Sill Detail**

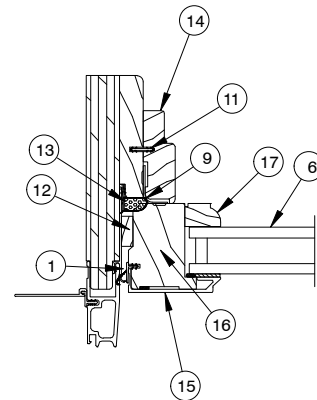


**With or without Spring Line**



**Eyebrow with Spring Line**

**Jamb Detail**

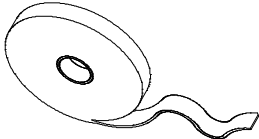



**True Half Circle with or without Spring Line**

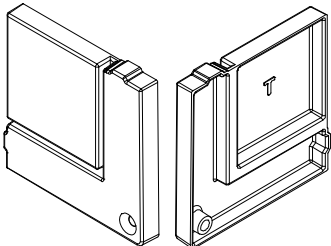
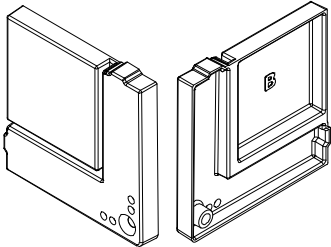
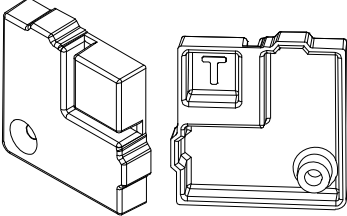
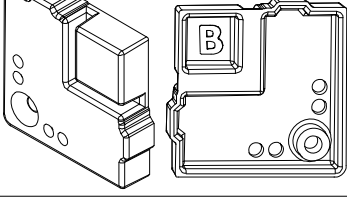

NOTE: Not to scale; specifications subject to change without notice.

- |                                   |   |
|-----------------------------------|---|
| 1. Sash Weather Strip, V195       | 10. Sill Cover, see Casemaster Round Top Wood Parts |
| 2. Top Rail Cladding              | 11. Connecting Barb, V803                           |
| 3. Radiused Glazing Bead, W7680   | 12. Stationary Sash Setting Block, W7681            |
| 4. Radiused Top Rail              | 13. Frame Weather Strip, V506                       |
| 5. Radiused Head Jamb Stop, W7085 | 14. Jamb Stop, W8462                                |
| 6. Insulated Glass                | 15. Stile Cladding                                  |
| 7. Bottom Rail Cladding           | 16. Stile   |
| 8. Bottom Rail                    | 17. Glazing Bead, W7680                             |
| 9. Stationary Bracket             |   |

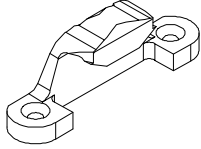
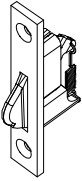
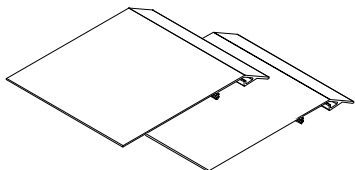
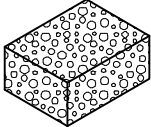
**ULTIMATE/ULTIMATE WOOD DIRECT GLAZE POLYGON**

ILLUSTRATION <i>NOT TO SCALE</i>	DESCRIPTION	LENGTH	PART NUMBER
	<p><b>Foam Interior Glazing Tape</b>                      Ultimate/Ultimate Wood Direct Glaze Polygon and IZ3                      June 24, 2013 – Present</p>	L/F	11406211
	<p><b>Attachment Barb</b>                      V2225                      Ultimate Direct Glaze Polygon and IZ3                      Ultimate Direct Glaze Corner DISC LA PRE 8/28/17                      June 24, 2013 – Present</p>	150"	16000799

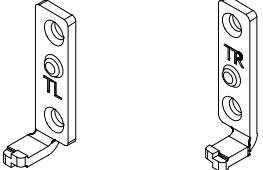
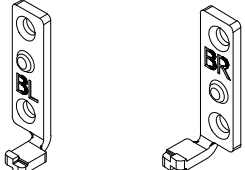
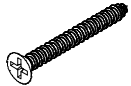
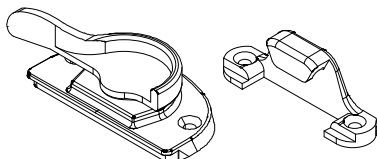
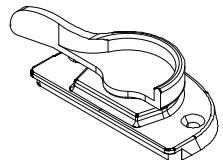
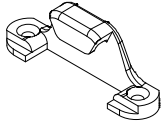
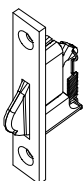
**ULTIMATE DIRECT GLAZE CORNER AND NARROW FRAME CORNER**

ILLUSTRATION <i>NOT TO SCALE</i>	DESCRIPTION	OPER./ COLOR	PART NO.
	<p><b>End Cap, Top</b> Ultimate Direct Glaze Corner Ultimate Direct Glaze Corner DISC LA Pre 8/28/17</p>	Black	10500888
	<p><b>End Cap, Bottom</b> Ultimate Direct Glaze Corner Ultimate Direct Glaze Corner DISC LA Pre 8/28/17</p>	Black	10500887
	<p><b>End Cap, Top</b> Ultimate Direct Glaze Narrow Frame Corner Ultimate Direct Glaze Narrow Frame Corner DISC LA Contemporary</p>	Black	10500885
	<p><b>End Cap, Bottom</b> Ultimate Direct Glaze Narrow Frame Corner Ultimate Direct Glaze Narrow Frame Corner DISC LA Contemporary</p>	Black	10500886
	<p><b>End Cap, Screw</b> #7-19 X 5/8" AB-17, Full Thread</p>		11830009

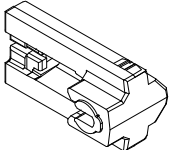
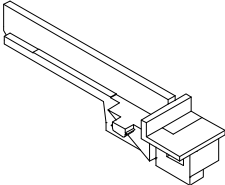
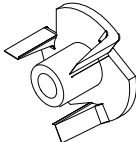
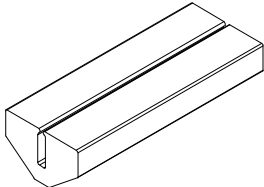
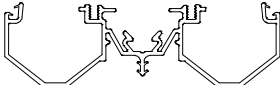
**ULTIMATE WOOD DOUBLE HUNG ROUND TOP  
ULTIMATE DOUBLE HUNG ROUND TOP DISC LA PRE 6/29/15**

ILLUSTRATION <i>NOT TO SCALE</i>	DESCRIPTION	OPER./COLOR	PART NO.
	<p><b>Keeper – Round Top</b>  <i>Includes:</i>                      1 – Keeper                      2 – #7x1 1/4” Phillips flathead wood screws                      NOTE: Longer screw needed for Round Tops</p>	<p>Satin Taupe                      Bronze                      White                      Brass</p>	<p>11869273                      11869270                      11869271                      11869272</p>
	<p><b>End Plate Assembly</b>  <i>Includes:</i>                      1 – Tilt latch assembly                      2 – #6x5/8” Phillips flathead wood screws (11800519)</p>		<p>10500600</p>
	<p><b>Top Sash Tilt Jig Pkg</b>  <i>Includes:</i>                      2 – Tilt jigs (15350014)</p>		<p>11869285</p>
	<p><b>Stile End Foam Pad – Round Top Picture/Transom</b></p>	<p>Gray</p>	<p>15350004</p>

**ULTIMATE WOOD DOUBLE HUNG MAGNUM ROUND TOP**  
**ULTIMATE DOUBLE HUNG MAGNUM ROUND TOP DISC LA PRE 6/25/18**

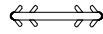
ILLUSTRATION <i>NOT TO SCALE</i>	DESCRIPTION	OPER./COLOR	PART NO.
 <p>Left Hand      Right Hand</p>	<p><b>Top Sash Pivot Pin</b></p> <p><i>Note: Handing determined from exterior.</i></p>	<p>RH LH</p>	<p>10500562 10500563</p>
 <p>Left Hand      Right Hand</p>	<p><b>Bottom Sash Pivot Pin</b></p> <p><i>Note: Handing determined from exterior.</i></p>	<p>RH LH</p>	<p>10500564 10500565</p>
	<p><b>#7 x 1 1/4" Phillips Flat Head Self Tapping Screw</b></p> <p><i>For Sash Pivot Pins</i></p>		<p>11807113</p>
	<p><b>Sash Lock and Keeper, Complete</b></p> <p><i>Includes:</i></p> <ul style="list-style-type: none"> <li>1 - Sash lock</li> <li>1 - Keeper</li> <li>2 - #7 x 7/8" Phillips flat head screws</li> <li>2 - #7 x 1 1/4" Phillips flat head screws</li> </ul>	<p>White Bronze Satin Taupe</p>	<p>11860985 11860986 11860987</p>
	<p><b>Sash Lock</b></p> <p><i>Includes:</i></p> <ul style="list-style-type: none"> <li>1 - Sash lock</li> <li>2 - #7 x 7/8" Phillips flat head screws</li> </ul> <p>WH (10840019, AB (11800788) BZ (11800779), SC (11800789) TP (11800786), ORBZ (11800794) BS (11800787), SN (11800796)</p>	<p>Bronze (BZ) White (WH) Satin Taupe (TP) Brass (BS) Satin Chrome (SC) Antique Brass (AB) Oil Rubbed Bronze (ORBZ) Satin Nickel (SN)</p>	<p>10500802 10500804 10500806 10500808 10500810 10500814 10500816 10500818</p>
	<p><b>Lock Keeper Kit</b></p> <p><i>Includes:</i></p> <ul style="list-style-type: none"> <li>1 - Keeper (10500676)</li> <li>2 - #7 x 1 1/4" Phillips flat head screws</li> </ul>	<p>Bronze (BZ) White (WH) Satin Taupe (TP) Brass (BS) Satin Chrome (SC) Antique Brass (AB) Oil Rubbed Bronze (ORBZ) Satin Nickel (SN)</p>	<p>11862501 11862500 11862502 11862503 11862505 11862504 11862506 11862507</p>
	<p><b>End Plate Assembly</b></p> <p><i>Includes:</i></p> <ul style="list-style-type: none"> <li>1 - Tilt latch assembly</li> <li>2 - #6x5/8" Phillips flathead wood screws 11800519</li> </ul>		<p>10500600</p>

**ULTIMATE WOOD DOUBLE HUNG MAGNUM ROUND TOP  
ULTIMATE DOUBLE HUNG MAGNUM ROUND TOP DISC LA PRE 6/25/18**

ILLUSTRATION <i>NOT TO SCALE</i>	DESCRIPTION	OPER./ COLOR	PART NO.
	<b>Clutch Assembly</b>		10500568
	<b>Sill Liner End Plug</b>	LH (Black)  RH (Natural)	11867836  11867837
	<b>T Nut and Screws (package)</b> <i>Includes:</i> 4 - T-nuts (05080250) 4 - #8 x 1 1/8" machine screws(11800657)		05570911
	<b>Sash Bumper</b> V1391		11860430
	<b>Vinyl Jamb Liner, V1375</b> Lineal, 132" (3353)	Beige White	15352699 15352799

When ordering vinyl replacement parts specify:

1. Original order number, if available;
2. profile;
3. color;



V803

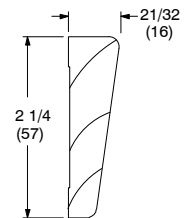


**TO ORDER REPLACEMENT ROUND TOP INTERIOR TRIM, SPECIFY:**

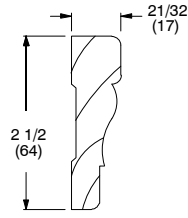
1. Original order number, line number or call number
2. profile number (specify Pine or Oak);
3. rough opening or length;
4. finish;
5. radius only or entire unit;
6. template (if required).

**NOTE:** Longest length available for pine trim is 168". Longest length available for oak trim is 120".  
 RT51-53, 58-61 or any type of inverted radius will have flat profile only.

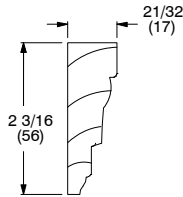
	Ultimate and Ultimate Wood
Interior Trim (previously known as MM44)	W1144
Interior Trim (previously known as WM351)	W1351
Interior Trim (previously known as WP366)	W1366
Interior Trim (previously known as WM376)	W1376
Interior Trim (previously known as WM445)	W1445
Interior Trim - 4/4 Flat	W6328
NOTE: Interior trim is also used on French Door Arch Top	



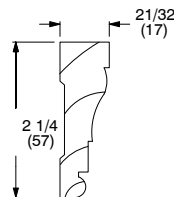
**W1144**  
Interior Trim



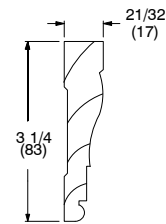
**W1351**  
Interior Trim



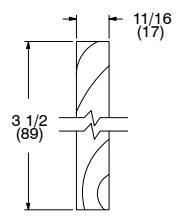
**W1366**  
Interior Trim



**W1376**  
Interior Trim



**W1445**  
Interior Trim



**W6328**  
Interior Trim  
4/4 Flat

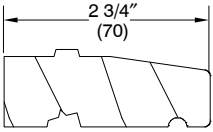
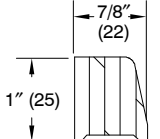
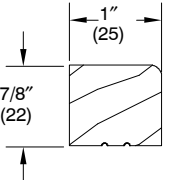
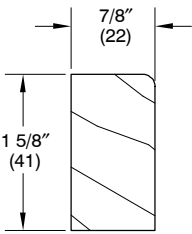
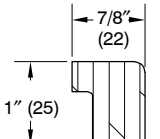
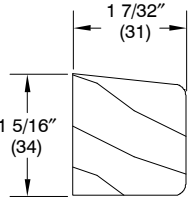
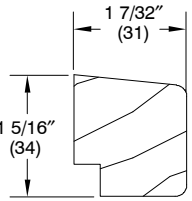
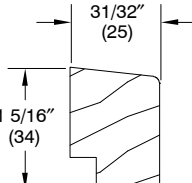
ILLUSTRATION NOT TO SCALE	DESCRIPTION	Ultimate Wood	Ultimate
	<b>Subsill</b> Ultimate Wood Direct Glaze Polygon and Round Top	W10333	---
	<b>Exterior Stop</b> Ultimate Wood Direct Glaze Round Top	W11989	---
	<b>Glazing Bead, IG</b> Ultimate Wood Direct Glaze Polygon and Round Top Ultimate Direct Glaze Polygon and Round Top	W11751	W11751
	<b>Glazing Bead, SG</b> Ultimate Wood Direct Glaze Polygon Ultimate Direct Glaze Polygon	W12092	W12092
	<b>Radius Glazing Bead</b> Ultimate Wood Direct Glaze Round Top Ultimate Direct Glaze Round Top	W11923	W11923
	<b>Sill Nosing - Transom</b> Ultimate Wood Direct Glaze Transom (UWDGTR) UWDGTR mulled over UWIFD UWDGTR mulled over UWOFD UWDGTR mulled over UWSFD UWDGTR mulled over UWSPD UWDGTR mulled over UWCD	W12059	---
	<b>Sill Nosing - Transom</b> Mulled over Ultimate Wood Inswing French Door DISC LA PRE 2/28/11 Mulled over Ultimate Wood Outswing French Door DISC LA PRE 7/30/12	W12032	---
	<b>Sill Nosing - Transom</b> <b>Used with total R.O. Continuous Casing</b> Mulled over Ultimate Wood Inswing French Door DISC LA PRE 2/28/11 Mulled over Ultimate Wood Outswing French Door DISC LA PRE 7/30/12	W12031	---

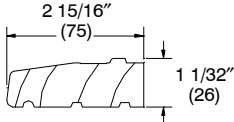
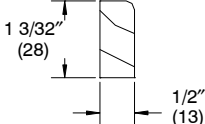
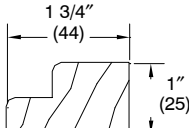
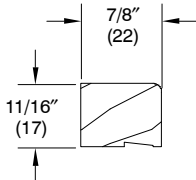
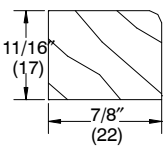
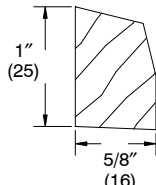
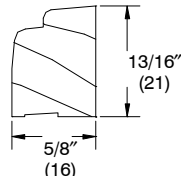
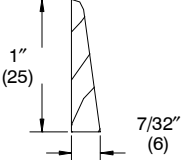
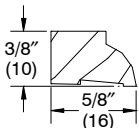
ILLUSTRATION NOT TO SCALE	DESCRIPTION	Ultimate Wood	Ultimate
	<b>Subsill – Poly ADL Frame</b> Ultimate Wood Direct Glaze Polygon (pre 6/24/2013)	W2197	---
	<b>Bullnose Stop WDG ADL (SG, 1")</b> Ultimate Wood Direct Glaze Polygon and Round Top (pre 6/24/2013)	W7013	---
	<b>Bullnose Stop, Radiused WDG ADL (SG, 1")</b> Ultimate Wood Direct Glaze Round Top (pre 6/24/2013)	W2230	---
	<b>Glazing Bead, CDG</b> Ultimate Direct Glaze Polygon and Round Top  June 2012 to June 24, 2013	---	W11651
	<b>Glazing Bead, CDG</b> Ultimate Direct Glaze Door Transom  Used previous to June 2012	---	W4160
	<b>Glazing Bead, WDG 1", Pre 6/24/2013</b> Ultimate Wood Direct Glaze Polygon and Round Top (pre 6/24/2013) Ultimate Wood Direct Glaze Door Transom (pre 6/24/2013)	W4110	---
	<b>Glazing Bead, WDG SG, Pre 6/24/2013</b> Ultimate Wood Direct Glaze Polygon and Round Top (pre 6/24/2013)	W4174	---
	<b>Glazing Bead, WDG SG ADL</b> Ultimate Wood Direct Glaze Polygon and Round Top	W4072	---
	<b>Glazing Bead, 1 lite, ADL, SDL</b> Ultimate Wood Direct Glaze Polygon and Round Top (pre 6/24/2013)	W4009	---

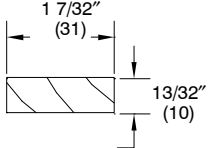
ILLUSTRATION NOT TO SCALE	DESCRIPTION	Ultimate Wood	Ultimate
<p>W6192</p> 	<p><b>Filler, WDG SG ADL w/o EP</b>            Ultimate Wood Direct Glaze Polygon and Round Top</p>	<p>W6192</p>	<p>---</p>

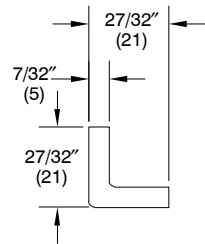
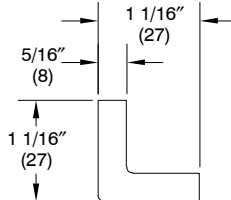
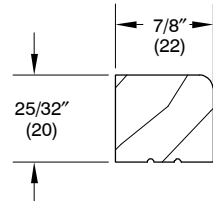
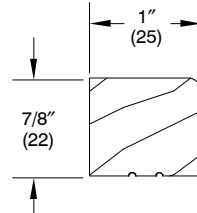
ILLUSTRATION NOT TO SCALE	DESCRIPTION	LENGTH	PART NO.
	<p><b>Cover, Interior—CDGCNR, CCNTPRYDGCNR, CNFDGCNR</b> W12970</p> <p>What products?</p>	<p>120" 151"</p>	<p>32173598 32173599</p>
	<p><b>Cover, Interior, CCNTPRYDGCNR, CNFDGCNR</b> W12924</p> <p>What products?</p>	<p>60" 120" 151"</p>	<p>32173460 32173498 32173499</p>
	<p><b>Glazing Bead, CCNTPRYDG, CCNTPRYDGPOLY, CCNTPRYDGCNR, CNFDG, CNFDGPOLY, &amp; CNFDGCNR</b> W12887</p> <p>What products?</p>	<p>63" 120" 151"</p>	<p>30271463 30271498 30271499</p>
	<p><b>Glazing Bead, CDG, CDGCNR</b> W11751</p> <p>What products?</p>	<p>63" 120" 151"</p>	<p>32181663 32181698 32181699</p>

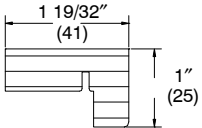
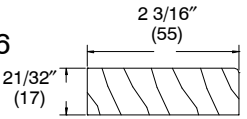
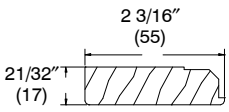
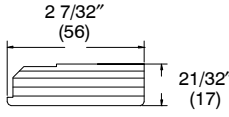
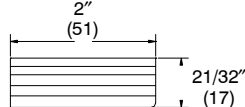
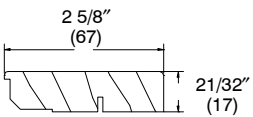
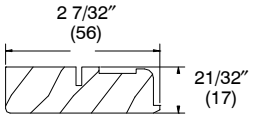
ILLUSTRATION NOT TO SCALE	DESCRIPTION	Ultimate Wood	Ultimate
<p>W2101</p> 	<p><b>Head Jamb Parting Stop, Radius</b>            Ultimate Wood Double Hung Round Top            Ultimate Double Hung Round Top DISC LA PRE 6/29/15</p>	W2101	W2101
<p>W2106</p> 	<p><b>Head Jamb Filler, Radiused</b>            Ultimate Double Hung Round Top DISC LA PRE 6/29/15</p>	---	W2106
<p>W2135</p> 	<p><b>Head Jamb Filler, Radiused</b>            Ultimate Wood Double Hung Magnum Transom Round Top            Ultimate Wood Double Hung Magnum Picture Round Top            Ultimate Double Hung Transom Round Top 1" DISC LA PRE 6/29/15            Ultimate Double Hung Picture Round Top 1" DISC LA PRE 6/29/15</p>	---	W2135
<p>W2206</p> 	<p><b>Head Jamb Filler, Radiused</b>            Ultimate Wood Double Hung Transom Round Top            Ultimate Wood Double Hung Picture Round Top            Ultimate Wood Double Hung Magnum Transom Round Top            Ultimate Wood Double Hung Magnum Picture Round Top</p>	W2206	---
<p>W8006</p> 	<p><b>Head Jamb Filler, Radiused</b>            Ultimate Wood Double Hung Round Top</p>	W8006	---
<p>W2191</p> 	<p><b>Head Jamb Interior Liner/Interior Liner - 1 5/8"</b>            Ultimate Wood Double Hung Transom Round Top            Ultimate Wood Double Hung Picture Round Top            Ultimate Wood Double Hung Transom Polygon            Ultimate Wood Double Hung Picture Polygon</p>	W2191	---
<p>W8031</p> 	<p><b>Head Jamb Interior Liner/Interior Liner - 2"</b>            Ultimate Wood Double Hung Transom Round Top            Ultimate Wood Double Hung Picture Round Top            Ultimate Wood Double Hung Transom Polygon            Ultimate Wood Double Hung Picture Polygon            Ultimate Wood Double Hung Magnum Transom Round Top            Ultimate Wood Double Hung Picture Round Top</p>	W8031	---

ILLUSTRATION NOT TO SCALE	DESCRIPTION	Ultimate Wood	Ultimate
	<b>Jamb Filler</b> Ultimate Wood Double Hung Round Top Ultimate Double Hung Round Top DISC LA PRE 6/29/15	W2018	W2018
	<b>Jamb Filler</b> Ultimate Wood Double Hung Magnum Round Top	W8927	---
	<b>Jamb Filler, Interior</b> Ultimate Wood Double Hung Magnum Round Top Ultimate Double Hung Magnum Round Top DISC LA PRE 6/25/18	W8878	W8878
	<b>Jamb Filler, Exterior</b> Ultimate Wood Double Hung Magnum Round Top	W8879	---
	<b>Jamb Liner, Interior</b> Ultimate Wood Double Hung Polygon Ultimate Wood Double Hung Transom Polygon Ultimate Wood Double Hung Picture Polygon Ultimate Wood Double Hung Round Top Ultimate Wood Double Hung Transom Round Top Ultimate Wood Double Hung Picture Round Top Ultimate Wood Double Hung Magnum Round Top Ultimate Wood Double Hung Magnum Transom Round Top Ultimate Wood Double Hung Magnum Picture Round Top	W2127	---
	<b>Jamb Liner, Interior, Continuous</b> Ultimate Wood Double Hung Round Top	W2189	---
	<b>Jamb Liner, Interior, Continuous</b> Ultimate Double Hung Round Top DISC LA PRE 6/29/15	---	W2105
	<b>Jamb Liner, Interior</b> Ultimate Double Hung Round Top DISC LA PRE 6/29/15	---	W2533

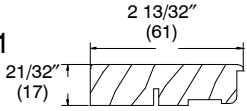
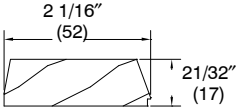
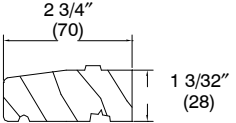
ILLUSTRATION NOT TO SCALE	DESCRIPTION	Ultimate Wood	Ultimate
<p>W2111</p> 	<p><b>Interior Liner – CUDHRT, Poly Pict, Transom</b>                      Ultimate Double Hung Magnum Picture Round Top                      Ultimate Double Hung Magnum Transom Round Top                      Ultimate Double Hung Round Top DISC LA PRE 6/29/15 –                      Picture or Transom</p>	---	W2111
<p>W2123</p> 	<p><b>Jamb Blind Stop – Transom/Picture</b>                      Ultimate Double Hung Magnum Picture Round Top                      Ultimate Double Hung Magnum Transom Round Top                      Ultimate Double Hung Round Top DISC LA PRE 6/29/15 –                      Round Top, Picture or Transom</p>	W2123	---
<p>W2134</p> 	<p><b>Subsill</b>                      Ultimate Wood Double Hung Polygon                      Ultimate Wood Double Hung Transom Polygon                      Ultimate Wood Double Hung Picture Polygon                      Ultimate Wood Double Hung Round Top                      Ultimate Wood Double Hung Transom Round Top                      Ultimate Wood Double Hung Picture Round Top                      Ultimate Wood Double Hung Magnum Round Top                      Ultimate Wood Double Hung Magnum Transom Round Top                      Ultimate Wood Double Hung Magnum Picture Round Top</p>	W2134	---



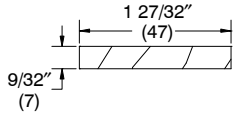
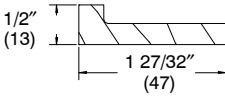
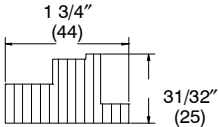
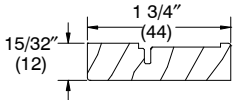
ILLUSTRATION NOT TO SCALE	DESCRIPTION	Ultimate Wood	Ultimate
<p>W2146</p> 	<p><b>Sill Liner – UDH</b> Ultimate Wood Double Hung Round Top Ultimate Wood Double Hung Polygon</p>	W2146	---
<p>W2179</p> 	<p><b>Sill Liner – UDHP and UDHT</b> Ultimate Wood Double Hung Transom Round Top Ultimate Wood Double Hung Picture Round Top Ultimate Wood Double Hung Magnum Transom Round Top</p>	W2179	---
<p>W2203</p> 	<p><b>Blind Stop, Radiused – UDH</b> Ultimate Wood Double Hung Round Top Ultimate Wood Double Hung Transom Round Top Ultimate Wood Double Hung Picture Round Top Ultimate Wood Double Hung Magnum Transom Round Top Ultimate Wood Double Hung Magnum Picture Round Top</p>	W2203	---
<p>W2531</p> 	<p><b>Sill Liner – UDHP and UDHT</b> Ultimate Double Hung Round Top 1" DISC LA PRE 6/29/15 Ultimate Double Hung Transom Round Top 1" DISC LA PRE 6/29/15 Ultimate Double Hung Picture Round Top 1" DISC LA PRE 6/29/15 – Transom (Polygons?)</p>	---	W2531

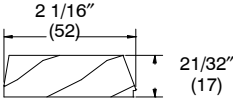
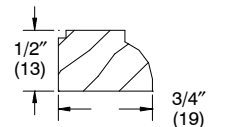
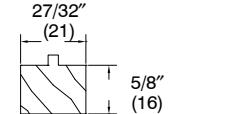
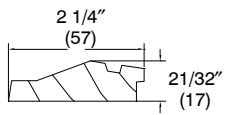
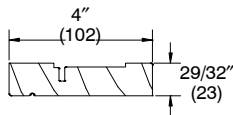
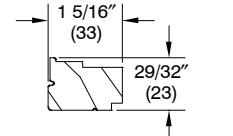
ILLUSTRATION NOT TO SCALE	DESCRIPTION	Ultimate Wood	Ultimate
<p>W3119</p> 	<p><b>Sill Interior Sash Stop</b> Ultimate Double Hung Transom Round Top 1" DISC LA PRE 6/29/15 Ultimate Double Hung Picture Round Top 1" DISC LA PRE 6/29/15 – Transom Ultimate Wood Double Hung Magnum Transom Round Top</p>	---	W3119
<p>W7680</p> 	<p><b>Glazing Bead – UDH, UDHP, UDHT</b> Ultimate Double Hung Transom Round Top 1" DISC LA PRE 6/29/15 Ultimate Double Hung Picture Round Top 1" DISC LA PRE 6/29/15 – Transom Ultimate Wood Double Hung Magnum Transom Round Top Ultimate Wood Double Hung Magnum Picture Round Top</p>	---	W7680
<p>W8026</p> 	<p><b>Sill Filler Riser – Picture and Transom, Wood</b></p>	W8026	---
<p>W8027</p> 	<p><b>Sill Filler – 1 5/8" Picture and Transom, Wood</b></p>	W8027	---
<p>W8860</p> 	<p><b>Sill Liner</b> Ultimate Double Hung Magnum Round Top DISC LA PRE 6/25/18</p>	---	W8860
<p>W8877</p> 	<p><b>Jamb Liner, Interior</b> Ultimate Double Hung Magnum Round Top DISC LA PRE 6/25/18</p>	---	W8877

ILLUSTRATION NOT TO SCALE	DESCRIPTION	Ultimate Wood	Ultimate
	<b>Jamb Liner, Interior</b> Ultimate Wood Double Hung Magnum Round Top	W8880	---
	<b>Sill Liner</b> Ultimate Wood Double Hung Magnum Round Top	W8914	---
	<b>Jamb Blind Stop, Operator</b> Ultimate Wood Double Hung Polygon Ultimate Wood Double Hung Magnum Round Top	W8950	---
	<b>Sill Liner - Picture</b> Ultimate Double Hung Magnum Picture Round Top DISC LA PRE 6/25/18	---	W8991
	<b>Sill Liner</b> Ultimate Wood Double Hung Magnum Picture Round Top	W8992	---
	<b>Sill Filler</b> Ultimate Double Hung Magnum Picture Round Top DISC LA PRE 6/25/18	---	W9643
	<b>Sill Filler, Stationary - WUDH 1 5/8"</b> Ultimate Wood Double Hung Transom Round Top Ultimate Wood Double Hung Picture Round Top Ultimate Wood Double Hung Magnum Transom Round Top Ultimate Wood Double Hung Magnum Picture Round Top	W9699	---
	<b>Sill Filler, Stationary - WUDH 2"</b> Ultimate Wood Double Hung Transom Round Top Ultimate Wood Double Hung Picture Round Top Ultimate Wood Double Hung Magnum Transom Round Top Ultimate Wood Double Hung Magnum Picture Round Top	W9700	---

**ORDERING REPLACEMENT WEATHER STRIP FOR ROUND TOPS**

When ordering replacement weather strip specify:

1. quantity;
2. color;
3. part number;
4. description.



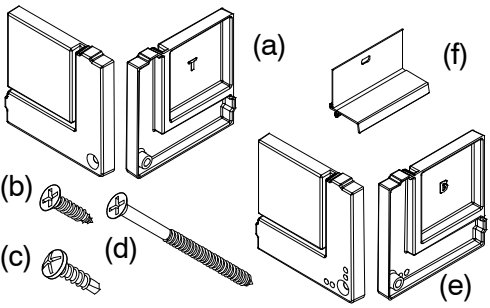
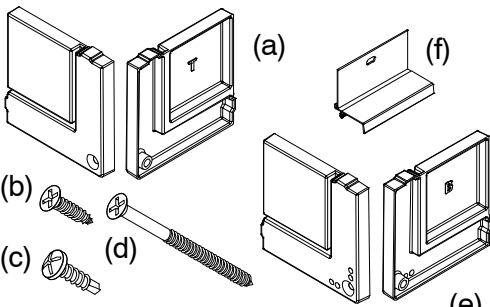
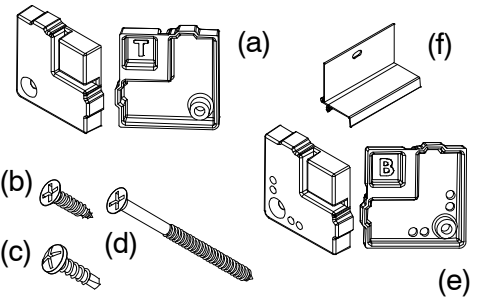
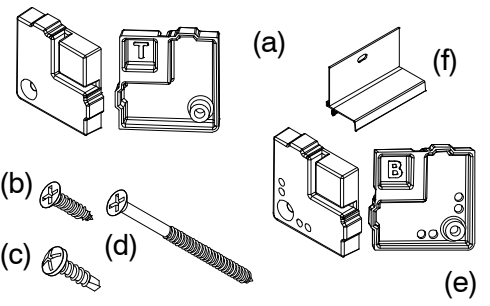
ILLUSTRATION <i>NOT TO SCALE</i>	DESCRIPTION	LENGTH	PART NUMBER
	<p><b>Frame Weather Strip</b> V2838 Ultimate Wood Double Hung Round Top Ultimate Double Hung Round Top DISC LA PRE 6/29/15</p> <p style="text-align: right;">Beige White</p>	<p>100" (2540) 100" (2540)</p>	<p>15356998 15356999</p>
	<p><b>Frame Weather Strip – Picture/Transom</b> MISC – 03692 Color: Gray</p>	<p>25'</p>	<p>11406223</p>

ILLUSTRATION NOT TO SCALE	DESCRIPTION	PART NO.
	<p><b>Ultimate Direct Glaze Corner &lt;60 Frame Height</b></p> <p><i>Includes:</i>                      1-Top End Cap – 10500888(a)                      2- #7-19 x 5/8” Flat Head Screws-11830009(b)                      24 -#8-18x 5/8” Pan Head Screws-11800498(c)                      14 -#6-18x1 1/2” Flat Head Screws-11806112(d)                      1-Bottom End Cap – 10500887 (e)                      2- Head Jamb Nailing Fin with Drip Cap 144”                      -16217199 (f)                      Installation Instructions</p>	<p>11881217</p>
	<p><b>Ultimate Direct Glaze Corner &gt;60 Frame Height</b></p> <p><i>Includes:</i>                      1-Top End Cap – 10500888(a)                      2- #7-19 x 5/8” Flat Head Screws-11830009(b)                      48 -#8-18x 5/8” Pan Head Screws-11800498(c)                      28 -#6-18x1 1/2” Flat Head Screws-11806112(d)                      1-Bottom End Cap – 10500887 (e)                      2- Head Jamb Nailing Fin with Drip Cap 144”                      -16217199 (f)                      Installation Instructions</p>	<p>11881218</p>
	<p><b>Ultimate Direct Glaze Narrow Frame Corner &lt;60 Frame Height</b></p> <p><i>Includes:</i>                      1-Top End Cap – 10500885(a)                      2- #7-19 x 5/8” Flat Head Screws-11830009(b)                      24 -#8-18x 5/8” Pan Head Screws-11800498(c)                      14 -#6-18x1 1/2” Flat Head Screws-11806112(d)                      1-Bottom End Cap – 10500886 (e)                      2- Head Jamb Nailing Fin with Drip Cap 144”                      -16217199 (f)                      Installation Instructions</p>	<p>11881215</p>
	<p><b>Ultimate Direct Glaze Narrow Frame Corner &gt;60 Frame Height</b></p> <p><i>Includes:</i>                      1-Top End Cap – 10500885(a)                      2- #7-19 x 5/8” Flat Head Screws-11830009(b)                      48 -#8-18x 5/8” Pan Head Screws-11800498(c)                      28 -#6-18x1 1/2” Flat Head Screws-11806112(d)                      1-Bottom End Cap – 10500886 (e)                      2- Head Jamb Nailing Fin with Drip Cap 144”                      -16217199 (f)                      Installation Instructions</p>	<p>11881216</p>

**ORDERING REPLACEMENT SASH FOR ROUND TOPS AND POLYGONS**

When ordering replacement sash specify:

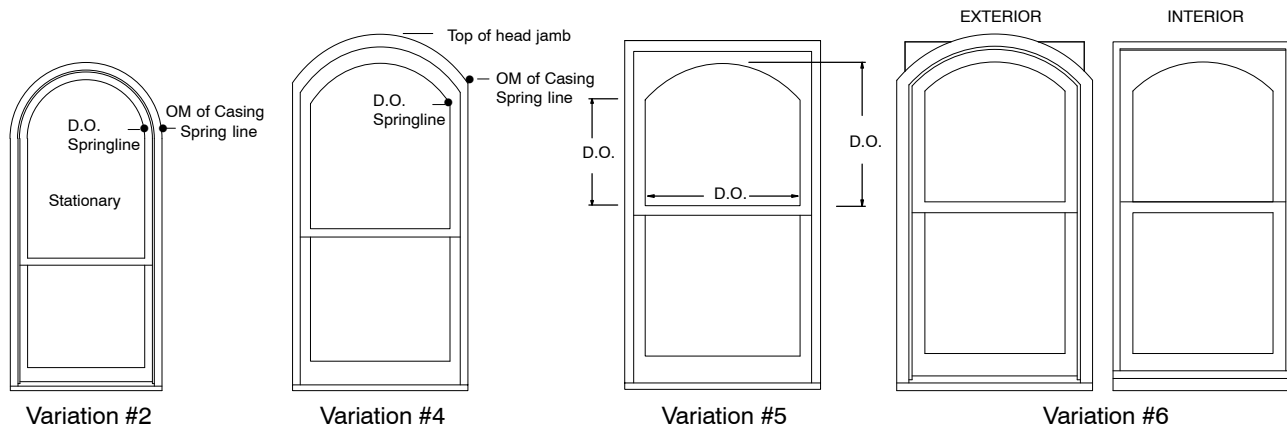
**Round Tops**

1. product type and sash thickness;
2. size;
  - a. original order number or template
  - b. call number and/or shape book number
  - c. Variation #5 or Variation #6 daylight opening measurements shown below (if applicable)
  - d. daylight opening shape book number (if different from variation)
3. glazing;
4. finish;
5. Interior sticking type.

**Polygons**

1. product type and sash thickness;
2. size;
  - a. call number and/or Polygon and Round Top Shape book number
  - b. measurements as required in shape book
3. glazing;
4. finish;
5. Interior sticking type.

**Round Top Double Hung Variations**



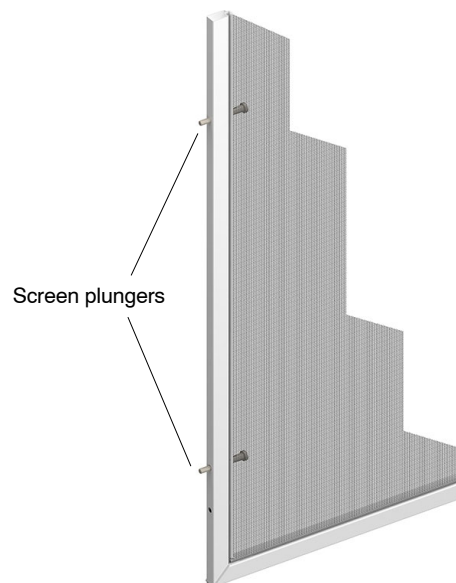
**Variation #2**  
NOTE: Variation #3 features rectangular frame and sash. Refer to Double Hung section, Chapter 5 for more information.

**Variation #5**  
Measurements shown are required for sash replacement for Variation #5 and Variation #6.

**ORDERING REPLACEMENT SCREENS FOR ROUND TOPS**

When ordering a replacement screen specify:

1. Call number and/or original order number;
  - a. if CN or original order number is not available a template of the screen is required.
  - b. for Round Top Casemaster (specials), a template marked with the location of the screen plunger is required (see illustration).
2. color;
3. mesh type (if other than standard).



Round Top Casemaster (Special)

NOTE: Mark location of screen plungers on template.

**ORDERING REPLACEMENT ENERGY PANELS FOR ROUND TOPS OR POLYGONS**

When ordering energy panels specify:

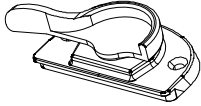
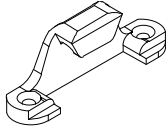
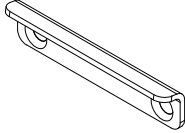

1. product type with call number and/or original Marvin order number;
  - a. Polygons – shape number and all dimensions
  - b. Round tops – template required
2. color of surround;
3. glass type.

**ORDERING REPLACEMENT COMBINATIONS AND/OR INSERTS FOR ROUND TOP DOUBLE HUNGS**

When ordering replacement combinations specify:

1. call number and/or original Marvin order number;
  - a. provide template (required)
2. color of surround;
3. mesh type (if other than standard);
4. glass type;
5. finish.

**ULTIMATE WOOD DOUBLE HUNG MAGNUM ROUND TOP  
 ULTIMATE DOUBLE HUNG MAGNUM ROUND TOP DISC LA PRE 6/25/18**

ILLUSTRATION NOT TO SCALE	DESCRIPTION	OPER./COLOR	PART NO.
	<p><b>Sash Lock</b>  <i>Includes:</i>                      1 – Sash lock                      2 – #7x7/8" Phillips FH wood screws, Polished Chrome (11800790)</p>	<p>Polished                      Chrome</p>	<p>10500812</p>
	<p><b>Keeper</b>  <i>Includes:</i>                      1 – Keeper                      2 – #7x7/8" Phillips FH wood screws, Polished Chrome(11807128)</p>	<p>Polished                      Chrome</p>	<p>10500795</p>
	<p><b>Sill Bracket</b>                      For Operating Units  <i>Includes:</i>                      1 – Sill bracket                      2 – #7 x 3/4" Flat head stainless steel screws</p>	<p>White                      Beige</p>	<p>11841114                      11841113</p>
	<p><b>Sill Cover</b>                      V931                      Lineal, 100 1/2" (2553)</p>	<p>White                      Beige</p>	<p>15351999                      15350599</p>

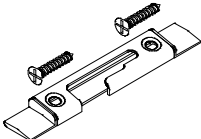
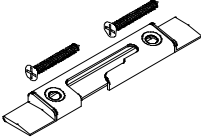
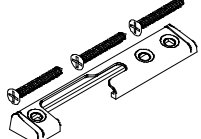
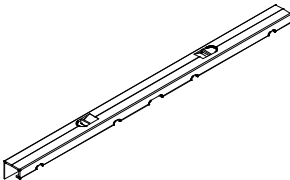
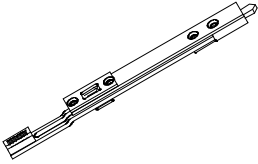
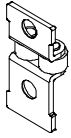
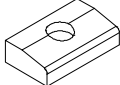
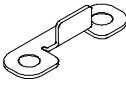
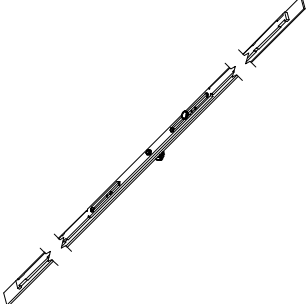


**ULTIMATE AND ULTIMATE WOOD CASEMASTER ROUND TOP DISC LA PRE 2010**

ILLUSTRATION <i>NOT TO SCALE</i>	DESCRIPTION	OPER./ COLOR	PART NO.
	<b>Hinge – Round Top Operator</b>	Brushed Satin	11860275
	<b>Operating Hinge Sash Seal Foam – Round Top Operator</b>	Gray	10500042
	<b>Operating Hinge Frame Seal Foam – Round Top Operator</b>	White	10500043
	<b>Sash Limiter – Round Top Operator</b> <i>Includes:</i> 1 – #8x3/4" Phillips head wood screw		18508598

NOTE: **Standard** hardware (unless noted) will be supplied with Yellow Zinc Dichromate (YZD) coating until stocks are depleted, E-Gard coated hardware will then be substituted. If E-Gard coated hardware is desired it must be specified. **Components with "YZD" specified as the color are only available with Yellow Zinc Dichromate (YZD) coating.**

**ULTIMATE AND ULTIMATE WOOD CASEMASTER ROUND TOP DISC LA PRE 2010 (FRENCH)**

<b>ILLUSTRATION</b> <i>NOT TO SCALE</i>	<b>DESCRIPTION</b>	<b>OPER./ COLOR</b>	<b>PART NO.</b>
	<b>RT FCM Sill Strike</b> <i>Includes:</i> 1 – RT Sequential Strike (10816093) 2 – #10 – 13 x 1" SS screws (11830011)		11851606
	<b>RT FCM Astragal Strike (Upper) Kit</b> <i>Includes:</i> 1 – RT Sequential Strike (10816093) 3 – #8 x 1 1/4" SS screws (11808118)		11851608
	<b>RT FCM Astragal Strike (Bottom) Kit</b> <i>Includes:</i> 1 – RT Standard Strike (10816094) 3 – #8 x 1 1/4" SS screws (11808118)		11851607
	<b>RT CM Sash Limiter</b> 20 Degree IZ3	E-Guard  Corr. Resistant	10830707  10830708
	<b>RT FCM Shoot Bolt</b> <i>Includes:</i> 1 – Siegenia Shoot Bolt 2 – #8 x 2" screws (11800724)		10816096
	<b>RT FCM Sash Lift Roller</b> <i>Includes:</i> 1 – Roller 2 – #7 x 5/8" screws (11800736)		10816027
	<b>RT FCM Sash Lift</b> <i>Includes:</i> 1 – Sash lift		10816089
	<b>RT FCM Bolt Keeper</b> <i>Includes:</i> 1 – Keeper 2 – #7 x 5/8" screws (11800736)		10814600
	<b>Linkage</b> <i>Includes:</i> Linkage #8 x 1 1/4" Phillips flat head screws (11808118) (quantity of screws varies by size of unit)	455–800 mm 801–1000 mm 1000–1460 mm 1461–1920 mm	10816123 10816046 10816122 10816040

**ULTIMATE DOUBLE HUNG MAGNUM ROUND TOP DISC LA PRE 6/25/18**

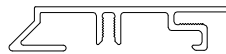
When ordering aluminum replacement parts specify:

1. Original order number, if available;
2. profile;
3. color;

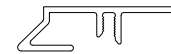
Aluminum Replacement Parts	
Part	Clad (profile #)
Bottom Rail – Picture and Operator	A190
Top Rail, Stile – Picture, Transom, Operator	A193
Check Rail – Operator Bottom	A194
Aluminum Jamb Filler – Operator	A1388
Wood Wrap Aluminum Interior Stop	A1402
Single Hung Jamb Filler	A1413
Balance Cover <i>Specify Top or Bottom and White or Beige</i>	A1387



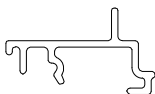
A190



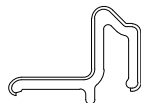
A193



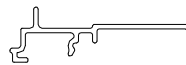
A194



A1388



A1402



A1413



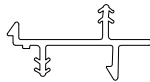
A1387

**ULTIMATE DOUBLE HUNG MAGNUM ROUND TOP DISC LA PRE 6/25/18**

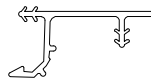
When ordering aluminum or vinyl replacement parts specify:

1. Original order number, if available;
2. profile;
3. color;

<b>Vinyl Replacement Parts</b>	
<b>Part</b>	<b>Ultimate</b>
Sash Clad Connector	V946
Bottom Sash Check Rail Connector	V929
Contact Strip	V1500



V946



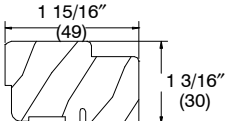
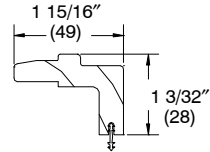
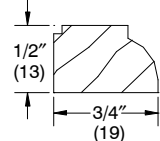
V929



V1500


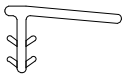
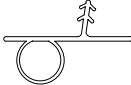
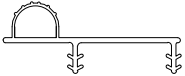
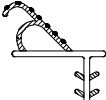

When ordering replacement wood parts specify:

- |                                  |                        |
|----------------------------------|------------------------|
| 1. profile number;               | 4. LH or RH operation; |
| 2. call number or rough opening; | 5. type of product;    |
| 3. length;                       | 6. finish.             |

ILLUSTRATION NOT TO SCALE	DESCRIPTION	Ultimate Wood	Ultimate
	<p><b>Sill Cover – CM Stationary</b></p> <p>June 2006 – Present</p> <p>Prior to June 2006</p>	<p>W8723</p> <p>W7018</p>	<p>W8723</p> <p>W8462</p>
	<p><b>Hardware Cover – CM/FCM Operator</b></p> <p>March 2003 – Present</p> <p>NOTE: Please add a comment line if ordering W8459 for a pre 1/09/2008 RTFCM.</p>	<p>W8459</p>	<p>W8459</p>
	<p><b>Glazing , CCM, 1” Picture</b></p>	<p>---</p>	<p>W7680</p>

When ordering replacement weather strip specify:

1. quantity;
2. color;
3. part number;
4. description.

ILLUSTRATION <i>NOT TO SCALE</i>	DESCRIPTION	LENGTH	PART NUMBER
	<b>Part Stop Weather Strip</b> V025 Ultimate Double Hung Magnum Round Top DISC LA PRE 6/25/18 <p style="text-align: right;">Beige</p>	Specify length	15350010
	<b>Sash Trim – Round Top</b> V004 Ultimate Double Hung Magnum Round Top DISC LA PRE 6/25/18	72" (1828)	15350005
	<b>Bottom Rail or Frame Weather Strip</b> V937 Ultimate Double Hung Magnum Round Top DISC LA PRE 6/25/18	100" (2540)	15350799
	<b>Top Check Rail Weather Strip</b> V920 Ultimate Double Hung Magnum Round Top DISC LA PRE 6/25/18 <p style="text-align: right;">Beige</p>	100" (2540)	15350399
	<b>Top Sash Weather Strip – Round Top</b> V195 Ultimate and Ultimate Wood Casemaster Operator Round Top DISC LA PRE 2010 <p style="text-align: right;">Beige</p>	150" (3810)	15708399
	<b>Jamb Carrier Foam Backer Rod – Round Top</b> Ultimate Double Hung Round Top DISC LA PRE 6/29/15	Specify length	15350008