

# GRILLES, MUNTS, BEADS & FILLERS

## Table of Contents

	<b>PAGE</b>
Clad Glazing Systems .....	2
Wood Glazing Beads .....	6
Discontinued Grille Tacks .....	10

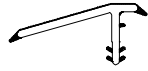

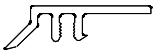
**GRILLES, MUNTS, BEADS & FILLERS SECTION  
INFORMATION IS INCOMPLETE.**

**COMPLETE INFORMATION  
WILL BE ADDED WHEN AVAILABLE.**

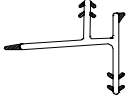
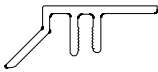

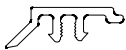

**ATTENTION:**

- Specification and technical data are subject to change without notice.
- Numbers listed in parentheses ( ) are metric equivalents in millimeters rounded to the nearest whole number.

Components are sold in 12' 6" lengths unless noted otherwise. When ordering, specify part number and quantity.

Product Type	Glazing Type	Profile & Number (Not to scale)	Color	Part Number
Clad Double Hung , Clad Single Hung, Clad Double Hung Tilt Pac	3/4"	V535 	Bahama Brown Pebble Gray Bronze Stone White	15991399 15991499 15991599 15991799
		V901 	Beige	15991199
Clad Double Hung , Clad Single Hung, Clad Double Hung Tilt Pac	9/16"	A174 	Bahama Brown Pebble Gray Bronze Evergreen Stone White	18606699 18606799 18606899 18606999 18800140

Components are sold in 12' 6" lengths unless noted otherwise. When ordering, specify part number and quantity.

Product Type	Glazing Type	Profile & Number (Not to scale)	Color	Part Number
Ultimate Double/Single Hung Magnum, Ultimate Double Hung Magnum Tilt Pac	9/16"	V902 	Beige	15666999
		A178 	Pebble Gray Bronze Evergreen Stone White	18607299 18607399 18607499 18800380
Clad Glider	9/16"	V901 	Beige	15991199
		A186 	Stone White	18804099
Clad Glider	3/4"	V644 	Bahama Brown Pebble Gray Bronze Stone White	15986999 15987999 NA NA

Components are sold in 12' 6" lengths unless noted otherwise. When ordering, specify part number and quantity.

Product Type	Glazing Type	Profile & Number (Not to scale)	Color	Part Number
Ultimate Double/Single Hung Magnum, Ultimate Double Hung Magnum Tilt Pac	ADL IG	V318 	Beige	15901001 (9' 3")
		A717 	Pebble Gray Bronze Evergreen Stone White	18535799 18535899 18535999 18535699
	Munt Adapter	A715 	White	16144099 (13' 2")
Ultimate Trimline Patio Door DISC LA PRE 2003	3/4"	V306*** 		15901003 (12')
		A173 	Bahama Brown Pebble Gray Bronze Evergreen Stone White	18394409 18394410 18394411 18394412 18394418 (13')
Ultimate Outswing French Door DISC LA PRE 7/30/12	3/4"	V306 		15901003 (12')
		A172*** 	Bahama Brown Pebble Gray Bronze Evergreen	18394401 18394402 18394403 18394399
Ultimate Outswing French Door DISC LA PRE 7/30/12 Ultimate Outswing French Door Transom DISC LA PRE 7/30/12	ADL IG	V318 	Beige	15901001 (9' 3")
		A717 	Bahama Brown Pebble Gray Bronze Evergreen	No longer available
	Munt Adapter	A715 	White	16144099 (13' 2")

\* Marvin recommends that W4230 be ordered in pre-fabricated sets. Provide unit call number or actual glass size.

\*\* Specify call number if stock otherwise provide template or order number for custom units.

\*\*\* Needed for reglazing Clad Terrace Door glass.

Components are sold in 12' 6" lengths unless noted otherwise. When ordering, specify part number and quantity.

Product Type	Glazing Type	Profile & Number (Not to scale)	Color	Part Number
Ultimate Inswing French Door and Transom Ultimate Outswing French Door Ultimate Sliding French Door and Transom Ultimate Sliding Patio Door Ultimate Bi-Fold Door 1 3/4inch DISC LA PRE 4/24/17	3/4" Int. Glaze	V933	Black	15996598 (12')
				W4230*
				W12227*
				W11643*
Ultimate Direct Glaze Polygon Ultimate Direct Glaze Round Top (radius stop**)	1" Int. Glaze	W4160		32181299
Clad Casemaster Round Top ST (stationary in-sash lineal)  (stationary in-sash radius stop**)	3/4" Int. Glaze or 1" Int. Glaze	W7680**		70999896 (8')

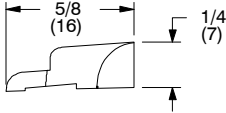
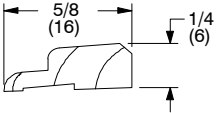
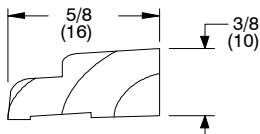
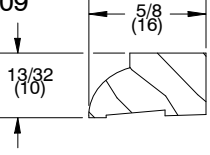
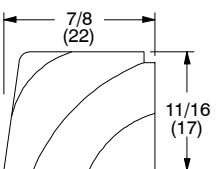
\* Marvin recommends that W4230 be ordered in pre-fabricated sets. Provide unit call number or actual glass size.

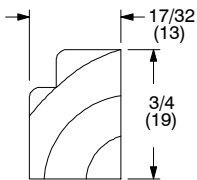
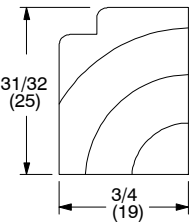
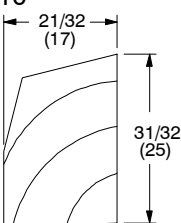
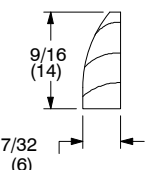
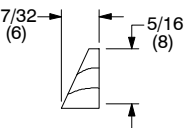
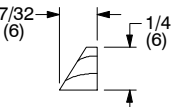
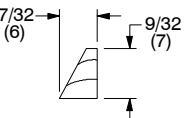
\*\* Specify call number if stock otherwise provide template or order number for custom units.

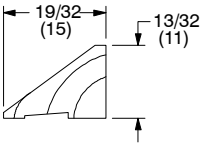
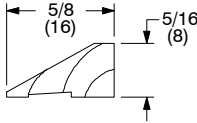
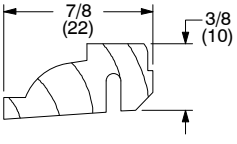
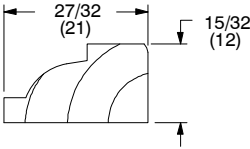
When ordering replacement wood bead specify:

1. profile number;
2. finish;
3. product type;
4. size.
  - a. length
  - b. call number or rough opening
  - c. radius (if applicable – template may be required)

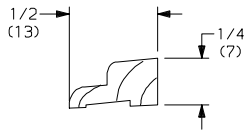
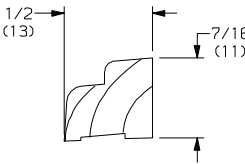
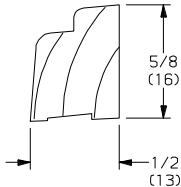
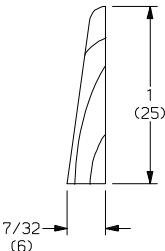
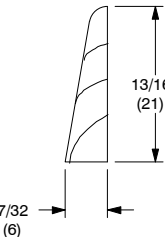
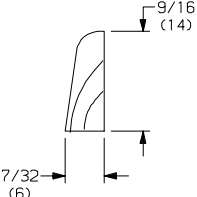
NOTE: Glass dimensions listed are nominal. Glass thickness may vary due to glass size and type.

Profile & Number (Not to scale)	Product Usage List
<p>W4010</p> 	<p><b>1/2" IG</b> Double Hung Glider</p> <p><b>3/4" IG</b> Wood Single Hung Curved Glass</p> <p><i>NOTE: Longest length available is 48 3/16" (48.19)</i></p>
<p>W4011</p> 	<p><b>9/16" IG</b> Double Hung Glider</p>
<p>W4012</p> 	<p>Wood Double Hung Wood Magnum Double Hung Wood Glider 6/4 Specials</p>
<p>W4009</p> 	<p>Ultimate Wood Double Hung, Ultimate Wood Double Hung Round Top, Ultimate Wood Double Hung Polygon Ultimate Wood Single Hung, Ultimate Wood Single Hung Round Top, Wood Magnum Double Hung and Round Top</p> <p>NOTE: SDL bars use the same wood profile</p>
<p>W4094</p> 	<p><b>1" IG</b> Magnum Double Hung Picture unit – 2 1/2" sash</p>

Profile & Number (Not to scale)	Product Usage List
<p>W4102</p> 	<p><b>7/8" IG</b> Tilt Turn</p>
<p>W4106</p> 	<p><b>Single Glaze</b> Tilt Turn</p>
<p>W4110</p> 	<p><b>1" IG</b> 1" direct glaze Polygon or Round Top units</p>
<p>W4120</p> 	<p><b>Single Glaze</b> French Door Transom Inswing French Door Outswing French Door</p>
<p>W4130</p> 	<p><b>1/8" Single Glaze Putty Profile</b> Magnum Historic Single Hung Magnum Historic Double Hung Magnum Historic Double Hung Picture unit – 1 3/4" sash Magnum Historic Double Hung Transom</p>
<p>W4131</p> 	<p><b>1/4" Single Glaze Putty Profile</b> Magnum Historic Single Hung Magnum Historic Double Hung Magnum Historic Double Hung Picture unit – 1 3/4" sash Magnum Historic Double Hung Transom</p>
<p>W4132</p> 	<p><b>3/16" Single Glaze Putty Profile</b> Magnum Historic Single Hung Magnum Historic Double Hung Magnum Historic Double Hung Picture unit – 1 3/4" sash Magnum Historic Double Hung Transom</p>

Profile & Number (Not to scale)	Product Usage List
<p>W4140</p> 	<p><b>IG Putty Profile</b> Double Hung Magnum</p>
<p>W4142</p> 	<p><b>IG Putty Profile</b> Double Hung – 1 3/8" sash</p>
<p>W4230</p> 	<p><b>3/4" IG</b> Ultimate Wood Sliding Patio Door Ultimate Wood French Door Ultimate Wood Inswing Arch Top French Door (bottom rail and stiles) Ultimate Wood Outswing Arch Top French Door (bottom rail and stiles) Ultimate Wood Outswing French Door (with factory finish) Ultimate Sliding French Door</p>
<p>W4232</p> 	<p><b>3/4" IG</b> Inswing Arch Top French Door (top rail) Outswing Arch Top French Door (top rail)</p>



Profile & Number (Not to scale)	Product Usage List
<p><b>W4030</b></p> 	<p><b>1/2" IG</b> Double Hung Tilt Pac Glider</p>
<p><b>W4032</b></p> 	<p><b>Single Glaze – with EP</b> Double Hung Tilt Pac Glider</p>
<p><b>W4034</b></p> 	<p><b>Single Glaze – no EP</b> Double Hung Tilt Pac Glider</p>
<p><b>W4072</b></p> 	<p><b>Single Glaze – no EP</b> Double Hung Magnum Double Hung Magnum Picture Unit – 1 3/4" sash Round Top Polygon</p>
<p><b>W4074</b></p> 	<p><b>Single Glaze – with EP</b> Double Hung Magnum Picture Unit – 1 3/4" sash Round Top Direct Glaze Polygon</p>
<p><b>W4222</b></p> 	<p><b>Single Glaze – with EP</b> Round Top Polygon</p>

<b>ILLUSTRATION</b> <i>NOT TO SCALE</i>	<b>DESCRIPTION</b>	<b>PART NUMBER</b>
	<b>Grille Tack, Sash</b> Windows	11860426
	<b>Grille Tack, Glazing</b> Doors	11860427