

BOWS AND BAYS
Discontinued – Limited Availability (LA)

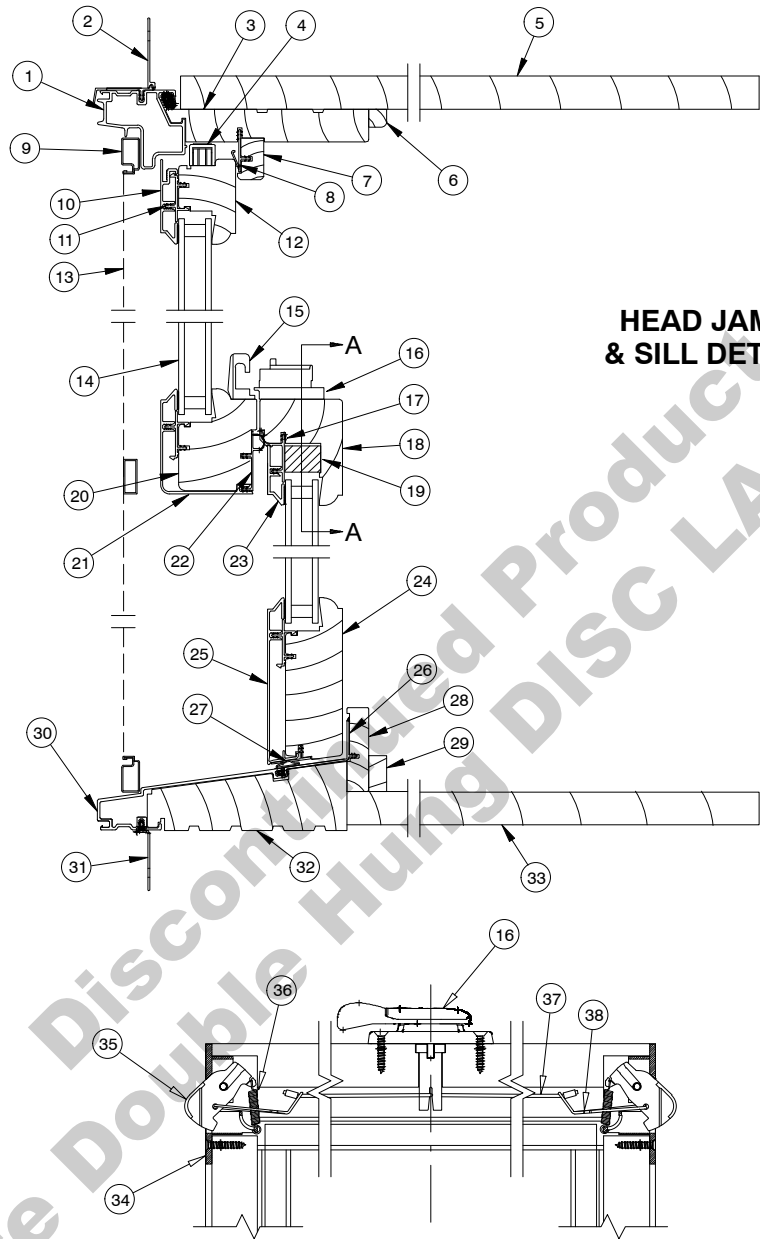
Table of Contents

	PAGE
Ultimate Double Hung Bay – Part Identification	
Bay – Ultimate Double Hung DISC LA PRE 6/29/15 – Head Jamb and Sill	2
Bay – Ultimate Double Hung DISC LA PRE 6/29/15 – Jamb Details	3
Replacement Parts (See current Bows and Bays chapter for available Bow/Bay parts)	

ATTENTION:

- Specification and technical data are subject to change without notice.
- Numbers listed in parentheses () are metric equivalents in millimeters rounded to the nearest whole number.

BAY - Ultimate Double Hung DISC LA Pre 6/29/15



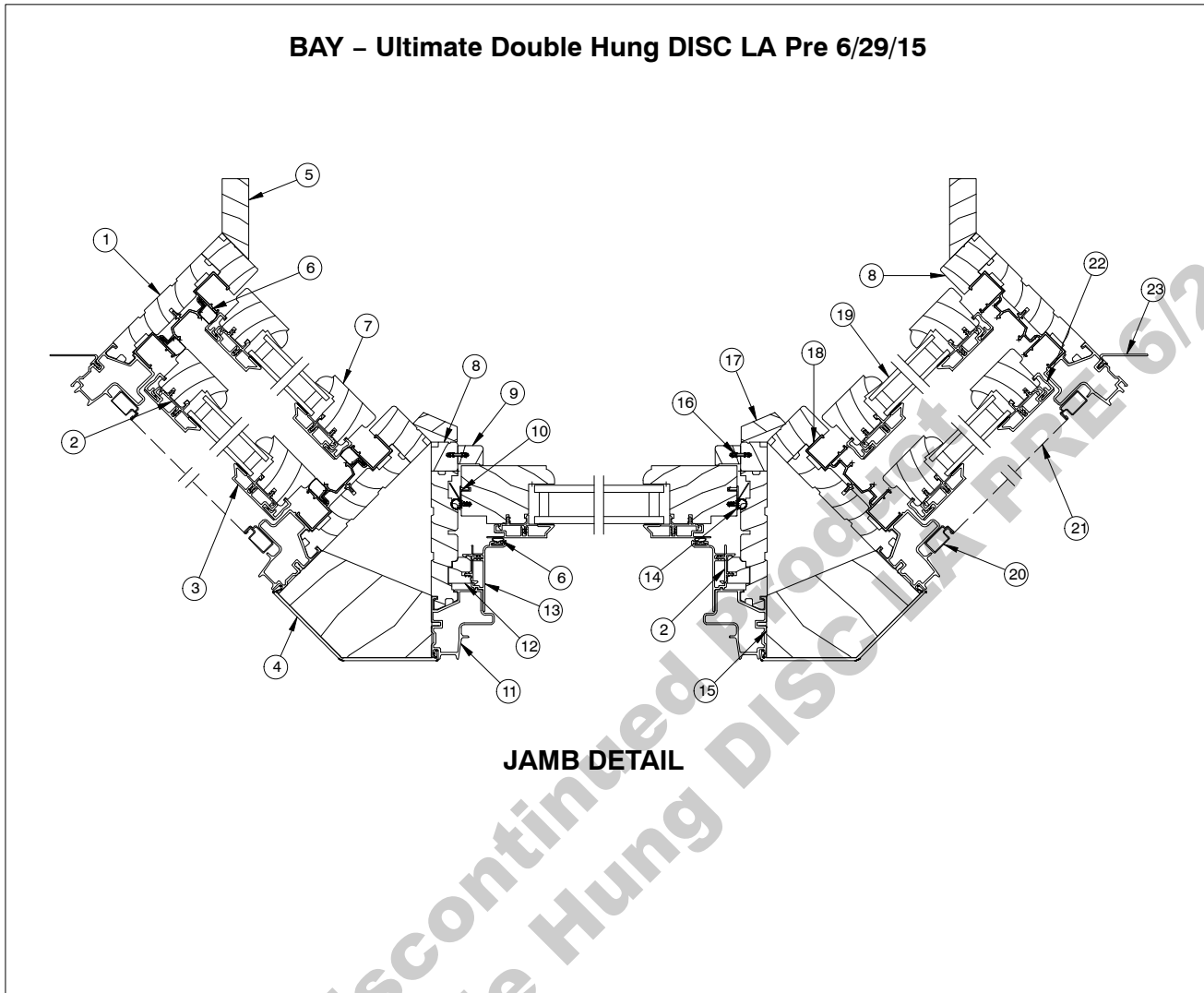
**HEAD JAMB
& SILL DETAIL**

SECTION A-A

NOTE: Not to scale; specifications subject to change without notice.

- | | | | |
|-----------------------------------|---------------------------------|-------------------------------|----------------------|
| 1. Head Jamb Cladding | 13. Screen Mesh | 23. Bottom Checkrail Cladding | 35. Locking Blade |
| 2. Head Jamb Nailing Fin/Drip Cap | 14. Insulated Glass | 24. Bottom Rail | 36. Extension Spring |
| 3. Head Jamb | 15. Sash Keeper | 25. Bottom Rail Cladding | 37. Operation Cord |
| 4. Tilt Latch | 16. Sash Lock | 26. Sill Cover | 38. Pull Yolk |
| 5. Head Board | 17. Bottom Checkrail | 27. Bottom Rail Weather Strip | |
| 6. Top Interior Trim | 18. Bottom Checkrail | 28. Sill Liner | |
| 7. Parting Stop | 19. Bottom Checkrail | 29. Bottom Interior Trim | |
| 8. Parting Stop Weather Strip | 20. Top Checkrail | 30. Sill Cladding | |
| 9. Screen Frame | 21. Top Checkrail Cladding | 31. Sill Nailing Fin | |
| 10. Top Rail Cladding | 22. Top Checkrail Weather Strip | 32. Sill | |
| 11. Sash Cladding Clip | | 33. Seat Board | |
| 12. Top Rail | | 34. End Plate | |

BAY – Ultimate Double Hung DISC LA Pre 6/29/15



JAMB DETAIL

NOTE: Not to scale; specifications subject to change without notice.

- | | |
|----------------------------|--------------------------|
| 1. Jamb | 13. Jamb Filler Cladding |
| 2. Sash Cladding Connector | 14. Sash Weather Strip |
| 3. Stile Cladding | 15. Mull Block |
| 4. Clad Mull Cap | 16. Connecting Barb |
| 5. Return Jamb | 17. Interior Mull Trim |
| 6. Frame Weather Strip | 18. Vinyl Jamb Carrier |
| 7. Stile | 19. Insulated Glass |
| 8. Jamb Liner | 20. Screen Frame |
| 9. Interior Sash Stop | 21. Screen Mesh |
| 10. Vinyl Retainer | 22. Contact Strip |
| 11. Jamb Cladding | 23. Jamb Nailing Fin |
| 12. Jamb Block | |