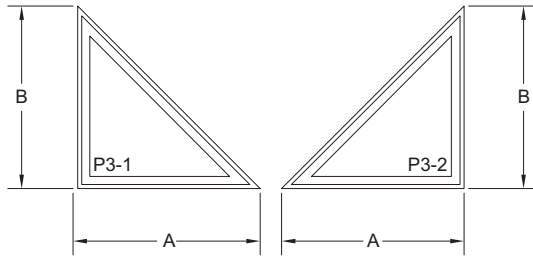
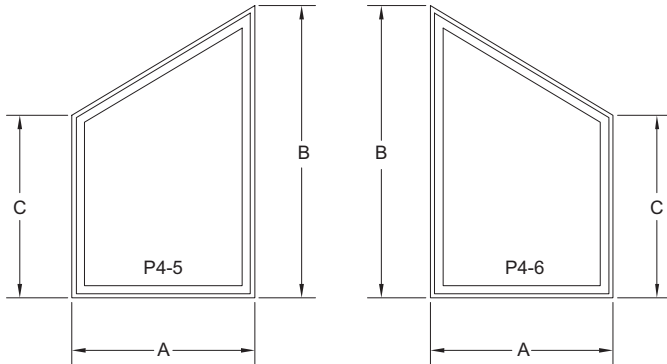


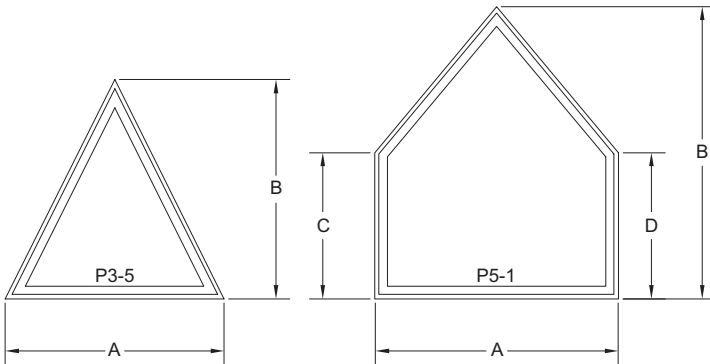
DIRECT GLAZE SPECIALTY SHAPES - Polygons



90° TRIANGLE

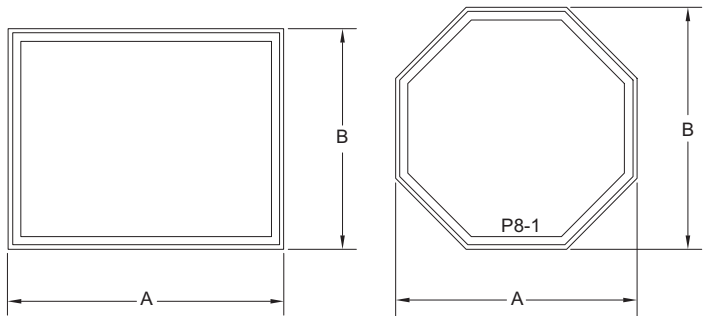


TRAPEZOID



ISOSCELES TRIANGLE

PENTAGON



90° RECTANGLE

OCTAGON

HOW TO SPECIFY

When ordering a Trapezoid, Triangle, or Rectangle window, provide a sketch of the unit as viewed from the exterior, also include key Rough Opening dimensions.

EXAMPLE

To order a window of a Trapezoid opening provide the measurements of A, B, and C as indicated. For other shapes, give the dimensions shown.

SPECIFICATION NOTES

All units are subject to validation.

Maximum/Minimum Guidelines

Maximum Square Footage: 49 ft² of Rough Opening

Maximum Width: 114" Rough Opening

Maximum Height: 114" Rough Opening

Minimum (RECT, P3, P4, P5): 12" x 12" Rough Opening

Minimum (P8): 18" x 18" Rough Opening

Minimum Short Leg (P4, P5): 8" Rough Opening

P3 Pitch: 3/12 to 36/12 Pitch Available

P4 Pitch: 36/12 Maximum Pitch Available

P5 Pitch: 36/12 Maximum Pitch Available

MULTIPLE ASSEMBLIES

Multiple assemblies can be factory mullled.

MAXIMUM ROUGH OPENING: not to exceed 114" x 78".

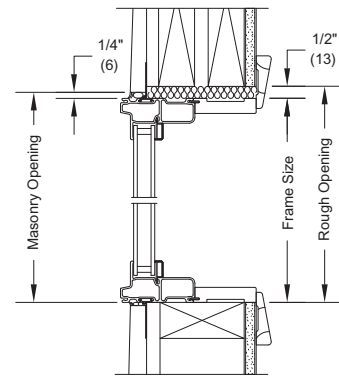
Maximum up to 6 units wide by 1 unit high.

MAXIMUM ROUGH OPENING: not to exceed 96" x 96".

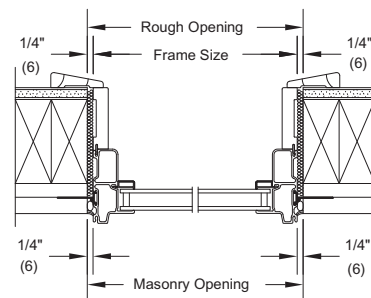
Maximum up to 5 units wide by 5 units high.

NOTE: Units with Rough Opening larger than 37.75 ft² will be standard tempered.

Construction Details



Head Jamb & Sill



Jambs