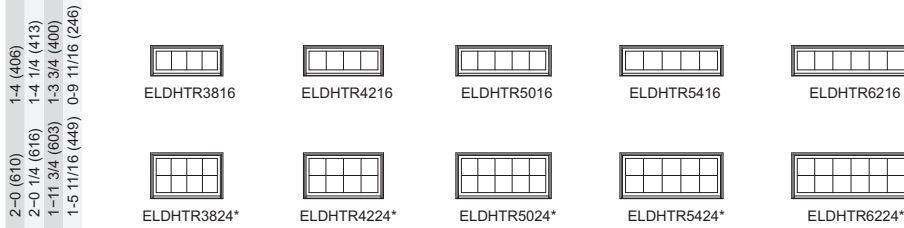


DOUBLE HUNG TRANSOM

MO (mm)	1-10 (559)	2-2 (660)	2-6 (762)	2-8 (813)	2-10 (864)	3-0 (914)	4-0(1219)
RO (mm)	1-10 1/2 (572)	2-2 1/2 (673)	2-6 1/2 (775)	2-8 1/2 (826)	2-10 1/2 (876)	3-0 1/2 (927)	4-0 1/2(1232)
FS (mm)	1-9 1/2 (546)	2-1 1/2 (648)	2-5 1/2 (749)	2-7 1/2 (800)	2-9 1/2 (851)	2-11 1/2 (902)	3-11 1/2(1207)
DLO (mm)	1-3 11/16 (398)	1-7 11/16 (500)	1-9 11/16 (551)	1-11 11/16 (602)	2-3 11/16 (703)	2-5 11/16 (754)	3-5 11/16 (1059)

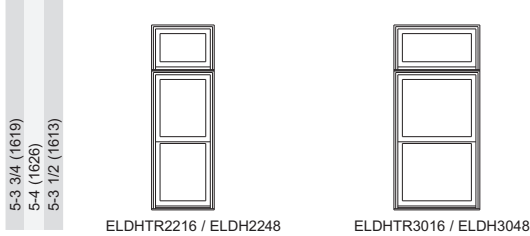


MO (mm)	3-2 (965)	3-6 (1067)	4-2 (1270)	4-6 (1372)	5-2 (1575)
RO (mm)	3-2 1/2 (978)	3-6 1/2 (1080)	4-2 1/2 (1283)	4-6 1/2 (1384)	5-2 1/2 (1588)
FS (mm)	3-1 1/2 (953)	3-5 1/2 (1054)	4-1 1/2 (1257)	4-5 1/2 (1359)	5-11 1/2 (1562)
DLO (mm)	2-7 11/16 (805)	2-11 11/16 (906)	3-7 11/16 (1110)	3-11 11/16 (1211)	4-7 11/16 (1414)

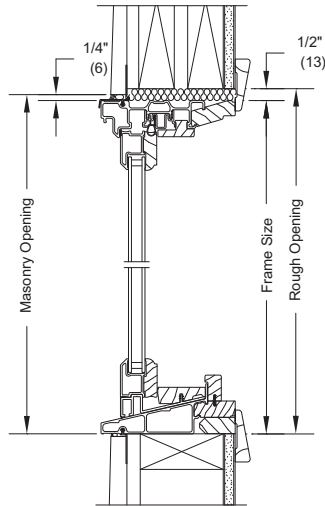


Double Hung Transoms Mullered Over Double Hungs

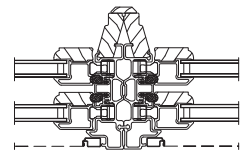
MO (mm)	1-10 (559)	2-6 (762)
RO (mm)	1-10 1/2 (572)	2-6 1/2 (775)
FS (mm)	1-9 1/2 (546)	2-5 1/2 (749)



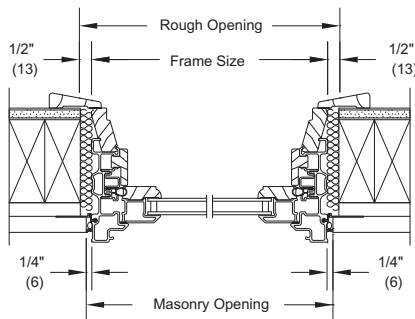
Construction Details



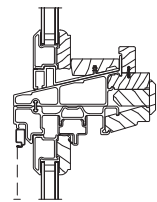
Head Jamb and Sill



Vertical Mullion



Jamb



Horizontal Mullion Transom/Operator

Details and Elevations not to scale.

Special sized units available within product size matrix and available down to 17 1/2" frame width. See your Marvin retailer.

Optional picture GBGs and SDLs are available in a standard Rectangular cut shown. Also available in Prairie lite cuts shown on page 3.

When ordering 6 9/16" (167 mm) or 6 13/16" (173 mm) jambs, add 1/4" (6 mm) to width and 1/8" (3 mm) to height for Rough Opening, Frame Size and Masonry Opening.

* Size available in picture unit also.

For further details and drawings visit the 'Tools and Documents' section at Marvin.com.

MULTIPLE ASSEMBLIES

Multiple assemblies can be factory mullered.

MAXIMUM ROUGH OPENING not to exceed 113 1/2" x 76 1/4"

Maximum up to 5 units wide by 1 unit high.

MAXIMUM ROUGH OPENING not to exceed 84" x 92"

Maximum up to 3 units wide by 5 units high.

Field mull kits are available. Structural mullion reinforcement is required for some assemblies.

Please consult your local Marvin representative for more information.