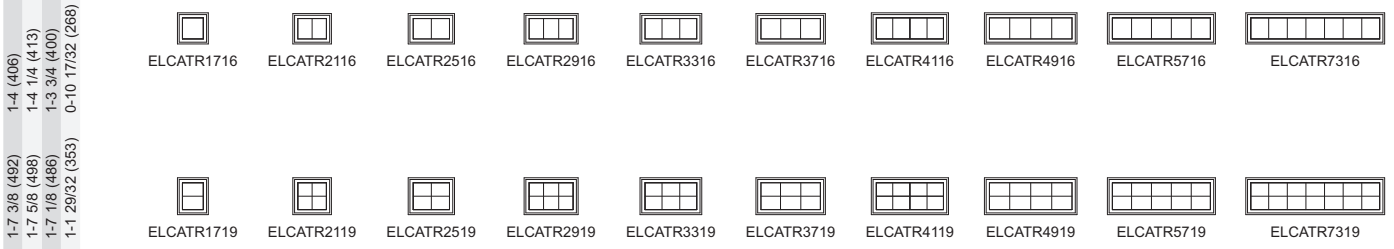


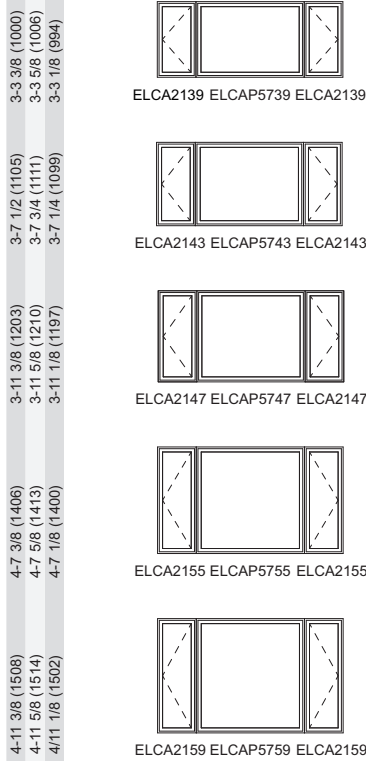
MARVIN ELEVATE™ COLLECTION
CASEMENT TRANSOM

MO (mm)	1-4 1/2 (419)	1-8 1/2 (521)	2-0 1/2 (622)	2-4 1/2 (724)	2-8 1/2 (826)	3-0 1/2 (927)	3-4 1/2 (1029)	4-0 1/2 (1232)	4-8 1/2 (1435)	6-0 1/2 (1842)
RO (mm)	1-5 (432)	1-9 (533)	2-1 (635)	2-5 (737)	2-9 (838)	3-1 (940)	3-5 (1041)	4-1 (1245)	4-9 (1448)	6-1 (1854)
FS (mm)	1-4 (406)	1-8 (508)	2-0 (610)	2-4 (711)	2-8 (813)	3-0 (914)	3-4 (1016)	4-0 (1219)	4-8 (1422)	6-0 (1829)
DLO (mm)	0-10 25/32 (274)	1-2 25/32 (376)	1-6 25/32 (477)	1-10 25/32 (579)	2-2 25/32 (680)	2-6 25/32 (782)	2-10 25/32 (884)	3-6 25/32 (1087)	4-2 25/32 (1290)	5-6 25/32 (1696)



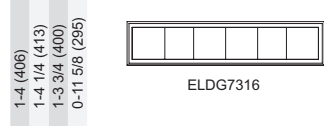
Multiple Assemblies/Casement Flankers with Center Picture

MO (mm)	8-0 1/2 (2451)
RO (mm)	8-1 (2464)
FS (mm)	8-0 (2438)

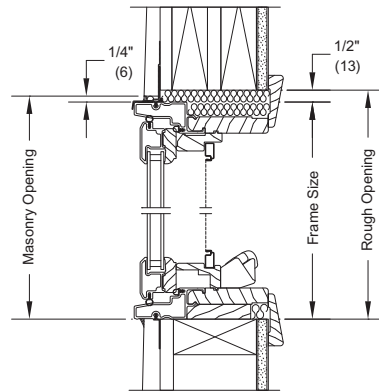


Direct Glaze

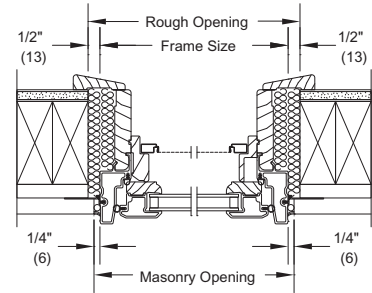
MO (mm)	6-0 1/2 (1842)
RO (mm)	6-1 (1854)
FS (mm)	6-0 (1829)
DLO (mm)	5-8 1/16 (1729)



Construction Details



Operator Head Jamb and Sill



Operator Jamb

Details and Elevations not to scale.

Special sized units available within product size matrix. See your Marvin retailer.

Optional picture GBGs and SDLs are available in a standard Rectangular cut shown. Also available in Prairie lite cuts shown on page 3.

Any ELCA unit in these combinations can be operating or stationary. Operating sash are viewed from the exterior.

Unequal lite cuts on Direct Glaze. GBG and SDL in an ELDG 7316 will line up over a 25-3W ELCA only.

Direct Glaze Rectangles also available, see Direct Glaze, pages 47 and 48.

For further details and drawings visit the 'Tools and Documents' section at Marvin.com.