

# Ultimate Wood Double Hung Magnum

Unit Features.....	1
Egress and Vent Openings .....	2
Minimum and Maximum Guidelines/Certified Sizes and Ratings: Standard .....	3
Minimum and Maximum Guidelines/Certified Sizes and Ratings: IZ3.....	4
Measurement Conversions .....	5
Section Details: Operating.....	7
Section Details: Transom .....	8
Section Details: Picture .....	9
Section Details: Operator IZ3.....	10
Section Details: Combination and Storm Sash .....	11
Section Details: Interior Shade Option .....	12
Section Details: Muled Direct Glaze with Interior Shade Option .....	13
Section Details: Mullions .....	14
Section Details: Operator/Stationary with Cedar Dress Option.....	15



**Unit Features**

Ultimate Double Hung Magnum: UWDHM

Ultimate Single Hung Magnum: UWSHM

Ultimate Double Hung Magnum Picture: UWDHMP

Ultimate Double Hung Magnum Transom: UWDHMTR

**Operating Hardware:**

- Sash lock and keeper: surface mounted, open style crescent cam lock. Two locks on glass of 36" (914) and wider. Color: Satin Taupe.
  - Optional colors: Bronze, White, Brass, Antique Brass, Satin Chrome, Satin Nickel, and Oil Rubbed Bronze.
- Balance System: Spiral balance system, designed to balance sash from 10 lbs. to 130 lbs.
- Pivot pins two per sash made of stainless steel are used. Clutches two per sash designed to receive the pivot pin and are designed to support sash weight up to 130 lbs.
- Tilt latch provided for easy tilting of the top sash inward, located at check rail.
- Optional Sash lift: same colors as offered in locks.
- Optional window opening control device field applied.

**Optional Glass: WUDHM - 7/8" (22) glazing, WUDHMP - 1" (25) glazing only**

- Tripane Low E1 outer piece and Low E1 Argon inner piece
- Tripane Low E1 outer piece and Low E1 Krypton-Argon inner piece
- Tripane Low E2 outer piece and Low E2 Argon inner piece
- Tripane Low E2 outer piece and Low E2 Krypton-Argon inner piece
- Tripane Low E3 outer piece and Low E1 Argon inner piece
- Tripane Low E3 outer piece and Low E1 Krypton-Argon inner piece

**CE Optional Glazing:**

- Glazing method: Insulating
- Glazing seal: Silicone glazed
- Standard glass is insulating Low E2 Argon or air
- Optional dual glazing available: Low E1 Argon or air, Low E3 Argon or air, Low E2/ERS Argon or air, Low E3/ERS Argon or air, clear, laminated clear and tints. tempered, sandblasted
- Optional Tripane glass types for WUDHM - 7/8" (22) glazing, WUDHMP - 1" (25) glazing only: Low E1/E1 Argon or Krypton-Argon, Low E2/E2 Argon or Krypton-Argon, Low E3/E1 Argon or Krypton-Argon
- Glass panes available in 3, 4, or 6 mm thicknesses
- Glazing will be altitude adjusted for higher elevations, Argon, Argon-Krypton, and Krypton gas not included

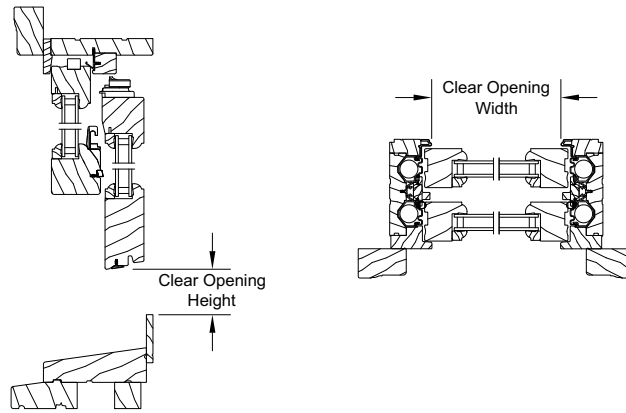
**CE Mulling Options:**

- Muller assemblies up to 70 3/4" (1797) x 80 3/8" (2042) as 1H x multi-width
- Muller assemblies with 1" (25) LVL or 3/8" (10) aluminum mull reinforcement up to 124 7/8" (3172) x 100 3/8" (2550) as a multi-wide or multi-high assembly

**Egress and Vent Openings**

Not to Scale

Egress Conversions		
Glass Size Width = 1 7/8" (48) = Egress Width Rough Opening Width - 4 1/2" (114) = Egress Width		
Glass Size Height	Rough Opening Height	Egress Height
20" (508) to less than 28" (711)	49 1/2" (1257) to less than 65 1/2" (1664)	16 1/2" (419)
28" (711) to less than 38" (965)	65 1/2" (1664) to less than 85 1/2" (2172)	24 1/2" (622)
38" (965) to less than 49" (1245)	85 1/2" (2172) to less than 107 1/2" (2731)	34 1/2" (876)
49" (1245) to less than 60" (1524)	107 1/2" (2731) to less than 129 1/2" (3289)	45 1/2" (1156)



*NOTE: When utilizing the Interior Shade option, the egress width is reduced by 17/32" and height is reduced by 5/32".*

**Minimum and Maximum Guidelines/Certified Sizes and Ratings: Standard**

Certified Minimum and Maximum Rough Opening Guidelines									
Unit Type		Minimum				Maximum			
		Width		Height		Width		Height	
		in	mm	in	mm	in	mm	in	mm
UWDHM	Insulating Glass	26 3/8	(670)	49 1/2	(1257)	60 3/8	(1534)	121 1/2	(3086)
UWDHM	Single Glaze	26 3/8	(670)	49 1/2	(1257)	60 3/8	(1534)	121 1/2	(3086)
UWDHMTR	Insulating Glass	14 3/8	(365)	13 7/8	(352)	74 3/8	(1889)	28 3/16	(716)
UWDHMTR	Single Glaze	14 3/8	(365)	13 7/8	(352)	74 3/8	(1889)	28 3/16	(716)
UWDHP	Insulating Glass	14 3/8	(365)	16 3/16	(411)	62 3/8	(1584)	57 1/2	(1461)
UWDHP	1" Insulating Glass	14 3/8	(365)	16 3/16	(411)	62 3/8	(1584)	57 1/2	(1461)
UWDHP	Single Glaze	14 3/8	(365)	16 3/16	(411)	62 3/8	(1584)	105 1/2	(2680)

NOTE: Maximum Interior Shade width 72" (1829) and Maximum Interior Shade height 113" (2870)

Product	Air Tested to psf	Water Tested to psf	Structural Tested to psf	Certification Rating	Design Pressure (DP)	Overall Width		Overall Height	
						in	mm	in	mm
UWDHM 4848	1.57	7.5	75	LC-PG50-H	50	53 3/8	(1356)	105	(2667)
UWDHM 5456	1.57	5.25	52.5	LC-PG35-H	35	59 3/8	(1508)	121	(3073)
UWDHMP1.625in	1.57	7.5	75	CW-PG50-FW	50	61 3/8	(1559)	105	(2667)

NOTE: For CE ratings, please refer to CE Performance Section.

**Minimum and Maximum Guidelines/Certified Sizes and Ratings: IZ3**

Certified IZ3 Minimum and Maximum Rough Opening Guidelines									
Unit Type		Minimum				Maximum			
		Width		Height		Width		Height	
		in	mm	in	mm	in	mm	in	mm
UWDHM	Insulating Glass	26 3/8	(670)	48 13/32	(1230)	54 3/8	(1381)	105 1/2	(2680)
UWDHM	Insulating Glass	26 3/8	(670)	48 13/32	(1230)	38 3/8	(975)	129 1/2	(3289)
UWDHP	Insulating Glass	13 3/8	(340)	15 9/16	(395)	60	(1524)	106 15/16	(2716)

*NOTE: Maximum Interior Shade width 72" (1829) and Maximum Interior Shade height 113" (2870)*

Product	Air Tested to psf	Water Tested to psf	Structural Tested to psf	Certification Rating	Design Pressure (DP)	Overall Width		Overall Height	
						in	mm	in	mm
UWDHMIZ3 4256	1.57	7.5	75	LC-PG50-H	+50/-65	47 3/8	(1203)	121	(3073)
UWDHMIZ3 4848	1.57	7.5	75	LC-PG50-H	+50/-65	53 3/8	(1356)	105	(2667)
UWDHMPIZ3	1.57	8.25	82.5	CW-PG55-FW	+55/-65	60	(1524)	106 15/16	(2716)

*NOTE: CE mark is not available on IZ3 units.*

Measurement Conversions

Ultimate Wood Double Hung Magnum						
Unit Measurements		Width		Height		
From	To					
<b>Frame Size</b>		<b>in</b>	<b>mm</b>		<b>in</b>	<b>mm</b>
OM of Frame	Rough Opening	+ 1	(25)		+ 1/2	(13)
Masonry Opening w/BMC	Frame Size	-3 1/8	(79)		-1 9/16	(40)
<b>Glass</b>		<b>in</b>	<b>mm</b>		<b>in</b>	<b>mm</b>
Daylight Opening	Glass	+ 1 1/16	(27)		+ 1 1/16	(27)
<b>Screen</b>		<b>in</b>	<b>mm</b>		<b>in</b>	<b>mm</b>
OM of Frame	OM of Screen	-1 1/2	(38)		-1 7/8	(48)
Daylight Opening	OM of Screen	+ 4 3/8	(111)	× 2	+ 8 21/32	(220)
<b>Half Screen</b>		<b>in</b>	<b>mm</b>		<b>in</b>	<b>mm</b>
OM of Frame	OM of Screen	-1 1/2	(38)	÷ 2	+ 1/2	(13)
Daylight Opening	OM of Screen	+ 4 3/8	(111)		+ 5 5/16	(135)
<b>Interior Shade</b>		<b>in</b>	<b>mm</b>		<b>in</b>	<b>mm</b>
OM of Frame	Shade Surround	-1 15/32	(37)		-2 11/16	(68)

Ultimate Wood Double Hung Magnum Transom w/out subsill						
Unit Measurements		Width		Height		
From	To					
<b>Frame Size</b>		<b>in</b>	<b>mm</b>		<b>in</b>	<b>mm</b>
Rough Opening	Frame Size	+ 1	(25)		+ 1/2	(13)
Masonry Opening w/BMC	Frame Size	-2 1/8	(54)		-1 1/16	(27)
<b>Glass</b>		<b>in</b>	<b>mm</b>		<b>in</b>	<b>mm</b>
Daylight Opening	Glass	+ 1 1/16	(27)		+ 1 1/16	(27)
<b>Interior Shade</b>		<b>in</b>	<b>mm</b>		<b>in</b>	<b>mm</b>
OM of Frame	Shade Surround	-1 15/32	(37)		-2 11/16	(68)

Measurement Conversions

Ultimate Wood Double Hung Magnum Picture - 1 5/8" Sash					
Unit Measurements		Width		Height	
From	To				
<b>Frame Size</b>		<b>in</b>	<b>mm</b>	<b>in</b>	<b>mm</b>
Rough Opening	Frame Size	+ 1	(25)	+ 1/2	(13)
Masonry Opening w/BMC	Frame Size	-2 1/8	(54)	+ 1 9/16	(40)
<b>Glass</b>		<b>in</b>	<b>mm</b>	<b>in</b>	<b>mm</b>
Daylight Opening	Glass	+ 1 3/16	(30)	+ 1 1/16	(27)
<b>Interior Shade</b>		<b>in</b>	<b>mm</b>	<b>in</b>	<b>mm</b>
OM of Frame	Shade Surround	-1 15/32	(37)	-2 3/32	(53)

Ultimate Wood Double Hung Magnum Picture - 2" Sash					
Unit Measurements		Width		Height	
From	To				
<b>Frame Size</b>		<b>in</b>	<b>mm</b>	<b>in</b>	<b>mm</b>
Rough Opening	Frame Size	+ 1	(25)	+ 1/2	(13)
Masonry Opening w/BMC	Frame Size	-2 1/8	(54)	-1 1/16	(27)
<b>Glass</b>		<b>in</b>	<b>mm</b>	<b>in</b>	<b>mm</b>
Daylight Opening	Glass	+ 1 3/16	(30)	+ 1 3/16	(30)
<b>Interior Shade</b>		<b>in</b>	<b>mm</b>	<b>in</b>	<b>mm</b>
OM of Frame	Shade Surround	-1 15/32	(37)	-2 11/16	(68)

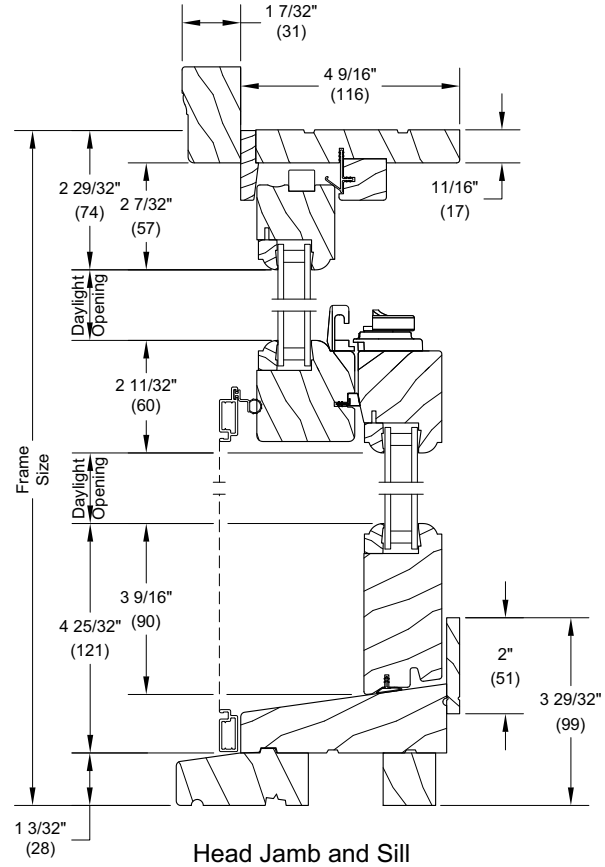
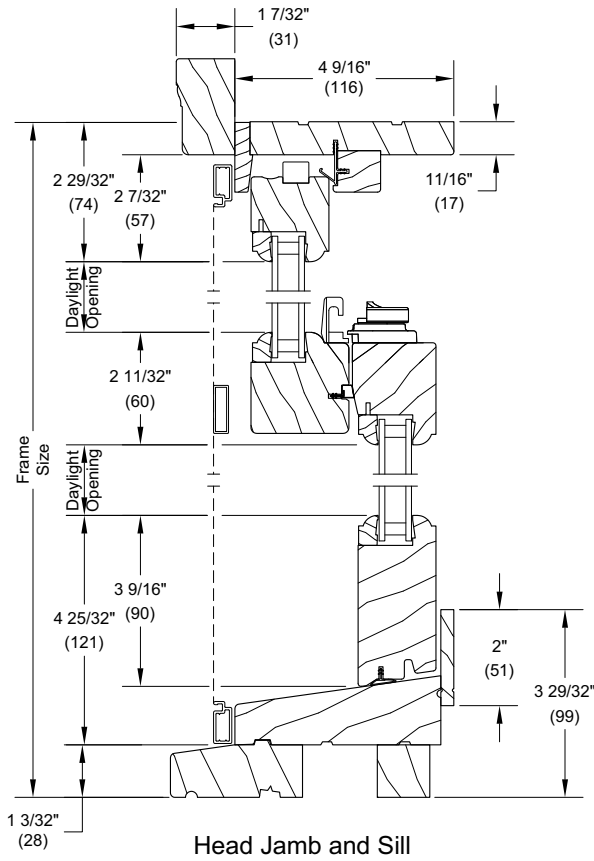


**Section Details: Operating**

Scale: 3" = 1' 0"

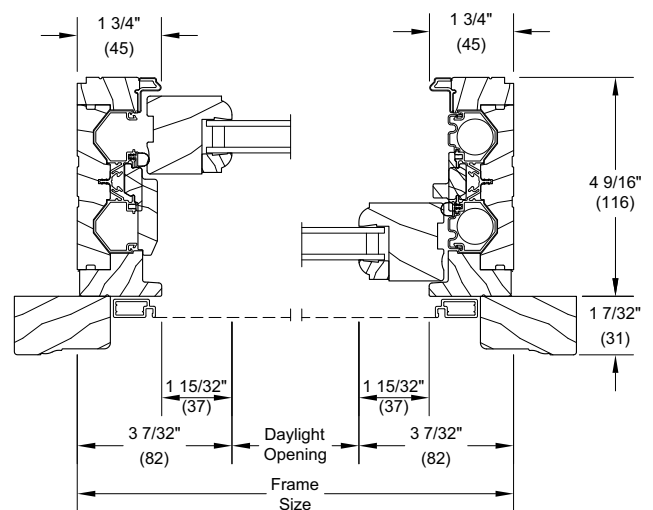
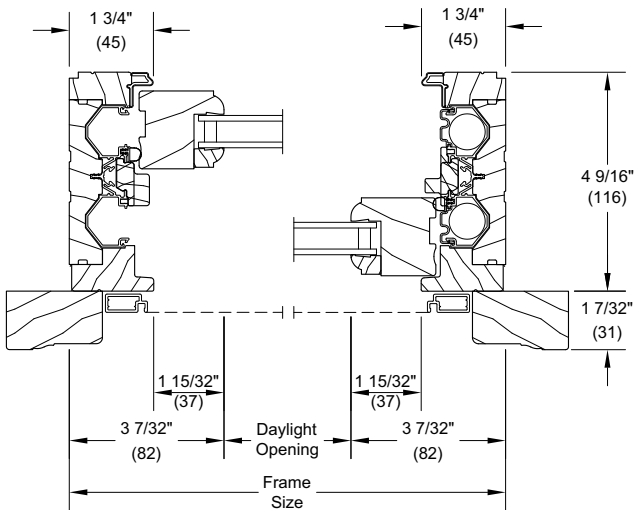
**Double Hung**

**Single Hung**



**Head Jamb and Sill**

**Head Jamb and Sill**



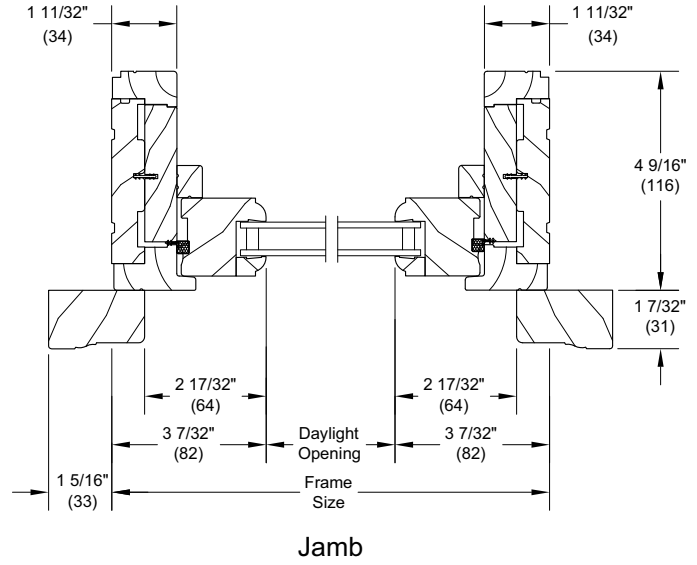
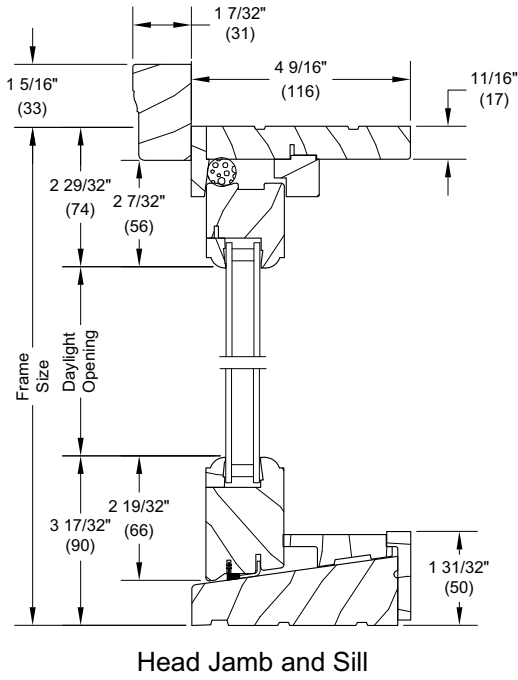
**Jambs**

**Jambs**

**Section Details: Transom**

Scale: 3" = 1' 0"

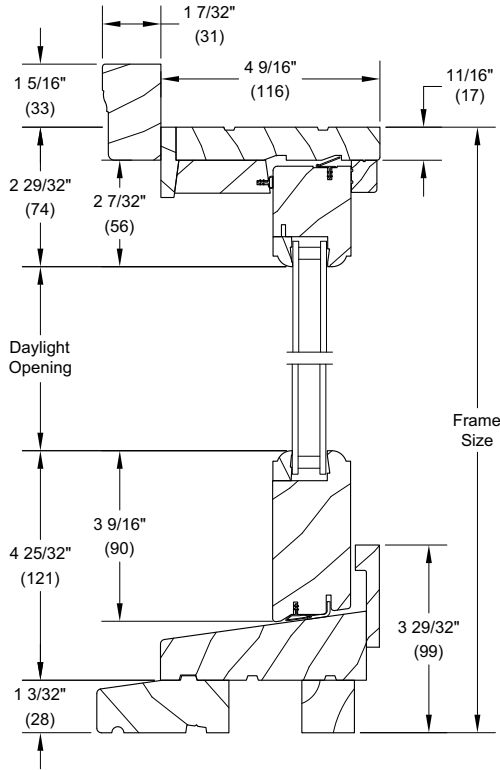
**Transom**



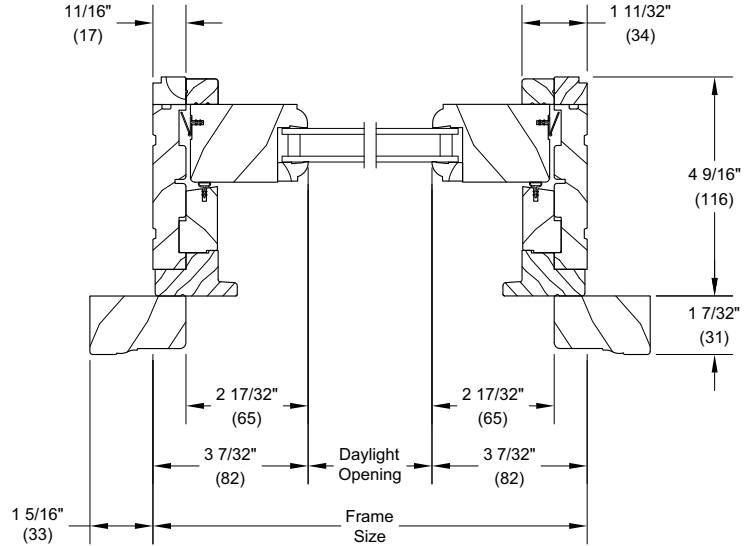
**Section Details: Picture**

Scale: 3" = 1' 0"

**1 5/8" - Picture**

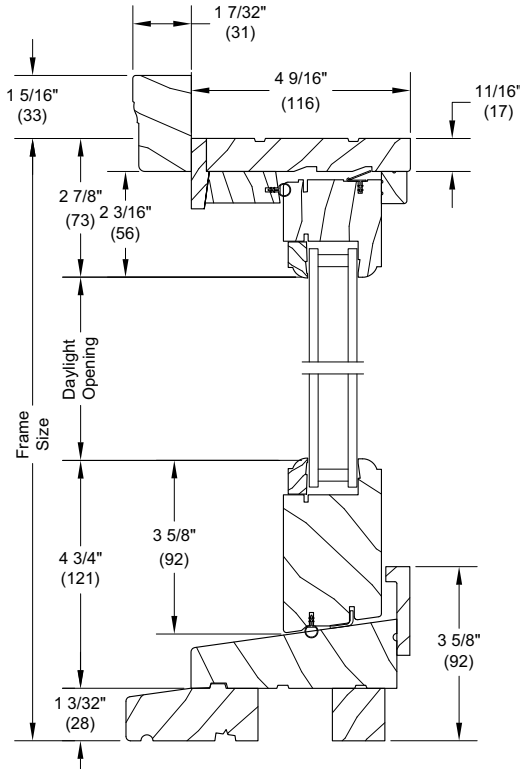


**Head Jamb and Sill**

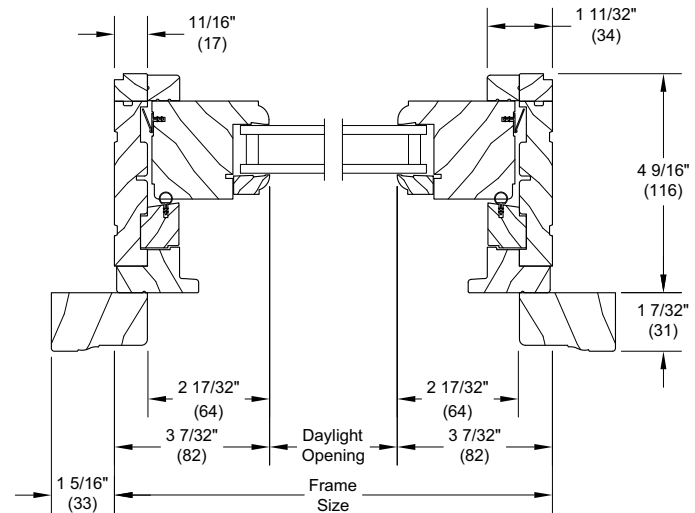


**Jamb Detail**

**2" Picture**



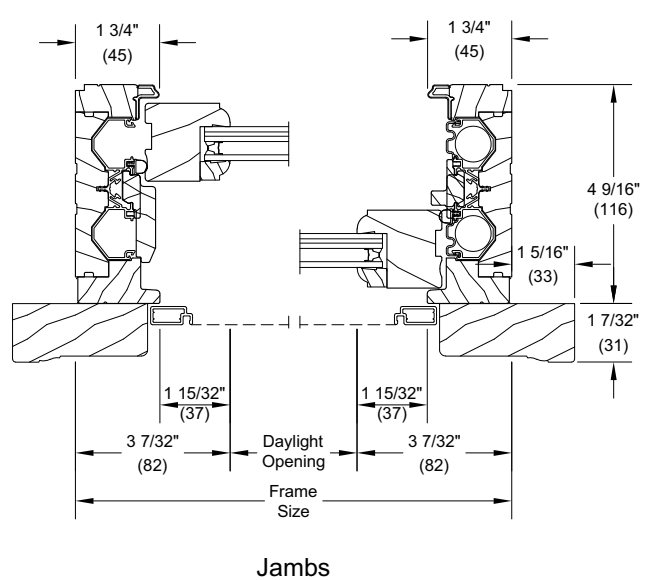
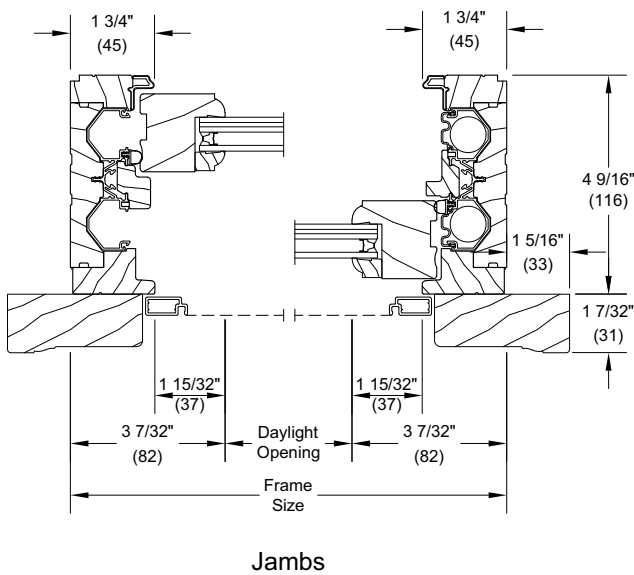
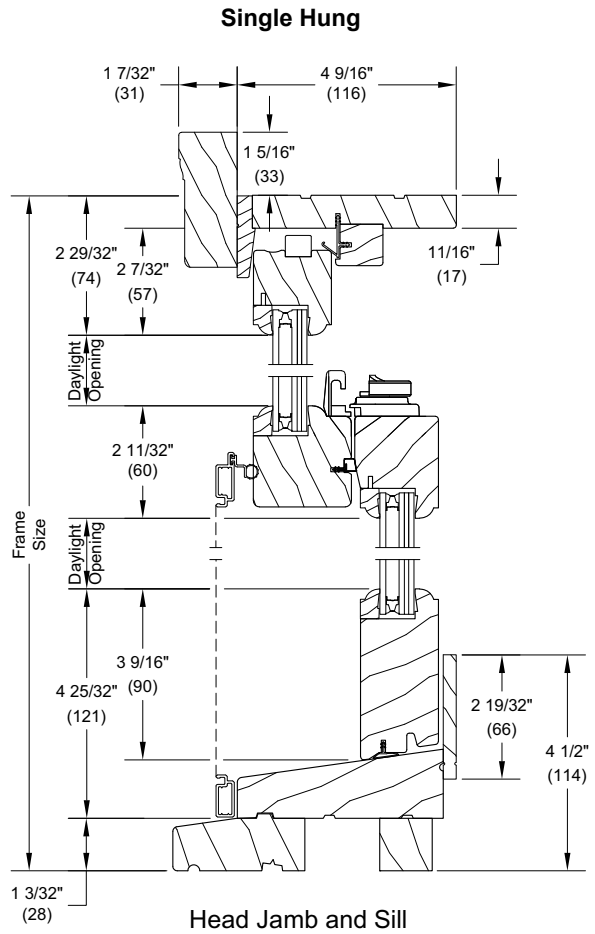
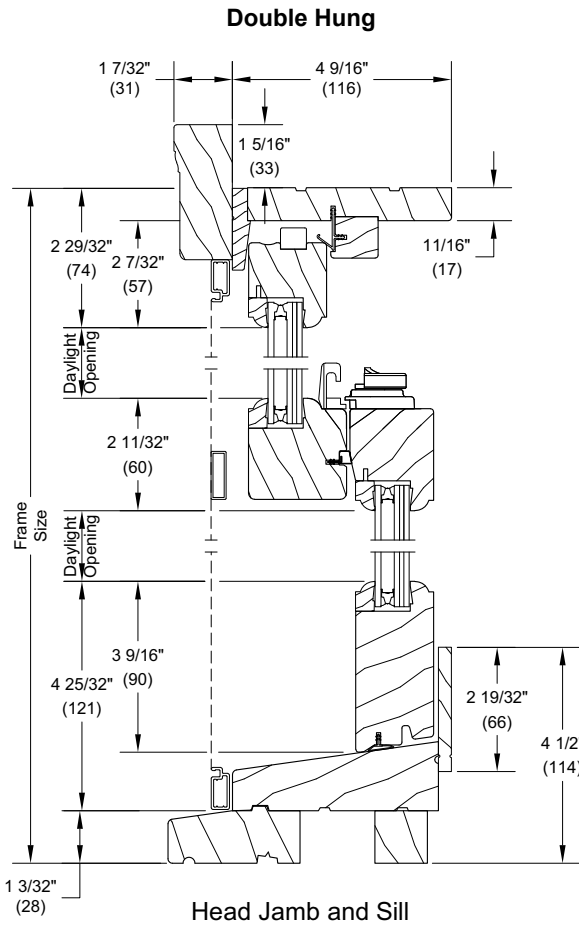
**Head Jamb and Sill**



**Jamb**

**Section Details: Operator IZ3**

Scale: 3" = 1' 0"

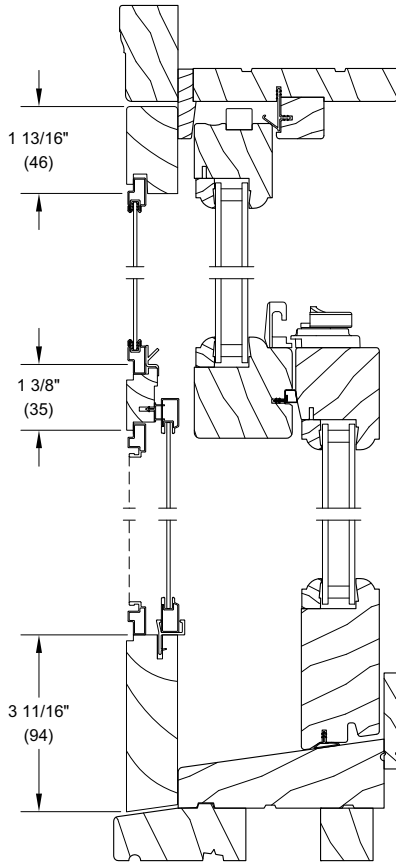


*NOTE: CE mark is not available on impact units.*

**Section Details: Combination and Storm Sash**

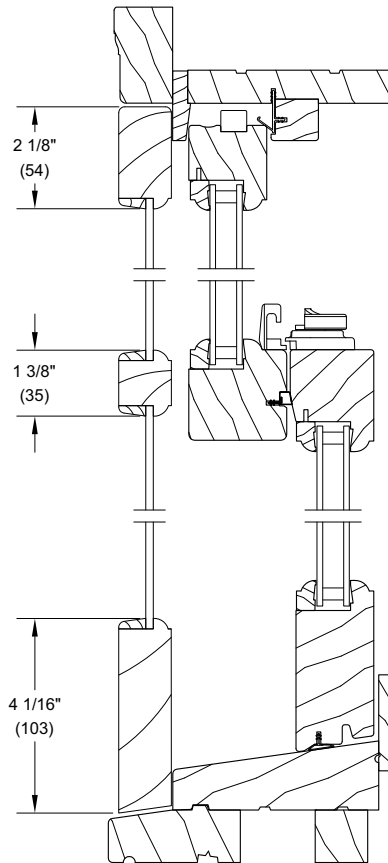
Scale: 3" = 1' 0"

**Combination**

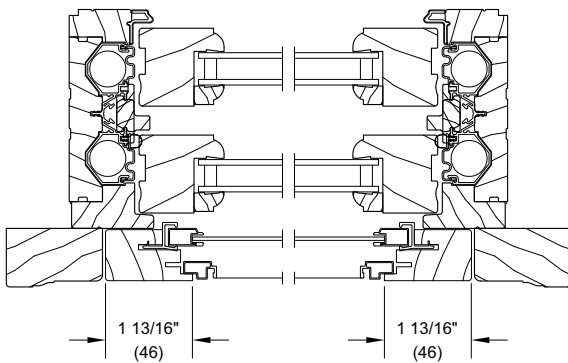


**Head Jamb and Sill**

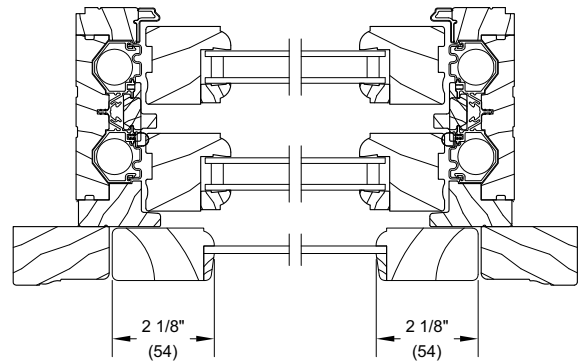
**Storm Sash**



**Head Jamb and Sill**



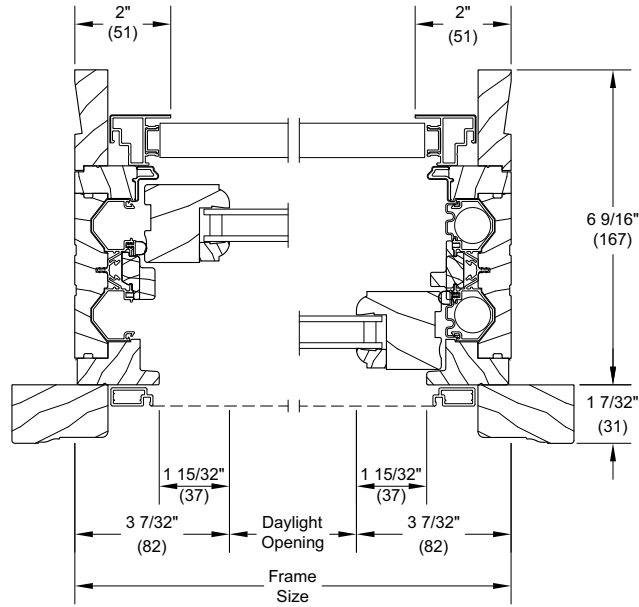
**Jambs**



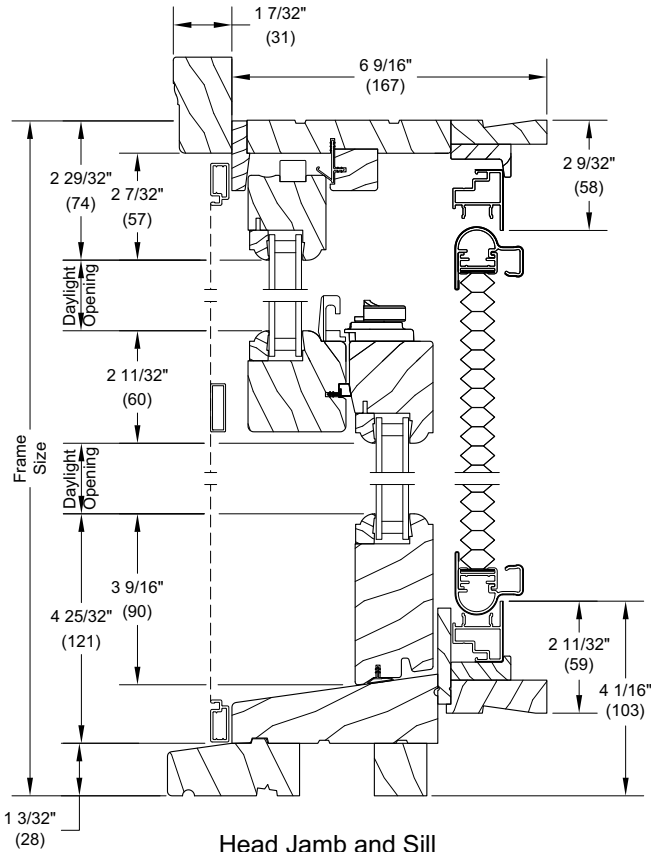
**Jambs**

**Section Details: Interior Shade Option**

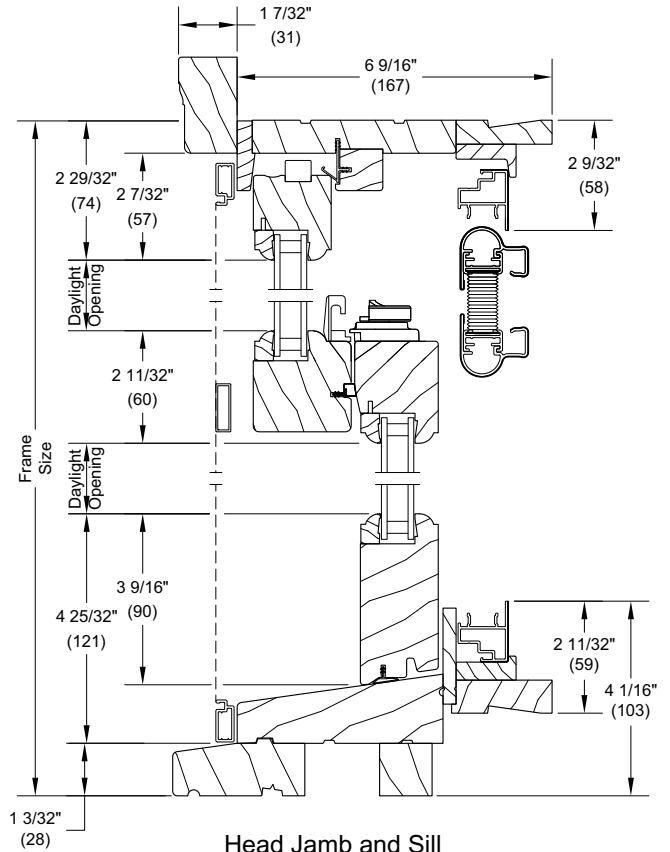
Scale: 3" = 1' 0"



Jambs



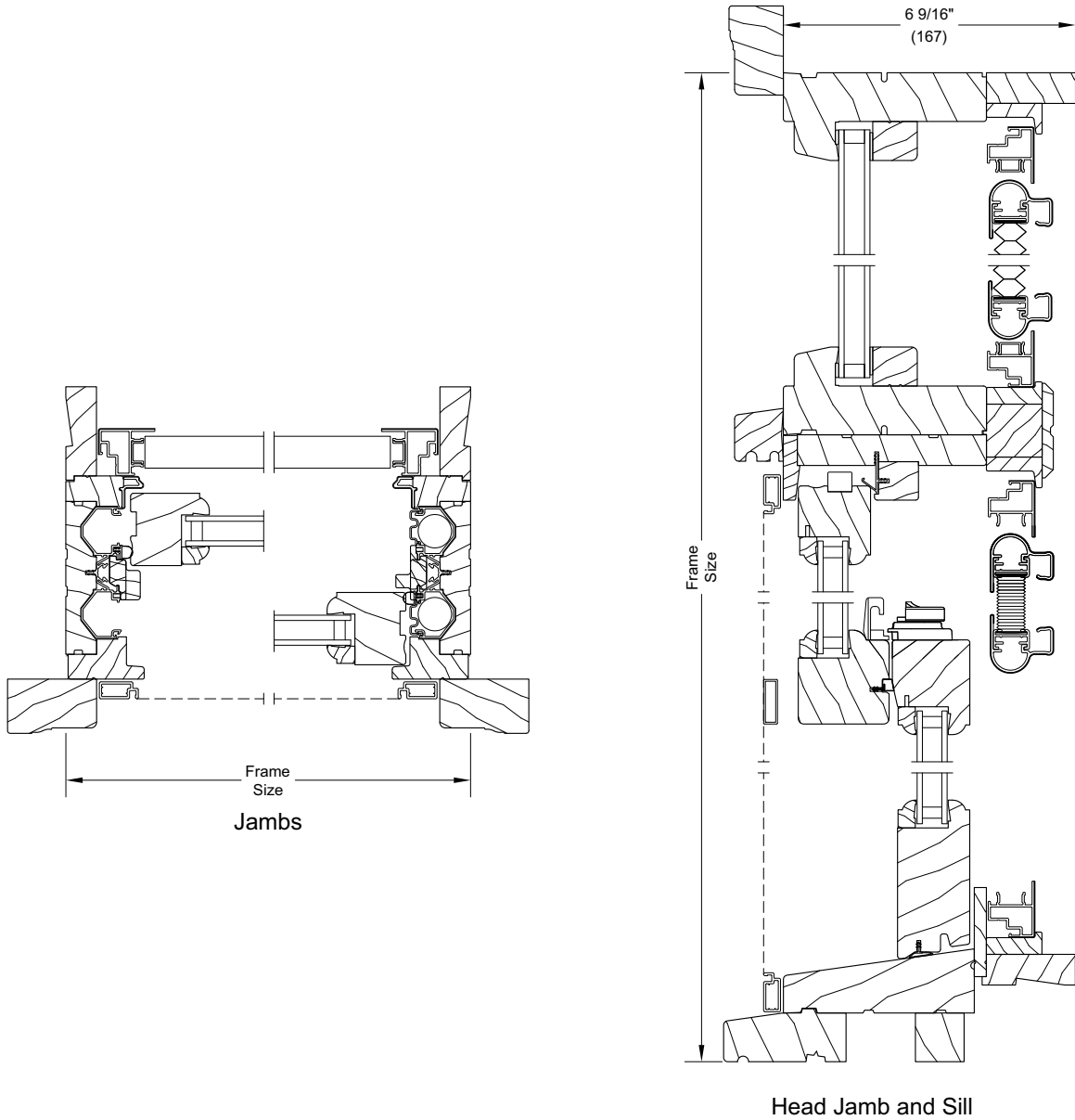
Head Jamb and Sill  
Shades Closed



Head Jamb and Sill  
Shades Open

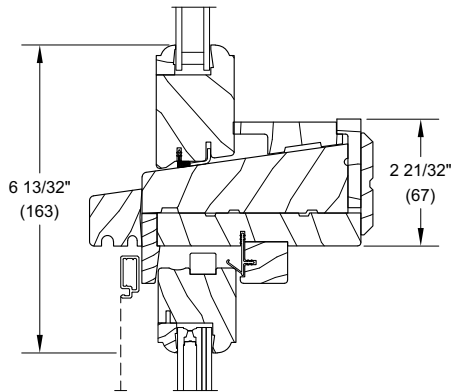
**Section Details: Muller Direct Glaze with Interior Shade Option**

Scale: 3" = 1' 0"

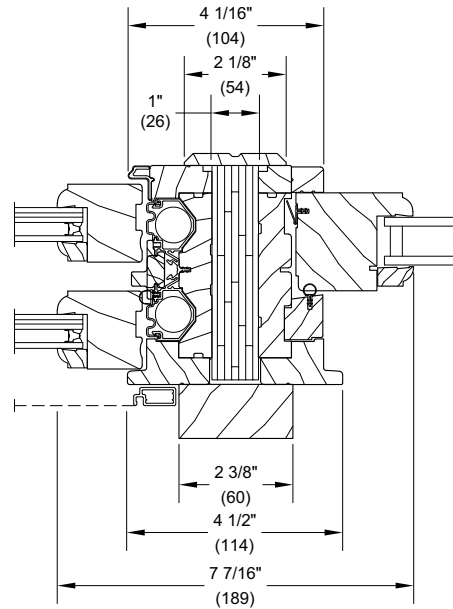


**Section Details: Mullions**

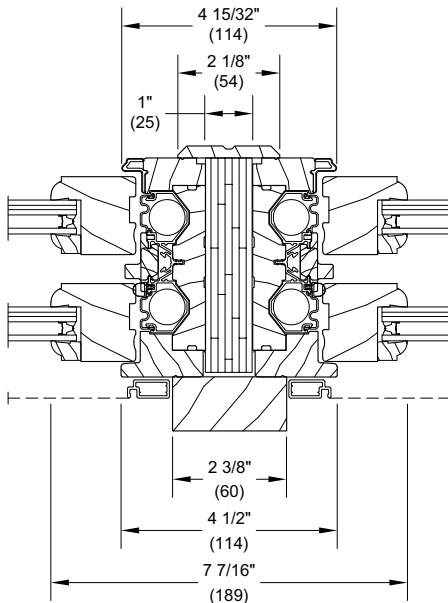
Scale: 3" - 1' 0"



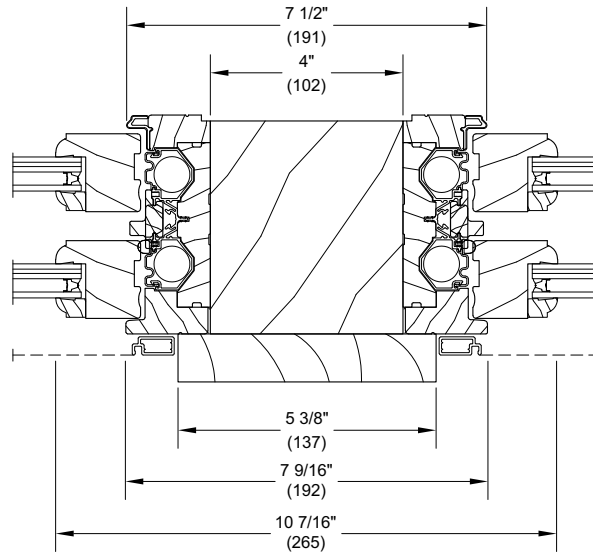
**Horizontal Mullion  
Transom/Operator**



**Vertical Mullion  
Operator/Picture  
With 1" Structural Mull**



**Vertical Mullion  
Operator with  
1" Structural Mull**

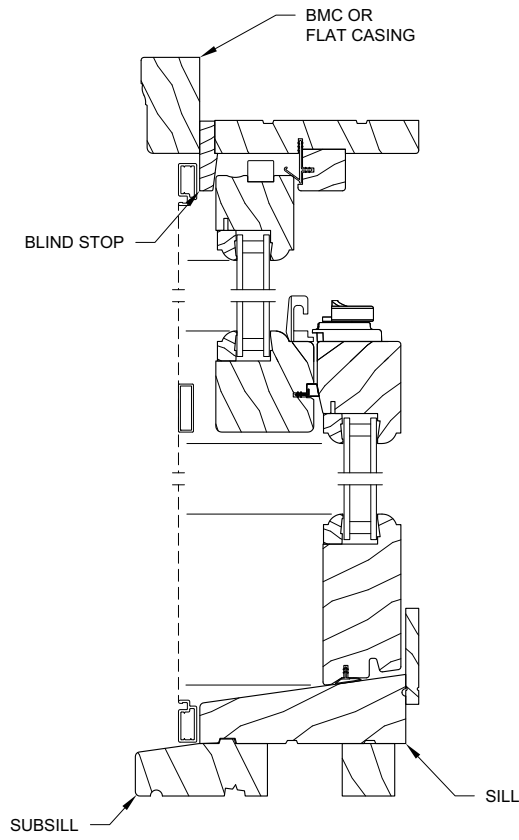


**Vertical Mullion  
Operator with 4" Solid Space Mull**

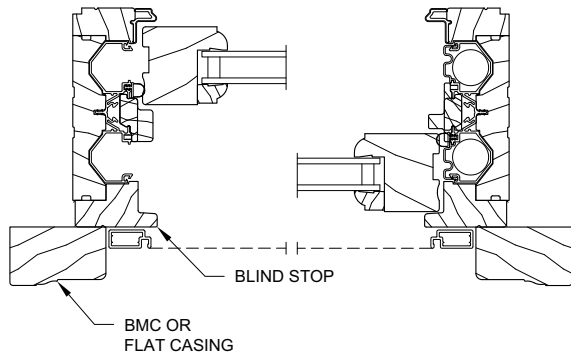


**Section Details: Operator/Stationary with Cedar Dress Option**

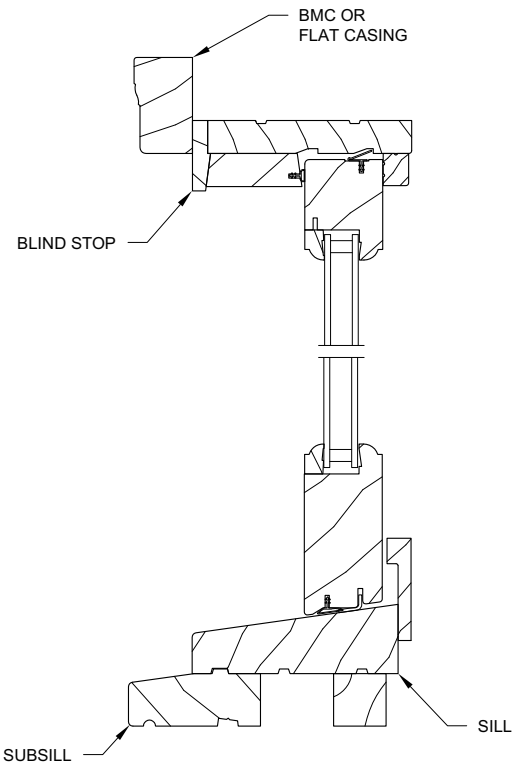
Scale: 3" - 1' 0"



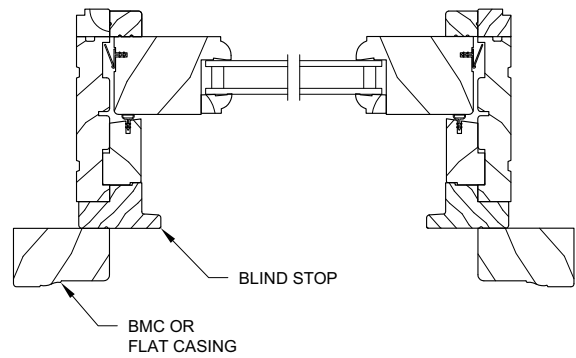
**Head Jamb and Sill**



**Jambs**



**Head Jamb and Sill**



**Jamb Detail**