

Ultimate Wood Double Hung Bow and Bay

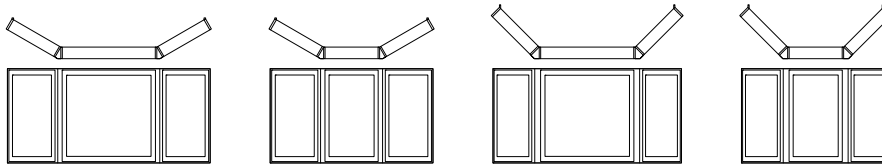
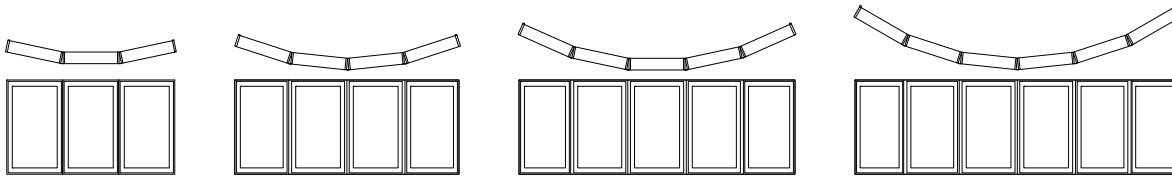
Unit Features.....	1
Min and Max Sizing and Projection for Bows and Bays.....	2
Standard Heights for Bows and Bays.....	3
Measurement Conversions	4
Bow Rough Opening and Projection - 3 Wide, 4 Wide, 5 Wide, 6 Wide	5
Section Details: Bow	6
Standard Width Call Number: 30° Bay.....	7
Section Detail: 30° Bay	8
Rough Opening and Projection Calculations: 30° Bay.....	9
Standard Width Call Number: 45° Bay.....	10
Section Detail: 45° Bay	11
Rough Opening and Projection Calculations: 45° Bay.....	12
Standard Width Call Number: 60° Bay.....	13
Section Detail: 60° Bay	14
Rough Opening and Projection Calculations: 60° Bay.....	15
Section Detail: 90° Bay	16

Unit Features

Ultimate Wood Double Hung - UWDH BB

- 6 degree angle on Bows
- Laminated Pine wood or optional Douglas Fir head and seat boards installed
- Installation brackets are available in lieu of nailing fin
- Optional retro fit bay square jamb return for UWDH BB

Information concerning Daylight Opening, Egress Opening, and Vent Opening will be determined based on the individual components of the Bow or Bay.

Bay standard operation as viewed from exterior.**Bow standard operation as viewed from exterior.**

NOTE: Also see Ultimate Wood Double Hung Collection for more unit features.

NOTE: Use of wood flat casing will change the Rough Opening and Projection. Contact your Marvin representative for further information.

NOTE: Bows and Bays are not available with CE mark from the factory. Bows and Bay kits are available for field mulling.

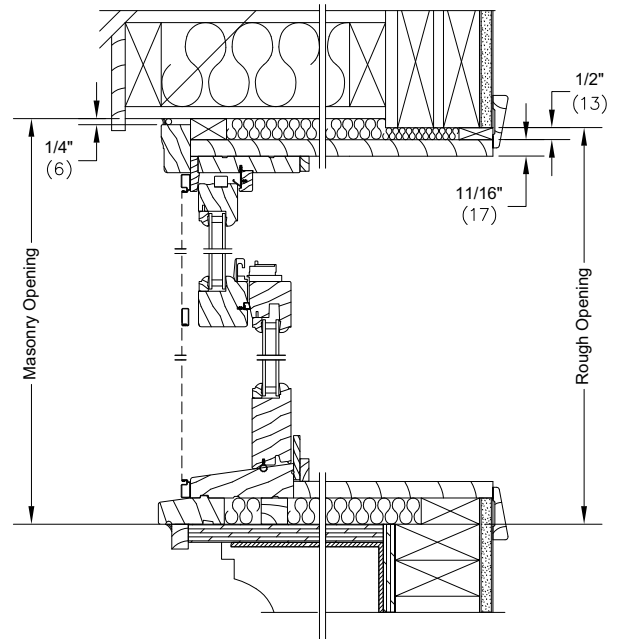
Min and Max Sizing and Projection for Bows and Bays

Configuration	Rough Opening							
	Min Width		Min Height		Max Width		Max Height	
	in	mm	in	mm	in	mm	in	mm
Bow - 3 Wide	65 31/32	(1676)	34 3/16	(868)	136 15/16	(3478)	82 3/16	(2088)
Bow - 4 Wide	86 3/4	(2203)	34 3/16	(868)	164 9/16	(4180)	94 3/16	(2392)
Bow - 5 Wide	106 1/2	(2705)	34 3/16	(868)	163 7/8	(4162)	94 3/16	(2392)
Bow - 6 Wide	125	(3175)	34 3/16	(868)	147 1/2	(3747)	94 3/16	(2392)
Special Angle Bow	48	(1219)	34 3/16	(868)	162 1/8	(4118)	94 3/16	(2392)
Bay - 30°	63 7/32	(1606)	34 3/16	(868)	128 25/32	(3271)	82 3/16	(2088)
Bay - 45°	57 7/32	(1453)	34 3/16	(868)	115 5/32	(2925)	82 3/16	(2088)
Bay - 60°	47 23/32	(1212)	34 3/16	(868)	79 23/32	(2025)	82 3/16	(2088)
Bay - 90°	23	(584)	33 1/2	(851)	47	(1194)	81 1/2	(2070)

Configuration	Projection Depth			
	Minimum		Maximum	
	in	mm	in	mm
Bow - 3 Wide	3 3/4	(95)	7 29/32	(201)
Bow - 4 Wide	7 11/32	(187)	15 5/8	(397)
Bow - 5 Wide	10 7/8	(276)	20 11/16	(525)
Bow - 6 Wide	16 1/32	(407)	27	(686)
Special Angle Bow	1/2	(1048410)	42 1/16	(1068)
Bay - 30°	9 3/8	(238)	19 3/8	(492)
Bay - 45°	12 21/32	(321)	26 13/16	(681)
Bay - 60°	17 1/2	(445)	34 13/16	(884)
Bay - 90°	22 1/16	(560)	42 1/16	(1068)

Standard Heights for Bows and Bays

Call Number Height	Rough Opening Height (w/ head & seat boards)		Frame Size Height (w/ head & seat boards)	
	ft-in	mm	ft-in	mm
12	2-11 1/32	(890)	2-10 21/32	(880)
14	3-3 1/32	(991)	3-2 21/32	(982)
16	3-7 1/32	(1093)	3-6 21/32	(1083)
18	3-11 1/32	(1195)	3-10 21/32	(1185)
20	4-3 1/32	(1296)	4-2 21/32	(1287)
22	4-7 1/32	(1398)	4-6 21/32	(1388)
24	4-11 1/32	(1499)	4-10 21/32	(1490)
26	5-3 1/32	(1601)	5-2 21/32	(1591)
28	5-7 1/32	(1703)	5-6 21/32	(1693)
30	5-11 1/32	(1804)	5-10 21/32	(1795)
32	6-3 1/32	(1906)	6-2 21/32	(1896)
34	6-7 1/32	(2007)	6-6 21/32	(1998)
36	6-11 1/32	(2109)	6-10 21/32	(2099)
40	7-7 1/32	(2312)	7-6 21/32	(2303)



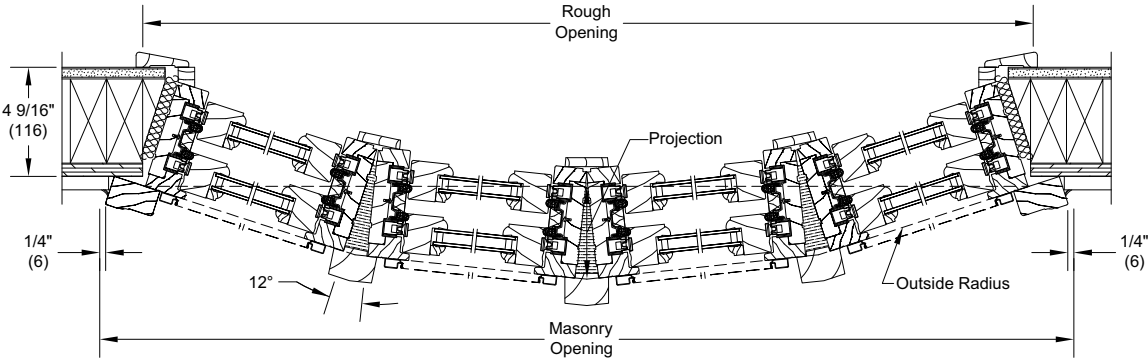
Measurement Conversions

Unit Measurements		Width		Height	
From	To				
Rough Opening - 30° Bay		in	mm	in	mm
Masonry Opening	Rough Opening (w/ head and seat boards)	-3 3/4	(95)	+ 3/8	(10)
Rough Opening - 45° Bay		in	mm	in	mm
Masonry Opening	Rough Opening (w/ head and seat boards)	-4 15/16	(125)	+ 3/8	(10)
Rough Opening - 90° Bay		in	mm	in	mm
Masonry Opening	Rough Opening (w/ head and seat boards)	-10 3/16	(259)	+ 1/2	(13)
Rough Opening - 3W Bow		in	mm	in	mm
Masonry Opening	Rough Opening (w/ head and seat boards)	-2 11/16	(68)	+ 3/8	(10)
Rough Opening - 4W Bow		in	mm	in	mm
Masonry Opening	Rough Opening (w/ head and seat boards)	-3	(77)	+ 3/8	(10)
Rough Opening - 5W Bow		in	mm	in	mm
Masonry Opening	Rough Opening (w/ head and seat boards)	-2 9/32	(58)	+ 3/8	(10)
Rough Opening - 6W Bow		in	mm	in	mm
Masonry Opening	Rough Opening (w/ head and seat boards)	-3 3/4	(95)	+ 3/8	(10)

Bow Rough Opening and Projection - 3 Wide, 4 Wide, 5 Wide, 6 Wide

Call Number (Width)	Number Wide	Bow			
		RO		Projection	
16	3	2-10 7/8	(886)	0-4 13/16	(122)
16	4	7-2 23/32	(2203)	0-9 1/2	(241)
16	5	8-10 15/32	(2704)	1-2 1/16	(357)
16	6	10-5	(3175)	1-8 27/32	(529)
20	3	3-3 23/32	(1009)	0-5 21/32	(144)
20	4	8-6 9/32	(2598)	0-11 5/32	(283)
20	5	10-5 19/32	(3190)	1-4 17/32	(420)
20	6	12-3 1/2	(3746)	2-0 1/2	(622)
24	3	3-8 17/32	(1131)	0-6 15/32	(165)
24	4	9-9 27/32	(2993)	1-0 13/16	(326)
24	5	12-0 3/4	(3676)	1-7	(482)
26	3	3-8 17/32	(1131)	0-6 15/32	(165)
26	4	10-5 5/8	(3191)	1-1 21/32	(347)
26	5	12-10 5/16	(3919)	1-8 7/32	(514)
28	3	3-10 31/32	(1193)	0-6 29/32	(175)
28	4	11-1 13/32	(3389)	1-2 15/32	(368)
28	5	13-7 7/8	(4162)	1-9 15/32	(545)
30	3	4-1 3/8	(1254)	0-7 5/16	(186)
30	4	11-9 3/16	(3586)	1-3 5/16	(389)
32	3	4-3 25/32	(1315)	0-7 23/32	(196)
32	4	12-4 31/32	(3784)	1-4 1/8	(410)
36	3	4-6 7/32	(1377)	0-8 5/32	(207)
36	4	13-8 17/32	(4179)	1-5 25/32	(452)
40	3	5-3 7/8	(1622)	0-9 13/16	(249)

Section Details: Bow



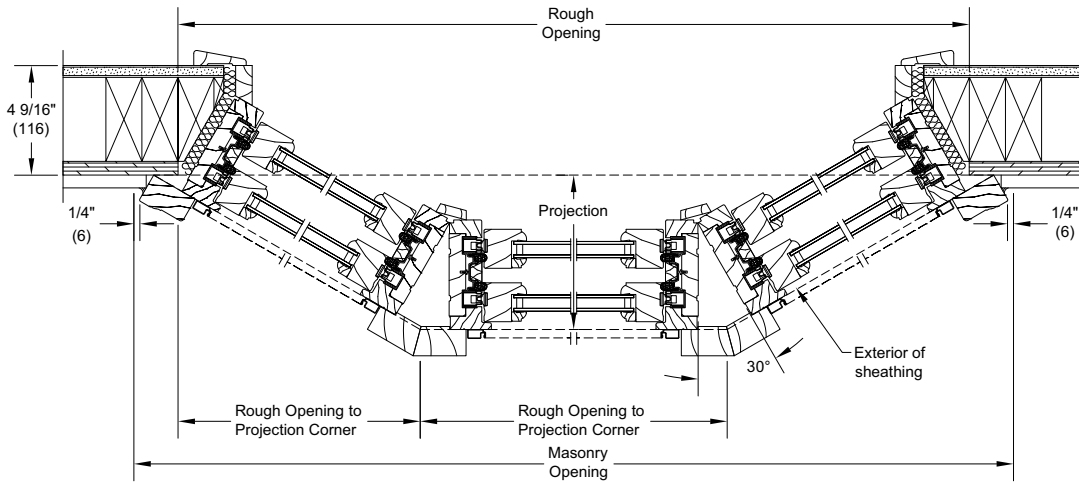
Standard Width Call Number: 30° Bay

Call Number (Width)			30° Bay					
Side	Center	Side	MO		RO		Projection	
16	16	16	5-6 15/16	(1701)	5-3 3/16	(1605)	0-11 15/16	(304)
16	20	16	5-10 15/16	(1802)	5-7 3/16	(1707)	0-11 15/16	(304)
16	24	16	6-2 15/16	(1904)	5-11 3/16	(1809)	0-11 15/16	(304)
16	26	16	6-4 15/16	(1955)	6-1 3/16	(1859)	0-11 15/16	(304)
16	28	16	6-6 15/16	(2005)	6-3 3/16	(1910)	0-11 15/16	(304)
16	30	16	6-8 15/16	(2056)	6-5 3/16	(1961)	0-11 15/16	(304)
16	32	16	6-10 15/16	(2107)	6-7 3/16	(2012)	0-11 15/16	(304)
16	36	16	7-2 15/16	(2209)	6-11 3/16	(2113)	0-11 15/16	(304)
16	40	16	7-6 15/16	(2310)	7-3 3/16	(2215)	0-11 15/16	(304)
20	20	20	6-5 7/8	(1978)	6-2 1/8	(1883)	1-1 15/16	(354)
20	24	20	6-9 7/8	(2080)	6-6 1/8	(1984)	1-1 15/16	(354)
20	26	20	6-11 7/8	(2131)	6-8 1/8	(2035)	1-1 15/16	(354)
20	28	20	7-1 7/8	(2181)	6-10 1/8	(2086)	1-1 15/16	(354)
20	30	20	7-3 7/8	(2232)	7-0 1/8	(2137)	1-1 15/16	(354)
20	32	20	7-5 7/8	(2283)	7-2 1/8	(2188)	1-1 15/16	(354)
20	36	20	7-9 7/8	(2385)	7-6 1/8	(2289)	1-1 15/16	(354)
20	40	20	8-1 7/8	(2486)	7-10 1/8	(2391)	1-1 15/16	(354)
24	24	24	7-4 13/16	(2256)	7-1 1/16	(2160)	1-3 15/16	(405)
24	26	24	7-6 13/16	(2307)	7-3 1/16	(2211)	1-3 15/16	(405)
24	28	24	7-8 13/16	(2357)	7-5 1/16	(2262)	1-3 15/16	(405)
24	30	24	7-10 13/16	(2408)	7-7 1/16	(2313)	1-3 15/16	(405)
24	32	24	8-0 13/16	(2459)	7-9 1/16	(2364)	1-3 15/16	(405)
24	36	24	8-4 13/16	(2561)	8-1 1/16	(2465)	1-3 15/16	(405)
24	40	24	8-8 13/16	(2662)	8-5 1/16	(2567)	1-3 15/16	(405)
26	26	26	7-10 1/4	(2394)	7-6 17/32	(2299)	1-4 15/16	(431)
26	28	26	8-0 1/4	(2445)	7-8 17/32	(2350)	1-4 15/16	(431)
26	30	26	8-2 1/4	(2496)	7-10 17/32	(2401)	1-4 15/16	(431)
26	32	26	8-4 1/4	(2547)	8-0 17/32	(2452)	1-4 15/16	(431)
26	36	26	8-8 1/4	(2648)	8-4 17/32	(2553)	1-4 15/16	(431)
26	40	26	9-0 1/4	(2750)	8-8 17/32	(2655)	1-4 15/16	(431)
28	28	28	8-3 3/4	(2533)	8-0	(2438)	1-5 15/16	(456)
28	30	28	8-5 3/4	(2584)	8-2	(2489)	1-5 15/16	(456)
28	32	28	8-7 3/4	(2635)	8-4	(2540)	1-5 15/16	(456)
28	36	28	8-11 3/4	(2736)	8-8	(2641)	1-5 15/16	(456)
28	40	28	9-3 3/4	(2838)	9-0	(2743)	1-5 15/16	(456)
30	30	30	8-9 3/16	(2672)	8-5 7/16	(2577)	1-6 15/16	(481)
30	32	30	8-11 3/16	(2723)	8-7 7/16	(2628)	1-6 15/16	(481)
30	36	30	9-3 3/16	(2824)	8-11 7/16	(2729)	1-6 15/16	(481)
30	40	30	9-7 3/16	(2926)	9-3 7/16	(2831)	1-6 15/16	(481)
32	32	32	9-2 11/16	(2811)	8-10 29/32	(2716)	1-7 15/16	(507)
32	36	32	9-6 11/16	(2912)	9-2 29/32	(2817)	1-7 15/16	(507)
32	40	32	9-10 11/16	(3014)	9-6 29/32	(2919)	1-7 15/16	(507)
36	36	36	10-1 9/16	(3088)	9-9 27/32	(2993)	1-9 15/16	(558)
36	40	36	10-5 9/16	(3190)	10-1 27/32	(3095)	1-9 15/16	(558)
40	40	40	11-0 1/2	(3366)	10-8 25/32	(3271)	1-11 15/16	(608)

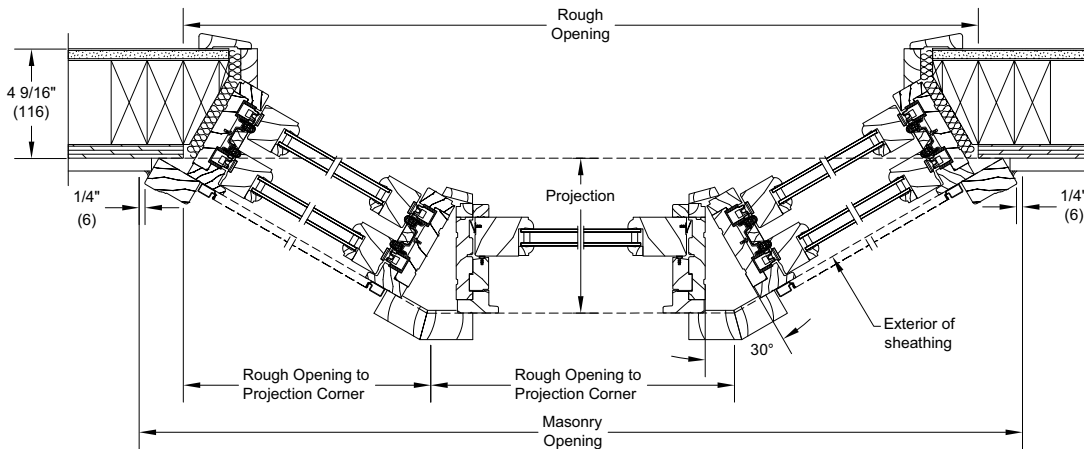
Section Detail: 30° Bay

Not to Scale

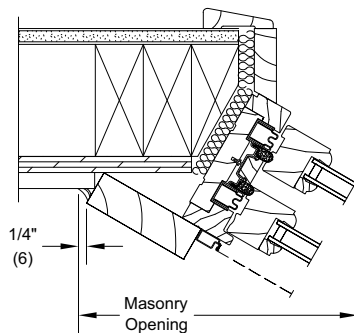
Operating Center Unit



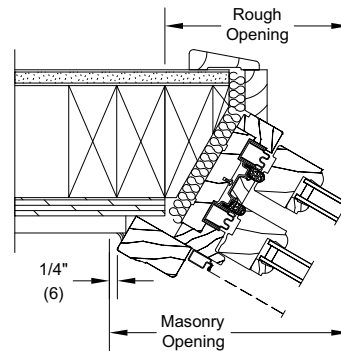
Picture Center Unit



Flat Casing



Brick Mould Casing



NOTE: 30° UWDH Bay with optional 3 1/2 (89) Flat Casing. Bow or bay assemblies with wood flat casing use enclosed profile casing. For 30° bay masonry opening widths using clad flat casing, add 6 1/4" (159) to the rough opening width.

Rough Opening and Projection Calculations: 30° Bay

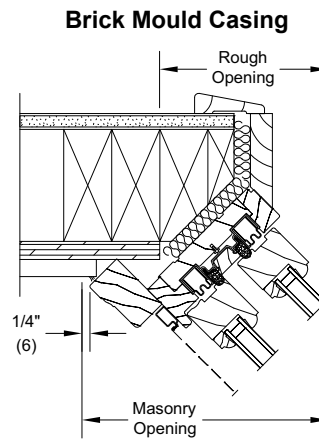
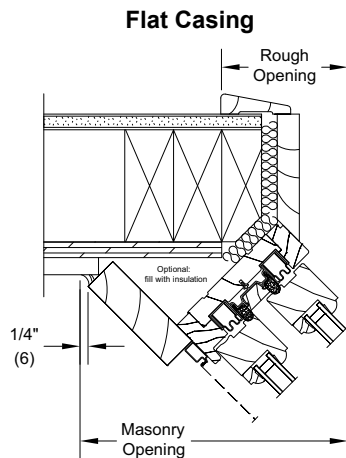
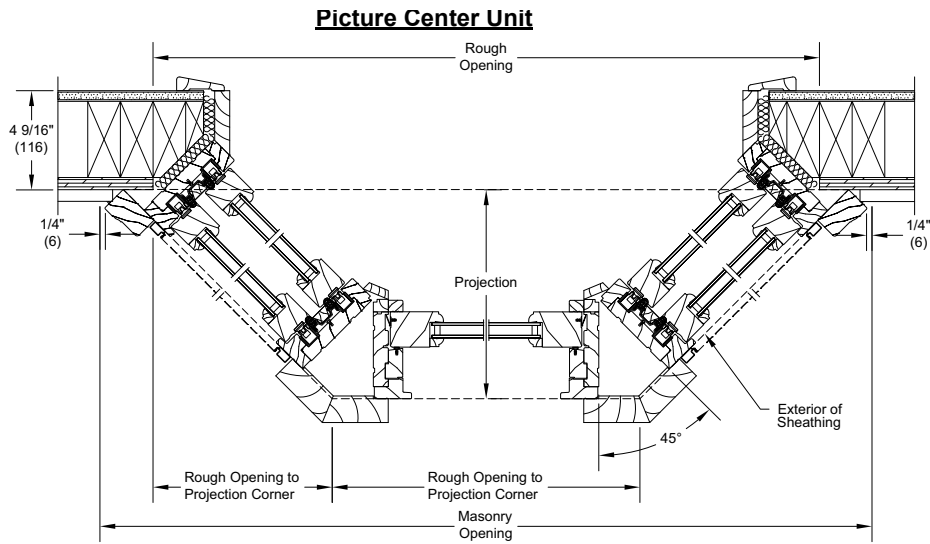
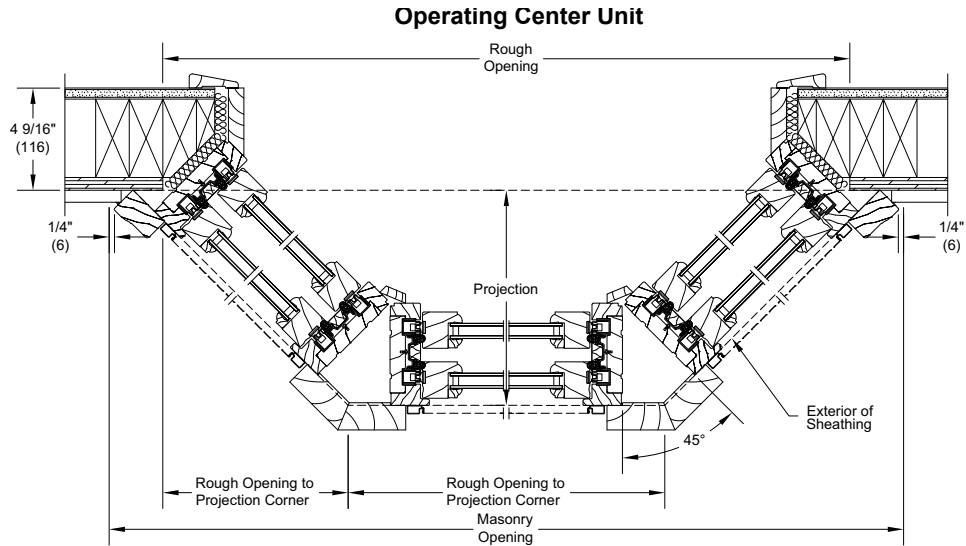
Wood Ultimate Double Hung Bay	
30-Degree	
Projection	(OM width of flanker unit PLUS 2.535) x 0.5
Rough Opening Width	Projection x 1.732 x 2 + .414 PLUS OM width of Center Unit
Masonry Opening Unit	Add 3 3/4" (95) to Rough Opening width
Rough Opening Height (with Head and Seat boards)	OM height on center unit(s) PLUS 2 9/32" (58)
Masonry Opening Height (with Head and Seat boards)	Rough Opening height ADD 3/8" (10)

Standard Width Call Number: 45° Bay

Call Number (Width)			45° Bay					
Side	Center	Side	MO		RO		Projection	
16	16	16	5-2 1/8	(1578)	4-9 3/16	(1453)	1-5 3/8	(441)
16	20	16	5-6 1/8	(1680)	5-1 3/16	(1656)	1-5 3/8	(441)
16	24	16	5-10 1/8	(1781)	5-5 3/16	(1707)	1-5 3/8	(441)
16	26	16	6-0 1/8	(1832)	5-7 3/16	(1758)	1-5 3/8	(441)
16	28	16	6-2 1/8	(1883)	5-9 3/16	(1808)	1-5 3/8	(441)
16	30	16	6-4 1/8	(1934)	5-11 3/16	(1859)	1-5 3/8	(441)
16	32	16	6-6 1/8	(1984)	6-1 3/16	(1961)	1-5 3/8	(441)
16	36	16	6-10 1/8	(2086)	6-5 3/16	(2062)	1-5 3/8	(441)
16	40	16	7-2 1/8	(2188)	6-9 3/16	(1698)	1-8 7/32	(513)
20	20	20	5-11 13/16	(1823)	5-6 7/8	(1800)	1-8 7/32	(513)
20	24	20	6-3 13/16	(1925)	5-10 7/8	(1850)	1-8 7/32	(513)
20	26	20	6-5 13/16	(1976)	6-0 7/8	(1901)	1-8 7/32	(513)
20	28	20	6-7 13/16	(2027)	6-2 7/8	(1952)	1-8 7/32	(513)
20	30	20	6-9 13/16	(2077)	6-4 7/8	(2003)	1-8 7/32	(513)
20	32	20	6-11 13/16	(2128)	6-6 7/8	(2104)	1-8 7/32	(513)
20	36	20	7-3 13/16	(2230)	6-10 7/8	(2206)	1-8 7/32	(513)
20	40	20	7-7 13/16	(2331)	7-2 7/8	(1943)	1-11 1/32	(585)
24	24	24	6-9 7/16	(2069)	6-4 1/2	(1994)	1-11 1/32	(585)
24	26	24	6-11 7/16	(2119)	6-6 1/2	(2045)	1-11 1/32	(585)
24	28	24	7-1 7/16	(2170)	6-8 1/2	(2096)	1-11 1/32	(585)
24	30	24	7-3 7/16	(2221)	6-10 1/2	(2146)	1-11 1/32	(585)
24	32	24	7-5 7/16	(2272)	7-0 1/2	(2248)	1-11 1/32	(585)
24	36	24	7-9 7/16	(2373)	7-4 1/2	(2350)	1-11 1/32	(585)
24	40	24	8-1 7/16	(2475)	7-8 1/2	(2066)	2-0 7/16	(621)
26	26	26	7-2 1/4	(2191)	6-9 5/16	(2117)	2-0 7/16	(621)
26	28	26	7-4 1/4	(2242)	6-11 5/16	(2167)	2-0 7/16	(621)
26	30	26	7-6 1/4	(2293)	7-1 5/16	(2218)	2-0 7/16	(621)
26	32	26	7-8 1/4	(2344)	7-3 5/16	(2320)	2-0 7/16	(621)
26	36	26	8-0 1/4	(2445)	7-7 5/16	(2421)	2-0 7/16	(621)
26	40	26	8-4 1/4	(2547)	7-11 5/16	(2189)	2-1 7/8	(657)
28	28	28	7-7 1/8	(2314)	7-2 3/16	(2239)	2-1 7/8	(657)
28	30	28	7-9 1/8	(2365)	7-4 3/16	(2290)	2-1 7/8	(657)
28	32	28	7-11 1/8	(2415)	7-6 3/16	(2392)	2-1 7/8	(657)
28	36	28	8-3 1/8	(2517)	7-10 3/16	(2493)	2-1 7/8	(657)
28	40	28	8-7 1/8	(2619)	8-2 3/16	(2311)	2-3 9/32	(693)
30	30	30	7-11 15/16	(2437)	7-7	(2362)	2-3 9/32	(693)
30	32	30	8-1 15/16	(2487)	7-9	(2464)	2-3 9/32	(693)
30	36	30	8-5 15/16	(2589)	8-1	(2565)	2-3 9/32	(693)
30	40	30	8-9 15/16	(2691)	8-5	(2434)	2-4 11/16	(729)
32	32	32	8-4 3/4	(2559)	7-11 13/16	(2535)	2-4 11/16	(729)
32	36	32	8-8 3/4	(2661)	8-3 13/16	(2637)	2-4 11/16	(729)
32	40	32	9-0 3/4	(2762)	8-7 13/16	(2679)	2-7 17/32	(801)
36	36	36	9-2 7/16	(2804)	8-9 1/2	(2781)	2-7 17/32	(801)
36	40	36	9-6 7/16	(2906)	9-1 1/2	(2924)	2-10 11/32	(872)

Section Detail: 45° Bay

Not to Scale



NOTE: 30° UWDH Bay with optional 3 1/2 (89) Flat Casing. Bow or bay assemblies with wood flat casing use enclosed profile casing. For 30° bay masonry opening widths using clad flat casing, add 6 7/8" (175) to the rough opening width.

Rough Opening and Projection Calculations: 45° Bay

Ultimate Wood Double Hung Bay	
45-Degree	
Projection	(OM width of flanker unit PLUS 3.202) x 0.707
Rough Opening Width	(Projection x 1 x 2 + 1.067) Plus OM width of Center Unit
Masonry Opening Width	Add 4 15/16" (125) to Rough Opening width
Rough Opening Height (with Head and Seat Boards)	OM height on center unit(s) Plus 2 9/32" (58)
Masonry Opening Height (with Head and Seat Boards)	Rough Opening height add 3/8" (10)

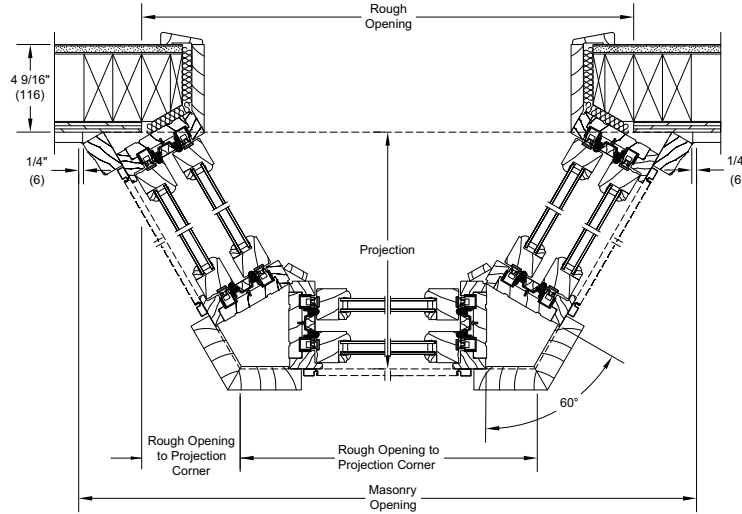
Standard Width Call Number: 60° Bay

Call Number (Width)			60° Bay					
Side	Center	Side	MO		RO		Projection	
16	16	16	4-6 9/16	(1386)	3-11 11/16	(1212)	1-9 15/16	(557)
16	20	16	4-10 9/16	(1487)	4-3 11/16	(1313)	1-9 15/16	(557)
16	24	16	5-2 9/16	(1589)	4-7 11/16	(1415)	1-9 15/16	(557)
16	26	16	5-4 9/16	(1640)	4-9 11/16	(1466)	1-9 15/16	(557)
16	28	16	5-6 9/16	(1691)	4-11 11/16	(1516)	1-9 15/16	(557)
16	30	16	5-8 9/16	(1741)	5-1 11/16	(1567)	1-9 15/16	(557)
16	32	16	5-10 9/16	(1792)	5-3 11/16	(1618)	1-9 15/16	(557)
16	36	16	6-2 9/16	(1894)	5-7 11/16	(1720)	1-9 15/16	(557)
16	40	16	6-6 9/16	(1995)	5-11 11/16	(1821)	1-9 15/16	(557)
20	20	20	5-2 9/16	(1589)	4-7 11/16	(1415)	2-1 13/32	(645)
20	24	20	5-6 9/16	(1691)	4-11 11/16	(1516)	2-1 13/32	(645)
20	26	20	5-8 9/16	(1741)	5-1 11/16	(1567)	2-1 13/32	(645)
20	28	20	5-10 9/16	(1792)	5-3 11/16	(1618)	2-1 13/32	(645)
20	30	20	6-0 9/16	(1843)	5-5 11/16	(1669)	2-1 13/32	(645)
20	32	20	6-2 9/16	(1894)	5-7 11/16	(1719)	2-1 13/32	(645)
20	36	20	6-6 9/16	(1995)	5-11 11/16	(1821)	2-1 13/32	(645)
20	40	20	6-10 9/16	(2097)	6-3 11/16	(1923)	2-1 13/32	(645)
24	24	24	5-10 9/16	(1792)	5-3 11/16	(1618)	2-4 27/32	(733)
24	26	24	6-0 9/16	(1843)	5-5 11/16	(1669)	2-4 27/32	(733)
24	28	24	6-2 9/16	(1894)	5-7 11/16	(1719)	2-4 27/32	(733)
24	30	24	6-4 9/16	(1944)	5-9 11/16	(1770)	2-4 27/32	(733)
24	32	24	6-6 9/16	(1995)	5-11 11/16	(1821)	2-4 27/32	(733)
24	36	24	6-10 9/16	(2097)	6-3 11/16	(1923)	2-4 27/32	(733)
24	40	24	7-2 9/16	(2198)	6-7 11/16	(2024)	2-4 27/32	(733)
26	26	26	6-2 9/16	(1894)	5-7 11/16	(1719)	2-6 19/32	(777)
26	28	26	6-4 9/16	(1944)	5-9 11/16	(1770)	2-6 19/32	(777)
26	30	26	6-6 9/16	(1995)	5-11 11/16	(1821)	2-6 19/32	(777)
26	32	26	6-8 9/16	(2046)	6-1 11/16	(1872)	2-6 19/32	(777)
26	36	26	7-0 9/16	(2148)	6-5 11/16	(1973)	2-6 19/32	(777)
26	40	26	7-4 9/16	(2249)	6-9 11/16	(2075)	2-6 19/32	(777)
28	28	28	6-6 9/16	(1995)	5-11 11/16	(1821)	2-8 5/16	(821)
28	30	28	6-8 9/16	(2046)	6-1 11/16	(1872)	2-8 5/16	(821)
28	32	28	6-10 9/16	(2097)	6-3 11/16	(1923)	2-8 5/16	(821)
28	36	28	7-2 9/16	(2198)	6-7 11/16	(2024)	2-8 5/16	(821)
28	40	28	7-6 9/16	(2300)	6-11 11/16	(2126)	2-8 5/16	(821)
30	30	30	6-10 9/16	(2097)	6-3 11/16	(1923)	2-10 1/16	(865)
30	32	30	7-0 9/16	(2148)	6-5 11/16	(1973)	2-10 1/16	(865)
30	36	30	7-4 9/16	(2249)	6-9 11/16	(2075)	2-10 1/16	(865)
30	40	30	7-8 9/16	(2351)	7-1 11/16	(2177)	2-10 1/16	(865)
32	32	32	7-2 9/16	(2198)	6-7 11/16	(2024)	2-11 25/32	(909)
32	36	32	7-6 9/16	(2300)	6-11 11/16	(2126)	2-11 25/32	(909)
32	40	32	7-10 9/16	(2402)	7-3 11/16	(2227)	2-11 25/32	(909)
36	36	36	7-10 9/16	(2401)	7-3 11/16	(2227)	3-3 1/4	(997)
36	40	36	8-2 9/16	(2503)	7-7 11/16	(2329)	3-3 1/4	(997)

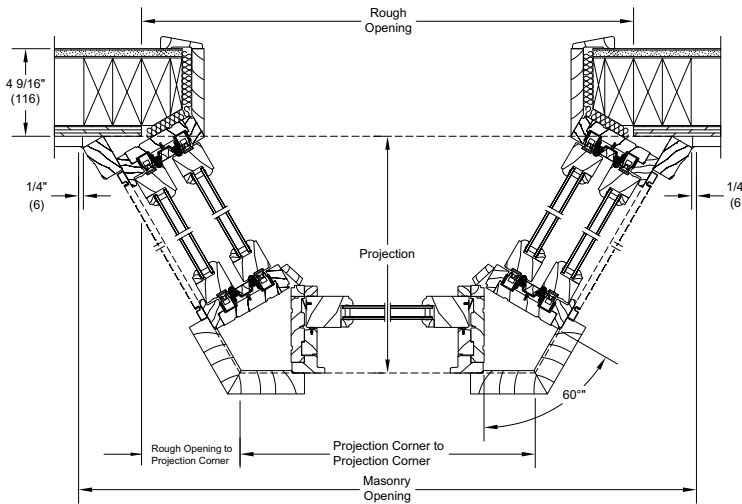
Section Detail: 60° Bay

Not to Scale

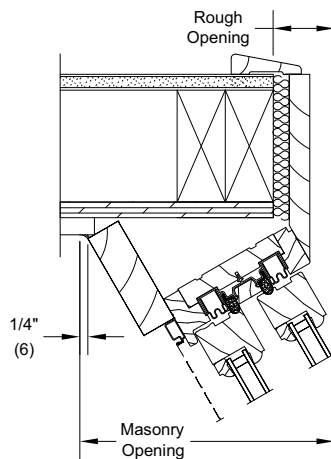
Operating Center Unit



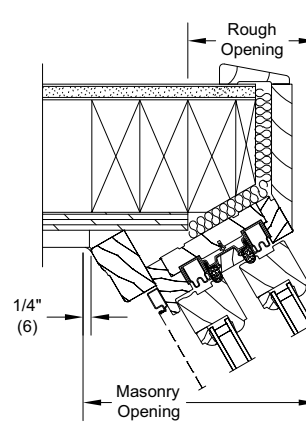
Picture Center Unit



Flat Casing



Brick Mould Casing



NOTE: 30° UWDH Bay with optional 3 1/2 (89) Flat Casing. Bow or bay assemblies with wood flat casing use enclosed profile casing. For 30° bay masonry opening widths using clad flat casing, add 8 5/32" (207) to the rough opening width.

Rough Opening and Projection Calculations: 60° Bay

Ultimate Wood Double Hung Bay	
60-Degree	
Projection	(OM width of flanker unit PLUS 3.947) x 0.866
Rough Opening Width	Projection x .577 + 1.018 + Center Om Width
Masonry Opening Unit	Add 6.861" (174) to Rough Opening width
Rough Opening Height (with Head and Seat boards)	OM height on center unit(s) PLUS 2 9/32" (58)
Masonry Opening Height (with Head and Seat boards)	Rough Opening height ADD 3/8" (10)

Section Detail: 90° Bay

Scale: 3" = 1' 0"

90° Bay - UWDHBB

