

Ultimate Wood Swinging French Doors 2 1/4"

Standard Unit Measurements.....	1
Certified Sizes and Ratings.....	2
Minimum and Maximum Guidelines: Doors and Interior Shades.....	3
Measurement Conversions.....	4
Net Clear Opening: Inswing.....	5
Net Clear Opening: Outswing.....	6
Net Clear Opening: Outswing w/Interior Shade.....	7
Inswing Section Details: Operating.....	8
Inswing Section Details: Stationary and Sidelite.....	9
Inswing Section Details: Panel Configurations.....	10
Inswing Section Details: Ultimate Swinging Screen.....	11
Inswing Section Details: Flat Panel Placement.....	12
Inswing Section Details: Raised Panel Placement.....	13
Inswing Section Details: Interior Shade.....	14
Outswing Section Details: Operating.....	15
Outswing Section Details: Stationary and Sidelite.....	16
Outswing Section Details: Panel Configurations.....	17
Outswing Section Details: Flat Panel Placement.....	18
Outswing Section Details: Raised Panel Placement.....	19
Outswing Section Details: Interior Shade.....	20

Standard Unit Measurements

Standard Inswing and Outswing Unit Measurements													
Width													
Unit Type	Call Number	Masonry Opening		Rough Opening		Frame Size		Panel OM		Daylight Opening		Glass Size	
		ft - in	mm	ft - in	mm	ft - in	mm	ft-in	mm	ft - in	mm	ft-in	mm
1 Panel	2-6	2-10 9/16	(878)	2-8 7/16	(824)	2-7 7/16	(799)	2-5 1/16	(738)	1-5 3/32	(434)	1-6 13/32	(468)
	2-8	3-0 9/16	(929)	2-10 7/16	(875)	2-9 7/16	(849)	2-7 1/16	(789)	1-7 3/32	(485)	1-8 13/32	(518)
	3-0	3-4 9/16	(1030)	3-2 7/16	(976)	3-1 7/16	(951)	2-11 1/16	(891)	1-11 3/32	(587)	2-0 13/32	(620)
2 Panel	5-0	5-3 3/4	(1619)	5-1 5/8	(1565)	5-0 5/8	(1540)	2-5 1/16	(738)	1-5 3/32	(434)	1-6 13/32	(468)
	5-4	5-7 3/4	(1721)	5-5 5/8	(1667)	5-4 5/8	(1641)	2-7 1/16	(789)	1-7 3/32	(485)	1-8 13/32	(518)
	6-0	6-3 3/4	(1924)	6-1 5/8	(1870)	6-0 5/8	(1845)	2-11 1/16	(891)	1-11 3/32	(587)	2-0 13/32	(620)
Height													
Unit Type	Call Number	Masonry Opening		Rough Opening		Frame Size		Panel OM		Daylight Opening		Glass Size	
		ft - in	mm	ft - in	mm	ft - in	mm	ft-in	mm	ft - in	mm	ft - in	mm
All Configurations	8-0	8-1 1/16	(2465)	8-0	(2438)	7-11 1/2	(2426)	7-8 1/2	(2350)	6-6 3/8	(1991)	6-7 11/16	(2024)
	10-0	10-1 1/16	(3075)	10-0	(3048)	9-11 1/2	(3035)	9-8 1/2	(2959)	8-6 3/8	(2600)	8-7 11/16	(2634)

Certified Sizes and Ratings

Inswing Doors

Product	Air Tested to psf	Water Tested to psf	Structural Tested to psf	Certification Rating	Design Pressure (DP)	Max Overall Width		Max Overall Height		# of Panels
						in	mm	in	mm	
Ultimate Wood Inswing French Door 2 1/4inch 30100 (O)	1.57	8.25 psf	+82.5/-97.5	LC-PG55-FD	+55/-65	37 7/16	(951)	119 1/2	(3035)	1
Ultimate Wood Inswing French Door 2 1/4inch 60100 (XX)	1.57	8.25 psf	+82.5/-97.5	LC-PG55-FD	+55/-65	72 5/8	(1845)	119 1/2	(3035)	2

Impact Product	Air Tested to psf	Water Tested to psf	Structural Tested to psf	Certification Rating	Design Pressure (DP)	Max Overall Width		Max Overall Height		# of Panels
						in	mm	in	mm	
Ultimate Wood Inswing French Door 2 1/4inch IZ3 60100 (XX)	1.57	8.25	+82.5/-97.5	LC-PG55-SHD	+55/-65	72 5/8	(1845)	115 7/8	(2943)	2
Ultimate Wood Inswing French Door 2 1/4inch IZ3 30100 (O)	1.57	8.25	+82.5/-97.5	LC-PG55-SHD	+55/-65	37 7/16	(951)	115 7/8	(2943)	1

Outswing Doors

Product	Air Tested to psf	Water Tested to psf	Structural Tested to psf	Certification Rating	Design Pressure (DP)	Max Overall Width		Max Overall Height		# of Panels
						in	mm	in	mm	
Ultimate Wood Outswing French Door 2 1/4inch 30100 (O)	1.57	8.25	+82.5/-97.5	LC-PG55-FD	+55/-65	37.4375	(951)	119.5	(3035)	1
Ultimate Wood Outswing French Door 2 1/4inch 60100 (XX)	1.57	8.25	+82.5/-97.5	LC-PG55-SHD	+55/-65	72.625	(1845)	119.5	(3035)	2

Impact Product	Air Tested to psf	Water Tested to psf	Structural Tested to psf	Certification Rating	Design Pressure (DP)	Max Overall Width		Max Overall Height		# of Panels
						in	mm	in	mm	
Ultimate Wood Outswing French Door 2 1/4inch IZ3 60100 (XX)	1.57	8.25	+82.5/-97.5	LC-PG55-SHD	+55/-65	72.625	(1845)	115.875	(2943)	2
Ultimate Wood Outswing French Door 2 1/4inch IZ3 30100 (O)	1.57	8.25	+82.5/-97.5	LC-PG55-SHD	+55/-65	37.4375	(951)	115.875	(2943)	1

NOTE:

- For CE ratings, please refer to CE Performance Chapter.
- Impact rated products are not available with CE mark.

Minimum and Maximum Guidelines: Doors and Interior Shades

Door Minimum and Maximum Frame Size - Certified								
Unit Configuration	Min Width		Min Height		Max Width		Max Height	
	in	mm	in	mm	in	mm	in	mm
1 - Panel Stationary	20 5/16	(516)	25 1/8	(638)	37 7/16	(951)	119 1/2	(3035)
1 - Panel Operator	20 5/16	(516)	70 5/16	(1786)	37 7/16	(951)	119 1/2	(3035)
2 - Panel Operator	38 3/8	(975)	70 5/16	(1786)	72 5/8	(1845)	119 1/2	(3035)

Interior Shade Minimum and Maximum Daylight Opening								
Unit Configuration	Min DLO				Max DLO			
	Width		Height		Width		Height	
	in	mm	in	mm	in	mm	in	mm
Door Panel	11 1/2	(292)	8	(203)	72 25/32	(1849)	102 3/8	(2600)

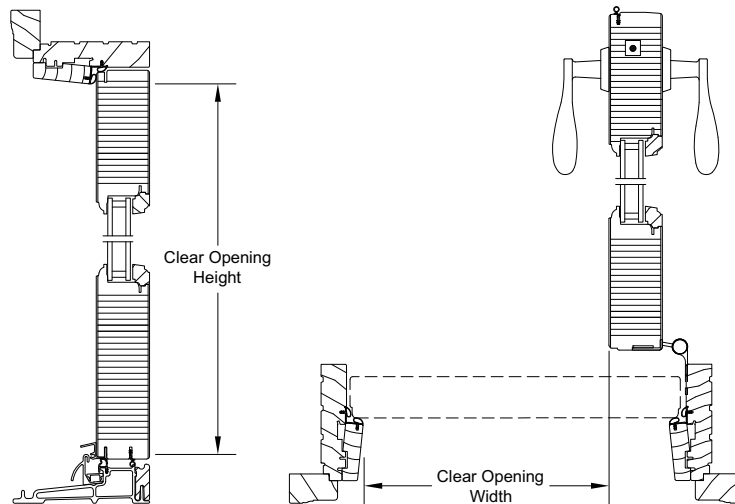
Door Minimum and Maximum Frame Size - Extended Sizes				
Unit Configuration	Max Width		Max Height	
	in	mm	in	mm
1 - Panel Stationary	57 3/8	(1457)	119 1/2	(3035)
1 - Panel Operator	50 3/8	(1280)	119 1/2	(3035)
2 - Panel Operator	98 1/2	(2502)	119 1/2	(3035)

Measurement Conversions

Unit Measurements		Width			Height	
From	To					
Frame		in	mm		in	mm
OM of Frame	Rough Opening	+ 1	(25)		+ 1/2	(13)
Masonry Opening w/BMC	Rough Opening	-2 1/8	(54)		-1 1/16	(27)
Operating Panel		in	mm		in	mm
OM of Frame	OM of Panel (x1)	-2 3/8	(60)		-3	(76)
OM of Frame	OM of Panel (x2)	-2 1/2	(304)	+ 2	-3	(76)
Daylight Opening	OM of Panel	+ 11 31/32	(304)		+ 14 1/8	(359)
Glass		in	mm		in	mm
Daylight Opening	Glass	+ 1 5/16	(33)		+ 1 5/16	(33)
Interior Shades		in	mm		in	mm
Daylight Opening	Surround Size	+ 2 3/4	(70)		+ 2 15/16	(75)

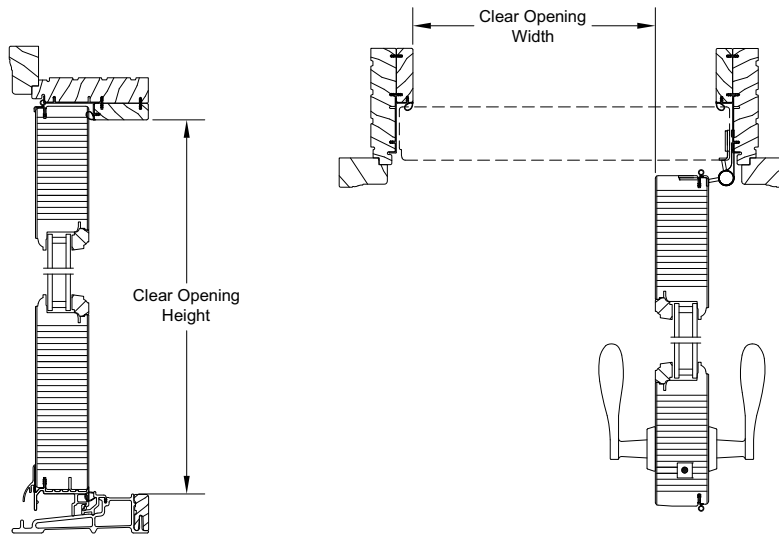
Net Clear Opening: Inswing

Net Clear Opening Ultimate Wood Inswing French Door 2 1/4"			
Width			
Unit Type	Call Number	Net Clear Openings	
		ft-in	mm
1 Panel Operator	2-6	2-1 15/32	(647)
	2-8	2-3 15/32	(698)
	3-0	2-7 15/32	(799)
2 Panel Operator	5-0	4-4 3/16	(1325)
	5-4	4-8 3/16	(1427)
	6-0	5-4 3/16	(1630)
Height			
Unit Type	Call Number	Net Clear Openings	
		ft - in	mm
All Configurations	8-0	7-7 23/32	(2329)
	10-0	9-7 23/32	(2939)



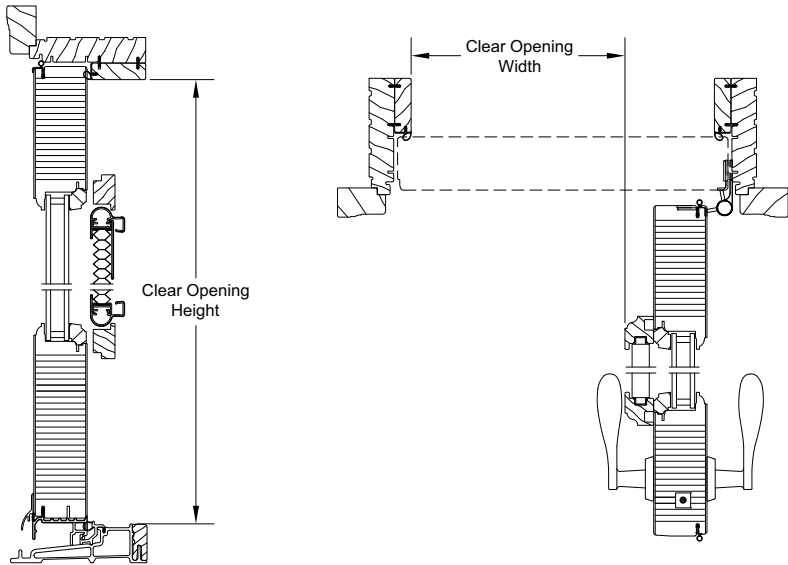
Net Clear Opening: Outswing

Net Clear Opening Ultimate Wood Outswing French Door 2 1/4"			
Width			
Unit Type	Call Number	Net Clear Openings	
		ft-in	mm
1 Panel Operator	2-6	2-1 15/32	(647)
	2-8	2-3 15/32	(698)
	3-0	2-7 15/32	(799)
2 Panel Operator	5-0	4-4 3/16	(1325)
	5-4	4-8 3/16	(1427)
	6-0	5-4 3/16	(1630)
Height			
Unit Type	Call Number	Net Clear Openings	
		ft - in	mm
All Configurations	8-0	7-8 1/8	(2340)
	10-0	9-8 1/8	(2950)



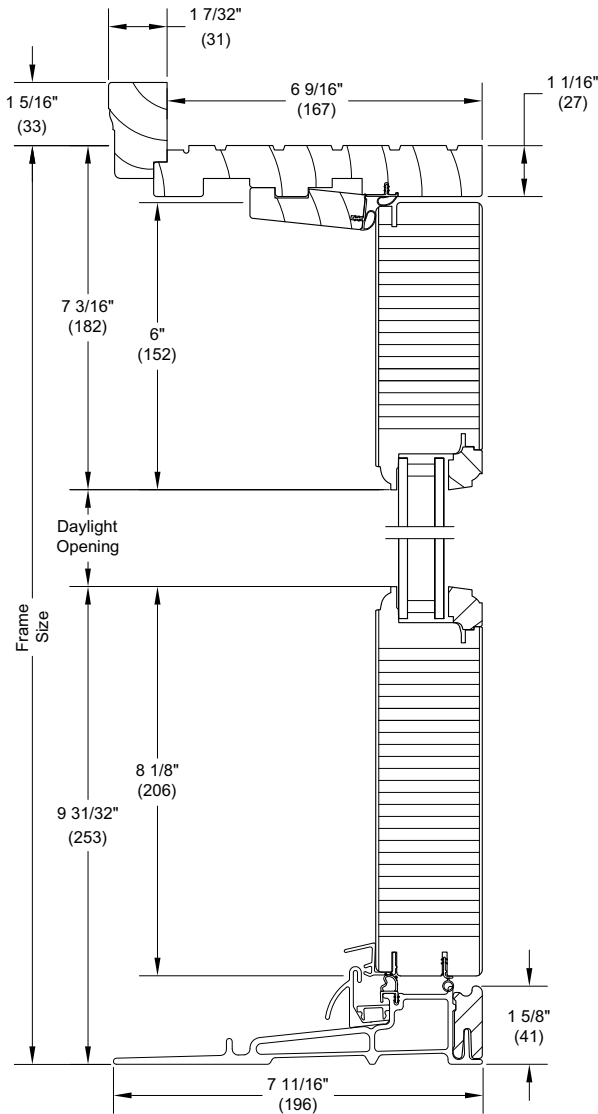
Net Clear Opening: Outswing w/Interior Shade

Net Clear Opening Ultimate Wood Inswing French Door 2 1/4"			
Width			
Unit Type	Call Number	Net Clear Openings	
		ft-in	mm
1 Panel Operator	2-6	2-1 15/32	(647)
	2-8	2-3 15/32	(698)
	3-0	2-7 15/32	(799)
2 Panel Operator	5-0	4-4 3/16	(1325)
	5-4	4-8 3/16	(1427)
	6-0	5-4 3/16	(1630)
Height			
Unit Type	Call Number	Net Clear Openings	
		ft - in	mm
All Configurations	8-0	7-7 23/32	(2329)
	10-0	9-7 23/32	(2939)

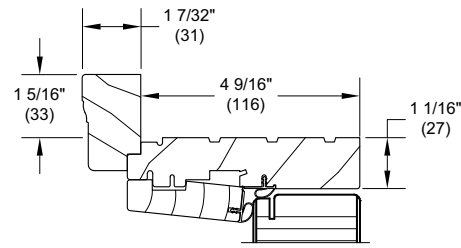


Inswing Section Details: Operating

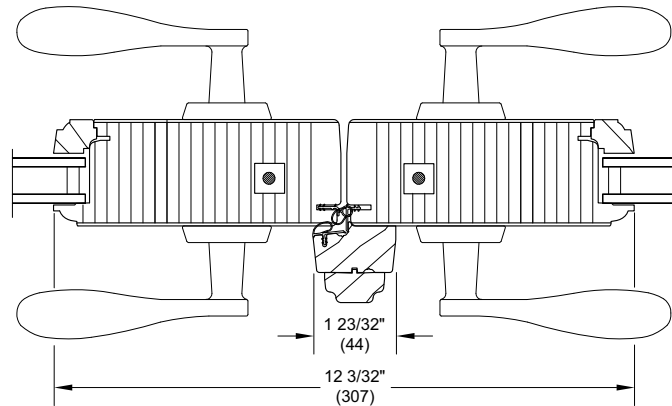
Scale: 3" = 1' 0"



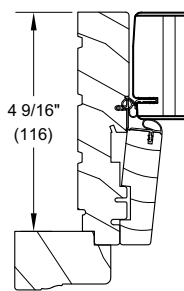
Head Jamb and Sill



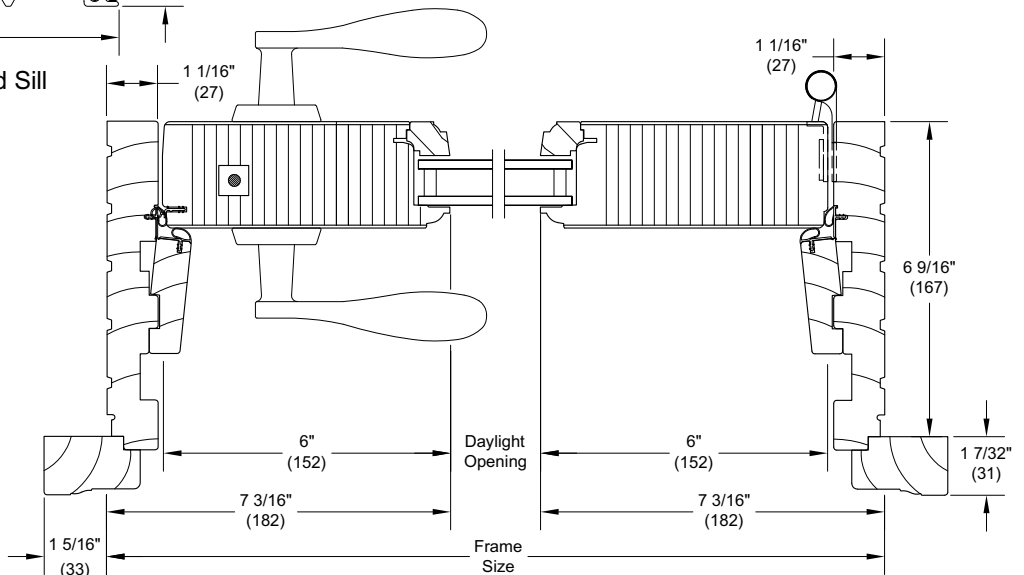
4 9/16" Head Jamb



XX L Meeting Stiles



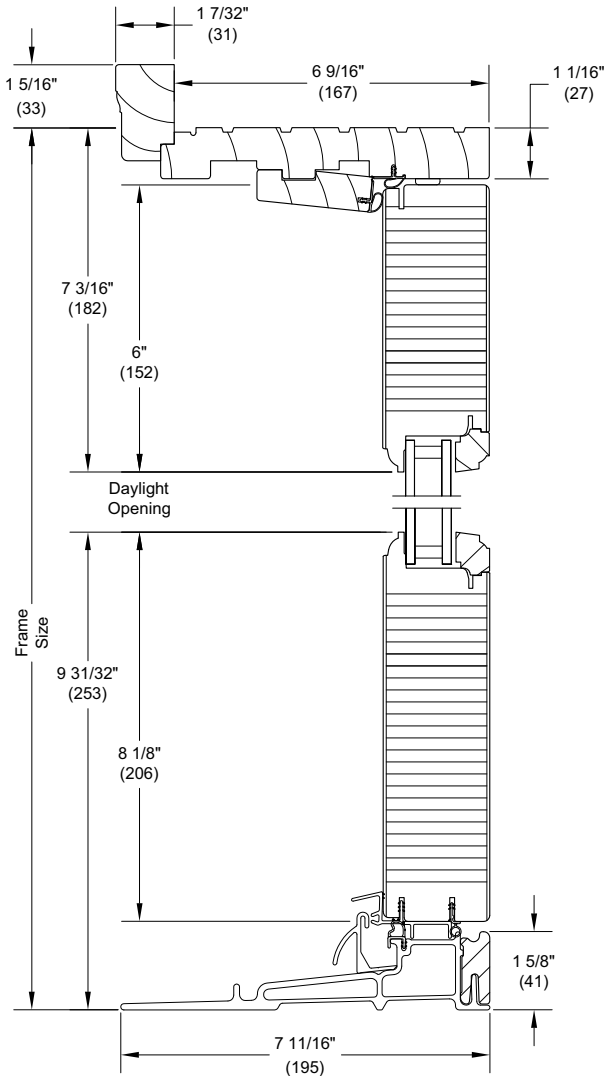
4 9/16" Jamb



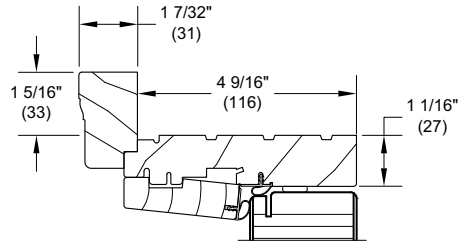
X R Jamb

Inswing Section Details: Stationary and Sidelite

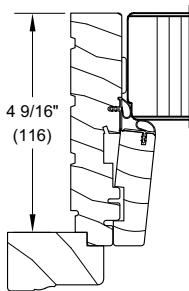
Scale: 3" = 1' 0"



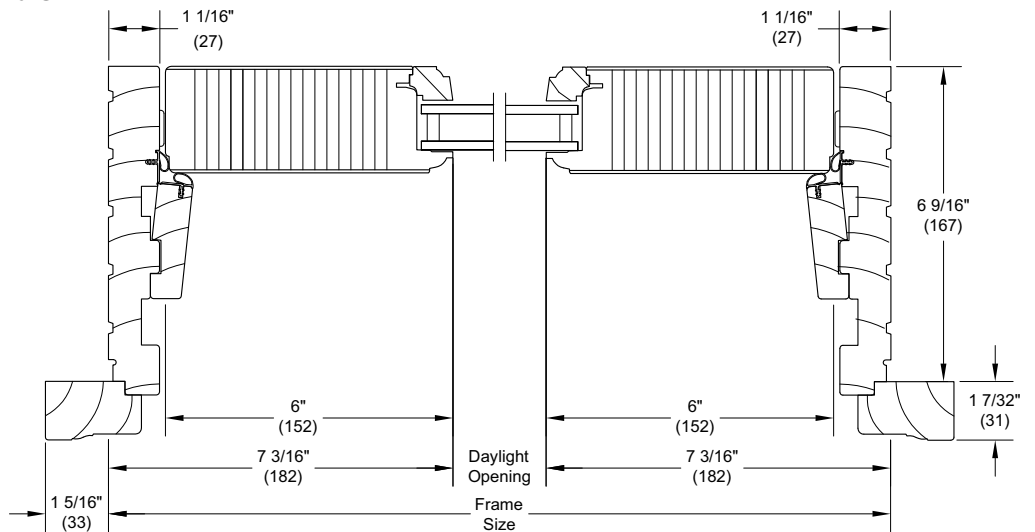
Head Jamb and Sill



4 9/16" Head Jamb

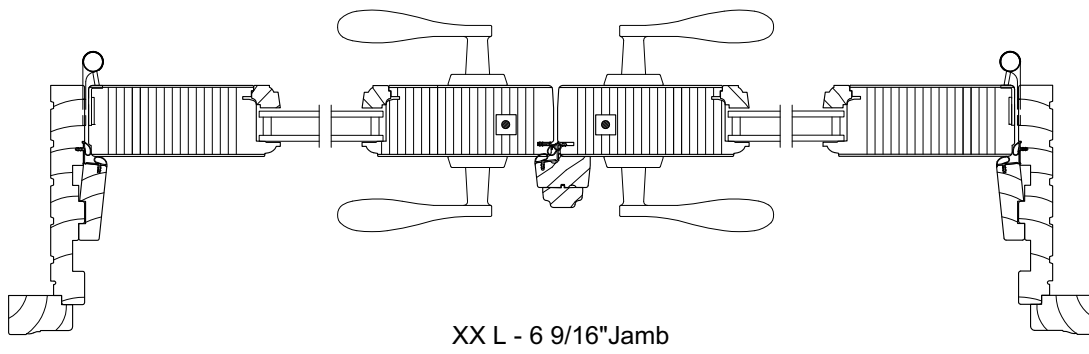
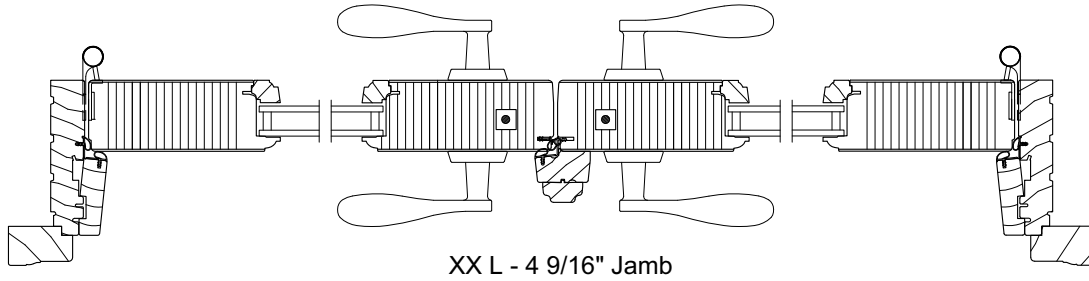


4 9/16" Jamb

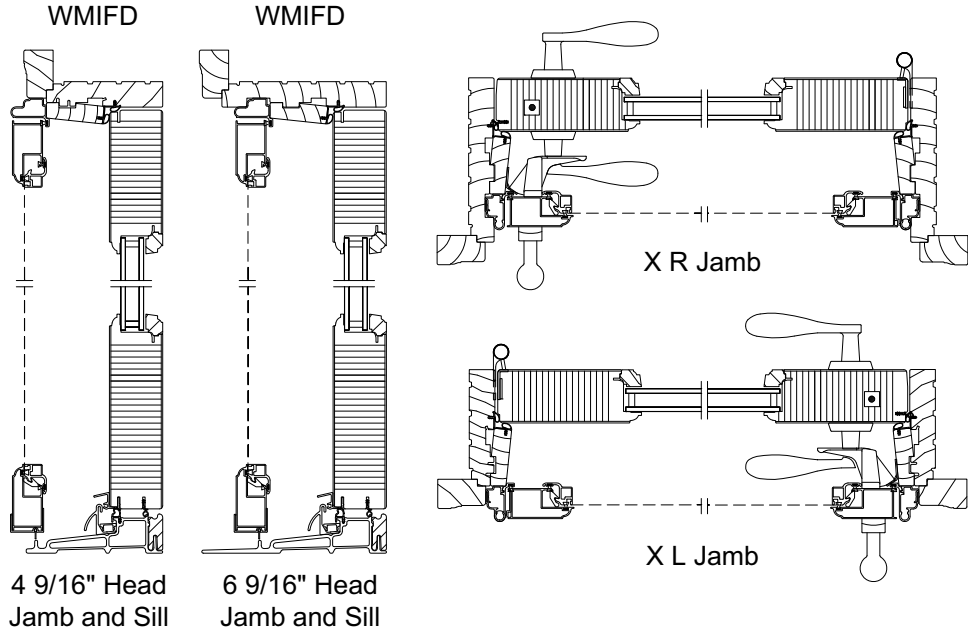


O - Jamb

Inswing Section Details: Panel Configurations

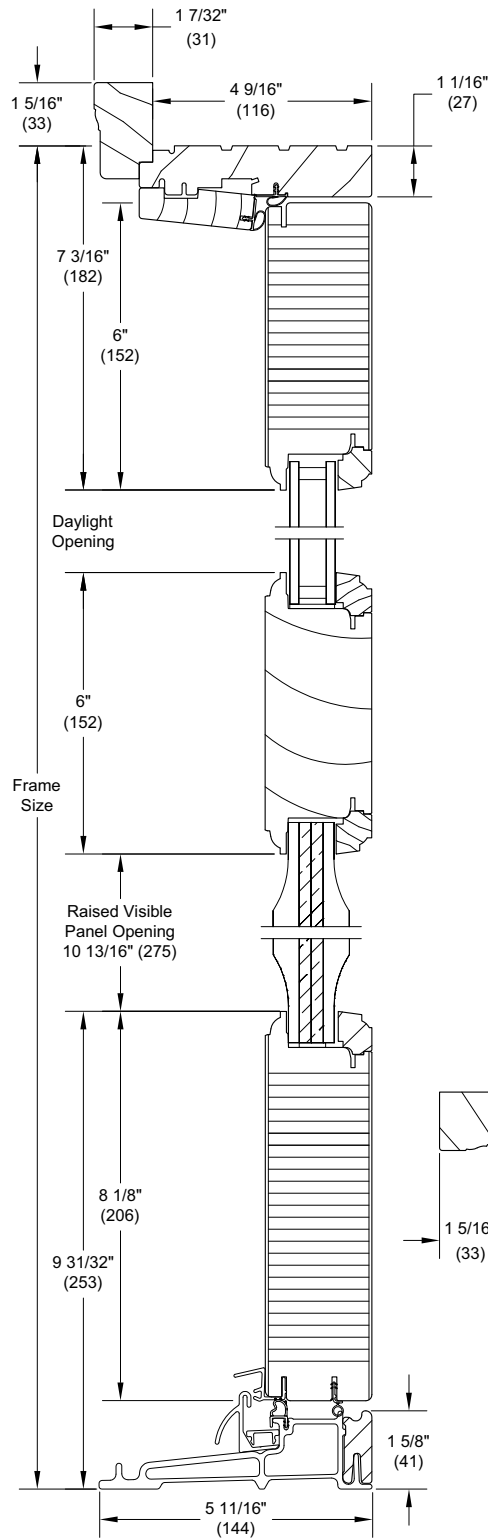


Inswing Section Details: Ultimate Swinging Screen

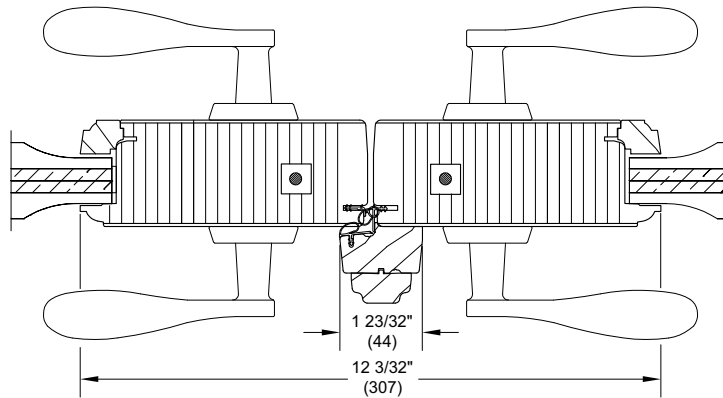


Inswing Section Details: Raised Panel Placement

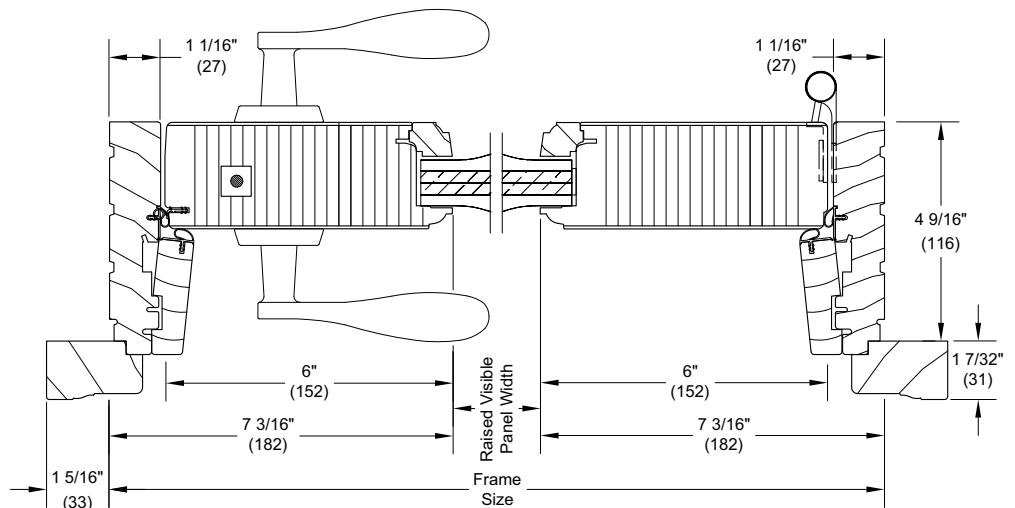
Scale: 3" = 1' 0"



Head Jamb and Sill



XX L Meeting Stiles

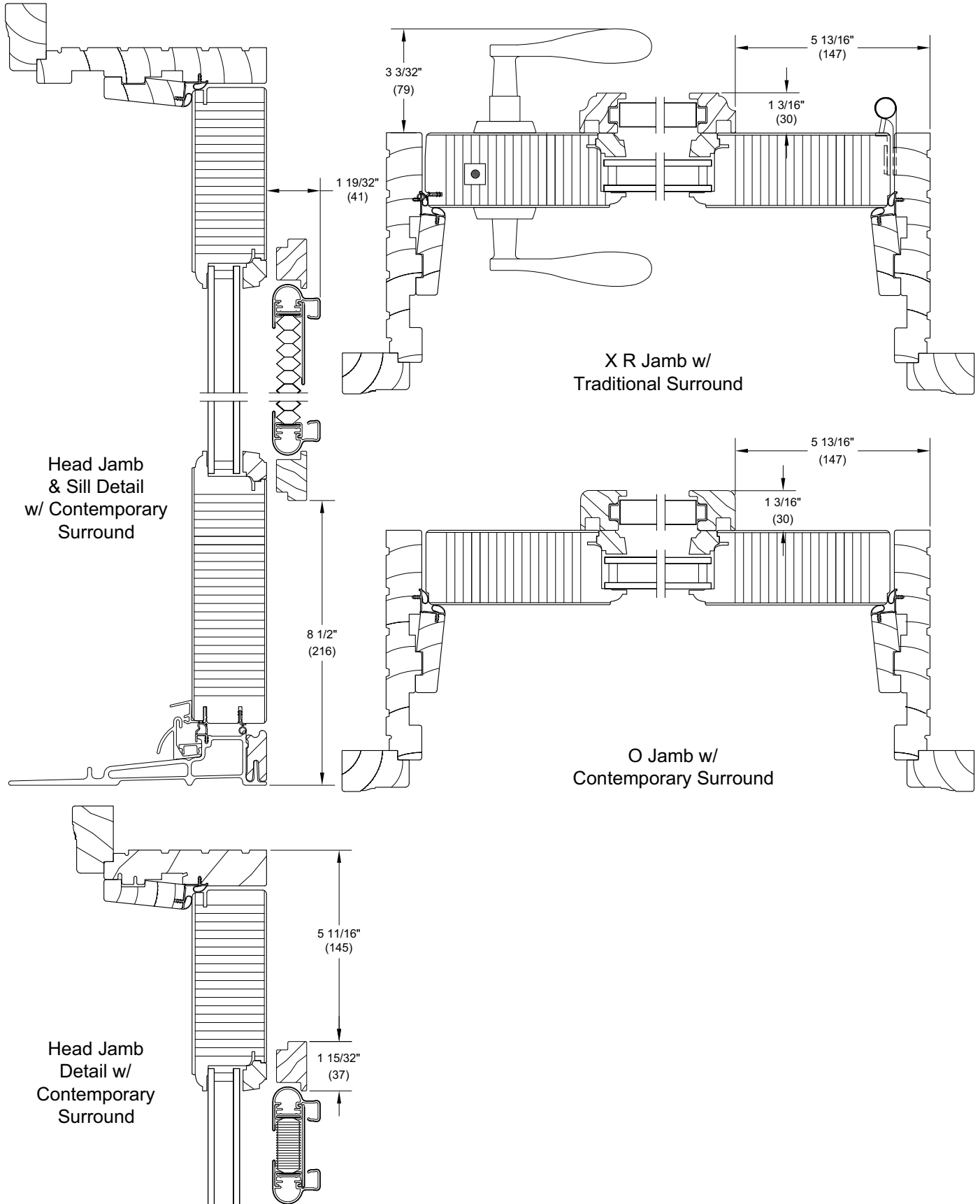


X R Jamb

NOTE: Ultimate Wood Inswing French Door 2 1/4" with raised panels are not available with CE mark.

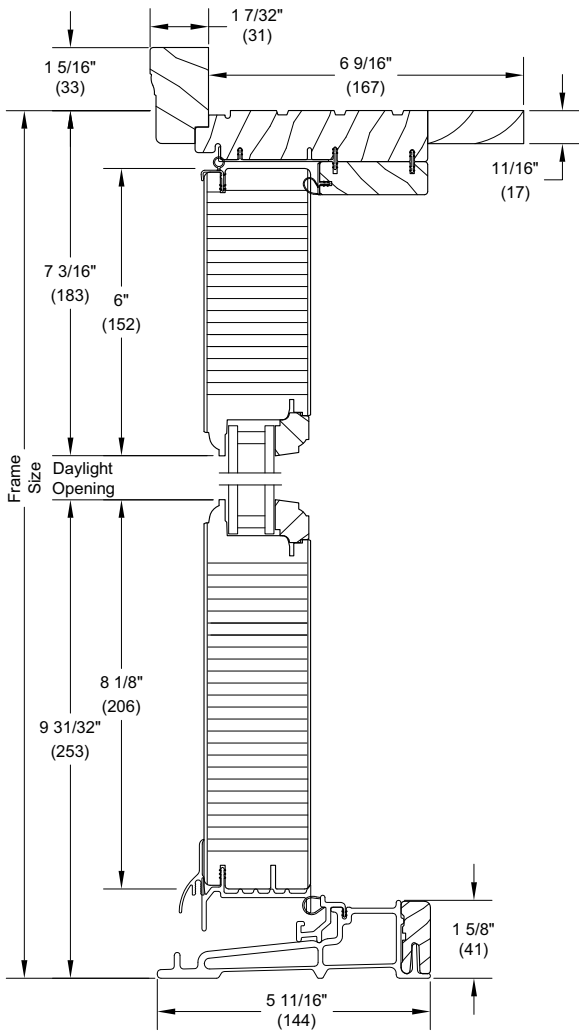
Inswing Section Details: Interior Shade

Scale: 3" = 1' 0"

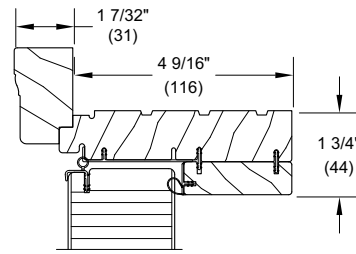


Outswing Section Details: Operating

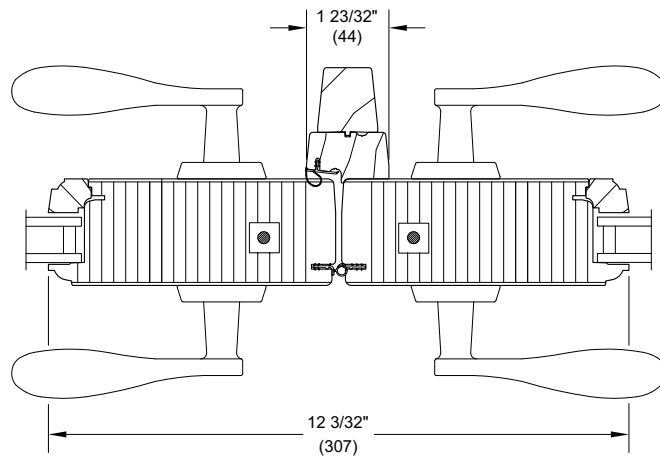
Scale: 3" = 1' 0"



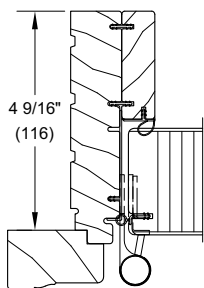
Head Jamb and Sill



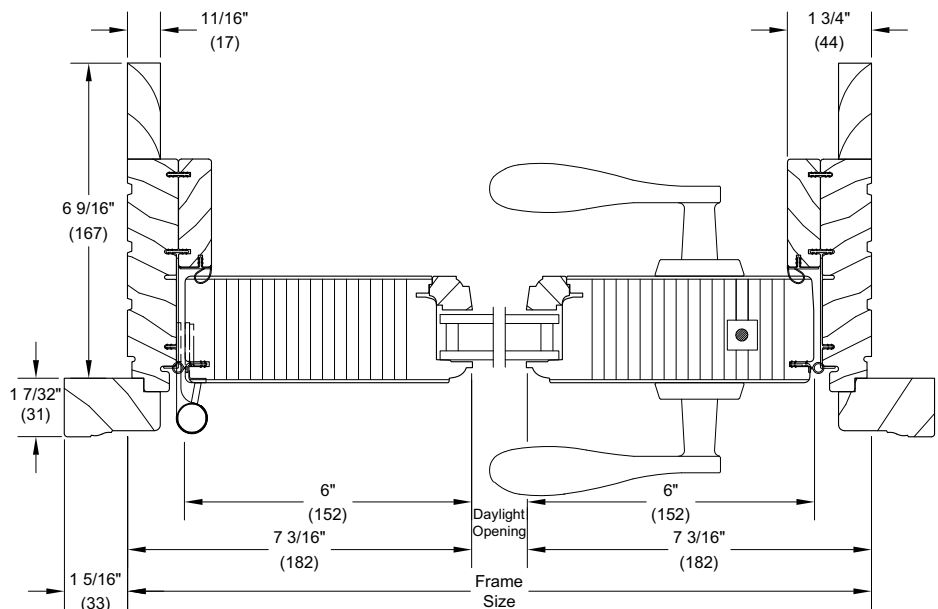
4 9/16" Head Jamb



XX R - Meeting Stiles



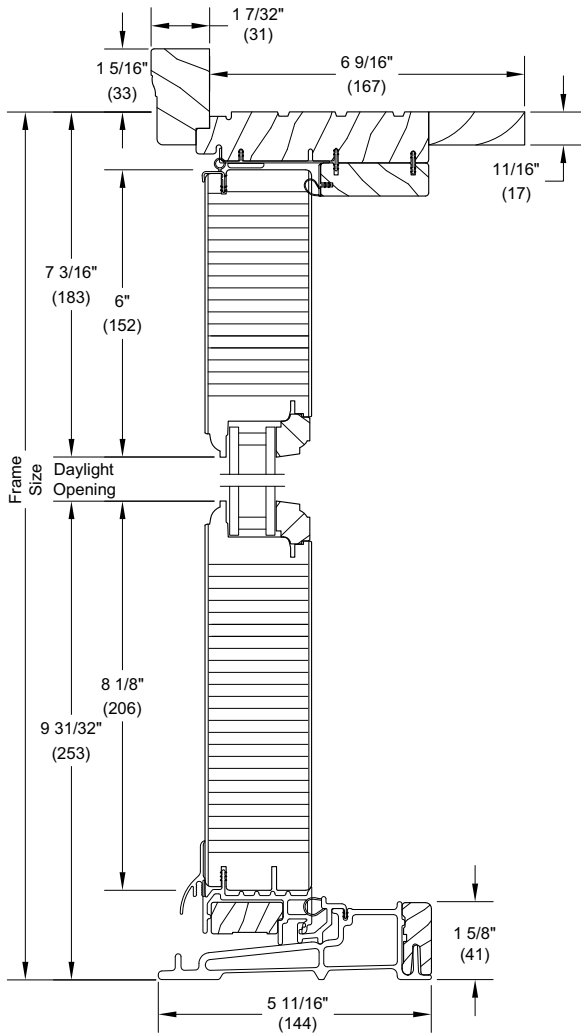
4 9/16" Jamb



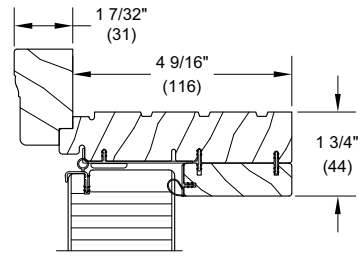
X R - Jamb

Outswing Section Details: Stationary and Sidelite

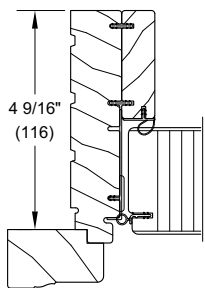
Scale: 3" = 1' 0"



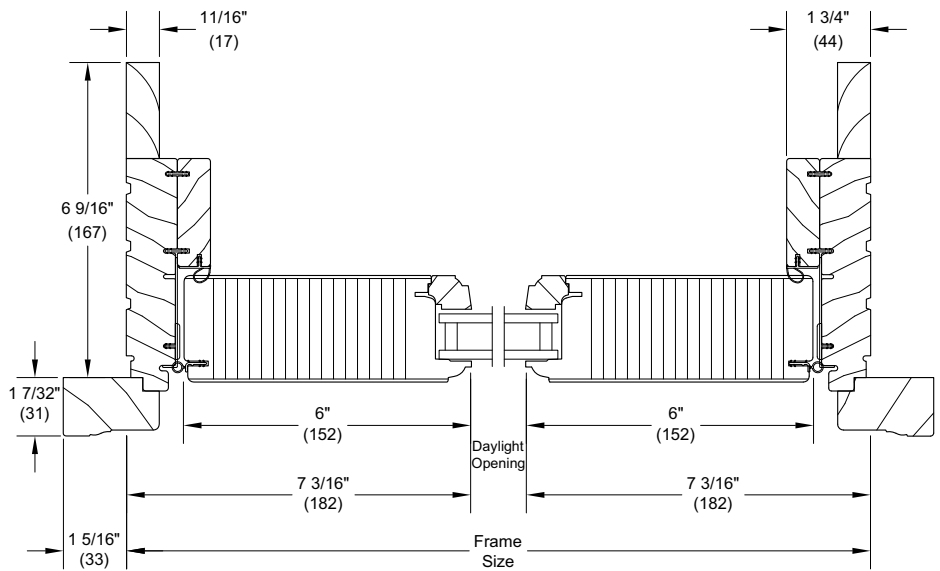
Head Jamb and Sill



4 9/16" Head Jamb

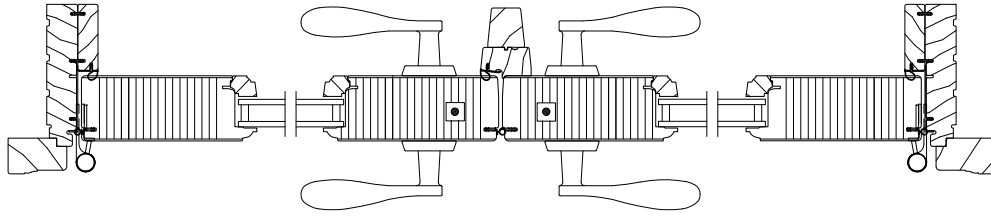


4 9/16" Jamb

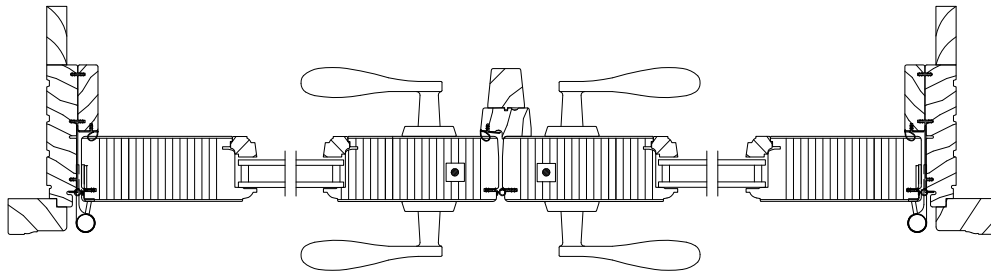


O - Jamb

Outswing Section Details: Panel Configurations



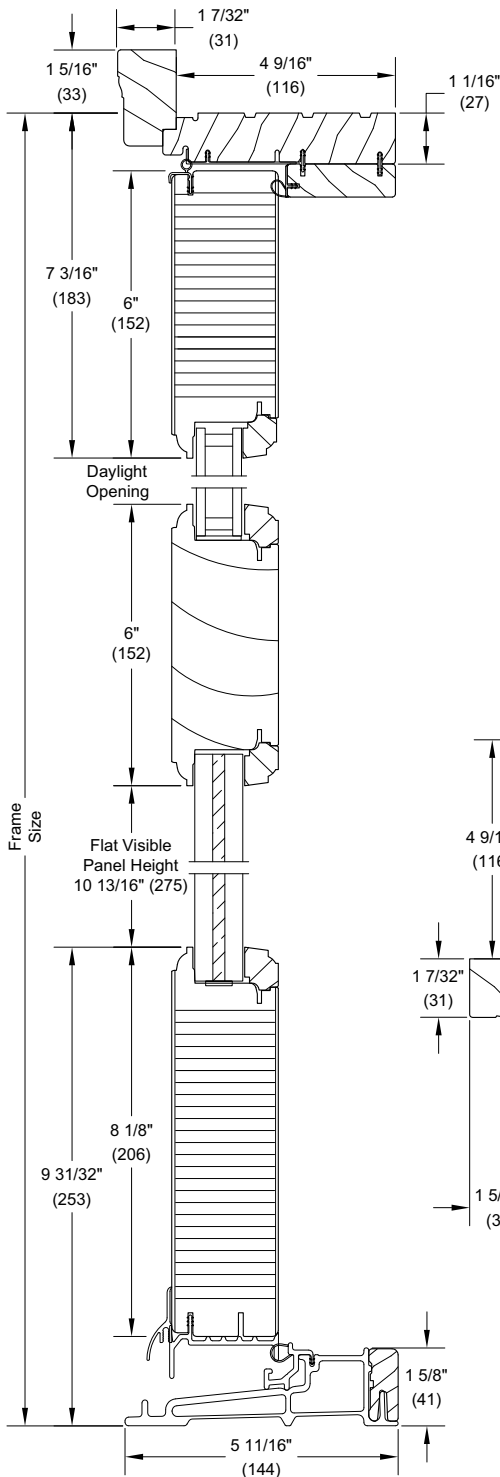
XX R - 4 9/16" Jamb



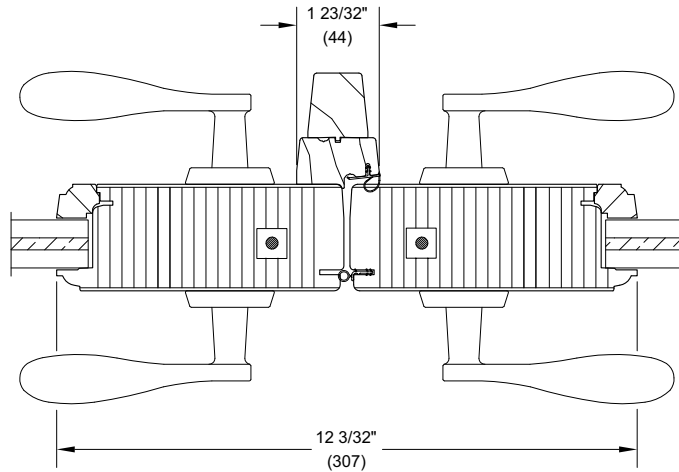
XX R - 6 9/16" Jamb

Outswing Section Details: Flat Panel Placement

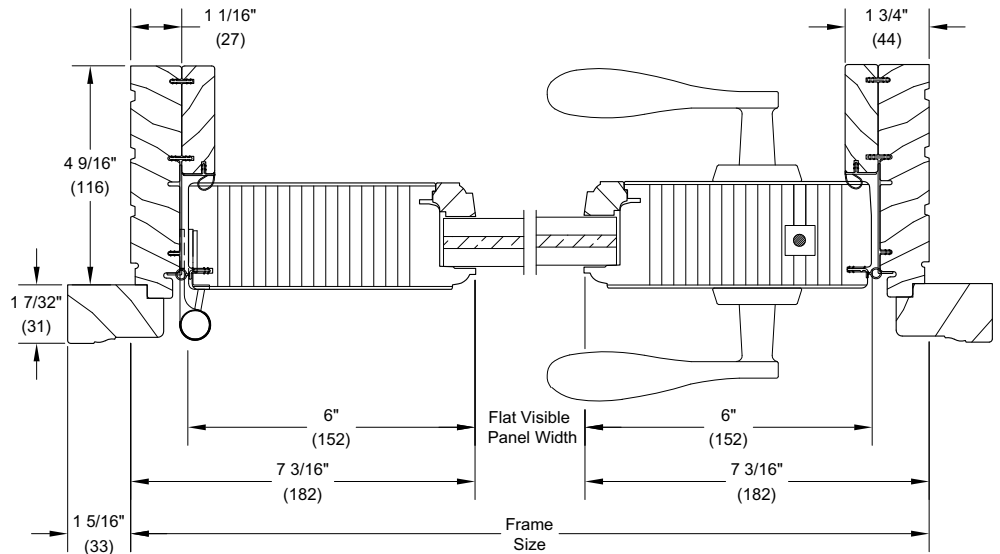
Scale: 3" = 1' 0"



Head Jamb and Sill



XX L - Meeting Stiles

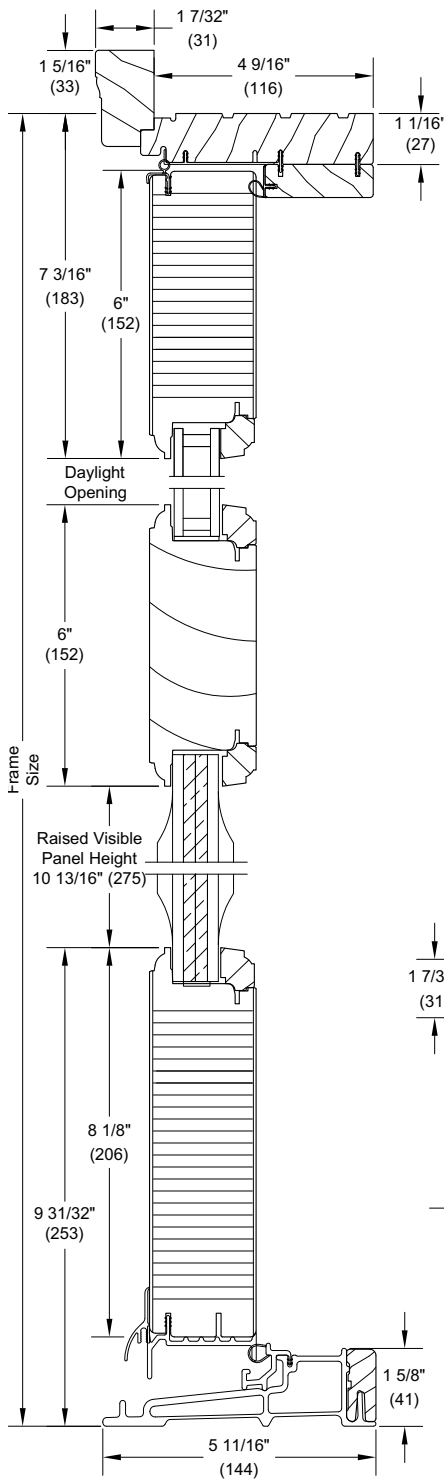


X R - Jamb

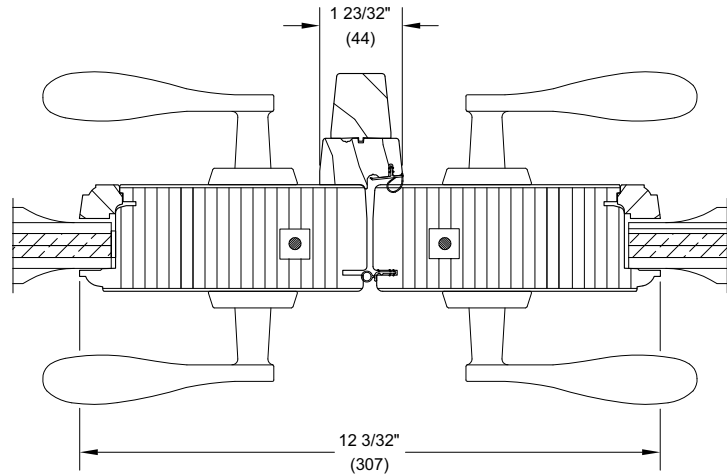
NOTE: Ultimate Wood Outswing French Door 2 1/4" with flat panels are not available with CE mark.

Outswing Section Details: Raised Panel Placement

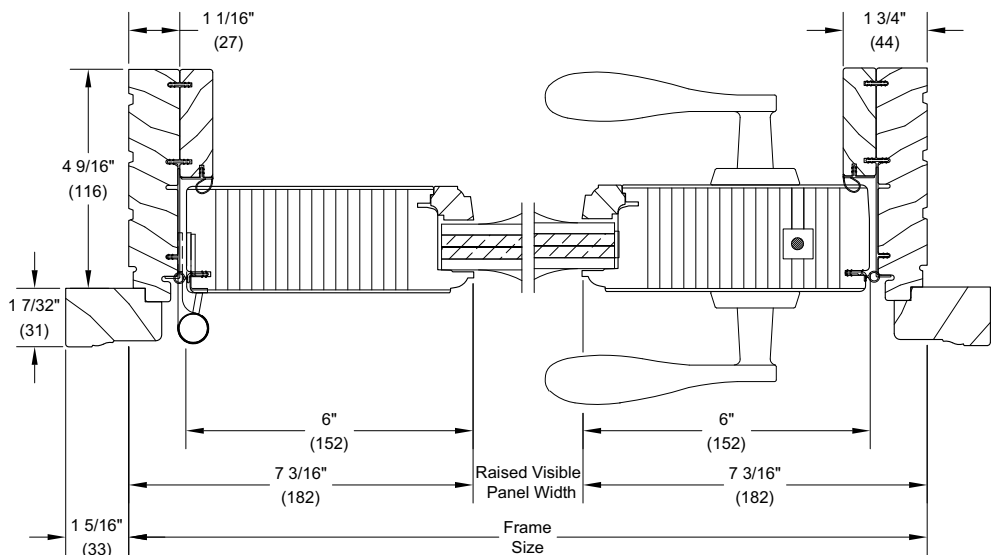
Scale: 3" = 1' 0"



Head Jamb and Sill



XX L - Meeting Stiles



X R - Jamb

NOTE: Ultimate Wood Outswing French Door 2 1/4" with raised panels are not available with CE mark.

Outswing Section Details: Interior Shade

Scale: 3" = 1' 0"

