

Ultimate Wood Direct Glaze Polygon and Round Top

Unit Features: Ultimate Wood Direct Glaze Polygon	1
Min/Max Guidelines and Certified Sizes: Standard Ultimate Wood Direct Glaze Polygon.....	3
Certified Sizes and Ratings: Standard Units and IZ3	5
Measurement Conversions: Ultimate Wood Direct Glaze Polygon	6
Slope To Angle and Angle to Pitch Conversion - Ultimate Wood Direct Glaze Polygon.....	7
Section Details: Ultimate Wood Direct Glaze Polygon	8
Section Details: Ultimate Wood Direct Glaze Polygon - IZ3.....	9
Section Details: Interior Shade Option	10
Section Details: Ultimate Wood Direct Glaze Polygon Mullion Options	11
Polygon Shape Reference	12
Unit Features: Ultimate Wood Direct Glaze Round Top.....	13
Min/Max Guidelines: Ultimate Wood Direct Glaze Round Tops (Standard and IZ3).....	14
Certified Sizes: Ultimate Wood Direct Glaze Round Top	15
Measurement Conversions: Ultimate Wood Direct Glaze Round Top	16
Standard Sizes: Ultimate Wood Casement - Full Circle and Ellipse Series	17
Standard Sizes: Ultimate Wood Casement - True Half, Elliptical and Quarter Circle	18
Standard Sizes: Ultimate Wood Casement - Eyebrow above Springline.....	19
Standard Sizes: Ultimate Wood Double Hung - True Half Circle and Elliptical Direct Glaze	21
Standard Sizes: Ultimate Wood Double Hung - Eyebrow Above Springline	22
Section Details: Ultimate Wood Direct Glaze Round Top	24
Section Details: Ultimate Wood Direct Glaze Round Top Mullion Options	25
Direct Glaze Round Top Shape Reference.....	27
Single Glaze Divided Lite Options.....	28
Standard Insulating Glass Divided Lite Options	29
Optional Interior Square Simulated Divided Lite	30

Unit Features: Ultimate Wood Direct Glaze Polygon

Ultimate Wood Direct Glaze Polygon: UWDG POLY

Frame

- Frame width: 4 9/16" (116)
- Frame thickness: 1 3/32" (28)
- Minimum frame angle 12°
- Subsill thickness: 15/16" (24)
- Optional 4/4 RT Frame thickness: 11/16"

Glass and Glazing:

- Glazing seal:
 - Glazed from the interior
 - Exterior of the glass is sealed to the frame with glazing sealant
 - Interior of the glass is sealed to the interior glazing bead with glazing tape
- Standard glass: insulating Low E2 Argon or air
 - Optional glazing available: Low E1 Argon or air, Low E3 Argon or air, Low E2/ERS Argon or air, Low E3/ERS Argon or air, clear, tints, tempered, obscure and decorative glass options
 - Optional tripane glazing available: Low E2/E1, E3/E1, E1/E1 air, Argon, Krypton-Argon, or Krypton fill
- Insulating glass will be altitude adjusted with capillary tubes for higher elevations, Argon gas is not included
- ADL glazing options not available with Argon.

CE Glass and Glazing:

- Glazing seal: silicone glazed
- Standard glass: Insulating Low E2 Argon or air
 - Optional glazing available: Low E1 Argon or air, Low E3 Argon or air, clear, laminated clear & tints, tempered, sandblasted
 - Optional tripane glazing available: Low E2/E1, E3/E1, E1/E1 air, Argon, Krypton-Argon, or Krypton fill
- Glass panes available in 3, 4, and 6 mm thicknesses
- Laminated panes available in 7.0 and 7.8 mm thicknesses
- Insulating glass will be altitude adjusted with capillary tubes for higher elevations, Argon gas is not included

Glazing for Impact Units:

- Glazing seal:
 - The glass is set from the interior against a bead of silicone
 - The perimeter of the glass is backfilled with silicone
 - The interior wood bead is secured to the frame with 1 3/8" (35) brad nails nominal 5" on center
- Impact glass setting blocks are used to reduce the chance of glass sliding.

Interior Shades:

- Cellular shade is attached to the window with a removable surround system that houses the cellular shade system
 - Shade cartridge is removable and replaceable
 - One shade per sash opening
 - Shade control: top down, bottom up
- Wood surround frame
 - Species: Pine, Mahogany, or Vertical Grain Douglas Fir
 - Roll formed screen: Satin Taupe (standard), White or Bronze (optional)
- Cellular shade
 - Single non-fire rated hexagonal honeycomb (cellular) 3/4" (19)
 - Semi-opaque fabric (light filtering)
 - Colors: Driftwood, Marigold, Almond, Rose, Denim, Biscuit, Champagne, Moss, Cinnamon, Silver, White, Stone, Tan, Ivory, or Eggshell
 - Opaque fabric (blackout)
 - Colors: White, Stone, Tan, Ivory, or Eggshell
- Order options:
 - Ship separate: shade system packages separate and ships same time as the unit

Unit Features: Ultimate Wood Direct Glaze Polygon

- Ship later: shade system ships at a later date chosen by the customer
 - Shade option must be chosen at the time of unit order
 - Fabric opacity and color can be chosen at later date
- Retro fit: ordered as a complete shade system through configured parts

Mulling Options:

- Factory mulling is available
- Maximum mulled assembly: Masonry Opening 144" x 103"
- Mulling options: direct mull, 3/8" mull reinforcement, 1" LVL structural mull, space mull, stud pocket

CE Mulling Options:

- Mulled assemblies up to 64" (1626) x 71 1/8" (1807) as a 1H x multi-width
- Mulled assemblies with 1" (25) LVL or 3/8" (10) aluminum mull reinforcement up to 122" (3099) x 104 1/4" (2648) as a multi-wide or multi-high assembly

Min/Max Guidelines and Certified Sizes: Standard Ultimate Wood Direct Glaze Polygon

Minimum Guidelines - Direct Glaze Polygon							
Unit Type		Frame Size				Minimum Short leg	
		Min Width		Min Height			
		in	mm	in	mm	in	mm
Single Glaze	P3	23	(584)	23 1/2	(597)	6	(152)
	P4	15	(381)	15 1/2	(394)	6	(152)
	P5	15	(381)	15 1/2	(394)	6	(152)
	P6	15	(381)	15 1/2	(394)	6	(152)
	P8	15	(381)	15 1/2	(394)	6	(152)
Insulating Glass	P3	23	(584)	23 1/2	(597)	6	(152)
	P4	15	(381)	15 1/2	(394)	6	(152)
	P5	15	(381)	15 1/2	(394)	6	(152)
	P6	15	(381)	15 1/2	(394)	6	(152)
	P8	15	(381)	15 1/2	(394)	6	(152)

Maximum Guidelines - Direct Glaze Polygon									
Unit Type		Non-Certified Frame Size				Certified Frame Size			
		Max Width		Max Height		Max Width		Max Height	
		in	mm	in	mm	in	mm	in	mm
Single Glaze	All Shapes	145 9/16	(1392)	54 13/16	(1392)	84	(2134)	87	(2210)
		90 1/2	(2210)	87	(2210)	97 15/16	(2488)	74	(1880)
		86 1/16	(2323)	91 7/16	(2323)	87	(2210)	84	(2134)
		53 7/8	(3721)	146 1/2	(3721)	74	(1880)	97 15/16	(2488)
Insulating Glass	All Shapes	145 9/16	(1648)	64 7/8	(1648)	84	(2134)	97 15/16	(2488)
		107 3/4	(2210)	87	(2210)	97 15/16	(2488)	84	(2134)
		86 1/16	(2761)	108 11/16	(2761)				
		63 15/16	(3721)	146 1/2	(3721)				
CE Product	All Shapes					84	(2134)	96	(2438)
						96	(2438)	84	(2134)

NOTE: Single glaze is not available with CE mark

Minimum and Maximum - Direct Glaze Polygon Interior Shade Option								
Unit Type	Minimum Frame Size				Maximum Frame Size			
	Width		Height		Width		Height	
	in	mm	in	mm	in	mm	in	mm
Rectangular Direct Glaze	12	(305)	11 1/8	(283)	72	(1829)	113 3/8	(2880)

Minimum and Maximum Guidelines: Wood Direct Glaze Polygon IZ3

Minimum Guidelines - Direct Glaze Polygon							
Unit Type		Frame Size				Minimum Short leg	
		Min Width		Min Height			
		in	mm	in	mm	in	mm
IZ3 Product	P3	23	(584)	23 1/2	(597)	6	(152)
	P4	15	(381)	15 1/2	(394)	6	(152)
	P5	15	(381)	15 1/2	(394)	6	(152)
	P6	15	(381)	15 1/2	(394)	6	(152)
	P8	15	(381)	15 1/2	(394)	6	(152)

Maximum Guidelines - Direct Glaze Polygon					
Unit Type		Certified Frame Size			
		Max Width		Max Height	
		in	mm	in	mm
IZ3 Product	All Shapes	73	(1854)	73 15/16	(1878)

NOTE: CE mark is not available on IZ3 units

Certified Sizes and Ratings: Standard Units and IZ3

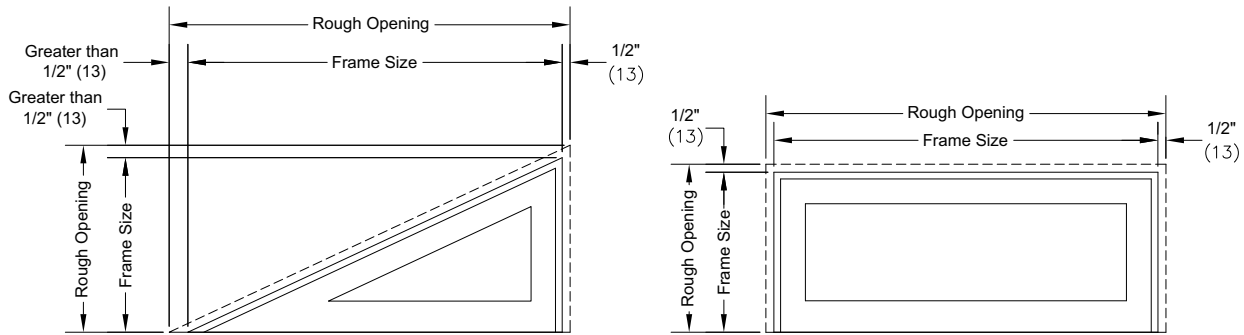
Product	Air Tested to psf	Water Tested to psf	Structural Overload Tested to psf	Certification Rating	Max Width In		Max Width mm	
					in	mm	in	mm
Ultimate Wood Direct Glaze Polygon SG and IG	1.57	8.25	+75/-90	CW-PG50	84	(2134)	97 15/16	(2488)
Ultimate Wood Direct Glaze Polygon SG and IG	1.57	8.25	+75/-90	CW-PG50	97 15/16	(2488)	84	(2134)
Product	Air Tested to psf	Water Tested to psf	Structural Overload Tested to psf	Certification Rating	Max Width In		Max Height In	
					in	mm	in	mm
Ultimate Wood Direct Glaze Polygon IZ3	1.57	8.25	+82.5/-97.5	CW-PG55	73	(1854)	73 15/16	(1878)

NOTE: For CE ratings, please refer to CE Performance Section.

Measurement Conversions: Ultimate Wood Direct Glaze Polygon

Direct Glaze - IG & SG					
Unit Measurements		Width		Height	
From	To				
Rough Opening		in	mm	in	mm
OM Frame	Rough Opening	+ 1	(25)	+ 1/2	(13)
Masonry Opening	Rough Opening	-2 1/2	(64)	-1 1/4	(32)
Frame		in	mm	in	mm
Rough Opening	Daylight Opening	-4 15/16	(125)	-5 3/8	(137)
Glass		in	mm	in	mm
Daylight Opening	Glass	+ 1 3/8	(35)	+ 1 3/8	(35)
Energy Panel - available on SG only		in	mm	in	mm
Rough Opening	OM of Energy Panel	-3 5/16	(84)	-3 3/4	(95)
Interior Shade		in	mm	in	mm
OM of Frame (manufactured 5/4 frame)	Shade Surround	-2 9/32	(58)	-2 9/32	(58)
OM of Frame (manufactured 4/4 frame)	Shade Surround	-1 15/32	(37)	-1 15/32	(37)

*NOTE: Minimum angle on any shape wood unit is 12 degrees.
Conversions do not include subsill.*



*NOTE: 1/2" (13) Rough Opening tolerance is maintained perpendicular to the frame of polygon units.
1/4" (6) Masonry Opening tolerance is maintained perpendicular to the frame or casing of polygon units.
Measurement tolerances vary due to polygon angles. Specify either Frame Size or Rough Opening measurement, Marvin will calculate the appropriate tolerances.
Elevations above are shown without casing.*

Slope To Angle and Angle to Pitch Conversion - Ultimate Wood Direct Glaze Polygon

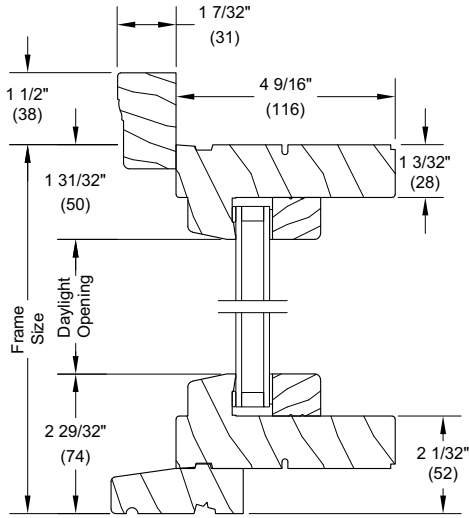
Slope to Angle / Degree Conversions					
Slope	Angle	Degree / Minutes	Slope	Angle	Degree / Minutes
1/12	4.76	4 degree 46'	13/12	47.29	47 degree 14'
2/12	9.46	9 degree 28'	14/12	49.40	49 degree 24'
3/12	14.04	14 degree 2'	15/12	51.34	51 degree 20'
4/12	18.43	18 degree 26'	16/12	53.13	53 degree 8'
5/12	22.62	22 degree 37'	17/12	54.78	54 degree 47'
6/12	26.57	26 degree 34'	18/12	56.31	56 degree 19'
7/12	30.26	30 degree 15'	19/12	57.72	57 degree 43'
8/12	33.69	33 degree 41'	20/12	59.04	59 degree 2'
9/12	36.87	36 degree 52'	21/12	60.26	60 degree 15'
10/12	39.81	39 degree 48'	22/12	61.39	61 degree 23'
11/12	42.51	42 degree 31'	23/12	62.45	62 degree 27'
12/12	45.00	45 degree 0'	24/12	63.43	63 degree 26'

Angle to Pitch conversions							
Angle	Pitch	Angle	Pitch	Angle	Pitch	Angle	Pitch
1	0.21/12	26	5.85/12	51	14.82/12	76	48.13/12
2	0.42/12	27	6.11/12	52	15.36/12	77	51.98/12
3	0.63/12	28	6.38/12	53	15.92/12	78	56.46/12
4	0.84/12	29	6.65/12	54	16.52/12	79	61.73/12
5	1.05/12	30	6.93/12	55	17.14/12	80	68.06/12
6	1.26/12	31	7.21/12	56	17.79/12	81	75.77/12
7	1.47/12	32	7.50/12	57	18.48/12	82	85.38/12
8	1.69/12	33	7.79/12	58	19.20/12	83	97.73/12
9	1.90/12	34	8.09/12	59	19.97/12	84	114.17/12
10	2.12/12	35	8.40/12	60	20.78/12	85	137.16/12
11	2.33/12	36	8.72/12	61	21.65/12	86	171.61/12
12	2.55/12	37	9.04/12	62	22.57/12	87	228.97/12
13	2.77/12	38	9.38/12	63	23.55/12	88	343.64/12
14	2.99/12	39	9.72/12	64	24.60/12	89	687.48/12
15	3.22/12	40	10.07/12	65	25.73/12		
16	3.44/12	41	10.43/12	66	26.95/12		
17	3.67/12	42	10.80/12	67	28.27/12		
18	3.90/12	43	11.19/12	68	29.70/12		
19	4.13/12	44	11.59/12	69	31.26/12		
20	4.37/12	45	12.00/12	70	32.97/12		
21	4.61/12	46	12.43/12	71	34.85/12		
22	4.85/12	47	12.87/12	72	36.93/12		
23	5.09/12	48	13.33/12	73	39.25/12		
24	5.34/12	49	13.80/12	74	41.85/12		
25	5.60/12	50	14.30/12	75	44.78/12		

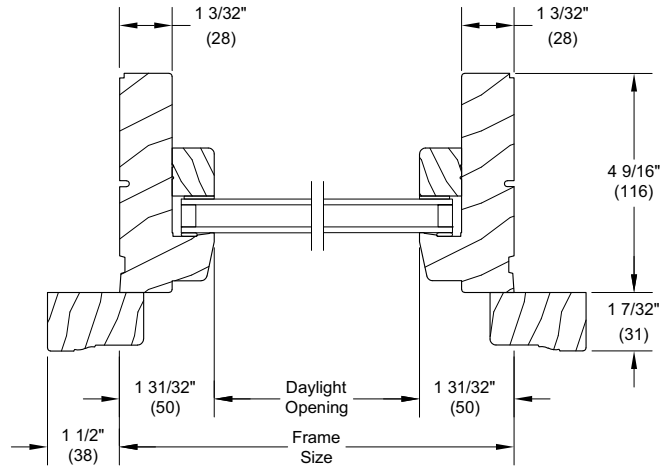
Section Details: Ultimate Wood Direct Glaze Polygon

Scale: 3' = 1' 0"

Insulating Glass

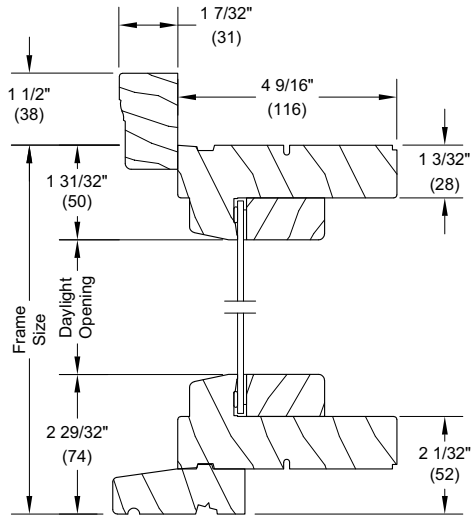


Head Jamb and Sill

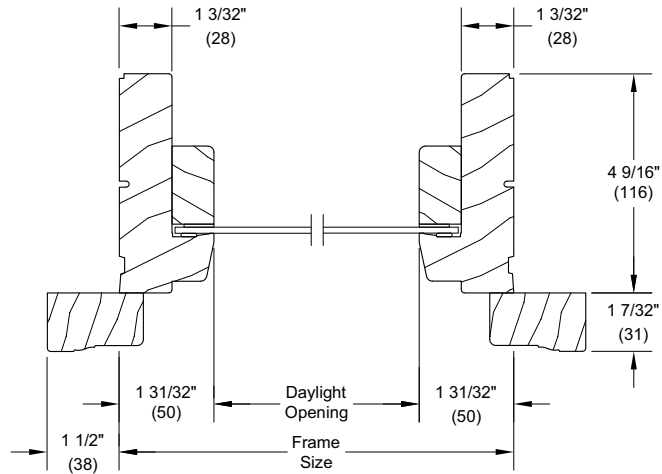


Jamb

Single Glaze



Head Jamb and Sill

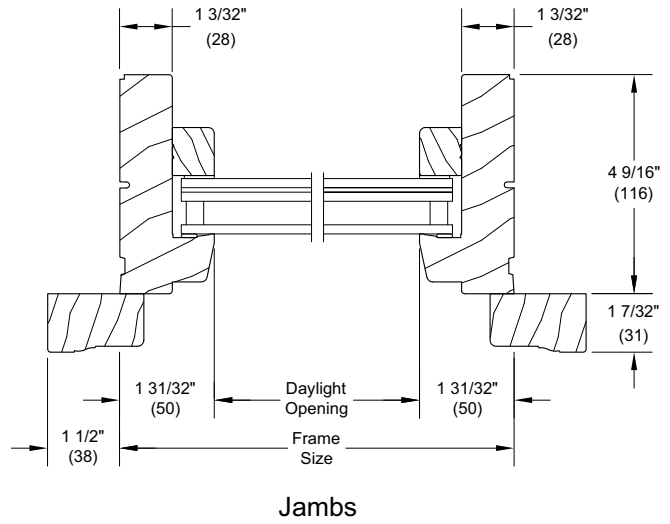
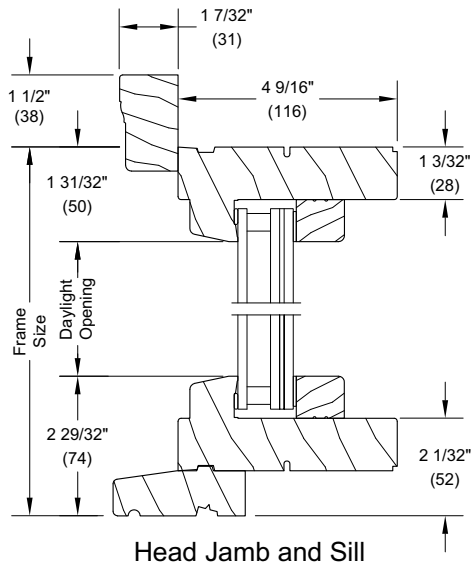


Jamb

NOTE: Single glaze is not available with CE mark

Section Details: Ultimate Wood Direct Glaze Polygon - IZ3

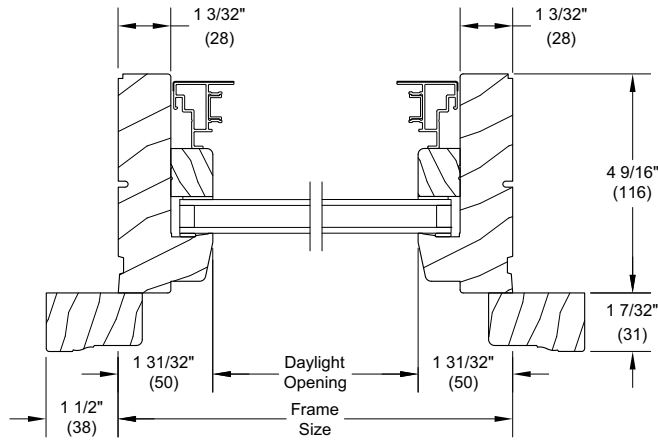
Scale: 3' = 1' 0"



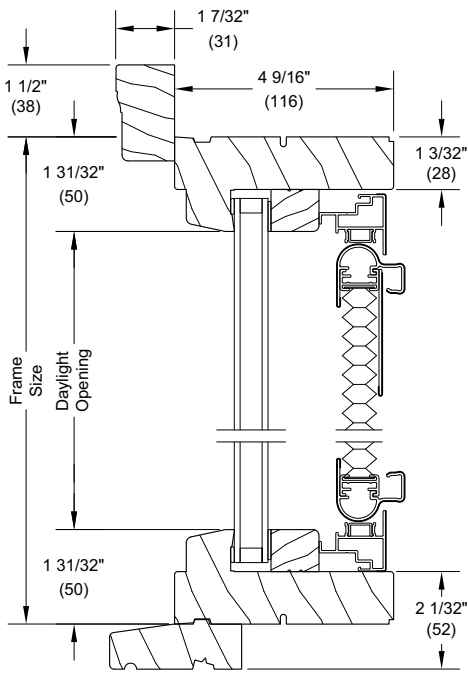
NOTE: CE mark is not available on IZ3 units

Section Details: Interior Shade Option

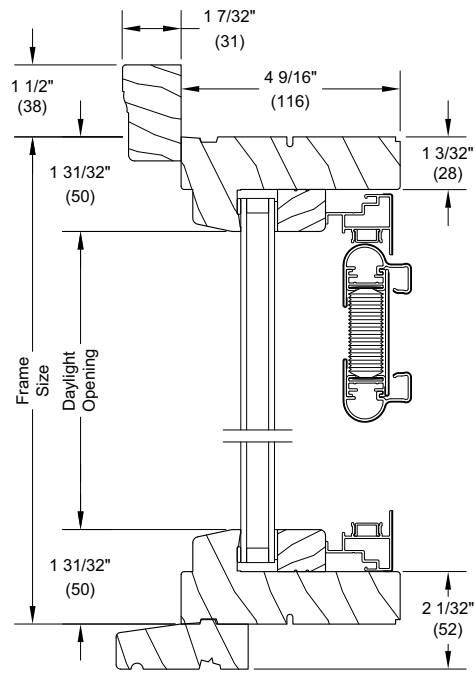
Scale: 3' = 1' 0"



Jambs



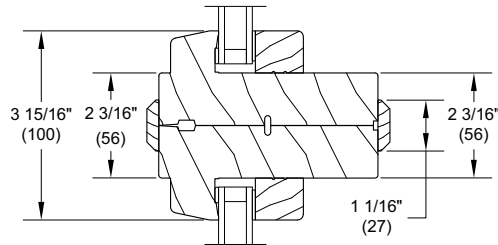
Head Jamb and Sill
Shades Closed



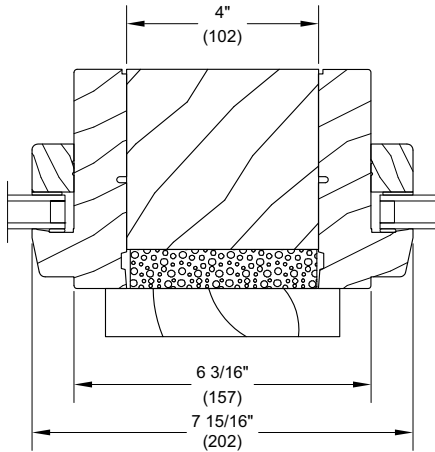
Head Jamb and Sill
Shades Open

Section Details: Ultimate Wood Direct Glaze Polygon Mullion Options

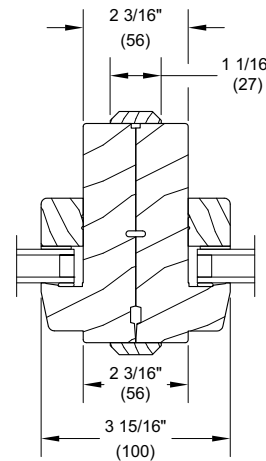
Scale: 3' = 1' 0"



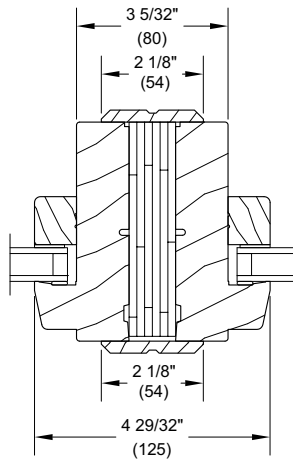
Horizontal Mullion



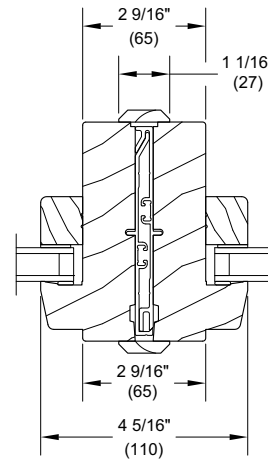
4\"/>



Vertical Mullion

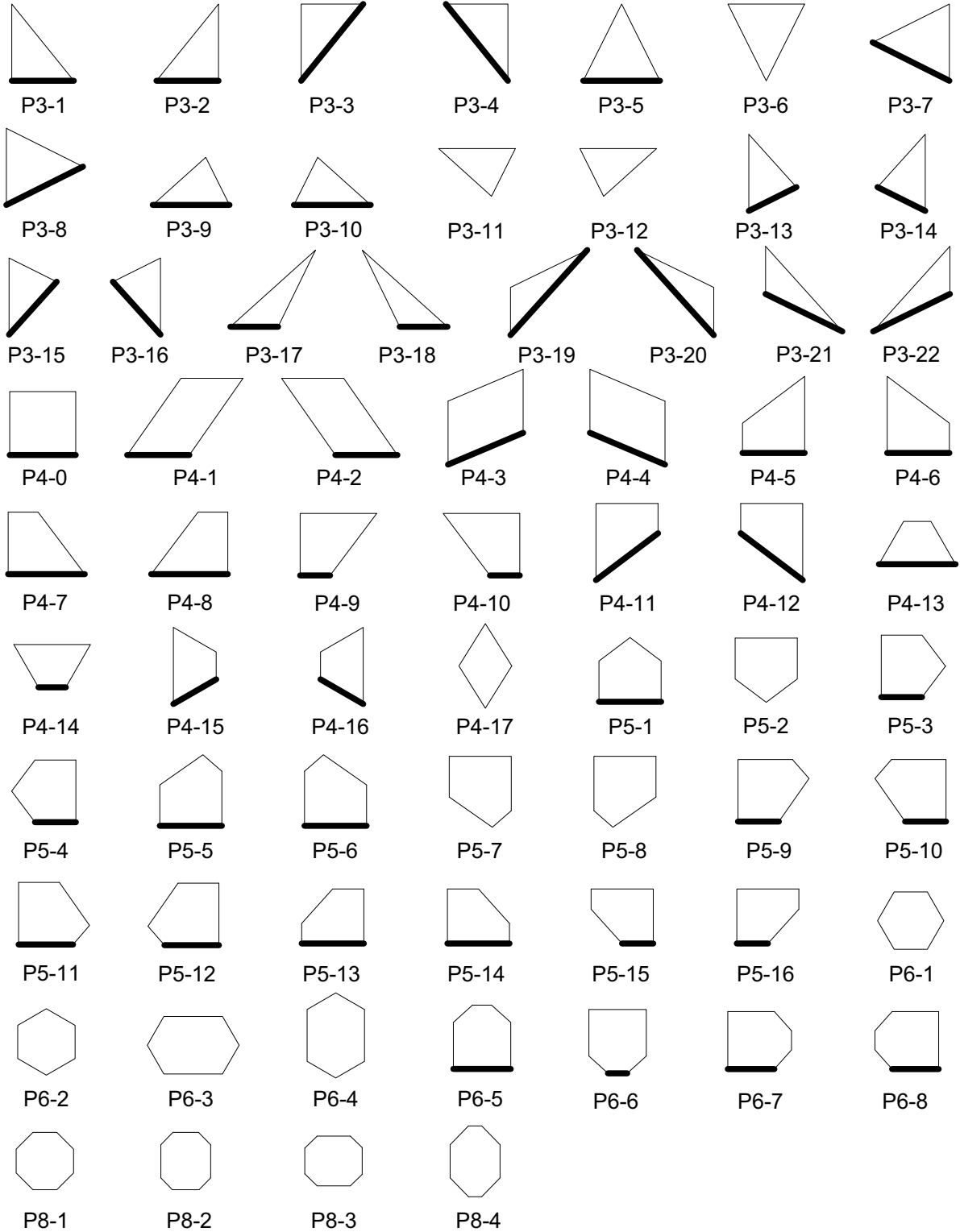


1\"/>



3/8\"/>

Polygon Shape Reference



*NOTE: Please contact your Marvin representative for availability and more information.
Dark line indicates subsill placement.*

Unit Features: Ultimate Wood Direct Glaze Round Top

Ultimate Wood Direct Glaze Round Top: UWDGRT

Frame:

- Frame thickness: 1 1/16" (17).
- Frame width: 4 9/16" (116).
- Subsill thickness: 15/16" (24).
- Constructed of laminated wood with a clear, bare veneer to the interior of the radius portion, and non finger-jointed, finger-joint, and edge-glue wood on the straight components.

Glass and Glazing:

- Glazing seal:
 - Glazed from the interior
 - Exterior of the glass is sealed to the frame with glazing sealant
 - The interior of the glass is sealed to the interior glazing bead with glazing tape
- Standard glass: Insulating Low E2 Argon or air
 - Optional glazing available: Low E1 Argon or air, Low E3 Argon or air, clear, tints, tempered, obscure and decorative glass options
 - Optional tripane glazing available: Low E2/E1, E3/E1, E1/E1 air, Argon, Krypton-Argon, or Krypton fill
- Insulating glass will be altitude adjusted with capillary tubes for higher elevations. Argon gas is not available for elevations that require capillary tubes.
- ADL glazing options not available with Argon

CE Glass and Glazing:

- Glazing seal: silicone glazed
- Standard glass: Insulating Low E2 Argon or air
 - Optional glazing available: Low E1 Argon or air, Low E3 Argon or air, clear, laminated clear & tints, tempered, sandblasted
 - Optional tripane glazing available: Low E2/E1, E3/E1, E1/E1 air, Argon, Krypton-Argon, or Krypton fill
- Glass panes available in 3, 4, and 6 mm thicknesses
- Laminated panes available in 7.0 and 7.8 mm thicknesses
- Insulating glass will be altitude adjusted with capillary tubes for higher elevations
- Argon gas is not available for elevations that require capillary tubes

Glazing for Impact Units:

- Glazing seal:
 - Glazed from the interior against a bead of silicone
 - The perimeter of the glass is backfilled with silicone
 - The interior wood bead is secured to the frame with 1 3/8" (35) brad nails nominal 5" on center
 - Impact glass setting blocks are used to reduce the chance of glass sliding

Mulling Options:

- Factory mulling is available
- Maximum mull assembly: Masonry Opening 144" x 103"
- Mulling options: direct mull, 3/8" mull reinforcement, 1" LVL structural mull, space mull, stud pocket

CE Mulling Options:

- Mull assemblies up to 64" (1626) x 71 1/8" (1807) as a 1H x multi-width
- Mull assemblies with 1" (25) LVL or 3/8" (10) aluminum mull reinforcement up to 122" (3099) x 104 1/4" (2648) as a multi-wide or multi-high assembly

Min/Max Guidelines: Ultimate Wood Direct Glaze Round Tops (Standard and IZ3)

Minimum Guidelines - Direct Glaze Round Tops				
Unit Type	Frame Size			
	Min Width		Min Height	
	in	mm	in	mm
True Half RT1	17	(432)	8 1/2	(216)
Eyebrow above Springline RT6	9	(229)	9 1/2	(241)
Quarter Round RT7 or RT8	8 1/2	(216)	8 1/2	(216)
Full Circle RT27	21 1/2	(546)	21 1/2	(546)
Full Ellipse RT28	23	(584)	35 1/2	(902)

Maximum Guidelines - Direct Glaze Round Tops									
Unit Type		Non-Certified Frame Size				Certified Frame Size			
		Max Width		Max Height		Max Width		Max Height	
		in	mm	in	mm	in	mm	in	mm
Single Glaze	All Shapes	144 3/4	(3677)	54	(1372)	84	(2134)	87	(2210)
		89 11/16	(2278)	86 3/16	(2189)	74	(1880)	97 15/16	(2488)
		85 1/4	(2165)	90 5/8	(2302)	87	(2210)	84	(2134)
		53 1/16	(1348)	145 11/16	(3700)	97 15/16	(2488)	74	(1880)
Insulating Glass	All Shapes	144 3/4	(3677)	64 1/16	(1627)	84	(2134)	97 15/16	(2488)
		106 15/16	(2716)	86 3/16	(2189)				
		85 1/4	(2165)	107 7/8	(2740)				
		63 1/8	(1603)	145 11/16	(3700)	97 15/16	(2488)	84	(2134)
CE Product	All Shapes					84	(2134)	96	(2438)
						96	(2438)	84	(2134)

NOTE: Single glaze is not available with CE mark

Maximum Guidelines - Ultimate Wood Direct Glaze Round Tops					
Unit Type		Certified Frame Size			
		Max Width		Max Height	
		in	mm	in	mm
IZ3 Product	All Shapes	73	(1854)	73 15/16	(1878)

NOTE: IZ3 products are not available with CE mark

Certified Sizes: Ultimate Wood Direct Glaze Round Top

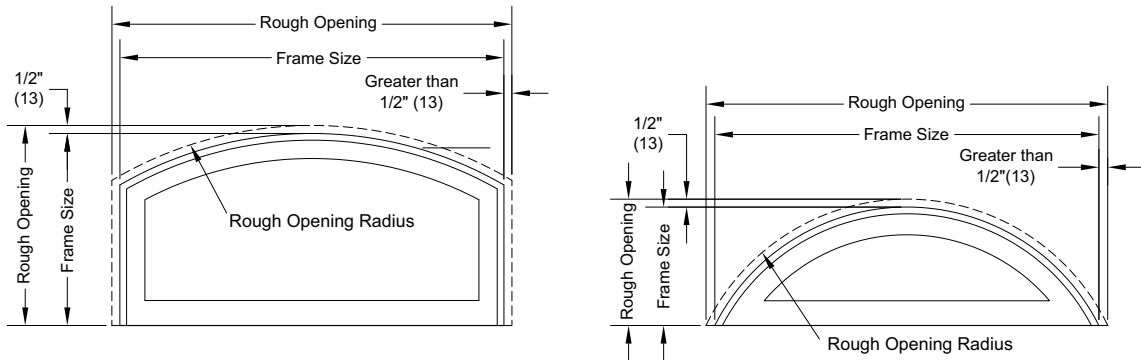
Product	Air Tested to psf	Water Tested to psf	Structural Overload Tested to psf	Certification Rating	Max Width In		Max Width mm	
					in	mm	in	mm
Ultimate Wood Direct Glaze Polygon SG and IG	1.57	8.25	+75/-90	CW-PG50	84	(2134)	97 15/16	(2488)
Ultimate Wood Direct Glaze Polygon SG and IG	1.57	8.25	+75/-90	CW-PG50	97 15/16	(2488)	84	(2134)
Product	Air Tested to psf	Water Tested to psf	Structural Overload Tested to psf	Certification Rating	Max Width In		Max Height In	
					in	mm	in	mm
Ultimate Wood Direct Glaze Polygon IZ3	1.57	8.25	+82.5/-97.5	CW-PG55	73	(1854)	73 15/16	(1878)

NOTE: For CE ratings, please refer to CE Performance Section.

Measurement Conversions: Ultimate Wood Direct Glaze Round Top

Unit Measurements		Width		Height	
From	To				
Rough Opening		in	mm	in	mm
OM of Frame	Rough Opening	+ 1	(25)	+ 1/2	(13)
Masonry Opening w/BMC	Rough Opening	-2 1/2	(64)	-1 1/4	(32)
WUCA CN Direct Glaze Masonry Opening w/BMC	Rough Opening	-2 5/8	(67)	-1 5/16	(33)
WUDH CN Direct Glaze Masonry Opening w/BMC	Rough Opening	-2 1/8	(54)	-1 1/4	(32)
Frame		in	mm	in	mm
Daylight Opening	Frame Size	+ 3 1/8	(79)	+ 3 1/8	(79)
Glass		in	mm	in	mm
Daylight Opening	Glass	+ 1 3/8	(35)	+ 1 3/8	(35)

NOTE: Conversions do not include subsill



NOTE: On all units, we maintain our clearance or conversion dimension perpendicular to the frame. For this reason, standard rectangular conversions cannot be used for any unit involving a radius or angles. These must be calculated on an individual basis. If any dimension is critical (such as frame OSM to match lower unit) then the order should be placed with that dimension. The order will be converted to the accurate rough openings.

Standard Sizes: Ultimate Wood Casement - Full Circle and Ellipse Series

Ultimate Wood Casement/Awning Direct Glaze Round Tops									
Shape - RT27 - Full Circle									
CN		Width				Height			
		Masonry Opening		Rough Opening		Masonry Opening		Rough Opening	
		ft-in	mm	ft-in	mm	ft-in	mm	ft-in	mm
RT	2750	2-4	(711)	2-1 1/2	(648)	2-4	(711)	2-1 1/2	(648)
RT	3950	3-4	(1016)	3-1 1/2	(953)	3-4	(1016)	3-1 1/2	(953)
RT	5150	4-4	(1321)	4-1 1/2	(1257)	4-4	(1321)	4-1 1/2	(1257)
Shape - RT28 - Full Elliptical									
RT	2436	2-3 1/2	(699)	2-1	(635)	3-3 1/2	(1003)	3-1	(940)
RT	3248	2-11 1/2	(902)	2-9	(838)	4-3 1/2	(1308)	4-1	(1245)
RT	4060	3-7 1/2	(1105)	3-5	(1041)	5-3 1/2	(1613)	5-1	(1549)

Standard Sizes: Ultimate Wood Casement - True Half, Elliptical and Quarter Circle

Ultimate Wood Casement/Awning Direct Glaze Round Tops									
Shape - RT1 - True Half Circle									
CN		Width				Height			
		Masonry Opening		Rough Opening		Masonry Opening		Rough Opening	
		ft-in	mm	ft-in	mm	ft-in	mm	ft-in	mm
RT	2010	1-11 5/8	(600)	1-9	(533)	0-11 13/16	(300)	0-10 1/2	(267)
RT	2412	2-3 5/8	(702)	2-1	(635)	1-1 13/16	(351)	1-0 1/2	(318)
RT	2814	2-7 5/8	(803)	2-5	(737)	1-3 13/16	(402)	1-2 1/2	(368)
RT	3216	2-11 5/8	(905)	2-9	(838)	1-5 13/16	(452)	1-4 1/2	(419)
RT	3618	3-3 5/8	(1006)	3-1	(940)	1-7 13/16	(503)	1-6 1/2	(470)
RT	4020	3-7 5/8	(1108)	3-5	(1041)	1-9 13/16	(554)	1-8 1/2	(521)
RT	4824	4-3 5/8	(1311)	4-1	(1245)	2-1 13/16	(656)	2-0 1/2	(622)
RT	5628	4-11 5/8	(1514)	4-9	(1448)	2-5 13/16	(757)	2-4 1/2	(724)
RT	6026	5-3 5/8	(1616)	5-1	(1549)	2-7 13/16	(808)	2-6 1/2	(775)
RT	6432	5-7 5/8	(1718)	5-5	(1651)	2-9 13/16	(859)	2-8 1/2	(826)
RT	7236	6-3 5/8	(1921)	6-1	(1854)	3-1 13/16	(960)	3-0 1/2	(927)
RT	8442	7-3 5/8	(2226)	7-1	(2159)	3-7 13/16	(1113)	3-6 1/2	(1080)
RT	9648	8-3 5/8	(2530)	8-1	(2464)	4-1 13/16	(1265)	4-0 1/2	(1232)
Shape - RT29 - Elliptical									
RT	4017	3-7 5/8	(1108)	3-5	(1041)	1-7 1/4	(489)	1-5 15/16	(456)
RT	4817	4-3 5/8	(1311)	4-1	(1245)	1-7 1/4	(489)	1-5 15/16	(456)
RT	5617	4-11 5/8	(1514)	4-9	(1448)	1-7 1/4	(489)	1-5 15/16	(456)
RT	7217	6-3 5/8	(1921)	6-1	(1854)	1-7 1/4	(489)	1-5 15/16	(456)
RT	8417	7-3 5/8	(2226)	7-1	(2159)	1-7 1/4	(489)	1-5 15/16	(456)
Shape - RT15,16 - Quarter Circle									
RT	2020	1-11 5/8	(600)	1-9	(533)	1-8 15/16	(532)	1-7 5/8	(498)
RT	2424	2-3 5/8	(702)	2-1	(635)	2-0 15/16	(633)	1-11 5/8	(600)
RT	2828	2-7 5/8	(803)	2-5	(737)	2-4 15/16	(735)	2-3 5/8	(702)
RT	3232	2-11 5/8	(905)	2-9	(838)	2-8 15/16	(837)	2-7 5/8	(803)
RT	3636	3-3 5/8	(1006)	3-1	(940)	3-0 15/16	(938)	2-11 5/8	(905)
RT	4040	3-7 5/8	(1108)	3-5	(1041)	3-4 15/16	(1040)	3-3 5/8	(1006)
RT	4848	4-3 5/8	(1311)	4-1	(1245)	4-0 15/16	(1243)	3-11 5/8	(1210)

Standard Sizes: Ultimate Wood Casement - Eyebrow above Springline

Ultimate Wood Casement/Awning Direct Glaze Round Tops																	
Shape - RT6 - Eyebrow Above Springline																	
CN		Width								Height							
		Masonry Opening		Masonry Opening Radius		Rough Opening		Rough Opening Radius		Masonry Opening		Masonry Opening Springline		Rough Opening		Rough Opening Springline	
		ft-in	mm	ft-in	mm	ft-in	mm	ft-in	mm	ft-in	mm	ft-in	mm	ft-in	mm	ft-in	mm
RT	2411	2-3 5/8	(702)	2-1 13/16	(656)	2-1	(635)	2-0 1/2	(622)	1-1 13/16	(351)	0-9 13/16	(249)	1-0 1/2	(318)	0-9 5/64	(230)
RT	2419	2-3 5/8	(702)	2-1 13/16	(656)	2-1	(635)	2-0 1/2	(622)	1-7 13/16	(503)	1-3 13/16	(401)	1-6 1/2	(470)	1-3 5/64	(383)
RT	2423	2-3 5/8	(702)	2-1 13/16	(656)	2-1	(635)	2-0 1/2	(622)	2-1 13/16	(656)	1-9 13/16	(554)	2-0 1/2	(622)	1-9 5/64	(535)
RT	2435	2-3 5/8	(702)	2-1 13/16	(656)	2-1	(635)	2-0 1/2	(622)	3-1 13/16	(960)	2-9 13/16	(859)	3-0 1/2	(927)	2-9 5/64	(840)
RT	2447	2-3 5/8	(702)	2-1 13/16	(656)	2-1	(635)	2-0 1/2	(622)	4-1 13/16	(1265)	3-9 13/16	(1163)	4-0 1/2	(1232)	3-9 5/64	(1145)
RT	2459	2-3 5/8	(702)	2-1 13/16	(656)	2-1	(635)	2-0 1/2	(622)	5-1 13/16	(1570)	4-9 13/16	(1468)	5-0 1/2	(1537)	4-9 5/64	(1450)
RT	2471	2-3 5/8	(702)	2-1 13/16	(656)	2-1	(635)	2-0 1/2	(622)	6-1 13/16	(1875)	5-9 13/16	(1773)	6-0 1/2	(1842)	5-9 5/64	(1754)
RT	2811	2-7 5/8	(803)	2-1 13/16	(656)	2-5	(737)	2-0 1/2	(622)	1-1 13/16	(351)	0-8 13/32	(213)	1-0 1/2	(318)	0-7 3/4	(197)
RT	2819	2-7 5/8	(803)	2-1 13/16	(656)	2-5	(737)	2-0 1/2	(622)	1-7 13/16	(503)	1-2 13/32	(366)	1-6 1/2	(470)	1-1 3/4	(349)
RT	2823	2-7 5/8	(803)	2-1 13/16	(656)	2-5	(737)	2-0 1/2	(622)	2-1 13/16	(656)	1-8 13/32	(518)	2-0 1/2	(622)	1-7 3/4	(502)
RT	2835	2-7 5/8	(803)	2-1 13/16	(656)	2-5	(737)	2-0 1/2	(622)	3-1 13/16	(960)	2-8 13/32	(823)	3-0 1/2	(927)	2-7 3/4	(806)
RT	2847	2-7 5/8	(803)	2-1 13/16	(656)	2-5	(737)	2-0 1/2	(622)	4-1 13/16	(1265)	3-8 13/32	(1128)	4-0 1/2	(1232)	3-7 3/4	(1111)
RT	2859	2-7 5/8	(803)	2-1 13/16	(656)	2-5	(737)	2-0 1/2	(622)	5-1 13/16	(1570)	4-8 13/32	(1433)	5-0 1/2	(1537)	4-7 3/4	(1416)
RT	2871	2-7 5/8	(803)	2-1 13/16	(656)	2-5	(737)	2-0 1/2	(622)	6-1 13/16	(1875)	5-8 13/32	(1737)	6-0 1/2	(1842)	5-7 3/4	(1721)
RT	3211	2-11 5/8	(905)	2-7 13/16	(808)	2-9	(838)	2-6 1/2	(775)	1-1 13/16	(351)	0-8 23/64	(212)	1-0 1/2	(318)	0-7 21/32	(194)
RT	3219	2-11 5/8	(905)	2-7 13/16	(808)	2-9	(838)	2-6 1/2	(775)	1-7 13/16	(503)	1-2 23/64	(365)	1-6 1/2	(470)	1-1 21/32	(347)
RT	3223	2-11 5/8	(905)	2-7 13/16	(808)	2-9	(838)	2-6 1/2	(775)	2-1 13/16	(656)	1-8 23/64	(517)	2-0 1/2	(622)	1-7 21/32	(499)
RT	3235	2-11 5/8	(905)	2-7 13/16	(808)	2-9	(838)	2-6 1/2	(775)	3-1 13/16	(960)	2-8 23/64	(822)	3-0 1/2	(927)	2-7 21/32	(804)
RT	3247	2-11 5/8	(905)	2-7 13/16	(808)	2-9	(838)	2-6 1/2	(775)	4-1 13/16	(1265)	3-8 23/64	(1127)	4-0 1/2	(1232)	3-7 21/32	(1109)
RT	3259	2-11 5/8	(905)	2-7 13/16	(808)	2-9	(838)	2-6 1/2	(775)	5-1 13/16	(1570)	4-8 23/64	(1431)	5-0 1/2	(1537)	4-7 21/32	(1414)
RT	3271	2-11 5/8	(905)	2-7 13/16	(808)	2-9	(838)	2-6 1/2	(775)	6-1 13/16	(1875)	5-8 23/64	(1736)	6-0 1/2	(1842)	5-7 21/32	(1718)
RT	3611	3-3 5/8	(1006)	2-7 13/16	(808)	3-1	(940)	2-6 1/2	(775)	1-1 13/16	(351)	0-6 57/64	(175)	1-0 1/2	(318)	0-6 1/4	(159)
RT	3619	3-3 5/8	(1006)	2-7 13/16	(808)	3-1	(940)	2-6 1/2	(775)	1-7 13/16	(503)	1-0 57/64	(327)	1-6 1/2	(470)	1-0 1/4	(311)
RT	3623	3-3 5/8	(1006)	2-7 13/16	(808)	3-1	(940)	2-6 1/2	(775)	2-1 13/16	(656)	1-6 57/64	(480)	2-0 1/2	(622)	1-6 1/4	(464)
RT	3635	3-3 5/8	(1006)	2-7 13/16	(808)	3-1	(940)	2-6 1/2	(775)	3-1 13/16	(960)	2-6 57/64	(785)	3-0 1/2	(927)	2-6 1/4	(768)
RT	3647	3-3 5/8	(1006)	2-7 13/16	(808)	3-1	(940)	2-6 1/2	(775)	4-1 13/16	(1265)	3-6 57/64	(1089)	4-0 1/2	(1232)	3-6 1/4	(1073)
RT	3659	3-3 5/8	(1006)	2-7 13/16	(808)	3-1	(940)	2-6 1/2	(775)	5-1 13/16	(1570)	4-6 57/64	(1394)	5-0 1/2	(1537)	4-6 1/4	(1378)
RT	3671	3-3 5/8	(1006)	2-7 13/16	(808)	3-1	(940)	2-6 1/2	(775)	6-1 13/16	(1875)	5-6 57/64	(1699)	6-0 1/2	(1842)	5-6 1/4	(1683)
RT	4011	3-7 5/8	(1108)	3-5 13/16	(1062)	3-5	(1041)	3-4 1/2	(1029)	1-1 13/16	(351)	0-7 43/64	(195)	1-0 1/2	(318)	0-6 59/64	(176)
RT	4019	3-7 5/8	(1108)	3-5 13/16	(1062)	3-5	(1041)	3-4 1/2	(1029)	1-7 13/16	(503)	1-1 43/64	(347)	1-6 1/2	(470)	1-0 59/64	(328)
RT	4023	3-7 5/8	(1108)	3-5 13/16	(1062)	3-5	(1041)	3-4 1/2	(1029)	2-1 13/16	(656)	1-7 43/64	(500)	2-0 1/2	(622)	1-6 59/64	(481)
RT	4035	3-7 5/8	(1108)	3-5 13/16	(1062)	3-5	(1041)	3-4 1/2	(1029)	3-1 13/16	(960)	2-7 43/64	(804)	3-0 1/2	(927)	2-6 59/64	(786)
RT	4047	3-7 5/8	(1108)	3-5 13/16	(1062)	3-5	(1041)	3-4 1/2	(1029)	4-1 13/16	(1265)	3-7 43/64	(1109)	4-0 1/2	(1232)	3-6 59/64	(1090)
RT	4059	3-7 5/8	(1108)	3-5 13/16	(1062)	3-5	(1041)	3-4 1/2	(1029)	5-1 13/16	(1570)	4-7 43/64	(1414)	5-0 1/2	(1537)	4-6 59/64	(1395)
RT	4071	3-7 5/8	(1108)	3-5 13/16	(1062)	3-5	(1041)	3-4 1/2	(1029)	6-1 13/16	(1875)	5-7 43/64	(1719)	6-0 1/2	(1842)	5-6 59/64	(1700)

Standard Sizes: Ultimate Wood Casement - Eyebrow above Springline

Ultimate Wood Casement/Awning Direct Glaze Round Tops																	
Shape - RT6 - Eyebrow Above Springline																	
CN		Width								Height							
		Masonry Opening		Masonry Opening Radius		Rough Opening		Rough Opening Radius		Masonry Opening		Masonry Opening Springline		Rough Opening		Rough Opening Springline	
		ft-in	mm	ft-in	mm	ft-in	mm	ft-in	mm	ft-in	mm	ft-in	mm	ft-in	mm	ft-in	mm
RT	4819	4-3 5/8	(1311)	3-5 13/16	(1062)	4-1	(1245)	3-4 1/2	(1029)	1-7 13/16	(503)	0-10 57/64	(277)	1-6 1/2	(470)	0-10 1/4	(260)
RT	4823	4-3 5/8	(1311)	3-5 13/16	(1062)	4-1	(1245)	3-4 1/2	(1029)	2-1 13/16	(656)	1-4 57/64	(429)	2-0 1/2	(622)	1-4 1/4	(413)
RT	4835	4-3 5/8	(1311)	3-5 13/16	(1062)	4-1	(1245)	3-4 1/2	(1029)	3-1 13/16	(960)	2-4 57/64	(734)	3-0 1/2	(927)	2-4 1/4	(718)
RT	4847	4-3 5/8	(1311)	3-5 13/16	(1062)	4-1	(1245)	3-4 1/2	(1029)	4-1 13/16	(1265)	3-4 57/64	(1039)	4-0 1/2	(1232)	3-4 1/4	(1022)
RT	4859	4-3 5/8	(1311)	3-5 13/16	(1062)	4-1	(1245)	3-4 1/2	(1029)	5-1 13/16	(1570)	4-4 57/64	(1344)	5-0 1/2	(1537)	4-4 1/4	(1327)
RT	4871	4-3 5/8	(1311)	3-5 13/16	(1062)	4-1	(1245)	3-4 1/2	(1029)	6-1 13/16	(1875)	5-4 57/64	(1648)	6-0 1/2	(1842)	5-4 1/4	(1632)
RT	5619	4-11 5/8	(1514)	4-7 13/16	(1418)	4-9	(1448)	4-6 1/2	(1384)	1-7 13/16	(503)	0-11 3/16	(284)	1-6 1/2	(470)	0-10 29/64	(266)
RT	5623	4-11 5/8	(1514)	4-7 13/16	(1418)	4-9	(1448)	4-6 1/2	(1384)	2-1 13/16	(656)	1-5 3/16	(436)	2-0 1/2	(622)	1-4 29/64	(418)
RT	5635	4-11 5/8	(1514)	4-7 13/16	(1418)	4-9	(1448)	4-6 1/2	(1384)	3-1 13/16	(960)	2-5 3/16	(741)	3-0 1/2	(927)	2-4 29/64	(723)
RT	5647	4-11 5/8	(1514)	4-7 13/16	(1418)	4-9	(1448)	4-6 1/2	(1384)	4-1 13/16	(1265)	3-5 3/16	(1046)	4-0 1/2	(1232)	3-4 29/64	(1028)
RT	5659	4-11 5/8	(1514)	4-7 13/16	(1418)	4-9	(1448)	4-6 1/2	(1384)	5-1 13/16	(1570)	4-5 3/16	(1351)	5-0 1/2	(1537)	4-4 29/64	(1332)
RT	5671	4-11 5/8	(1514)	4-7 13/16	(1418)	4-9	(1448)	4-6 1/2	(1384)	6-1 13/16	(1875)	5-5 3/16	(1656)	6-0 1/2	(1842)	5-4 29/64	(1637)
RT	7219	6-3 5/8	(1921)	6-1 13/16	(1875)	6-1	(1854)	6-0 1/2	(1842)	1-7 13/16	(503)	0-9 25/64	(239)	1-6 1/2	(470)	0-8 41/64	(220)
RT	7223	6-3 5/8	(1921)	6-1 13/16	(1875)	6-1	(1854)	6-0 1/2	(1842)	2-1 13/16	(656)	1-3 25/64	(391)	2-0 1/2	(622)	1-2 41/64	(372)
RT	7235	6-3 5/8	(1921)	6-1 13/16	(1875)	6-1	(1854)	6-0 1/2	(1842)	3-1 13/16	(960)	2-3 25/64	(696)	3-0 1/2	(927)	2-2 41/64	(677)
RT	7247	6-3 5/8	(1921)	6-1 13/16	(1875)	6-1	(1854)	6-0 1/2	(1842)	4-1 13/16	(1265)	3-3 25/64	(1001)	4-0 1/2	(1232)	3-2 41/64	(982)
RT	7259	6-3 5/8	(1921)	6-1 13/16	(1875)	6-1	(1854)	6-0 1/2	(1842)	5-1 13/16	(1570)	4-3 25/64	(1305)	5-0 1/2	(1537)	4-2 41/64	(1286)
RT	7271	6-3 5/8	(1921)	6-1 13/16	(1875)	6-1	(1854)	6-0 1/2	(1842)	6-1 13/16	(1875)	5-3 25/64	(1610)	6-0 1/2	(1842)	5-2 41/64	(1591)

Standard Sizes: Ultimate Wood Double Hung - True Half Circle and Elliptical Direct Glaze

Ultimate Wood Double Hung Direct Glaze Round Tops									
Shape - RT1 - True Half Circle									
CN		Width				Height			
		Masonry Opening		Rough Opening		Masonry Opening		Rough Opening	
		ft-in	mm	ft-in	mm	ft-in	mm	ft-in	mm
UWDGRT	2914	2-8 1/2	(826)	2-6 3/8	(772)	1-4 1/4	(413)	1-3 3/16	(386)
UWDGRT	3115	2-10 1/2	(876)	2-8 3/8	(822)	1-5 1/4	(438)	1-4 3/16	(411)
UWDGRT	3316	3-0 1/2	(927)	2-10 3/8	(873)	1-6 1/4	(464)	1-5 3/16	(437)
UWDGRT	3517	3-2 1/2	(978)	3-0 3/8	(924)	1-7 1/4	(489)	1-6 3/16	(462)
UWDGRT	3718	3-4 1/2	(1029)	3-2 3/8	(975)	1-8 1/4	(514)	1-7 3/16	(487)
UWDGRT	4120	3-8 1/2	(1130)	3-6 3/8	(1076)	1-10 1/4	(565)	1-9 3/16	(538)
UWDGRT	4522	4-0 1/2	(1232)	3-10 3/8	(1178)	2-0 1/4	(616)	1-11 3/16	(589)
UWDGRT	5025	4-5 7/8	(1368)	4-3 3/4	(1314)	2-2 15/16	(684)	2-1 7/8	(657)
UWDGRT	5828	5-1 7/8	(1572)	4-11 3/4	(1518)	2-6 15/16	(786)	2-5 7/8	(759)
UWDGRT	6632	5-9 7/8	(1775)	5-7 3/4	(1721)	2-10 15/16	(887)	2-9 7/8	(860)
UWDGRT	7437	6-5 7/8	(1978)	6-3 3/4	(1924)	3-2 15/16	(989)	3-1 7/8	(962)
Shape - RT29 - Elliptical									
UWDGRT	5118	4-5 7/8	(1368)	4-3 3/4	(1314)	1-7	(483)	1-5 15/16	(456)
UWDGRT	5918	5-1 7/8	(1572)	4-11 3/4	(1518)	1-7	(483)	1-5 15/16	(456)
UWDGRT	6718	5-9 7/8	(1775)	5-7 3/4	(1721)	1-7	(483)	1-5 15/16	(456)
UWDGRT	7518	6-5 7/8	(1978)	6-3 3/4	(1924)	1-7	(483)	1-5 15/16	(456)

Standard Sizes: Ultimate Wood Double Hung - Eyebrow Above Springline

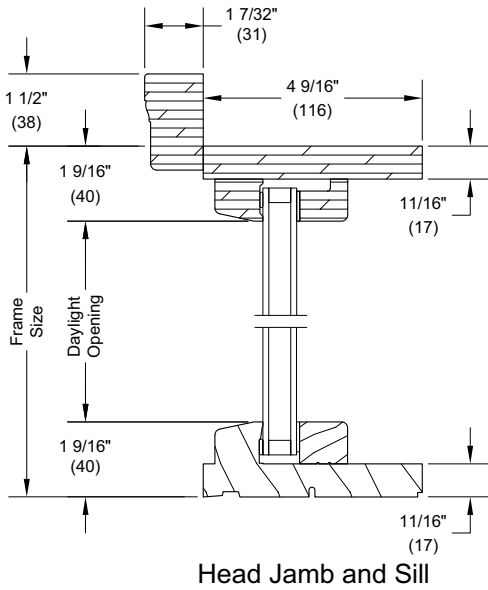
Ultimate Wood Double Hung Direct Glaze Round Tops																	
Shape - RT6 - Eyebrow Above Springline																	
CN	Width								Height								
	Masonry Opening		Masonry Opening Radius		Rough Opening		Rough Opening Radius		Masonry Opening		Masonry Opening Springline		Rough Opening		Rough Opening Springline		
	ft-in	mm	ft-in	mm	ft-in	mm	ft-in	mm	ft-in	mm	ft-in	mm	ft-in	mm	ft-in	mm	
UWDGRT	2511	2-4 1/2	(724)	2-1 3/4	(654)	2-2 3/8	(670)	2-0 1/2	(622)	1-1 3/4	(349)	0-9 29/64	(240)	1-0 1/2	(318)	0-8 41/64	(220)
UWDGRT	2519	2-4 1/2	(724)	2-1 3/4	(654)	2-2 3/8	(670)	2-0 1/2	(622)	1-7 3/4	(502)	1-3 29/64	(392)	1-6 1/2	(470)	1-2 41/64	(372)
UWDGRT	2523	2-4 1/2	(724)	2-1 3/4	(654)	2-2 3/8	(670)	2-0 1/2	(622)	2-1 3/4	(654)	1-9 29/64	(545)	2-0 1/2	(622)	1-8 41/64	(524)
UWDGRT	2535	2-4 1/2	(724)	2-1 3/4	(654)	2-2 3/8	(670)	2-0 1/2	(622)	3-1 3/4	(959)	2-9 29/64	(850)	3-0 1/2	(927)	2-8 41/64	(829)
UWDGRT	2547	2-4 1/2	(724)	2-1 3/4	(654)	2-2 3/8	(670)	2-0 1/2	(622)	4-1 3/4	(1264)	3-9 29/64	(1154)	4-0 1/2	(1232)	3-8 41/64	(1134)
UWDGRT	2559	2-4 1/2	(724)	2-1 3/4	(654)	2-2 3/8	(670)	2-0 1/2	(622)	5-1 3/4	(1568)	4-9 29/64	(1459)	5-0 1/2	(1537)	4-8 41/64	(1439)
UWDGRT	2571	2-4 1/2	(724)	2-1 3/4	(654)	2-2 3/8	(670)	2-0 1/2	(622)	6-1 3/4	(1873)	5-9 29/64	(1764)	6-0 1/2	(1842)	5-8 41/64	(1744)
UWDGRT	2911	2-8 1/2	(826)	2-1 3/4	(654)	2-6 3/8	(772)	2-0 1/2	(622)	1-1 3/4	(349)	0-7 31/32	(203)	1-0 1/2	(318)	0-7 7/32	(184)
UWDGRT	2919	2-8 1/2	(826)	2-1 3/4	(654)	2-6 3/8	(772)	2-0 1/2	(622)	1-7 3/4	(502)	1-1 31/32	(355)	1-6 1/2	(470)	1-1 7/32	(336)
UWDGRT	2923	2-8 1/2	(826)	2-1 3/4	(654)	2-6 3/8	(772)	2-0 1/2	(622)	2-1 3/4	(654)	1-7 31/32	(507)	2-0 1/2	(622)	1-7 7/32	(488)
UWDGRT	2935	2-8 1/2	(826)	2-1 3/4	(654)	2-6 3/8	(772)	2-0 1/2	(622)	3-1 3/4	(959)	2-7 31/32	(812)	3-0 1/2	(927)	2-7 7/32	(793)
UWDGRT	2947	2-8 1/2	(826)	2-1 3/4	(654)	2-6 3/8	(772)	2-0 1/2	(622)	4-1 3/4	(1264)	3-7 31/32	(1117)	4-0 1/2	(1232)	3-7 7/32	(1098)
UWDGRT	2959	2-8 1/2	(826)	2-1 3/4	(654)	2-6 3/8	(772)	2-0 1/2	(622)	5-1 3/4	(1568)	4-7 31/32	(1422)	5-0 1/2	(1537)	4-7 7/32	(1403)
UWDGRT	2971	2-8 1/2	(826)	2-1 3/4	(654)	2-6 3/8	(772)	2-0 1/2	(622)	6-1 3/4	(1873)	5-7 31/32	(1727)	6-0 1/2	(1842)	5-7 7/32	(1708)
UWDGRT	3111	2-10 1/2	(876)	2-7 3/4	(806)	2-8 3/8	(822)	2-6 1/2	(775)	1-1 3/4	(349)	0-8 21/32	(220)	1-0 1/2	(318)	0-7 27/32	(199)
UWDGRT	3119	2-10 1/2	(876)	2-7 3/4	(806)	2-8 3/8	(822)	2-6 1/2	(775)	1-7 3/4	(502)	1-2 21/32	(372)	1-6 1/2	(470)	1-1 27/32	(352)
UWDGRT	3123	2-10 1/2	(876)	2-7 3/4	(806)	2-8 3/8	(822)	2-6 1/2	(775)	2-1 3/4	(654)	1-8 21/32	(525)	2-0 1/2	(622)	1-7 27/32	(504)
UWDGRT	3135	2-10 1/2	(876)	2-7 3/4	(806)	2-8 3/8	(822)	2-6 1/2	(775)	3-1 3/4	(959)	2-8 21/32	(829)	3-0 1/2	(927)	2-7 27/32	(809)
UWDGRT	3147	2-10 1/2	(876)	2-7 3/4	(806)	2-8 3/8	(822)	2-6 1/2	(775)	4-1 3/4	(1264)	3-8 21/32	(1134)	4-0 1/2	(1232)	3-7 27/32	(1114)
UWDGRT	3159	2-10 1/2	(876)	2-7 3/4	(806)	2-8 3/8	(822)	2-6 1/2	(775)	5-1 3/4	(1568)	4-8 21/32	(1439)	5-0 1/2	(1537)	4-7 27/32	(1419)
UWDGRT	3171	2-10 1/2	(876)	2-7 3/4	(806)	2-8 3/8	(822)	2-6 1/2	(775)	6-1 3/4	(1873)	5-8 21/32	(1744)	6-0 1/2	(1842)	5-7 27/32	(1723)
UWDGRT	3311	3-0 1/2	(927)	2-7 3/4	(806)	2-10 3/8	(873)	2-6 1/2	(775)	1-1 3/4	(349)	0-7 63/64	(203)	1-0 1/2	(318)	0-7 13/64	(183)
UWDGRT	3319	3-0 1/2	(927)	2-7 3/4	(806)	2-10 3/8	(873)	2-6 1/2	(775)	1-7 3/4	(502)	1-1 63/64	(355)	1-6 1/2	(470)	1-1 13/64	(335)
UWDGRT	3323	3-0 1/2	(927)	2-7 3/4	(806)	2-10 3/8	(873)	2-6 1/2	(775)	2-1 3/4	(654)	1-7 63/64	(508)	2-0 1/2	(622)	1-7 13/64	(488)
UWDGRT	3335	3-0 1/2	(927)	2-7 3/4	(806)	2-10 3/8	(873)	2-6 1/2	(775)	3-1 3/4	(959)	2-7 63/64	(812)	3-0 1/2	(927)	2-7 13/64	(792)
UWDGRT	3347	3-0 1/2	(927)	2-7 3/4	(806)	2-10 3/8	(873)	2-6 1/2	(775)	4-1 3/4	(1264)	3-7 63/64	(1117)	4-0 1/2	(1232)	3-7 13/64	(1097)
UWDGRT	3359	3-0 1/2	(927)	2-7 3/4	(806)	2-10 3/8	(873)	2-6 1/2	(775)	5-1 3/4	(1568)	4-7 63/64	(1422)	5-0 1/2	(1537)	4-7 13/64	(1402)
UWDGRT	3371	3-0 1/2	(927)	2-7 3/4	(806)	2-10 3/8	(873)	2-6 1/2	(775)	6-1 3/4	(1873)	5-7 63/64	(1727)	6-0 1/2	(1842)	5-7 13/64	(1707)
UWDGRT	3511	3-2 1/2	(978)	2-7 3/4	(806)	3-0 3/8	(924)	2-6 1/2	(775)	1-1 3/4	(349)	0-7 1/4	(184)	1-0 1/2	(318)	0-6 31/64	(165)
UWDGRT	3519	3-2 1/2	(978)	2-7 3/4	(806)	3-0 3/8	(924)	2-6 1/2	(775)	1-7 3/4	(502)	1-1 1/4	(337)	1-6 1/2	(470)	1-0 31/64	(317)
UWDGRT	3523	3-2 1/2	(978)	2-7 3/4	(806)	3-0 3/8	(924)	2-6 1/2	(775)	2-1 3/4	(654)	1-7 1/4	(489)	2-0 1/2	(622)	1-6 31/64	(469)
UWDGRT	3535	3-2 1/2	(978)	2-7 3/4	(806)	3-0 3/8	(924)	2-6 1/2	(775)	3-1 3/4	(959)	2-7 1/4	(794)	3-0 1/2	(927)	2-6 31/64	(774)
UWDGRT	3547	3-2 1/2	(978)	2-7 3/4	(806)	3-0 3/8	(924)	2-6 1/2	(775)	4-1 3/4	(1264)	3-7 1/4	(1099)	4-0 1/2	(1232)	3-6 31/64	(1079)
UWDGRT	3559	3-2 1/2	(978)	2-7 3/4	(806)	3-0 3/8	(924)	2-6 1/2	(775)	5-1 3/4	(1568)	4-7 1/4	(1403)	5-0 1/2	(1537)	4-6 31/64	(1384)
UWDGRT	3571	3-2 1/2	(978)	2-7 3/4	(806)	3-0 3/8	(924)	2-6 1/2	(775)	6-1 3/4	(1873)	5-7 1/4	(1708)	6-0 1/2	(1842)	5-6 31/64	(1689)
UWDGRT	3711	3-4 1/2	(1029)	3-5 3/4	(1060)	3-2 3/8	(975)	3-4 1/2	(1029)	1-1 3/4	(349)	0-8 33/64	(216)	1-0 1/2	(318)	0-7 43/64	(195)
UWDGRT	3719	3-4 1/2	(1029)	3-5 3/4	(1060)	3-2 3/8	(975)	3-4 1/2	(1029)	1-7 3/4	(502)	1-2 33/64	(369)	1-6 1/2	(470)	1-1 43/64	(347)
UWDGRT	3723	3-4 1/2	(1029)	3-5 3/4	(1060)	3-2 3/8	(975)	3-4 1/2	(1029)	2-1 3/4	(654)	1-8 33/64	(521)	2-0 1/2	(622)	1-7 43/64	(500)
UWDGRT	3735	3-4 1/2	(1029)	3-5 3/4	(1060)	3-2 3/8	(975)	3-4 1/2	(1029)	3-1 3/4	(959)	2-8 33/64	(826)	3-0 1/2	(927)	2-7 43/64	(804)

Standard Sizes: Ultimate Wood Double Hung - Eyebrow Above Springline

Ultimate Wood Double Hung Direct Glaze Round Tops																	
Shape - RT6 - Eyebrow Above Springline																	
CN		Width								Height							
		Masonry Opening		Masonry Opening Radius		Rough Opening		Rough Opening Radius		Masonry Opening		Masonry Opening Springline		Rough Opening		Rough Opening Springline	
		ft-in	mm	ft-in	mm	ft-in	mm	ft-in	mm	ft-in	mm	ft-in	mm	ft-in	mm	ft-in	mm
UWDGRT	3747	3-4 1/2	(1029)	3-5 3/4	(1060)	3-2 3/8	(975)	3-4 1/2	(1029)	4-1 3/4	(1264)	3-8 33/64	(1131)	4-0 1/2	(1232)	3-7 43/64	(1109)
UWDGRT	3759	3-4 1/2	(1029)	3-5 3/4	(1060)	3-2 3/8	(975)	3-4 1/2	(1029)	5-1 3/4	(1568)	4-8 33/64	(1435)	5-0 1/2	(1537)	4-7 43/64	(1414)
UWDGRT	3771	3-4 1/2	(1029)	3-5 3/4	(1060)	3-2 3/8	(975)	3-4 1/2	(1029)	6-1 3/4	(1873)	5-8 33/64	(1740)	6-0 1/2	(1842)	5-7 43/64	(1719)
UWDGRT	4111	3-8 1/2	(1130)	3-5 3/4	(1060)	3-6 3/8	(1076)	3-4 1/2	(1029)	1-1 3/4	(349)	0-7 21/64	(186)	1-0 1/2	(318)	0-6 33/64	(166)
UWDGRT	4119	3-8 1/2	(1130)	3-5 3/4	(1060)	3-6 3/8	(1076)	3-4 1/2	(1029)	1-7 3/4	(502)	1-1 21/64	(339)	1-6 1/2	(470)	1-0 33/64	(318)
UWDGRT	4123	3-8 1/2	(1130)	3-5 3/4	(1060)	3-6 3/8	(1076)	3-4 1/2	(1029)	2-1 3/4	(654)	1-7 21/64	(491)	2-0 1/2	(622)	1-6 33/64	(470)
UWDGRT	4135	3-8 1/2	(1130)	3-5 3/4	(1060)	3-6 3/8	(1076)	3-4 1/2	(1029)	3-1 3/4	(959)	2-7 21/64	(796)	3-0 1/2	(927)	2-6 33/64	(775)
UWDGRT	4147	3-8 1/2	(1130)	3-5 3/4	(1060)	3-6 3/8	(1076)	3-4 1/2	(1029)	4-1 3/4	(1264)	3-7 21/64	(1101)	4-0 1/2	(1232)	3-6 33/64	(1080)
UWDGRT	4159	3-8 1/2	(1130)	3-5 3/4	(1060)	3-6 3/8	(1076)	3-4 1/2	(1029)	5-1 3/4	(1568)	4-7 21/64	(1405)	5-0 1/2	(1537)	4-6 33/64	(1385)
UWDGRT	4171	3-8 1/2	(1130)	3-5 3/4	(1060)	3-6 3/8	(1076)	3-4 1/2	(1029)	6-1 3/4	(1873)	5-7 21/64	(1710)	6-0 1/2	(1842)	5-6 33/64	(1690)
UWDGRT	4519	4-0 1/2	(1232)	3-5 3/4	(1060)	3-10 3/8	(1178)	3-4 1/2	(1029)	1-7 3/4	(502)	0-11 63/64	(304)	1-6 1/2	(470)	0-11 13/64	(285)
UWDGRT	4523	4-0 1/2	(1232)	3-5 3/4	(1060)	3-10 3/8	(1178)	3-4 1/2	(1029)	2-1 3/4	(654)	1-5 63/64	(457)	2-0 1/2	(622)	1-5 13/64	(437)
UWDGRT	4535	4-0 1/2	(1232)	3-5 3/4	(1060)	3-10 3/8	(1178)	3-4 1/2	(1029)	3-1 3/4	(959)	2-5 63/64	(762)	3-0 1/2	(927)	2-5 13/64	(742)
UWDGRT	4547	4-0 1/2	(1232)	3-5 3/4	(1060)	3-10 3/8	(1178)	3-4 1/2	(1029)	4-1 3/4	(1264)	3-5 63/64	(1066)	4-0 1/2	(1232)	3-5 13/64	(1047)
UWDGRT	4559	4-0 1/2	(1232)	3-5 3/4	(1060)	3-10 3/8	(1178)	3-4 1/2	(1029)	5-1 3/4	(1568)	4-5 63/64	(1371)	5-0 1/2	(1537)	4-5 13/64	(1351)
UWDGRT	4571	4-0 1/2	(1232)	3-5 3/4	(1060)	3-10 3/8	(1178)	3-4 1/2	(1029)	6-1 3/4	(1873)	5-5 63/64	(1676)	6-0 1/2	(1842)	5-5 13/64	(1656)
UWDGRT	5119	4-5 7/8	(1368)	3-5 3/4	(1060)	4-3 3/4	(1314)	3-4 1/2	(1029)	1-7 3/4	(502)	0-9 57/64	(251)	1-6 1/2	(470)	0-9 5/32	(233)
UWDGRT	5123	4-5 7/8	(1368)	3-5 3/4	(1060)	4-3 3/4	(1314)	3-4 1/2	(1029)	2-1 3/4	(654)	1-3 57/64	(404)	2-0 1/2	(622)	1-3 5/32	(385)
UWDGRT	5135	4-5 7/8	(1368)	3-5 3/4	(1060)	4-3 3/4	(1314)	3-4 1/2	(1029)	3-1 3/4	(959)	2-3 57/64	(709)	3-0 1/2	(927)	2-3 5/32	(690)
UWDGRT	5147	4-5 7/8	(1368)	3-5 3/4	(1060)	4-3 3/4	(1314)	3-4 1/2	(1029)	4-1 3/4	(1264)	3-3 57/64	(1013)	4-0 1/2	(1232)	3-3 5/32	(995)
UWDGRT	5159	4-5 7/8	(1368)	3-5 3/4	(1060)	4-3 3/4	(1314)	3-4 1/2	(1029)	5-1 3/4	(1568)	4-3 57/64	(1318)	5-0 1/2	(1537)	4-3 5/32	(1299)
UWDGRT	5171	4-5 7/8	(1368)	3-5 3/4	(1060)	4-3 3/4	(1314)	3-4 1/2	(1029)	6-1 3/4	(1873)	5-3 57/64	(1623)	6-0 1/2	(1842)	5-3 5/32	(1604)
UWDGRT	5919	5-1 7/8	(1572)	4-7 3/4	(1416)	4-11 3/4	(1518)	4-6 1/2	(1384)	1-7 3/4	(502)	0-10 3/8	(264)	1-6 1/2	(470)	0-9 37/64	(243)
UWDGRT	5923	5-1 7/8	(1572)	4-7 3/4	(1416)	4-11 3/4	(1518)	4-6 1/2	(1384)	2-1 3/4	(654)	1-4 3/8	(416)	2-0 1/2	(622)	1-3 37/64	(396)
UWDGRT	5935	5-1 7/8	(1572)	4-7 3/4	(1416)	4-11 3/4	(1518)	4-6 1/2	(1384)	3-1 3/4	(959)	2-4 3/8	(721)	3-0 1/2	(927)	2-3 37/64	(701)
UWDGRT	5947	5-1 7/8	(1572)	4-7 3/4	(1416)	4-11 3/4	(1518)	4-6 1/2	(1384)	4-1 3/4	(1264)	3-4 3/8	(1026)	4-0 1/2	(1232)	3-3 37/64	(1005)
UWDGRT	5959	5-1 7/8	(1572)	4-7 3/4	(1416)	4-11 3/4	(1518)	4-6 1/2	(1384)	5-1 3/4	(1568)	4-4 3/8	(1330)	5-0 1/2	(1537)	4-3 37/64	(1310)
UWDGRT	5971	5-1 7/8	(1572)	4-7 3/4	(1416)	4-11 3/4	(1518)	4-6 1/2	(1384)	6-1 3/4	(1873)	5-4 3/8	(1635)	6-0 1/2	(1842)	5-3 37/64	(1615)
UWDGRT	6719	5-9 7/8	(1775)	6-1 3/4	(1873)	5-7 3/4	(1721)	6-0 1/2	(1842)	1-7 3/4	(502)	0-10 61/64	(278)	1-6 1/2	(470)	0-10 3/32	(257)
UWDGRT	6723	5-9 7/8	(1775)	6-1 3/4	(1873)	5-7 3/4	(1721)	6-0 1/2	(1842)	2-1 3/4	(654)	1-4 61/64	(431)	2-0 1/2	(622)	1-4 3/32	(409)
UWDGRT	6735	5-9 7/8	(1775)	6-1 3/4	(1873)	5-7 3/4	(1721)	6-0 1/2	(1842)	3-1 3/4	(959)	2-4 61/64	(735)	3-0 1/2	(927)	2-4 3/32	(714)
UWDGRT	6747	5-9 7/8	(1775)	6-1 3/4	(1873)	5-7 3/4	(1721)	6-0 1/2	(1842)	4-1 3/4	(1264)	3-4 61/64	(1040)	4-0 1/2	(1232)	3-4 3/32	(1019)
UWDGRT	6759	5-9 7/8	(1775)	6-1 3/4	(1873)	5-7 3/4	(1721)	6-0 1/2	(1842)	5-1 3/4	(1568)	4-4 61/64	(1345)	5-0 1/2	(1537)	4-4 3/32	(1323)
UWDGRT	6771	5-9 7/8	(1775)	6-1 3/4	(1873)	5-7 3/4	(1721)	6-0 1/2	(1842)	6-1 3/4	(1873)	5-4 61/64	(1650)	6-0 1/2	(1842)	5-4 3/32	(1628)
UWDGRT	7519	6-5 7/8	(1978)	6-1 3/4	(1873)	6-3 3/4	(1924)	6-0 1/2	(1842)	1-7 3/4	(502)	0-8 41/64	(219)	1-6 1/2	(470)	0-7 13/16	(199)
UWDGRT	7523	6-5 7/8	(1978)	6-1 3/4	(1873)	6-3 3/4	(1924)	6-0 1/2	(1842)	2-1 3/4	(654)	1-2 41/64	(372)	2-0 1/2	(622)	1-1 13/16	(351)
UWDGRT	7535	6-5 7/8	(1978)	6-1 3/4	(1873)	6-3 3/4	(1924)	6-0 1/2	(1842)	3-1 3/4	(959)	2-2 41/64	(676)	3-0 1/2	(927)	2-1 13/16	(656)
UWDGRT	7547	6-5 7/8	(1978)	6-1 3/4	(1873)	6-3 3/4	(1924)	6-0 1/2	(1842)	4-1 3/4	(1264)	3-2 41/64	(981)	4-0 1/2	(1232)	3-1 13/16	(961)
UWDGRT	7559	6-5 7/8	(1978)	6-1 3/4	(1873)	6-3 3/4	(1924)	6-0 1/2	(1842)	5-1 3/4	(1568)	4-2 41/64	(1286)	5-0 1/2	(1537)	4-1 13/16	(1265)
UWDGRT	7571	6-5 7/8	(1978)	6-1 3/4	(1873)	6-3 3/4	(1924)	6-0 1/2	(1842)	6-1 3/4	(1873)	5-2 41/64	(1591)	6-0 1/2	(1842)	5-1 13/16	(1570)

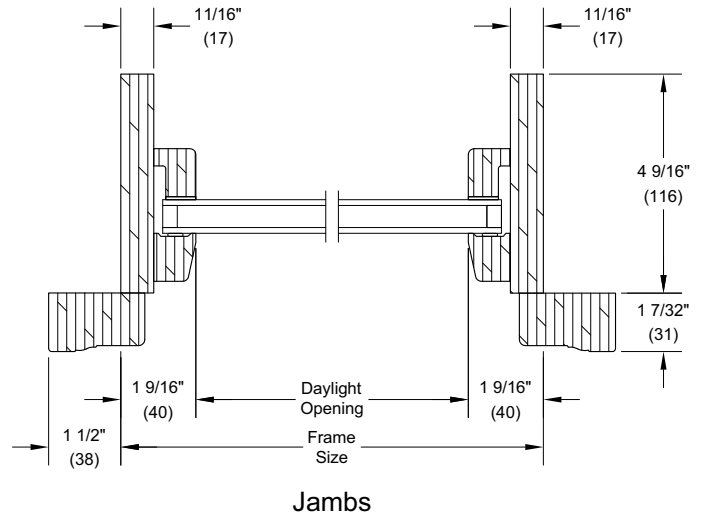
Section Details: Ultimate Wood Direct Glaze Round Top

Scale: 3' = 1' 0"

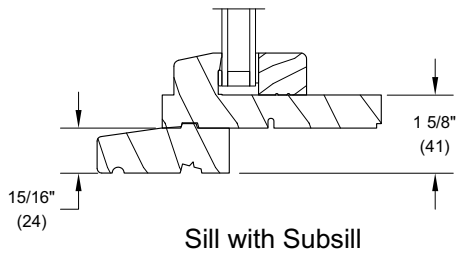


Head Jamb and Sill

Insulating Glass

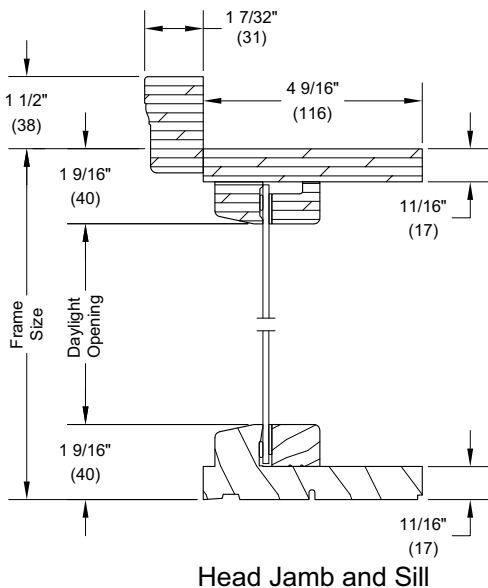


Jamb



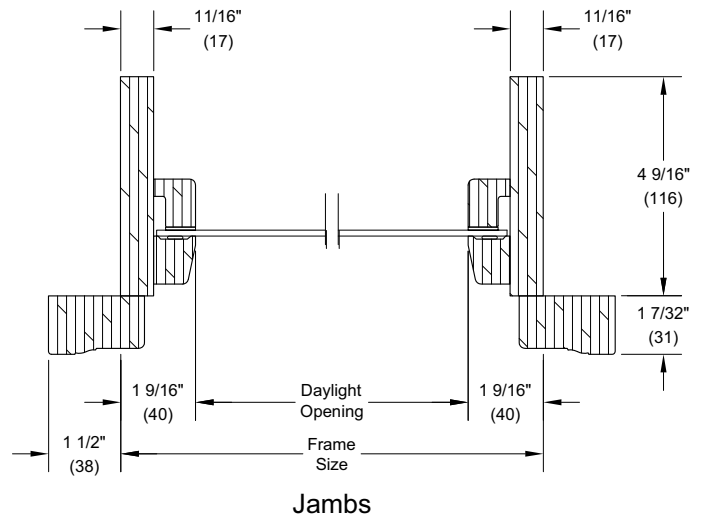
Sill with Subsill

Casing Overlap Distances								
Product Type	RT2				RT6			
	Head		Jamb		Head		Jamb	
	in	mm	in	mm	in	mm	in	mm
Direct Glaze	1/2	(13)	1/2	(13)	1/2	(13)	1/2	(13)
Ultimate Wood Casement Direct Glaze	7/16	(11)	7/16	(11)	7/16	(11)	7/16	(11)
Ultimate Wood Double Hung Direct Glaze	11/16	(17)	11/16	(17)	1/2	(13)	11/16	(17)



Head Jamb and Sill

Single Glaze

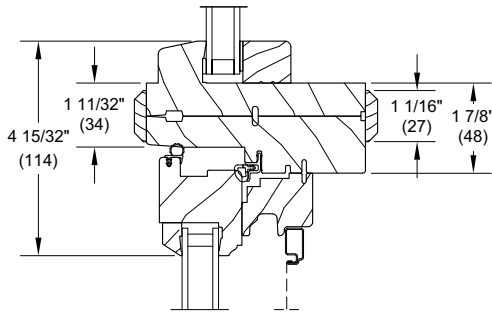


Jamb

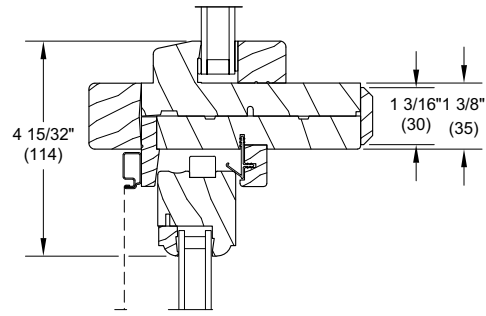
NOTE: Single glaze is not available with CE mark

Section Details: Ultimate Wood Direct Glaze Round Top Mullion Options

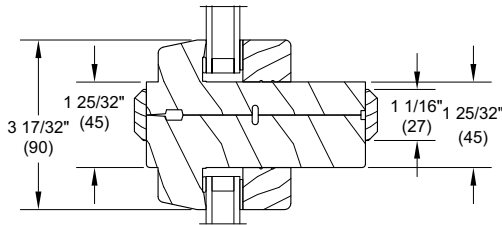
Scale: 3' = 1' 0"



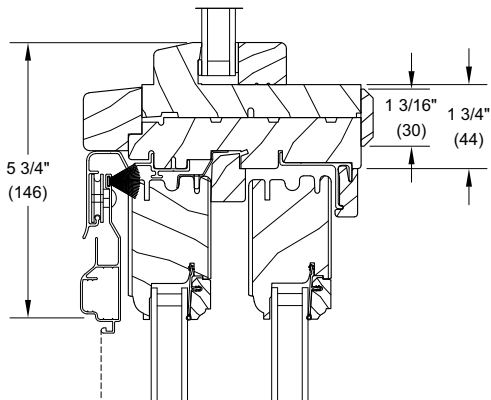
**UWDGRT
Over UWCA**



**UWDGRT
Over UWDH**



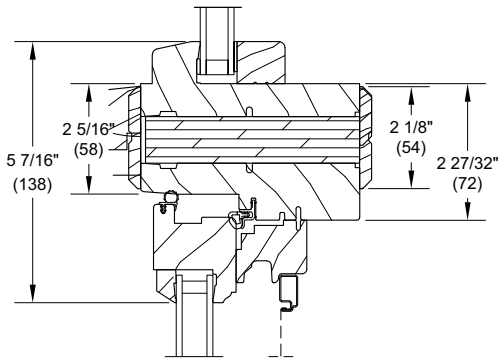
**UWDGRT
Over UWDG Poly**



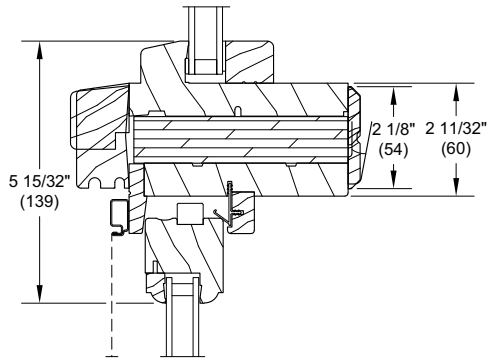
**UWDGRT
Over UWSPD**

Section Details: Ultimate Wood Direct Glaze Round Top Mullion Options

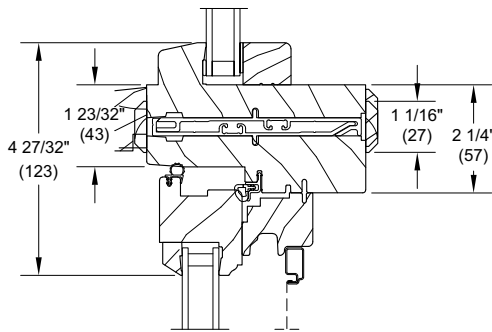
Scale: 3' = 1' 0"



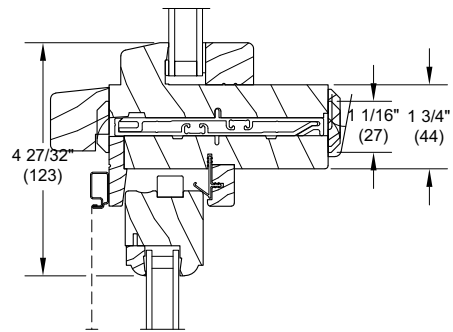
**UWDGRT
Over UWCA**



**UWDGRT
Over UWDH**

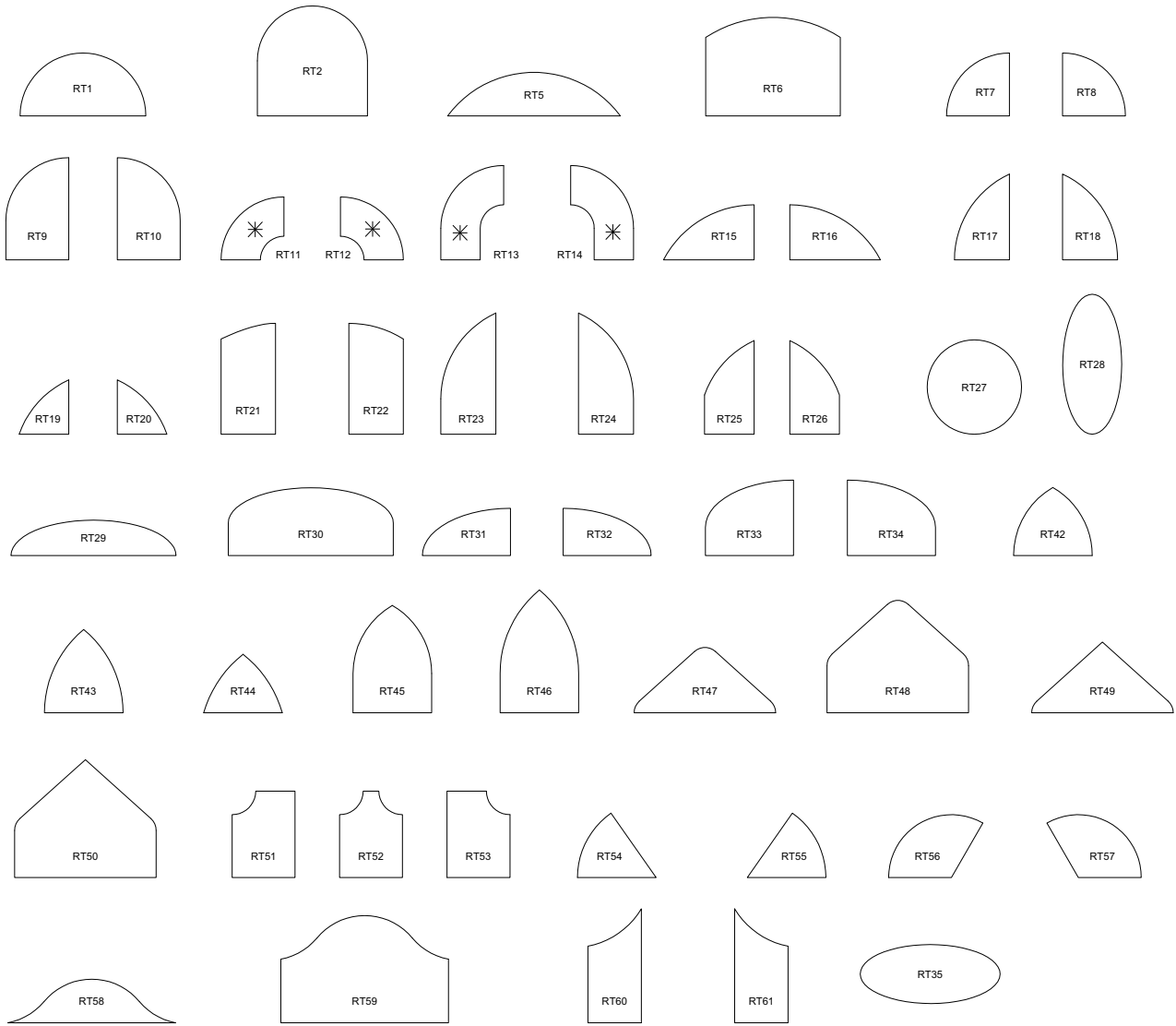


**UWDGRT
Over UWCA**



**UWDGRT
Over UWDH**

Direct Glaze Round Top Shape Reference



NOTE: For RT11, RT12, RT13 or RT14, please contact your Marvin representative for limitations.

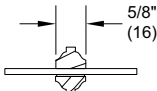
Single Glaze Divided Lite Options



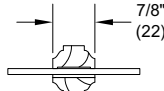
Single Glaze



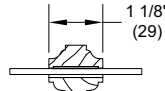
Single Glaze
W/ Energy Panel



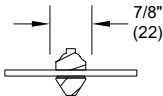
5/8" SDL



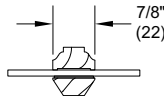
7/8" SDL



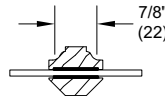
1 1/8" SDL



7/8" SG-ADL



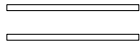
7/8" SG-ADL
W/ Energy Panel



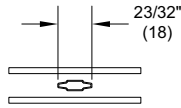
7/8" SG-ADL
Full Depth Munt

*NOTE: ADL and single glaze are not available with CE mark
ADL option defaults to pre-June 24, 2013, platform*

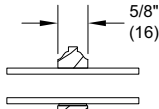
Standard Insulating Glass Divided Lite Options



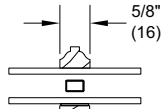
Insulating Glass



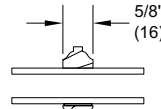
Aluminum 23/32"
Contour GBG



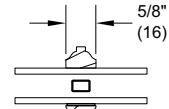
5/8" SDL



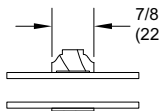
5/8" SDL
W/Spacer



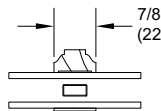
5/8" Putty
SDL



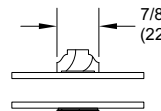
5/8" Putty SDL
W/Spacer



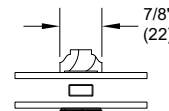
7/8" SDL



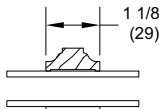
7/8" SDL
W/Spacer Bar



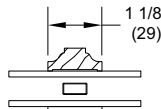
7/8" Putty SDL



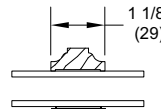
7/8" Putty SDL
W/Spacer Bar



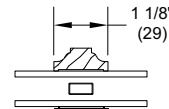
1 1/8" SDL



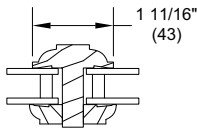
1 1/8" SDL
W/Spacer Bar



1 1/8" Putty SDL



1 1/8" Putty SDL
W/Spacer Bar



1 11/16" IG ADL

Optional Interior Square Simulated Divided Lite

