

Ultimate Wood Commercial Door

Unit Features.....	1
Standard Divided Lite Option	3
Optional Interior Square Simulated Divided Lite	4
Minimum and Maximum Guidelines: Doors and In-Sash Transoms	7
Minimum and Maximum Guidelines: Direct Glaze Rectangles / Transoms	8
Net Clear Openings.....	9
Measurements Conversions.....	10
1 3/4" Commercial Section Details: Operating	12
1 3/4" Commercial Section Details: Stationary and Sidelite.....	13
1 3/4" Commercial Section Details: Panel Configurations	14
1 3/4" Commercial Section Details: Flat Panel Placement.....	15
1 3/4" Commercial Section Details: Raised Panel Placement	16
2 1/4" Commercial Section Details: Operating	17
2 1/4" Commercial Section Details: Stationary and Sidelite.....	18
2 1/4" Commercial Section Details: Panel Configurations	19
2 1/4" Commercial Section Details: Flat Panel Placement.....	20
2 1/4" Commercial Section Details: Raised Panel Placement	21
1 3/4" and 2 1/4" Commercial Section Details: In-Sash Transom.....	22
1 3/4" and 2 1/4" Commercial Section Details: Direct Glaze Transom.....	23

Unit Features

Ultimate Wood Commercial Door: UWCD

Ultimate Wood Commercial Door 2 1/4": UWCD 2.25inch

NOTE: CE mark not available on Ultimate Wood Commercial Door or Ultimate Wood Commercial Door 2 1/4".

Frame:

- Frame thickness: 1 1/16" (27).
- Frame width: 4 9/16" (116).
- Sill Options:
 - Standard factory installed thermal barrier saddle low profile 0.500" (13) by 7.125" (181) sill. Optional; thermal barrier saddle low profile 0.250" (6) by 7.125" (181) sill. Offset saddle low profile 0.500" (13) by 7.00" (178) sill with 0.250" (6) offset.
 - Optional factory installed thermal barrier saddle low profile 0.500" (13) by 8.125" (210) sill. Optional; thermal barrier saddle low profile 0.250" (6) by 8.125" (210) sill.
 - Optional factory installed thermal barrier saddle low profile 0.500" (13) by 9.125" (235) sill. Optional; thermal barrier saddle low profile 0.250" (6) by 9.125" (235) sill.
 - Optional: No sill.
 - Finishes: Standard: Mill Finish Aluminum, Optional: Dark Bronze Anodized Aluminum, Gold Anodized Aluminum.

Panel:

- Panel thickness: WCD 1 3/4" (44) and WMCD 2 1/4" (57).
- Top rail height:
 - WCD panel: 6" (152).
 - WMCD panel: 8 1/8" (206).
 - Panel core material is solid Pine, or follows the species of the door.
- Stile width, locking and hinge stiles are 6" (153) wide with LVL core.
- Bottom rail height: 11 3/8" (289) is solid pine or follows the species of the door.
- Optional 6" (152) intermediate rail is solid pine or follows the species of the door, is centered 26" (660) or 40 5/16" (1024) from bottom of door sill.

Glass and Glazing:

- Select quality complying with ASM C 1036. Comply with 16 CFR 1201 Safety Standard for Architectural Glazing Materials. Tempered insulating glass IGMA.IGCC certified to performance level CBA when tested in accordance with ASTM E 774.
- Glazing Seal: Tempered insulating glass hermetically sealed placed into an exterior bed of silicone. Uses a beveled wood stop.
- WCD has 3/4" IG with removable interior vinyl glazing stops with non finger-jointed wood covers, no visible fasteners.
- WMCD Commercial Door has 1" IG with nailed on glazing stops.
- Glazing Method: Tempered Insulating Glass (Altitude Adjusted).
- Glass Type: Clear; Bronze; Gray; Reflective Bronze; Low E2 Argon or without Argon; Low E3 Argon or without Argon; Low E2/ERS Argon or air; Low E3/ERS Argon or air; Obscure; Laminated and Decorative glass options.
- ADL glazing option not available with Argon.

Hardware

- Hinges: 4 1/2" (114) x 4 1/2" (114) square corner ball bearing hinges. Standard finish color and substrate: Satin Chrome (US26D) over brass substrate.
 - Optional: Bronze finish over Brass substrate (US10A), Solid Brass (US3), Stainless Steel (US32D).
- UWCD panel: Three hinges per panel up to 85 9/16" (2173) high, four hinges per panel on doors over 85 9/16" (2173) rough opening.
- UWCD 2.25 panel: Three hinges per panel up to 85 9/16" (2173) and 95" (2413) high, 5 hinges per panel on units over 95" (2413) high.
- No lock no bore is standard.
 - Optional Commercial Hardware Package:
 - Closer, rim device, mortise lock, removable mullion and kick plate.
 - Optional hardware Routs and Preps.
 - Von Duprin Push pad Rim Devices and Trim Sets.
 - Von Duprin Cross Bar Device and Trim Sets.
 - Von Duprin 5547 Concealed Vertical Rod Exit Device (2 1/4" Door only)
 - Sargent 8200 Mortise Lock Prep.
 - Schlage L Mortise Lock and Trim Sets.
 - Schlage ND Cylindrical locks.
 - Alarm Lock.

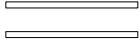
Unit Features**Raised/Flat Panel Option:**

- 6" (152) Intermediate rail in constructed of finger joint, edge-glued pine, or laminated veneer lumber (LVL) core with non finger-jointed, bare veneers to the interior and exterior.
 - Raised or flat Extira[®] panel constructed of medium density fiberboard (MDF) core with wood laminate veneer to interior and exterior.
- Two standard placement options are available:
 - Low Placement, 26"(660) on center (OC) of 6"(152) intermediate rail from bottom of door sill for a 10 13/16"(275) visible panel height.
 - High Placement, 40 5/16"(1024) OC of 6"(152) intermediate rail from bottom of door sill for a 25 1/8"(638) visible panel height.

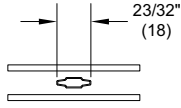
Weather Strip:

- Beige bulb type weather strip at top rails and hinge stiles.
 - Optional: Black.
- Black pile type weather strip at locking stiles.
- Panel Drips will default to the sill finish or color. Beige drips will default for clear anodize aluminum, gold anodized or beige sills. Bronze drips will default for bronze sills.
- Sweep across panel bottom.
 - Optional: Bronze or Beige.

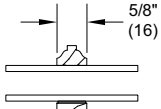
Standard Divided Lite Option



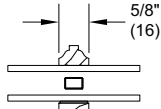
Insulating Glass



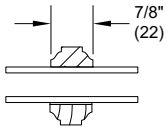
Aluminum 23/32"
Contour GBG



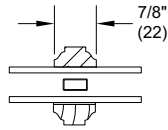
5/8" SDL



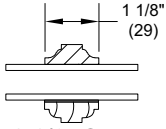
5/8" SDL
W/Spacer



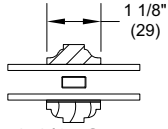
7/8" SDL



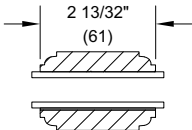
7/8" SDL
W/Spacer Bar



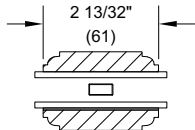
1 1/8" SDL



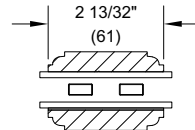
1 1/8" SDL
W/Spacer Bar



2 13/32" SDL

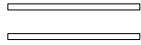


2 13/32" SDL
W/One Spacer Bar

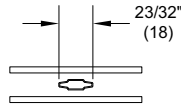


2 13/32" SDL
W/Two Spacer Bar

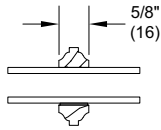
Optional Interior Square Simulated Divided Lite



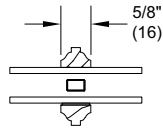
Insulating Glass



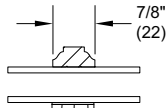
Aluminum 23/32"
Contour GBG



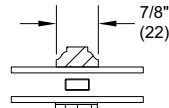
5/8" SDL



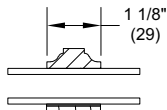
5/8" SDL
W/Spacer



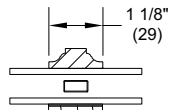
7/8" SDL



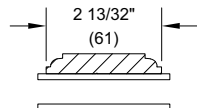
7/8" SDL
W/Spacer Bar



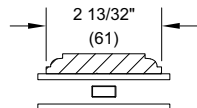
1 1/8" SDL



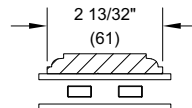
1 1/8" SDL
W/Spacer Bar



2 13/32" SDL



2 13/32" SDL
W/One Spacer Bar



2 13/32" SDL
W/Two Spacer Bar

Standard Unit Measurements: 1 3/4" and 2 1/4" Doors

Ultimate Commercial Door Unit Measurements													
Width													
Unit Type	Call Number	Masonry Opening		Rough Opening		Frame Size		Panel OM		Daylight Opening		Glass Size	
		ft - in	mm	ft - in	mm	ft - in	mm	ft-in	mm	ft - in	mm	ft-in	mm
Sidelite	1-6	1-11 1/4	(591)	1-9 1/8	(537)	1-8 1/8	(511)	1-5 3/4	(451)	1-1 1/4	(337)	1-2 9/16	(370)
1 Panel	3-0	3-5 9/32	(1049)	3-3 5/32	(995)	3-2 5/32	(969)	2-11 13/16	(910)	1-11 27/32	(606)	2-1 5/32	(639)
	3-6	3-11 9/32	(1201)	3-9 5/32	(1147)	3-8 5/32	(1122)	3-5 13/16	(1062)	2-5 27/32	(758)	2-7 5/32	(791)
2 Panel	6-0	6-5 19/64	(1963)	6-3 11/64	(1909)	6-2 11/64	(1884)	2-11 13/16	(910)	1-11 27/32	(606)	2-1 5/32	(639)
	7-0	7-5 19/64	(2268)	7-3 11/64	(2214)	7-2 11/64	(2189)	3-5 13/16	(1062)	2-5 27/32	(758)	2-7 5/32	(791)
Height													
Unit Type	Call Number	Masonry Opening		Rough Opening		Frame Size		Panel OM		Daylight Opening		Glass Size	
		ft - in	mm	ft - in	mm	ft - in	mm	ft-in	mm	ft - in	mm	ft - in	mm
All Configurations	7-0	7-2 5/8	(2200)	7-1 9/16	(2173)	7-1 1/16	(2161)	6-11	(2108)	5-5 5/8	(1667)	5-6 15/16	(1700)
	8-0	8-2 5/8	(2505)	8-1 9/16	(2478)	8-1 1/16	(2465)	7-11	(2413)	6-5 5/8	(1972)	6-6 15/16	(2005)

Ultimate Commercial Door 2 1/4" Unit Measurements													
Width													
Unit Type	Call Number	Masonry Opening		Rough Opening		Frame Size		Panel OM		Daylight Opening		Glass Size	
		ft - in	mm	ft - in	mm	ft - in	mm	ft-in	mm	ft - in	mm	ft-in	mm
Sidelite	1-6	1-11 1/4	(591)	1-9 1/8	(537)	1-8 1/8	(511)	1-5 3/4	(451)	0-11 25/32	(299)	1-1 3/32	(333)
1 Panel	3-0	3-5 9/32	(1049)	3-3 5/32	(995)	3-2 5/32	(969)	2-11 13/16	(910)	1-11 27/32	(606)	2-1 5/32	(639)
	3-6	3-11 9/32	(1201)	3-9 5/32	(1147)	3-8 5/32	(1122)	3-5 13/16	(1062)	2-5 27/32	(758)	2-7 5/32	(792)
	4-0	4-5 9/32	(1353)	4-3 5/32	(1299)	4-2 5/32	(1274)	3-11 13/16	(1215)	2-11 27/32	(911)	3-1 5/32	(944)
2 Panel	6-0	6-5 19/64	(1963)	6-3 11/64	(1909)	6-2 11/64	(1884)	2-11 13/16	(910)	1-11 27/32	(606)	2-1 5/32	(639)
	7-0	7-5 19/64	(2268)	7-3 11/64	(2214)	7-2 11/64	(2189)	3-5 13/16	(1062)	2-5 27/32	(758)	2-7 5/32	(791)
	8-0	8-5 19/64	(2573)	8-3 11/64	(2519)	8-2 11/64	(2494)	3-11 13/16	(1214)	2-11 27/32	(910)	3-1 5/32	(944)
Height													
Unit Type	Call Number	Masonry Opening		Rough Opening		Frame Size		Panel OM		Daylight Opening		Glass Size	
		ft - in	mm	ft - in	mm	ft - in	mm	ft-in	mm	ft - in	mm	ft - in	mm
All Configurations	7-0	7-2 5/8	(2200)	7-1 9/16	(2173)	7-1 1/16	(2161)	6-11	(2108)	5-3 31/64	(1613)	5-4 51/64	(1646)
	8-0	8-2 5/8	(2505)	8-1 9/16	(2478)	8-1 1/16	(2465)	7-11	(2413)	6-3 31/64	(1917)	6-4 51/64	(1951)
	10-0	10-2 5/8	(3115)	10-1 9/16	(3088)	10-1 1/16	(3075)	9-11	(3023)	8-3 31/64	(2527)	8-4 51/64	(2560)

NOTE: Rough Opening and Masonry Opening height may vary according to sill type applied by others.

Standard Unit Measurements: Ultimate Direct Glaze and In-Sash Transoms

Ultimate Wood Commercial Direct Glaze											
Transom Width											
Unit Type	Call Number	Masonry Opening		Rough Opening		Frame Size		Daylight Opening		Glass Size	
		ft-in	mm	ft-in	mm	ft-in	mm	ft-in	mm	in	mm
1 Lite Direct Glaze Transom Commercial Door	3-0	3-5 5/16	(1049)	3-3 3/16	(995)	3-2 3/16	(969)	2-10 1/4	(869)	35 19/32	(904)
	3-6	3-11 5/16	(1201)	3-9 3/16	(1147)	3-8 3/16	(1122)	3-4 1/4	(1022)	41 19/32	(1057)
	6-0	6-5 5/16	(1963)	6-3 3/16	(1909)	6-2 3/16	(1884)	5-10 1/4	(1784)	71 5/8	(1819)
	7-0	7-5 5/16	(2268)	7-3 3/16	(2214)	7-2 3/16	(2189)	6-10 1/4	(2089)	83 5/8	(2124)
Height											
Unit Type	Call Number	Masonry Opening		Rough Opening		Frame Size		Daylight Opening		Glass Size	
		ft-in	mm	ft-in	mm	ft-in	mm	ft-in	mm	in	mm
All Configurations	1-0	1-2 1/4	(362)	1-0 1/2	(318)	1-0	(305)	0-8 1/16	(205)	9 7/16	(240)
	1-2	1-4 1/4	(413)	1-2 1/2	(368)	1-2	(356)	0-10 1/16	(256)	11 7/16	(291)
	1-6	1-8 1/4	(514)	1-6 1/2	(470)	1-6	(457)	1-2 1/16	(357)	15 7/16	(392)

Standard Measurements for Ultimate Direct Glaze and In-Sash Transoms for Commercial Units													
Width													
Unit Type	Call Number	Masonry Opening		Rough Opening		Frame Size		Panel OM		Daylight Opening		Glass Size	
		ft - in	mm	ft - in	mm	ft - in	mm	ft-in	mm	ft - in	mm	ft-in	mm
1 Sash	3-0	3-5 9/32	(1049)	3-3 5/32	(995)	3-2 5/32	(969)	2-11 13/16	(910)	1-11 27/32	(606)	2-1 5/32	(639)
	3-6	3-11 9/32	(1201)	3-9 5/32	(1147)	3-8 5/32	(1122)	3-5 13/16	(1062)	2-5 27/32	(758)	2-7 5/32	(791)
	4-0	4-5 9/32	(1353)	4-3 5/32	(1299)	4-2 5/32	(1274)	3-11 13/16	(1215)	2-11 27/32	(911)	3-1 5/32	(944)
2 Sash	6-0	6-5 19/64	(1963)	6-3 11/64	(1909)	6-2 11/64	(1884)	2-11 13/16	(910)	1-11 27/32	(606)	2-1 5/32	(639)
	7-0	7-5 19/64	(2268)	7-3 11/64	(2214)	7-2 11/64	(2189)	3-5 13/16	(1062)	2-5 27/32	(758)	2-7 5/32	(791)
	8-0	8-5 19/64	(2573)	8-3 11/64	(2519)	8-2 11/64	(2494)	3-11 13/16	(1215)	2-11 27/32	(911)	3-1 5/32	(944)
Height													
Unit Type	Call Number	Masonry Opening		Rough Opening		Frame Size		Panel OM		Daylight Opening		Glass Size	
		ft - in	mm	ft - in	mm	ft - in	mm	ft-in	mm	ft - in	mm	ft - in	mm
In-Sash Configurations	1-6	1-7 9/16	(497)	1-6 1/2	(470)	1-6	(457)	1-3 5/16	(389)	0-9 5/16	(237)	0-10 5/8	(270)
	2-0	2-1 9/16	(649)	2-0 1/2	(622)	2-0	(610)	1-9 5/16	(541)	1-3 5/16	(389)	1-4 5/8	(422)
	2-6	2-7 9/16	(802)	2-6 1/2	(775)	2-6	(762)	2-3 5/16	(694)	1-9 5/16	(541)	1-10 5/8	(575)

NOTE: 4-0 and 8-0 Sizes are only available with 2 1/4" Commercial Doors.

Minimum and Maximum Guidelines: Doors and In-Sash Transoms

Minimum and Maximum Guidelines for UWCD								
Unit Type	Min Frame Size Unit				Max Frame Size Unit			
	Width		Height		Width		Height	
	in	mm	in	mm	in	mm	in	mm
Sidelight	14 5/16	(364)	24 1/8	(613)	20 1/8	(511)	97 1/16	(2465)
1 - Panel Stationary	20 9/32	(515)	24 1/8	(613)	44 3/16	(1122)	97 1/16	(2465)
1 - Panel Operator	20 9/32	(515)	40 1/16	(1018)	44 3/16	(1122)	97 1/16	(2465)
2 - Panel Stationary	38 27/64	(976)	24 1/8	(613)	86 3/16	(2189)	97 1/16	(2465)
2 - Panel Operator	38 27/64	(976)	40 1/16	(1018)	86 3/16	(2189)	97 1/16	(2465)

Ultimate Wood Commercial Door Extended Sizes				
Unit Type	Min Frame Size Unit			
	Width		Height	
	in	mm	in	mm
Sidelight	53 15/32	(1358)	112 9/16	(2859)
1 - Panel Stationary	56 15/32	(1434)	112 9/16	(2859)
1 - Panel Operator	50 11/32	(1279)	112 9/16	(2859)
2 - Panel Stationary	104 51/64	(2662)	112 9/16	(2859)
2 - Panel Operator	98 35/64	(2503)	112 9/16	(2859)

NOTE: Maximum Square Footage 25 (635) Sq. Ft. of glass per Panel.

Minimum and Maximum Guidelines for UWCD 2.25inch								
Unit Type	Min Frame Size Unit				Max Frame Size Unit			
	Width		Height		Width		Height	
	in	mm	in	mm	in	mm	in	mm
Sidelight	14 5/16	(364)	26 17/64	(667)	20 1/8	(511)	121 1/16	(3075)
1 - Panel Stationary	20 9/32	(515)	26 17/64	(667)	50 3/16	(1275)	121 1/16	(3075)
1 - Panel Operator	20 9/32	(515)	40 1/16	(1018)	50 3/16	(1275)	121 1/16	(3075)
2 - Panel Stationary	38 27/64	(976)	26 17/64	(667)	98 3/16	(2494)	97 1/16	(2465)
2 - Panel Operator	38 27/64	(976)	40 1/16	(1018)	98 3/16	(2494)	121 1/16	(3075)

Ultimate Wood 2.25" Commercial Door Extended Sizes				
Unit Type	Min Frame Size Unit			
	Width		Height	
	in	mm	in	mm
Sidelight	57 11/32	(1457)	121 1/16	(3075)
1 - Panel Stationary	57 11/32	(1457)	121 1/16	(3075)
1 - Panel Operator	50 11/32	(1279)	121 1/16	(3075)
2 - Panel Stationary	112 35/64	(2859)	121 1/16	(3075)
2 - Panel Operator	98 35/64	(2503)	121 1/16	(3075)

NOTE: Maximum Square Footage 60.99 (1778) Sq. Ft. of glass per Panel.

Minimum and Maximum Guidelines for Transoms								
Unit Type	Min Frame Size Unit				Max Frame Size Unit			
	Width		Height		Width		Height	
	in	mm	in	mm	in	mm	in	mm
1 Frame 1 Sash	20 9/32	(515)	11 3/8	(289)	44 3/16	(1122)	30	(762)
1 Frame 2 Sash	38 27/64	(976)	11 3/8	(289)	86 3/16	(2189)	30	(762)

Transom Extended Sizes				
Unit Type	Min Frame Size Unit			
	Width		Height	
	in	mm	in	mm
1 Frame 1 Sash	98 11/64	(2494)	50 11/16	(1287)
1 Frame 2 Sash	191	(4851)	50 11/16	(1287)

Minimum and Maximum Guidelines: Ultimate Wood Direct Glaze Rectangles / Transoms

Minimum Guidelines - Ultimate Wood Direct Glaze Rectangles / Transoms				
Unit Type	Min Width		Min Height	
	in	mm	in	mm
Single Glaze	6 9/16	(167)	7 1/2	(191)
Insulating Glass	6 9/16	(167)	7 1/2	(191)

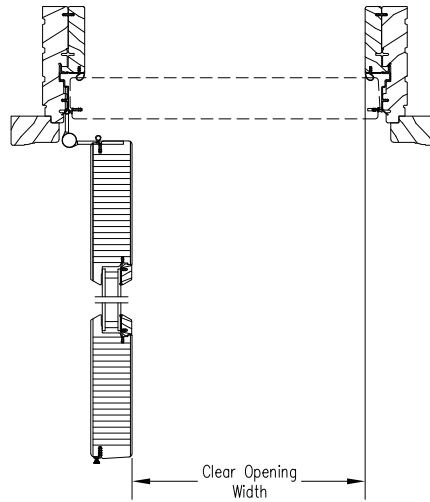
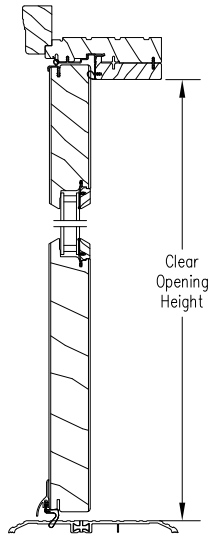
Maximum Guidelines - Ultimate Wood Direct Glaze Rectangles / Transoms					
Unit Type	Max Width		Max Height		
	in	mm	in	mm	
Single Glaze	Certified Frame Size				
	84	(2134)	87	(2210)	
	97 15/16	(2488)	74	(1880)	
	87	(2210)	84	(2134)	
	74	(1880)	97 15/16	(2488)	
	Non-Certified Sizes				
	145 9/16	(3697)	53 7/8	(1368)	
	90 1/2	(2299)	86 1/16	(2186)	
	86 1/16	(2186)	90 1/2	(2299)	
	53 7/8	(1368)	145 9/16	(3697)	
	Insulating Glass	Certified Size			
		84	(2134)	97 15/16	(2488)
97 15/16		(2488)	84	(2134)	
Non-Certified Sizes					
145 9/16		(3697)	63 15/16	(1624)	
107 3/4		(2737)	86 1/16	(2186)	
86 1/16		(2186)	107 3/4	(2737)	
63 15/16		(1624)	145 9/16	(3697)	

Net Clear Openings

Scale: 1 1/2" = 1'

Net Clear Opening Ultimate Wood Commercial Door			
Width			
Unit Type	Call Number	Net Clear Openings	
		ft-in	mm
1 Panel	3-0	2-8 55/64	(835)
	3-6	3-2 55/64	(987)
2 Panel	6-0	5-7 5/64	(1704)
	7-0	6-7 5/64	(2008)
Height			
Unit Type	Call Number	Net Clear Openings	
		ft - in	mm
All Configurations	7-0	6-10 13/16	(2103)
	8-0	7-10 13/16	(2408)

Net Clear Opening Ultimate Wood Commercial Door 2 1/4"			
Width			
Unit Type	Call Number	Net Clear Openings	
		ft-in	mm
1 Panel	3-0	2-8 11/32	(822)
	3-6	3-2 11/32	(974)
	4-0	3-8 11/32	(1126)
2 Panel	6-0	5-6 3/64	(1678)
	7-0	6-6 3/64	(1983)
	8-0	7-6 3/64	(2287)
Height			
Unit Type	Call Number	Net Clear Openings	
		ft - in	mm
All Configurations	7-0	6-10 13/16	(2103)
	8-0	7-10 13/16	(2408)
	10-0	9-10 13/16	(3018)



Measurements Conversions

1 3/4" Door Unit Measurements		Width				Height	
From	To						
Rough Opening		in	mm			in	mm
OM of Frame	Rough Opening	+ 1	(25)			+ 1/2	(13)
Masonry Opening w/BMC	Rough Opening	-2 1/8	(54)			-1 1/16	(27)
Operating Panel		in	mm			in	mm
OM of Frame	OM of Sidelite	-2 3/8	(60)			-2 1/16	(52)
OM of Frame	OM of Panel (x1)	-2 11/32	(59)			-2 1/16	(52)
OM of Frame	OM of Panel (x2)	-2 35/64	(65)	÷	2	-2 1/16	(52)
Daylight Opening	Om of Sidelite	+ 5 31/32	(152)			+ 17 3/8	(441)
Daylight Opening	OM of Panel	+ 11 31/32	(304)			+ 17 3/8	(441)
Glass		in	mm			in	mm
Daylight Opening	Glass	+ 1 5/16	(33)			+ 1 5/16	(33)

2 1/4" Door Unit Measurements		Width				Height	
From	To						
Rough Opening		in	mm			in	mm
OM of Frame	Rough Opening	+ 1	(25)			+ 1/2	(13)
Masonry Opening	Rough Opening	+ 1/2	(13)			+ 1/4	(06)
Masonry Opening w/BMC	Rough Opening	-2 1/8	(54)			-1 1/16	(27)
Masonry Opening w/Flat Casing	Rough Opening	-5 1/2	(140)			-2 3/4	(70)
Operating Panel		in	mm			in	mm
OM of Frame	OM of Sidelite	-2 3/8	(60)			-2 1/16	(52)
OM of Frame	OM of Panel (x1)	-2 11/32	(59)			-2 1/16	(52)
OM of Frame	OM of Panel (x2)	-2 35/64	(65)	÷	2	-2 1/16	(52)
Daylight Opening	Om of Sidelite	+ 5 31/32	(152)			+ 19 1/2	(495)
Daylight Opening	OM of Panel	+ 11 31/32	(304)			+ 19 1/2	(495)
Glass		in	mm			in	mm
Daylight Opening	Glass	+ 1 5/16	(33)			+ 1 5/16	(33)

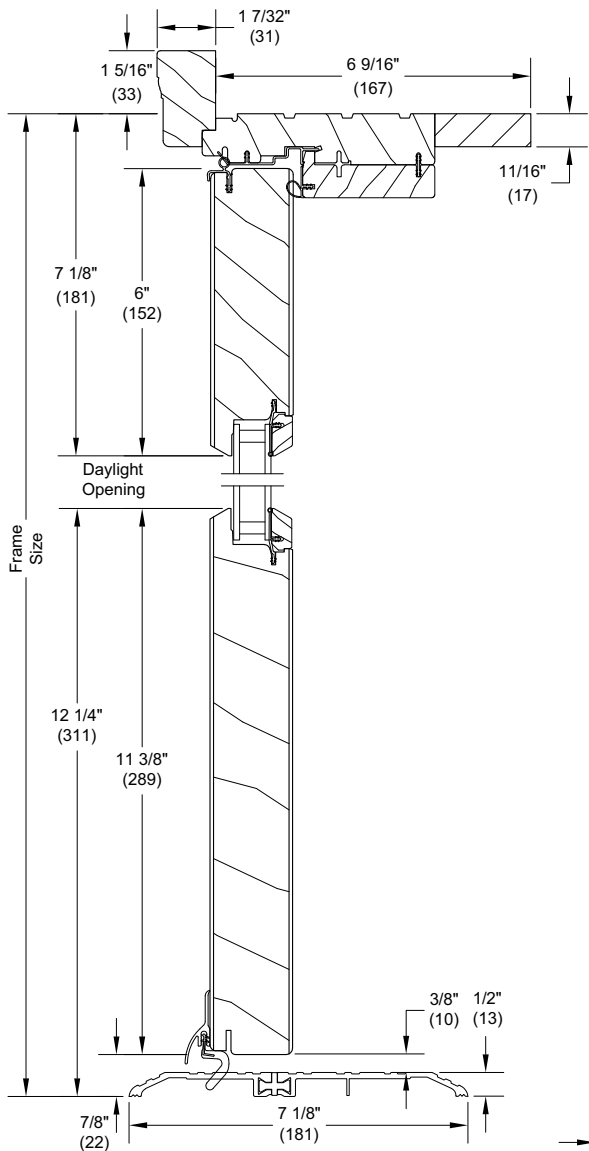
NOTE: The Ultimate Direct Glaze Door Transom Conversions are covered in the [Ultimate Wood Direct Glaze Polygon and Round Top Chapter](#)

Measurements Conversions

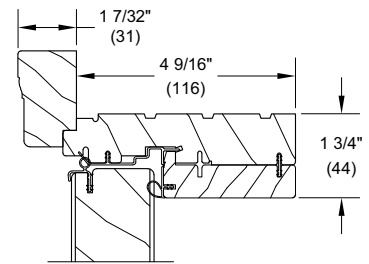
In-Sash Transom Unit Measurements		Width				Height	
From	To	in	mm			in	mm
Rough Opening		in	mm			in	mm
OM of Frame	Rough Opening	+ 1	(25)			+ 1/2	(13)
Masonry Opening w/BMC	Rough Opening	-2 1/8	(54)			-1 1/16	(27)
Stationary Sash		in	mm			in	mm
OM of Frame	OM of Sash (x1)	-2 11/32	(59)			-2 11/16	(68)
OM of Frame	OM of Sash (x2)	-2 35/64	(65)			-2 11/16	(68)
Daylight Opening	OM of Panel	+ 11 31/32	(304)			+ 6	(152)
Glass		in	mm			in	mm
Daylight Opening	Glass	+ 1 5/16	(33)			+ 1 5/16	(33)

1 3/4" Commercial Section Details: Operating

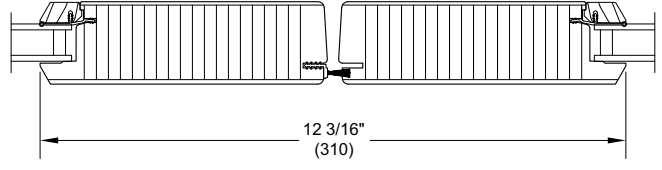
Scale: 3" = 1' 0"



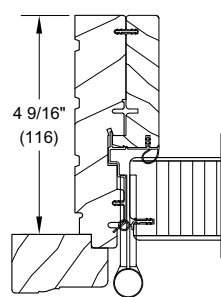
Head Jamb and Sill



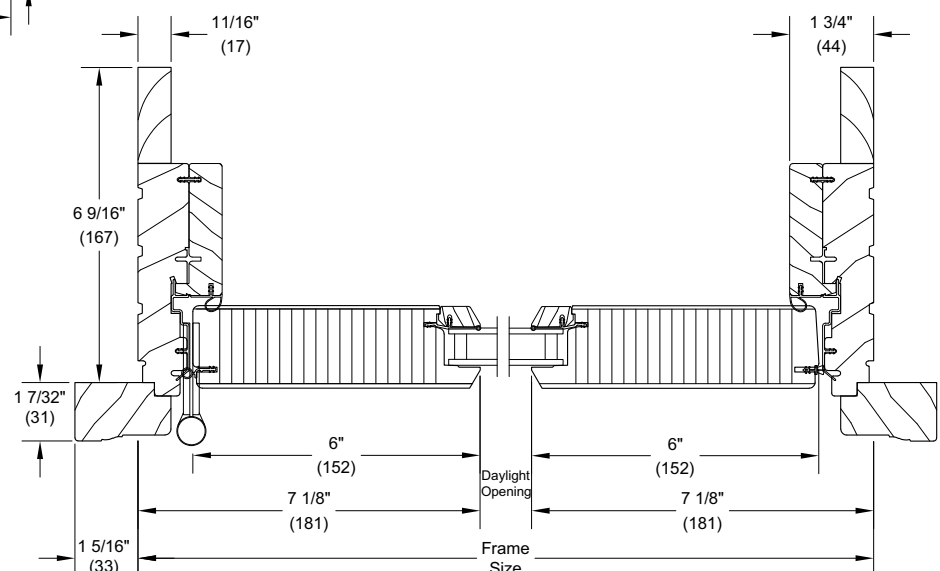
4 9/16" Head Jamb



XX - Meeting Stiles



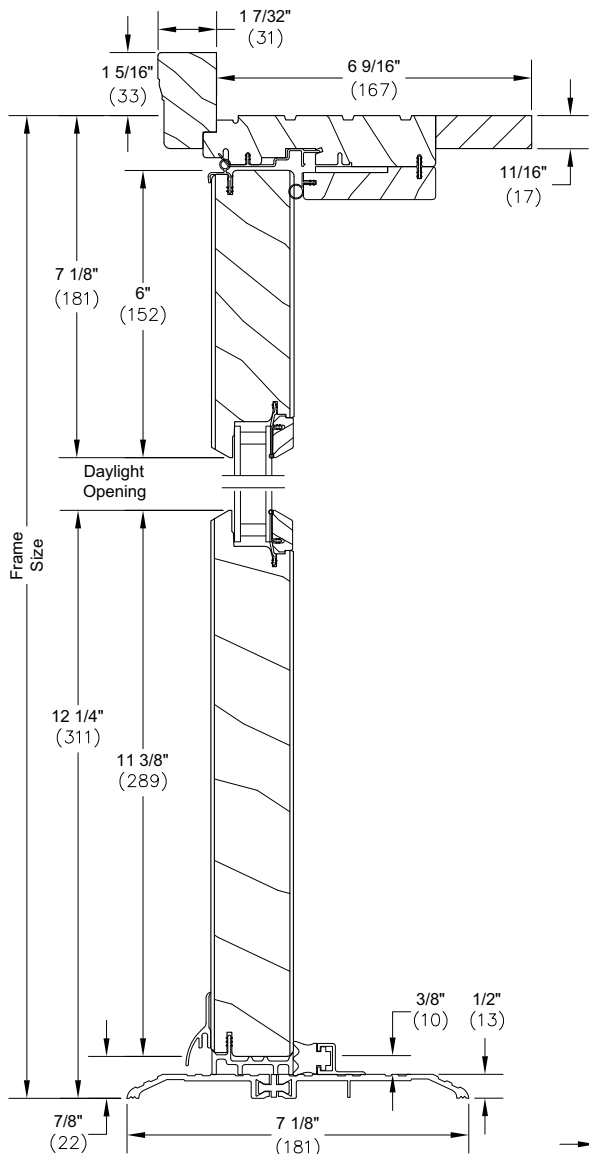
4 9/16" Jamb



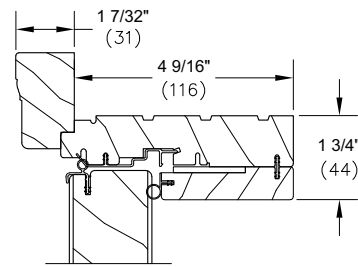
X - LHR - Jamb

1 3/4" Commercial Section Details: Stationary and Sidelite

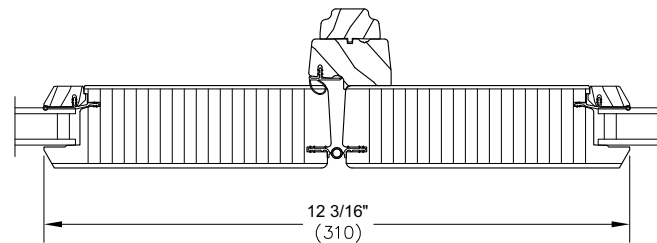
Scale: 3" = 1' 0"



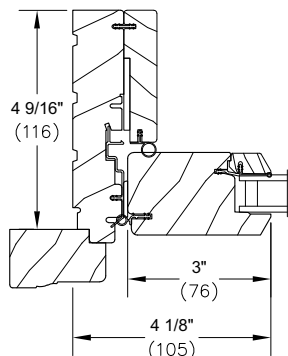
Head Jamb and Sill



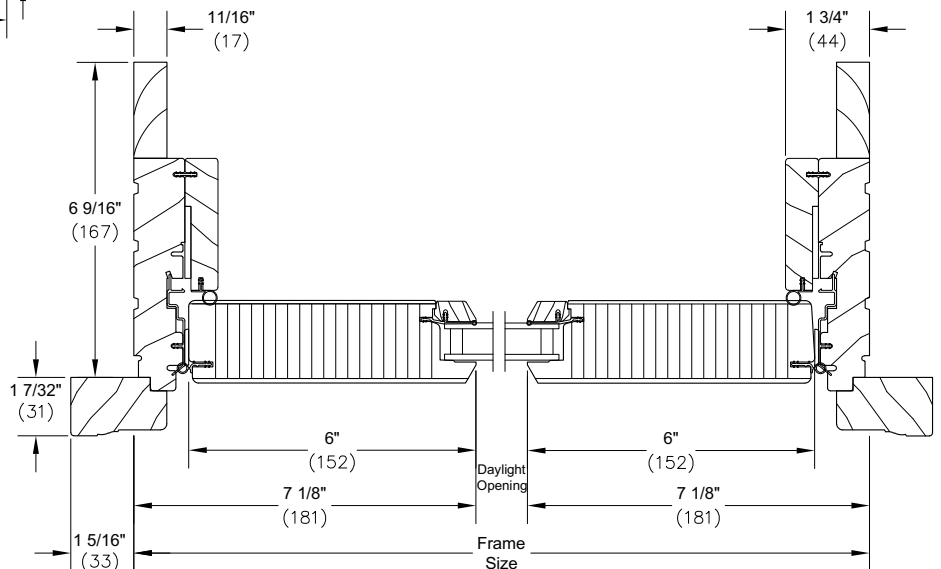
4 9/16" Head Jamb



OO - Meeting Stiles



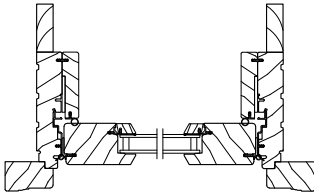
**O Jamb
3" Stile**



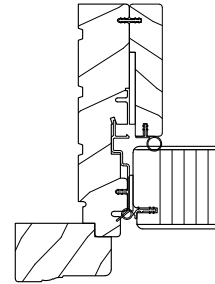
O - Jamb

1 3/4" Commercial Section Details: Panel Configurations

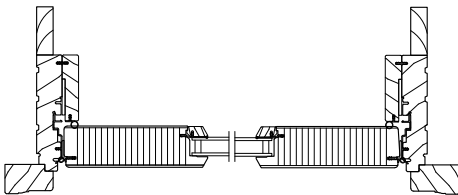
Scale: 1 1/2" = 1'



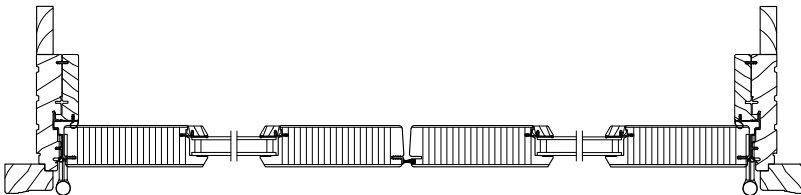
Sidelite Jamb



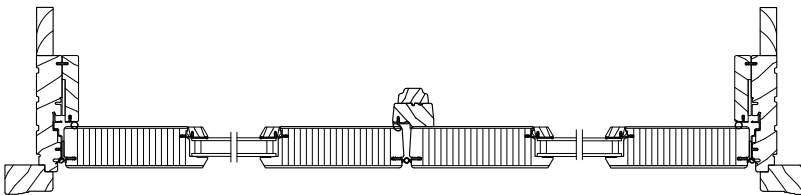
4 9/16" - Jamb
Scale: 3" = 1'-0"



O Jamb



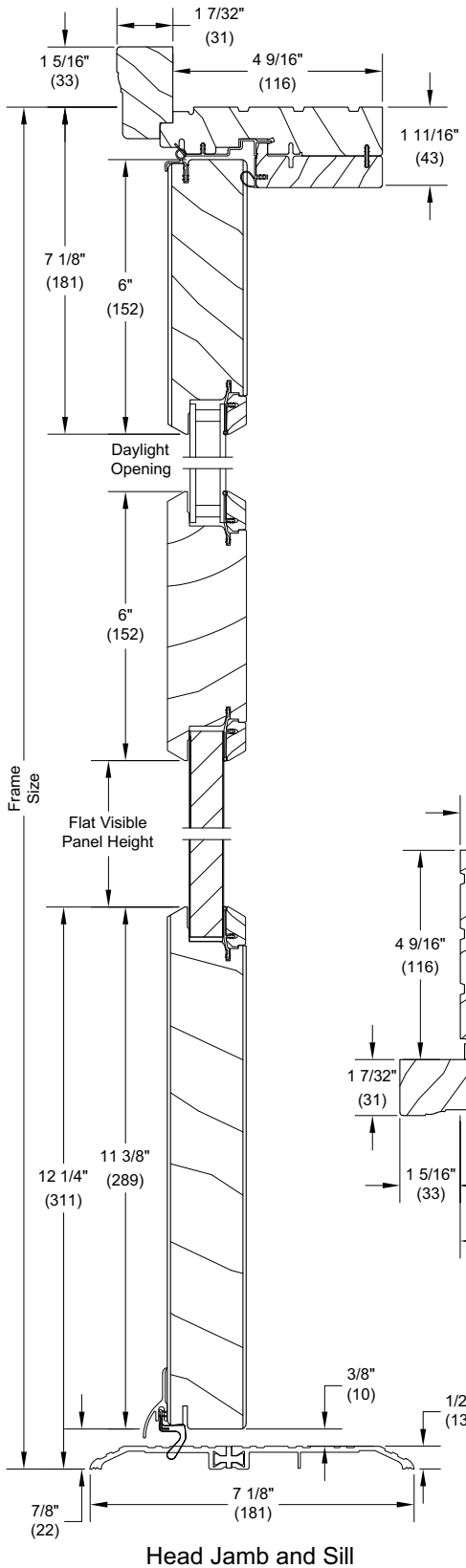
XX - RHRA Jamb



OO Jamb

1 3/4" Commercial Section Details: Flat Panel Placement

Scale: 3" = 1' 0"

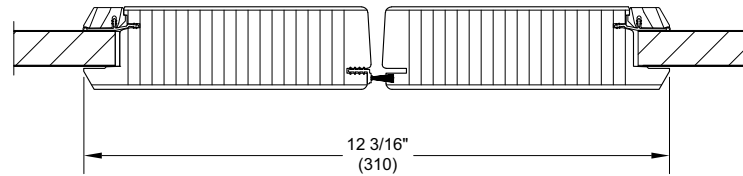


Flat Panel - Standard Configuration/ Low Placement

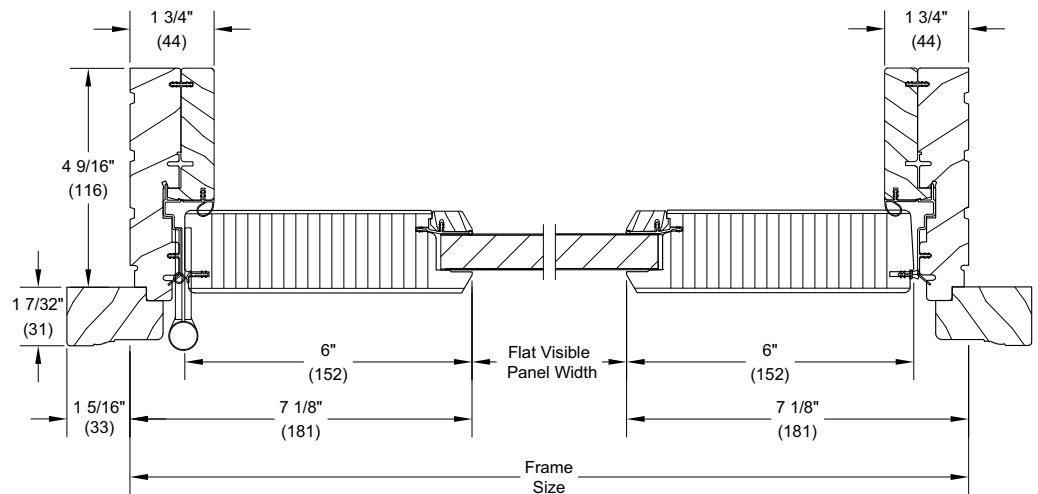
6" intermediate rail placed 26" (660) O.C. from bottom of the door sill with 10 13/16" (275) visible panel height.

Flat Panel - Standard Configuration/ High Placement

6" intermediate rail placed 40 5/16" (1024) O.C. from bottom of the door sill with 25 1/8" (638) visible panel height.



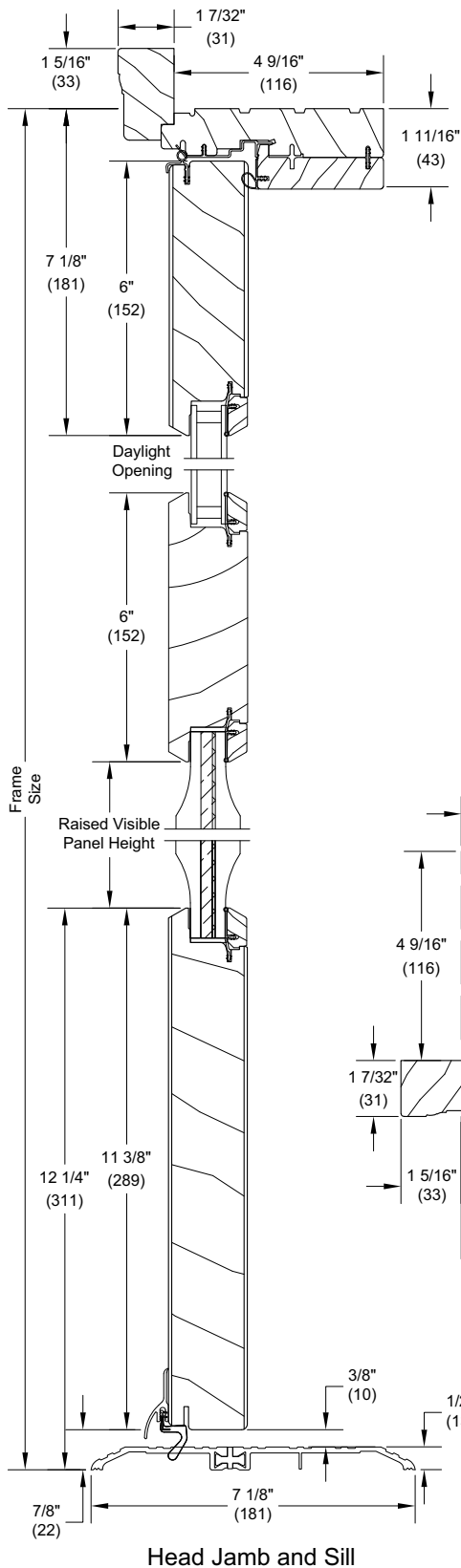
XX - Meeting Stiles



X - LHR - Jamb

1 3/4" Commercial Section Details: Raised Panel Placement

Scale: 3" = 1' 0"



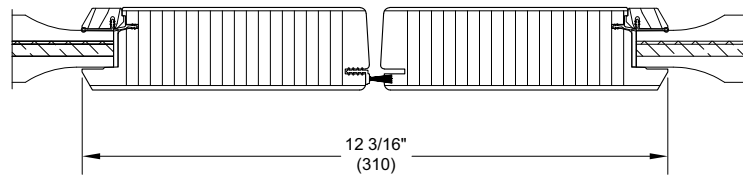
Head Jamb and Sill

Raised Panel - Standard Configuration / Low Placement

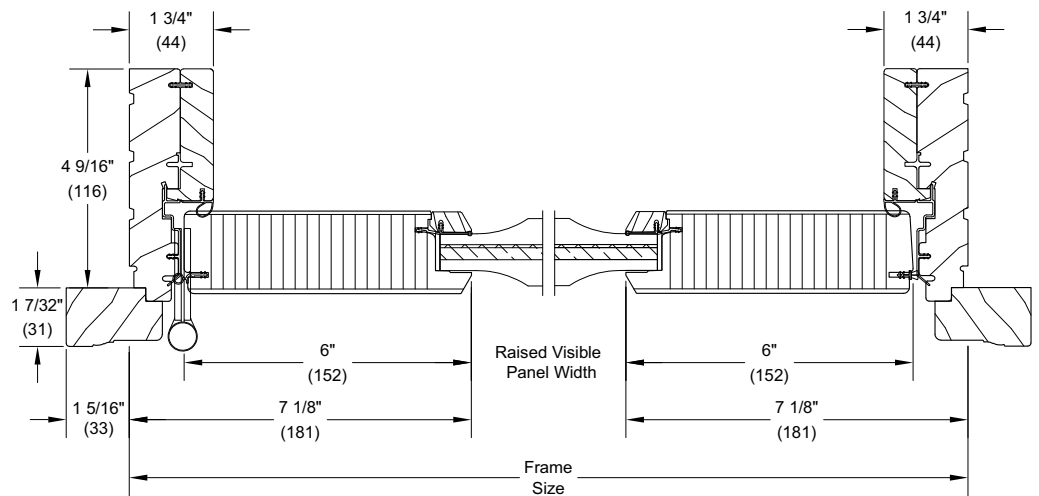
6" intermediate rail placed 26" (660) O.C. from bottom of the door sill with 10 13/16" (275) visible panel height.

Raised Panel - Standard Configuration / High Placement

6" intermediate rail placed 40 5/16" (1024) O.C. from bottom of the door sill with 25 1/8" (638) visible panel height.



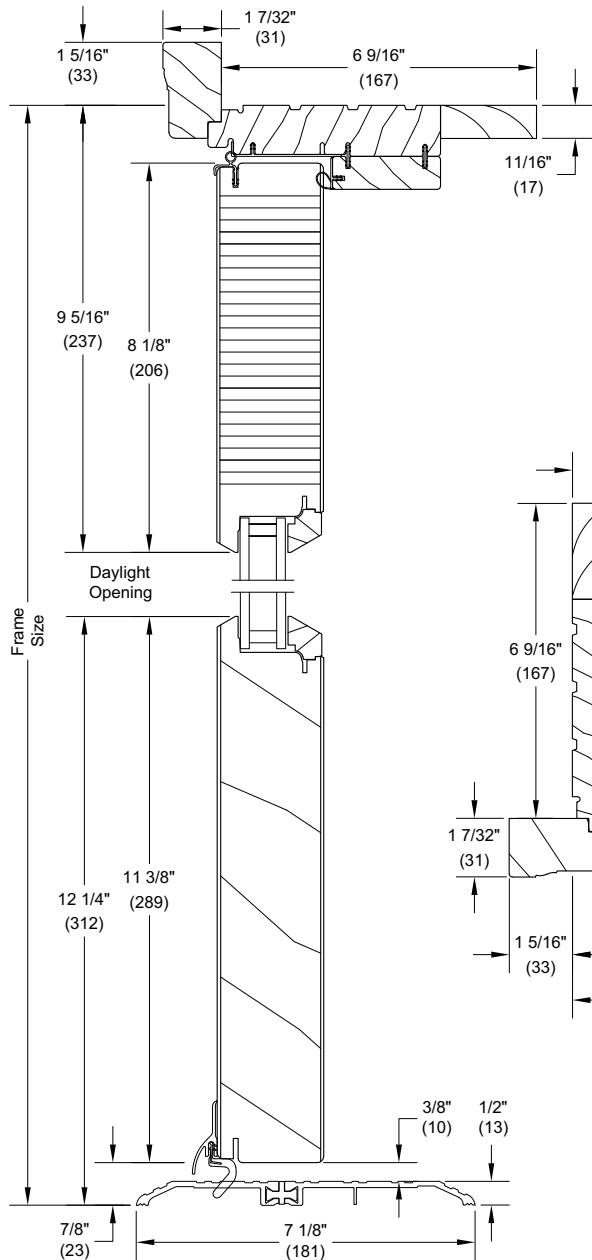
XX - Meeting Stiles



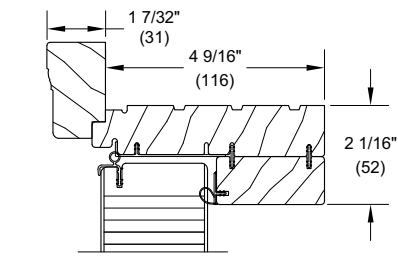
X - LHR - Jamb

2 1/4" Commercial Section Details: Operating

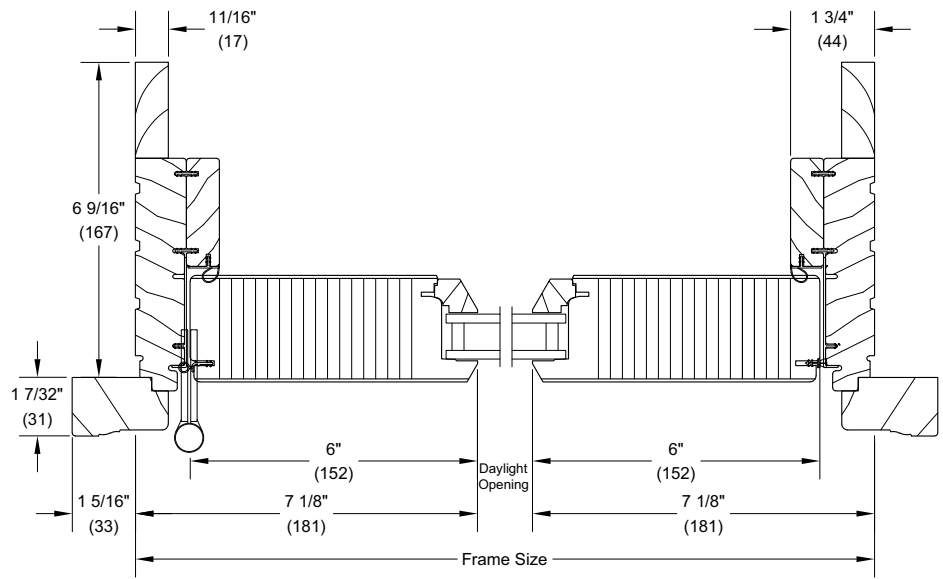
Scale: 3" = 1' 0"



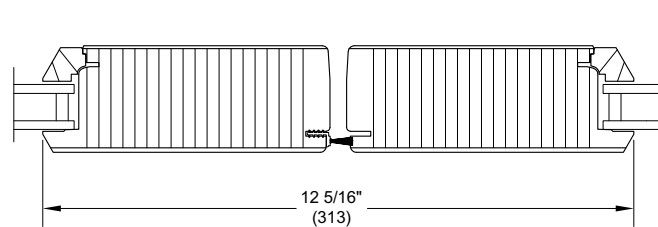
Head Jamb and Sill



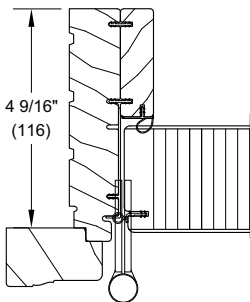
Head Jamb with Von Duprin 5547 Hardware Prep



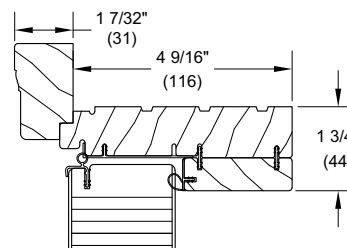
X - LHR - Jamb



XX - Meeting Stiles



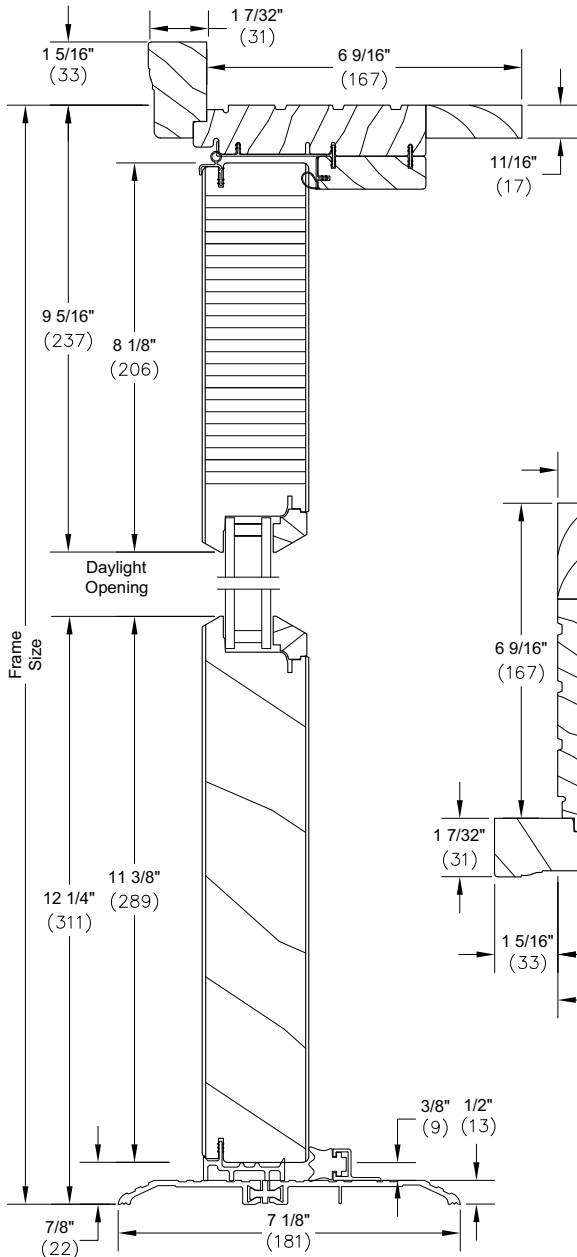
4 9/16" Jamb



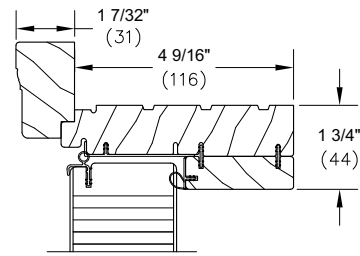
4 9/16" Head Jamb

2 1/4" Commercial Section Details: Stationary and Sidelite

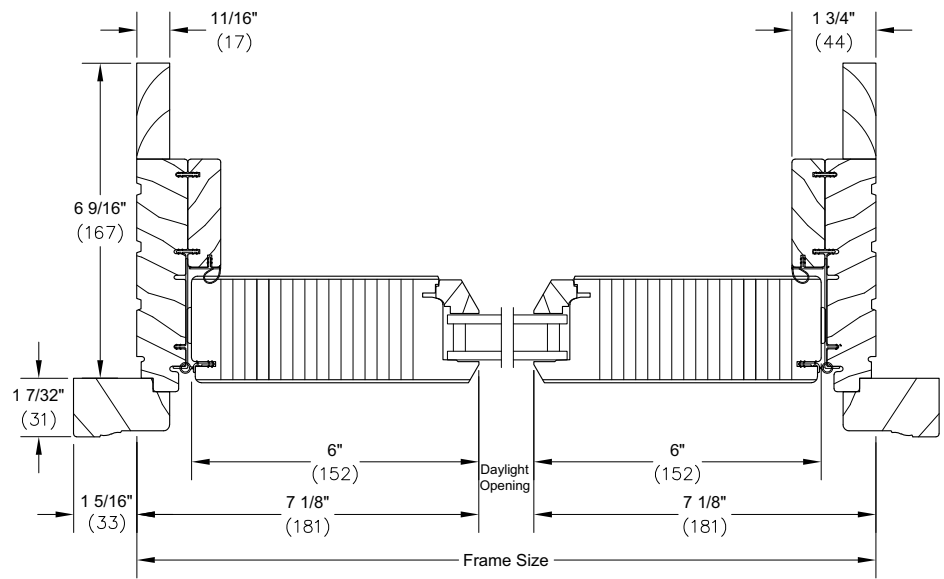
Scale: 3" = 1' 0"



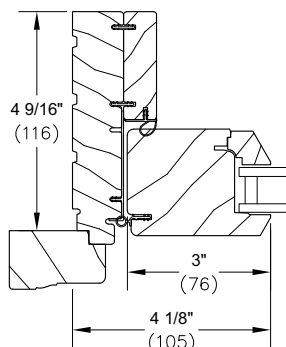
Head Jamb and Sill



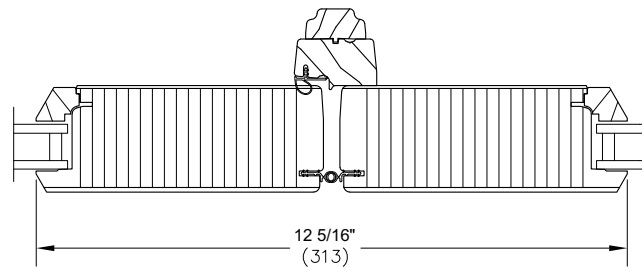
4 9/16" Head Jamb



O - Jamb



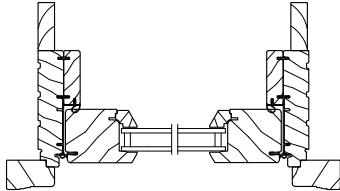
O Jamb 3" Stile



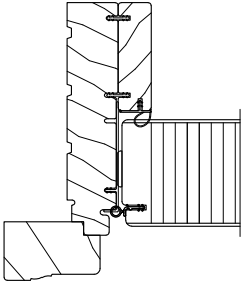
OO - Meeting Stiles

2 1/4" Commercial Section Details: Panel Configurations

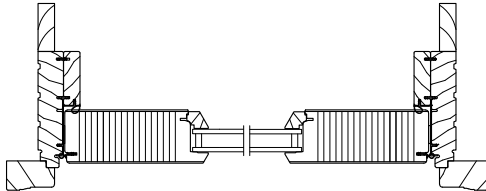
Scale: 1 1/2" = 1'



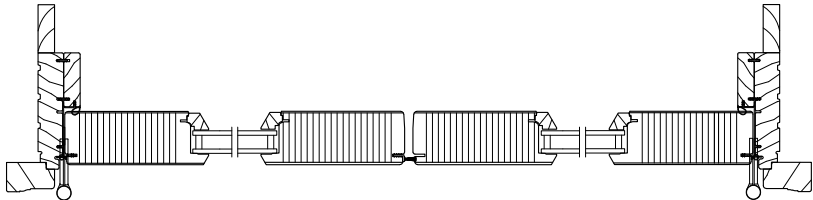
Sidelite Jamb



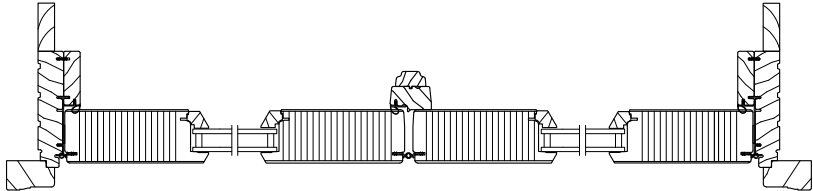
4 9/16" - Jamb
Scale: 3" = 1'-0"



O Jamb



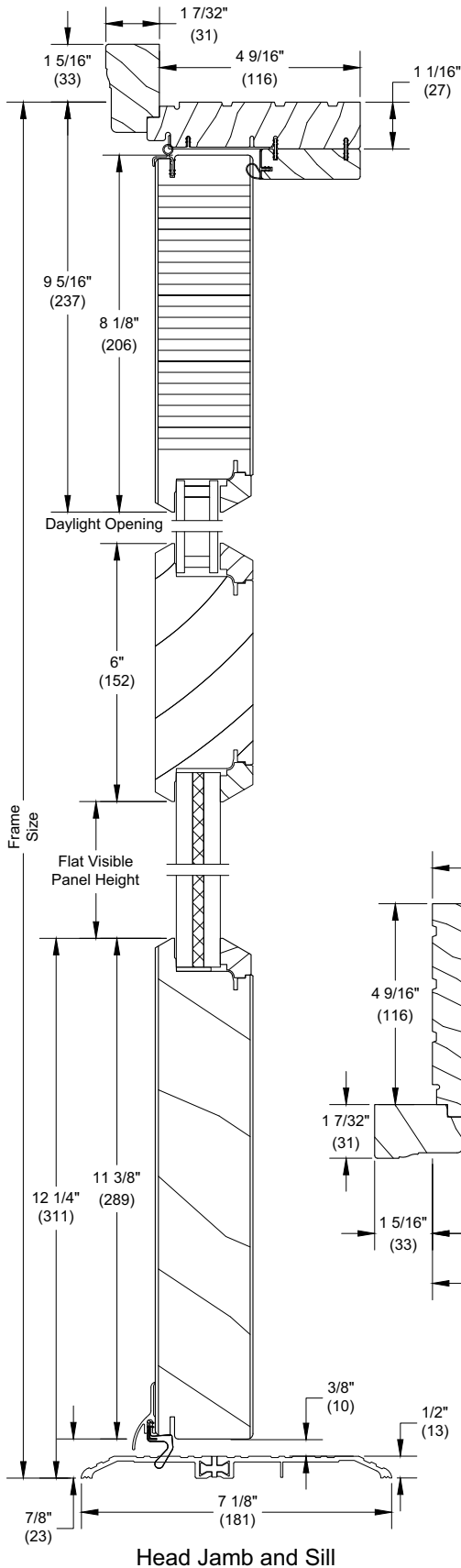
XX - RHRA Jamb



OO Jamb

2 1/4" Commercial Section Details: Flat Panel Placement

Scale: 3" = 1' 0"

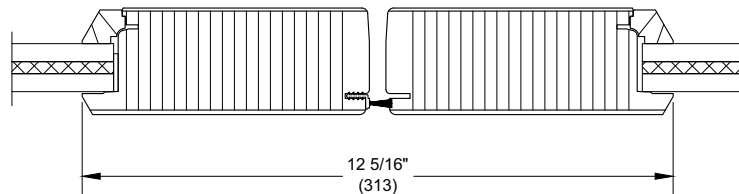


Flat Panel - Standard Configuration/ Low Placement

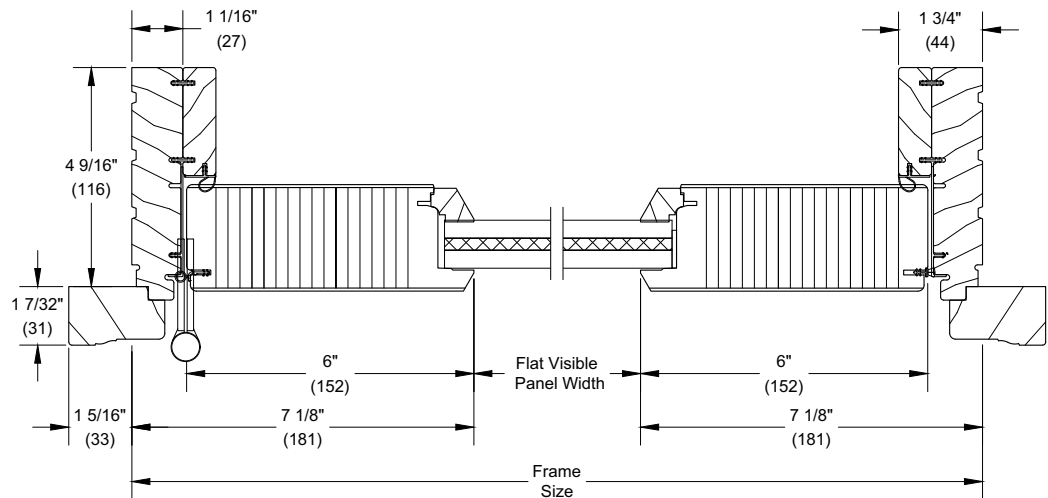
6" intermediate rail placed 26" (660) O.C. from bottom of the door sill with 10 13/16" (275) visible panel height.

Flat Panel - Standard Configuration/ High Placement

6" intermediate rail placed 40 5/16" (1024) O.C. from bottom of the door sill with 25 1/8" (638) visible panel height.



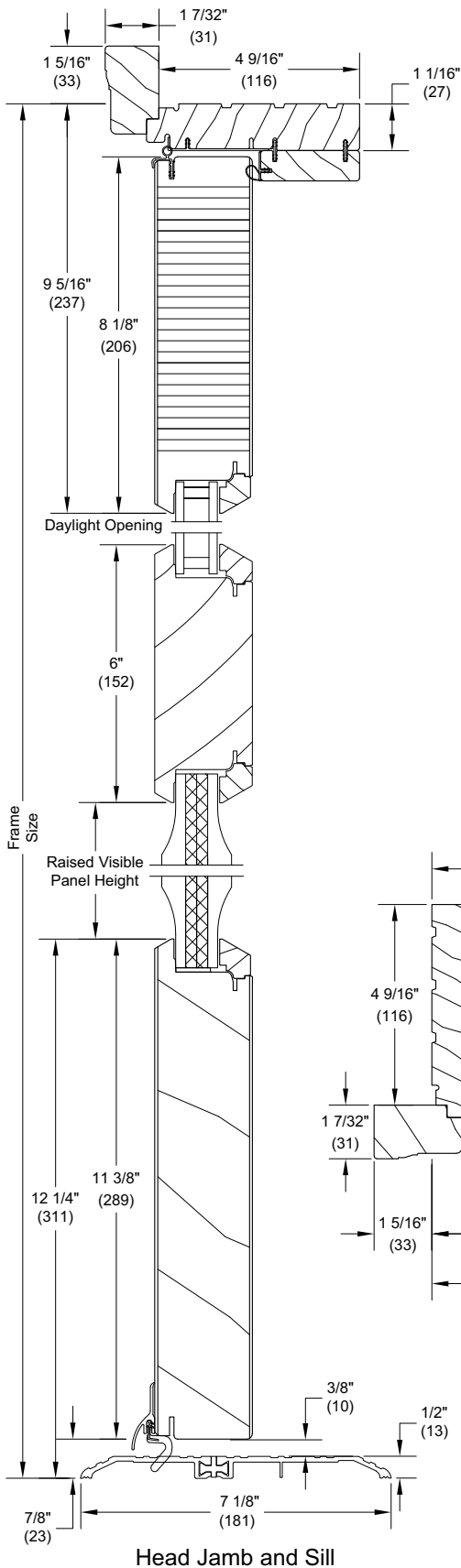
XX - Meeting Stiles



X - LHR - Jamb

2 1/4" Commercial Section Details: Raised Panel Placement

Scale: 3" = 1' 0"

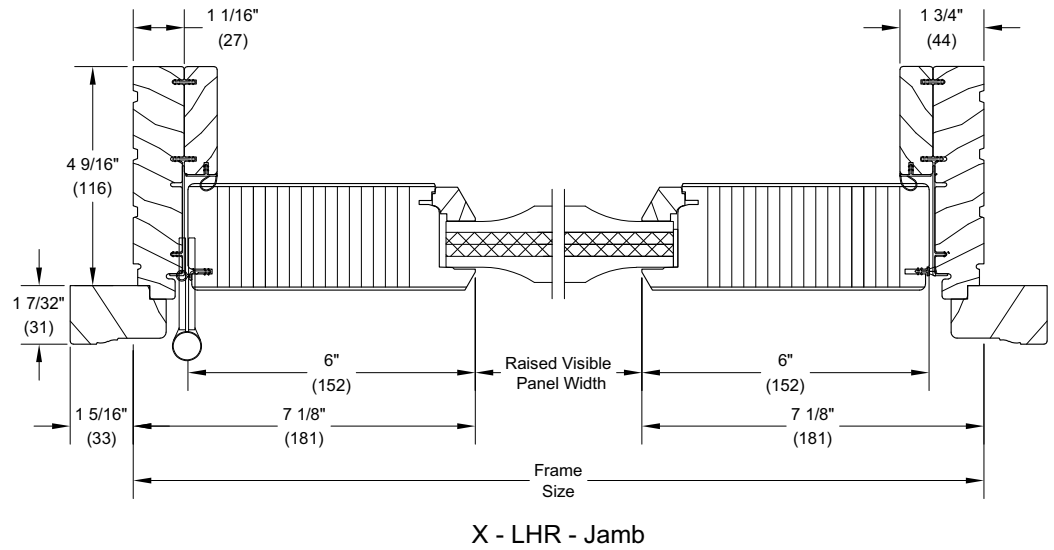
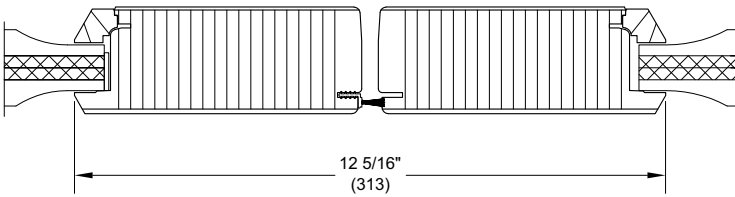


Raised Panel - Standard Configuration / Low Placement

6" intermediate rail placed 26" (660) O.C. from bottom of the door sill with 10 13/16" (275) visible panel height.

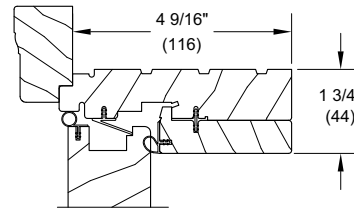
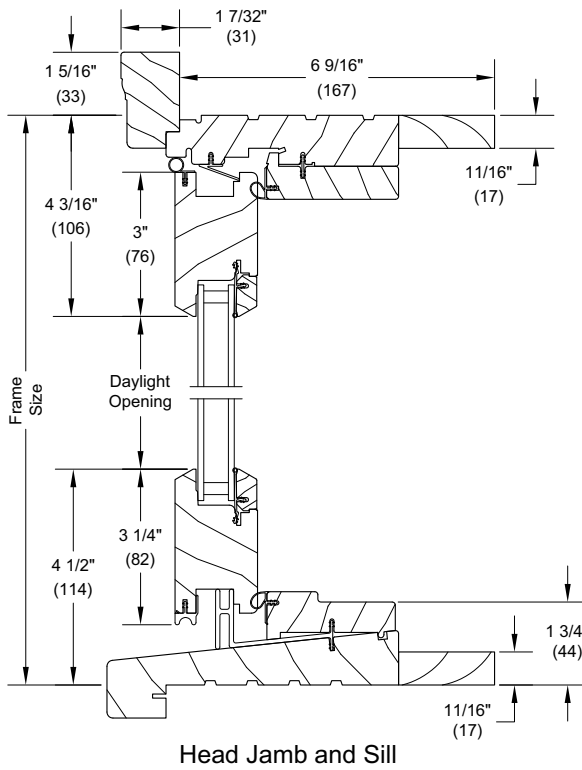
Raised Panel - Standard Configuration / High Placement

6" intermediate rail placed 40 5/16" (1024) O.C. from bottom of the door sill with 25 1/8" (638) visible panel height.

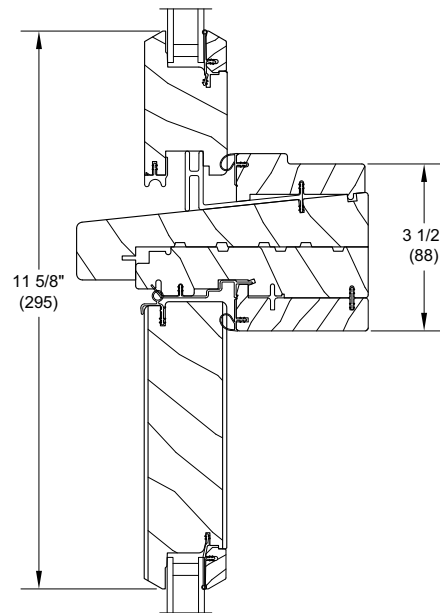


1 3/4" and 2 1/4" Commercial Section Details: In-Sash Transom

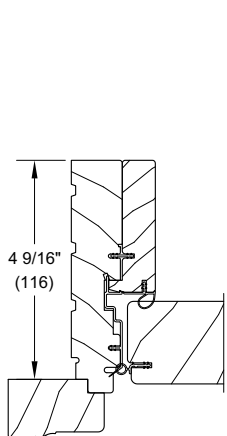
Scale: 3" = 1' 0"



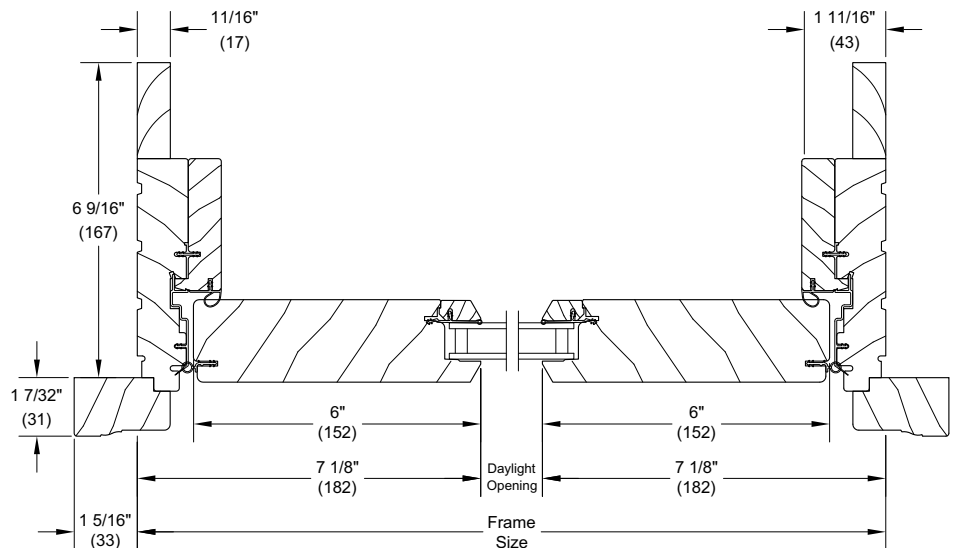
4 9/16" In-Sash Transom Head Jamb



Rectangular In-Sash Transom over Ultimate Wood Commercial Door w/ 6 9/16" Jamb



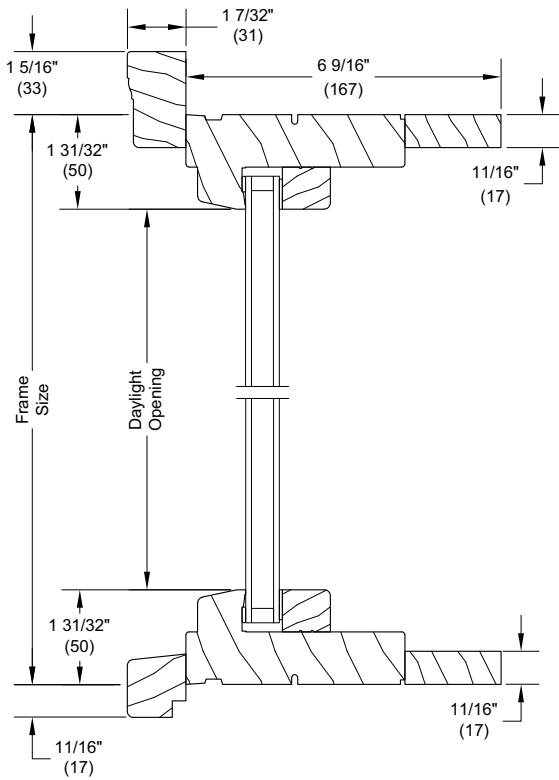
In-Sash Transom Jamb 3" Stile



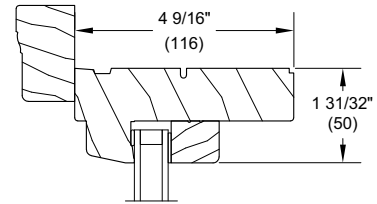
In-Sash Transom Jamb

1 3/4" and 2 1/4" Commercial Section Details: Direct Glaze Transom

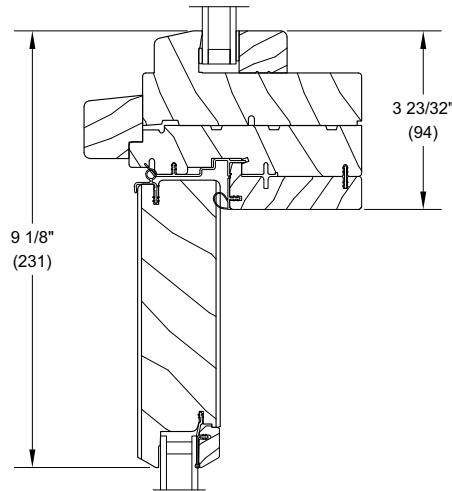
Scale: 3" = 1' 0"



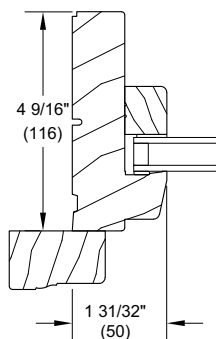
Head Jamb and Sill



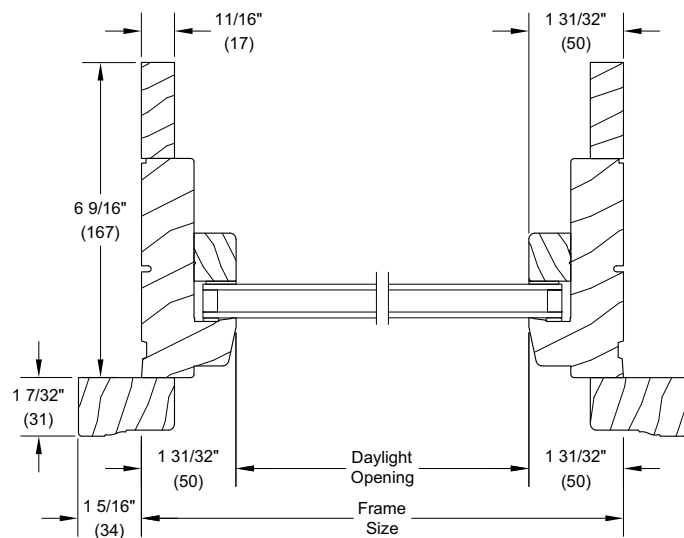
**Ultimate Direct Glaze
4 9/16" Head Jamb**



**Rectangular Ultimate Direct Glaze Transom
over Ultimate Commercial Door w/ 4 9/16" Jamb**



4 9/16" Side Jamb



Ultimate Direct Glaze Transom Jamb