

# Ultimate Casement, Awning and Picture

Unit Features.....	1
Egress and Vent Openings: Casement - Full and Narrow Frame.....	4
Daylight Measurements: Casement - Full and Narrow Frame.....	9
Vent Openings: Awning - Full and Narrow Frame.....	11
Daylight Measurement: Awning - Full and Narrow Frame.....	14
Daylight Measurement: Picture - Full and Narrow Frame.....	17
Minimum and Maximum Guidelines: Full Frame.....	19
Minimum and Maximum Guidelines: Narrow Frame.....	20
Minimum and Maximum Guidelines: IZ3 and IZ4.....	21
Certified Sizes and Ratings: Full and Narrow Frame.....	22
Certified Sizes and Ratings: IZ3 and IZ4.....	23
Measurement Conversions: Casement and Awning - Full and Narrow Frame.....	24
Egress and Vent Opening Measurements for Full Frame Casement and Awning.....	26
Egress and Vent Opening Measurements for Narrow Frame Casement and Awning.....	27
Field Measurement for Narrow Frame Units.....	28
Standard Unit Measurements: Casement.....	29
Standard Unit Measurements: Awning.....	30
Standard Unit Measurements: 3/4" Casement Picture.....	31
Standard Unit Measurements: 1" Casement Picture.....	32
Section Details: Operating/Stationary/Picture - 3/4" (19) IG.....	33
Section Details: Operating/Stationary/Picture - 1" (25) IG.....	34
Section Details: Ultimate Casement Corner Units.....	35
Section Details: IZ3/IZ4 Operating/Stationary/Picture - 3/4" (19) IG.....	36
Section Details: IZ3/IZ4 Operating and Stationary/Picture - 1" (25) IG.....	37
Section Details: Casing, 6 9/16" (167) Jambs, Wood Screen.....	38
Section Details: Tall Bottom Rail Option.....	39
Section Details: Retractable Screen - Full Frame Casement.....	40
Section Details: Retractable Screen - Full Frame Awning.....	41
Section Details: Interior Shade - Full Frame Casement and Awning.....	42
Section Details: Casement / Awning Operating - Narrow Frame.....	43
Section Details: Narrow Frame UCA/UAWN Operating/Picture - DH Frame w/ Sloped Sill.....	44
Section Details: Narrow Frame Casement / Awning Operating / Picture - Casement Frame.....	45
Section Details: Tall Bottom Rail Option - Narrow Frame.....	46
Section Details: Clad Applications - Narrow Frame.....	47
Section Details: Retractable Screen - Narrow Frame Casement.....	48
Section Details: Retractable Screen - Narrow Frame Awning.....	49
Section Details: Interior Shade - Narrow Frame Casement and Awning.....	50



**Unit Features**

Ultimate Casement: UCA

Ultimate Awning: UAWN

Ultimate Casement Picture: UCAP

Ultimate Casement Narrow Frame: UCANF

Ultimate Awning Narrow Frame: UAWNNF

Ultimate Casement Narrow Frame Picture: UCANFP

Ultimate Casement Corner: UCACNR

**UCA, UCANF, UAWN, UAWNNF Hardware:**

- Folding handles are standard
  - Color: Satin Taupe
    - Optional colors: White, Bronze, Matte Black, Satin Chrome, Satin Nickel, Oil Rubbed Bronze, Brass, Antique Brass
- Locks used are a concealed multi-point sequential system
- Stainless steel packages are available for coastal application
- Aluminum pole crank (Optional)
  - Color: mill finish
  - Sizes: 60" (1524), 96" (2438), 138" (3505)

*NOTE: Pole crank operate locks*

**UCA/UCANF Hardware:**

- Casement operator includes a crank hardware system that allows the window to open to a full 90 degrees with a minimal reduction of egress net clear opening
  - All steel is covered with an E-Gard™ protection coat and the standard track is stainless steel
  - Operation force at handle is 5 lbs. (2 kg) or less
- Casement hinges allow the user the ability to slide the sash across the frame opening so the sash exterior will rotate toward the user for the easy wash mode
  - Each unit includes one single arm operator or dyad operator depending upon the width of the unit
  - Frame OM width of 20" (508) to under 24" (610) use an 18" (457) wash/egress hinge
  - Frame OM widths greater than 24" (610) use a 22" (559) wash/egress hinge
  - Frame OM widths less than 20" (508) use a dyad hinge (dyad hinges do not have the special easy wash mode feature)
- Factory installed Window Opening Control Device (WOCD)
  - The standard operation of the WOCD shall limit the operation of the sash to an opening of 4" (102) or less
  - The tether shall be able to detach from the lock housing by a two step function actuation to allow normal operation of the unit
  - The tether shall be able to re-engage when the unit is fully closed
  - Hardware meets the ASTM F2090-17
  - Minimum operable unit size: 26" (660) x 19 1/4" (489)
  - Maximum operable unit size: 40" (1016) x 92" (2337) - unit size width is greater than 36" (914)
  - Maximum operable unit size: 36" (914) x 96 1/8" (2442) - unit size is less than or equal to 36" (914)
  - WOCD locking assembly:
    - Factory installed, Die-cast
    - Color: Satin Taupe, Bronze, White, Matte Black, Oil-Rubbed Bronze, Brass, Satin Nickel, Antique Brass, Polished Chrome, Satin Chrome
  - WOCD tether assembly:
    - Factory installed
    - Glass filled nylon
    - Color: matched to the e-coat finish on casement hardware
- Hinges used are steel coated with an E-Gard™ protection coat and hinge track is stainless steel
- Each unit contains two hinges that connect stiles of sash to jamb material
- Hinges are designed to support up to a 210 lb. (95 kg) sash
- Optional power drive operator:
  - Motor is metal cased
  - Motor cover is plastic
  - Cover colors: Satin Taupe, White and Bronze
  - Field installed
  - Available for all size CN 16 and wider
- Remote control available as an option

**Unit Features****UAWN/UAWNNF Hardware:**

- Optional Op-O-Lock Hardware (only available with UAWN)
  - Requires a folding handle
  - Minimum frame OM width is 28" (711)
  - Minimum frame height is 15 1/8" (384)
  - Maximum frame OM width is 72" (1829)
  - Maximum frame OM height is 47 1/8" (1197)
- Custodial Sash Limiters
  - If Casement frame OM is larger than 36" (914) x 102" (2591), 40" (1016) x 92" (2337), or 44" (1118) x 71.125" (1807) custodial limiters will be applied, limiting travel
  - If Awning frame OM is larger than 72" (1829) x 72" (1829) custodial limiters will be applied, limiting travel

**Interior Shades:**

- Cellular shade is attached to the window with a removable surround system that houses the cellular shade system and screen
  - Shade cartridge is removable and replaceable
  - One shade per sash opening
  - Shade control: top down, bottom up
  - Egress is reduced by 1" (25) when shade system is installed in unit
  - Wood screen and retractable screen options are not available with interior shade system
- Wood surround frame
  - Species: Pine, Mahogany, Mixed Grain Douglas Fir, Vertical Grain Douglas Fir, Cherry or White Oak
  - Roll formed screen: Satin Taupe (standard), Stone White, Bronze, or Ebony (optional)
- Cellular shade
  - Single non-fire rated hexagonal honeycomb (cellular) 3/4" (19)
  - Semi-opaque fabric (light filtering)
    - Colors: Driftwood, Marigold, Almond, Rose, Denim, Biscuit, Champagne, Moss, Cinnamon, Silver, White, Stone, Tan, Ivory, Eggshell
  - Opaque fabric (blackout)
    - Colors: White, Stone, Tan, Ivory, Eggshell
- Order options:
  - Ship separate: shade system packages separate and ships same time as the unit
  - Ship later: shade system at a later date chosen by the customer
    - Shade option must be chosen at the time of unit order
    - Fabric opacity and color can be chosen at later date
  - Retro fit: ordered as a complete shade system through configured parts

**Optional Glass:**

- 1" Tripane Low E1 outer piece and Low E1 Argon inner piece
- 1" Tripane Low E1 outer piece and Low E1 Krypton-Argon inner piece
- 1" Tripane Low E2 outer piece and Low E2 Argon inner piece
- 1" Tripane Low E2 outer piece and Low E2 Krypton-Argon inner piece
- 1" Tripane Low E3 outer piece and Low E1 Argon inner piece
- 1" Tripane Low E3 outer piece and Low E1 Krypton-Argon inner piece

**Mulling:**

- For mull performance, refer to the General Mulling chapter of the ADM.

**CE Optional Glazing:**

- Optional Tripane glass types: Low E1/E1 Argon or Krypton-Argon, Low E2/E2 Argon or Krypton-Argon, Low E3/E1 Argon or Krypton
- Glass panes available in 3,4, and 6 mm thicknesses
- Glazing will be altitude adjusted for high elevations, Argon, Argon-Krypton, and Krypton gas not included

**CE Mulling Options:**

- Mull assemblies up to 64" (1626) x 71 1/8" (1807) as 1H x multi-width
- Mull assemblies with 1" (25) LVL or 3/8" (10) aluminum mull reinforcement up to 122" (3099) x 104 1/4" (2648) as a multi-wide or multi-high assembly

---

**Unit Features****Lock Status Sensor (Optional):**

- Available for UCA, UCANF, UAWN, UAWNNF
- Refer to **Lock Status Sensor Installation Instructions** for requirements.
- Lock Status Sensor detects a locked or unlocked status. It allows easy integration with home automation systems using a wired or wireless connection.
  - For wired option, check with local codes on potential contractor requirements for low voltage networking connections.
  - Wireless option available. Requires purchase of secondary transmitter for operation. Marvin will prep for this option.
- Wireless Lock Status Sensor is located within the frame.
- Sensor Location
  - UCA/UCANF – will always be on locking side
  - UAWN/UAWNNF – will always be on right-hand locking side (from exterior)
- For Wired or Wireless, Black or White Magnet Covers available only visible on secondary surface. Cover color dependent upon interior finish.
  - White: Prime and White Painted Interior Finish
  - Black: Bare and all other finish options

Egress and Vent Openings: Casement - Full and Narrow Frame

CN	Clear Opening Width		Clear Opening Height		Egress Opening			Opening Vent Width		Opening Vent Height		Vent Opening	
	ft - in	mm	ft - in	mm	ft <sup>2</sup>	m <sup>2</sup>	E	ft - in	mm	ft - in	mm	ft <sup>2</sup>	m <sup>2</sup>
1614	0-6 13/32	(163)	0-8 1/64	(203)	0.36	(0.03)		0-11 1/64	(280)	0-8 1/64	(203)	0.61	(0.06)
1616	0-6 13/32	(163)	0-10 1/64	(254)	0.44	(0.04)		0-11 1/64	(280)	0-10 1/64	(254)	0.77	(0.07)
1618	0-6 13/32	(163)	1-0 1/64	(305)	0.53	(0.05)		0-11 1/64	(280)	1-0 1/64	(305)	0.92	(0.09)
1620	0-6 13/32	(163)	1-2 1/64	(356)	0.62	(0.06)		0-11 1/64	(280)	1-2 1/64	(356)	1.07	(0.10)
1624	0-6 13/32	(163)	1-6 1/64	(457)	0.80	(0.07)		0-11 1/64	(280)	1-6 1/64	(457)	1.38	(0.13)
1628	0-6 13/32	(163)	1-10 1/64	(559)	0.98	(0.09)		0-11 1/64	(280)	1-10 1/64	(559)	1.68	(0.16)
1632	0-6 13/32	(163)	2-2 1/64	(661)	1.16	(0.11)		0-11 1/64	(280)	2-2 1/64	(661)	1.99	(0.18)
1636	0-6 13/32	(163)	2-6 1/64	(762)	1.33	(0.12)		0-11 1/64	(280)	2-6 1/64	(762)	2.30	(0.21)
1640	0-6 13/32	(163)	2-10 1/64	(864)	1.51	(0.14)		0-11 1/64	(280)	2-10 1/64	(864)	2.60	(0.24)
1644	0-6 13/32	(163)	3-2 1/64	(965)	1.69	(0.16)		0-11 1/64	(280)	3-2 1/64	(965)	2.91	(0.27)
1648	0-6 13/32	(163)	3-6 1/64	(1067)	1.87	(0.17)		0-11 1/64	(280)	3-6 1/64	(1067)	3.21	(0.30)
1654	0-6 13/32	(163)	4-0 1/64	(1219)	2.13	(0.20)		0-11 1/64	(280)	4-0 1/64	(1219)	3.67	(0.34)
1656	0-6 13/32	(163)	4-2 1/64	(1270)	2.22	(0.21)		0-11 1/64	(280)	4-2 1/64	(1270)	3.83	(0.36)
1660	0-6 13/32	(163)	4-6 1/64	(1372)	2.40	(0.22)		0-11 1/64	(280)	4-6 1/64	(1372)	4.13	(0.38)
1664	0-6 13/32	(163)	4-10 1/64	(1473)	2.58	(0.24)		0-11 1/64	(280)	4-10 1/64	(1473)	4.44	(0.41)
1672 T	0-6 13/32	(163)	5-6 1/64	(1677)	2.93	(0.27)		0-11 1/64	(280)	5-6 1/64	(1677)	5.05	(0.47)
1678 T	0-6 13/32	(163)	6-0 1/64	(1829)	3.20	(0.30)		0-11 1/64	(280)	6-0 1/64	(1829)	5.51	(0.51)
1684 T	0-6 13/32	(163)	6-6 1/64	(1981)	3.47	(0.32)		0-11 1/64	(280)	6-6 1/64	(1981)	5.97	(0.55)
1692 T	0-6 13/32	(163)	7-2 1/64	(2185)	3.82	(0.36)		0-11 1/64	(280)	7-2 1/64	(2185)	6.58	(0.61)
1696 T	0-6 13/32	(163)	7-6 1/64	(2286)	4.00	(0.37)		0-11 1/64	(280)	7-6 1/64	(2286)	6.89	(0.64)
1814	0-8 13/32	(213)	0-8 1/64	(203)	0.47	(0.04)		1-1 1/64	(331)	0-8 1/64	(203)	0.72	(0.07)
1816	0-8 13/32	(213)	0-10 1/64	(254)	0.58	(0.05)		1-1 1/64	(331)	0-10 1/64	(254)	0.90	(0.08)
1818	0-8 13/32	(213)	1-0 1/64	(305)	0.70	(0.07)		1-1 1/64	(331)	1-0 1/64	(305)	1.09	(0.10)
1820	0-8 13/32	(213)	1-2 1/64	(356)	0.82	(0.08)		1-1 1/64	(331)	1-2 1/64	(356)	1.27	(0.12)
1824	0-8 13/32	(213)	1-6 1/64	(457)	1.05	(0.10)		1-1 1/64	(331)	1-6 1/64	(457)	1.63	(0.15)
1828	0-8 13/32	(213)	1-10 1/64	(559)	1.28	(0.12)		1-1 1/64	(331)	1-10 1/64	(559)	1.99	(0.18)
1832	0-8 13/32	(213)	2-2 1/64	(661)	1.52	(0.14)		1-1 1/64	(331)	2-2 1/64	(661)	2.35	(0.22)
1836	0-8 13/32	(213)	2-6 1/64	(762)	1.75	(0.16)		1-1 1/64	(331)	2-6 1/64	(762)	2.71	(0.25)
1840	0-8 13/32	(213)	2-10 1/64	(864)	1.98	(0.18)		1-1 1/64	(331)	2-10 1/64	(864)	3.07	(0.29)
1844	0-8 13/32	(213)	3-2 1/64	(965)	2.22	(0.21)		1-1 1/64	(331)	3-2 1/64	(965)	3.44	(0.32)
1848	0-8 13/32	(213)	3-6 1/64	(1067)	2.45	(0.23)		1-1 1/64	(331)	3-6 1/64	(1067)	3.80	(0.35)
1854	0-8 13/32	(213)	4-0 1/64	(1219)	2.80	(0.26)		1-1 1/64	(331)	4-0 1/64	(1219)	4.34	(0.40)
1856	0-8 13/32	(213)	4-2 1/64	(1270)	2.92	(0.27)		1-1 1/64	(331)	4-2 1/64	(1270)	4.52	(0.42)
1860	0-8 13/32	(213)	4-6 1/64	(1372)	3.15	(0.29)		1-1 1/64	(331)	4-6 1/64	(1372)	4.88	(0.45)
1864	0-8 13/32	(213)	4-10 1/64	(1473)	3.38	(0.31)		1-1 1/64	(331)	4-10 1/64	(1473)	5.24	(0.49)
1872 T	0-8 13/32	(213)	5-6 1/64	(1677)	3.85	(0.36)		1-1 1/64	(331)	5-6 1/64	(1677)	5.97	(0.55)
1878 T	0-8 13/32	(213)	6-0 1/64	(1829)	4.20	(0.39)		1-1 1/64	(331)	6-0 1/64	(1829)	6.51	(0.60)
1884 T	0-8 13/32	(213)	6-6 1/64	(1981)	4.55	(0.42)		1-1 1/64	(331)	6-6 1/64	(1981)	7.05	(0.66)
1892 T	0-8 13/32	(213)	7-2 1/64	(2185)	5.02	(0.47)		1-1 1/64	(331)	7-2 1/64	(2185)	7.77	(0.72)
1896 T	0-8 13/32	(213)	7-6 1/64	(2286)	5.25	(0.49)		1-1 1/64	(331)	7-6 1/64	(2286)	8.14	(0.76)
2014	1-0 57/64	(327)	0-8 1/64	(203)	0.72	(0.07)		1-3 1/64	(381)	0-8 1/64	(203)	0.84	(0.08)
2016	1-0 57/64	(327)	0-10 1/64	(254)	0.90	(0.08)		1-3 1/64	(381)	0-10 1/64	(254)	1.04	(0.10)

NOTE: Refer to Product Performance Chapter for International Building Code. Net Clear Opening drawings are pictured with the conversion tables.

## Egress and Vent Openings: Casement - Full and Narrow Frame

CN	Clear Opening Width		Clear Opening Height		Egress Opening			Opening Vent Width		Opening Vent Height		Vent Opening	
	ft - in	mm	ft - in	mm	ft <sup>2</sup>	m <sup>2</sup>	E	ft - in	mm	ft - in	mm	ft <sup>2</sup>	m <sup>2</sup>
2018	1-0 57/64	(327)	1-0 1/64	(305)	1.08	(0.10)		1-3 1/64	(381)	1-0 1/64	(305)	1.25	(0.12)
2020	1-0 57/64	(327)	1-2 1/64	(356)	1.25	(0.12)		1-3 1/64	(381)	1-2 1/64	(356)	1.46	(0.14)
2024	1-0 57/64	(327)	1-6 1/64	(457)	1.61	(0.15)		1-3 1/64	(381)	1-6 1/64	(457)	1.88	(0.17)
2028	1-0 57/64	(327)	1-10 1/64	(559)	1.97	(0.18)		1-3 1/64	(381)	1-10 1/64	(559)	2.30	(0.21)
2032	1-0 57/64	(327)	2-2 1/64	(661)	2.33	(0.22)		1-3 1/64	(381)	2-2 1/64	(661)	2.71	(0.25)
2036	1-0 57/64	(327)	2-6 1/64	(762)	2.69	(0.25)		1-3 1/64	(381)	2-6 1/64	(762)	3.13	(0.29)
2040	1-0 57/64	(327)	2-10 1/64	(864)	3.04	(0.28)		1-3 1/64	(381)	2-10 1/64	(864)	3.55	(0.33)
2044	1-0 57/64	(327)	3-2 1/64	(965)	3.40	(0.32)		1-3 1/64	(381)	3-2 1/64	(965)	3.96	(0.37)
2048	1-0 57/64	(327)	3-6 1/64	(1067)	3.76	(0.35)		1-3 1/64	(381)	3-6 1/64	(1067)	4.38	(0.41)
2054	1-0 57/64	(327)	4-0 1/64	(1219)	4.30	(0.40)		1-3 1/64	(381)	4-0 1/64	(1219)	5.01	(0.47)
2056	1-0 57/64	(327)	4-2 1/64	(1270)	4.48	(0.42)		1-3 1/64	(381)	4-2 1/64	(1270)	5.22	(0.48)
2060	1-0 57/64	(327)	4-6 1/64	(1372)	4.83	(0.45)		1-3 1/64	(381)	4-6 1/64	(1372)	5.63	(0.52)
2064	1-0 57/64	(327)	4-10 1/64	(1473)	5.19	(0.48)		1-3 1/64	(381)	4-10 1/64	(1473)	6.05	(0.56)
2072 T	1-0 57/64	(327)	5-6 1/64	(1677)	5.91	(0.55)		1-3 1/64	(381)	5-6 1/64	(1677)	6.88	(0.64)
2078 T	1-0 57/64	(327)	6-0 1/64	(1829)	6.45	(0.60)		1-3 1/64	(381)	6-0 1/64	(1829)	7.51	(0.70)
2084 T	1-0 57/64	(327)	6-6 1/64	(1981)	6.98	(0.65)		1-3 1/64	(381)	6-6 1/64	(1981)	8.13	(0.76)
2092 T	1-0 57/64	(327)	7-2 1/64	(2185)	7.70	(0.72)		1-3 1/64	(381)	7-2 1/64	(2185)	8.97	(0.83)
2096 T	1-0 57/64	(327)	7-6 1/64	(2286)	8.06	(0.75)		1-3 1/64	(381)	7-6 1/64	(2286)	9.39	(0.87)
2414	1-4 57/64	(429)	0-8 1/64	(203)	0.94	(0.09)		1-7 1/64	(483)	0-8 1/64	(203)	1.06	(0.10)
2416	1-4 57/64	(429)	0-10 1/64	(254)	1.17	(0.11)		1-7 1/64	(483)	0-10 1/64	(254)	1.32	(0.12)
2418	1-4 57/64	(429)	1-0 1/64	(305)	1.41	(0.13)		1-7 1/64	(483)	1-0 1/64	(305)	1.59	(0.15)
2420	1-4 57/64	(429)	1-2 1/64	(356)	1.64	(0.15)		1-7 1/64	(483)	1-2 1/64	(356)	1.85	(0.17)
2424	1-4 57/64	(429)	1-6 1/64	(457)	2.11	(0.20)		1-7 1/64	(483)	1-6 1/64	(457)	2.38	(0.22)
2428	1-4 57/64	(429)	1-10 1/64	(559)	2.58	(0.24)		1-7 1/64	(483)	1-10 1/64	(559)	2.91	(0.27)
2432	1-4 57/64	(429)	2-2 1/64	(661)	3.05	(0.28)		1-7 1/64	(483)	2-2 1/64	(661)	3.43	(0.32)
2436	1-4 57/64	(429)	2-6 1/64	(762)	3.52	(0.33)		1-7 1/64	(483)	2-6 1/64	(762)	3.96	(0.37)
2440	1-4 57/64	(429)	2-10 1/64	(864)	3.99	(0.37)		1-7 1/64	(483)	2-10 1/64	(864)	4.49	(0.42)
2444	1-4 57/64	(429)	3-2 1/64	(965)	4.46	(0.41)		1-7 1/64	(483)	3-2 1/64	(965)	5.02	(0.47)
2448	1-4 57/64	(429)	3-6 1/64	(1067)	4.93	(0.46)		1-7 1/64	(483)	3-6 1/64	(1067)	5.55	(0.52)
2454	1-4 57/64	(429)	4-0 1/64	(1219)	5.63	(0.52)		1-7 1/64	(483)	4-0 1/64	(1219)	6.34	(0.59)
2456	1-4 57/64	(429)	4-2 1/64	(1270)	5.87	(0.54)		1-7 1/64	(483)	4-2 1/64	(1270)	6.60	(0.61)
2460	1-4 57/64	(429)	4-6 1/64	(1372)	6.34	(0.59)		1-7 1/64	(483)	4-6 1/64	(1372)	7.13	(0.66)
2464	1-4 57/64	(429)	4-10 1/64	(1473)	6.80	(0.63)		1-7 1/64	(483)	4-10 1/64	(1473)	7.66	(0.71)
2472 T	1-4 57/64	(429)	5-6 1/64	(1677)	7.74	(0.72)		1-7 1/64	(483)	5-6 1/64	(1677)	8.72	(0.81)
2478 T	1-4 57/64	(429)	6-0 1/64	(1829)	8.45	(0.78)		1-7 1/64	(483)	6-0 1/64	(1829)	9.51	(0.88)
2484 T	1-4 57/64	(429)	6-6 1/64	(1981)	9.15	(0.85)		1-7 1/64	(483)	6-6 1/64	(1981)	10.30	(0.96)
2492 T	1-4 57/64	(429)	7-2 1/64	(2185)	10.09	(0.94)		1-7 1/64	(483)	7-2 1/64	(2185)	11.36	(1.06)
2496 T	1-4 57/64	(429)	7-6 1/64	(2286)	10.56	(0.98)		1-7 1/64	(483)	7-6 1/64	(2286)	11.89	(1.10)
2614	1-6 57/64	(480)	0-8 1/64	(203)	1.05	(0.10)		1-9 1/64	(534)	0-8 1/64	(203)	1.17	(0.11)
2616	1-6 57/64	(480)	0-10 1/64	(254)	1.31	(0.12)		1-9 1/64	(534)	0-10 1/64	(254)	1.46	(0.14)
2618	1-6 57/64	(480)	1-0 1/64	(305)	1.58	(0.15)		1-9 1/64	(534)	1-0 1/64	(305)	1.75	(0.16)
2620	1-6 57/64	(480)	1-2 1/64	(356)	1.84	(0.17)		1-9 1/64	(534)	1-2 1/64	(356)	2.04	(0.19)

NOTE: Refer to Product Performance Chapter for International Building Code. Net Clear Opening drawings are pictured with the conversion tables.

Egress and Vent Openings: Casement - Full and Narrow Frame

CN	Clear Opening Width		Clear Opening Height		Egress Opening			Opening Vent Width		Opening Vent Height		Vent Opening	
	ft - in	mm	ft - in	mm	ft <sup>2</sup>	m <sup>2</sup>	E	ft - in	mm	ft - in	mm	ft <sup>2</sup>	m <sup>2</sup>
2624	1-6 57/64	(480)	1-6 1/64	(457)	2.36	(0.22)		1-9 1/64	(534)	1-6 1/64	(457)	2.63	(0.24)
2628	1-6 57/64	(480)	1-10 1/64	(559)	2.89	(0.27)		1-9 1/64	(534)	1-10 1/64	(559)	3.21	(0.30)
2632	1-6 57/64	(480)	2-2 1/64	(661)	3.41	(0.32)		1-9 1/64	(534)	2-2 1/64	(661)	3.80	(0.35)
2636	1-6 57/64	(480)	2-6 1/64	(762)	3.94	(0.37)		1-9 1/64	(534)	2-6 1/64	(762)	4.38	(0.41)
2640	1-6 57/64	(480)	2-10 1/64	(864)	4.46	(0.41)		1-9 1/64	(534)	2-10 1/64	(864)	4.96	(0.46)
2644	1-6 57/64	(480)	3-2 1/64	(965)	4.99	(0.46)		1-9 1/64	(534)	3-2 1/64	(965)	5.55	(0.52)
2648	1-6 57/64	(480)	3-6 1/64	(1067)	5.51	(0.51)		1-9 1/64	(534)	3-6 1/64	(1067)	6.13	(0.57)
2654	1-6 57/64	(480)	4-0 1/64	(1219)	6.30	(0.59)		1-9 1/64	(534)	4-0 1/64	(1219)	7.01	(0.65)
2656	1-6 57/64	(480)	4-2 1/64	(1270)	6.56	(0.61)		1-9 1/64	(534)	4-2 1/64	(1270)	7.30	(0.68)
2660	1-6 57/64	(480)	4-6 1/64	(1372)	7.09	(0.66)		1-9 1/64	(534)	4-6 1/64	(1372)	7.88	(0.73)
2664	1-6 57/64	(480)	4-10 1/64	(1473)	7.61	(0.71)		1-9 1/64	(534)	4-10 1/64	(1473)	8.47	(0.79)
2672 T	1-6 57/64	(480)	5-6 1/64	(1677)	8.66	(0.80)		1-9 1/64	(534)	5-6 1/64	(1677)	9.63	(0.90)
2678 T	1-6 57/64	(480)	6-0 1/64	(1829)	9.45	(0.88)		1-9 1/64	(534)	6-0 1/64	(1829)	10.51	(0.98)
2684 T	1-6 57/64	(480)	6-6 1/64	(1981)	10.23	(0.95)		1-9 1/64	(534)	6-6 1/64	(1981)	11.39	(1.06)
2692 T	1-6 57/64	(480)	7-2 1/64	(2185)	11.28	(1.05)		1-9 1/64	(534)	7-2 1/64	(2185)	12.55	(1.17)
2696 T	1-6 57/64	(480)	7-6 1/64	(2286)	11.81	(1.10)		1-9 1/64	(534)	7-6 1/64	(2286)	13.14	(1.22)
2814	1-8 57/64	(531)	0-8 1/64	(203)	1.16	(0.11)		1-11 1/64	(585)	0-8 1/64	(203)	1.28	(0.12)
2816	1-8 57/64	(531)	0-10 1/64	(254)	1.45	(0.13)		1-11 1/64	(585)	0-10 1/64	(254)	1.60	(0.15)
2818	1-8 57/64	(531)	1-0 1/64	(305)	1.74	(0.16)		1-11 1/64	(585)	1-0 1/64	(305)	1.92	(0.18)
2820	1-8 57/64	(531)	1-2 1/64	(356)	2.03	(0.19)		1-11 1/64	(585)	1-2 1/64	(356)	2.24	(0.21)
2824	1-8 57/64	(531)	1-6 1/64	(457)	2.61	(0.24)		1-11 1/64	(585)	1-6 1/64	(457)	2.88	(0.27)
2828	1-8 57/64	(531)	1-10 1/64	(559)	3.19	(0.30)		1-11 1/64	(585)	1-10 1/64	(559)	3.52	(0.33)
2832	1-8 57/64	(531)	2-2 1/64	(661)	3.77	(0.35)		1-11 1/64	(585)	2-2 1/64	(661)	4.16	(0.39)
2836	1-8 57/64	(531)	2-6 1/64	(762)	4.35	(0.40)		1-11 1/64	(585)	2-6 1/64	(762)	4.80	(0.45)
2840	1-8 57/64	(531)	2-10 1/64	(864)	4.93	(0.46)		1-11 1/64	(585)	2-10 1/64	(864)	5.44	(0.51)
2844	1-8 57/64	(531)	3-2 1/64	(965)	5.51	(0.51)		1-11 1/64	(585)	3-2 1/64	(965)	6.08	(0.56)
2848	1-8 57/64	(531)	3-6 1/64	(1067)	6.09	(0.57)	E	1-11 1/64	(585)	3-6 1/64	(1067)	6.71	(0.62)
2854	1-8 57/64	(531)	4-0 1/64	(1219)	6.96	(0.65)	E	1-11 1/64	(585)	4-0 1/64	(1219)	7.67	(0.71)
2856	1-8 57/64	(531)	4-2 1/64	(1270)	7.26	(0.67)	E	1-11 1/64	(585)	4-2 1/64	(1270)	7.99	(0.74)
2860	1-8 57/64	(531)	4-6 1/64	(1372)	7.84	(0.73)	E	1-11 1/64	(585)	4-6 1/64	(1372)	8.63	(0.80)
2864	1-8 57/64	(531)	4-10 1/64	(1473)	8.42	(0.78)	E	1-11 1/64	(585)	4-10 1/64	(1473)	9.27	(0.86)
2872 T	1-8 57/64	(531)	5-6 1/64	(1677)	9.58	(0.89)	E	1-11 1/64	(585)	5-6 1/64	(1677)	10.55	(0.98)
2878 T	1-8 57/64	(531)	6-0 1/64	(1829)	10.45	(0.97)	E	1-11 1/64	(585)	6-0 1/64	(1829)	11.51	(1.07)
2884 T	1-8 57/64	(531)	6-6 1/64	(1981)	11.32	(1.05)	E	1-11 1/64	(585)	6-6 1/64	(1981)	12.47	(1.16)
2892 T	1-8 57/64	(531)	7-2 1/64	(2185)	12.48	(1.16)	E	1-11 1/64	(585)	7-2 1/64	(2185)	13.75	(1.28)
2896 T	1-8 57/64	(531)	7-6 1/64	(2286)	13.06	(1.21)	E	1-11 1/64	(585)	7-6 1/64	(2286)	14.39	(1.34)
3014	1-10 57/64	(581)	0-8 1/64	(203)	1.27	(0.12)		2-1 1/64	(635)	0-8 1/64	(203)	1.39	(0.13)
3016	1-10 57/64	(581)	0-10 1/64	(254)	1.59	(0.15)		2-1 1/64	(635)	0-10 1/64	(254)	1.74	(0.16)
3018	1-10 57/64	(581)	1-0 1/64	(305)	1.91	(0.18)		2-1 1/64	(635)	1-0 1/64	(305)	2.09	(0.19)
3020	1-10 57/64	(581)	1-2 1/64	(356)	2.23	(0.21)		2-1 1/64	(635)	1-2 1/64	(356)	2.43	(0.23)
3024	1-10 57/64	(581)	1-6 1/64	(457)	2.86	(0.27)		2-1 1/64	(635)	1-6 1/64	(457)	3.13	(0.29)
3028	1-10 57/64	(581)	1-10 1/64	(559)	3.50	(0.33)		2-1 1/64	(635)	1-10 1/64	(559)	3.82	(0.36)

NOTE: Refer to Product Performance Chapter for International Building Code. Net Clear Opening drawings are pictured with the conversion tables.



## Egress and Vent Openings: Casement - Full and Narrow Frame

CN	Clear Opening Width		Clear Opening Height		Egress Opening			Opening Vent Width		Opening Vent Height		Vent Opening	
	ft - in	mm	ft - in	mm	ft <sup>2</sup>	m <sup>2</sup>	E	ft - in	mm	ft - in	mm	ft <sup>2</sup>	m <sup>2</sup>
3032	1-10 57/64	(581)	2-2 1/64	(661)	4.13	(0.38)		2-1 1/64	(635)	2-2 1/64	(661)	4.52	(0.42)
3036	1-10 57/64	(581)	2-6 1/64	(762)	4.77	(0.44)		2-1 1/64	(635)	2-6 1/64	(762)	5.21	(0.48)
3040	1-10 57/64	(581)	2-10 1/64	(864)	5.41	(0.50)		2-1 1/64	(635)	2-10 1/64	(864)	5.91	(0.55)
3044	1-10 57/64	(581)	3-2 1/64	(965)	6.04	(0.56)	E	2-1 1/64	(635)	3-2 1/64	(965)	6.60	(0.61)
3048	1-10 57/64	(581)	3-6 1/64	(1067)	6.68	(0.62)	E	2-1 1/64	(635)	3-6 1/64	(1067)	7.30	(0.68)
3054	1-10 57/64	(581)	4-0 1/64	(1219)	7.63	(0.71)	E	2-1 1/64	(635)	4-0 1/64	(1219)	8.34	(0.77)
3056	1-10 57/64	(581)	4-2 1/64	(1270)	7.95	(0.74)	E	2-1 1/64	(635)	4-2 1/64	(1270)	8.69	(0.81)
3060	1-10 57/64	(581)	4-6 1/64	(1372)	8.59	(0.80)	E	2-1 1/64	(635)	4-6 1/64	(1372)	9.38	(0.87)
3064	1-10 57/64	(581)	4-10 1/64	(1473)	9.22	(0.86)	E	2-1 1/64	(635)	4-10 1/64	(1473)	10.08	(0.94)
3072 T	1-10 57/64	(581)	5-6 1/64	(1677)	10.49	(0.97)	E	2-1 1/64	(635)	5-6 1/64	(1677)	11.47	(1.07)
3078 T	1-10 57/64	(581)	6-0 1/64	(1829)	11.45	(1.06)	E	2-1 1/64	(635)	6-0 1/64	(1829)	12.51	(1.16)
3084 T	1-10 57/64	(581)	6-6 1/64	(1981)	12.40	(1.15)	E	2-1 1/64	(635)	6-6 1/64	(1981)	13.55	(1.26)
3092 T	1-10 57/64	(581)	7-2 1/64	(2185)	13.67	(1.27)	E	2-1 1/64	(635)	7-2 1/64	(2185)	14.94	(1.39)
3096 T	1-10 57/64	(581)	7-6 1/64	(2286)	14.31	(1.33)	E	2-1 1/64	(635)	7-6 1/64	(2286)	15.64	(1.45)
3214	2-0 57/64	(632)	0-8 1/64	(203)	1.38	(0.13)		2-3 1/64	(686)	0-8 1/64	(203)	1.50	(0.14)
3216	2-0 57/64	(632)	0-10 1/64	(254)	1.73	(0.16)		2-3 1/64	(686)	0-10 1/64	(254)	1.88	(0.17)
3218	2-0 57/64	(632)	1-0 1/64	(305)	2.08	(0.19)		2-3 1/64	(686)	1-0 1/64	(305)	2.25	(0.21)
3220	2-0 57/64	(632)	1-2 1/64	(356)	2.42	(0.22)		2-3 1/64	(686)	1-2 1/64	(356)	2.63	(0.24)
3224	2-0 57/64	(632)	1-6 1/64	(457)	3.11	(0.29)		2-3 1/64	(686)	1-6 1/64	(457)	3.38	(0.31)
3228	2-0 57/64	(632)	1-10 1/64	(559)	3.80	(0.35)		2-3 1/64	(686)	1-10 1/64	(559)	4.13	(0.38)
3232	2-0 57/64	(632)	2-2 1/64	(661)	4.50	(0.42)		2-3 1/64	(686)	2-2 1/64	(661)	4.88	(0.45)
3236	2-0 57/64	(632)	2-6 1/64	(762)	5.19	(0.48)		2-3 1/64	(686)	2-6 1/64	(762)	5.63	(0.52)
3240	2-0 57/64	(632)	2-10 1/64	(864)	5.88	(0.55)	E	2-3 1/64	(686)	2-10 1/64	(864)	6.38	(0.59)
3244	2-0 57/64	(632)	3-2 1/64	(965)	6.57	(0.61)	E	2-3 1/64	(686)	3-2 1/64	(965)	7.13	(0.66)
3248	2-0 57/64	(632)	3-6 1/64	(1067)	7.26	(0.67)	E	2-3 1/64	(686)	3-6 1/64	(1067)	7.88	(0.73)
3254	2-0 57/64	(632)	4-0 1/64	(1219)	8.30	(0.77)	E	2-3 1/64	(686)	4-0 1/64	(1219)	9.01	(0.84)
3256	2-0 57/64	(632)	4-2 1/64	(1270)	8.64	(0.80)	E	2-3 1/64	(686)	4-2 1/64	(1270)	9.38	(0.87)
3260	2-0 57/64	(632)	4-6 1/64	(1372)	9.34	(0.87)	E	2-3 1/64	(686)	4-6 1/64	(1372)	10.13	(0.94)
3264	2-0 57/64	(632)	4-10 1/64	(1473)	10.03	(0.93)	E	2-3 1/64	(686)	4-10 1/64	(1473)	10.88	(1.01)
3272 T	2-0 57/64	(632)	5-6 1/64	(1677)	11.41	(1.06)	E	2-3 1/64	(686)	5-6 1/64	(1677)	12.38	(1.15)
3278 T	2-0 57/64	(632)	6-0 1/64	(1829)	12.45	(1.16)	E	2-3 1/64	(686)	6-0 1/64	(1829)	13.51	(1.26)
3284 T	2-0 57/64	(632)	6-6 1/64	(1981)	13.48	(1.25)	E	2-3 1/64	(686)	6-6 1/64	(1981)	14.64	(1.36)
3292 T	2-0 57/64	(632)	7-2 1/64	(2185)	14.87	(1.38)	E	2-3 1/64	(686)	7-2 1/64	(2185)	16.14	(1.50)
3296 T	2-0 57/64	(632)	7-6 1/64	(2286)	15.56	(1.45)	E	2-3 1/64	(686)	7-6 1/64	(2286)	16.89	(1.57)
3614	2-4 57/64	(734)	0-8 1/64	(203)	1.61	(0.15)		2-7 1/64	(788)	0-8 1/64	(203)	1.73	(0.16)
3616	2-4 57/64	(734)	0-10 1/64	(254)	2.01	(0.19)		2-7 1/64	(788)	0-10 1/64	(254)	2.16	(0.20)
3618	2-4 57/64	(734)	1-0 1/64	(305)	2.41	(0.22)		2-7 1/64	(788)	1-0 1/64	(305)	2.59	(0.24)
3620	2-4 57/64	(734)	1-2 1/64	(356)	2.81	(0.26)		2-7 1/64	(788)	1-2 1/64	(356)	3.02	(0.28)
3624	2-4 57/64	(734)	1-6 1/64	(457)	3.61	(0.34)		2-7 1/64	(788)	1-6 1/64	(457)	3.88	(0.36)
3628	2-4 57/64	(734)	1-10 1/64	(559)	4.42	(0.41)		2-7 1/64	(788)	1-10 1/64	(559)	4.74	(0.44)
3632	2-4 57/64	(734)	2-2 1/64	(661)	5.22	(0.48)		2-7 1/64	(788)	2-2 1/64	(661)	5.60	(0.52)
3636	2-4 57/64	(734)	2-6 1/64	(762)	6.02	(0.56)	E	2-7 1/64	(788)	2-6 1/64	(762)	6.46	(0.60)

NOTE: Refer to Product Performance Chapter for International Building Code. Net Clear Opening drawings are pictured with the conversion tables.

Egress and Vent Openings: Casement - Full and Narrow Frame

CN	Clear Opening Width		Clear Opening Height		Egress Opening			Opening Vent Width		Opening Vent Height		Vent Opening	
	ft - in	mm	ft - in	mm	ft <sup>2</sup>	m <sup>2</sup>	E	ft - in	mm	ft - in	mm	ft <sup>2</sup>	m <sup>2</sup>
3640	2-4 57/64	(734)	2-10 1/64	(864)	6.82	(0.63)	E	2-7 1/64	(788)	2-10 1/64	(864)	7.33	(0.68)
3644	2-4 57/64	(734)	3-2 1/64	(965)	7.63	(0.71)	E	2-7 1/64	(788)	3-2 1/64	(965)	8.19	(0.76)
3648	2-4 57/64	(734)	3-6 1/64	(1067)	8.43	(0.78)	E	2-7 1/64	(788)	3-6 1/64	(1067)	9.05	(0.84)
3654	2-4 57/64	(734)	4-0 1/64	(1219)	9.63	(0.89)	E	2-7 1/64	(788)	4-0 1/64	(1219)	10.34	(0.96)
3656	2-4 57/64	(734)	4-2 1/64	(1270)	10.03	(0.93)	E	2-7 1/64	(788)	4-2 1/64	(1270)	10.77	(1.00)
3660	2-4 57/64	(734)	4-6 1/64	(1372)	10.84	(1.01)	E	2-7 1/64	(788)	4-6 1/64	(1372)	11.63	(1.08)
3664	2-4 57/64	(734)	4-10 1/64	(1473)	11.64	(1.08)	E	2-7 1/64	(788)	4-10 1/64	(1473)	12.49	(1.16)
3672 T	2-4 57/64	(734)	5-6 1/64	(1677)	13.24	(1.23)	E	2-7 1/64	(788)	5-6 1/64	(1677)	14.22	(1.32)
3678 T	2-4 57/64	(734)	6-0 1/64	(1829)	14.45	(1.34)	E	2-7 1/64	(788)	6-0 1/64	(1829)	15.51	(1.44)
3684 T	2-4 57/64	(734)	6-6 1/64	(1981)	15.65	(1.45)	E	2-7 1/64	(788)	6-6 1/64	(1981)	16.80	(1.56)
3692 T	2-4 57/64	(734)	7-2 1/64	(2185)	17.26	(1.60)	E	2-7 1/64	(788)	7-2 1/64	(2185)	18.53	(1.72)
3696 T	2-4 57/64	(734)	7-6 1/64	(2286)	18.06	(1.68)	E	2-7 1/64	(788)	7-6 1/64	(2286)	19.39	(1.80)
4014	2-8 57/64	(835)	0-8 1/64	(203)	1.83	(0.17)		2-11 1/64	(889)	0-8 1/64	(203)	1.95	(0.18)
4016	2-8 57/64	(835)	0-10 1/64	(254)	2.29	(0.21)		2-11 1/64	(889)	0-10 1/64	(254)	2.43	(0.23)
4018	2-8 57/64	(835)	1-0 1/64	(305)	2.74	(0.25)		2-11 1/64	(889)	1-0 1/64	(305)	2.92	(0.27)
4020	2-8 57/64	(835)	1-2 1/64	(356)	3.20	(0.30)		2-11 1/64	(889)	1-2 1/64	(356)	3.41	(0.32)
4024	2-8 57/64	(835)	1-6 1/64	(457)	4.11	(0.38)		2-11 1/64	(889)	1-6 1/64	(457)	4.38	(0.41)
4028	2-8 57/64	(835)	1-10 1/64	(559)	5.03	(0.47)		2-11 1/64	(889)	1-10 1/64	(559)	5.35	(0.50)
4032	2-8 57/64	(835)	2-2 1/64	(661)	5.94	(0.55)	E	2-11 1/64	(889)	2-2 1/64	(661)	6.33	(0.59)
4036	2-8 57/64	(835)	2-6 1/64	(762)	6.85	(0.64)	E	2-11 1/64	(889)	2-6 1/64	(762)	7.30	(0.68)
4040	2-8 57/64	(835)	2-10 1/64	(864)	7.77	(0.72)	E	2-11 1/64	(889)	2-10 1/64	(864)	8.27	(0.77)
4044	2-8 57/64	(835)	3-2 1/64	(965)	8.68	(0.81)	E	2-11 1/64	(889)	3-2 1/64	(965)	9.24	(0.86)
4048	2-8 57/64	(835)	3-6 1/64	(1067)	9.60	(0.89)	E	2-11 1/64	(889)	3-6 1/64	(1067)	10.22	(0.95)
4054	2-8 57/64	(835)	4-0 1/64	(1219)	10.97	(1.02)	E	2-11 1/64	(889)	4-0 1/64	(1219)	11.67	(1.08)
4056	2-8 57/64	(835)	4-2 1/64	(1270)	11.42	(1.06)	E	2-11 1/64	(889)	4-2 1/64	(1270)	12.16	(1.13)
4060	2-8 57/64	(835)	4-6 1/64	(1372)	12.34	(1.15)	E	2-11 1/64	(889)	4-6 1/64	(1372)	13.13	(1.22)
4064	2-8 57/64	(835)	4-10 1/64	(1473)	13.25	(1.23)	E	2-11 1/64	(889)	4-10 1/64	(1473)	14.11	(1.31)
4072 T	2-8 57/64	(835)	5-6 1/64	(1677)	15.08	(1.40)	E	2-11 1/64	(889)	5-6 1/64	(1677)	16.05	(1.49)
4078 T	2-8 57/64	(835)	6-0 1/64	(1829)	16.45	(1.53)	E	2-11 1/64	(889)	6-0 1/64	(1829)	17.51	(1.63)
4084 T	2-8 57/64	(835)	6-6 1/64	(1981)	17.82	(1.66)	E	2-11 1/64	(889)	6-6 1/64	(1981)	18.97	(1.76)
4092 T	2-8 57/64	(835)	7-2 1/64	(2185)	19.65	(1.83)	E	2-11 1/64	(889)	7-2 1/64	(2185)	20.92	(1.94)

NOTE: Refer to Product Performance Chapter for International Building Code. Net Clear Opening drawings are pictured with the conversion tables.

Daylight Measurements: Casement - Full and Narrow Frame

Ultimate Casement Daylight Measurements		Width										
		CN	16		18		20		24		26	
		DLO	0-10 13/64 (259)	1-0 13/64 (310)	1-2 13/64 (361)	1-6 13/64 (462)	1-8 13/64 (513)					
CN	DLO Height	Square Feet (Square Meters)										
		Standard Bottom Rail										
14	0-7 21/64 (186)	0.52 (0.05)	0.62 (0.06)	0.72 (0.07)	0.93 (0.09)	1.03 (0.10)						
16	0-9 21/64 (237)	0.66 (0.06)	0.79 (0.07)	0.92 (0.09)	1.18 (0.11)	1.31 (0.12)						
18	0-11 21/64 (288)	0.80 (0.07)	0.96 (0.09)	1.12 (0.10)	1.43 (0.13)	1.59 (0.15)						
20	1-1 21/64 (339)	0.95 (0.09)	1.13 (0.11)	1.32 (0.12)	1.69 (0.16)	1.87 (0.17)						
24	1-5 21/64 (440)	1.23 (0.11)	1.47 (0.14)	1.71 (0.16)	2.19 (0.20)	2.43 (0.23)						
28	1-9 21/64 (542)	1.51 (0.14)	1.81 (0.17)	2.10 (0.20)	2.70 (0.25)	2.99 (0.28)						
32	2-1 21/64 (643)	1.80 (0.17)	2.15 (0.20)	2.50 (0.23)	3.20 (0.30)	3.56 (0.33)						
36	2-5 21/64 (745)	2.08 (0.19)	2.49 (0.23)	2.89 (0.27)	3.71 (0.34)	4.12 (0.38)						
40	2-9 21/64 (847)	2.36 (0.22)	2.83 (0.26)	3.29 (0.31)	4.21 (0.39)	4.68 (0.43)						
44	3-1 21/64 (948)	2.65 (0.25)	3.17 (0.29)	3.68 (0.34)	4.72 (0.44)	5.24 (0.49)						
48	3-5 21/64 (1050)	2.93 (0.27)	3.50 (0.33)	4.08 (0.38)	5.23 (0.49)	5.80 (0.54)						
54	3-11 21/64 (1202)	3.36 (0.31)	4.01 (0.37)	4.67 (0.43)	5.98 (0.56)	6.64 (0.62)						
56	4-1 21/64 (1253)	3.50 (0.32)	4.18 (0.39)	4.87 (0.45)	6.24 (0.58)	6.92 (0.64)						
60	4-5 21/64 (1355)	3.78 (0.35)	4.52 (0.42)	5.26 (0.49)	6.74 (0.63)	7.48 (0.70)						
64	4-9 21/64 (1456)	4.06 (0.38)	4.86 (0.45)	5.66 (0.53)	7.25 (0.67)	8.05 (0.75)						
72	5-5 21/64 (1659)	4.63 (0.43)	5.54 (0.51)	6.45 (0.60)	8.26 (0.77)	9.17 (0.85)						
78	5-11 21/64 (1812)	5.06 (0.47)	6.05 (0.56)	7.04 (0.65)	9.02 (0.84)	10.01 (0.93)						
84	6-5 21/64 (1964)	5.48 (0.51)	6.56 (0.61)	7.63 (0.71)	9.78 (0.91)	10.85 (1.01)						
92	7-1 21/64 (2167)	6.05 (0.56)	7.23 (0.67)	8.42 (0.78)	10.79 (1.00)	11.98 (1.11)						
96	7-5 21/64 (2269)	6.33 (0.59)	7.57 (0.70)	8.81 (0.82)	11.30 (1.05)	12.54 (1.16)						
		Tall Bottom Rail										
14	0-5 53/64 (148)	0.41 (0.04)	0.49 (0.05)	0.58 (0.05)	0.74 (0.07)	0.82 (0.08)						
16	0-7 53/64 (199)	0.56 (0.05)	0.66 (0.06)	0.77 (0.07)	0.99 (0.09)	1.10 (0.10)						
18	0-9 53/64 (250)	0.70 (0.06)	0.83 (0.08)	0.97 (0.09)	1.24 (0.12)	1.38 (0.13)						
20	0-11 53/64 (301)	0.84 (0.08)	1.00 (0.09)	1.17 (0.11)	1.50 (0.14)	1.66 (0.15)						
24	1-3 53/64 (402)	1.12 (0.10)	1.34 (0.12)	1.56 (0.15)	2.00 (0.19)	2.22 (0.21)						
28	1-7 53/64 (504)	1.41 (0.13)	1.68 (0.16)	1.96 (0.18)	2.51 (0.23)	2.78 (0.26)						
32	1-11 53/64 (605)	1.69 (0.16)	2.02 (0.19)	2.35 (0.22)	3.01 (0.28)	3.34 (0.31)						
36	2-3 53/64 (707)	1.97 (0.18)	2.36 (0.22)	2.75 (0.26)	3.52 (0.33)	3.91 (0.36)						
40	2-7 53/64 (809)	2.26 (0.21)	2.70 (0.25)	3.14 (0.29)	4.03 (0.37)	4.47 (0.42)						
44	2-11 53/64 (910)	2.54 (0.24)	3.04 (0.28)	3.54 (0.33)	4.53 (0.42)	5.03 (0.47)						
48	3-3 53/64 (1012)	2.82 (0.26)	3.38 (0.31)	3.93 (0.37)	5.04 (0.47)	5.59 (0.52)						
54	3-9 53/64 (1164)	3.25 (0.30)	3.89 (0.36)	4.52 (0.42)	5.80 (0.54)	6.43 (0.60)						
56	3-11 53/64 (1215)	3.39 (0.32)	4.06 (0.38)	4.72 (0.44)	6.05 (0.56)	6.71 (0.62)						
60	4-3 53/64 (1317)	3.67 (0.34)	4.39 (0.41)	5.11 (0.48)	6.55 (0.61)	7.27 (0.68)						
64	4-7 53/64 (1418)	3.96 (0.37)	4.73 (0.44)	5.51 (0.51)	7.06 (0.66)	7.84 (0.73)						
72	5-3 53/64 (1621)	4.53 (0.42)	5.41 (0.50)	6.30 (0.59)	8.07 (0.75)	8.96 (0.83)						
78	5-9 53/64 (1774)	4.95 (0.46)	5.92 (0.55)	6.89 (0.64)	8.83 (0.82)	9.80 (0.91)						
84	6-3 53/64 (1926)	5.38 (0.50)	6.43 (0.60)	7.48 (0.70)	9.59 (0.89)	10.64 (0.99)						
92	6-11 53/64 (2129)	5.94 (0.55)	7.11 (0.66)	8.27 (0.77)	10.60 (0.98)	11.76 (1.09)						
96	7-3 53/64 (2231)	6.23 (0.58)	7.45 (0.69)	8.67 (0.81)	11.11 (1.03)	12.33 (1.15)						

Daylight Measurements: Casement - Full and Narrow Frame

Ultimate Casement Daylight Measurements			Width										
			CN	28		30		32		36		40	
			DLO	1-10 13/64 (564)	2-0 13/64 (615)	2-2 13/64 (666)	2-6 13/64 (767)	2-10 13/64 (869)					
CN	DLO Height	Square Feet (Square Meters)											
		Standard Bottom Rail											
14	0-7 21/64 (186)	1.13 (0.11)	1.23 (0.11)	1.33 (0.12)	1.54 (0.14)	1.74 (0.16)							
16	0-9 21/64 (237)	1.44 (0.13)	1.57 (0.15)	1.70 (0.16)	1.96 (0.18)	2.22 (0.21)							
18	0-11 21/64 (288)	1.75 (0.16)	1.91 (0.18)	2.06 (0.19)	2.38 (0.22)	2.69 (0.25)							
20	1-1 21/64 (339)	2.06 (0.19)	2.24 (0.21)	2.43 (0.23)	2.80 (0.26)	3.17 (0.29)							
24	1-5 21/64 (440)	2.67 (0.25)	2.91 (0.27)	3.15 (0.29)	3.64 (0.34)	4.12 (0.38)							
28	1-9 21/64 (542)	3.29 (0.31)	3.59 (0.33)	3.88 (0.36)	4.48 (0.42)	5.07 (0.47)							
32	2-1 21/64 (643)	3.91 (0.36)	4.26 (0.40)	4.61 (0.43)	5.31 (0.49)	6.02 (0.56)							
36	2-5 21/64 (745)	4.52 (0.42)	4.93 (0.46)	5.34 (0.50)	6.15 (0.57)	6.97 (0.65)							
40	2-9 21/64 (847)	5.14 (0.48)	5.60 (0.52)	6.07 (0.56)	6.99 (0.65)	7.92 (0.74)							
44	3-1 21/64 (948)	5.76 (0.53)	6.28 (0.58)	6.79 (0.63)	7.83 (0.73)	8.87 (0.82)							
48	3-5 21/64 (1050)	6.37 (0.59)	6.95 (0.65)	7.52 (0.70)	8.67 (0.81)	9.82 (0.91)							
54	3-11 21/64 (1202)	7.30 (0.68)	7.96 (0.74)	8.61 (0.80)	9.93 (0.92)	11.24 (1.04)							
56	4-1 21/64 (1253)	7.61 (0.71)	8.29 (0.77)	8.98 (0.83)	10.35 (0.96)	11.72 (1.09)							
60	4-5 21/64 (1355)	8.23 (0.76)	8.97 (0.83)	9.71 (0.90)	11.19 (1.04)	12.67 (1.18)							
64	4-9 21/64 (1456)	8.84 (0.82)	9.64 (0.90)	10.43 (0.97)	12.03 (1.12)	13.62 (1.27)							
72	5-5 21/64 (1659)	10.08 (0.94)	10.98 (1.02)	11.89 (1.10)	13.71 (1.27)	15.52 (1.44)							
78	5-11 21/64 (1812)	11.00 (1.02)	11.99 (1.11)	12.98 (1.21)	14.96 (1.39)	16.95 (1.57)							
84	6-5 21/64 (1964)	11.93 (1.11)	13.00 (1.21)	14.07 (1.31)	16.22 (1.51)	18.37 (1.71)							
92	7-1 21/64 (2167)	13.16 (1.22)	14.35 (1.33)	15.53 (1.44)	17.90 (1.66)	20.27 (1.88)							
96	7-5 21/64 (2269)	13.78 (1.28)	15.02 (1.40)	16.26 (1.51)	18.74 (1.74)	N/A							
		Tall Bottom Rail											
14	0-5 53/64 (148)	0.90 (0.08)	0.98 (0.09)	1.06 (0.10)	1.22 (0.11)	1.39 (0.13)							
16	0-7 53/64 (199)	1.21 (0.11)	1.32 (0.12)	1.43 (0.13)	1.64 (0.15)	1.86 (0.17)							
18	0-9 53/64 (250)	1.52 (0.14)	1.65 (0.15)	1.79 (0.17)	2.06 (0.19)	2.34 (0.22)							
20	0-11 53/64 (301)	1.82 (0.17)	1.99 (0.18)	2.15 (0.20)	2.48 (0.23)	2.81 (0.26)							
24	1-3 53/64 (402)	2.44 (0.23)	2.66 (0.25)	2.88 (0.27)	3.32 (0.31)	3.76 (0.35)							
28	1-7 53/64 (504)	3.06 (0.28)	3.33 (0.31)	3.61 (0.34)	4.16 (0.39)	4.71 (0.44)							
32	1-11 53/64 (605)	3.68 (0.34)	4.01 (0.37)	4.34 (0.40)	5.00 (0.46)	5.66 (0.53)							
36	2-3 53/64 (707)	4.29 (0.40)	4.68 (0.43)	5.07 (0.47)	5.84 (0.54)	6.61 (0.61)							
40	2-7 53/64 (809)	4.91 (0.46)	5.35 (0.50)	5.79 (0.54)	6.68 (0.62)	7.56 (0.70)							
44	2-11 53/64 (910)	5.53 (0.51)	6.02 (0.56)	6.52 (0.61)	7.52 (0.70)	8.51 (0.79)							
48	3-3 53/64 (1012)	6.14 (0.57)	6.70 (0.62)	7.25 (0.67)	8.36 (0.78)	9.46 (0.88)							
54	3-9 53/64 (1164)	7.07 (0.66)	7.71 (0.72)	8.34 (0.77)	9.61 (0.89)	10.89 (1.01)							
56	3-11 53/64 (1215)	7.38 (0.69)	8.04 (0.75)	8.71 (0.81)	10.03 (0.93)	11.36 (1.06)							
60	4-3 53/64 (1317)	7.99 (0.74)	8.71 (0.81)	9.43 (0.88)	10.87 (1.01)	12.31 (1.14)							
64	4-7 53/64 (1418)	8.61 (0.80)	9.39 (0.87)	10.16 (0.94)	11.71 (1.09)	13.26 (1.23)							
72	5-3 53/64 (1621)	9.84 (0.91)	10.73 (1.00)	11.62 (1.08)	13.39 (1.24)	15.16 (1.41)							
78	5-9 53/64 (1774)	10.77 (1.00)	11.74 (1.09)	12.71 (1.18)	14.65 (1.36)	16.59 (1.54)							
84	6-3 53/64 (1926)	11.70 (1.09)	12.75 (1.18)	13.80 (1.28)	15.91 (1.48)	18.01 (1.67)							
92	6-11 53/64 (2129)	12.93 (1.20)	14.09 (1.31)	15.26 (1.42)	17.59 (1.63)	19.91 (1.85)							
96	7-3 53/64 (2231)	13.55 (1.26)	14.77 (1.37)	15.99 (1.49)	18.43 (1.71)	N/A							

Vent Openings: Awning - Full and Narrow Frame

CN	Opening Vent Width		Opening Vent Height		Vent Opening	
	ft - in	mm	ft - in	mm	ft <sup>2</sup>	m <sup>2</sup>
1614	0-11 1/64	(280)	0-8 1/64	(203)	0.61	(0.06)
1616	0-11 1/64	(280)	0-10 1/64	(254)	0.77	(0.07)
1618	0-11 1/64	(280)	1-0 1/64	(305)	0.92	(0.09)
1620	0-11 1/64	(280)	1-2 1/64	(356)	1.07	(0.10)
1624	0-11 1/64	(280)	1-6 1/64	(457)	1.38	(0.13)
1628	0-11 1/64	(280)	1-10 1/64	(559)	1.68	(0.16)
1632	0-11 1/64	(280)	2-2 1/64	(661)	1.99	(0.18)
1636	0-11 1/64	(280)	2-6 1/64	(762)	2.30	(0.21)
1640	0-11 1/64	(280)	2-10 1/64	(864)	2.60	(0.24)
1644	0-11 1/64	(280)	3-2 1/64	(965)	2.91	(0.27)
1648	0-11 1/64	(280)	3-6 1/64	(1067)	3.21	(0.30)
1654	0-11 1/64	(280)	4-0 1/64	(1219)	3.67	(0.34)
1656	0-11 1/64	(280)	4-2 1/64	(1270)	3.83	(0.36)
1660	0-11 1/64	(280)	4-6 1/64	(1372)	4.13	(0.38)
1664	0-11 1/64	(280)	4-10 1/64	(1473)	4.44	(0.41)
1672 T	0-11 1/64	(280)	5-6 1/64	(1677)	5.05	(0.47)
1814	1-1 1/64	(331)	0-8 1/64	(203)	0.72	(0.07)
1816	1-1 1/64	(331)	0-10 1/64	(254)	0.90	(0.08)
1818	1-1 1/64	(331)	1-0 1/64	(305)	1.09	(0.10)
1820	1-1 1/64	(331)	1-2 1/64	(356)	1.27	(0.12)
1824	1-1 1/64	(331)	1-6 1/64	(457)	1.63	(0.15)
1828	1-1 1/64	(331)	1-10 1/64	(559)	1.99	(0.18)
1832	1-1 1/64	(331)	2-2 1/64	(661)	2.35	(0.22)
1836	1-1 1/64	(331)	2-6 1/64	(762)	2.71	(0.25)
1840	1-1 1/64	(331)	2-10 1/64	(864)	3.07	(0.29)
1844	1-1 1/64	(331)	3-2 1/64	(965)	3.44	(0.32)
1848	1-1 1/64	(331)	3-6 1/64	(1067)	3.80	(0.35)
1854	1-1 1/64	(331)	4-0 1/64	(1219)	4.34	(0.40)
1856	1-1 1/64	(331)	4-2 1/64	(1270)	4.52	(0.42)
1860	1-1 1/64	(331)	4-6 1/64	(1372)	4.88	(0.45)
1864	1-1 1/64	(331)	4-10 1/64	(1473)	5.24	(0.49)
1872 T	1-1 1/64	(331)	5-6 1/64	(1677)	5.97	(0.55)
2014	1-3 1/64	(381)	0-8 1/64	(203)	0.84	(0.08)
2016	1-3 1/64	(381)	0-10 1/64	(254)	1.04	(0.10)
2018	1-3 1/64	(381)	1-0 1/64	(305)	1.25	(0.12)
2020	1-3 1/64	(381)	1-2 1/64	(356)	1.46	(0.14)
2024	1-3 1/64	(381)	1-6 1/64	(457)	1.88	(0.17)
2028	1-3 1/64	(381)	1-10 1/64	(559)	2.30	(0.21)
2032	1-3 1/64	(381)	2-2 1/64	(661)	2.71	(0.25)
2036	1-3 1/64	(381)	2-6 1/64	(762)	3.13	(0.29)
2040	1-3 1/64	(381)	2-10 1/64	(864)	3.55	(0.33)
2044	1-3 1/64	(381)	3-2 1/64	(965)	3.96	(0.37)
2048	1-3 1/64	(381)	3-6 1/64	(1067)	4.38	(0.41)
2054	1-3 1/64	(381)	4-0 1/64	(1219)	5.01	(0.47)
2056	1-3 1/64	(381)	4-2 1/64	(1270)	5.22	(0.48)
2060	1-3 1/64	(381)	4-6 1/64	(1372)	5.63	(0.52)
2064	1-3 1/64	(381)	4-10 1/64	(1473)	6.05	(0.56)
2072 T	1-3 1/64	(381)	5-6 1/64	(1677)	6.88	(0.64)

CN	Opening Vent Width		Opening Vent Height		Vent Opening	
	ft - in	mm	ft - in	mm	ft <sup>2</sup>	m <sup>2</sup>
2414	1-7 1/64	(483)	0-8 1/64	(203)	1.06	(0.10)
2416	1-7 1/64	(483)	0-10 1/64	(254)	1.32	(0.12)
2418	1-7 1/64	(483)	1-0 1/64	(305)	1.59	(0.15)
2420	1-7 1/64	(483)	1-2 1/64	(356)	1.85	(0.17)
2424	1-7 1/64	(483)	1-6 1/64	(457)	2.38	(0.22)
2428	1-7 1/64	(483)	1-10 1/64	(559)	2.91	(0.27)
2432	1-7 1/64	(483)	2-2 1/64	(661)	3.43	(0.32)
2436	1-7 1/64	(483)	2-6 1/64	(762)	3.96	(0.37)
2440	1-7 1/64	(483)	2-10 1/64	(864)	4.49	(0.42)
2444	1-7 1/64	(483)	3-2 1/64	(965)	5.02	(0.47)
2448	1-7 1/64	(483)	3-6 1/64	(1067)	5.55	(0.52)
2454	1-7 1/64	(483)	4-0 1/64	(1219)	6.34	(0.59)
2456	1-7 1/64	(483)	4-2 1/64	(1270)	6.60	(0.61)
2460	1-7 1/64	(483)	4-6 1/64	(1372)	7.13	(0.66)
2464	1-7 1/64	(483)	4-10 1/64	(1473)	7.66	(0.71)
2472 T	1-7 1/64	(483)	5-6 1/64	(1677)	8.72	(0.81)
2614	1-9 1/64	(534)	0-8 1/64	(203)	1.17	(0.11)
2616	1-9 1/64	(534)	0-10 1/64	(254)	1.46	(0.14)
2618	1-9 1/64	(534)	1-0 1/64	(305)	1.75	(0.16)
2620	1-9 1/64	(534)	1-2 1/64	(356)	2.04	(0.19)
2624	1-9 1/64	(534)	1-6 1/64	(457)	2.63	(0.24)
2628	1-9 1/64	(534)	1-10 1/64	(559)	3.21	(0.30)
2632	1-9 1/64	(534)	2-2 1/64	(661)	3.80	(0.35)
2636	1-9 1/64	(534)	2-6 1/64	(762)	4.38	(0.41)
2640	1-9 1/64	(534)	2-10 1/64	(864)	4.96	(0.46)
2644	1-9 1/64	(534)	3-2 1/64	(965)	5.55	(0.52)
2648	1-9 1/64	(534)	3-6 1/64	(1067)	6.13	(0.57)
2654	1-9 1/64	(534)	4-0 1/64	(1219)	7.01	(0.65)
2656	1-9 1/64	(534)	4-2 1/64	(1270)	7.30	(0.68)
2660	1-9 1/64	(534)	4-6 1/64	(1372)	7.88	(0.73)
2664	1-9 1/64	(534)	4-10 1/64	(1473)	8.47	(0.79)
2672 T	1-9 1/64	(534)	5-6 1/64	(1677)	9.63	(0.90)
2814	1-11 1/64	(585)	0-8 1/64	(203)	1.28	(0.12)
2816	1-11 1/64	(585)	0-10 1/64	(254)	1.60	(0.15)
2818	1-11 1/64	(585)	1-0 1/64	(305)	1.92	(0.18)
2820	1-11 1/64	(585)	1-2 1/64	(356)	2.24	(0.21)
2824	1-11 1/64	(585)	1-6 1/64	(457)	2.88	(0.27)
2828	1-11 1/64	(585)	1-10 1/64	(559)	3.52	(0.33)
2832	1-11 1/64	(585)	2-2 1/64	(661)	4.16	(0.39)
2836	1-11 1/64	(585)	2-6 1/64	(762)	4.80	(0.45)
2840	1-11 1/64	(585)	2-10 1/64	(864)	5.44	(0.51)
2844	1-11 1/64	(585)	3-2 1/64	(965)	6.08	(0.56)
2848	1-11 1/64	(585)	3-6 1/64	(1067)	6.71	(0.62)
2854	1-11 1/64	(585)	4-0 1/64	(1219)	7.67	(0.71)
2856	1-11 1/64	(585)	4-2 1/64	(1270)	7.99	(0.74)
2860	1-11 1/64	(585)	4-6 1/64	(1372)	8.63	(0.80)
2864	1-11 1/64	(585)	4-10 1/64	(1473)	9.27	(0.86)
2872 T	1-11 1/64	(585)	5-6 1/64	(1677)	10.55	(0.98)

Vent Openings: Awning - Full and Narrow Frame

CN	Opening Vent Width		Opening Vent Height		Vent Opening	
	ft - in	mm	ft - in	mm	ft <sup>2</sup>	m <sup>2</sup>
3014	2-1 1/64	(635)	0-8 1/64	(203)	1.39	(0.13)
3016	2-1 1/64	(635)	0-10 1/64	(254)	1.74	(0.16)
3018	2-1 1/64	(635)	1-0 1/64	(305)	2.09	(0.19)
3020	2-1 1/64	(635)	1-2 1/64	(356)	2.43	(0.23)
3024	2-1 1/64	(635)	1-6 1/64	(457)	3.13	(0.29)
3028	2-1 1/64	(635)	1-10 1/64	(559)	3.82	(0.36)
3032	2-1 1/64	(635)	2-2 1/64	(661)	4.52	(0.42)
3036	2-1 1/64	(635)	2-6 1/64	(762)	5.21	(0.48)
3040	2-1 1/64	(635)	2-10 1/64	(864)	5.91	(0.55)
3044	2-1 1/64	(635)	3-2 1/64	(965)	6.60	(0.61)
3048	2-1 1/64	(635)	3-6 1/64	(1067)	7.30	(0.68)
3054	2-1 1/64	(635)	4-0 1/64	(1219)	8.34	(0.77)
3056	2-1 1/64	(635)	4-2 1/64	(1270)	8.69	(0.81)
3060	2-1 1/64	(635)	4-6 1/64	(1372)	9.38	(0.87)
3064	2-1 1/64	(635)	4-10 1/64	(1473)	10.08	(0.94)
3072 T	2-1 1/64	(635)	5-6 1/64	(1677)	11.47	(1.07)
3214	2-3 1/64	(686)	0-8 1/64	(203)	1.50	(0.14)
3216	2-3 1/64	(686)	0-10 1/64	(254)	1.88	(0.17)
3218	2-3 1/64	(686)	1-0 1/64	(305)	2.25	(0.21)
3220	2-3 1/64	(686)	1-2 1/64	(356)	2.63	(0.24)
3224	2-3 1/64	(686)	1-6 1/64	(457)	3.38	(0.31)
3228	2-3 1/64	(686)	1-10 1/64	(559)	4.13	(0.38)
3232	2-3 1/64	(686)	2-2 1/64	(661)	4.88	(0.45)
3236	2-3 1/64	(686)	2-6 1/64	(762)	5.63	(0.52)
3240	2-3 1/64	(686)	2-10 1/64	(864)	6.38	(0.59)
3244	2-3 1/64	(686)	3-2 1/64	(965)	7.13	(0.66)
3248	2-3 1/64	(686)	3-6 1/64	(1067)	7.88	(0.73)
3254	2-3 1/64	(686)	4-0 1/64	(1219)	9.01	(0.84)
3256	2-3 1/64	(686)	4-2 1/64	(1270)	9.38	(0.87)
3260	2-3 1/64	(686)	4-6 1/64	(1372)	10.13	(0.94)
3264	2-3 1/64	(686)	4-10 1/64	(1473)	10.88	(1.01)
3272 T	2-3 1/64	(686)	5-6 1/64	(1677)	12.38	(1.15)
3614	2-7 1/64	(788)	0-8 1/64	(203)	1.73	(0.16)
3616	2-7 1/64	(788)	0-10 1/64	(254)	2.16	(0.20)
3618	2-7 1/64	(788)	1-0 1/64	(305)	2.59	(0.24)
3620	2-7 1/64	(788)	1-2 1/64	(356)	3.02	(0.28)
3624	2-7 1/64	(788)	1-6 1/64	(457)	3.88	(0.36)
3628	2-7 1/64	(788)	1-10 1/64	(559)	4.74	(0.44)
3632	2-7 1/64	(788)	2-2 1/64	(661)	5.60	(0.52)
3636	2-7 1/64	(788)	2-6 1/64	(762)	6.46	(0.60)
3640	2-7 1/64	(788)	2-10 1/64	(864)	7.33	(0.68)
3644	2-7 1/64	(788)	3-2 1/64	(965)	8.19	(0.76)
3648	2-7 1/64	(788)	3-6 1/64	(1067)	9.05	(0.84)
3654	2-7 1/64	(788)	4-0 1/64	(1219)	10.34	(0.96)
3656	2-7 1/64	(788)	4-2 1/64	(1270)	10.77	(1.00)
3660	2-7 1/64	(788)	4-6 1/64	(1372)	11.63	(1.08)
3664	2-7 1/64	(788)	4-10 1/64	(1473)	12.49	(1.16)
3672 T	2-7 1/64	(788)	5-6 1/64	(1677)	14.22	(1.32)

CN	Opening Vent Width		Opening Vent Height		Vent Opening	
	ft - in	mm	ft - in	mm	ft <sup>2</sup>	m <sup>2</sup>
4014	2-11 1/64	(889)	0-8 1/64	(203)	1.95	(0.18)
4016	2-11 1/64	(889)	0-10 1/64	(254)	2.43	(0.23)
4018	2-11 1/64	(889)	1-0 1/64	(305)	2.92	(0.27)
4020	2-11 1/64	(889)	1-2 1/64	(356)	3.41	(0.32)
4024	2-11 1/64	(889)	1-6 1/64	(457)	4.38	(0.41)
4028	2-11 1/64	(889)	1-10 1/64	(559)	5.35	(0.50)
4032	2-11 1/64	(889)	2-2 1/64	(661)	6.33	(0.59)
4036	2-11 1/64	(889)	2-6 1/64	(762)	7.30	(0.68)
4040	2-11 1/64	(889)	2-10 1/64	(864)	8.27	(0.77)
4044	2-11 1/64	(889)	3-2 1/64	(965)	9.24	(0.86)
4048	2-11 1/64	(889)	3-6 1/64	(1067)	10.22	(0.95)
4054	2-11 1/64	(889)	4-0 1/64	(1219)	11.67	(1.08)
4056	2-11 1/64	(889)	4-2 1/64	(1270)	12.16	(1.13)
4060	2-11 1/64	(889)	4-6 1/64	(1372)	13.13	(1.22)
4064	2-11 1/64	(889)	4-10 1/64	(1473)	14.11	(1.31)
4072 T	2-11 1/64	(889)	5-6 1/64	(1677)	16.05	(1.49)
4814	3-7 1/64	(1093)	0-8 1/64	(203)	2.39	(0.22)
4816	3-7 1/64	(1093)	0-10 1/64	(254)	2.99	(0.28)
4818	3-7 1/64	(1093)	1-0 1/64	(305)	3.59	(0.33)
4820	3-7 1/64	(1093)	1-2 1/64	(356)	4.19	(0.39)
4824	3-7 1/64	(1093)	1-6 1/64	(457)	5.38	(0.50)
4828	3-7 1/64	(1093)	1-10 1/64	(559)	6.58	(0.61)
4832	3-7 1/64	(1093)	2-2 1/64	(661)	7.77	(0.72)
4836	3-7 1/64	(1093)	2-6 1/64	(762)	8.96	(0.83)
4840	3-7 1/64	(1093)	2-10 1/64	(864)	10.16	(0.94)
4844	3-7 1/64	(1093)	3-2 1/64	(965)	11.35	(1.05)
4848	3-7 1/64	(1093)	3-6 1/64	(1067)	12.55	(1.17)
4854	3-7 1/64	(1093)	4-0 1/64	(1219)	14.34	(1.33)
4856	3-7 1/64	(1093)	4-2 1/64	(1270)	14.94	(1.39)
4860	3-7 1/64	(1093)	4-6 1/64	(1372)	16.13	(1.50)
4864	3-7 1/64	(1093)	4-10 1/64	(1473)	17.33	(1.61)
4872 T	3-7 1/64	(1093)	5-6 1/64	(1677)	19.72	(1.83)
5614	4-3 1/64	(1296)	0-8 1/64	(203)	2.84	(0.26)
5616	4-3 1/64	(1296)	0-10 1/64	(254)	3.55	(0.33)
5618	4-3 1/64	(1296)	1-0 1/64	(305)	4.26	(0.40)
5620	4-3 1/64	(1296)	1-2 1/64	(356)	4.96	(0.46)
5624	4-3 1/64	(1296)	1-6 1/64	(457)	6.38	(0.59)
5628	4-3 1/64	(1296)	1-10 1/64	(559)	7.80	(0.72)
5632	4-3 1/64	(1296)	2-2 1/64	(661)	9.22	(0.86)
5636	4-3 1/64	(1296)	2-6 1/64	(762)	10.63	(0.99)
5640	4-3 1/64	(1296)	2-10 1/64	(864)	12.05	(1.12)
5644	4-3 1/64	(1296)	3-2 1/64	(965)	13.47	(1.25)
5648	4-3 1/64	(1296)	3-6 1/64	(1067)	14.88	(1.38)
5654	4-3 1/64	(1296)	4-0 1/64	(1219)	17.01	(1.58)
5656	4-3 1/64	(1296)	4-2 1/64	(1270)	17.72	(1.65)
5660	4-3 1/64	(1296)	4-6 1/64	(1372)	19.13	(1.78)
5664	4-3 1/64	(1296)	4-10 1/64	(1473)	20.55	(1.91)
5672 T	4-3 1/64	(1296)	5-6 1/64	(1677)	23.39	(2.17)

Vent Openings: Awning - Full and Narrow Frame

CN	Opening Vent Width		Opening Vent Height		Vent Opening	
	ft - in	mm	ft - in	mm	ft <sup>2</sup>	m <sup>2</sup>
6014	4-7 1/64	(1397)	0-8 1/64	(203)	3.06	(0.28)
6016	4-7 1/64	(1397)	0-10 1/64	(254)	3.82	(0.36)
6018	4-7 1/64	(1397)	1-0 1/64	(305)	4.59	(0.43)
6020	4-7 1/64	(1397)	1-2 1/64	(356)	5.35	(0.50)
6024	4-7 1/64	(1397)	1-6 1/64	(457)	6.88	(0.64)
6028	4-7 1/64	(1397)	1-10 1/64	(559)	8.41	(0.78)
6032	4-7 1/64	(1397)	2-2 1/64	(661)	9.94	(0.92)
6036	4-7 1/64	(1397)	2-6 1/64	(762)	11.47	(1.07)
6040	4-7 1/64	(1397)	2-10 1/64	(864)	12.99	(1.21)
6044	4-7 1/64	(1397)	3-2 1/64	(965)	14.52	(1.35)
6048	4-7 1/64	(1397)	3-6 1/64	(1067)	16.05	(1.49)
6054	4-7 1/64	(1397)	4-0 1/64	(1219)	18.34	(1.70)
6056	4-7 1/64	(1397)	4-2 1/64	(1270)	19.11	(1.78)
6060	4-7 1/64	(1397)	4-6 1/64	(1372)	20.64	(1.92)
6064 T	4-7 1/64	(1397)	4-10 1/64	(1473)	22.16	(2.06)
6072 T	4-7 1/64	(1397)	5-6 1/64	(1677)	25.22	(2.34)
6414	4-11 1/64	(1499)	0-8 1/64	(203)	3.28	(0.31)
6416	4-11 1/64	(1499)	0-10 1/64	(254)	4.10	(0.38)
6418	4-11 1/64	(1499)	1-0 1/64	(305)	4.92	(0.46)
6420	4-11 1/64	(1499)	1-2 1/64	(356)	5.74	(0.53)
6424	4-11 1/64	(1499)	1-6 1/64	(457)	7.38	(0.69)
6428	4-11 1/64	(1499)	1-10 1/64	(559)	9.02	(0.84)
6432	4-11 1/64	(1499)	2-2 1/64	(661)	10.66	(0.99)
6436	4-11 1/64	(1499)	2-6 1/64	(762)	12.30	(1.14)
6440	4-11 1/64	(1499)	2-10 1/64	(864)	13.94	(1.29)
6444	4-11 1/64	(1499)	3-2 1/64	(965)	15.58	(1.45)
6448	4-11 1/64	(1499)	3-6 1/64	(1067)	17.22	(1.60)
6454	4-11 1/64	(1499)	4-0 1/64	(1219)	19.68	(1.83)
6456	4-11 1/64	(1499)	4-2 1/64	(1270)	20.50	(1.90)
6460 T	4-11 1/64	(1499)	4-6 1/64	(1372)	22.14	(2.06)
6464 T	4-11 1/64	(1499)	4-10 1/64	(1473)	23.77	(2.21)
6472 T	4-11 1/64	(1499)	5-6 1/64	(1677)	27.05	(2.51)
7214	5-7 1/64	(1702)	0-8 1/64	(203)	3.73	(0.35)
7216	5-7 1/64	(1702)	0-10 1/64	(254)	4.66	(0.43)
7218	5-7 1/64	(1702)	1-0 1/64	(305)	5.59	(0.52)
7220	5-7 1/64	(1702)	1-2 1/64	(356)	6.52	(0.61)
7224	5-7 1/64	(1702)	1-6 1/64	(457)	8.38	(0.78)
7228	5-7 1/64	(1702)	1-10 1/64	(559)	10.24	(0.95)
7232	5-7 1/64	(1702)	2-2 1/64	(661)	12.11	(1.12)
7236	5-7 1/64	(1702)	2-6 1/64	(762)	13.97	(1.30)
7240	5-7 1/64	(1702)	2-10 1/64	(864)	15.83	(1.47)
7244	5-7 1/64	(1702)	3-2 1/64	(965)	17.69	(1.64)
7248	5-7 1/64	(1702)	3-6 1/64	(1067)	19.55	(1.82)
7254 T	5-7 1/64	(1702)	4-0 1/64	(1219)	22.34	(2.08)
7256 T	5-7 1/64	(1702)	4-2 1/64	(1270)	23.27	(2.16)
7260 T	5-7 1/64	(1702)	4-6 1/64	(1372)	25.14	(2.34)
7264 T	5-7 1/64	(1702)	4-10 1/64	(1473)	27.00	(2.51)
7272 T	5-7 1/64	(1702)	5-6 1/64	(1677)	30.72	(2.85)

Daylight Measurement: Awning - Full and Narrow Frame

Ultimate Awning Daylight Measurements			Width										
			CN	16		18		20		24		26	
			DLO	0-10 13/64 (259)	1-0 13/64 (310)	1-2 13/64 (361)	1-6 13/64 (462)	1-8 13/64 (513)					
CN	DLO Height	Square Feet (Square Meters)											
<b>Standard Bottom Rail</b>													
14	0-7 21/64 (186)	0.52 (0.05)	0.62 (0.06)	0.72 (0.07)	0.93 (0.09)	1.03 (0.10)							
16	0-9 21/64 (237)	0.66 (0.06)	0.79 (0.07)	0.92 (0.09)	1.18 (0.11)	1.31 (0.12)							
18	0-11 21/64 (288)	0.80 (0.07)	0.96 (0.09)	1.12 (0.10)	1.43 (0.13)	1.59 (0.15)							
20	1-1 21/64 (339)	0.95 (0.09)	1.13 (0.11)	1.32 (0.12)	1.69 (0.16)	1.87 (0.17)							
24	1-5 21/64 (440)	1.23 (0.11)	1.47 (0.14)	1.71 (0.16)	2.19 (0.20)	2.43 (0.23)							
28	1-9 21/64 (542)	1.51 (0.14)	1.81 (0.17)	2.10 (0.20)	2.70 (0.25)	2.99 (0.28)							
32	2-1 21/64 (643)	1.80 (0.17)	2.15 (0.20)	2.50 (0.23)	3.20 (0.30)	3.56 (0.33)							
36	2-5 21/64 (745)	2.08 (0.19)	2.49 (0.23)	2.89 (0.27)	3.71 (0.34)	4.12 (0.38)							
40	2-9 21/64 (847)	2.36 (0.22)	2.83 (0.26)	3.29 (0.31)	4.21 (0.39)	4.68 (0.43)							
44	3-1 21/64 (948)	2.65 (0.25)	3.17 (0.29)	3.68 (0.34)	4.72 (0.44)	5.24 (0.49)							
48	3-5 21/64 (1050)	2.93 (0.27)	3.50 (0.33)	4.08 (0.38)	5.23 (0.49)	5.80 (0.54)							
54	3-11 21/64 (1202)	3.36 (0.31)	4.01 (0.37)	4.67 (0.43)	5.98 (0.56)	6.64 (0.62)							
56	4-1 21/64 (1253)	3.50 (0.32)	4.18 (0.39)	4.87 (0.45)	6.24 (0.58)	6.92 (0.64)							
60	4-5 21/64 (1355)	3.78 (0.35)	4.52 (0.42)	5.26 (0.49)	6.74 (0.63)	7.48 (0.70)							
64	4-9 21/64 (1456)	4.06 (0.38)	4.86 (0.45)	5.66 (0.53)	7.25 (0.67)	8.05 (0.75)							
72	5-5 21/64 (1659)	4.63 (0.43)	5.54 (0.51)	6.45 (0.60)	8.26 (0.77)	9.17 (0.85)							
<b>Tall Bottom Rail</b>													
14	0-5 53/64 (148)	0.41 (0.04)	0.49 (0.05)	0.58 (0.05)	0.74 (0.07)	0.82 (0.08)							
16	0-7 53/64 (199)	0.56 (0.05)	0.66 (0.06)	0.77 (0.07)	0.99 (0.09)	1.10 (0.10)							
18	0-9 53/64 (250)	0.70 (0.06)	0.83 (0.08)	0.97 (0.09)	1.24 (0.12)	1.38 (0.13)							
20	0-11 53/64 (301)	0.84 (0.08)	1.00 (0.09)	1.17 (0.11)	1.50 (0.14)	1.66 (0.15)							
24	1-3 53/64 (402)	1.12 (0.10)	1.34 (0.12)	1.56 (0.15)	2.00 (0.19)	2.22 (0.21)							
28	1-7 53/64 (504)	1.41 (0.13)	1.68 (0.16)	1.96 (0.18)	2.51 (0.23)	2.78 (0.26)							
32	1-11 53/64 (605)	1.69 (0.16)	2.02 (0.19)	2.35 (0.22)	3.01 (0.28)	3.34 (0.31)							
36	2-3 53/64 (707)	1.97 (0.18)	2.36 (0.22)	2.75 (0.26)	3.52 (0.33)	3.91 (0.36)							
40	2-7 53/64 (809)	2.26 (0.21)	2.70 (0.25)	3.14 (0.29)	4.03 (0.37)	4.47 (0.42)							
44	2-11 53/64 (910)	2.54 (0.24)	3.04 (0.28)	3.54 (0.33)	4.53 (0.42)	5.03 (0.47)							
48	3-3 53/64 (1012)	2.82 (0.26)	3.38 (0.31)	3.93 (0.37)	5.04 (0.47)	5.59 (0.52)							
54	3-9 53/64 (1164)	3.25 (0.30)	3.89 (0.36)	4.52 (0.42)	5.80 (0.54)	6.43 (0.60)							
56	3-11 53/64 (1215)	3.39 (0.32)	4.06 (0.38)	4.72 (0.44)	6.05 (0.56)	6.71 (0.62)							
60	4-3 53/64 (1317)	3.67 (0.34)	4.39 (0.41)	5.11 (0.48)	6.55 (0.61)	7.27 (0.68)							
64	4-7 53/64 (1418)	3.96 (0.37)	4.73 (0.44)	5.51 (0.51)	7.06 (0.66)	7.84 (0.73)							
72	5-3 53/64 (1621)	4.53 (0.42)	5.41 (0.50)	6.30 (0.59)	8.07 (0.75)	8.96 (0.83)							



Daylight Measurement: Awning - Full and Narrow Frame

Ultimate Awning Daylight Measurements			Width										
			CN	28		30		32		36		40	
			DLO	1-10 13/64 (564)	2-0 13/64 (615)	2-2 13/64 (666)	2-6 13/64 (767)	2-10 13/64 (869)					
CN	DLO Height	Square Feet (Square Meters)											
<b>Standard Bottom Rail</b>													
14	0-7 21/64 (186)	1.13 (0.11)	1.23 (0.11)	1.33 (0.12)	1.54 (0.14)	1.74 (0.16)							
16	0-9 21/64 (237)	1.44 (0.13)	1.57 (0.15)	1.70 (0.16)	1.96 (0.18)	2.22 (0.21)							
18	0-11 21/64 (288)	1.75 (0.16)	1.91 (0.18)	2.06 (0.19)	2.38 (0.22)	2.69 (0.25)							
20	1-1 21/64 (339)	2.06 (0.19)	2.24 (0.21)	2.43 (0.23)	2.80 (0.26)	3.17 (0.29)							
24	1-5 21/64 (440)	2.67 (0.25)	2.91 (0.27)	3.15 (0.29)	3.64 (0.34)	4.12 (0.38)							
28	1-9 21/64 (542)	3.29 (0.31)	3.59 (0.33)	3.88 (0.36)	4.48 (0.42)	5.07 (0.47)							
32	2-1 21/64 (643)	3.91 (0.36)	4.26 (0.40)	4.61 (0.43)	5.31 (0.49)	6.02 (0.56)							
36	2-5 21/64 (745)	4.52 (0.42)	4.93 (0.46)	5.34 (0.50)	6.15 (0.57)	6.97 (0.65)							
40	2-9 21/64 (847)	5.14 (0.48)	5.60 (0.52)	6.07 (0.56)	6.99 (0.65)	7.92 (0.74)							
44	3-1 21/64 (948)	5.76 (0.53)	6.28 (0.58)	6.79 (0.63)	7.83 (0.73)	8.87 (0.82)							
48	3-5 21/64 (1050)	6.37 (0.59)	6.95 (0.65)	7.52 (0.70)	8.67 (0.81)	9.82 (0.91)							
54	3-11 21/64 (1202)	7.30 (0.68)	7.96 (0.74)	8.61 (0.80)	9.93 (0.92)	11.24 (1.04)							
56	4-1 21/64 (1253)	7.61 (0.71)	8.29 (0.77)	8.98 (0.83)	10.35 (0.96)	11.72 (1.09)							
60	4-5 21/64 (1355)	8.23 (0.76)	8.97 (0.83)	9.71 (0.90)	11.19 (1.04)	12.67 (1.18)							
64	4-9 21/64 (1456)	8.84 (0.82)	9.64 (0.90)	10.43 (0.97)	12.03 (1.12)	13.62 (1.27)							
72	5-5 21/64 (1659)	10.08 (0.94)	10.98 (1.02)	11.89 (1.10)	13.71 (1.27)	15.52 (1.44)							
<b>Tall Bottom Rail</b>													
14	0-5 53/64 (148)	0.90 (0.08)	0.98 (0.09)	1.06 (0.10)	1.22 (0.11)	1.39 (0.13)							
16	0-7 53/64 (199)	1.21 (0.11)	1.32 (0.12)	1.43 (0.13)	1.64 (0.15)	1.86 (0.17)							
18	0-9 53/64 (250)	1.52 (0.14)	1.65 (0.15)	1.79 (0.17)	2.06 (0.19)	2.34 (0.22)							
20	0-11 53/64 (301)	1.82 (0.17)	1.99 (0.18)	2.15 (0.20)	2.48 (0.23)	2.81 (0.26)							
24	1-3 53/64 (402)	2.44 (0.23)	2.66 (0.25)	2.88 (0.27)	3.32 (0.31)	3.76 (0.35)							
28	1-7 53/64 (504)	3.06 (0.28)	3.33 (0.31)	3.61 (0.34)	4.16 (0.39)	4.71 (0.44)							
32	1-11 53/64 (605)	3.68 (0.34)	4.01 (0.37)	4.34 (0.40)	5.00 (0.46)	5.66 (0.53)							
36	2-3 53/64 (707)	4.29 (0.40)	4.68 (0.43)	5.07 (0.47)	5.84 (0.54)	6.61 (0.61)							
40	2-7 53/64 (809)	4.91 (0.46)	5.35 (0.50)	5.79 (0.54)	6.68 (0.62)	7.56 (0.70)							
44	2-11 53/64 (910)	5.53 (0.51)	6.02 (0.56)	6.52 (0.61)	7.52 (0.70)	8.51 (0.79)							
48	3-3 53/64 (1012)	6.14 (0.57)	6.70 (0.62)	7.25 (0.67)	8.36 (0.78)	9.46 (0.88)							
54	3-9 53/64 (1164)	7.07 (0.66)	7.71 (0.72)	8.34 (0.77)	9.61 (0.89)	10.89 (1.01)							
56	3-11 53/64 (1215)	7.38 (0.69)	8.04 (0.75)	8.71 (0.81)	10.03 (0.93)	11.36 (1.06)							
60	4-3 53/64 (1317)	7.99 (0.74)	8.71 (0.81)	9.43 (0.88)	10.87 (1.01)	12.31 (1.14)							
64	4-7 53/64 (1418)	8.61 (0.80)	9.39 (0.87)	10.16 (0.94)	11.71 (1.09)	13.26 (1.23)							
72	5-3 53/64 (1621)	9.84 (0.91)	10.73 (1.00)	11.62 (1.08)	13.39 (1.24)	15.16 (1.41)							

Daylight Measurement: Awning - Full and Narrow Frame

Ultimate Awning Daylight Measurements			Width										
			CN	48		56		60		64		72	
			DLO	3-6 13/64	(1072)	4-2 13/64	(1275)	4-6 13/64	(1377)	4-10 13/64	(1478)	5-6 13/64	(1682)
CN	DLO Height		Square Feet (Square Meters)										
Standard Bottom Rail													
14	0-7 21/64	(186)	2.15	(0.20)	2.56	(0.24)	2.76	(0.26)	2.96	(0.28)	3.37	(0.31)	
16	0-9 21/64	(237)	2.74	(0.25)	3.25	(0.30)	3.51	(0.33)	3.77	(0.35)	4.29	(0.40)	
18	0-11 21/64	(288)	3.32	(0.31)	3.95	(0.37)	4.27	(0.40)	4.58	(0.43)	5.21	(0.48)	
20	1-1 21/64	(339)	3.91	(0.36)	4.65	(0.43)	5.02	(0.47)	5.39	(0.50)	6.13	(0.57)	
24	1-5 21/64	(440)	5.08	(0.47)	6.04	(0.56)	6.52	(0.61)	7.01	(0.65)	7.97	(0.74)	
28	1-9 21/64	(542)	6.25	(0.58)	7.44	(0.69)	8.03	(0.75)	8.62	(0.80)	9.81	(0.91)	
32	2-1 21/64	(643)	7.43	(0.69)	8.83	(0.82)	9.54	(0.89)	10.24	(0.95)	11.65	(1.08)	
36	2-5 21/64	(745)	8.60	(0.80)	10.23	(0.95)	11.04	(1.03)	11.86	(1.10)	13.49	(1.25)	
40	2-9 21/64	(847)	9.77	(0.91)	11.62	(1.08)	12.55	(1.17)	13.47	(1.25)	15.33	(1.42)	
44	3-1 21/64	(948)	10.94	(1.02)	13.02	(1.21)	14.05	(1.31)	15.09	(1.40)	17.16	(1.59)	
48	3-5 21/64	(1050)	12.12	(1.13)	14.41	(1.34)	15.56	(1.45)	16.71	(1.55)	19.0	(1.77)	
54	3-11 21/64	(1202)	13.87	(1.29)	16.50	(1.53)	17.82	(1.66)	19.13	(1.78)	21.76	(2.02)	
56	4-1 21/64	(1253)	14.46	(1.34)	17.20	(1.60)	18.57	(1.73)	19.94	(1.85)	22.68	(2.11)	
60	4-5 21/64	(1355)	15.63	(1.45)	18.60	(1.73)	20.08	(1.87)	21.56	(2.00)	24.52	(2.28)	
64	4-9 21/64	(1456)	16.80	(1.56)	19.99	(1.86)	21.58	(2.01)	23.18	(2.15)	26.36	(2.45)	
72	5-5 21/64	(1659)	19.15	(1.78)	22.78	(2.12)	24.59	(2.28)	26.41	(2.45)	30.04	(2.79)	
Tall Bottom Rail													
14	0-5 53/64	(148)	1.71	(0.16)	2.03	(0.19)	2.20	(0.20)	2.36	(0.22)	2.68	(0.25)	
16	0-7 53/64	(199)	2.30	(0.21)	2.73	(0.25)	2.95	(0.27)	3.17	(0.29)	3.60	(0.33)	
18	0-9 53/64	(250)	2.88	(0.27)	3.43	(0.32)	3.70	(0.34)	3.97	(0.37)	4.52	(0.42)	
20	0-11 53/64	(301)	3.47	(0.32)	4.13	(0.38)	4.45	(0.41)	4.78	(0.44)	5.44	(0.51)	
24	1-3 53/64	(402)	4.64	(0.43)	5.52	(0.51)	5.96	(0.55)	6.40	(0.59)	7.28	(0.68)	
28	1-7 53/64	(504)	5.81	(0.54)	6.92	(0.64)	7.47	(0.69)	8.02	(0.74)	9.12	(0.85)	
32	1-11 53/64	(605)	6.99	(0.65)	8.31	(0.77)	8.97	(0.83)	9.63	(0.90)	10.96	(1.02)	
36	2-3 53/64	(707)	8.16	(0.76)	9.70	(0.90)	10.48	(0.97)	11.25	(1.05)	12.80	(1.19)	
40	2-7 53/64	(809)	9.33	(0.87)	11.10	(1.03)	11.98	(1.11)	12.87	(1.20)	14.64	(1.36)	
44	2-11 53/64	(910)	10.50	(0.98)	12.49	(1.16)	13.49	(1.25)	14.48	(1.35)	16.48	(1.53)	
48	3-3 53/64	(1012)	11.68	(1.08)	13.89	(1.29)	14.99	(1.39)	16.10	(1.50)	18.31	(1.70)	
54	3-9 53/64	(1164)	13.43	(1.25)	15.98	(1.48)	17.25	(1.60)	18.53	(1.72)	21.07	(1.96)	
56	3-11 53/64	(1215)	14.02	(1.30)	16.68	(1.55)	18.01	(1.67)	19.34	(1.80)	21.99	(2.04)	
60	4-3 53/64	(1317)	15.19	(1.41)	18.07	(1.68)	19.51	(1.81)	20.95	(1.95)	23.83	(2.21)	
64	4-7 53/64	(1418)	16.37	(1.52)	19.47	(1.81)	21.02	(1.95)	22.57	(2.10)	25.67	(2.38)	
72	5-3 53/64	(1621)	18.71	(1.74)	22.26	(2.07)	24.03	(2.23)	25.80	(2.40)	29.35	(2.73)	

## Daylight Measurement: Picture - Full and Narrow Frame

Ultimate Casement Picture Daylight Measurements		Width										
		CN	40		48		56		60		64	
		DLO	2-10 13/64 (869)	3-6 13/64 (1072)	4-2 13/64 (1275)	4-6 13/64 (1377)	4-10 13/64 (1478)					
CN	DLO Height	Square Feet (Square Meters)										
		Standard Bottom Rail										
12	0-5 21/64 (135)	1.27 (0.12)	1.56 (0.15)	1.86 (0.17)	2.01 (0.19)	2.16 (0.20)						
14	0-7 21/64 (186)	1.74 (0.16)	2.15 (0.20)	2.56 (0.24)	2.76 (0.26)	2.96 (0.28)						
16	0-9 21/64 (237)	2.22 (0.21)	2.74 (0.25)	3.25 (0.30)	3.51 (0.33)	3.77 (0.35)						
18	0-11 21/64 (288)	2.69 (0.25)	3.32 (0.31)	3.95 (0.37)	4.27 (0.40)	4.58 (0.43)						
20	1-1 21/64 (339)	3.17 (0.29)	3.91 (0.36)	4.65 (0.43)	5.02 (0.47)	5.39 (0.50)						
24	1-5 21/64 (440)	4.12 (0.38)	5.08 (0.47)	6.04 (0.56)	6.52 (0.61)	7.01 (0.65)						
28	1-9 21/64 (542)	5.07 (0.47)	6.25 (0.58)	7.44 (0.69)	8.03 (0.75)	8.62 (0.80)						
32	2-1 21/64 (643)	6.02 (0.56)	7.43 (0.69)	8.83 (0.82)	9.54 (0.89)	10.24 (0.95)						
36	2-5 21/64 (745)	6.97 (0.65)	8.60 (0.80)	10.23 (0.95)	11.04 (1.03)	11.86 (1.10)						
40	2-9 21/64 (847)	7.92 (0.74)	9.77 (0.91)	11.62 (1.08)	12.55 (1.17)	13.47 (1.25)						
44	3-1 21/64 (948)	8.87 (0.82)	10.94 (1.02)	13.02 (1.21)	14.05 (1.31)	15.09 (1.40)						
48	3-5 21/64 (1050)	9.82 (0.91)	12.12 (1.13)	14.41 (1.34)	15.56 (1.45)	16.71 (1.55)						
54	3-11 21/64 (1202)	11.24 (1.04)	13.87 (1.29)	16.50 (1.53)	17.82 (1.66)	19.13 (1.78)						
56	4-1 21/64 (1253)	11.72 (1.09)	14.46 (1.34)	17.20 (1.60)	18.57 (1.73)	19.94 (1.85)						
60	4-5 21/64 (1355)	12.67 (1.18)	15.63 (1.45)	18.60 (1.73)	20.08 (1.87)	21.56 (2.00)						
64	4-9 21/64 (1456)	13.62 (1.27)	16.80 (1.56)	19.99 (1.86)	21.58 (2.01)	23.18 (2.15)						
72	5-5 21/64 (1659)	15.52 (1.44)	19.15 (1.78)	22.78 (2.12)	24.59 (2.28)	26.41 (2.45)						
78	5-11 21/64 (1812)	16.95 (1.57)	20.91 (1.94)	24.87 (2.31)	26.85 (2.49)	28.83 (2.68)						
84	6-5 21/64 (1964)	18.37 (1.71)	22.67 (2.11)	26.96 (2.50)	29.11 (2.70)	31.26 (2.90)						
92	7-1 21/64 (2167)	20.27 (1.88)	25.01 (2.32)	29.75 (2.76)	32.12 (2.98)	34.49 (3.20)						
96	7-5 21/64 (2269)	21.22 (1.97)	26.18 (2.43)	31.15 (2.89)	33.63 (3.12)	36.11 (3.35)						
		Tall Bottom Rail										
12	0-3 53/64 (97)	0.91 (0.08)	1.12 (0.10)	1.34 (0.12)	1.44 (0.13)	1.55 (0.14)						
14	0-5 53/64 (148)	1.39 (0.13)	1.71 (0.16)	2.03 (0.19)	2.20 (0.20)	2.36 (0.22)						
16	0-7 53/64 (199)	1.86 (0.17)	2.30 (0.21)	2.73 (0.25)	2.95 (0.27)	3.17 (0.29)						
18	0-9 53/64 (250)	2.34 (0.22)	2.88 (0.27)	3.43 (0.32)	3.70 (0.34)	3.97 (0.37)						
20	0-11 53/64 (301)	2.81 (0.26)	3.47 (0.32)	4.13 (0.38)	4.45 (0.41)	4.78 (0.44)						
24	1-3 53/64 (402)	3.76 (0.35)	4.64 (0.43)	5.52 (0.51)	5.96 (0.55)	6.40 (0.59)						
28	1-7 53/64 (504)	4.71 (0.44)	5.81 (0.54)	6.92 (0.64)	7.47 (0.69)	8.02 (0.74)						
32	1-11 53/64 (605)	5.66 (0.53)	6.99 (0.65)	8.31 (0.77)	8.97 (0.83)	9.63 (0.90)						
36	2-3 53/64 (707)	6.61 (0.61)	8.16 (0.76)	9.70 (0.90)	10.48 (0.97)	11.25 (1.05)						
40	2-7 53/64 (809)	7.56 (0.70)	9.33 (0.87)	11.10 (1.03)	11.98 (1.11)	12.87 (1.20)						
44	2-11 53/64 (910)	8.51 (0.79)	10.50 (0.98)	12.49 (1.16)	13.49 (1.25)	14.48 (1.35)						
48	3-3 53/64 (1012)	9.46 (0.88)	11.68 (1.08)	13.89 (1.29)	14.99 (1.39)	16.10 (1.50)						
54	3-9 53/64 (1164)	10.89 (1.01)	13.43 (1.25)	15.98 (1.48)	17.25 (1.60)	18.53 (1.72)						
56	3-11 53/64 (1215)	11.36 (1.06)	14.02 (1.30)	16.68 (1.55)	18.01 (1.67)	19.34 (1.80)						
60	4-3 53/64 (1317)	12.31 (1.14)	15.19 (1.41)	18.07 (1.68)	19.51 (1.81)	20.95 (1.95)						
64	4-7 53/64 (1418)	13.26 (1.23)	16.37 (1.52)	19.47 (1.81)	21.02 (1.95)	22.57 (2.10)						
72	5-3 53/64 (1621)	15.16 (1.41)	18.71 (1.74)	22.26 (2.07)	24.03 (2.23)	25.80 (2.40)						
78	5-9 53/64 (1774)	16.59 (1.54)	20.47 (1.90)	24.35 (2.26)	26.29 (2.44)	28.23 (2.62)						
84	6-3 53/64 (1926)	18.01 (1.67)	22.23 (2.07)	26.44 (2.46)	28.55 (2.65)	30.65 (2.85)						
92	6-11 53/64 (2129)	19.91 (1.85)	24.57 (2.28)	29.23 (2.72)	31.56 (2.93)	33.89 (3.15)						
96	7-3 53/64 (2231)	20.87 (1.94)	25.74 (2.39)	30.62 (2.85)	33.06 (3.07)	35.50 (3.30)						

Daylight Measurement: Picture - Full and Narrow Frame

Ultimate Casement Picture Daylight Measurements			Width								
			CN	72		80		88		96	
			DLO	5-6 13/64	(1682)	6-2 13/64	(1885)	6-10 13/64	(2088)	7-6 13/64	(2291)
CN	DLO Height		Square Feet (Square Meters)								
			Standard Bottom Rail								
12	0-5 21/64	(135)	2.45	(0.23)	2.75	(0.26)	3.04	(0.28)	3.34	(0.31)	
14	0-7 21/64	(186)	3.37	(0.31)	3.78	(0.35)	4.19	(0.39)	4.59	(0.43)	
16	0-9 21/64	(237)	4.29	(0.40)	4.81	(0.45)	5.33	(0.49)	5.85	(0.54)	
18	0-11 21/64	(288)	5.21	(0.48)	5.84	(0.54)	6.47	(0.60)	7.10	(0.66)	
20	1-1 21/64	(339)	6.13	(0.57)	6.87	(0.64)	7.61	(0.71)	8.35	(0.78)	
24	1-5 21/64	(440)	7.97	(0.74)	8.93	(0.83)	9.90	(0.92)	10.86	(1.01)	
28	1-9 21/64	(542)	9.81	(0.91)	10.99	(1.02)	12.18	(1.13)	13.36	(1.24)	
32	2-1 21/64	(643)	11.65	(1.08)	13.05	(1.21)	14.46	(1.34)	15.87	(1.47)	
36	2-5 21/64	(745)	13.49	(1.25)	15.12	(1.40)	16.75	(1.56)	18.38	(1.71)	
40	2-9 21/64	(847)	15.33	(1.42)	17.18	(1.60)	19.03	(1.77)	20.88	(1.94)	
44	3-1 21/64	(948)	17.16	(1.59)	19.24	(1.79)	21.31	(1.98)	23.39	(2.17)	
48	3-5 21/64	(1050)	19.00	(1.77)	21.30	(1.98)	23.60	(2.19)	25.89	(2.41)	
54	3-11 21/64	(1202)	21.76	(2.02)	24.39	(2.27)	27.02	(2.51)	29.65	(2.75)	
56	4-1 21/64	(1253)	22.68	(2.11)	25.42	(2.36)	28.16	(2.62)	30.90	(2.87)	
60	4-5 21/64	(1355)	24.52	(2.28)	27.48	(2.55)	30.45	(2.83)	33.41	(3.10)	
64	4-9 21/64	(1456)	26.36	(2.45)	29.55	(2.74)	32.73	(3.04)	35.92	(3.34)	
72	5-5 21/64	(1659)	30.04	(2.79)	33.67	(3.13)	37.30	(3.47)	40.93	(3.80)	
78	5-11 21/64	(1812)	32.80	(3.05)	36.76	(3.42)	40.72	(3.78)	44.69	(4.15)	
84	6-5 21/64	(1964)	35.56	(3.30)	39.85	(3.70)	44.15	(4.10)	48.44	(4.50)	
92	7-1 21/64	(2167)	39.23	(3.64)	43.97	(4.09)	48.72	(4.53)	N/A		
96	7-5 21/64	(2269)	41.07	(3.82)	46.04	(4.28)	51.00	(4.74)	N/A		
			Tall Bottom Rail								
12	0-3 53/64	(97)	1.76	(0.16)	1.98	(0.18)	2.19	(0.20)	2.40	(0.22)	
14	0-5 53/64	(148)	2.68	(0.25)	3.01	(0.28)	3.33	(0.31)	3.65	(0.34)	
16	0-7 53/64	(199)	3.60	(0.33)	4.04	(0.38)	4.47	(0.42)	4.91	(0.46)	
18	0-9 53/64	(250)	4.52	(0.42)	5.07	(0.47)	5.61	(0.52)	6.16	(0.57)	
20	0-11 53/64	(301)	5.44	(0.51)	6.10	(0.57)	6.76	(0.63)	7.41	(0.69)	
24	1-3 53/64	(402)	7.28	(0.68)	8.16	(0.76)	9.04	(0.84)	9.92	(0.92)	
28	1-7 53/64	(504)	9.12	(0.85)	10.22	(0.95)	11.32	(1.05)	12.42	(1.15)	
32	1-11 53/64	(605)	10.96	(1.02)	12.28	(1.14)	13.61	(1.26)	14.93	(1.39)	
36	2-3 53/64	(707)	12.80	(1.19)	14.34	(1.33)	15.89	(1.48)	17.44	(1.62)	
40	2-7 53/64	(809)	14.64	(1.36)	16.40	(1.52)	18.17	(1.69)	19.94	(1.85)	
44	2-11 53/64	(910)	16.48	(1.53)	18.47	(1.72)	20.46	(1.90)	22.45	(2.09)	
48	3-3 53/64	(1012)	18.31	(1.70)	20.53	(1.91)	22.74	(2.11)	24.95	(2.32)	
54	3-9 53/64	(1164)	21.07	(1.96)	23.62	(2.19)	26.17	(2.43)	28.71	(2.67)	
56	3-11 53/64	(1215)	21.99	(2.04)	24.65	(2.29)	27.31	(2.54)	29.96	(2.78)	
60	4-3 53/64	(1317)	23.83	(2.21)	26.71	(2.48)	29.59	(2.75)	32.47	(3.02)	
64	4-7 53/64	(1418)	25.67	(2.38)	28.77	(2.67)	31.87	(2.96)	34.98	(3.25)	
72	5-3 53/64	(1621)	29.35	(2.73)	32.90	(3.06)	36.44	(3.39)	39.99	(3.71)	
78	5-9 53/64	(1774)	32.11	(2.98)	35.99	(3.34)	39.87	(3.70)	43.75	(4.06)	
84	6-3 53/64	(1926)	34.87	(3.24)	39.08	(3.63)	43.29	(4.02)	47.51	(4.41)	
92	6-11 53/64	(2129)	38.54	(3.58)	43.20	(4.01)	47.86	(4.45)	N/A		
96	7-3 53/64	(2231)	40.38	(3.75)	45.26	(4.21)	50.14	(4.66)	N/A		

## Minimum and Maximum Guidelines: Full Frame

Full Frame Minimum and Maximum Frame Sizes, CE Marked									
Unit Type		Min Width		Min Height		Max Width		Max Height	
		in	mm	in	mm	in	mm	in	mm
UCA	Insulating Glass 3/4" (19) or 1" (25)	14	(356)	11 1/2	(292)	36	(914)	102	(2591)
						40	(1016)	96 1/8	(2442)
						44	(1118)	91 1/8	(2315)
UCA	Retractable Screen	14	(356)	19 1/8	(486)	36	(914)	71 1/8	(1807)
						40	(1016)	59 1/8	(1502)
UCA	Interior Shade	14	(356)	11 1/2	(292)	36	(914)	102	(2591)
						40	(1016)	96 1/8	(2442)
CUCA	Lock Status Sensor	14	(356)	17 1/8	(435)	36	(914)	102	(2591)
						40	(1016)	96 1/8	(2442)
UAWN	Insulating Glass 3/4" (19) or 1" (25)	16	(406)	11 1/2	(292)	72	(1829)	72	(1829)
						48	(1219)	96	(2438)
						64	(1626)	81 1/8	(2061)
						81 1/8	(2061)	64	(1626)
						96	(2438)	48 1/8	(1222)
CUAWN	Retractable Screen	20	(508)	15 1/8	(384)	60	(1524)	39 1/8	(994)
						72	(1829)	35 1/8	(892)
UAWN	Interior Shades	16	(406)	11 1/2	(292)	72	(1829)	72	(1829)
						48	(1219)	96	(2438)
						64	(1626)	81 1/8	(2061)
						81 1/8	(2061)	64	(1626)
						96	(2438)	48 1/8	(1222)
UCAP	Insulating Glass 3/4" (19)	12	(305)	12 7/16	(316)	64	(1626)	104	(2642)
						104	(2642)	64	(1626)
						72	(1829)	71 1/8	(1807)
						71 1/8	(1807)	72	(1829)
UCAP	Insulating Glass 1" (25) - Tempered	12	(305)	12 7/16	(316)	96 1/8	(2442)	88	(2235)
						88	(2235)	96 1/8	(2442)
						120	(3048)	80	(2032)
						80	(2032)	120	(3048)
UCAP	Interior Shade	12	(305)	11 1/8	(283)	72	(1829)	113 3/8	(2880)

**Minimum and Maximum Guidelines: Narrow Frame**

Narrow Frame Minimum and Maximum Frame Sizes, CE Marked									
Unit Type		Min Width		Min Height		Max Width		Max Height	
		in	mm	in	mm	in	mm	in	mm
UCANF	Insulating Glass 3/4" (19)	14	(356)	11 1/2	(292)	36	(914)	102	(2591)
						40	(1016)	96 1/8	(2442)
						44	(1118)	91 1/8	(2315)
UCANF	Retractable Screen	14	(356)	19 1/8	(486)	36	(914)	71 1/8	(1807)
						40	(1016)	59 1/8	(1502)
UCANF	Interior Shade	14	(356)	11 1/2	(292)	36	(914)	102	(2591)
						40	(1016)	96 1/8	(2442)
CURCA	Lock Status Sensor	14	(356)	17 1/8	(435)	36	(914)	102	(2591)
						40	(1016)	96 1/8	(2442)
UAWNNF	Insulating Glass 3/4" (19)	16	(406)	11 1/2	(292)	48	(1219)	96	(2438)
						64	(1626)	81 1/8	(2061)
						81 1/8	(2061)	64	(1626)
						96	(2438)	48 1/8	(1222)
UAWNNF	Retractable Screen	20	(508)	15 1/8	(384)	60	(1524)	39 1/8	(994)
						72	(1829)	35 1/8	(892)
UAWNNF	Interior Shades	16	(406)	11 1/2	(292)	48	(1219)	96	(2438)
UAWNNF	Lock Status Sensor	16	(406)	17 1/8	(435)	72	(1829)	81 1/8	(2061)
UCANFP*	Insulating Glass 3/4" (19)	12	(305)	11 1/8	(283)	64	(1626)	104	(2642)
						104	(2642)	64	(1626)
UCANFP*	Interior Shades	12	(305)	11 1/8	(283)	64	(1626)	104	(2642)
						104	(2642)	64	(1626)

**Minimum and Maximum Guidelines: IZ3 and IZ4**

IZ3 Minimum and Maximum Frame Size									
Unit Type		Min Width		Min Height		Max Width		Max Height	
		in	mm	in	mm	in	mm	in	mm
UCA	3/4" (19) Insulating Glass	16	(406)	13 1/8	(333)	36	(914)	83 1/8	(2111)
	1" (25) Insulating Glass							96 1/8	(2442)
UCA	Interior Shades	16	(406)	13 1/8	(333)	36	(914)	96 1/8	(2442)
								96 1/8	(2442)
UAWN	Insulating Glass 3/4" (19)	16	(406)	13 1/8	(333)	48	(1219)	53 1/8	(1349)
UAWN	Interior Shades	16	(406)	13 1/8	(333)	48	(1219)	53 1/8	(1349)
UCAP	3/4" (19) Insulating Glass	16	(406)	11 1/8	(283)	48	(1219)	53 1/8	(1349)
						53 1/8	(1349)	48	(1219)
UCAP	3/4" (19) Insulating Glass	16	(406)	11 1/8	(283)	36	(914)	83 1/8	(2111)
						83 1/8	(2111)	36	(914)
UCAP	1" (25) Insulating Glass	16	(406)	11 1/8	(283)	72 5/8	(1845)	77 1/8	(1959)
						77 1/8	(1959)	72 5/8	(1845)
UCAP	1" (25) Insulating Glass	16	(406)	11 1/8	(283)	60	(1524)	104 45/64	(2659)
						104 45/64	(2659)	60	(1524)
UCAP	Interior Shades	16	(406)	11 1/8	(283)	72	(1829)	104 45/64	(2659)

IZ4 Minimum and Maximum Frame Size									
Unit Type		Min Width		Min Height		Max Width		Max Height	
		in	mm	in	mm	in	mm	in	mm
UCA	Insulating Glass 3/4" (19)	16	(406)	13 1/8	(333)	36	(914)	85 45/64	(2177)
UCA	Interior Shades	16	(406)	13 1/8	(333)	36	(914)	85 45/64	(2177)
UAWN	Insulating Glass 3/4" (19)	16	(406)	13 1/8	(333)	48	(1219)	47 1/8	(1197)
UAWN	Interior Shades	16	(406)	13 1/8	(333)	48	(1219)	47 1/8	(1197)
UCAP	3/4" (19) Insulating Glass	16	(406)	11 1/8	(283)	48	(1219)	47 1/8	(1197)
						47 1/8	(1197)	48	(1219)
UCAP	3/4" (19) Insulating Glass	16	(406)	11 1/8	(283)	36	(914)	85 45/64	(2177)
						85 45/64	(2177)	36	(914)
UCAP	1" (25) Insulating Glass	16	(406)	11 1/8	(283)	72	(1829)	71 1/8	(1807)
						71 1/8	(1807)	72	(1829)
UCAP	1" (25) Insulating Glass	16	(406)	11 1/8	(283)	60	(1524)	104 45/64	(2659)
						104 45/64	(2659)	60	(1524)
UCAP	Interior Shades	16	(406)	11 1/8	(283)	72	(1829)	104 45/64	(2659)

NOTE: CE mark is not available on IZ3 and IZ4 units

**Certified Sizes and Ratings: Full and Narrow Frame**

Product	Air Tested to psf	Water Tested to psf	Structural Tested to psf	Certification Rating	Max Overall Width		Max Overall Height	
					in	mm	in	mm
Ultimate Awning 3/4" (Full and Narrow Frame)	1.57	7.5	60	LC-PG40	48	(1219)	96	(2438)
Ultimate Awning 3/4" (Full and Narrow Frame)	1.57	7.5	75	LC-PG50	56	(1422)	47 1/8	(1197)
Ultimate Awning 3/4" (Full and Narrow Frame)	1.57	7.5	45	LC-PG30	64	(1625)	81 1/8	(2060)
Ultimate Awning 3/4" (Full and Narrow Frame)	1.57	7.5	75	LC-PG50	72	(1829)	63 1/8	(1604)
Ultimate Awning 3/4" (Full and Narrow Frame)	1.57	7.5	45	LC-PG30	81 1/8	(2060)	64	(1625)
Ultimate Awning 3/4" (Full and Narrow Frame)	1.57	7.5	45	LC-PG30	96	(2438)	48 1/8	(1222)
Ultimate Awning 3/4" (Full Frame)	1.57	12	75	CW-PG50	48	(1219)	72	(1829)
Ultimate Awning 3/4" (Full Frame)	1.57	7.5	+75/-60	LC-PG40	72	(1829)	72	(1829)
Ultimate Awning 3/4" (Full Frame)	1.57	7.5	60	LC-PG40	72	(1829)	72	(1829)
Ultimate Casement 3/4" (Full and Narrow Frame)	1.57	7.5	75	CW-PG50	36	(914)	96 1/8	(2442)
Ultimate Casement 3/4" (Full and Narrow Frame)	1.57	7.5	60	CW-PG40	36	(914)	102	(2591)
Ultimate Casement 3/4" (Full and Narrow Frame)	1.57	7.5	75	LC-PG50	40	(1016)	92	(2337)
Ultimate Casement 3/4" (Full and Narrow Frame)	1.57	7.5	60	CW-PG40	40	(1016)	96 1/8	(2442)
Ultimate Casement 3/4" (Full and Narrow Frame)	1.57	7.5	75	LC-PG50	44	(1117)	71 1/8	(1807)
Ultimate Casement 3/4" (Full and Narrow Frame)	1.57	7.5	60	LC-PG40	44	(1117)	91 1/8	(2314)
Ultimate Casement Picture 3/4" (Full and Narrow Frame)	1.57	10.5	75	AW-PG50	60	(1524)	99	(2515)
Ultimate Casement Picture 3/4" (Full and Narrow Frame)	1.57	7.5	75	CW-PG50	64	(1626)	104	(2642)
Ultimate Casement Picture 3/4" (Full and Narrow Frame)	1.57	10.5	75	AW-PG50	99	(2515)	60	(1534)
Ultimate Casement Picture 3/4" (Full and Narrow Frame)	1.57	7.5	75	CW-PG50	104	(2642)	64	(1626)
Ultimate Casement Picture 3/4" (Full Frame)	1.57	7.5	75	CW-PG50	72	(1829)	71 1/8	(1807)
Ultimate Casement Picture 1" (Full Frame)	1.57	7.5	75	CW-PG50	88	(2235)	96 1/8	(2442)
Ultimate Casement Picture 1" (Full Frame)	1.57	7.5	75	CW-PG50	96 1/8	(2442)	88	(2235)
Ultimate Casement Picture 1" (Full Frame)	1.57	7.5	60	CW-PG40	120	(3048)	80	(2032)

NOTE: For CE ratings, please refer to CE Performance Section.



**Certified Sizes and Ratings: IZ3 and IZ4**

Product	Air Tested to psf	Water Tested to psf	Structural Tested to psf	Certification Rating	Max Overall Width		Max Overall Height	
					in	mm	in	mm
Clad Ultimate Awning 3/4" StormPlus IZ3 (Full Frame)	1.57	9.75	97.5	CW-PG65	48	(1219)	53 1/8	(1349)
Clad Ultimate Casement 3/4" StormPlus IZ3 (Full Frame)	1.57	9.75	97.5	CW-PG65	36	(914)	83 1/8	(2111)
Clad Ultimate Casement 1" StormPlus IZ3 (Full Frame)	1.57	9.75	97.5	CW-PG65	36	(914)	96 1/8	(2441)
Clad Ultimate Casement Picture 3/4" StormPlus IZ3 (Full Frame)	1.57	9.75	97.5	CW-PG65	48	(1219)	53 1/8	(1349)
Clad Ultimate Casement Picture 3/4" StormPlus IZ3 (Full Frame)	1.57	9.75	97.5	CW-PG65	53 1/8	(1349)	48	(1219)
Clad Ultimate Casement Picture 1" StormPlus IZ3 (Full Frame)	1.57	9.75	97.5	CW-PG65	60	(1524)	104 45/64	(2660)
Clad Ultimate Casement Picture 1" StormPlus IZ3 (Full Frame)	1.57	9.75	97.5	CW-PG65	104 45/64	(1845)	60	(1959)
Clad Ultimate Casement Picture 1" StormPlus IZ3 (Full Frame)	1.57	9.75	97.5	CW-PG65	72 5/8	(1959)	77 1/8	(1845)
Clad Ultimate Casement Picture 1" StormPlus IZ3 (Full Frame)	1.57	9.75	97.5	CW-PG65	77 1/8	(2660)	72 5/8	(1524)
Product	Air Tested to psf	Water Tested to psf	Structural Tested to psf	Certification Rating	Max Overall Width		Max Overall Height	
					in	mm	in	mm
Clad Ultimate Awning 3/4" StormPlus IZ4 (Full Frame)	1.57	10.65	+105/-127.5	+70/-85	48	(1219)	47 1/8	(1197)
Clad Ultimate Casement 3/4" StormPlus IZ4 (Full Frame)	1.57	10.65	+105/-127.5	+70/-85	36	(914)	85 45/64	(2177)
Clad Ultimate Casement Picture 3/4" StormPlus IZ4 (Full Frame)	1.57	10.65	+105/-127.5	+70/-85	36	(914)	85 45/64	(2177)
Clad Ultimate Casement Picture 3/4" StormPlus IZ4 (Full Frame)	1.57	10.65	+105/-127.5	+70/-85	85 45/64	(2177)	36	(914)
Clad Ultimate Casement Picture 1" StormPlus IZ4 (Full Frame)	1.57	10.65	+105/-112.5	+70/-75	60	(1524)	104 45/64	(2660)
Clad Ultimate Casement Picture 1" StormPlus IZ4 (Full Frame)	1.57	10.65	+105/-112.5	+70/-75	72	(1829)	71 1/8	(1807)
Clad Ultimate Casement Picture 1" StormPlus IZ4 (Full Frame)	1.57	10.65	+105/-112.5	+70/-75	104 45/64	(2660)	60	(1524)

**IZ3 and IZ4 modifications made to Ultimate Casements**

IZ3 and IZ4 are Product designed to structurally withstand an 8' 2X4 at 50 ft. per second (34mph)

- Sash are glazed with insulating glass, consisting of inboard lite of laminated glass. The exterior glass is standard annealed glass with optional tempered glass available. Although size of the unit may require exterior piece of glass to be tempered. Sash can not be re-glazed.
- Additional snubbers, keepers and locks applied.
- Structural Installation Brackets or jamb screws are required to install units
- IZ4 operator unit have tie bar hold down applied at each locking point.

*NOTE: CE mark is not available on IZ3 and IZ4 units*

**Measurement Conversions: Casement and Awning - Full and Narrow Frame**

Unit Measurements		Width		Height	
From	To				
<b>Inside Opening for Replacement Units</b>		<b>in</b>	<b>mm</b>	<b>in</b>	<b>mm</b>
OM of Frame (Existing sill <8°)	Inside Opening	+ 3/8	(10)	+ 1/4	(06)
OM of Frame (Existing sill ≥8° - <14°)	Inside Opening	+ 3/8	(10)	+ 1/16	(02)
OM of Frame (Existing sill ≥14°)	Inside Opening	+ 3/8	(10)	+ 7/16	(11)
<b>Rough Opening</b>		<b>in</b>	<b>mm</b>	<b>in</b>	<b>mm</b>
OM of Frame	Rough Opening	+ 1	(25)	+ 1/2	(13)
Masonry Opening w/BMC	Rough Opening	-2 1/8	(54)	-1 11/16	(43)
Masonry Opening w/Flat Casing	Rough Opening	-5 1/2	(140)	-3 3/8	(86)
Masonry Opening w/BMC (all sides)	Rough Opening	-2 1/8	(54)	-2 3/8	(60)
Masonry Opening w/Flat Casing (all sides)	Rough Opening	-5 1/2	(140)	-5 3/4	(146)
<b>Sash</b>		<b>in</b>	<b>mm</b>	<b>in</b>	<b>mm</b>
OM of Frame	OM of Sash	-1 11/16	(43)	-1 11/16	(43)
Daylight Opening (Std Btm Rail)	OM of Sash	+ 4 7/64	(104)	+ 4 7/64	(104)
Daylight Opening (Tall Btm Rail)	OM of Sash	+ 4 7/64	(104)	+ 5 39/64	(142)
<b>Glass</b>		<b>in</b>	<b>mm</b>	<b>in</b>	<b>mm</b>
Daylight Opening	Glass	+ 1 3/32	(28)	+ 1 3/32	(28)
Daylight Opening (Std Btm Rail)	Frame Size	+ 5 13/16	(148)	+ 5 13/16	(148)
Daylight Opening (Tall Btm Rail)	Frame Size	+ 5 13/16	(148)	+ 7 5/16	(186)
<b>Screen</b>		<b>in</b>	<b>mm</b>	<b>in</b>	<b>mm</b>
OM of Frame	OM of Screen	-4 21/32	(118)	-4 29/32	(125)
Daylight Opening (Std Btm Rail)	OM of Screen	+ 1 9/64	(29)	+ 7/8	(22)
Daylight Opening (Tall Btm Rail)	OM of Screen	+ 1 9/64	(29)	+ 2 3/8	(60)
<b>Retractable Screen</b>		<b>in</b>	<b>mm</b>	<b>in</b>	<b>mm</b>
Daylight Opening (Std Btm Rail)	OM of Screen	+ 3 27/64	(87)	+ 3 27/64	(87)
Daylight Opening (Tall Btm Rail)	OM of Screen	+ 3 27/64	(87)	+ 4 59/64	(125)
<b>Interior Shade</b>		<b>in</b>	<b>mm</b>	<b>in</b>	<b>mm</b>
OM of Frame	Shade Surround	-4 5/16	(110)	-4 29/32	(124)
OM of Frame	Shade Screen	-5	(127)	-6 13/64	(158)

**Measurement Conversions: Casement and Awning - Full and Narrow Frame****Egress Formulas with Standard Screen****Clear Opening Width:**

Frame OSM 20" (508) and greater

$$\text{Clear Opening Width} = \text{Frame OSM Width} - 7 \frac{1}{8}" (181)$$

Frame OSM Width less than 20" (508)

$$\text{Clear Opening Width} = \text{Frame OSM Width} - 9 \frac{9}{16}" (243)$$

$$\text{Clear Opening Height} = \text{Frame OSM Height} - 5 \frac{1}{8}" (130)$$

$$\text{Clear Opening Area (ft. } ^2) = (\text{Clear Opening Width} \times \text{Clear Opening Height}) / 144$$

**Vent Opening with Standard Screen**

$$\text{Vent Opening Width} = \text{Frame OSM Width} - 4 \frac{31}{32}" (126)$$

$$\text{Vent Opening Height} = \text{Frame OSM Height} - 5 \frac{1}{8}" (130)$$

**Egress Formulas with Retractable Screen****Clear Opening Width:**

Frame OSM 20" (508) and greater

$$\text{Clear Opening Width} = \text{Frame OSM Width} - 7 \frac{9}{32}" (185)$$

Frame OSM Width less than 20" (508)

$$\text{Clear Opening Width} = \text{Frame OSM Width} - 9 \frac{3}{4}" (248)$$

$$\text{Clear Opening Height} = \text{Frame OSM Height} - 6 \frac{3}{8}" (162)$$

$$\text{Clear Opening Area (ft. } ^2) = (\text{Clear Opening Width} \times \text{Clear Opening Height}) / 144$$

**Vent Opening with Retractable Screen for Casement Unit:**

$$\text{Vent Opening Width} = \text{Frame OSM Width} - 5 \frac{3}{8}" (137)$$

$$\text{Vent Opening Height} = \text{Frame OSM Height} - 6 \frac{3}{8}" (162)$$

**Vent Opening with Retractable Screen for Awning Unit:**

$$\text{Vent Opening Width} = \text{Frame OSM Width} - 5 \frac{11}{32}" (136)$$

$$\text{Vent Opening Height} = \text{Frame OSM Height} - 6 \frac{1}{4}" (159)$$

**Egress Formulas with Interior Shade****Clear Opening Width:**

Frame OM 20" (508) and greater

$$\text{Clear Opening Width} = \text{Frame OM Width} - 8 \frac{1}{16}" (205)$$

Frame OM Width less than 20" (508)

$$\text{Clear Opening Width} = \text{Frame OM Width} - 10 \frac{1}{2}" (267)$$

$$\text{Clear Opening Height} = \text{Frame OM Height} - 7 \frac{15}{32}" (190)$$

$$\text{Clear Opening Area (ft} ^2) = (\text{Clear Opening Width} \times \text{Clear Opening Height}) \div 144$$

**Vent Opening with Interior Shade**

$$\text{Vent Opening Width} = \text{Frame OM Width} - 6 \frac{13}{16}" (173)$$

$$\text{Vent Opening Height} = \text{Frame OM Height} - 7 \frac{7}{16}" (189)$$

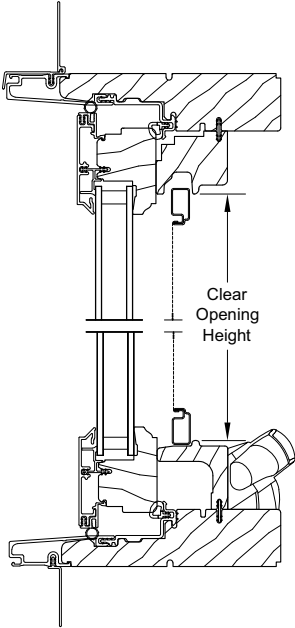
**Awning Sash Travel:**

If call number is 24 or smaller, sash travel is approximately 4 3/4" (121)

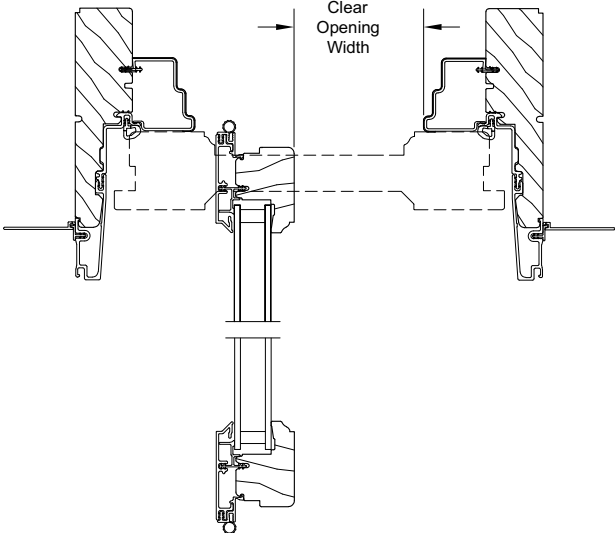
If call number is 24.001 - 32.000, sash travel is approximately 8" (203)

If call number is greater than 32, sash travel is approximately 11 1/2" (292)

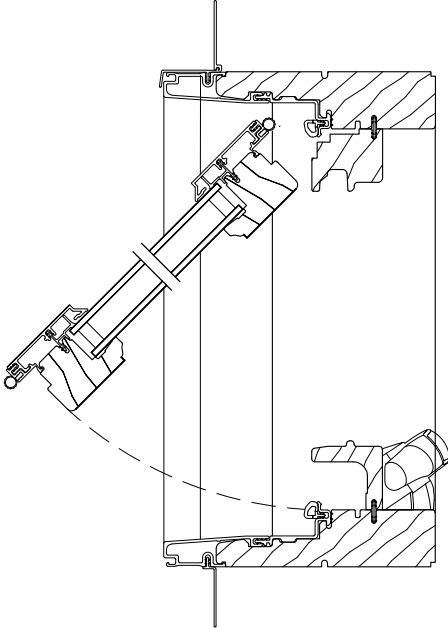
Egress and Vent Opening Measurements for Full Frame Casement and Awning



Head Jamb and Sill

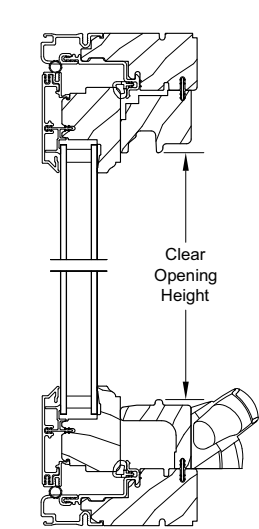


Jambs

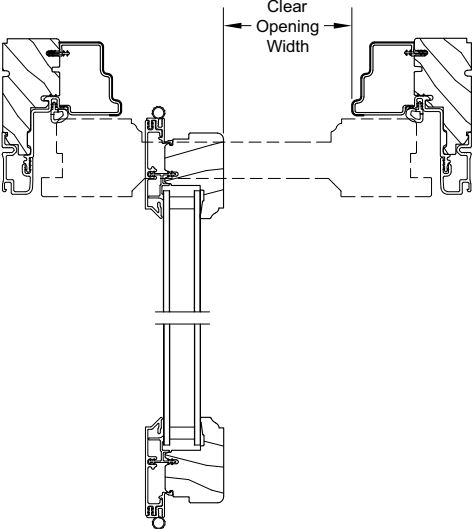


Vent Opening

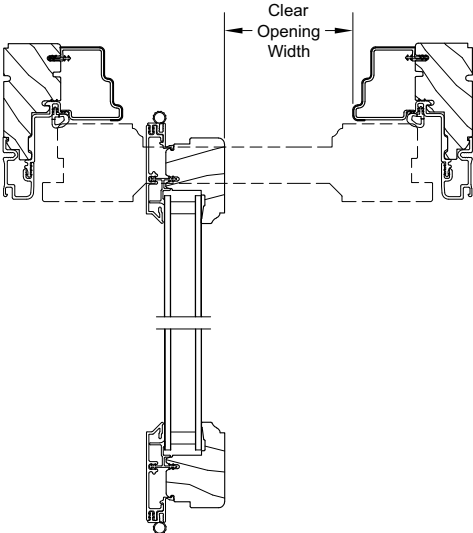
Egress and Vent Opening Measurements for Narrow Frame Casement and Awning



Head Jamb and Sill



Jambs

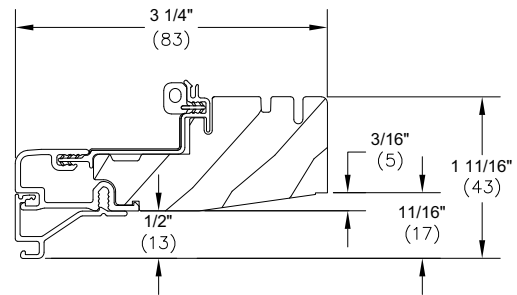


Jambs

**Field Measurement for Narrow Frame Units**

Operator. Awning, Stationary, Picture Conversion from Field Measurement to Frame OSM		
Width		
Condition	Formula	
If blind stop width is 1/2" (13) or less	Frame OM Width - inside opening width - 0.375 (10)	
Height		
Condition	Type of Sill Bevel	Formula
If old sill angle is less than 8°	Flat-bottom sill	Frame OM Height = inside opening height - 0.250 (6)
If old sill angle is greater than 8° and less than 14°	8-degree bottom sill	Frame OM Height = inside opening height - 0.0563 (1) (frame IM height has a .250 clearance)
If old is angle is 14° or greater	14-degree bottom sill	Frame OM Height = inside height + .431 (11) (frame IM Height has a .250 clearance)

Interior Frame Size to Frame Size (exterior)	
Frame Bevel	Conversions
0°	0
8°	+3/16" (5)
14°	+11/16" (17)



## Standard Unit Measurements: Casement

Standard Ultimate Casement Unit Measurements												
Width												
CN	Masonry Opening		Rough Opening		Frame Size		Sash Size		Screen Size		Daylight Opening	
	ft - in	mm	ft - in	mm	ft - in	mm	ft-in	mm	ft-in	mm	ft - in	mm
16	1-4 1/2	(419)	1-5	(432)	1-4	(406)	1-2 5/16	(363)	0-11 11/32	(288)	0-10 13/64	(259)
18	1-6 1/2	(470)	1-7	(483)	1-6	(457)	1-4 5/16	(414)	1-1 11/32	(339)	1-0 13/64	(310)
20	1-8 1/2	(521)	1-9	(533)	1-8	(508)	1-6 5/16	(465)	1-3 11/32	(390)	1-2 13/64	(361)
24	2-0 1/2	(622)	2-1	(635)	2-0	(610)	1-10 5/16	(567)	1-7 11/32	(491)	1-6 13/64	(462)
26	2-2 1/2	(673)	2-3	(686)	2-2	(660)	2-0 5/16	(617)	1-9 11/32	(542)	1-8 13/64	(513)
28	2-4 1/2	(724)	2-5	(737)	2-4	(711)	2-2 5/16	(668)	1-11 11/32	(593)	1-10 13/64	(564)
30	2-6 1/2	(775)	2-7	(787)	2-6	(762)	2-4 5/16	(719)	2-1 11/32	(644)	2-0 13/64	(615)
32	2-8 1/2	(826)	2-9	(838)	2-8	(813)	2-6 5/16	(770)	2-3 11/32	(695)	2-2 13/64	(666)
36	3-0 1/2	(927)	3-1	(940)	3-0	(914)	2-10 5/16	(871)	2-7 11/32	(796)	2-6 13/64	(767)
40	3-4 1/2	(1029)	3-5	(1041)	3-4	(1016)	3-2 5/16	(973)	2-11 11/32	(898)	2-10 13/64	(869)

Standard Ultimate Casement Unit Measurements														
Height														
CN	Masonry Opening		Rough Opening		Frame Size		Sash Size		Screen Size		Daylight Opening (Std Bottom Rail)		Daylight Opening (Tall Bottom Rail)	
	ft - in	mm	ft - in	mm	ft - in	mm	ft-in	mm	ft-in	mm	ft - in	mm	ft - in	mm
14	1-1 3/8	(340)	1-1 5/8	(346)	1-1 1/8	(333)	0-11 7/16	(290)	0-8 7/32	(209)	0-7 21/64	(186)	0-5 53/64	(148)
16	1-3 3/8	(391)	1-3 5/8	(397)	1-3 1/8	(384)	1-1 7/16	(341)	0-10 7/32	(259)	0-9 21/64	(237)	0-7 53/64	(199)
18	1-5 3/8	(441)	1-5 5/8	(448)	1-5 1/8	(435)	1-3 7/16	(392)	1-0 7/32	(310)	0-11 21/64	(288)	0-9 53/64	(250)
20	1-7 3/8	(492)	1-7 5/8	(498)	1-7 1/8	(486)	1-5 7/16	(443)	1-2 7/32	(361)	1-1 21/64	(339)	0-11 53/64	(301)
24	1-11 3/8	(594)	1-11 5/8	(600)	1-11 1/8	(587)	1-9 7/16	(544)	1-6 7/32	(463)	1-5 21/64	(440)	1-3 53/64	(402)
28	2-3 3/8	(695)	2-3 5/8	(702)	2-3 1/8	(689)	2-1 7/16	(646)	1-10 7/32	(564)	1-9 21/64	(542)	1-7 53/64	(504)
32	2-7 3/8	(797)	2-7 5/8	(803)	2-7 1/8	(791)	2-5 7/16	(748)	2-2 7/32	(666)	2-1 21/64	(643)	1-11 53/64	(605)
36	2-11 3/8	(899)	2-11 5/8	(905)	2-11 1/8	(892)	2-9 7/16	(849)	2-6 7/32	(767)	2-5 21/64	(745)	2-3 53/64	(707)
40	3-3 3/8	(1000)	3-3 5/8	(1006)	3-3 1/8	(994)	3-1 7/16	(951)	2-10 7/32	(869)	2-9 21/64	(847)	2-7 53/64	(809)
44	3-7 3/8	(1102)	3-7 5/8	(1108)	3-7 1/8	(1095)	3-5 7/16	(1052)	3-2 7/32	(971)	3-1 21/64	(948)	2-11 53/64	(910)
48	3-11 3/8	(1203)	3-11 5/8	(1210)	3-11 1/8	(1197)	3-9 7/16	(1154)	3-6 7/32	(1072)	3-5 21/64	(1050)	3-3 53/64	(1012)
54	4-5 3/8	(1356)	4-5 5/8	(1362)	4-5 1/8	(1349)	4-3 7/16	(1306)	4-0 7/32	(1225)	3-11 21/64	(1202)	3-9 53/64	(1164)
56	4-7 3/8	(1407)	4-7 5/8	(1413)	4-7 1/8	(1400)	4-5 7/16	(1357)	4-2 7/32	(1275)	4-1 21/64	(1253)	3-11 53/64	(1215)
60	4-11 3/8	(1508)	4-11 5/8	(1514)	4-11 1/8	(1502)	4-9 7/16	(1459)	4-6 7/32	(1377)	4-5 21/64	(1355)	4-3 53/64	(1317)
64	5-3 3/8	(1610)	5-3 5/8	(1616)	5-3 1/8	(1603)	5-1 7/16	(1560)	4-10 7/32	(1479)	4-9 21/64	(1456)	4-7 53/64	(1418)
72	5-11 3/8	(1813)	5-11 5/8	(1819)	5-11 1/8	(1807)	5-9 7/16	(1764)	5-6 7/32	(1682)	5-5 21/64	(1659)	5-3 53/64	(1621)
78	6-5 3/8	(1965)	6-5 5/8	(1972)	6-5 1/8	(1959)	6-3 7/16	(1916)	6-0 7/32	(1834)	5-11 21/64	(1812)	5-9 53/64	(1774)
84	6-11 3/8	(2118)	6-11 5/8	(2124)	6-11 1/8	(2111)	6-9 7/16	(2068)	6-6 7/32	(1987)	6-5 21/64	(1964)	6-3 53/64	(1926)
92	7-7 3/8	(2321)	7-7 5/8	(2327)	7-7 1/8	(2315)	7-5 7/16	(2272)	7-2 7/32	(2190)	7-1 21/64	(2167)	6-11 53/64	(2129)
96	7-11 3/8	(2423)	7-11 5/8	(2429)	7-11 1/8	(2416)	7-9 7/16	(2373)	7-6 7/32	(2291)	7-5 21/64	(2269)	7-3 53/64	(2231)

NOTE: A CN4096 is not a standard size.

**Standard Unit Measurements: Awning**

Standard Awning Unit Measurements												
Width												
CN	Masonry Opening		Rough Opening		Frame Size		Sash Size		Screen Size		Daylight Opening	
	ft - in	mm	ft - in	mm	ft - in	mm	ft-in	mm	ft-in	mm	ft - in	mm
16	1-4 1/2	(419)	1-5	(432)	1-4	(406)	1-2 5/16	(363)	0-11 11/32	(288)	0-10 13/64	(259)
18	1-6 1/2	(470)	1-7	(483)	1-6	(457)	1-4 5/16	(414)	1-1 11/32	(339)	1-0 13/64	(310)
20	1-8 1/2	(521)	1-9	(533)	1-8	(508)	1-6 5/16	(465)	1-3 11/32	(390)	1-2 13/64	(361)
24	2-0 1/2	(622)	2-1	(635)	2-0	(610)	1-10 5/16	(567)	1-7 11/32	(491)	1-6 13/64	(462)
26	2-2 1/2	(673)	2-3	(686)	2-2	(660)	2-0 5/16	(617)	1-9 11/32	(542)	1-8 13/64	(513)
28	2-4 1/2	(724)	2-5	(737)	2-4	(711)	2-2 5/16	(668)	1-11 11/32	(593)	1-10 13/64	(564)
30	2-6 1/2	(775)	2-7	(787)	2-6	(762)	2-4 5/16	(719)	2-1 11/32	(644)	2-0 13/64	(615)
32	2-8 1/2	(826)	2-9	(838)	2-8	(813)	2-6 5/16	(770)	2-3 11/32	(695)	2-2 13/64	(666)
36	3-0 1/2	(927)	3-1	(940)	3-0	(914)	2-10 5/16	(871)	2-7 11/32	(796)	2-6 13/64	(767)
40	3-4 1/2	(1029)	3-5	(1041)	3-4	(1016)	3-2 5/16	(973)	2-11 11/32	(898)	2-10 13/64	(869)
48	4-0 1/2	(1232)	4-1	(1245)	4-0	(1219)	3-10 5/16	(1176)	3-7 11/32	(1101)	3-6 13/64	(1072)
56	4-8 1/2	(1435)	4-9	(1448)	4-8	(1422)	4-6 5/16	(1379)	4-3 11/32	(1304)	4-2 13/64	(1275)
60	5-0 1/2	(1537)	5-1	(1549)	5-0	(1524)	4-10 5/16	(1481)	4-7 11/32	(1406)	4-6 13/64	(1377)
64	5-4 1/2	(1638)	5-5	(1651)	5-4	(1626)	5-2 5/16	(1583)	4-11 11/32	(1507)	4-10 13/64	(1478)
72	6-0 1/2	(1842)	6-1	(1854)	6-0	(1829)	5-10 5/16	(1786)	5-7 11/32	(1711)	5-6 13/64	(1682)

Standard Awning Unit Measurements														
Height														
CN	Masonry Opening		Rough Opening		Frame Size		Sash Size		Screen Size		Daylight Opening (Std Btm Rail)		Daylight Opening (Tall Btm Rail)	
	ft - in	mm	ft - in	mm	ft - in	mm	ft - in	mm	ft - in	mm	ft - in	mm	ft - in	mm
14	1-1 3/8	(340)	1-1 5/8	(346)	1-1 1/8	(333)	0-11 7/16	(290)	0-8 7/32	(209)	0-7 21/64	(186)	0-5 53/64	(148)
16	1-3 3/8	(391)	1-3 5/8	(397)	1-3 1/8	(384)	1-1 7/16	(341)	0-10 7/32	(259)	0-9 21/64	(237)	0-7 53/64	(199)
18	1-5 3/8	(441)	1-5 5/8	(448)	1-5 1/8	(435)	1-3 7/16	(392)	1-0 7/32	(310)	0-11 21/64	(288)	0-9 53/64	(250)
20	1-7 3/8	(492)	1-7 5/8	(498)	1-7 1/8	(486)	1-5 7/16	(443)	1-2 7/32	(361)	1-1 21/64	(339)	0-11 53/64	(301)
24	1-11 3/8	(594)	1-11 5/8	(600)	1-11 1/8	(587)	1-9 7/16	(544)	1-6 7/32	(463)	1-5 21/64	(440)	1-3 53/64	(402)
28	2-3 3/8	(695)	2-3 5/8	(702)	2-3 1/8	(689)	2-1 7/16	(646)	1-10 7/32	(564)	1-9 21/64	(542)	1-7 53/64	(504)
32	2-7 3/8	(797)	2-7 5/8	(803)	2-7 1/8	(791)	2-5 7/16	(748)	2-2 7/32	(666)	2-1 21/64	(643)	1-11 53/64	(605)
36	2-11 3/8	(899)	2-11 5/8	(905)	2-11 1/8	(892)	2-9 7/16	(849)	2-6 7/32	(767)	2-5 21/64	(745)	2-3 53/64	(707)
40	3-3 3/8	(1000)	3-3 5/8	(1006)	3-3 1/8	(994)	3-1 7/16	(951)	2-10 7/32	(869)	2-9 21/64	(847)	2-7 53/64	(809)
44	3-7 3/8	(1102)	3-7 5/8	(1108)	3-7 1/8	(1095)	3-5 7/16	(1052)	3-2 7/32	(971)	3-1 21/64	(948)	2-11 53/64	(910)
48	3-11 3/8	(1203)	3-11 5/8	(1210)	3-11 1/8	(1197)	3-9 7/16	(1154)	3-6 7/32	(1072)	3-5 21/64	(1050)	3-3 53/64	(1012)
54	4-5 3/8	(1356)	4-5 5/8	(1362)	4-5 1/8	(1349)	4-3 7/16	(1306)	4-0 7/32	(1225)	3-11 21/64	(1202)	3-9 53/64	(1164)
56	4-7 3/8	(1407)	4-7 5/8	(1413)	4-7 1/8	(1400)	4-5 7/16	(1357)	4-2 7/32	(1275)	4-1 21/64	(1253)	3-11 53/64	(1215)
60	4-11 3/8	(1508)	4-11 5/8	(1514)	4-11 1/8	(1502)	4-9 7/16	(1459)	4-6 7/32	(1377)	4-5 21/64	(1355)	4-3 53/64	(1317)
64	5-3 3/8	(1610)	5-3 5/8	(1616)	5-3 1/8	(1603)	5-1 7/16	(1560)	4-10 7/32	(1479)	4-9 21/64	(1456)	4-7 53/64	(1418)
72	5-11 3/8	(1813)	5-11 5/8	(1819)	5-11 1/8	(1807)	5-9 7/16	(1764)	5-6 7/32	(1682)	5-5 21/64	(1659)	5-3 53/64	(1621)



**Standard Unit Measurements: 3/4" Casement Picture**

Standard 3/4" Casement Picture Unit Measurements										
Width										
CN	Masonry Opening		Rough Opening		Frame Size		Sash Size		Daylight Opening	
	ft - in	mm	ft - in	mm	ft - in	mm	ft-in	mm	ft - in	mm
40	3-4 1/2	(1029)	3-5	(1041)	3-4	(1016)	3-2 5/16	(973)	2-10 13/64	(869)
48	4-0 1/2	(1232)	4-1	(1245)	4-0	(1219)	3-10 5/16	(1176)	3-6 13/64	(1072)
56	4-8 1/2	(1435)	4-9	(1448)	4-8	(1422)	4-6 5/16	(1379)	4-2 13/64	(1275)
60	5-0 1/2	(1537)	5-1	(1549)	5-0	(1524)	4-10 5/16	(1481)	4-6 13/64	(1377)
64	5-4 1/2	(1638)	5-5	(1651)	5-4	(1626)	5-2 5/16	(1583)	4-10 13/64	(1478)
72	6-0 1/2	(1842)	6-1	(1854)	6-0	(1829)	5-10 5/16	(1786)	5-6 13/64	(1682)
80	6-8 1/2	(2045)	6-9	(2057)	6-8	(2032)	6-6 5/16	(1989)	6-2 13/64	(1885)
88	7-4 1/2	(2248)	7-5	(2261)	7-4	(2235)	7-2 5/16	(2192)	6-10 13/64	(2088)
96	8-0 1/2	(2451)	8-1	(2464)	8-0	(2438)	7-10 5/16	(2395)	7-6 13/64	(2291)

Standard 3/4" Casement Picture Unit Measurements												
Height												
CN	Masonry Opening		Rough Opening		Frame Size		Sash Size		Daylight Opening (Std Btm Rail)		Daylight Opening (Tall Btm Rail)	
	ft - in	mm	ft - in	mm	ft - in	mm	ft-in	mm	ft - in	mm	ft - in	mm
12	0-11 3/8	(289)	0-11 5/8	(295)	0-11 1/8	(283)	0-9 7/16	(240)	0-5 21/64	(135)	0-3 53/64	(97)
14	1-1 3/8	(340)	1-1 5/8	(346)	1-1 1/8	(333)	0-11 7/16	(290)	0-7 21/64	(186)	0-5 53/64	(148)
16	1-3 3/8	(391)	1-3 5/8	(397)	1-3 1/8	(384)	1-1 7/16	(341)	0-9 21/64	(237)	0-7 53/64	(199)
18	1-5 3/8	(441)	1-5 5/8	(448)	1-5 1/8	(435)	1-3 7/16	(392)	0-11 21/64	(288)	0-9 53/64	(250)
20	1-7 3/8	(492)	1-7 5/8	(498)	1-7 1/8	(486)	1-5 7/16	(443)	1-1 21/64	(339)	0-11 53/64	(301)
24	1-11 3/8	(594)	1-11 5/8	(600)	1-11 1/8	(587)	1-9 7/16	(544)	1-5 21/64	(440)	1-3 53/64	(402)
28	2-3 3/8	(695)	2-3 5/8	(702)	2-3 1/8	(689)	2-1 7/16	(646)	1-9 21/64	(542)	1-7 53/64	(504)
32	2-7 3/8	(797)	2-7 5/8	(803)	2-7 1/8	(791)	2-5 7/16	(748)	2-1 21/64	(643)	1-11 53/64	(605)
36	2-11 3/8	(899)	2-11 5/8	(905)	2-11 1/8	(892)	2-9 7/16	(849)	2-5 21/64	(745)	2-3 53/64	(707)
40	3-3 3/8	(1000)	3-3 5/8	(1006)	3-3 1/8	(994)	3-1 7/16	(951)	2-9 21/64	(847)	2-7 53/64	(809)
44	3-7 3/8	(1102)	3-7 5/8	(1108)	3-7 1/8	(1095)	3-5 7/16	(1052)	3-1 21/64	(948)	2-11 53/64	(910)
48	3-11 3/8	(1203)	3-11 5/8	(1210)	3-11 1/8	(1197)	3-9 7/16	(1154)	3-5 21/64	(1050)	3-3 53/64	(1012)
54	4-5 3/8	(1356)	4-5 5/8	(1362)	4-5 1/8	(1349)	4-3 7/16	(1306)	3-11 21/64	(1202)	3-9 53/64	(1164)
56	4-7 3/8	(1407)	4-7 5/8	(1413)	4-7 1/8	(1400)	4-5 7/16	(1357)	4-1 21/64	(1253)	3-11 53/64	(1215)
60	4-11 3/8	(1508)	4-11 5/8	(1514)	4-11 1/8	(1502)	4-9 7/16	(1459)	4-5 21/64	(1355)	4-3 53/64	(1317)
64	5-3 3/8	(1610)	5-3 5/8	(1616)	5-3 1/8	(1603)	5-1 7/16	(1560)	4-9 21/64	(1456)	4-7 53/64	(1418)
72	5-11 3/8	(1813)	5-11 5/8	(1819)	5-11 1/8	(1807)	5-9 7/16	(1764)	5-5 21/64	(1659)	5-3 53/64	(1621)
78	6-5 3/8	(1965)	6-5 5/8	(1972)	6-5 1/8	(1959)	6-3 7/16	(1916)	5-11 21/64	(1812)	5-9 53/64	(1774)
84	6-11 3/8	(2118)	6-11 5/8	(2124)	6-11 1/8	(2111)	6-9 7/16	(2068)	6-5 21/64	(1964)	6-3 53/64	(1926)
92	7-7 3/8	(2321)	7-7 5/8	(2327)	7-7 1/8	(2315)	7-5 7/16	(2272)	7-1 21/64	(2167)	6-11 53/64	(2129)
96	7-11 3/8	(2423)	7-11 5/8	(2429)	7-11 1/8	(2416)	7-9 7/16	(2373)	7-5 21/64	(2269)	7-3 53/64	(2231)

NOTE: Maximum glass size per sash is 41 sq. ft. (3.8 sq. meters). The following picture sizes are greater than 41 sq. ft. (3.8 sq. meters) : 7272, 7278, 7284, 7292, 8092, 8096, 8872, 8878, 8884, 8892, 8896, 9672, 9678, 9684, 9692, 9696.

For safety and/or code requirements, Marvin recommends tempered glass in all units with a frame size height of 71 1/8" (1807) or larger.

Units with Frame Size 25.2 sq. ft. (2.3 sq. meters) and larger may require tempered glass.

**Standard Unit Measurements: 1" Casement Picture**

Standard 1" Casement Picture Unit Measurements										
Width										
CN	Masonry Opening		Rough Opening		Frame Size		Sash Size		Daylight Opening	
	ft - in	mm	ft - in	mm	ft - in	mm	ft-in	mm	ft - in	mm
40	3-4 1/2	(1029)	3-5	(1041)	3-4	(1016)	3-2 5/16	(973)	2-10 13/64	(869)
48	4-0 1/2	(1232)	4-1	(1245)	4-0	(1219)	3-10 5/16	(1176)	3-6 13/64	(1072)
56	4-8 1/2	(1435)	4-9	(1448)	4-8	(1422)	4-6 5/16	(1379)	4-2 13/64	(1275)
60	5-0 1/2	(1537)	5-1	(1549)	5-0	(1524)	4-10 5/16	(1481)	4-6 13/64	(1377)
64	5-4 1/2	(1638)	5-5	(1651)	5-4	(1626)	5-2 5/16	(1583)	4-10 13/64	(1478)
72	6-0 1/2	(1842)	6-1	(1854)	6-0	(1829)	5-10 5/16	(1786)	5-6 13/64	(1682)
80	6-8 1/2	(2045)	6-9	(2057)	6-8	(2032)	6-6 5/16	(1989)	6-2 13/64	(1885)
88	7-4 1/2	(2248)	7-5	(2261)	7-4	(2235)	7-2 5/16	(2192)	6-10 13/64	(2088)
96	8-0 1/2	(2451)	8-1	(2464)	8-0	(2438)	7-10 5/16	(2395)	7-6 13/64	(2291)

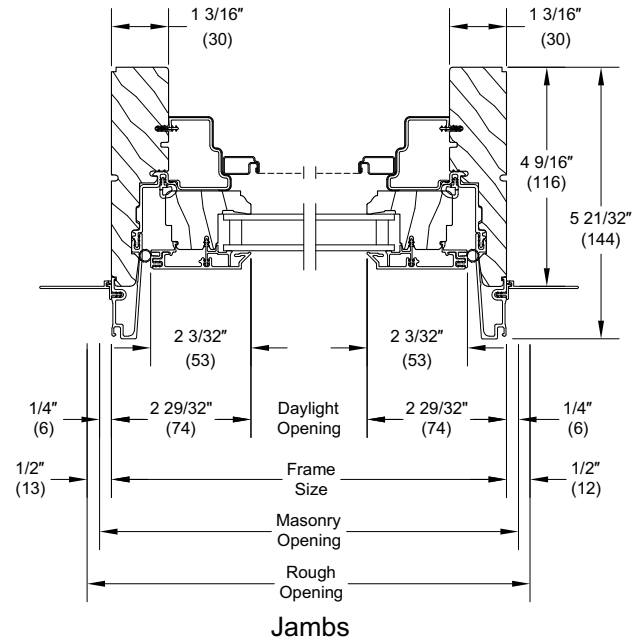
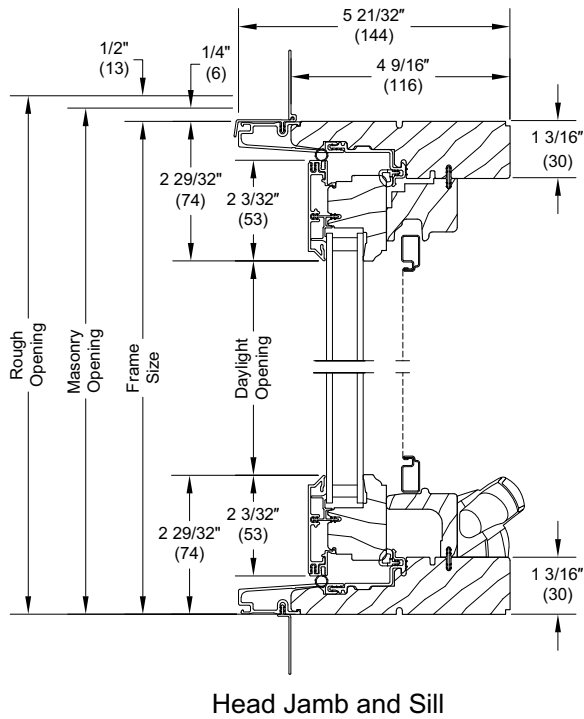
Standard 1" Casement Picture Unit Measurements												
Height												
CN	Masonry Opening		Rough Opening		Frame Size		Sash Size		Daylight Opening (Std Btm Rail)		Daylight Opening (Tall Btm Rail)	
	ft - in	mm	ft - in	mm	ft - in	mm	ft-in	mm	ft - in	mm	ft - in	mm
12	0-11 3/8	(289)	0-11 5/8	(295)	0-11 1/8	(283)	0-9 7/16	(240)	0-5 21/64	(135)	0-3 53/64	(97)
14	1-1 3/8	(340)	1-1 5/8	(346)	1-1 1/8	(333)	0-11 7/16	(290)	0-7 21/64	(186)	0-5 53/64	(148)
16	1-3 3/8	(391)	1-3 5/8	(397)	1-3 1/8	(384)	1-1 7/16	(341)	0-9 21/64	(237)	0-7 53/64	(199)
18	1-5 3/8	(441)	1-5 5/8	(448)	1-5 1/8	(435)	1-3 7/16	(392)	0-11 21/64	(288)	0-9 53/64	(250)
20	1-7 3/8	(492)	1-7 5/8	(498)	1-7 1/8	(486)	1-5 7/16	(443)	1-1 21/64	(339)	0-11 53/64	(301)
24	1-11 3/8	(594)	1-11 5/8	(600)	1-11 1/8	(587)	1-9 7/16	(544)	1-5 21/64	(440)	1-3 53/64	(402)
28	2-3 3/8	(695)	2-3 5/8	(702)	2-3 1/8	(689)	2-1 7/16	(646)	1-9 21/64	(542)	1-7 53/64	(504)
32	2-7 3/8	(797)	2-7 5/8	(803)	2-7 1/8	(791)	2-5 7/16	(748)	2-1 21/64	(643)	1-11 53/64	(605)
36	2-11 3/8	(899)	2-11 5/8	(905)	2-11 1/8	(892)	2-9 7/16	(849)	2-5 21/64	(745)	2-3 53/64	(707)
40	3-3 3/8	(1000)	3-3 5/8	(1006)	3-3 1/8	(994)	3-1 7/16	(951)	2-9 21/64	(847)	2-7 53/64	(809)
44	3-7 3/8	(1102)	3-7 5/8	(1108)	3-7 1/8	(1095)	3-5 7/16	(1052)	3-1 21/64	(948)	2-11 53/64	(910)
48	3-11 3/8	(1203)	3-11 5/8	(1210)	3-11 1/8	(1197)	3-9 7/16	(1154)	3-5 21/64	(1050)	3-3 53/64	(1012)
54	4-5 3/8	(1356)	4-5 5/8	(1362)	4-5 1/8	(1349)	4-3 7/16	(1306)	3-11 21/64	(1202)	3-9 53/64	(1164)
56	4-7 3/8	(1407)	4-7 5/8	(1413)	4-7 1/8	(1400)	4-5 7/16	(1357)	4-1 21/64	(1253)	3-11 53/64	(1215)
60	4-11 3/8	(1508)	4-11 5/8	(1514)	4-11 1/8	(1502)	4-9 7/16	(1459)	4-5 21/64	(1355)	4-3 53/64	(1317)
64	5-3 3/8	(1610)	5-3 5/8	(1616)	5-3 1/8	(1603)	5-1 7/16	(1560)	4-9 21/64	(1456)	4-7 53/64	(1418)
72	5-11 3/8	(1813)	5-11 5/8	(1819)	5-11 1/8	(1807)	5-9 7/16	(1764)	5-5 21/64	(1659)	5-3 53/64	(1621)
78	6-5 3/8	(1965)	6-5 5/8	(1972)	6-5 1/8	(1959)	6-3 7/16	(1916)	5-11 21/64	(1812)	5-9 53/64	(1774)
84	6-11 3/8	(2118)	6-11 5/8	(2124)	6-11 1/8	(2111)	6-9 7/16	(2068)	6-5 21/64	(1964)	6-3 53/64	(1926)
92	7-7 3/8	(2321)	7-7 5/8	(2327)	7-7 1/8	(2315)	7-5 7/16	(2272)	7-1 21/64	(2167)	6-11 53/64	(2129)
96	7-11 3/8	(2423)	7-11 5/8	(2429)	7-11 1/8	(2416)	7-9 7/16	(2373)	7-5 21/64	(2269)	7-3 53/64	(2231)

*NOTE: Maximum glass size per sash is 61 sq. ft. (5.7 sq. meters) 9692 and 9696 are greater than 61 sq. feet (5.7 sq. meters) of glass. For safety and/or code requirements. Marvin recommends tempered glass in all units with a frame height of 71 1/8" (1807) or larger. Units with frame size 25.2 sq. ft. (2.37 sq. meters) and larger may require tempered glass.*

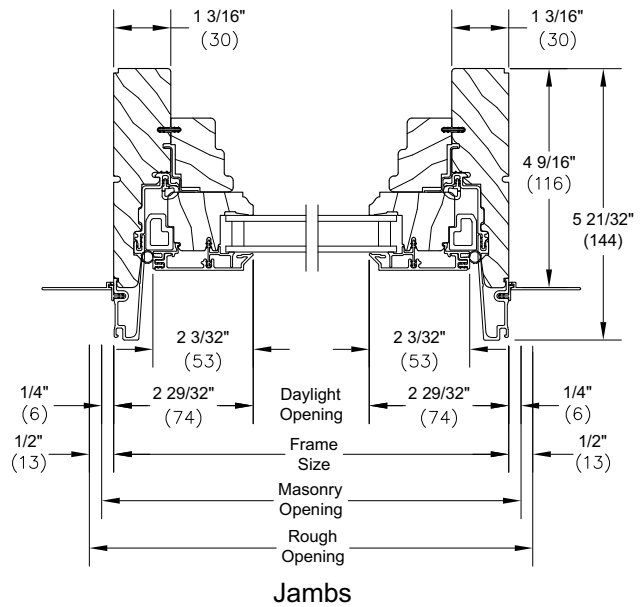
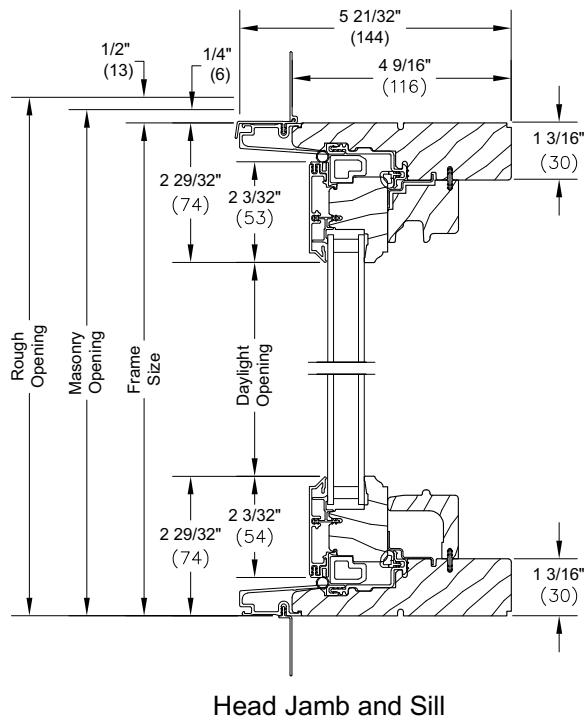
**Section Details: Operating/Stationary/Picture - 3/4" (19) IG**

Scale: 3" = 1' 0"

**Operating**



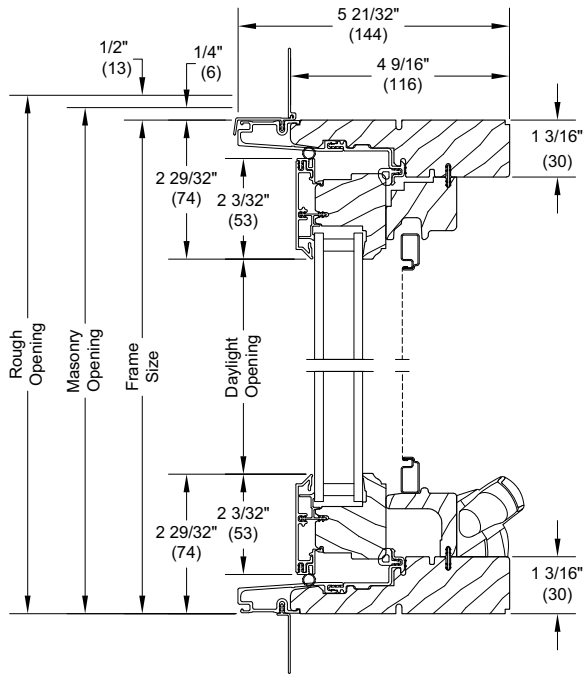
**Stationary/Picture**



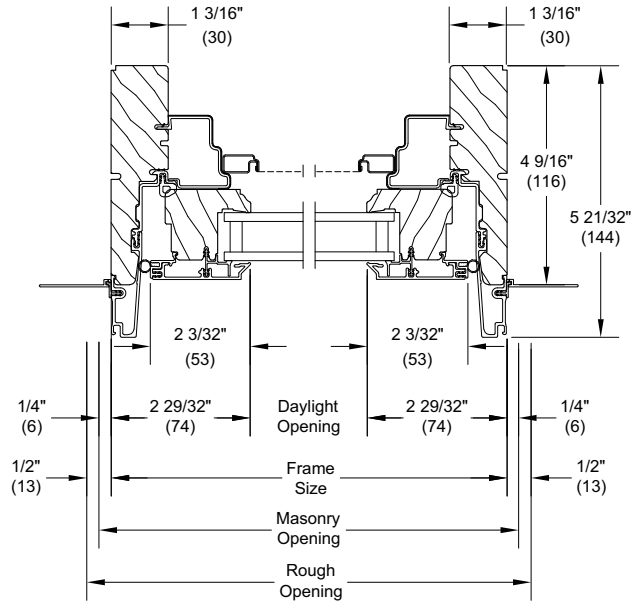
**Section Details: Operating/Stationary/Picture - 1" (25) IG**

Scale: 3" = 1' 0"

**Operating**

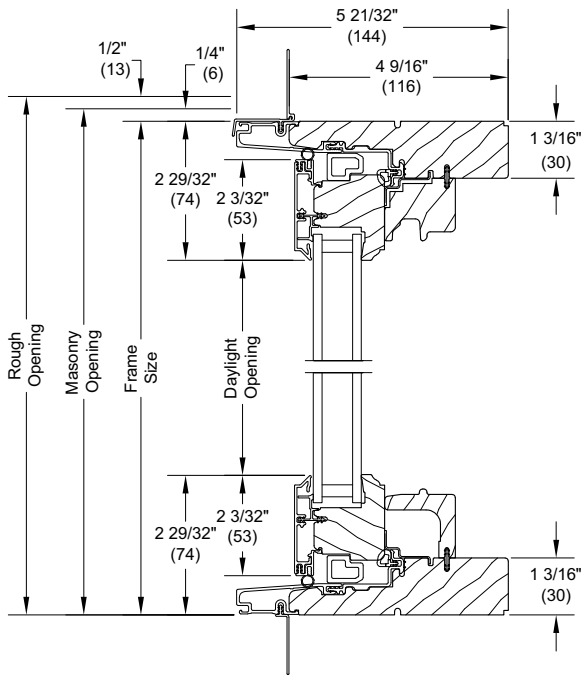


**Head Jamb and Sill**

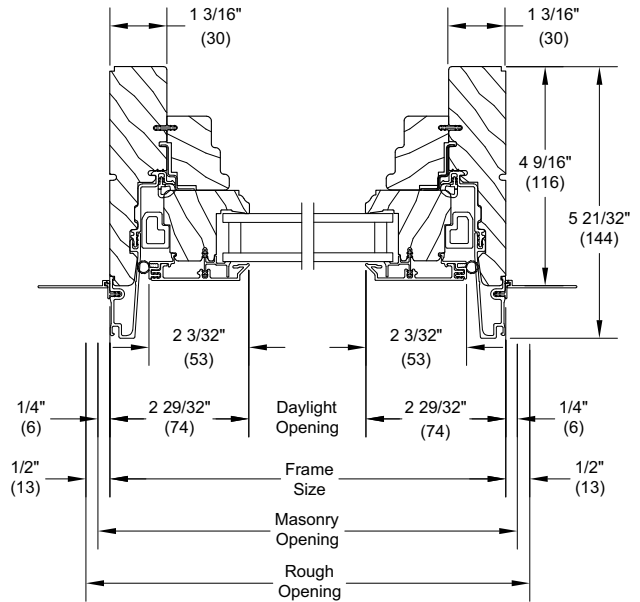


**Jambs**

**Stationary/Picture**



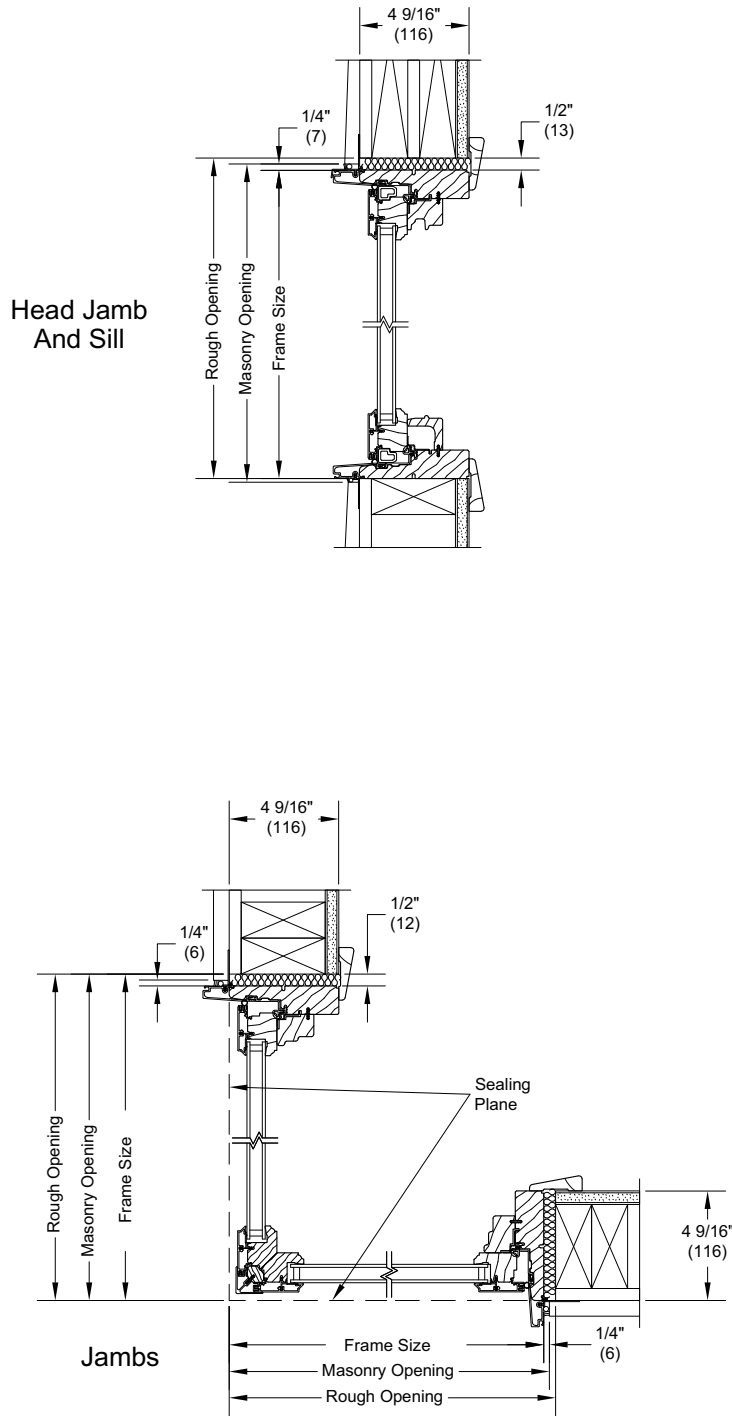
**Head Jamb and Sill**



**Jambs**

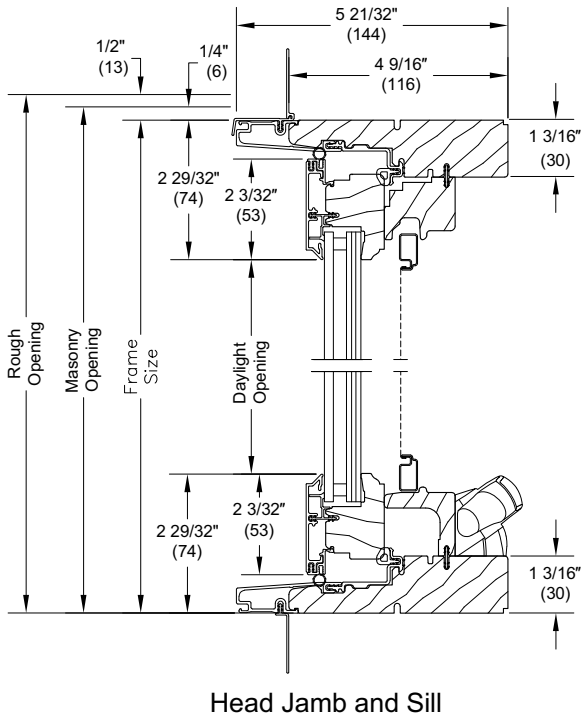
**Section Details: Ultimate Casement Corner Units**

Scale: 3" = 1' 0"

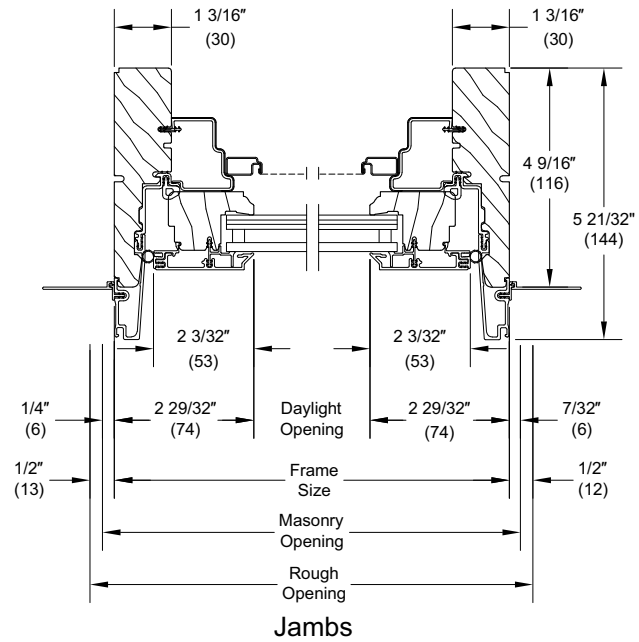


**Section Details: IZ3/IZ4 Operating/Stationary/Picture - 3/4" (19) IG**

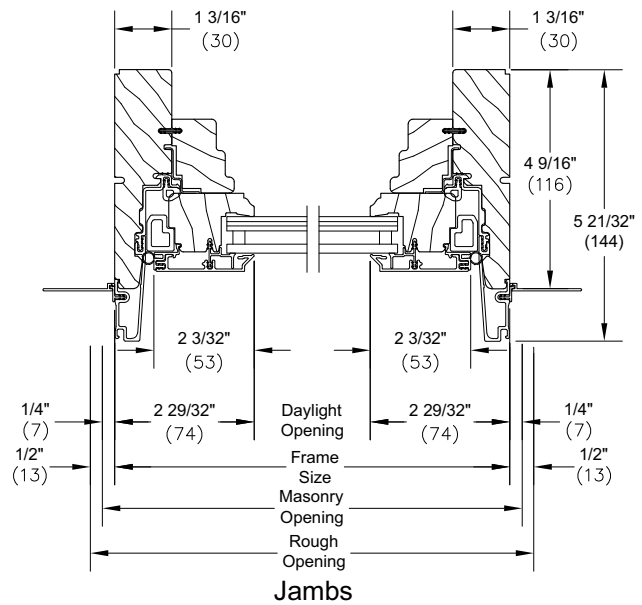
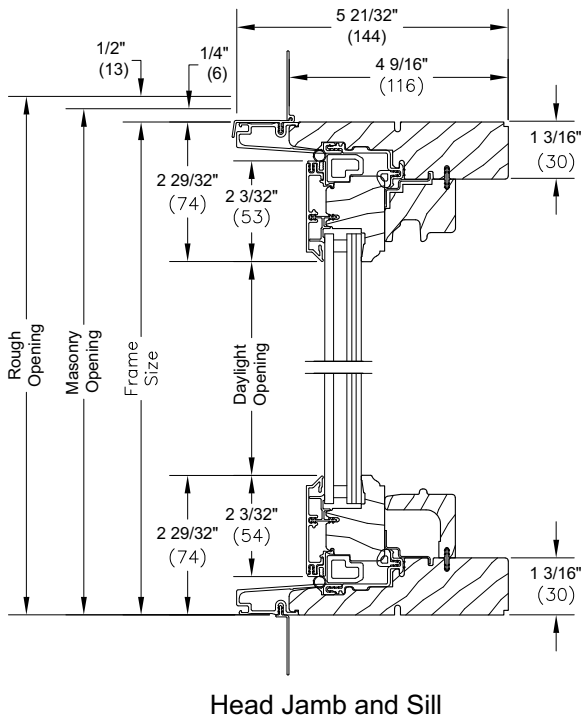
Scale: 3" = 1' 0"



**Operating**



**Stationary/Picture**

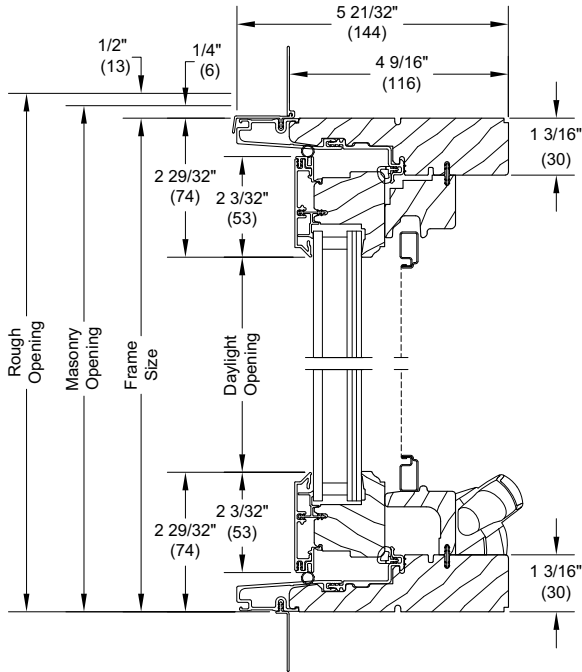


*NOTE: CE mark is not available on IZ3 and IZ4 units*

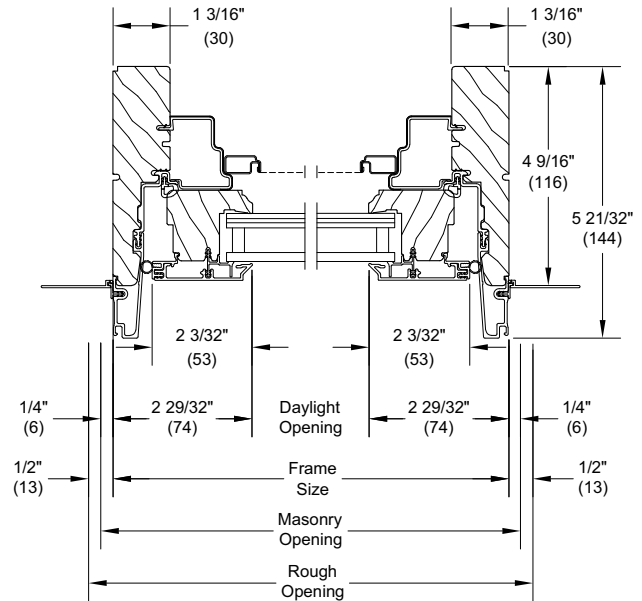
**Section Details: IZ3/IZ4 Operating and Stationary/Picture - 1" (25) IG**

Scale: 3" = 1' 0"

**Operating**

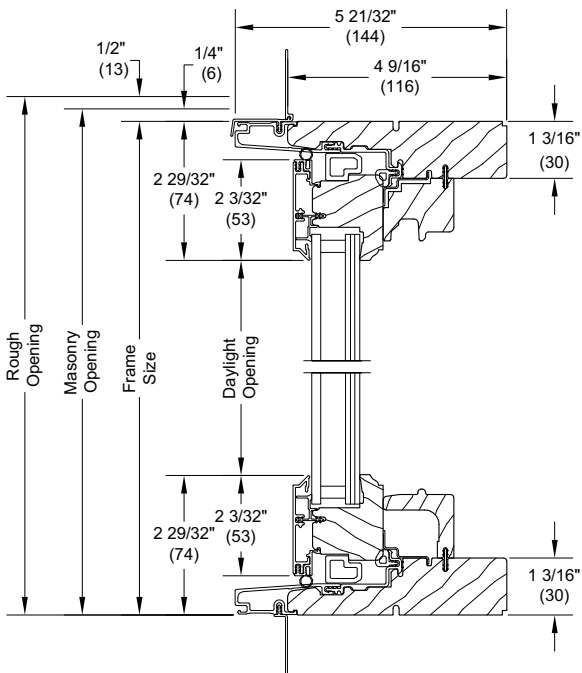


**Head Jamb and Sill**

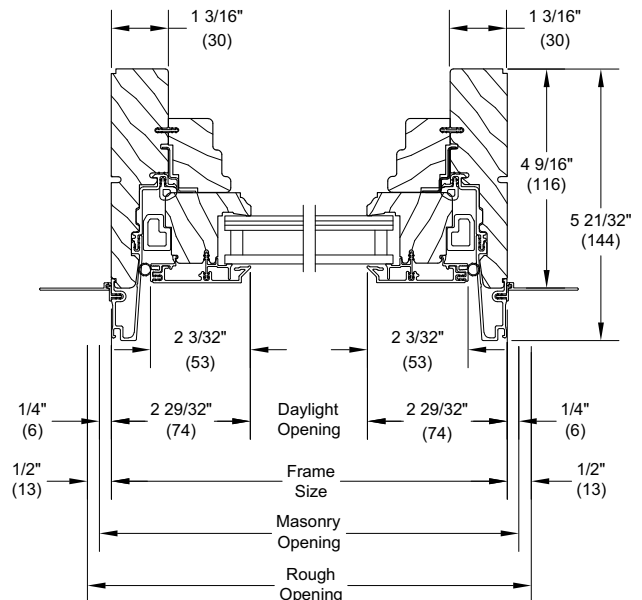


**Jambs**

**Stationary/Picture**



**Head Jamb and Sill**



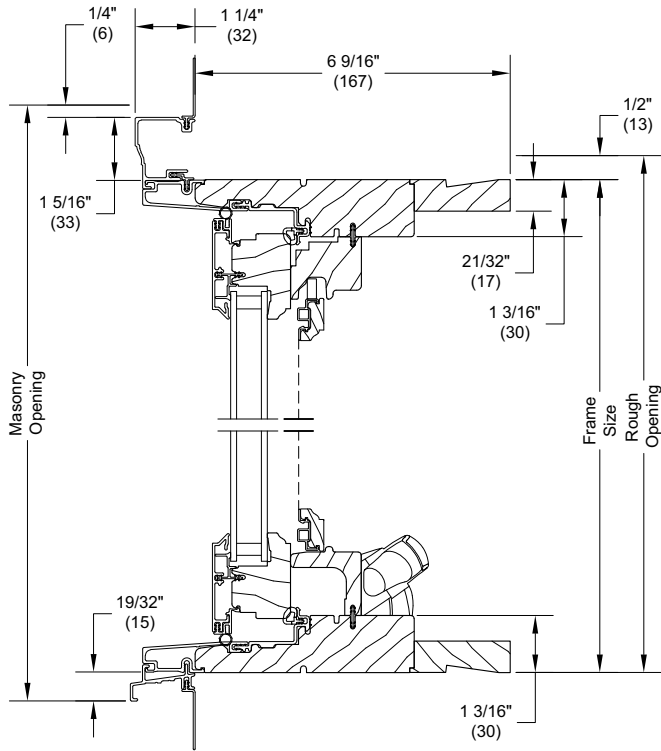
**Jambs**

*NOTE: CE mark is not available on IZ3 and IZ4 units*

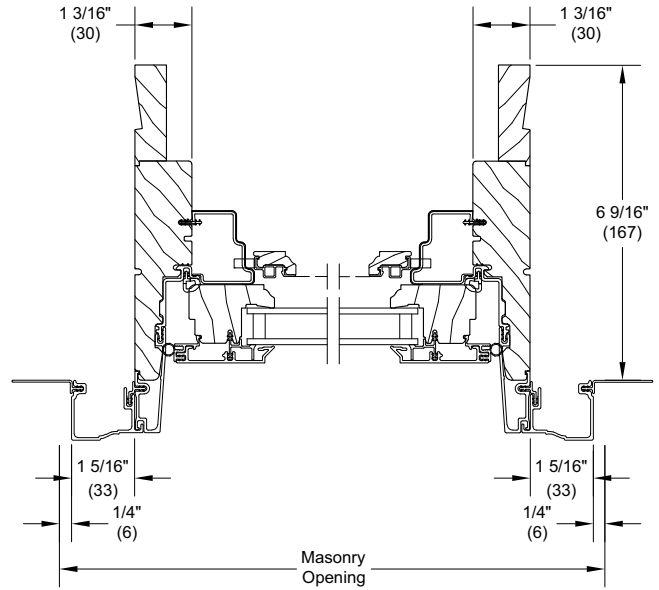
**Section Details: Casing, 6 9/16" (167) Jambs, Wood Screen**

Scale: 3" = 1' 0"

**Clad BMC**

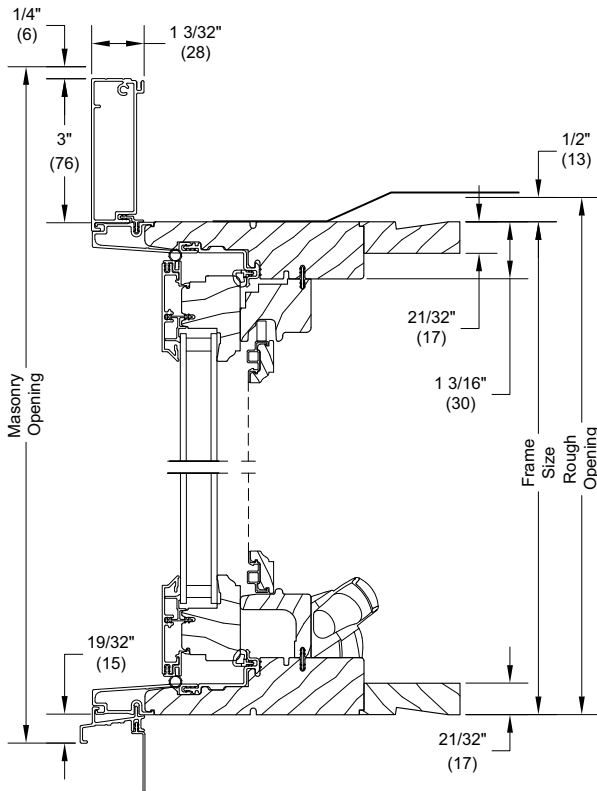


**Head Jamb and Sill**

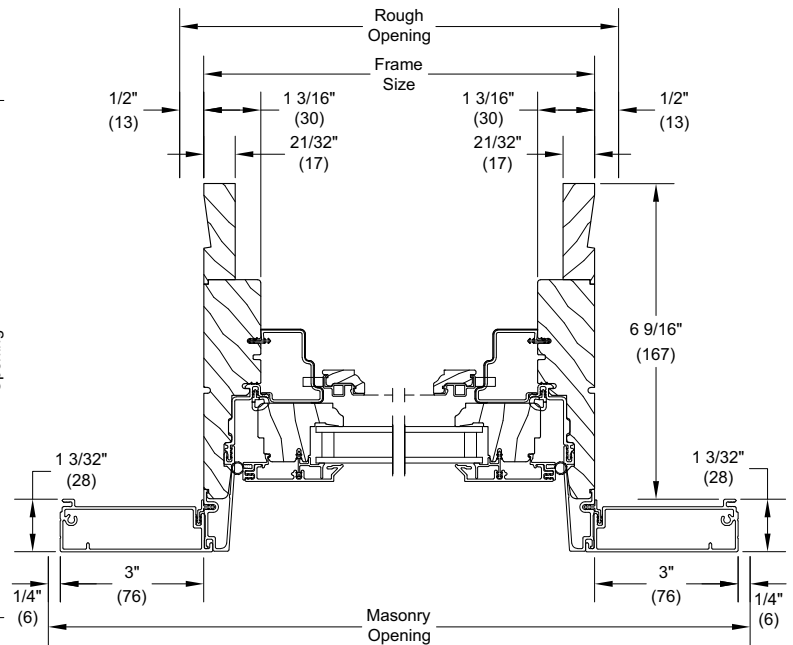


**Jambs**

**Clad Flat Casing**



**Head Jamb And Sill  
Clad Flat Casing with Wood Screen**

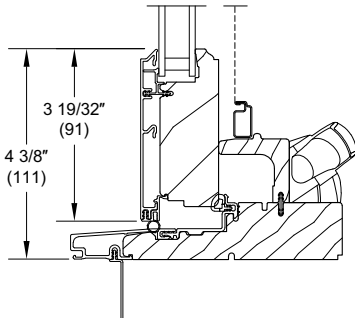


**Jambs  
Clad Flat Casing with Wood Screen**

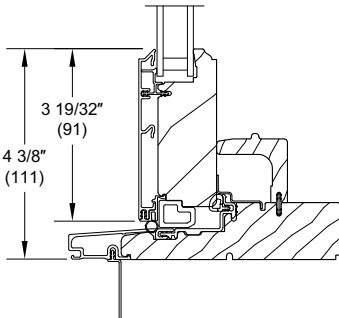


**Section Details: Tall Bottom Rail Option**

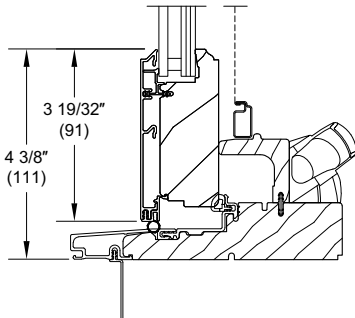
Scale: 3" = 1' 0"



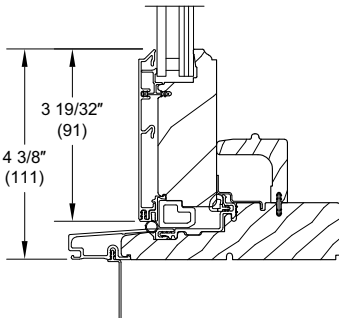
Standard Operator



Standard Stationary



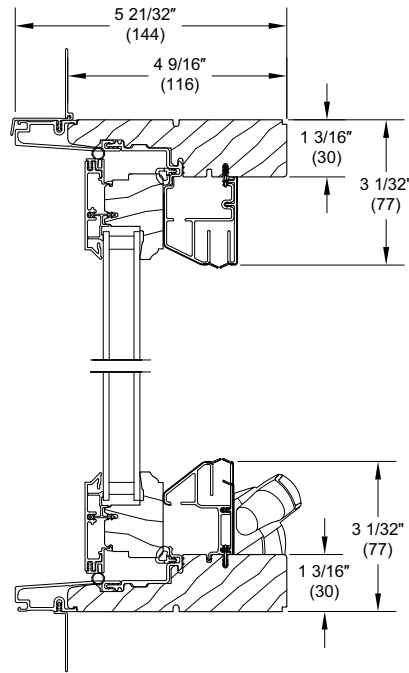
IZ3 Operator



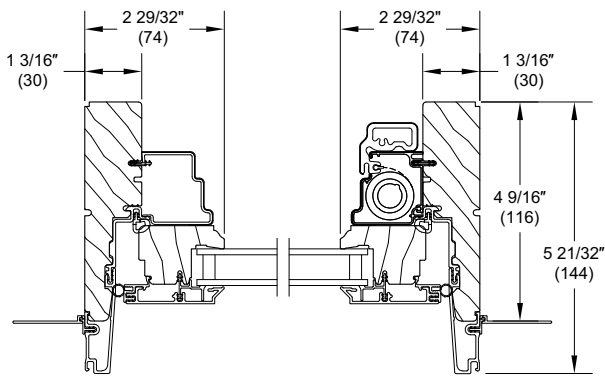
IZ3 Stationary

**Section Details: Retractable Screen - Full Frame Casement**

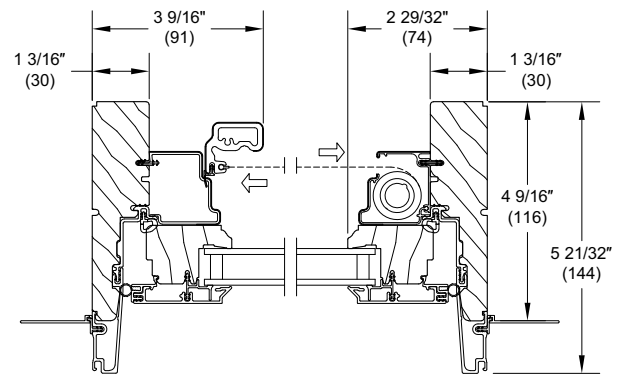
Scale: 3" = 1' 0"



Head Jamb and Sill



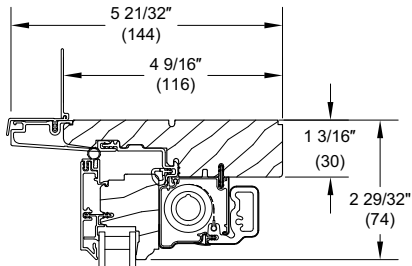
Jamb - Screen Open



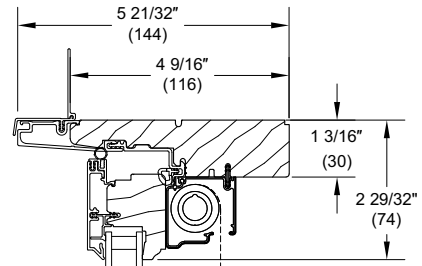
Jamb - Screen Closed

**Section Details: Retractable Screen - Full Frame Awning**

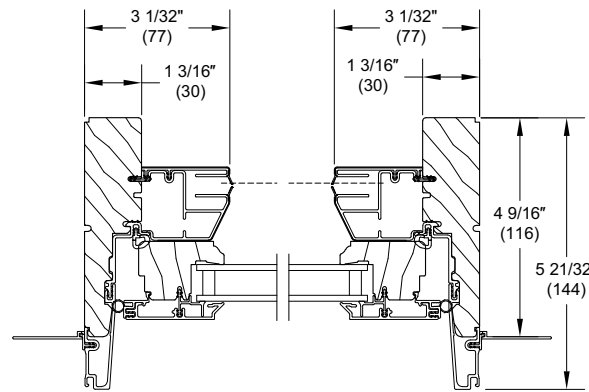
Scale: 3" = 1' 0"



Head Jamb And Sill  
Screen-Open



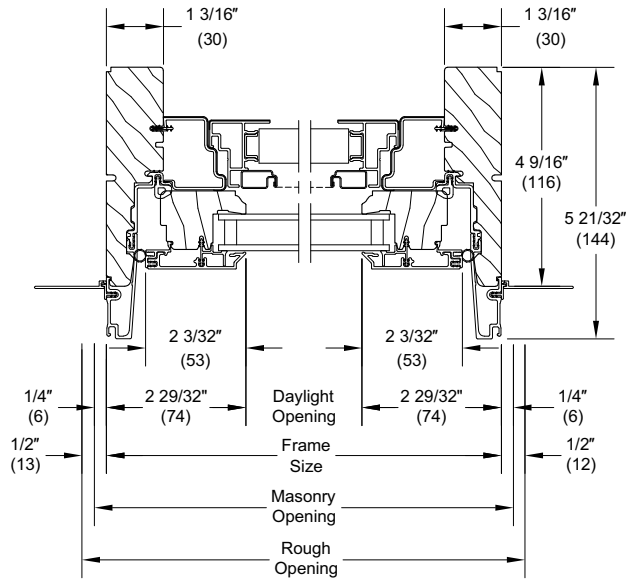
Head Jamb And Sill  
Screen-Closed



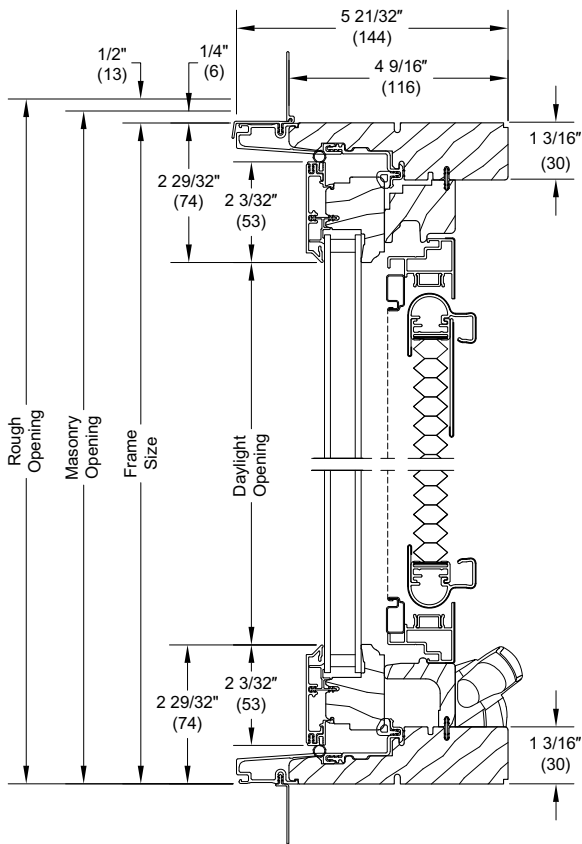
Jambs

**Section Details: Interior Shade - Full Frame Casement and Awning**

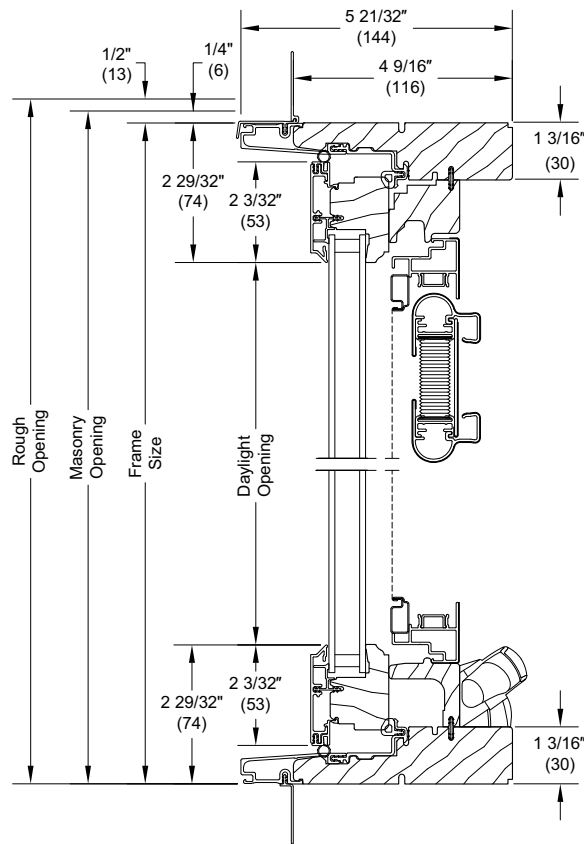
Scale: 3" = 1' 0"



**Jamb**



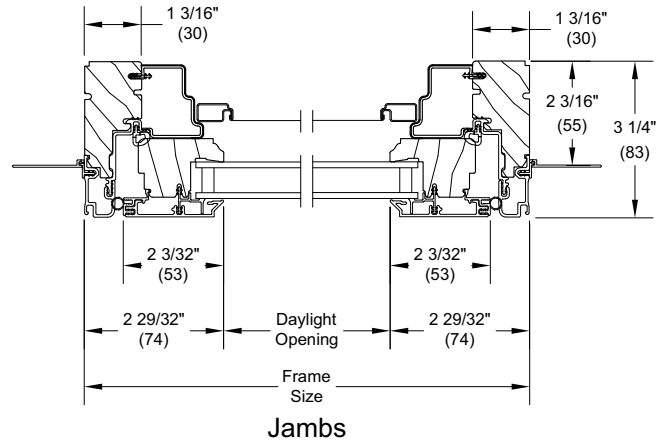
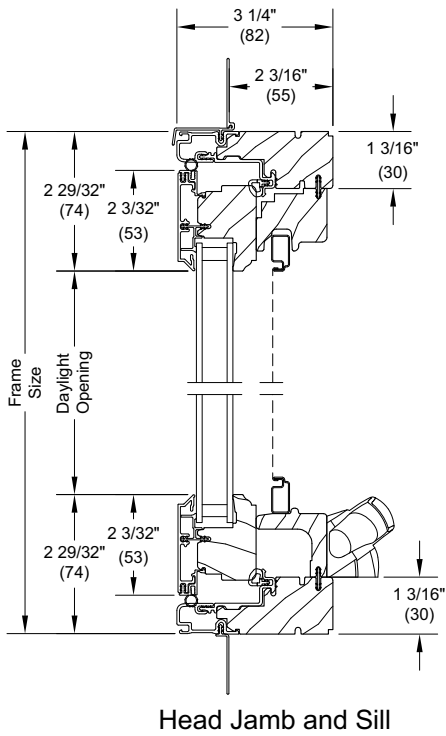
**Head Jamb and Sill  
Shades closed**



**Head Jamb and Sill  
Shades open**

**Section Details: Casement / Awning Operating - Narrow Frame**

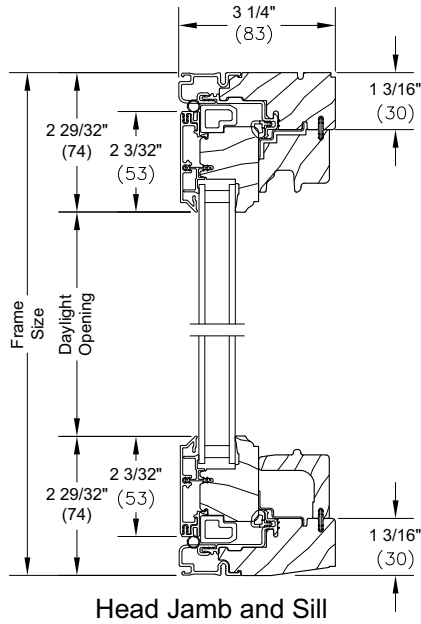
Scale: 3" = 1' 0"



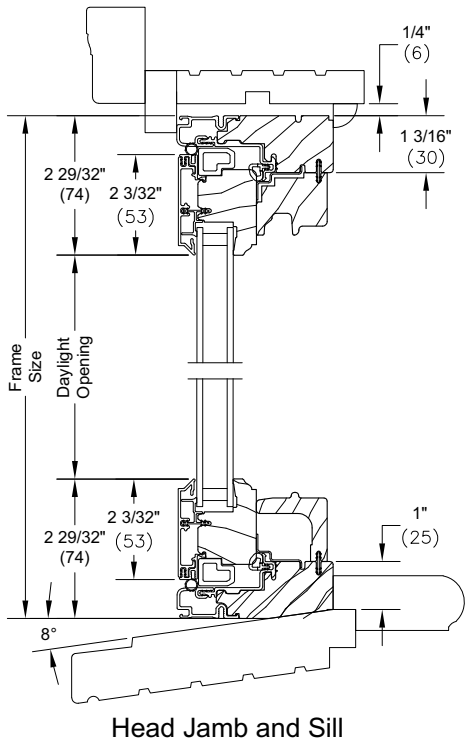
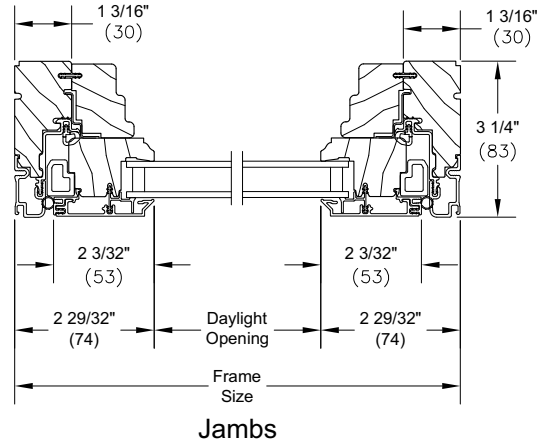
*NOTE: Square sticking is the default for the narrow frame product.*

**Section Details: Narrow Frame UCA/UAWN Operating/Picture - DH Frame w/ Sloped Sill**

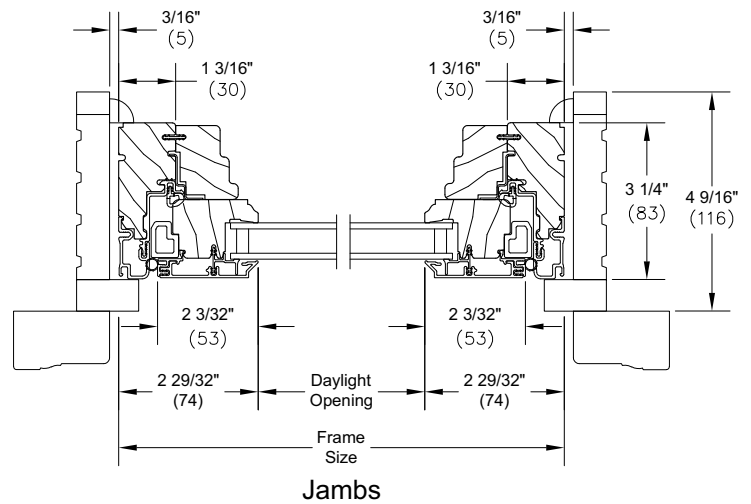
Scale: 3" = 1' 0"



**UCANF Picture - Casement Frame w/sloped Sill**

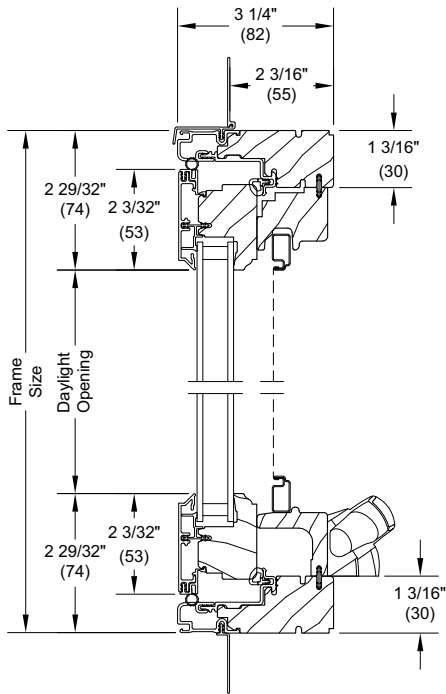


**UCANF Picture - Double Hung Frame w/sloped Sill**



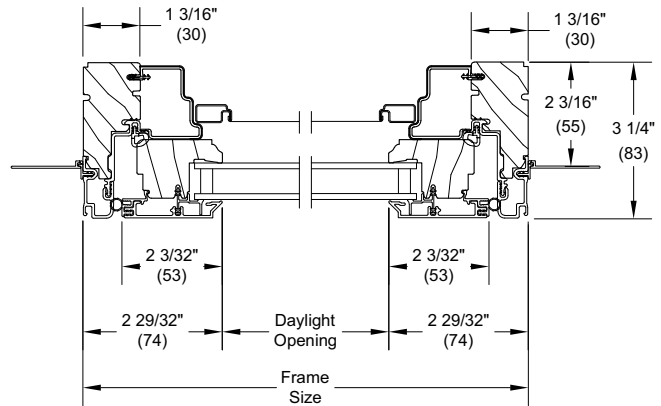
**Section Details: Narrow Frame Casement / Awning Operating / Picture - Casement Frame**

Scale: 3" = 1' 0"

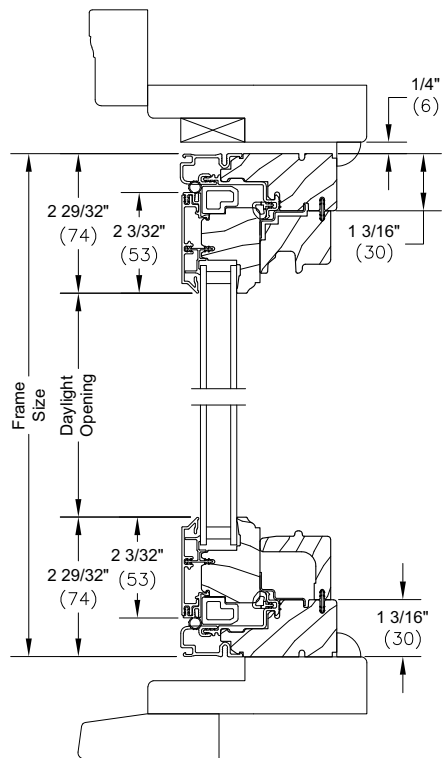


**Head Jamb and Sill**

**UCANF Operator - Casement Frame**

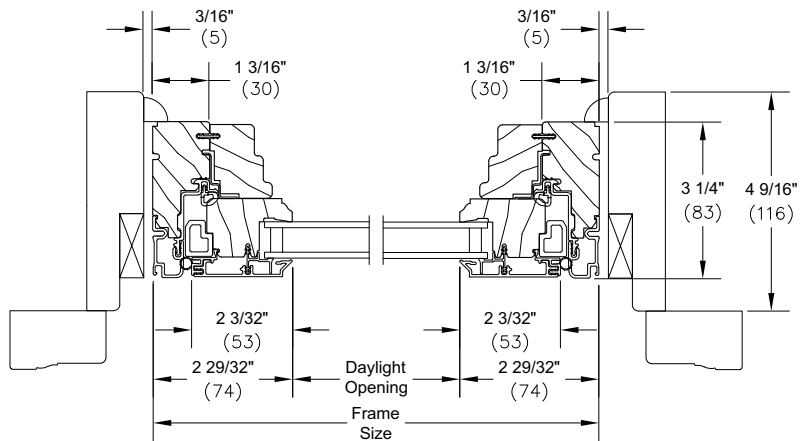


**Jambs**



**Head Jamb and Sill**

**UCANF Picture - Casement Frame**

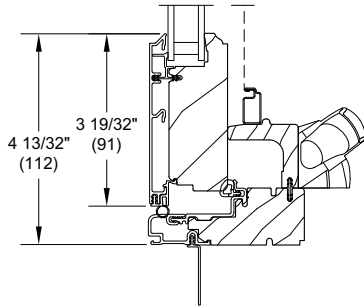


**Jambs**

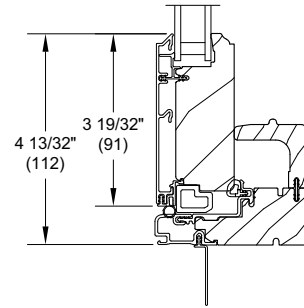
*NOTE: Square sticking is the default for the narrow product.*

**Section Details: Tall Bottom Rail Option - Narrow Frame**

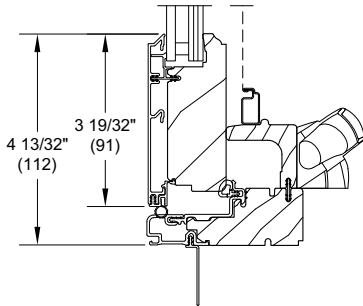
Scale: 3" = 1' 0"



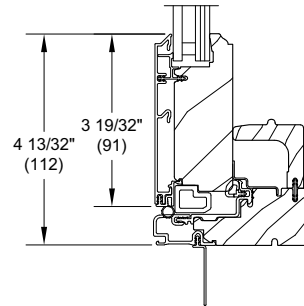
Operator (3/4" IG)



Stationary (3/4" IG)



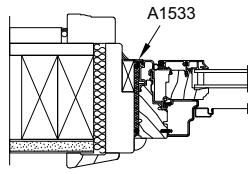
Operator (IZ3)



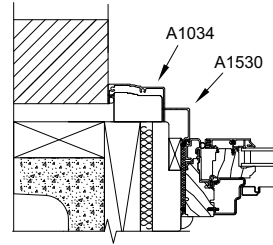
Stationary (IZ3)



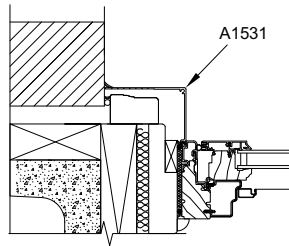
**Section Details: Clad Applications - Narrow Frame**



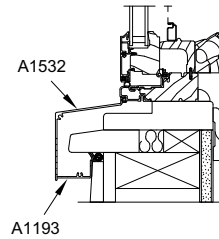
Frame Expander



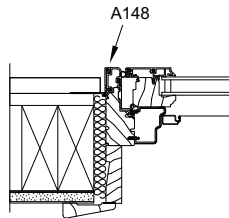
Panning (BMC shown)



Panning (Masonry shown)



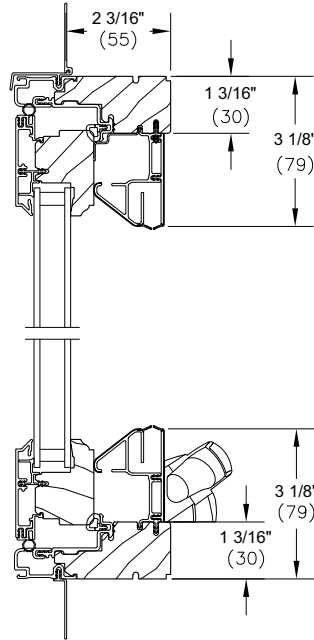
Sill Panning



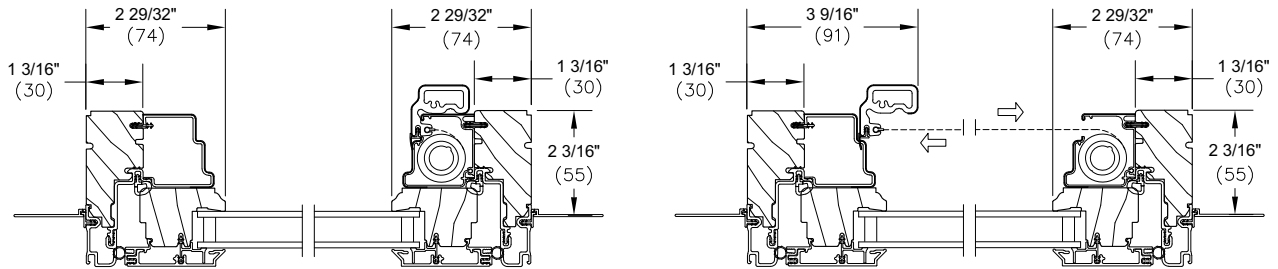
Panning with Kerf Cover

**Section Details: Retractable Screen - Narrow Frame Casement**

Scale: 3" = 1' 0"



Head Jamb and Sill



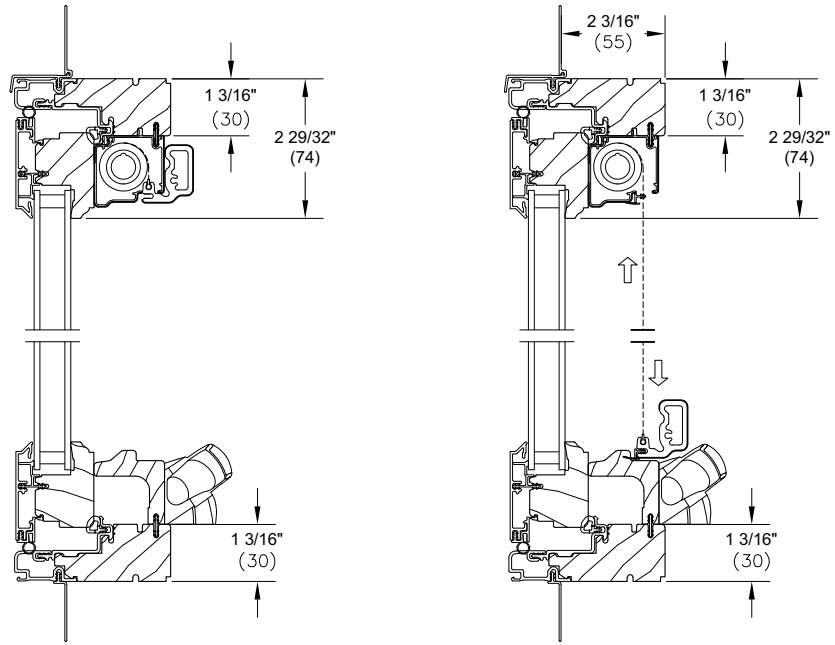
Jamb - Screen Open

Jamb - Screen Closed

*NOTE: Square sticking is the default for the narrow product.*

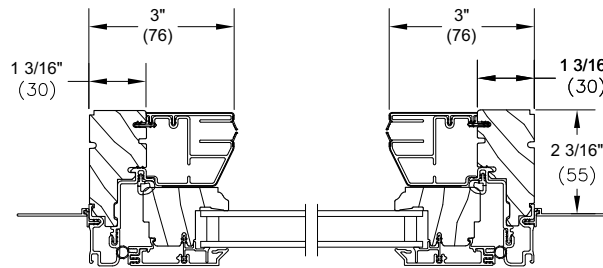
**Section Details: Retractable Screen - Narrow Frame Awning**

Scale: 3" = 1' 0"



Head Jamb and Sill  
Screen Open

Head Jamb and Sill  
Screen Closed

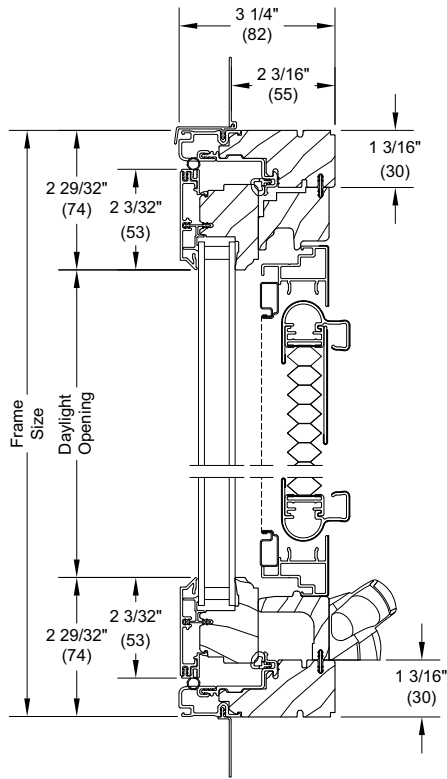
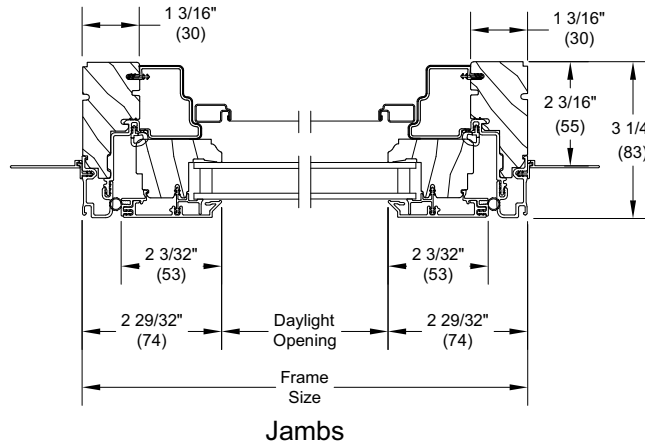


Jambs

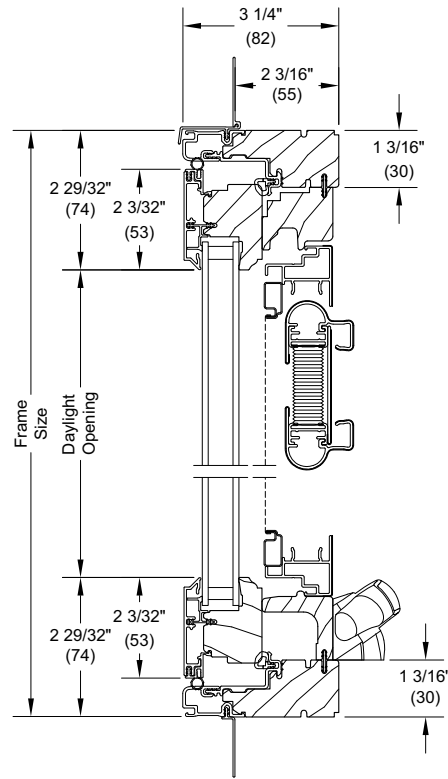
*NOTE: Square sticking is the default for the narrow frame product.*

**Section Details: Interior Shade - Narrow Frame Casement and Awning**

Scale: 3" = 1' 0"



Head Jamb and Sill  
Shades closed



Head Jamb and Sill  
Shades open

*NOTE: Square sticking is the default for the narrow frame product.*