

Elevate Double Hung (ELDH) HP Kit Field Install, 2006 to Present



ABSTRACT: Please read and follow instructions carefully to ensure that your unit will meet performance and operation specifications. This instruction is intended for replacing and installing a High Performance Sill Cover on an Elevate Double Hung unit produced from 2006 to present.

1. Raise or remove bottom sash.
2. Using a stiff bladed putty knife, pry the existing sill liner off. Make sure the connecting barbs come out of the kerf in the sill. If they remain, simply remove with a pliers. See figure 1.



Figure 1

3. Carefully scrape the black foam tape off the sill dam. See figure 2.

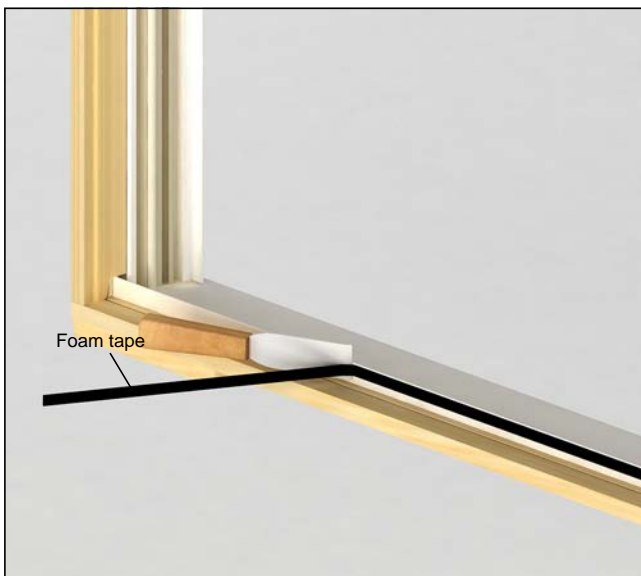


Figure 2

4. Place the HP end seals on the left and right jambs at the sill, butted up against the sill dam with the square cut out contour gasket aligning along and over the sill dam See figure 3.

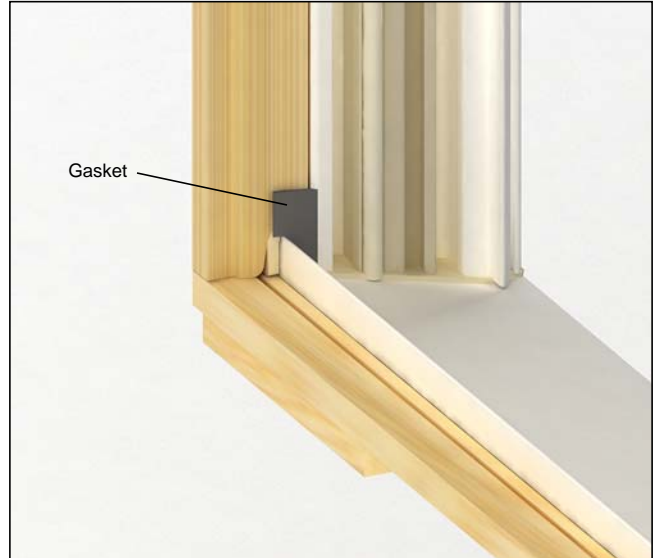


Figure 3

5. Slide one end of the HP seal over the sill dam against the jamb, bow the HP seal a small amount to create room to slide the other end onto the sill dam. See figure 4. Press the entire HP seal over the sill dam from the middle out.



Figure 4

6. Insert the vinyl connecting barbs into the kerf on the HP cover. See figure 5.

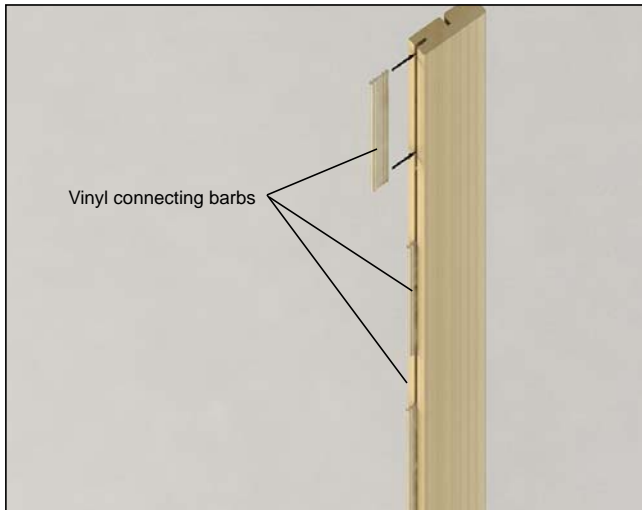


Figure 5

7. Press the HP cover into the kerf on the wood sill liner and roll the HP cover so that the HP seal barbs insert into the HP cover kerf. See figure 6.

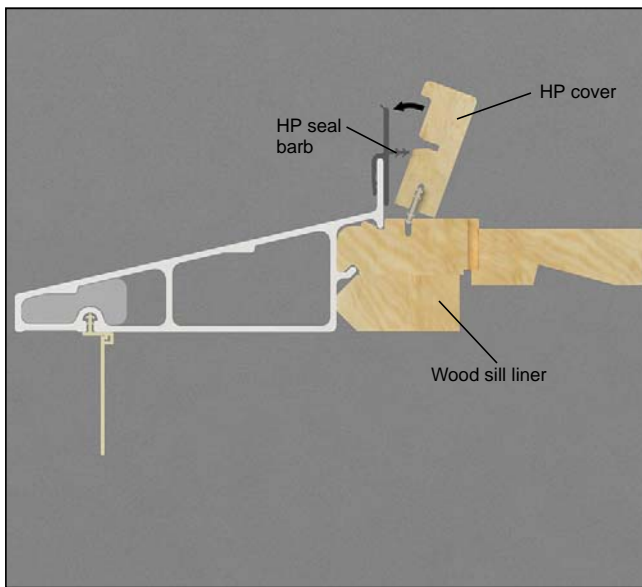


Figure 6

8. If HP cover is not tight against the wood sill liner after rolled into place, tap gently with a soft faced or dead blow hammer. Replace sash if removed earlier.