

DOUBLE HUNG

INTEGRITY® FROM MARVIN®
WOOD-ULTREX® SERIES

3 Wide and Operator Units

4 Wide Operator Units

MO (mm)	9-5 (2870)	7-2 1/2 (2197)	8-6 1/2 (2604)
RO (mm)	9-5 1/2 (2883)	7-3 (2210)	8-7 (2616)
FS (mm)	9-4 1/2 (2858)	7-2 (2184)	8-6 (2591)

3-0 (914) 3-0 1/4 (921)			
3-4 (1016) 3-4 1/4 (1022)			
3-8 (1176) 3-8 1/4 (1124)			
4-0 (1219) 4-0 1/4 (1226)			
4-4 (1321) 4-4 1/4 (1327)			
4-8 (1422) 4-8 1/4 (1429)			
5-0 (1524) 5-0 1/4 (1530)			
5-4 (1626) 5-4 1/4 (1632)			
5-8 (1727) 5-8 1/4 (1734)			
6-0 (1829) 6-0 1/4 (1835)			
6-4 (1930) 6-4 1/4 (1937)			

Details and Elevations not to scale.

Special sized units available within and outside of CN matrix. Please contact your Integrity Dealer.

Minimum frame size: 17.5" x 27.75"

Maximum frame size: 53.5" x 83.75"

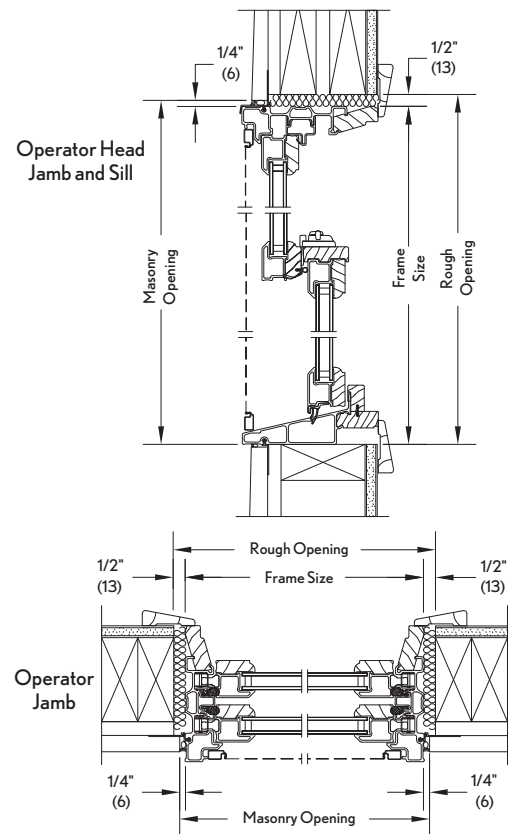
Optional Double Hung Grilles, GBGs and SDLs are available in a standard Rectangular cut shown. Other available lite cuts shown on page 3.

When ordering 6 9/16" (167 mm) or 6 13/16" (173 mm) jambs, add 1/4" (6 mm) to width and 1/8" (3 mm) to height for Rough Opening, Frame Size and Masonry Opening.

E = These windows meet National Egress Codes for fire evacuation. Local codes may differ.

Available in equal, cottage, and reverse cottage sash configurations. Cottage and reverse cottage sash configurations are not available below CN 36 height and above CN 68 height.

Construction Details



MULTIPLE ASSEMBLIES

Multiple assemblies can be factory mullled.

MAXIMUM ROUGH OPENING not to exceed 113 1/2" x 76 1/4" Maximum up to 5 units wide by 1 unit high.

MAXIMUM ROUGH OPENING not to exceed 84" x 92" Maximum up to 3 units wide by 5 units high.

Field mull kits are available. Structural mullion reinforcement is required for some assemblies.

Please consult your local Integrity from Marvin representative for more information.