

ELEVATE SLIDING FRENCH DOOR

| | PAGE |
|--|-------------|
| History | 2 |
| Part Identification – Two Panel Operator | 4 |
| Part Identification – Two Panel Operator – IZ3 | 5 |
| Part Identification – Two Panel Operator – HP | 6 |
| Part Identification – Three Panel Operator | 7 |
| Part Identification – Three Panel Operator – HP | 8 |
| Part Identification – Four Panel Operator | 9 |
| Parts | |
| Hardware and Miscellaneous | 10 |
| Installation Packages | 19 |
| Aluminum Parts | 21 |
| Vinyl Parts | 29 |
| Wood Parts | 34 |
| Weather Strip | 38 |
| Panel Replacement | 41 |
| Field Service Kits for Panel Replacement | 42 |
| Screens and Screen Parts | 43 |
| Discontinued Parts | |
| Discontinued Parts – Limited Availability (LA) | 47 |
| Discontinued Vinyl and Aluminum – Limited Availability (LA) | 53 |
| Discontinued Parts – No Availability (NA) | 56 |
| Discontinued Wood Parts – No Availability (NA) | 57 |
| Discontinued Parts – Pre 4/25/2016 | |
| Discontinued Vinyl and Aluminum – Limited Availability (LA) – Pre 4/25/16 | 58 |
| Discontinued Wood Parts – Limited Availability (LA) – Pre 4/25/16 | 67 |
| Discontinued Weather Strip – Limited Availability (LA) – Pre 4/25/16 | 69 |
| Discontinued Screen Parts – Limited Availability (LA) – Pre 4/25/16 | 71 |
| Discontinued Installation Packages – Limited Availability (LA) – Pre 4/25/16 | 72 |
| Discontinued Vinyl and Aluminum – No Availability (NA) – Pre 4/25/16 | 74 |
| Discontinued Wood Parts – No Availability (NA) – Pre 4/25/16 | 75 |
| Discontinued Parts – 3/1/04 Door Resizing | |
| Discontinued Vinyl and Aluminum Parts – Limited Availability (LA) – 3/1/04 Door Resizing | 76 |
| Discontinued Wood Parts – Limited Availability (LA) – 3/1/04 Door Resizing | 77 |
| Discontinued Screen Parts – Limited Availability (LA) – 3/1/04 Door Resizing | 78 |
| Discontinued Vinyl Parts – No Availability (NA) – 3/1/04 Door Resizing | 79 |

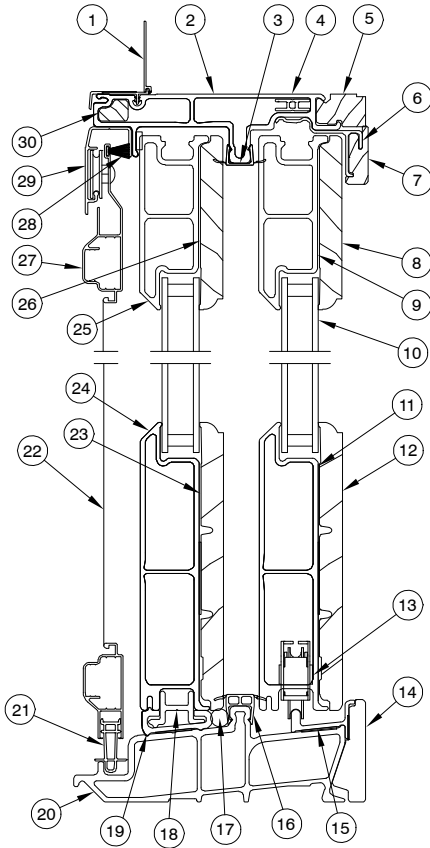
ATTENTION:

- Note: For door transom information see Round Top/Polygon chapter.
- Specification and technical data are subject to change without notice.
- Numbers listed in parentheses () are metric equivalents in millimeters rounded to the nearest whole number.

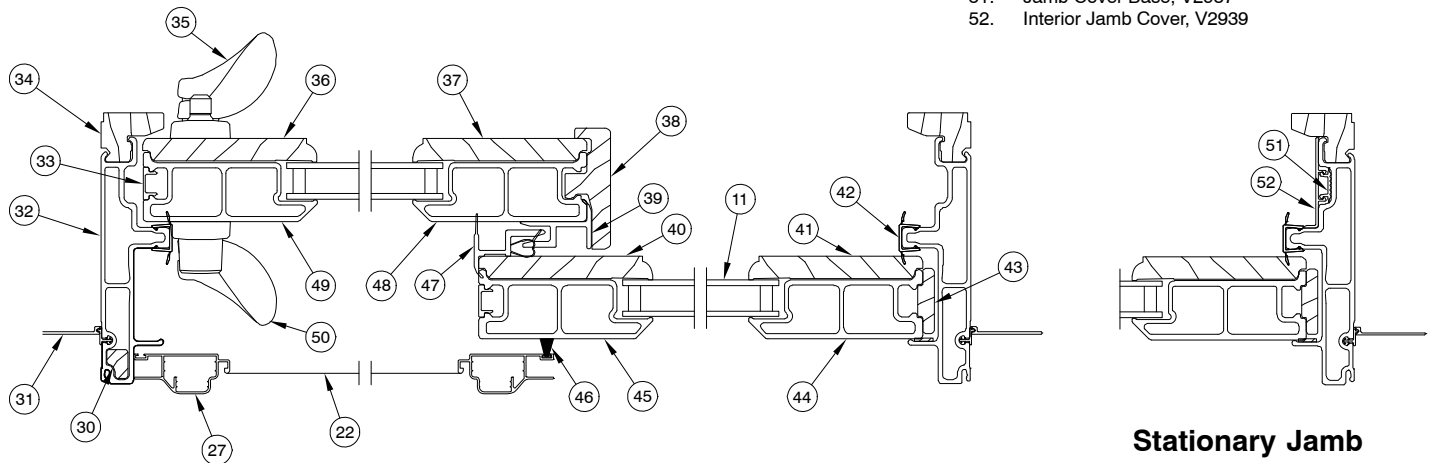
| PRODUCED | UNIT TYPE | FEATURES OR CHANGES | STATUS |
|----------------|--|---|--------------------|
| March 2003 | Sliding French Door | Unit features 3/4" insulating Low E II tempered glass with Argon, wide bottom rail, stainless steel ball bearing twin roller operating system, dual point mortise style locking system, easy glide roller track. Pultruded fiberglass (Ultrax) exterior available in white or pebble gray, oak sill liner and color matched top hung screen. Available in 5068, 6065, 6068, 6080 (2 panel) sizes. Also 9068 and 9080 (three panel). XO, OX, XOO,OXO, OOX configurations. Non keyed handle available in almond frost, white or solid brass. | Present |
| October 2003 | Sliding French Door | 8-0 widths added starting 10-6-03. 8065, 8068, 8080 sizes available in OX or XO configurations only. | Present |
| March 2004 | Sliding French Door Sliding French Door | Standard 6-0 door width changed from 73" opening to 72" opening. Effective 3/1/04. Pebble exterior/white interior GBGs available 3/1/04. | Present Present |
| November 2004 | Sliding French Door | Redesigned leveling block and end cap, interlock, and added a sill filler to support stationary panels on 8-0 doors. Effective November 9, 2004. | Present |
| January 2005 | Sliding French Door | Added Oil Rubbed Bronze and Satin Nickel as standard hardware options. Effective 1/17/05. | Present |
| July 2006 | Sliding French Door | SDL offered on all Elevate Series windows and doors. 7/8" wide bars with Ultrax exterior and wood interior. See Product Bulletin 66 for more details. | Present |
| September 2006 | Sliding French Door | Prairie SDL and GBG Lite cuts made available for the Elevate Series windows and doors. See Product Bulletin 70 for more details. | Present |
| March 2007 | Sliding French Door | Bronze exteriors introduced. | Present |
| November 2007 | Sliding French Door | Evergreen exteriors introduced. | Present |
| March 2008 | Sliding French Door | Cashmere exteriors introduced March 17, 2008. | Present |
| June 2008 | Sliding French Door | Keyed handle set standard. PVD finish available on Brass, Satin Nickel, and Oil Rubbed Bronze. | Present |
| July 2008 | Sliding French Door | Cottage SDL lite cut made available for. Refer to product bulletin #99. | Present |
| March 2009 | Sliding French Door | IZ3 Door introduced. | Present |
| May 2009 | Sliding French Door | LoE ³ 366™ glass option introduced. | Present |
| January 2010 | Sliding French Door | Introduced new grille tack and installation tool and added to accessory chapter. | Present |
| December 2010 | Sliding French Door | Introduced 9065 size on a 3 wide door, 12/20/2010. | Present |
| June 2011 | Sliding French Door | Updated Sill Liner profile to W10252, 6/27/2011 | Present |
| August 2012 | Sliding French Door | August 27, 2012: Introduced Ebony exterior and exterior casing options. | Present |
| April 2014 | Sliding French Door | April 28, 2014: Interior and Exterior Split Finish option became available so customers could choose different colors between exterior and interior handles. All current handle styles were given the name Cambridge. Handles are no longer available in sets. | Present |
| June 2014 | Sliding French Door | June 23, 2014: Introduced CN 7-0 Heights, CN 7-6 Widths, and OXXO (4 Panel) Configurations. | Present |
| October 2014 | Sliding French Door | October 27, 2014: Added Northfield hardware handle sets. | Present |
| April 2016 | Sliding French Door | April 25, 2016: Implemented the design of the 4 panel configuration frame, sill, and panels to the 2 and 3 panel configurations. Now offering a high performance option on the 2 and 3 panel configuration. Also added a coastal hardware option to the 4 panel configuration. | Present |

| PRODUCED | UNIT TYPE | FEATURES OR CHANGES | STATUS |
|---------------|---------------------|---|---------|
| October 2017 | Sliding French Door | October 30, 2017: Implemented the new design of the Interlock Seal | Present |
| December 2017 | Sliding French Door | December 18, 2017: Added availability of customer specified divided lite cut configurations for SDL with and with out spacer bar and GBG. To include simulated check rail and allow any color GBG to the exterior only of standard and special sized units. | Present |
| June 2018 | Sliding French Door | June 25, 2018: Implemented 4' panel width for 3 panel configurations and a new screen stop base and continuous head jamb screen track on OXO configurations. | Present |
| August 2018 | Sliding French Door | August 27, 2018: Updated the Screen Roller Guide Assembly to Screen Roller Guide – V2932. The new Screen Roller Guide can be used on all doors manufactured after 4/25/2016. | Present |
| October 2018 | Sliding French Door | October 29, 2018 – Introduced Designer Black and Clear interior finishes and Matte Black (MBK) hardware option. Replaced Sill Liner W12077 with V2693, HP/IZ3 W12565 with V2953. All products will use the PVC profile in place of the wood profile. Low E3 ERS glass type was added. | Present |
| December 2018 | Sliding French Door | December 17, 2018: Introduced textured glass types: Obscure, Reed, Narrow Reed, Rain, Glue Chip and Frost and also colored glass types: Clear, Bronze, Gray and Green. | Present |
| February 2019 | Sliding French Door | February 25, 2019: The handles were standardized across the Elevate Sliding Door product lines. The handle now has a thinner escutcheon plate. | Present |
| December 2019 | Sliding French Door | December 16, 2019: Discontinued the sale of Wood Removable Grilles. | Present |

**2 PANEL OPERATOR
XO Configuration Shown**



**Head Jamb and Sill Detail
Operator**



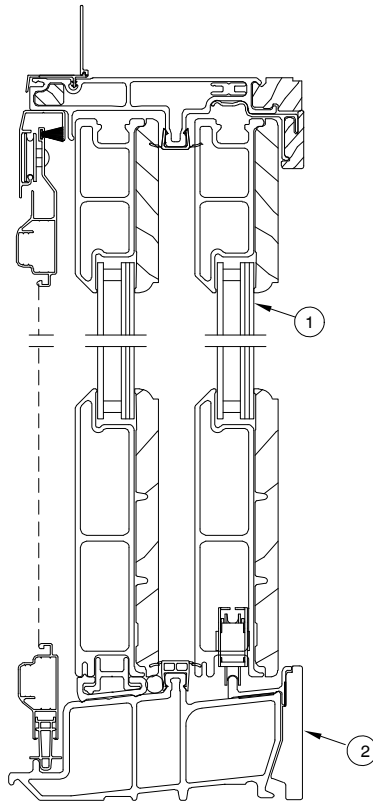
Jamb Detail – XO Operator

**Stationary Jamb
Interior Painted
Units Only**

1. Head Jamb Nailing Fin/Drip Cap
2. Ultrex Head Jamb
3. Head Jamb Parting Stop Weather Strip
4. Panel Guide Fastener Backer
5. Head Jamb Liner
6. Panel Guide Fastener
7. Panel Guide
8. Operator Panel Top Rail
9. Operator Panel Top Rail (Ultrex)
10. Insulating Glass
11. Operator Panel Bottom Rail (Ultrex)
12. Operator Panel Bottom Rail
13. Adjustable Roller
14. Sill Liner – V2693
15. Roller Track – V2341
16. Sill Weather Strip
17. Backer Rod
18. Stationary Panel Leveling Block Insert
19. Stationary Panel Leveling Block
20. Sill (Ultrex)
21. Screen Roller Guide – V2932
22. Screen Mesh
23. Stationary Panel Bottom Rail
24. Stationary Panel Bottom Rail (Ultrex)
25. Stationary Panel Top Rail (Ultrex)
26. Stationary Panel Top Rail
27. Screen Frame
28. Screen Weather Strip
29. Screen Track
30. Screen Track Backer
31. Jamb Nailing Fin
32. Jamb (Ultrex)
33. Stile Cover
34. Jamb Liner
35. Interior Handle
36. Operator Panel Locking Stile
37. Operator Panel Locking Stile (Ultrex)
38. Stile Filler
39. Operator Panel Interlock
40. Stationary Panel Meeting Stile
41. Stationary Panel Jamb Stile
42. Frame Weather Strip
43. Stationary Panel Spacer
44. Stationary Panel Jamb Stile (Ultrex)
45. Stationary Panel Meeting Stile (Ultrex)
46. Screen Weather Strip
47. Stationary Panel Interlock
48. Operator Panel Meeting Stile (Ultrex)
49. Operator Panel Locking Stile (Ultrex)
50. Exterior Handle
51. Jamb Cover Base, V2937
52. Interior Jamb Cover, V2939

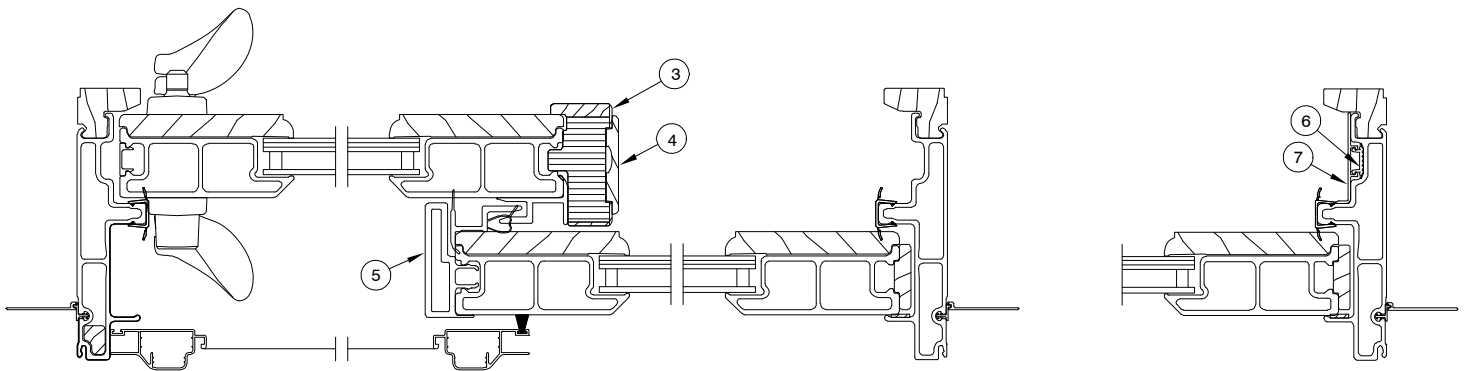
NOTE: Not to scale; specifications subject to change without notice.

2 PANEL OPERATOR IZ3
Note: XO Configuration Shown



**Head Jamb and Sill
Detail – IZ3
Operator**

1. IZ3 Glass
2. Sill Liner, V2953
3. IZ3/HP Interior LVL Astragal
4. IZ3/HP Interior Astragal Cap
5. IZ3/HP Exterior Astragal
6. Jamb Cover Base, V2937
7. Jamb Cover, V2939



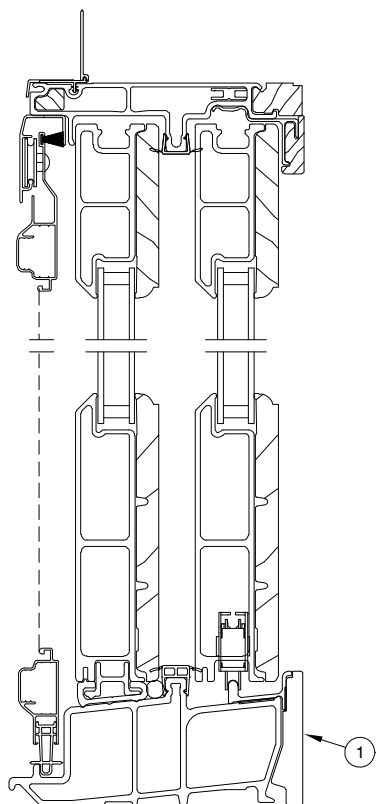
**Jamb Detail – IZ3
Operator**

**Stationary Jamb
Interior Painted
Units Only**

Note: OXO Configuration Shown

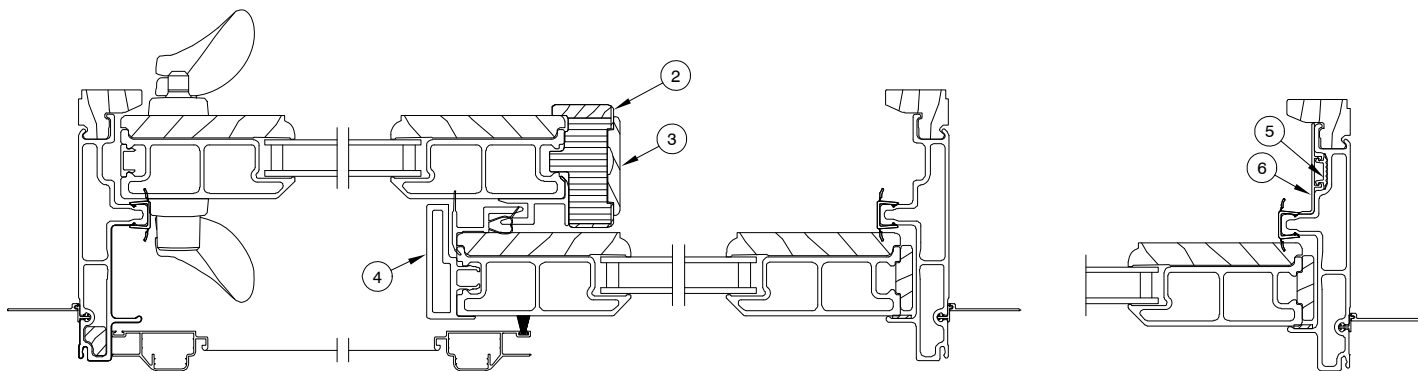
NOTE: Not to scale; specifications subject to change without notice.

2 PANEL OPERATOR HP
Note: XO Configuration Shown



**Head Jamb and
Sill Detail – HP
Operator**

1. Sill Liner, V2953
2. IZ3/HP Interior LVL Astragal
3. IZ3/HP Interior Astragal Cap
4. IZ3/HP Exterior Astragal
5. Jamb Cover Base, V2937
6. Jamb Cover, V2939



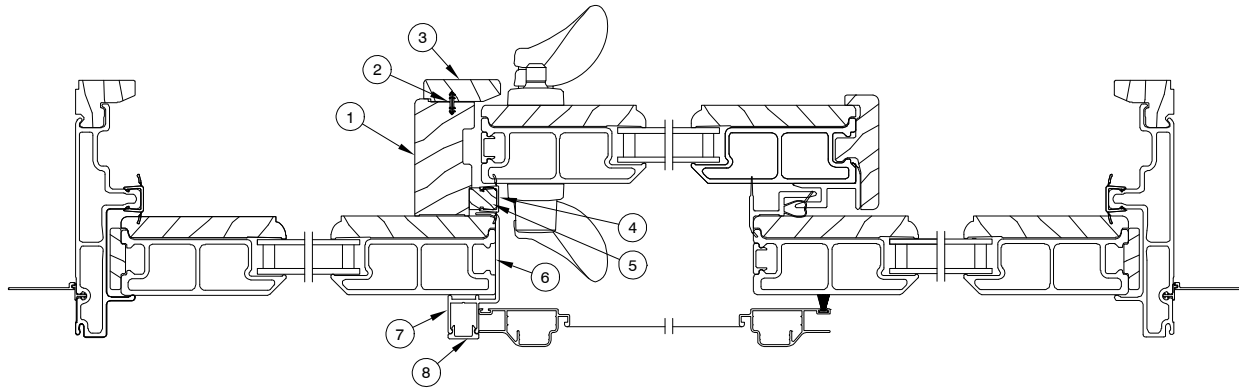
Jamb Detail – HP

**Stationary Jamb
Interior Painted
Units Only**

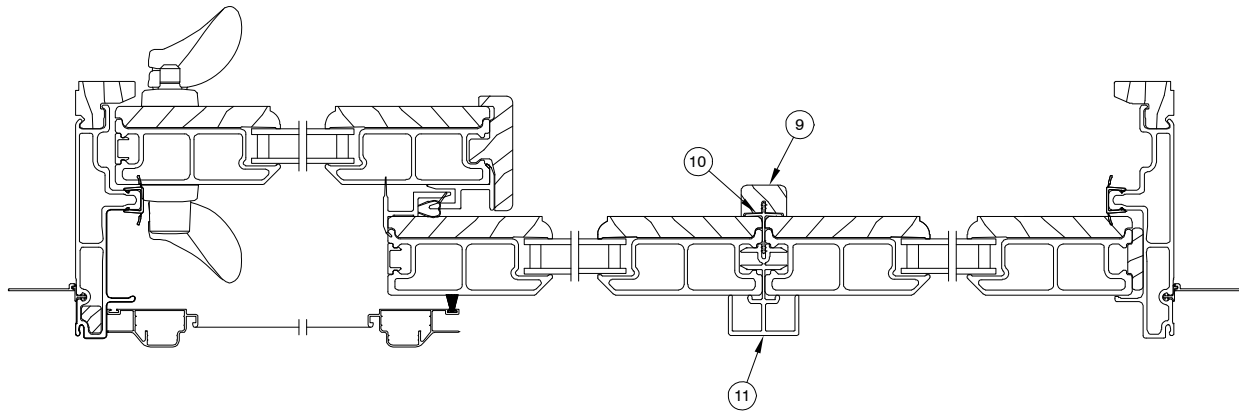
NOTE: XO CONFIGURATION SHOWN

NOTE: Not to scale; specifications subject to change without notice.

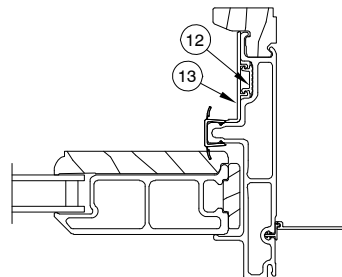
**SLIDING FRENCH DOOR
3 PANEL OPERATORS**



JAMB DETAIL



**3 PANEL JAMB
DETAIL - XOO**



**Stationary Jamb
Interior Painted
Units Only**

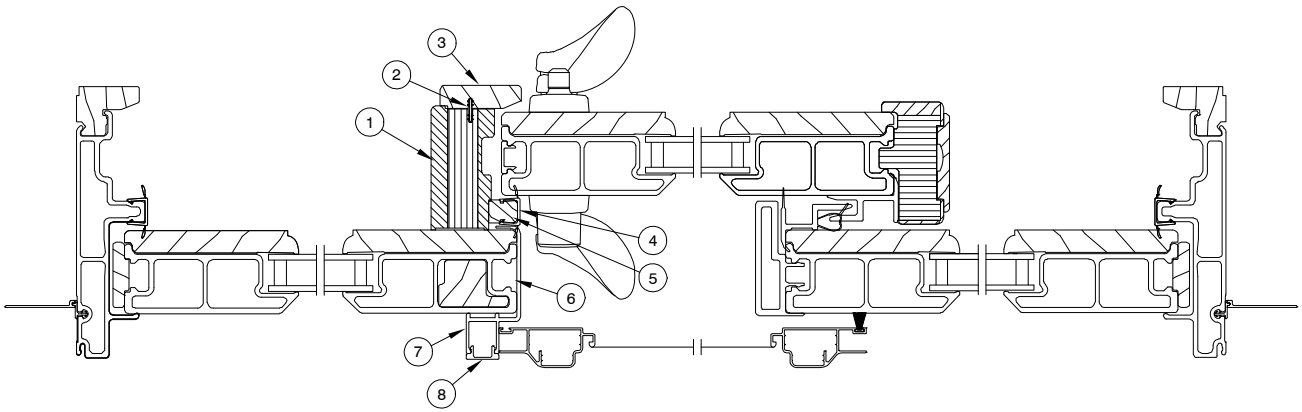
- 1. Astragal
- 2. Connecting Barb
- 3. Astragal Trim
- 4. OXO Astragal Parting Stop Weather Strip
- 5. Astragal Parting Stop

- 6. Astragal Stile Cap
- 7. Screen Stop Astragal Base, OXO
- 8. Stile Cover
- 9. Mull Trim
- 10. Stationary Panel Spline Insert

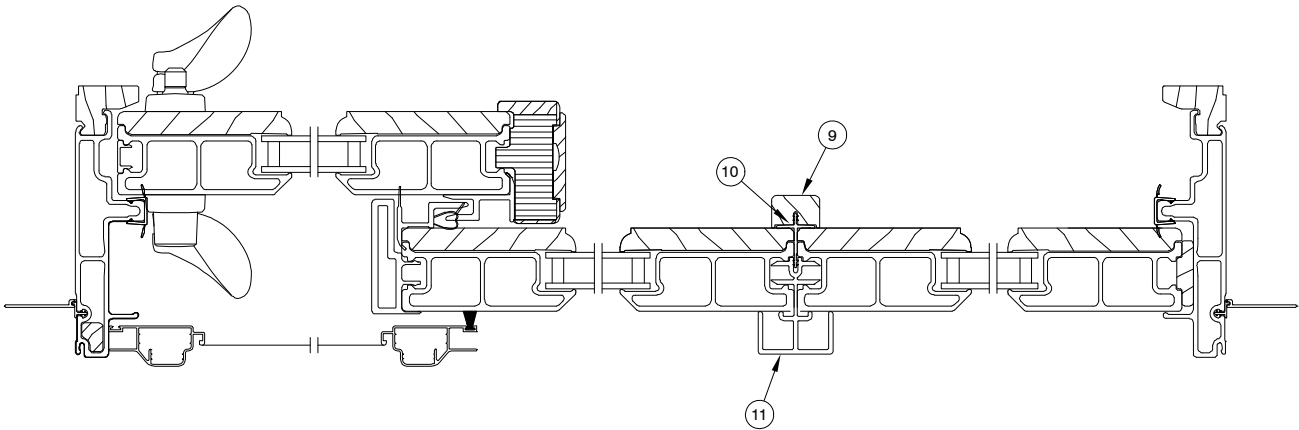
- 11. Stationary Panel Spline
- 12. Jamb Cover Base
- 13. Jamb Cover, Interior

NOTE: Not to scale; specifications subject to change without notice.

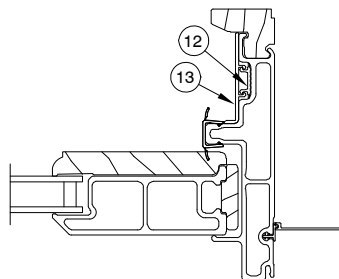
**SLIDING FRENCH DOOR – HP
3 PANEL OPERATORS**



JAMB DETAIL HP



**3 PANEL JAMB DETAIL –
XOO HP**



**Stationary Jamb
Interior Painted
Units Only**

- 1. Astragal
- 2. Connecting Barb
- 3. Astragal Trim
- 4. OXO Astragal Parting Stop Weather Strip
- 5. Astragal Parting Stop

- 6. Astragal Stile Cap
- 7. Screen Stop Astragal Base, OXO
- 8. Screen Stop Astragal Cap
- 9. Mull Trim
- 10. Stationary Panel Spline Insert

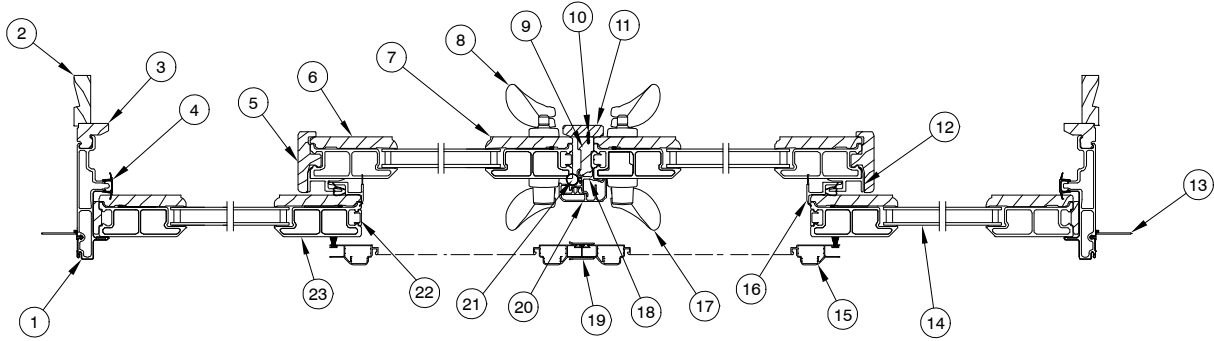
- 11. Stationary Panel Spline
- 12. Jamb Cover Base
- 13. Jamb Cover, Interior

NOTE: Not to scale; specifications subject to change without notice.

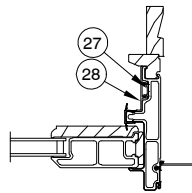
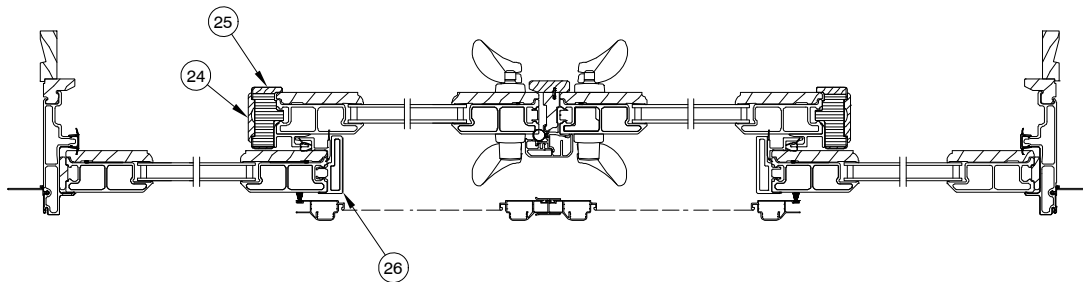
**SLIDING FRENCH DOOR
4 PANEL OPERATORS – OXXO**

JAMB DETAILS

CN7-0 Height and Shorter



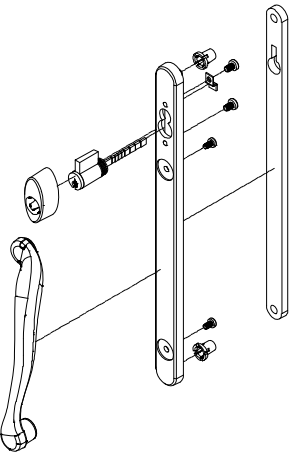
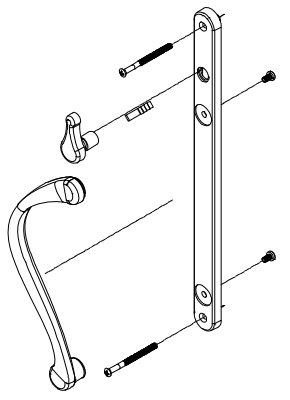
Above CN7-0 Heights

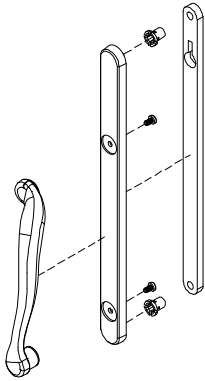
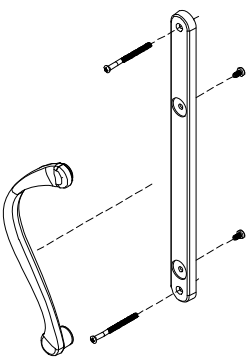


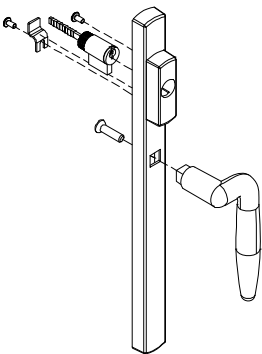
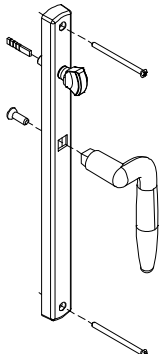
**Stationary Jamb
Interior Painted
Units Only**

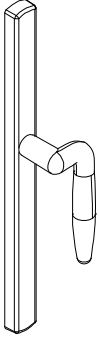
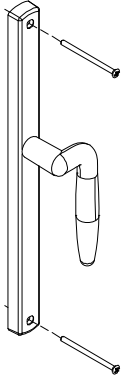
- | | | |
|--|---------------------------|-------------------------------------|
| 1. Ultrex Jamb | 11. Astragal Trim | 20. Astragal Cap |
| 2. Wood Jamb Extension | 12. Interlock Operator | 21. Astragal Weather Strip |
| 3. Jamb Liner | 13. Nailing Fin | 22. Stile Cover |
| 4. Oper. Jamb Parting Stop Weather Strip | 14. Insulating Glass | 23. Ultrex Stile/Top Rail, Exterior |
| 5. Oper. Wood Filler | 15. Screen Panel | 24. Interior Astragal Cap, IZ3 |
| 6. Oper. Meeting Stile | 16. Interlock, Stationary | 25. Interior Astragal, IZ3 |
| 7. Oper. Locking Stile | 17. Exterior Handle | 26. Exterior Astragal, IZ3 |
| 8. Interior Handle | 18. Astragal Base | 27. Jamb Cover Base |
| 9. Astragal, Interior | 19. Screen Astragal | 28. Jamb Cover, Interior |

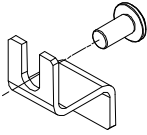
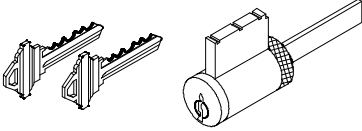

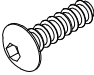
NOTE: Not to scale; specifications subject to change without notice.

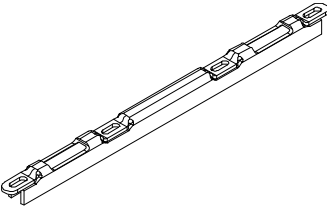
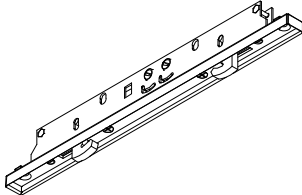
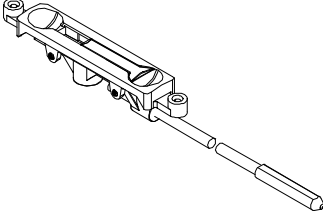
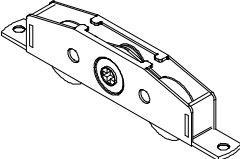
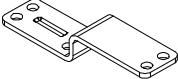
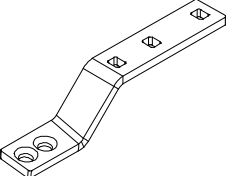
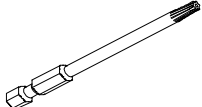
| ILLUSTRATION NOT TO SCALE | DESCRIPTION | OPER./COLOR | PART NO. |
|--|---|--|----------|
|  <p>XO/XOO/OXO-R/OXXO-R shown</p> | <p>Active Handle Set, Cambridge, Exterior</p> <p><i>Includes:</i></p> <ul style="list-style-type: none"> 1 - Exterior escutcheon 1 - Handle 2 - Handle screws (118095) 1 - Post nut 1 - Keyed cylinder cover 1 - Keyed cylinder (108810) 2 - Cylinder cover screws 1 - Hardware gasket 1 - Z-clip <p><i>Also:</i></p> <ul style="list-style-type: none"> 2-Keys 1-Allen wrench 1-Instructions <p><i>NOTE: All units viewed from exterior. O=Stationary Panel, X= Operating Panel</i></p> | <p>XO/XOO/OXO/OXXO-R</p> <ul style="list-style-type: none"> White 108852 Brass PVD 108858 Satin Nickel PVD 108860 Oil Rubbed Bronze PVD 108862 Almond Frost 108874 Matte Black 108872 | |
|  <p>XO/XOO/OXO-R/OXXO-R shown</p> | <p>Active Handle Set, Cambridge, Interior</p> <p><i>Includes:</i></p> <ul style="list-style-type: none"> 1 - Interior escutcheon 1 - Handle 2 - Handle screws (118095) 2 - #8-32 x 2" machine screws (escutcheon) 1 - Thumb turn 1 - Thumb turn extension 1 - Instruction card <p><i>Also:</i></p> <ul style="list-style-type: none"> 1-Allen wrench <p><i>NOTE: All units viewed from exterior. O=Stationary Panel, X= Operating Panel</i></p> | <p>XO/XOO/OXO/OXXO-R</p> <ul style="list-style-type: none"> White 208840 Brass PVD 208846 Satin Nickel PVD 208848 Oil Rubbed Bronze PVD 208850 Almond Frost 208870 Matte Black 208868 | |
| | | <p>OX/OOX/OXO/OXXO-L</p> <ul style="list-style-type: none"> White 208841 Brass PVD 208847 Satin Nickel PVD 208849 Oil Rubbed Bronze PVD 208851 Almond Frost 208871 Matte Black 208869 | |

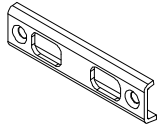
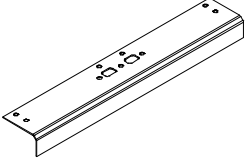
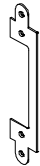
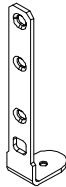
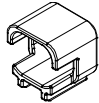
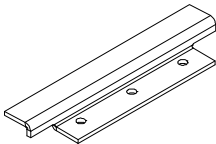
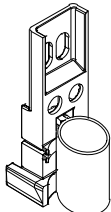
| ILLUSTRATION NOT TO SCALE | DESCRIPTION | OPER./COLOR | PART NO. |
|---|--|---|----------|
|  <p>OXXO-R shown</p> | <p>Passive Handle Set, Cambridge, Exterior</p> <p><i>Includes:</i></p> <ul style="list-style-type: none"> 1 - Handle 1 - Exterior escutcheon 1 - Hardware gasket 2 - Handle screws (118095) 2 - Post nut 1 - Instruction card <p><i>Also:</i></p> <ul style="list-style-type: none"> 1-Allen wrench <p><i>NOTE: All units viewed from exterior. O=Stationary Panel, X= Operating Panel</i></p> | <p>OXXO-R</p> <ul style="list-style-type: none"> White 228878 Brass PVD 228876 Satin Nickel PVD 228874 Oil Rubbed Bronze PVD 228872 Almond Frost 228870 Matte Black 228868 | |
|  <p>OXXO-R shown</p> | <p>Passive Handle Set, Cambridge, Interior</p> <p><i>Includes:</i></p> <ul style="list-style-type: none"> 1 - Handle 1 - Interior escutcheon 2 - Handle screws 2 - #8-32 x 2" machine screws (escutcheon) 1 - Instruction card <p><i>Also:</i></p> <ul style="list-style-type: none"> 1-Allen wrench <p><i>NOTE: All units viewed from exterior. O=Stationary Panel, X= Operating Panel</i></p> | <p>OXXO-R</p> <ul style="list-style-type: none"> White 218878 Brass PVD 218876 Satin Nickel PVD 218874 Oil Rubbed Bronze PVD 218872 Almond Frost 218870 Matte Black 218868 | |
| | | <p>OXXO-L</p> <ul style="list-style-type: none"> White 218879 Brass PVD 218877 Satin Nickel PVD 218875 Oil Rubbed Bronze PVD 218873 Almond Frost 218871 Matte Black 218869 | |


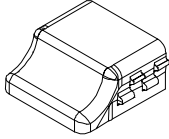
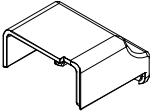
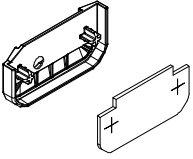
| ILLUSTRATION NOT TO SCALE | DESCRIPTION | OPER./COLOR | PART NO. |
|--|--|--|----------|
|  <p>XO/XOO/OXO-R/OXXO-R shown</p> | <p>Active Handle Set, Northfield, Exterior, 1"</p> <p><i>Includes:</i></p> <ul style="list-style-type: none"> 1 - Handle 1 - Exterior escutcheon 1 - Handle screw 1 - Handle bracket 2 - Handle bracket screws 1 - Keyed cylinder 2 - Z-clip/Keyed cylinder cover screws 1 - Z-clip <p><i>Also:</i></p> <ul style="list-style-type: none"> 2 - Keys 1 - Allen wrench 1 - Instructions <p><i>NOTE: All units viewed from exterior. O=Stationary Panel, X= Operating Panel</i></p> | <p>XO/XOO/OXO/OXXO-R</p> <ul style="list-style-type: none"> White 11868101 Brass PVD 11868103 Satin Nickel PVD 11868105 Oil Rubbed Bronze PVD 11868107 Almond Frost 11868109 Matte Black 11868111 | |
|  <p>XO/XOO/OXO-L/OXXO-L shown</p> | <p>Active Handle Set, Northfield, Interior, 1"</p> <p><i>Includes:</i></p> <ul style="list-style-type: none"> 1 - Handle 1 - Thumb turn 1 - Interior escutcheon 2 - #8-32 x 2 1/2" machine screws 1 - Handle screw 1 - Handle bracket 2 - Handle bracket screws (escutcheon) 1 - Tail piece 1 - Instruction card <p><i>Also:</i></p> <ul style="list-style-type: none"> 1 - Allen wrench <p><i>NOTE: All units viewed from exterior. O=Stationary Panel, X= Operating Panel</i></p> | <p>XO/XOO/OXO/OXXO-R</p> <ul style="list-style-type: none"> White 11868120 Brass PVD 11868122 Satin Nickel PVD 11868124 Oil Rubbed Bronze PVD 11868126 Almond Frost 11868128 Matte Black 11868130 | |
| | | <p>OX/OOX/OXO/OXXO-L</p> <ul style="list-style-type: none"> White 11868121 Brass PVD 11868123 Satin Nickel PVD 11868125 Oil Rubbed Bronze PVD 11868127 Almond Frost 11868129 Matte Black 11868131 | |

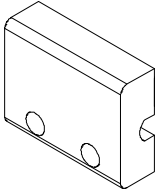
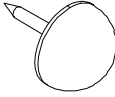
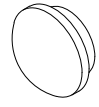
| ILLUSTRATION NOT TO SCALE | DESCRIPTION | OPER./COLOR | PART NO. |
|---|---|---|----------|
|  <p>OXXO-L shown</p> | <p>Passive Handle Set, Northfield, Exterior, 1"</p> <p><i>Includes:</i></p> <ul style="list-style-type: none"> 1 - Handle 1 - Exterior escutcheon 1 - Handle screw 1 - Handle bracket 2 - Bracket screws <p><i>Also:</i></p> <ul style="list-style-type: none"> 1 - Allen wrench <p><i>NOTE: All units viewed from exterior. O=Stationary Panel, X= Operating Panel</i></p> | <p>OXXO-R</p> <ul style="list-style-type: none"> White 11868160 Brass PVD 11868162 Satin Nickel PVD 11868164 Oil Rubbed Bronze PVD 11868166 Almond Frost 11868168 Matte Black 11868170 | |
|  <p>OXXO-R shown</p> | <p>Passive Handle Set, Northfield, Interior, 1"</p> <p><i>Includes:</i></p> <ul style="list-style-type: none"> 1 - Handle 1 - Interior escutcheon 1 - Handle screw 2 - #8-32 x 2" machine screws (escutcheon) 1 - Instruction card 1 - Handle bracket 2 - Handle bracket screws <p><i>Also:</i></p> <ul style="list-style-type: none"> 1 - Allen wrench <p><i>NOTE: All units viewed from exterior. O=Stationary Panel, X= Operating Panel</i></p> | <p>OXXO-R</p> <ul style="list-style-type: none"> White 11868140 Brass PVD 11868142 Satin Nickel PVD 11868144 Oil Rubbed Bronze PVD 11868146 Almond Frost 11868148 Matte Black 11868150 | |
| | | <p>OXXO-L</p> <ul style="list-style-type: none"> White 11868141 Brass PVD 11868143 Satin Nickel PVD 11868145 Oil Rubbed Bronze PVD 11868147 Almond Frost 11868149 Matte Black 11868151 | |

| ILLUSTRATION NOT TO SCALE | DESCRIPTION | OPER./COLOR | PART NO. |
|---|--|--|--|
|  | <p>Cambridge Z-Clip Includes: 1 - Z-Clip Screw</p> | | 108815 |
| | <p>Northfield Z-Clip Includes: 1 - Z-Clip Screw</p> | | 108817 |
|  | <p>Key Cylinder Includes: 1-Lock cylinder 2-Keys <i>USAGE: 6/2008 to present</i> <i>NOTE: For keyed alike cylinders, please contact your Marvin representative. Please supply the original order number if possible.</i></p> | | 108810 |
|  | <p>Cambridge Escutcheon Plate Screws Includes: 1 - #8 x 2" Phillips oval head screw (attach exterior to interior plate) <i>USAGE: 6/2008 to present</i></p> | <p>Brass White Oil Rubbed Bronze Satin Nickel Almond Frost Matte Black</p> | <p>118092 118090 118094 118093 118096 118100</p> |
| | <p>Northfield Escutcheon Plate Screws Includes: 1 - #8 x 2 1/2" Phillips oval head screw (attach exterior to interior plate) <i>USAGE: 6/2008 to present</i></p> | <p>Brass White Oil Rubbed Bronze Satin Nickel Almond Frost</p> | <p>118084 118082 118086 118085 118083</p> |
|  | <p>Cambridge Handle Screws Includes: 1 - #8 x 7/16" button head cap screw <i>USAGE: 6/2008 to present</i></p> | | 118095 |

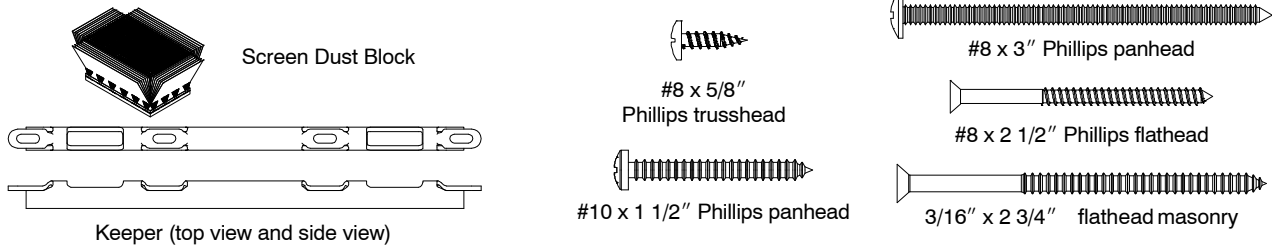
| ILLUSTRATION NOT TO SCALE | DESCRIPTION | OPER./COLOR | PART NO. |
|---|---|--------------------------------------|------------------------------|
|  | <p>Keeper Includes: 1- Keeper 10506788 WH, 10506789 SS 4- #8x3" Phillips panhead screws (not used on OXO)11800829 WH, 11806157 SS 4- #10x1 1/2" Phillips panhead screws (OXO only) 11801016 WH, 11806163 SS 1- Keeper Retro Fit Instruction - 19972247</p> | <p>White Stainless Steel</p> | <p>11897100 11896940</p> |
|  | <p>Mortise Lock Includes: 1-Mortise lock and trim plate 2-#8x1" Phillips flathead screws</p> | <p>White Stainless Steel</p> | <p>11897102 11896941</p> |
|  | <p>Flush Bolt Assembly Includes: 1- Flush Bolt Assembly (Flush Bolt Manual Actuator, Flush Bolt Threaded Rod, Flush Bolt Tip) - 10509688 2-#6x3/4" Phillips flathead screws 2-#6x5/8" Phillips flathead screws</p> | <p>Pearl White</p> | <p>10809688</p> |
|  | <p>Adjustable Panel Roller Includes: 2-#8x2" 410 screws</p> | <p>ZYD Stainless Steel</p> | <p>11897104 11896931</p> |
|  | <p>Stationary Panel Top Bracket Includes: 3-#8x1" Phillips panhead screws 1-#8x3" Phillips panhead screw NOTE: Color mismatch may exist on OXXO units ordered prior to 4/25/16, suggestion is to order two bracket covers (PN 10500801).</p> | <p>Stainless Steel</p> | <p>10188181</p> |
|  | <p>OXO Stationary Panel Sill Bracket Includes: 2-#8x1" Phillips panhead screws 2-#8x3/4" Pin-in Torx Flathead screws (T20)</p> | <p>Stainless Steel RH LH</p> | <p>10188183 10188182</p> |
|  | <p>Tamper Resistant Pin-in T20 Driver Bit NOTE: For T20 screws in kits above</p> | | <p>02095562</p> |

| ILLUSTRATION NOT TO SCALE | DESCRIPTION | OPER./COLOR | PART NO. |
|---|--|-----------------|----------------------|
|  | <p>Sill Strike Plate <i>Includes:</i> 2-#8x1 "Phillips flathead screws</p> | Stainless Steel | 10188184 |
|  | <p>Head Jamb Strike Plate <i>Includes:</i> 4-#8x5/8 "Phillips flathead screws 5-#8x2 1/2 "Phillips flathead screws</p> | Pearl White | 10188185 |
|  | <p>Flush Bolt Face Plate <i>Includes:</i> 2-#6x3/4 "Phillips flathead screws 2-#6x5/8 "Phillips flathead screws</p> | Pearl White | 10809350 |
|  | <p>Shoot Bolt Guide <i>Includes:</i> 2-#8x1 "Phillips flathead screws 1-#6x1/2 "Phillips flathead screw</p> | Pearl White | 10188187 |
|  | <p>Shoot Bolt Insert</p> | Black | 10500467 |
|  | <p>Interlock Hook <i>Includes:</i> 3-#8x1 "Phillips panhead screws 3-#8x1 1/2 "Phillips panhead screw</p> | Stainless Steel | 10801338 |
|  | <p>Interlock Seal <i>Available replacement screws</i> 1-#8 x 1 1/2" Phillips pan head screw <i>USAGE: 4/25/16 to present</i></p> | Beige Black | 11868809 11868810 |

| ILLUSTRATION <i>NOT TO SCALE</i> | DESCRIPTION | LENGTH/ COLOR | PART NO. |
|---|---|--|--|
|  | Sill Drain Weep | Black | 15631215 |
|  | Top Stationary Bracket Cover | Beige Black | 10500801 10500809 |
|  | Sill Leveling Block End Cap <i>NOTE: RH=XO, LH=OX</i> | Beige (LH) Beige (RH) Black (LH) Black (RH) | 10801583 10801582 10809583 10809582 |
|  | OXXO Astragal End Cap <i>Includes:</i> 1 – Astragal Cap Gasket 1 – #8x3/4" Phillips flathead screw 1 – Astragal Cap Dust Block | Beige RH–Top/LH–Btm RH–Btm/LH–Top Black RH–Top/LH–Btm RH–Btm/LH–Top | 10806300 10806301 10809300 10809301 |

| ILLUSTRATION NOT TO SCALE | DESCRIPTION | LENGTH/ COLOR | PART NO. |
|---|------------------------------|--|--|
|  | Operator Stop Block | | |
| | OOX/XOO | Beige Bronze | 39201102 39201200 |
| | OX/XO/OXO/OXXO | Beige Bronze | 39201100 39201101 |
|  | Thumb Tack Bumper | Beige Black | 02101000 02101006 |
|  | Panel Adjustment Plug | Bare White Designer Black Clear | 01060619 39200619 39200620 31660619 |

ILLUSTRATIONS – NOT TO SCALE



| Sliding French Door – Installation Packages | Part No. |
|---|--|
| Primary XO/OX Kit | |
| <p><i>Includes:</i> 18 – #8 x 3 " Phillips panhead screws – pearl white (11800829) 1 – #8 x 3 " Phillips panhead screws – stainless steel (11806157) 1 – #10 x 1 1/2" Phillips panhead screws – pearl white (11801016)</p> | <p>2 – Screen dust blocks (10500161) 1 – Keeper (10506788) 1 – General Door installation instruction (19915634) 1 – ELSFD installation instruction (19915633) 1 – Nailing fin corner gasket set</p> <p style="text-align: right;">31505733</p> |
| Primary OXO Kit | |
| <p><i>Includes:</i> 12 – #8 x 3 " Phillips panhead screws – pearl white (11800829) 2 – #8 x 3 " Phillips panhead screws – stainless steel (11806157) 4 – #10 x 1 1/2" Phillips panhead screws – pearl white (11801016)</p> | <p>2 – Screen dust blocks (10500161) 1 – Keeper (10506788) 1 – General Door installation instruction (19915634) 1 – ELSFD installation instruction (19915633) 1 – Nailing fin corner gasket set</p> <p style="text-align: right;">31505734</p> |
| Primary XOO/OOX Kit | |
| <p><i>Includes:</i> 24 – #8 x 3 " Phillips panhead screws – pearl white (11800829) 1 – #8 x 3 " Phillips panhead screws – stainless steel (11806157)</p> | <p>2 – Screen dust blocks (10500161) 1 – Keeper (10506788) 1 – General Door installation instruction (19915634) 1 – ELSFD installation instruction (19915633) 1 – Nailing fin corner gasket set</p> <p style="text-align: right;">31505735</p> |
| Primary OXXO Kit | |
| <p><i>Includes:</i> 18 – #8 x 3 " Phillips panhead screws – pearl white (11800829) 3 – 3/16 " x 2 3/4 " flathead masonry screws (11800869) 2 – #8 x 3 " Phillips panhead screws – stainless steel (11806157) 5 – #8 x 2 1/2 " Phillips flathead screws – pearl white (11807173)</p> | <p>16 – #8 x 5/8 " Phillips trusshead screws – pearl white (11800862) 1 – Keeper (10506788) 1 – General Door installation instruction (19915634) 1 – ELSFD installation instruction (19915633) 1 – Nailing fin corner gasket set</p> <p style="text-align: right;">31505736</p> |
| G3 Supplemental for G2 Frame only | |
| <p><i>Includes:</i> 2 – 3/8 " wood plug 2 – 3/16 " x 2 3/4 " flat head masonry screws (11800869)</p> | <p style="text-align: right;">11884844</p> |
| HP/IZ3 Addition | |
| <p><i>Includes:</i> 6 – #8 x 3 " Phillips panhead screws – pearl white (11800829) 12 – 3/16 " x 2 3/4 " flathead masonry screws (11800869)</p> | <p style="text-align: right;">11896346</p> |

ILLUSTRATIONS – NOT TO SCALE



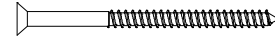
Screen Dust Block



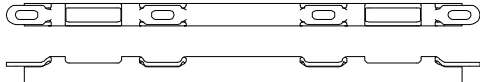
#8 x 5/8"
Phillips trusshead



#8 x 3" Phillips panhead



#8 x 2 1/2" Phillips flathead



Keeper (top view and side view)



#10 x 1 1/2" Phillips panhead



3/16" x 2 3/4" flathead masonry

Sliding French Door –Installation Packages

Primary Coastal XO/OX and OOX/XOO Kit

Includes:

- 18 – #8 x 3" Phillips panhead screws –pearl white (11800829)
- 5 – #8 x 3" Phillips panhead screws – stainless steel (11806157)
- 1–#10 x 1 1/2" Phillips panhead screws–stainless steel (11806163)
- 2 – Screen dust blocks (10500161)
- 1 – Keeper (10506789)
- 1 – General Door installation instruction(19915634)
- 1 – ELSFD installation instruction(19915633)
- 1 – Nailing fin corner gasket set

31505740

Primary Coastal OXO Kit

Includes:

- 12 – #8 x 3" Phillips panhead screws –pearl white (11800829)
- 2 – #8 x 3" Phillips panhead screws – stainless steel (11806157)
- 4–#10 x 1 1/2" Phillips panhead screws–stainless steel (11806163)
- 2 – Screen dust blocks (10500161)
- 1 – Keeper (10506789)
- 1 – General Door installation instruction(19915634)
- 1 – ELSFD installation instruction(19915633)
- 1 – Nailing fin corner gasket set

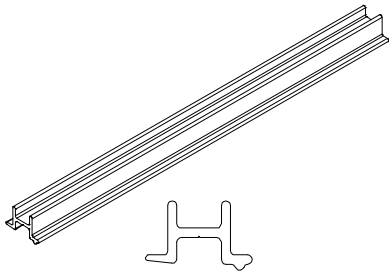
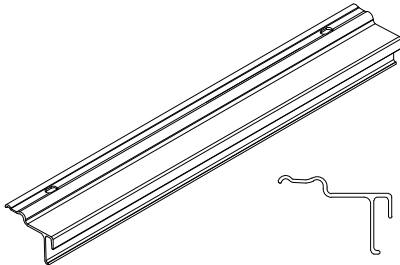
31505741

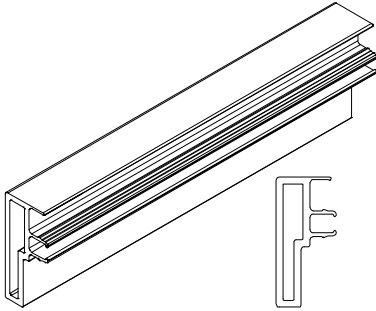
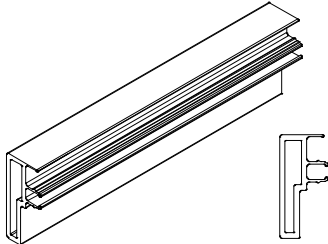
Primary Coastal OXXO Kit

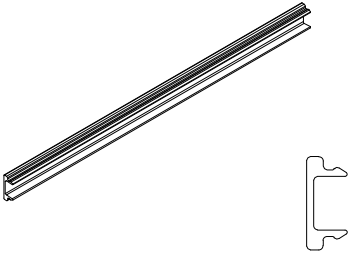
Includes:

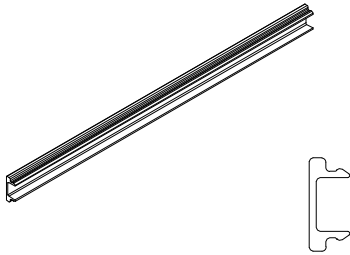
- 18 – #8 x 3" Phillips panhead screws –pearl white (11800829)
- 6 – #8 x 3" Panhead screws –stainless steel (11806157)
- 3 – 3/16" x 2 3/4" flathead masonry screws (11800869)
- 1 – Keeper (10506789)
- 5–#8x 2 1/2" Phillips flathead screws – pearl white (11807173)
- 16–#8x 5/8" Phillips trusshead screws–pearl white (11806158)
- 1 – General Door installation instruction(19915634)
- 1 – ELSFD installation instruction(19915633)
- 1 – Nailing fin corner gasket set

31505742

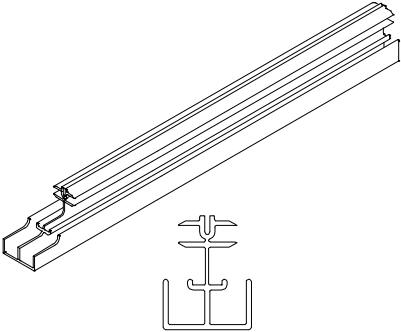
| ILLUSTRATION NOT TO SCALE | DESCRIPTION | LENGTH/ COLOR | PART NO. |
|--|--|--|--|
|  | <p>Leveling Block Insert A2880</p> <p><i>Includes:</i> 2-Leveling Block Inserts 1-#8x2 1/2" Phillips panhead screw 1-#8x1" Phillips panhead screw</p> <p>CN 5-0/7-6/10-0 width CN 6-0/9-0/12-0 (4 Panel) width CN 8-0/12-0/16-0 (3 Panel) width</p> | <p>12 3/4" (324) 15 3/4" (400) 21 3/4" (553)</p> | <p>10802014 10802017 10802023</p> |
|  | <p>Aluminum Panel Guide Fastener A1223</p> <p><i>Includes:</i> 5-11-#8x5/8" Pierce point Trusshead screws (11800862)</p> <p>CN 5-0 CN 6-0 CN 8-0 CN 7-6 OOX, XOO CN 9-0 OOX, XOO CN 12-0 OOX, XOO CN 12-0 OXO LH CN 12-0 OXO RH *CN 9-0 OXO LH *CN 9-0 OXO RH *CN 7-6 OXO LH *CN 7-6 OXO RH</p> <p>* 9-0 OXO includes the 6-0 part, 7-6 OXO includes the 5-0 part</p> | <p>WH</p> <p>56 1/4" (1429) 68 1/4" (1734) 92 1/4" (2343) 85 3/4" (2178) 103 3/4" (2635) 139 3/4" (3550) 45 1/2" (1156) 45 1/2" (1156) 33 1/2" (851) 33 1/2" (851) 27 1/2" (699) 27 1/2" (699)</p> | <p>11897115 11897116 11897117 10890179 11897118 11897120 10897121 10897122 11897119 10890190 10890180 10890181</p> |
| | <p>Aluminum Panel Guide Fastener - OXO A1223</p> <p><i>Includes:</i> 4-8-#8x5/8" Pierce point Trusshead screws (11800862)</p> <p>CN 10-0 RH CN 10-0 LH CN 12-0 RH CN 12-0 LH CN 16-0 RH CN 16-0 LH</p> | <p>WH</p> <p>51" (1295) 63" (1600) 87" (2210)</p> | <p>10880011 10880010 10880013 10880012 10880017 10880016</p> |

| ILLUSTRATION NOT TO SCALE | DESCRIPTION | LENGTH/ COLOR | PART NO. | |
|---|---|---|---|--|
|  | <p>HP/IZ3 Exterior Astragal A1703</p> <p><i>Available replacement screws:</i> 8 -#8x1 1/2" Panhead screws (11806159)</p> | <p>CN 6-5 height</p> <p>74 9/16" (1894) SW 74 9/16" (1894) PB 74 9/16" (1894) BZ 74 9/16" (1894) EG 74 9/16" (1894) CS 74 9/16" (1894) EB</p> <p>CN 6-8 height</p> <p>77 1/16" (1958) SW 77 1/16" (1958) PB 77 1/16" (1958) BZ 77 1/16" (1958) EG 77 1/16" (1958) CS 77 1/16" (1958) EB</p> <p>CN 7-0 height</p> <p>81 1/16" (2059) SW 81 1/16" (2059) PB 81 1/16" (2059) BZ 81 1/16" (2059) EG 81 1/16" (2059) CS 81 1/16" (2059) EB</p> <p>CN 8-0 height</p> <p>90 9/16" (2300) SW 90 9/16" (2300) PB 90 9/16" (2300) BZ 90 9/16" (2300) EG 90 9/16" (2300) CS 90 9/16" (2300) EB</p> | <p>19460180 19460280 19460380 19460480 19460580 19460880</p> <p>19461180 19461280 19461380 19461480 19461580 19461980</p> <p>19462180 19462280 19462380 19462480 19462580 19462980</p> <p>19463180 19463280 19463380 19463480 19463580 19463980</p> | |
| |  | <p>OXXO Exterior Astragal A1703</p> <p><i>Available replacement screws:</i> 8 -Interlock screw, #8x1 1/2" PH (11806159)</p> | <p>CN 8-0 height</p> <p>91 15/64" (2317) SW 91 15/64" (2317) PB 91 15/64" (2317) BZ 91 15/64" (2317) EG 91 15/64" (2317) CS 91 15/64" (2317) EB</p> | <p>19466180 19466280 19466380 19466480 19466580 19466980</p> |

| ILLUSTRATION NOT TO SCALE | DESCRIPTION | LENGTH/ COLOR | PART NO. |
|---|------------------------------|--|--|
|  | Stile Cover A1222* | | |
| | CN 6-5 Stationary | 76 1/4" (1937) SW 76 1/4" (1937) PB 76 1/4" (1937) BZ 76 1/4" (1937) EG 76 1/4" (1937) CS 76 1/4" (1937) EB | 18547065 18547165 18547265 18547365 18546965 18546872 |
| | CN 6-8 Stationary | 78 25/32" (2001) SW 78 25/32" (2001) PB 78 25/32" (2001) BZ 78 25/32" (2001) EG 78 25/32" (2001) CS 78 25/32" (2001) EB | 18547068 18547168 18547268 18547368 18546968 18546873 |
| | CN 7-0 Stationary | 82 25/32" (2103) SW 82 25/32" (2103) PB 82 25/32" (2103) BZ 82 25/32" (2103) EG 82 25/32" (2103) CS 82 25/32" (2103) EB | 18547070 18547170 18547270 18547370 18546970 18546874 |
| | CN 8-0 Stationary | 92 1/4" (2344) SW 92 1/4" (2344) PB 92 1/4" (2344) BZ 92 1/4" (2344) EG 92 1/4" (2344) CS 92 1/4" (2344) EB | 18547080 18547180 18547283 18547383 18546983 18546875 |

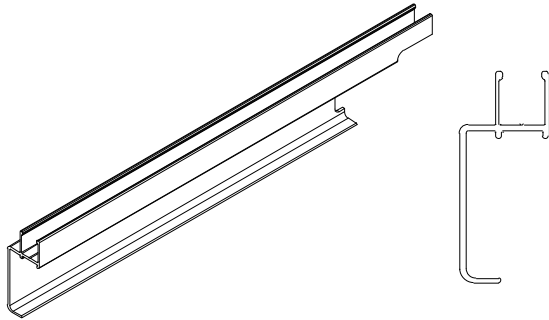
| ILLUSTRATION NOT TO SCALE | DESCRIPTION | LENGTH/ COLOR | PART NO. |
|---|-------------------------------------|--|--|
|  | Stile Cover A1222* | | |
| | CN 6-5 Locking Upper | 30 5/8" (778) SW 30 5/8" (778) PB 30 5/8" (778) BZ 30 5/8" (778) EG 30 5/8" (778) CS 30 5/8" (778) EB | 18557066 18557166 18557266 18557366 18557966 18547872 |
| | All Sizes Locking Lower/CN6-8 Upper | 33 1/8" (842) SW 33 1/8" (842) PB 33 1/8" (842) BZ 33 1/8" (842) EG 33 1/8" (842) CS 33 1/8" (842) EB | 18547069 18547169 18547269 18547369 18546969 18547873 |
| | CN 7-0 Locking Upper | 37 1/8" (943) SW 37 1/8" (943) PB 37 1/8" (943) BZ 37 1/8" (943) EG 37 1/8" (943) CS 37 1/8" (943) EB | 18547071 18547171 18547271 18547371 18546971 18547874 |
| | CN 8-0 Locking Upper | 46 5/8" (1185) SW 46 5/8" (1185) PB 46 5/8" (1185) BZ 46 5/8" (1185) EG 46 5/8" (1185) CS 46 5/8" (1185) EB | 18547081 18547181 18547281 18547381 18546981 18547875 |
| | Lineal | 146" (3708) SW 146" (3708) PB 146" (3708) BZ 146" (3708) EG 146" (3708) CS 146" (3708) EB | 18547099 18547199 18547299 18547399 18546999 18547877 |

* Please contact your Marvin representative to ETO (Engineer to Order) replacement components for all HP (High Performance) and IZ3 products DO NOT order by part number.

| ILLUSTRATION NOT TO SCALE | DESCRIPTION | LENGTH/ COLOR | PART NO. |
|---|---|--|--|
|  | Spline, Stationary Panel A2967* | | |
| | CN 6-5 height | 76 5/16" (1938) SW 76 5/16" (1938) PB 76 5/16" (1938) BZ 76 5/16" (1938) EG 76 5/16" (1938) CS 76 5/16" (1938) EB | 18553365 18554465 18555565 18556665 18557765 18559965 |
| | CN 6-8 height | 78 13/16" (2002) SW 78 13/16" (2002) PB 78 13/16" (2002) BZ 78 13/16" (2002) EG 78 13/16" (2002) CS 78 13/16" (2002) EB | 18553368 18554468 18555568 18556668 18557765 18559968 |
| | CN 7-0 height | 82 13/16" (2103) SW 82 13/16" (2103) PB 82 13/16" (2103) BZ 82 13/16" (2103) EG 82 13/16" (2103) CS 82 13/16" (2103) EB | 18553370 18554470 18555570 18556670 18557770 18559970 |
| | CN 8-0 height | 92 5/16" (2345) SW 92 5/16" (2345) PB 92 5/16" (2345) BZ 92 5/16" (2345) EG 92 5/16" (2345) CS 92 5/16" (2345) EB | 18553380 18554480 18555580 18556680 18557780 18559980 |

* Please contact your Marvin representative to ETO (Engineer to Order) replacement components for all HP (High Performance) and IZ3 products DO NOT order by part number.

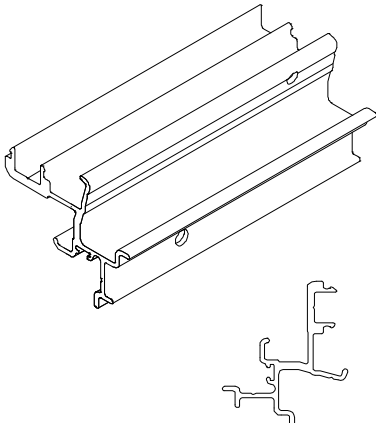
ILLUSTRATION AND DESCRIPTION
NOT TO SCALE

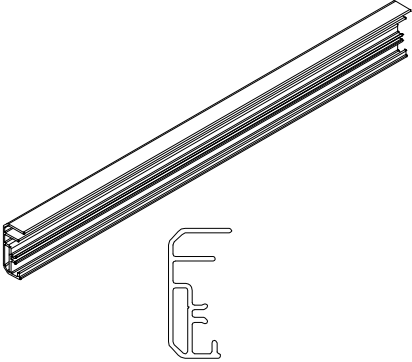


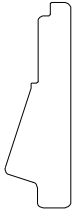

Screen Stop Base - OXO
A3218

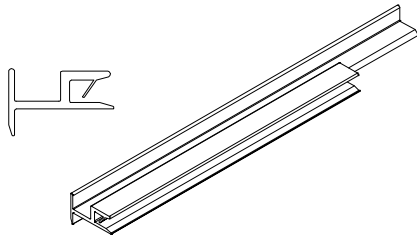
| Size | Color | RH Part Number | LH Part Number | Size | Color | RH Part Number | LH Part Number |
|----------------------------|-------|----------------|----------------|----------------------------|-------|----------------|----------------|
| CN 6-5 71 3/32" (1806) | SW | 18550165 | 18550166 | CN 7-0 83 19/32" (2123) | SW | 18550170 | 18550171 |
| | PB | 18550065 | 18550066 | | PB | 18550070 | 18550071 |
| | BZ | 18550265 | 18550266 | | BZ | 18550270 | 18550271 |
| | EG | 18550365 | 18550366 | | EG | 18550370 | 18550371 |
| | CS | 18550465 | 18550466 | | CS | 18550470 | 18550471 |
| | EB | 18550565 | 18550566 | | EB | 18550570 | 18550571 |
| Cn 6-8 79 19/32" (2022) | SW | 18550168 | 18550169 | CN 8-0 93 3/32" (2365) | SW | 18550180 | 18550181 |
| | PB | 18550068 | 18550069 | | PB | 18550080 | 18550081 |
| | BZ | 18550268 | 18550269 | | BZ | 18550280 | 18550281 |
| | EG | 18550368 | 18550369 | | EG | 18550380 | 18550381 |
| | CS | 18550468 | 18550469 | | CS | 18550480 | 18550481 |
| | EB | 18550568 | 18550569 | | EB | 18550580 | 18550581 |

NOTE: Please contact your Marvin representative to ETO (Engineer to Order) replacement components for all HP (High Performance) and IZ3 products DO NOT order by part number.

| ILLUSTRATION NOT TO SCALE | DESCRIPTION | LENGTH/ COLOR | PART NO. |
|--|--|--|--|
|  | <p>OXXO Astragal Base A3129</p> <p><i>Available replacement screws:</i> 9, 10, or 11 – #7x3/4" Type A-17Pan Head screws 11806164</p> <p><i>NOTE: Units prior to April 2015 also need to order shoot bolt guide insert (10500467).</i></p> | | |
| | CN 6-5 height | 74 31/32" (1904) SW – RH 74 31/32" (1904) SW – LH 74 31/32" (1904) PB – RH 74 31/32" (1904) PB – LH 74 31/32" (1904) BZ – RH 74 31/32" (1904) BZ – LH 74 31/32" (1904) EG – RH 74 31/32" (1904) EG – LH 74 31/32" (1904) CS – RH 74 31/32" (1904) CS – LH 74 31/32" (1904) EB – RH 74 31/32" (1904) EB – LH | 18540065 18540066 18541065 18541066 18542065 18542066 18543065 18543066 18544065 18544066 18540965 18540966 |
| | CN 6-8 height | 77 15/32" (1968) SW – RH 77 15/32" (1968) SW – LH 77 15/32" (1968) PB – RH 77 15/32" (1968) PB – LH 77 15/32" (1968) BZ – RH 77 15/32" (1968) BZ – LH 77 15/32" (1968) EG – RH 77 15/32" (1968) EG – LH 77 15/32" (1968) CS – RH 77 15/32" (1968) CS – LH 77 15/32" (1968) EB – RH 77 15/32" (1968) EB – LH | 18540068 18540069 18541068 18540069 18542068 18542069 18543068 18543069 18544068 18544069 18540968 18540969 |
| | CN 7-0 height | 81 15/32" (2069) SW – RH 81 15/32" (2069) SW – LH 81 15/32" (2069) PB – RH 81 15/32" (2069) PB – LH 81 15/32" (2069) BZ – RH 81 15/32" (2069) BZ – LH 81 15/32" (2069) EG – RH 81 15/32" (2069) EG – LH 81 15/32" (2069) CS – RH 81 15/32" (2069) CS – LH 81 15/32" (2069) EB – RH 81 15/32" (2069) EB – LH | 18540070 18540071 18541070 18541071 18542070 18542071 18543070 18543071 18544070 18544071 18540970 18540971 |
| | CN 8-0 height | 90 31/32" (2311) SW – RH 90 31/32" (2311) SW – LH 90 31/32" (2311) PB – RH 90 31/32" (2311) PB – LH 90 31/32" (2311) BZ – RH 90 31/32" (2311) BZ – LH 90 31/32" (2311) EG – RH 90 31/32" (2311) EG – LH 90 31/32" (2311) CS – RH 90 31/32" (2311) CS – LH 90 31/32" (2311) EB – RH 90 31/32" (2311) EB – LH | 18540080 18540081 18541080 18541081 18542080 18542081 18543080 18543081 18544080 18544081 18540980 18540981 |

| ILLUSTRATION NOT TO SCALE | DESCRIPTION | LENGTH/ COLOR | PART NO. |
|--|-----------------------------------|--|--|
|  | OXXO Astragal Cap A2569 | | |
| | CN 6-5 height | 75 3/16" (1910) SW 75 3/16" (1910) PB 75 3/16" (1910) BZ 75 3/16" (1910) EG 75 3/16" (1910) CS 75 3/16" (1910) EB | 11870165 11870265 11870365 11870765 11870565 11870865 |
| | CN 6-8 height | 77 11/16" (1973) SW 77 11/16" (1973) PB 77 11/16" (1973) BZ 77 11/16" (1973) EG 77 11/16" (1973) CS 77 11/16" (1973) EB | 11870168 11870268 11870368 11870768 11870568 11870868 |
| | CN 7-0 height | 81 11/16" (2075) SW 81 11/16" (2075) PB 81 11/16" (2075) BZ 81 11/16" (2075) EG 81 11/16" (2075) CS 81 11/16" (2075) EB | 11870170 11870270 11870370 11870770 11870570 11870870 |
| | CN 8-0 height | 91 3/16" (2316) SW 91 3/16" (2316) PB 91 3/16" (2316) BZ 91 3/16" (2316) EG 91 3/16" (2316) CS 91 3/16" (2316) EB | 11870180 11870280 11870380 11870780 11870580 11870880 |

| ILLUSTRATION <i>NOT TO SCALE</i> | DESCRIPTION | LENGTH | Beige PART NO. | Black PART NO. |
|--|--|-----------------|-------------------|-------------------|
|  | Sill Liner V2693 <i>Includes:</i> 1-Foam sealant tape | | | |
| | CN 5-0 width | 59" (1499) | 10860350 | 10860450 |
| | CN 6-0 width | 71" (1803) | 10860360 | 10860460 |
| | CN 7-6 width | 88 1/2" (2248) | 10860376 | 10860476 |
| | CN 8-0 width | 95" (2413) | 10860380 | 10860480 |
| | CN 9-0 width | 106 1/2" (2705) | 10860390 | 10860490 |
| | CN 10-0 width | 117 1/2" (2985) | 10860310 | 10860410 |
| | CN 12-0 (4 Panel) width | 141 1/2" (3594) | 10860312 | 10860412 |
| | CN 12-0 (3 Panel) width | 143" (3632) | 10860321 | 10860421 |
| | CN 16-0 width | 189 1/2" (4813) | 10860316 | 10860416 |
|  | HP/IZ3 Sill Liner V2953 <i>Includes:</i> 1-Foam sealant tape | | | |
| | CN 5-0 width OX/XO | 59" (1499) | 10861159 | 10861059 |
| | CN 6-0 width OX/XO | 71" (1803) | 10861171 | 10861071 |
| | CN 7-6 width OOX/XOO/OXO | 88 1/2" (2248) | 10861188 | 10861088 |
| | CN 8-0 width OX/XO | 95" (2413) | 10861195 | 10861095 |
| | CN 9-0 width OOX/XOO/OXO | 106 1/2" (2705) | 10861006 | 10861106 |



A: Operator Panel Interlock
V1620*

Usage: 4/25/2016 – present

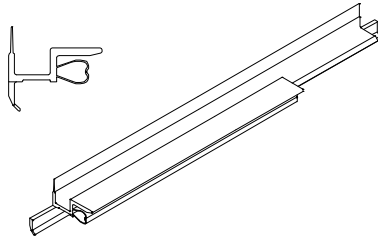
Recommended fasteners:

Quantity of 8 needed per interlock

#8x1" Type A, Phillips pan head, full thread screws

Beige (11806155), Black (11809255), White (11808055)

| Size | | | OX Beige | XO Beige | OX Black | XO Black | OX – WH | XO – WH |
|----------|----------------|------|----------|----------|----------|----------|----------|----------|
| A | 75 1/4" (1911) | CN65 | 15906065 | 15906066 | 15909965 | 15909966 | 15908865 | 15908866 |
| | 77 3/4" (1975) | CN68 | 15906069 | 15906068 | 15909969 | 15909968 | 15908869 | 15908868 |
| | 81 3/4" (2076) | CN70 | 15906070 | 15906070 | 15909970 | 15909970 | 15908871 | 15908870 |
| | 91 1/4" (2318) | CN80 | 15906081 | 15906080 | 15909981 | 15909980 | 15908881 | 15908880 |



B: Stationary Panel Interlock
V1855/V2624

Usage: 4/25/2016 – present

Recommended fasteners:

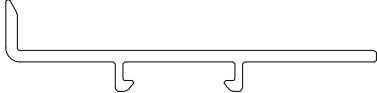
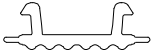
Quantity of 8 needed per interlock

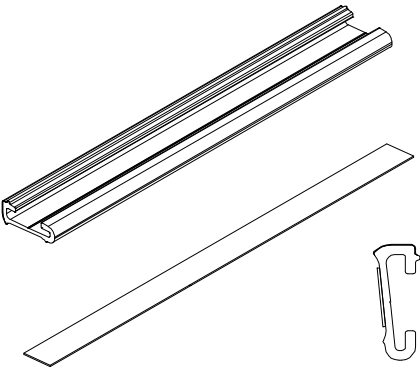
#8x1" Type A, Phillips pan head, full thread screws

Beige (11806155), Black (11809255), White (11808055)

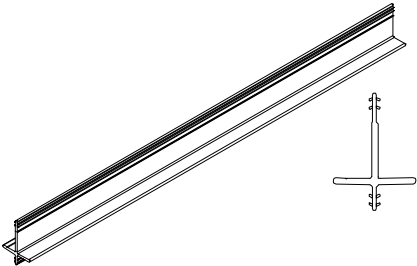
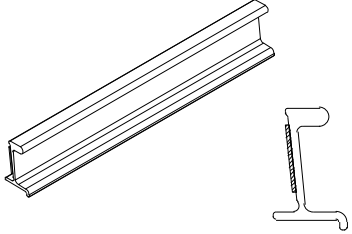
| Size | | | OX Beige | XO Beige | OX Black | XO Black | OX – WH | XO – WH |
|----------|----------------|------|----------|----------|----------|----------|----------|----------|
| B | 75 1/4" (1911) | CN65 | 15908065 | 15908066 | 15908965 | 15908966 | 15919965 | 15919966 |
| | 77 3/4" (1975) | CN68 | 15908068 | 15908069 | 15908968 | 15908969 | 15919968 | 15919969 |
| | 81 3/4" (2076) | CN70 | 15908070 | 15908071 | 15908970 | 15908971 | 15919970 | 15919971 |
| | 91 1/4" (2318) | CN80 | 15908080 | 15908081 | 15908980 | 15908981 | 15919980 | 15919981 |

* Please contact your Marvin representative to ETO (Engineer to Order) replacement components for special sized products, all HP (High Performance), and IZ3 products DO NOT order by part number.

| ILLUSTRATION <i>NOT TO SCALE</i> | DESCRIPTION | LENGTH | PART NO. | |
|---|-------------------------------------|--|--------------------------|--------------------------|
|  | Interior Jamb Cover V2939 | CN65 76 1/2" (1943) CN68 79" (2007) CN70 83" (2108) CN80 92 1/2" (2350) | Black 15900365 | White 15900465 |
| | CN65 | | | |
| | CN68 | | 15900368 | 15900468 |
| | CN70 | | 15900370 | 15900470 |
| | CN80 | | 15900380 | 15900480 |
|  | Jamb Cover Base V2937 | 1 1/4" (32) 5" (127) | 15600074 15600075 | |

| ILLUSTRATION NOT TO SCALE | DESCRIPTION | LENGTH/ COLOR | PART NO. |
|--|---|------------------|----------|
|  | <p>Stationary Panel Leveling Block OXO V2344/V2641 <i>NOTE: For units ordered prior to 4/25/16, order new leveling block inserts (A2880) along with replacement leveling block.</i> <i>Includes:</i> 1-Foam Sealant Tape 5-7-#8x5/8" Phillips panhead screws</p> | | |
| | <p style="text-align: center;">Beige</p> | | |
| | <p style="text-align: center;">CN 7-6 OOX/XOO width</p> | 60 15/16" (1548) | 10802176 |
| | <p style="text-align: center;">CN 9-0 OOX/XOO width</p> | 72 15/16" (1853) | 10802190 |
| | <p style="text-align: center;">CN 5-0/7-6 OXO/10-0 width</p> | 31 1/4" (794) | 10899010 |
| | <p style="text-align: center;">CN 6-0/9-0 OXO/12-0 (4 Panel) width</p> | 37 1/4" (946) | 10899012 |
| | <p style="text-align: center;">CN 12-0 OOX/XOO (3 Panel) width</p> | 96 15/16" (2462) | 10802112 |
| | <p style="text-align: center;">CN 8-0/12-0 (3 Panel)/16-0 width</p> | 49 1/4" (1251) | 10899016 |
| | <p style="text-align: center;">Black</p> | | |
| | <p style="text-align: center;">CN 7-6 OOX/XOO width</p> | 60 15/16" (1548) | 10802976 |
| | <p style="text-align: center;">CN 9-0 OOX/XOO width</p> | 72 15/16" (1853) | 10802990 |
| | <p style="text-align: center;">CN 5-0/7-6 OXO/10-0 width</p> | 31 1/4" (794) | 10802910 |
| | <p style="text-align: center;">CN 6-0/9-0 OXO/12-0 (4 Panel) width</p> | 37 1/4" (946) | 10802912 |
| | <p style="text-align: center;">CN 12-0 OOX/XOO (3 Panel) width</p> | 96 15/16" (2462) | 10802913 |
| <p style="text-align: center;">CN 8-0/12-0(3 Panel)/16-0 width</p> | 49 1/4" (1251) | 10802916 | |

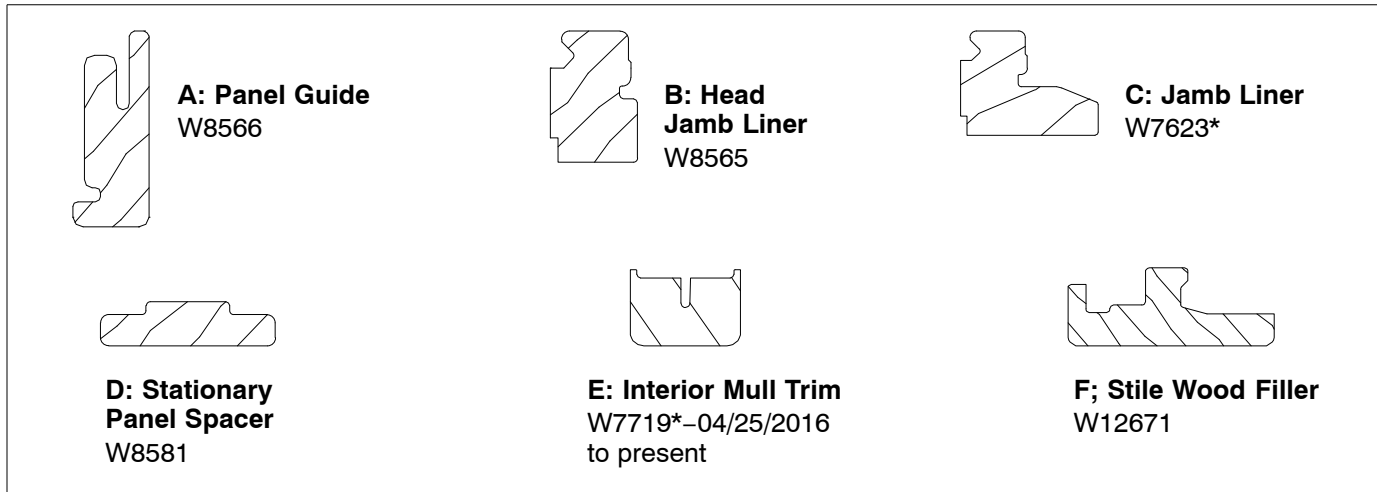
* Please contact your Marvin representative to ETO (Engineer to Order) replacement components for special sized products, all HP (High Performance), and IZ3 products DO NOT order by part number.

| ILLUSTRATION NOT TO SCALE | DESCRIPTION | LENGTH/ COLOR | PART NO. |
|---|--|---|--|
|  | <p>Spline Insert V2638*</p> <p>CN 6-5 height CN 6-8 height CN 7-0 height CN 8-0 height</p> | <p>Beige</p> <p>75 5/8" (1921) 78 1/8" (1984) 82 1/8" (2086) 91 5/8" (2327)</p> | <p>15911265 15911268 15911270 15911280</p> |
|  | <p>Sill Roller Track - Field Service Only V2341</p> <p><i>For Field Service Only - Approval by Customer Support required to order - Must be installed by a Service Technician - Contact your Customer Service Representative.</i></p> | <p>Beige Black</p> | |

* Please contact your Marvin representative to ETO (Engineer to Order) replacement components for all HP (High Performance) and IZ3 products DO NOT order by part number.

When ordering replacement wood parts:

- * Please contact your Marvin representative to ETO (Engineer to Order) replacement components for all special sizes
- * Please contact your Marvin representative to ETO (Engineer to Order) replacement components for all HP (High Performance) and IZ3 products DO NOT order by part number.



| | Size | | Bare Wood | White | Designer Black | Clear |
|----------|-------------------|-------------------------|-----------|----------|----------------|----------|
| A | 56 5/16" (1430) | CN 5-0 width | 31518750 | 39228750 | 39229750 | 31618750 |
| | 68 5/16" (1735) | CN 6-0 width | 31518755 | 39228755 | 39229755 | 31618755 |
| | 85 13/16" (2180) | CN 7-6 width | 31518776 | 39228776 | 39229776 | 31618776 |
| | 92 5/16" (2345) | CN 8-0 width | 31518780 | 39228780 | 39229779 | 31618780 |
| | 103 13/16" (2637) | CN 9-0 width | 31518792 | 39228792 | 39229792 | 31618790 |
| | 114 5/16" (2904) | CN 10-0 width | 31518710 | 39228710 | 39229710 | 31618710 |
| | 138 5/16" (3513) | CN 12-0 (4 Panel) width | 31518712 | 39228712 | 39229712 | 31618712 |
| | 139 13/16" (3551) | CN 12-0 (3 Panel) width | 31518713 | 39228713 | NA | NA |
| | 186 5/16" (4732) | CN 16-0 width | 31518716 | 39228716 | 39229716 | 31618716 |
| B | 58 7/8" (1495) | CN 5-0 width | 31518650 | 39228650 | 39229050 | 31618650 |
| | 70 7/8" (1800) | CN 6-0 width | 31518655 | 39228655 | 39229055 | 31618655 |
| | 88 3/8" (2245) | CN 7-6 width | 31518676 | 39228676 | 39229076 | 31618676 |
| | 94 7/8" (2410) | CN 8-0 width | 31518680 | 39228680 | 39229081 | 31618681 |
| | 106 3/8" (2702) | CN 9-0 width | 31518695 | 39228695 | 39229095 | 31618690 |
| | 116 7/8" (2969) | CN 10-0 width | 31518610 | 39228610 | 39229010 | 31618610 |
| | 140 7/8" (3578) | CN 12-0 (4 Panel) width | 31518612 | 39228612 | 39229012 | 31618612 |
| | 142 3/8" (3616) | CN 12-0 (3 Panel) width | 31518613 | 39228613 | 39229013 | 31618613 |
| | 188 7/8" (4797) | CN 16-0 width | 31518616 | 39228616 | 39229016 | 31618616 |
| C | 76 11/16" (1948) | CN 6-5 height | 31503165 | 39203165 | 39209565 | 31613165 |
| | 79 3/16" (2011) | CN 6-8 height | 31503168 | 39203168 | 39209568 | 31613168 |
| | 83 3/16" (2113) | CN 7-0 height | 31503170 | 39203170 | 39209570 | 31613170 |
| | 92 11/16" (2354) | CN 8-0 height | 31503180 | 39203180 | 39209580 | 31613180 |
| D | 12" (305) | | 31518812 | | | |
| E | 75 11/16" (1922) | CN 6-5 height | 31518865 | 39228865 | 39229365 | 31610365 |
| | 78 3/16" (1986) | CN 6-8 height | 31518868 | 39228868 | 39229368 | 31610368 |
| | 82 3/16" (2088) | CN 7-0 height | 31518870 | 39228870 | 39229370 | 31610370 |
| | 91 11/16" (2329) | CN 8-0 height | 31518880 | 39228880 | 39229381 | 31610380 |
| F | 74 13/16" (1937) | CN 6-5 height | 31508465 | 39208465 | 39219265 | 31608465 |
| | 77 5/16" (2001) | CN 6-8 height | 31508468 | 39208468 | 39219268 | 31608468 |
| | 81 5/16" (2103) | CN 7-0 height | 31508470 | 39208470 | 39219270 | 31608470 |
| | 90 13/16" (2344) | CN 8-0 height | 31508480 | 39208480 | 39219280 | 31608480 |

- * Please contact your Marvin representative to ETO (Engineer to Order) replacement components for all special sizes
- * Please contact your Marvin representative to ETO (Engineer to Order) replacement components for all HP (High Performance) and IZ3 products DO NOT order by part number.

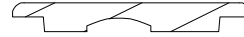


A: Astragal Trim – OXO
W7718*-04//25/2016 to present

*Uses connecting barb (V803)
not included.*

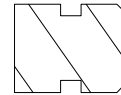
B: Astragal Trim – OXXO
W7718*

*Uses connecting barb (V803)
not included.*



C: HP/IZ3 Interior Astragal Cap
W10324

D: Interior Astragal Cap – OXXO
W10324

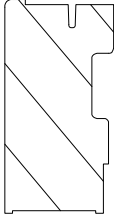


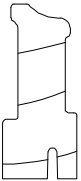
E: Astragal Parting Stop – OXO
W7716*

*NOTE: Units prior to 4/25/2016 do not
use white interior parts.*

| Size | | | Bare Wood | White | Designer Black | Clear |
|----------|------------------|---------------|-----------|----------|----------------|----------|
| A | 75 7/16" (1911) | CN 6-5 height | 31515965 | 39225965 | 39219065 | 31610465 |
| | 77 15/16" (1975) | CN 6-8 height | 31515968 | 39225968 | 39219068 | 31610468 |
| | 81 15/16" (2076) | CN 7-0 height | 31515970 | 39225970 | 39219070 | 31610470 |
| | 91 7/16" (2318) | CN 8-0 height | 31515980 | 39225980 | 39219080 | 31610480 |
| B | 75" (1905) | CN 6-5 height | 31514565 | 39224565 | 39219165 | 31610565 |
| | 77 1/2" (1969) | CN 6-8 height | 31514568 | 39224568 | 39219168 | 31610568 |
| | 81 1/2" (2070) | CN 7-0 height | 31514570 | 39224570 | 39219170 | 31610570 |
| | 91" (2311) | CN 8-0 height | 31514580 | 39224580 | 39219180 | 31610580 |
| C | 75" (1905) | CN 6-5 height | 31516865 | 39226865 | 39219865 | 31616865 |
| | 77 1/2" (1969) | CN 6-8 height | 31516868 | 39226868 | 39219868 | 31616868 |
| | 81 1/2" (2070) | CN 7-0 height | 31516870 | 39226870 | 39219870 | 31616870 |
| | 91" (2311) | CN 8-0 height | 31516880 | 39226880 | 39219880 | 31616880 |
| D | 90 13/16" (2307) | CN 8-0 height | 31515880 | 39225880 | 39219780 | 31615880 |
| E | 75 19/32" (1920) | CN 6-5 height | 31517865 | 39227865 | 39209665 | 31610665 |
| | 78 3/32" (1984) | CN 6-8 height | 31517868 | 39227868 | 39209668 | 31610668 |
| | 82 3/32" (2085) | CN 7-0 height | 31517870 | 39227870 | 39209670 | 31610670 |
| | 91 19/32" (2326) | CN 8-0 height | 31517880 | 39227880 | 39209680 | 31610680 |

- * Please contact your Marvin representative to ETO (Engineer to Order) replacement components for all special sizes
- * Please contact your Marvin representative to ETO (Engineer to Order) replacement components for all HP (High Performance) and IZ3 products DO NOT order by part number.

| | |  | A: Locking Astragal – OXO W7717 | | | | |
|------------------|------------------|---|--|----------|----------------|----------|----|
| | | | <i>Includes:</i> 1 – Astragal Parting Stop <i>Uses:</i> 1 – Pair Astragal Seal Gaskets 10 – #8x3 1/2" Phillips FH Screws | | | | |
| Size | | | Bare Wood | White | Designer Black | Clear | |
| | | | LH | LH | LH | LH | |
| A | 75 19/32" (1920) | CN 6–5 height | 31527877 | 39237877 | 39239877 | 31600866 | |
| | 78 3/32" (1984) | CN 6–8 height | 31527879 | 39237879 | 39239879 | 31600869 | |
| | 82 3/32" (2085) | CN 7–0 height | 31527871 | 39237871 | 39239871 | 31600871 | |
| | 91 19/32" (2326) | CN 8–0 height | 31527881 | 39237881 | 39239881 | 31600881 | |
| | | | | RH | RH | RH | RH |
| | 75 19/32" (1920) | CN 6–5 height | 31527876 | 39237876 | 39239876 | 31600865 | |
| | 78 3/32" (1984) | CN 6–8 height | 31527878 | 39237878 | 39239878 | 31600868 | |
| | 82 3/32" (2085) | CN 7–0 height | 31527870 | 39237870 | 39239870 | 31600870 | |
| 91 19/32" (2326) | CN 8–0 height | 31527880 | 39237880 | 39239880 | 31600880 | | |

| | |  | Interior Astragal W12167 | | | | |
|---------------|------------------|---|--|-----------|----------------|-----------|-----------|
| | | | B: OXXO Middle End Fabrication D: OXXO Middle Handed C: OXXO Top/Bottom End Fabrication | | | | |
| Size | | | Bare Wood | White | Designer Black | Clear | |
| | | | Middle End Fabrication | | | | |
| B | 75 19/32" (1920) | CN 6–5 height | 31500027 | 39200028 | 39209428 | 31609428 | |
| | 78 3/32" (1984) | CN 6–8 height | 31500029 | 39200030 | 39209430 | 31609430 | |
| | 82 3/32" (2085) | CN 7–0 height | 31500031 | 39200032 | 39209432 | 31609432 | |
| | 91 19/32" (2326) | CN 8–0 height | 31500037 | 39200038 | 39209438 | 31609438 | |
| | | | Middle LH | Middle LH | Middle LH | Middle LH | |
| C | 18 1/2" (470) | CN 6–5 height | 31520039 | 39220039 | 39209139 | 31609139 | |
| | 21" (533) | CN 6–8 height | 31520033 | 39220033 | 39209133 | 31609133 | |
| | 25" (635) | CN 7–0 height | 31520026 | 39220026 | 39209127 | 31609127 | |
| | 34 1/2" (876) | CN 8–0 height | 31520035 | 39220035 | 39209135 | 31609135 | |
| | | | | Middle RH | Middle RH | Middle RH | Middle RH |
| | 18 1/2" (470) | CN 6–5 height | 31520038 | 39220038 | 39209138 | 31609138 | |
| | 21" (533) | CN 6–8 height | 31520031 | 39220031 | 39209131 | 31609131 | |
| | 25" (635) | CN 7–0 height | 31520025 | 39220025 | 39209125 | 31609125 | |
| 34 1/2" (876) | CN 8–0 height | 31520034 | 39220034 | 39209134 | 31609334 | | |
| | | | Top/Bottom | | | | |
| D | 22 9/32" (566) | All | 31520032 | 39220032 | 39209132 | 31609132 | |

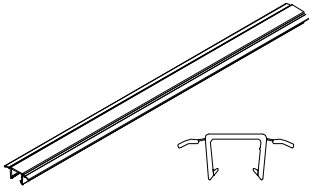
- * Please contact your Marvin representative to ETO (Engineer to Order) replacement components for all special sizes
- * Please contact your Marvin representative to ETO (Engineer to Order) replacement components for all HP (High Performance) and IZ3 products DO NOT order by part number.

| | | | |
|---|--|--|---|
|  | <p>A: HP/IZ3 Interior Astragal W10197</p> <p>B: HP/IZ3 Interior Astragal – OXXO W10197</p> <p><i>Recommended fasteners:</i> 12 – #8x2 1/2" Phillips Trusshead Screws</p> |  | <p>C: HP Locking Astragal – OXO W12699</p> <p><i>Uses (not included):</i> 1 – Pair Astragal Seal Gaskets 10 – #8x3 1/2" Phillips FH Screws</p> |
|---|--|--|---|

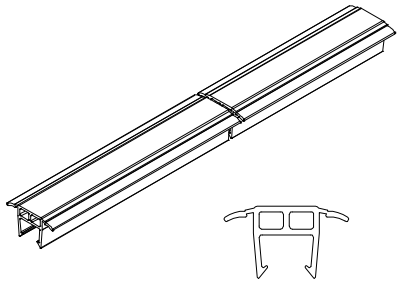
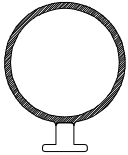
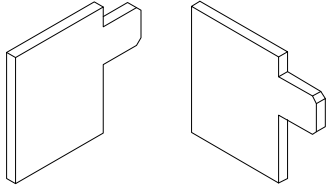
| Size | | | Bare Wood | White | Designer Black | Clear |
|------|------------------|---------------|-----------|-----------|----------------|-----------|
| A | 75 19/32" (1920) | CN 6–5 height | 31526875 | 39236875 | 39239775 | 31626875 |
| | 78 3/32" (1984) | CN 6–8 height | 31526878 | 39236878 | 39239778 | 31626878 |
| | 82 3/32" (2085) | CN 7–0 height | 31526870 | 39236870 | 39239770 | 31626870 |
| | 91 19/32" (2326) | CN 8–0 height | 31526880 | 39236880 | 39239780 | 31626880 |
| B | 90 13/16" (2307) | | 31525880 | 39235880 | 39239680 | 31625880 |
| C | | | LH | LH | LH | LH |
| | 75 19/32" (1920) | CN 8–0 height | 31511781 | 39221781 | 39931782 | 33831782 |
| | | | RH | RH | RH | RH |
| | 75 19/32" (1920) | CN 8–0 height | 31511780 | 39221780 | 39931780 | 33831780 |


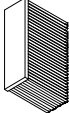
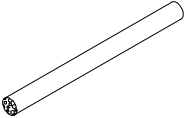
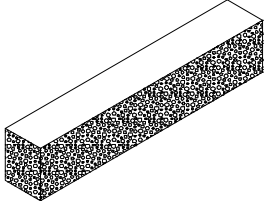

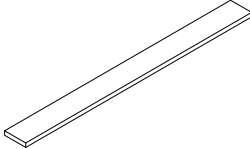
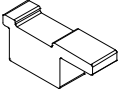
When ordering replacement weather strip specify:

1. Quantity;
2. Profile number;
3. Part number;
4. Size;
5. Description.

| ILLUSTRATION <i>NOT TO SCALE</i> | DESCRIPTION | LENGTH | PART NO. | | |
|--|--|----------|----------|----------|----|
| | | | Beige | Black | WH |
|  | Jamb Parting Stop Weather Strip /V2629* | | | | |
| | CN 6-5 height 76 3/16" (1935) | 15977165 | 15979165 | 15988165 | |
| | CN 6-8 height 78 11/16" (1999) | 15977168 | 15979168 | 15988168 | |
| | CN 7-0 height 82 11/16" (2100) | 15977170 | 15979170 | 15988170 | |
| | CN 8-0 height 92 3/16" (2342) | 15977180 | 15979180 | 15988180 | |
| | Head Jamb Parting Stop Weather Strip V2396* | | | | |
| | CN 5-0 width 56 7/8" (1470) | 15981150 | 15981850 | 15981750 | |
| | CN 6-0 width 68 7/8" (1750) | 15981160 | 15981860 | 15981760 | |
| | CN 7-6 width 86 3/8" (2194) | 15981176 | 15981876 | 15981776 | |
| | CN 8-0 width 92 7/8" (2359) | 15981180 | 15981880 | 15981780 | |
| | CN 9-0 width 104 3/8" (2651) | 15980190 | 15981890 | 15981790 | |
| | CN 10-0 width 114 7/8" (2918) | 15978010 | 15955010 | 15977010 | |
| | CN 12-0 (4 Panel) width 138 7/8" (3527) | 15978012 | 15955012 | 15977012 | |
| | CN 12-0 (3 Panel) width 139 5/8" (3546) | 15978013 | 15955013 | 15977013 | |
| | CN 16-0 width 186 7/8" (4747) | 15978016 | 15955016 | 15977016 | |
| | OXO Astragal Parting Stop Weather Strip V2396* | | | | |
| | CN 6-5 height 75 3/4" (1924) | 15990165 | 15990965 | 15990865 | |
| | CN 6-8 height 78 1/4" (1988) | 15990168 | 15990968 | 15990768 | |
| | CN 7-0 height 82 1/4" (2089) | 15990170 | 15990970 | 15990770 | |
| | CN 8-0 height 91 3/4" (2330) | 15990180 | 15990980 | 15990780 | |

* Please contact your Marvin representative to ETO (Engineer to Order) replacement components for all HP (High Performance) and IZ3 products DO NOT order by part number.

| ILLUSTRATION NOT TO SCALE | DESCRIPTION | LENGTH/ COLOR | PART NO. |
|---|--|---|---|
|  | <p>Sill Weather Strip V2529/V2620</p> <p>CN 5-0 width CN 6-0 width CN 7-6 width CN 8-0 width CN 9-0 width CN 10-0 width CN 12-0 (4 Panel) width CN 12-0 (3 Panel) width CN 16-0 width</p> <p>CN 5-0 width CN 6-0 width CN 7-6 width CN 8-0 width CN 9-0 width CN 10-0 width CN 12-0 (4 Panel) width CN 12-0 (3 Panel) width CN 16-0 width</p> | <p>Beige</p> <p>56 1/8" (1451) 68 1/8" (1730) 85 1/8" (2162) 92 1/8" (2340) 103 5/8" (2632) 114 5/32" (2900) 138 5/32" (3509) 139 5/8" (3546) 186 5/32" (4728)</p> <p>Black</p> <p>56 1/8" (1451) 68 1/8" (1730) 85 1/8" (2162) 92 1/8" (2340) 103 5/8" (2632) 114 5/32" (2900) 138 5/32" (3509) 139 5/8" (3546) 186 5/32" (4728)</p> | <p>15930050 15930060 15930076 15930080 15930090 15930010 15930022 15930013 15930026</p> <p>15930950 15930960 15930976 15930980 15930990 15930910 15930922 15930913 15930926</p> |
|  | <p>OXXO Astragal Weather Strip V2398</p> <p>Lineal Foot CN 6-5 height CN 6-8 height CN 7-0 height CN 8-0 height</p> | <p>Beige</p> <p>75 3/8" (1915) 77 7/8" (1978) 81 7/8" (2080) 91 3/8" (2321)</p> | <p>15900187 15900165 15900168 15900170 15900180</p> |
|  | <p>Astragal Seal Gasket - 1 Pair</p> | | <p>10500469</p> |

| ILLUSTRATION NOT TO SCALE | DESCRIPTION | LENGTH/ COLOR | PART NO. |
|---|--|------------------|----------------------|
|  | Head Jamb Dust Block 2 5/16" x 5/8" x 1/2" (59x16x13) <i>Adhesive backed</i> | GY | 10500135 |
|  | Interlock Seal Dust Block 3/16" x 5/8" x 3/8" (4x16x10) <i>Adhesive backed</i> | GY | 10501250 |
|  | Backer Rod Length: 5' (1524) | GY | 10510060 |
|  | Operator Weather Strip Plug 2" x 13/32" x 3/16" (51x21x5) <i>Adhesive backed</i> | Beige | 10500154 |
|  | Astragal Cap / Astragal Base Dust Block 1 3/8" x 1/4" x 3/8" (35x6x10) <i>Adhesive backed</i> | Beige Black | 10500463 10500464 |
|  | Frame Sealant Foam Tape 3/8" x 1/8" x 10' (10x3x3048) <i>Adhesive backed</i> | Black | 10500051 |
|  | Stationary Panel Top Plug 1 13/16" x 3/4" x 1/2" (46x19x13) <i>Adhesive backed</i> | WH | 10500195 |

ORDERING REPLACEMENT ELEVATE SLIDING FRENCH DOOR PANELS

To order replacement panels specify:

1. Size and configuration
2. Operator or stationary
3. Handing
4. Stone White, Pebble Gray, Bronze, Evergreen, Cashmere or Ebony exterior
5. Glazing
6. Beige or Bronze sill
7. Bare wood, White, Designer Black or Clear interior.

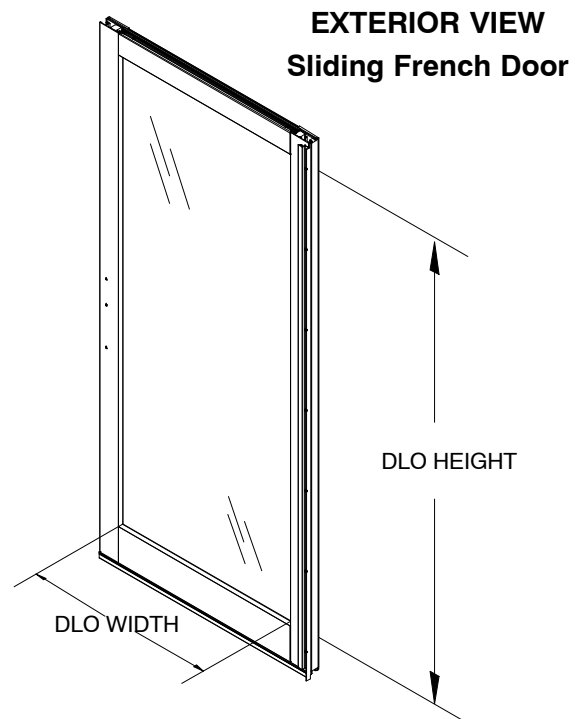
| Elevate Sliding French Door Replacement Panels | | | |
|---|----------------|--------|------------------|
| Units Manufactured 2003 to 3/1/2004 | | | |
| Daylight Opening to Panel OM | | | |
| Daylight Width + 7 1/4" = OM Width of Panel | | | |
| Daylight Height + 9 5/8" = OM Height of Panel | | | |
| WIDTH | | HEIGHT | |
| Size | OM Width | Size | OM Height |
| 5-0 | 29 5/8" (752) | 6-5 | 76 23/32" (1949) |
| 6-0 retro | 35 5/8" (905) | 6-8 | 79 7/32" (2012) |
| 6-0 | 36 1/8" (918) | 8-0 | 92 23/32" (2355) |
| 8-0 | 47 5/8" (1210) | | |
| 9-0 | 36 1/8" | | |

| Elevate Sliding French Door Replacement Panels | | | |
|---|----------------|--------|------------------|
| Units Manufactured 3/1/2004 to Present | | | |
| Daylight Opening to Panel OM | | | |
| Daylight Width + 7 1/4" = OM Width of Panel | | | |
| Daylight Height + 9 5/8" = OM Height of Panel | | | |
| WIDTH | | HEIGHT | |
| Size | OM Width | Size | OM Height |
| 5-0 | 29 5/8" (752) | 6-5 | 76 23/32" (1949) |
| 6-0 | 35 5/8" (905) | 6-8 | 79 7/32" (2012) |
| 7-6 | 29 5/8" (752) | 7-0 | 83 7/32" (2114) |
| 8-0 | 47 5/8" (1210) | 8-0 | 92 23/32" (2355) |
| 9-0 | 35 5/8" (905) | | |
| 10-0 | 29 5/8" (753) | | |
| 12-0 | 35 5/8" (905) | | |
| 12-0 (3-panel) | 47 5/8" (1210) | | |
| 16-0 | 47 5/8" (1210) | | |

NOTE: Operator panels include rollers, lock box, interlock, aluminum and wood fillers. Stationary panels include interlock, stationary panel brackets, aluminum filler, head jamb foam block and wood spacers, 4 panel secondary operator panels include astragal components and flushbolt actuators.

NOTE: When ordering replacement operator panels for OXXO units RO 86 1/2" and shorter and manufactured prior to 4/25/16, be sure to order an additional Stile Wood Filler (W12671) for the other operator panel to avoid aesthetic mismatch between panels.

NOTE: When ordering replacement stationary panels for OXXO units manufactured prior to 4/25/16, color mismatch will exist on the Top Stationary Panel Bracket. Suggestion is to order two bracket covers (PN 10500801) to conceal Top Stationary Panel Brackets.



ATTENTION: This section contains kits for replacing stationary panel components on units manufactured before 11/09/04. When replacing stationary panels or stationary panel components on doors manufactured before this date, you must replace all components on all stationary panels. These kits can be used in the following ways:

- When replacing stationary panels, the panel components are sent with the replacement panel. However, for 3-wide units, you must order an additional kit for the other stationary panel (if you don't replace both panels).
- When replacing individual components of the leveling block system (leveling block, end cap, or interlock) choose from the appropriate kit below. 3-wide units will require kits for both stationary panels.

NOTE: Individual part numbers for kit parts are not listed in this section. Refer to the main replacement parts sections for kit parts.

OX/XO Leveling Block Kits

Kits include:

Leveling block, interlock, end cap, interlock to leveling block gasket, 2" sill filler, leveling block to jamb gasket, interlock foam block, dust block, #8 x 1 1/2" truss head screws, #7 x 1/2" pan head screws, and instructions.

| CN Height | 5-0 | | 6-0 | | 8-0 | | Pre 3/1/04 6-0 Kits | |
|-----------|----------|----------|----------|----------|----------|----------|---------------------|----------|
| | XO | OX | XO | OX | XO | OX | XO | OX |
| 6-5 | 11896600 | 11896601 | 11896608 | 11896609 | 11896616 | 11896617 | 11896640 | 11896641 |
| 6-8 | 11896602 | 11896603 | 11896610 | 11896611 | 11896618 | 11896619 | 11896642 | 11896643 |
| 8-0 | 11896604 | 11896605 | 11896612 | 11896613 | 11896620 | 11896621 | 11896644 | 11896645 |

9-0 Leveling Block Kits

Interlock Kits include:

Leveling block, end cap, interlock, interlock to leveling block gasket, 2" sill filler, interlock foam block, dust block, #8 x 1 1/2" truss head screws, #7 x 1/2" pan head screws, and instructions.

Jamb Side Kits include:

Leveling block, 2" sill filler, and leveling block to jamb gasket, and instructions.

Astragal Kits include:

Leveling block, end cap, leveling block to jamb gasket, 2" sill filler, #8 x 1 1/2" truss head screws, #7 x 1/2" pan head screws, and instructions.

NOTE: When replacing interlock stationary panels on an OXO door, use one of the 6-0 OX/XO kits from the section above.

| Units Manufactured 3/1/04 – 11/9/04 | | | | | | |
|-------------------------------------|-----------|----------|-----------|----------|--------------|----------|
| CN Height | Interlock | | Jamb Side | | OXO Astragal | |
| | XOO | OOX | XOO | OOX | LH | RH |
| 6-5 | 11896624 | 11896625 | 11896632 | 11896633 | 11896636 | 11896637 |
| 6-8 | 11896626 | 11896627 | 11896632 | 11896633 | 11896636 | 11896637 |
| 8-0 | 11896628 | 11896629 | 11896632 | 11896633 | 11896636 | 11896637 |

| Units Manufactured Before 3/1/04 | | | | | | |
|----------------------------------|-----------|----------|-----------|----------|--------------|----------|
| CN Height | Interlock | | Jamb Side | | OXO Astragal | |
| | XOO | OOX | XOO | OOX | LH | RH |
| 6-5 | 11896648 | 11896649 | 11896656 | 11896657 | 11896660 | 11896661 |
| 6-8 | 11896650 | 11896651 | 11896656 | 11896657 | 11896660 | 11896661 |
| 8-0 | 11896652 | 11896653 | 11896656 | 11896657 | 11896660 | 11896661 |

ORDERING SLIDING REPLACEMENT SCREENS FOR SLIDING FRENCH DOOR

Screens are standard with a color matched aluminum surround and charcoal colored fiberglass 18 x 16 screen mesh. Determine the outside measurement of the existing screen. Find the sizes that correspond to the width and height indicated on the following chart.

When ordering replacement screen specify:

1. Size; if there is no existing screen from which to obtain the OM of the screen, determine the size of the screen by using the conversion chart below. The daylight opening is the measurement of the visible glass.
2. Handing;
3. Color– Stone White, Pebble Gray, Bronze, Evergreen, Cashmere or Ebony.

| Screen Sizes for Sliding French Door manufactured 2003 to 3/1/2004 | | | |
|---|-----------------|---------------|------------------|
| Daylight Opening to OM of screen | | | |
| Daylight Width + 6 13/16" = OM Width of Screen | | | |
| Daylight Height + 10 5/8" = OM Height of Screen | | | |
| WIDTH | | HEIGHT | |
| Size | OM Width | Size | OM Height |
| 5-0 | 29 3/16" (741) | 6-5 | 77 3/4" (1975) |
| 6-0 retro | 35 3/16" (894) | 6-8 | 80 1/4" (2038) |
| 6-0 | 35 11/16" (906) | 8-0 | 93 3/4" (2381) |
| 8-0 | 47 3/16" (1199) | | |
| 9-0 | 35 11/16" (906) | | |

| Screen Sizes for 2 and 3 Panel Sliding French Door Door Manufactured 3/1/2004 to 4/25/2016 | | | |
|---|-----------------|---------------|------------------|
| Daylight Opening to OM of screen | | | |
| Daylight Width + 6 13/16" = OM Width of Screen | | | |
| Daylight Height + 10 5/8" = OM Height of Screen | | | |
| WIDTH | | HEIGHT | |
| Size | OM Width | Size | OM Height |
| 5-0 | 29 3/16" (741) | 6-5 | 77 3/4" (1975) |
| 6-0 | 35 3/16" (894) | 6-8 | 80 1/4" (2038) |
| 7-6 | 29 3/16" (741) | 7-0 | 84 1/4" (2140) |
| 8-0 | 47 3/16" (1199) | 8-0 | 93 3/4" (2381) |
| 9-0 | 35 11/16" (906) | | |

| Screen Sizes for Sliding French Door 2 and 3 Panel Units Manufactured 4/25/2016 to Present and 4 Panel Units Manufactured 6/23/2014 to Present | | | |
|---|-----------------|---------------|------------------|
| Daylight Opening to OM of screen | | | |
| Daylight Width + 6 13/16" = OM Width of Screen | | | |
| Daylight Height + 10" = OM Height of Screen | | | |
| Daylight Height + 10 5/8" = OM Height of Screen (HP/IZ3) | | | |
| WIDTH | | HEIGHT | |
| Size | OM Width | Size | OM Height |
| 10-0 | 29 3/16" (741) | 6-5 | 77 1/32" (1957) |
| 12-0 (4 Panel) | 35 3/16" (894) | 6-8 | 79 17/32" (2020) |
| 12-0 (3 Panel) | 47 3/16" (1199) | 7-0 | 83 17/32" (2122) |
| 16-0 | 47 3/16" (1199) | 8-0 | 93 1/32" (2363) |

NOTE: When ordering single replacement screens for 4 panel units manufactured prior to 4/25/2016, order a new screen roller guide assembly for the opposing screen to avoid color mismatch between assemblies.

When ordering sliding french door replacement screen parts specify:

1. Description;
2. Part number;
3. Quantity.

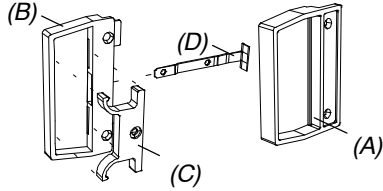

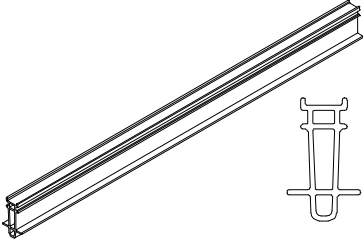

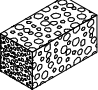
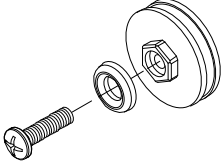
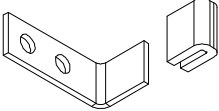
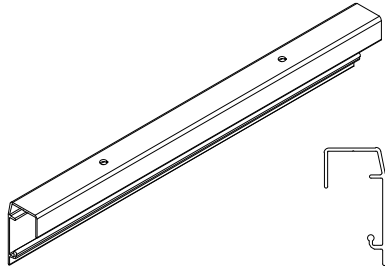
| ILLUSTRATION NOT TO SCALE | DESCRIPTION | LENGTH/ COLOR | PART NO. |
|---|---|------------------|----------------------------------|
|  | <p>Screen Handle Assembly</p> <p><i>Includes:</i> 1 - Exterior handle (A) 1 - Interior handle (B) 1 - Slide (C) 1 - Latch (D) 3 - Screws 1 - Rivet</p> | Black | 10150028 |
|  | <p>Screen Door Strike</p> <p><i>Includes:</i> 1 - Door strike 1 - #8x5/8" Phillips pan head screw, 11800505</p> | | 11897165 |
|  | <p>Screen Roller Guide V2932</p> <p>CN 5-0 CN 6-0/9-0 CN 8-0</p> | Black | 15918851 15918861 15918881 |
|  | <p>Screen Door Meeting Stile Dust Block 17/32" x 7/8" x 1/2" <i>Adhesive backed</i></p> | GY | 10500161 |
|  | <p>Screen Bumper 3/4" x 3/4" x 1 3/8"</p> | WH | 02540675 |
|  | <p>Screen Roller Assembly</p> <p><i>Includes:</i> 2 - Rollers 2 - Machine screws 2 - Grommet washers</p> | | 11869525 |
|  | <p>Screen Stop, OXXO</p> <p><i>Includes:</i> 2 - #8x5/8" Pierce point truss head screws <i>Adhesive backed</i></p> | Stainless Steel | 10188177 |

ILLUSTRATION AND DESCRIPTION
NOT TO SCALE


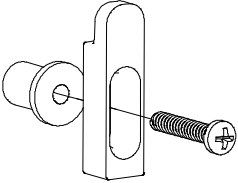
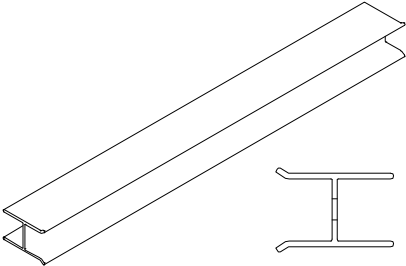


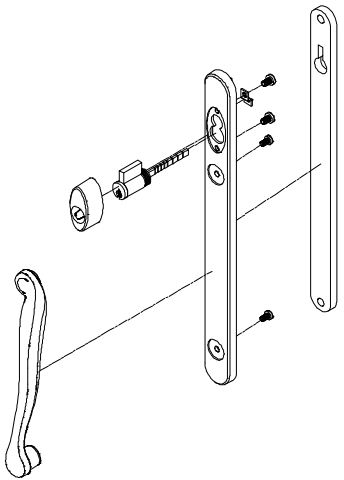
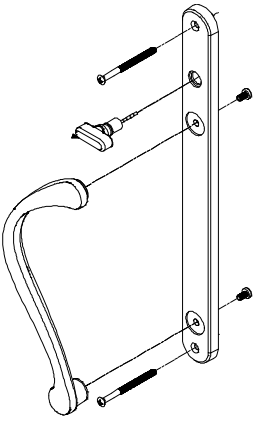
Head Jamb Screen Track
A1237

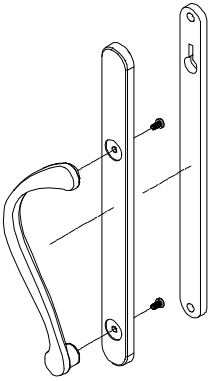
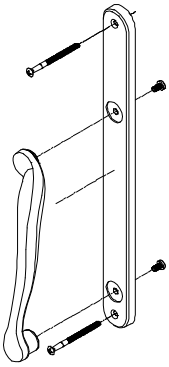
Includes:
1 - Head jamb screen track
6 - 16 - #8x5/8" Phillips self tapping undercut trusshead screws , 11806158

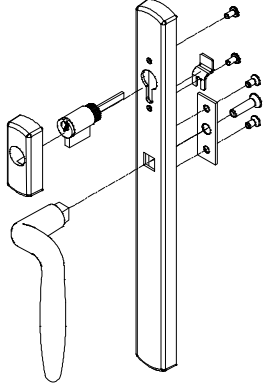
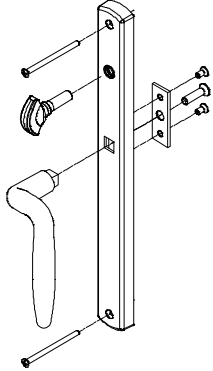
| Size | Color | Part No. | Size | Color | Part No. |
|--------------------------|-------|----------|--------------------------------------|-------|----------|
| CN 5-0 57 31/64" (1460) | SW | 11897145 | CN 10-0 115 31/34" (2934) | SW | 10890010 |
| | PB | 11897146 | | PB | 10890011 |
| | BZ | 11897147 | | BZ | 10890012 |
| | EG | 11897148 | | EG | 10890013 |
| | CS | 11897149 | | CS | 10890014 |
| | EB | 11898150 | | EB | 10890015 |
| CN 6-0 69 31/64" (1765) | SW | 11897150 | 4 Panel CN 12-0 139 31/64" (3543) | SW | 10890110 |
| | PB | 11897151 | | PB | 10890111 |
| | BZ | 11897152 | | BZ | 10890112 |
| | EG | 11897153 | | EG | 10890113 |
| | CS | 11897154 | | CS | 10890114 |
| | EB | 11898155 | | EB | 10890115 |
| CN 7-6 87 63/64" (2210) | SW | 10870476 | 3 Panel CN 12-0 140 63/64" (3581) | SW | 11897812 |
| | PB | 10870576 | | PB | 11897912 |
| | BZ | 10870676 | | BZ | 11898012 |
| | EG | 10870767 | | EG | 11898112 |
| | CS | 10870867 | | CS | 11898212 |
| | EB | 10870967 | | EB | 11898312 |
| CN 8-0 93 31/64" (2375) | SW | 11897155 | CN 16-0 187 31/64" (4762) | SW | 10890210 |
| | PB | 11897156 | | PB | 10890211 |
| | BZ | 11897157 | | BZ | 10890212 |
| | EG | 11897158 | | EG | 10890213 |
| | CS | 11897159 | | CS | 10890214 |
| | EB | 11898160 | | EB | 10890215 |
| CN 9-0 105 63/64" (2692) | SW | 11897160 | | | |
| | PB | 11897161 | | | |
| | BZ | 11897162 | | | |
| | EG | 11897163 | | | |
| | CS | 11897164 | | | |
| | EB | 11898165 | | | |

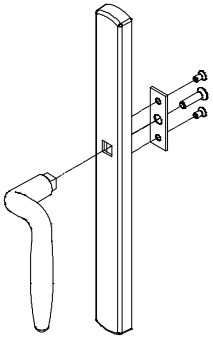
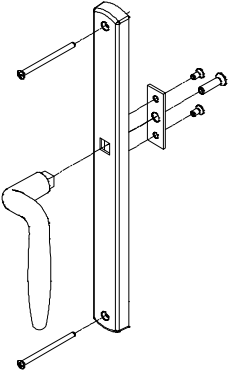
NOTE: Please contact your Marvin representative to ETO (Engineer to Order) replacement components for all HP (High Performance) and IZ3 products DO NOT order by part number.


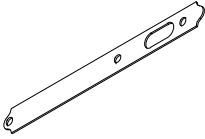
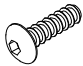

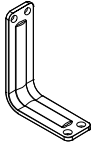
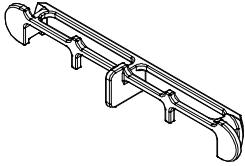
| ILLUSTRATION NOT TO SCALE | DESCRIPTION | LENGTH/ COLOR | PART NO. |
|---|--|---|---|
|  | <p>Screen Roller Track Dust Block 7/8" x 7/8" x 3/16" <i>Adhesive backed, located behind the screen roller bar</i></p> | GY | 10500143 |
|  | <p>Sliding Screen Door Strike Repair Kit <i>Includes:</i> 1 - Strike 1 - Rubber well nut 1 - #6x3/4" stainless steel machine screw <i>See instructions 19971024 Sliding screen door strike repair kit</i></p> | | 11901980 |
|  | <p>Screen Astragal Kit, OXXO A2740 <i>Note: If astragal is needed for replacement, order in addition to the secondary panel screen.</i> <i>Includes:</i> 5 - Screen Dust Block 5-7 - #7-19x1/2" Phillips pan head screws 1 - Sliding Screen Installation Instruction (19970070)</p> | <p>SW PB BZ EG CS EB SW PB BZ EG CS EB SW PB BZ EG CS EB SW PB BZ EG CS EB</p> | <p>11810065 11820065 11830065 11840065 11870065 11880065 11810068 11820068 11830068 11840068 11870068 11880068 11810070 11820070 11830070 11840070 11870070 11880070 11810080 11820080 11830080 11840080 11870080 11880080</p> |

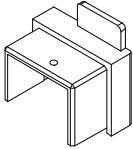
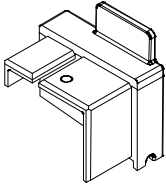
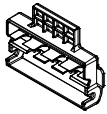

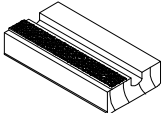
| ILLUSTRATION NOT TO SCALE | DESCRIPTION | LENGTH/ COLOR | PART NO. |
|--|---|---|---|
|  | <p>Cambridge Primary Handle Set, Exterior <i>Note: Matte Black (MB) uses a 1" escutcheon</i> <i>Includes:</i> 1 - Exterior Handle 1 - Exterior Escutcheon 1 - Hardware Gasket 1 - Z Clip 1 - Keyed Cylinder 2 - Keyed cylinder cover screws 2 - Handle Screws</p> | <p>XO/XOO/OXO-R OXXO-R AF WH BS PVD SN PVD ORBZ PVD</p> <p>OX/OOX/OXO-L OXXO-L AF WH BS PVD SN PVD ORBZ PVD</p> | <p>11869011 11869012 11869013 11869014 11869015</p> <p>11869016 11869017 11869018 11869019 11869020</p> |
|  | <p>Cambridge Primary Handle Set, Interior <i>Note: Matte Black (MB) uses a 1" escutcheon</i> <i>Includes:</i> 1 - Interior Handle 1 - Interior Escutcheon 1 - Thumb Turn 2 - #8-32 Machine screws 2 - Handle Screws 1 - Instruction</p> | <p>XO/XOO/OXO-R OXXO-R AF WH BS PVD SN PVD ORBZ PVD</p> <p>OX/OOX/OXO-L OXXO-L AF WH BS PVD SN PVD ORBZ PVD</p> | <p>11869001 11869002 11869003 11869004 11869005</p> <p>11869006 11869007 11869008 11869009 11869010</p> |

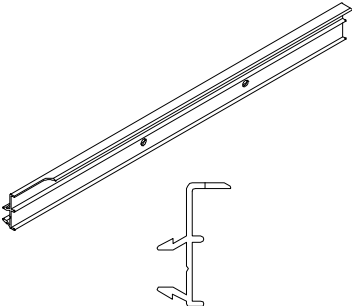
| | | | |
|--|--|---|--|
|  | <p>Cambridge Secondary Handle Set, Exterior <i>Note: Matte Black (MB) uses a 1" escutcheon</i> <i>Includes:</i> 1 – Exterior Handle 1 – Exterior Escutcheon 1 – Hardware Gasket 2 – Handle Screws</p> | <p>OXXO-R AF 11869589 WH 11869585 BS PVD 11869573 SN PVD 11869577 ORBZ PVD 11869581</p> <p>OXXO-L AF 11869590 WH 11869586 BS PVD 11869574 SN PVD 11869578 ORBZ PVD 11869582</p> | |
|  | <p>Cambridge Secondary Handle Set, Interior <i>Note: Matte Black (MB) uses a 1" escutcheon</i> <i>Includes:</i> 1 – Interior Handle 1 – Interior Escutcheon 2 – #8-32 Machine screws 2 – Handle Screws 1 – Instruction</p> | <p>OXXO-R AF 11869587 WH 11869583 BS PVD 11869571 SN PVD 11869575 ORBZ PVD 11869579</p> <p>OXXO-L AF 11869588 WH 11869584 BS PVD 11869572 SN PVD 11869576 ORBZ PVD 11869580</p> | |

| ILLUSTRATION NOT TO SCALE | DESCRIPTION | OPER./COLOR | PART NO. |
|--|---|---|---|
|  | <p>Northfield Primary Handle Set, Exterior Includes: 1 - Exterior Handle 1 - Exterior Escutcheon 1 - Hardware Gasket 1 - Z Clip 1 - Keyed Cylinder 2 - Keyed cylinder cover screws 1 - Handle Screw 1 - Bracket 2 - Bracket Screws</p> | <p>XO/XOO/OXO-R OXXO-R AF SW BS PVD SN PVD ORBZ PVD OX/OOX/OXO-L OXXO-L AF SW BS PVD SN PVD ORBZ PVD</p> | <p>11869041 11869042 11869043 11869044 11869045 11869046 11869047 11869048 11869049 11869050</p> |
|  | <p>Northfield Primary Handle Set, Interior Includes: 1 - Interior Handle 1 - Interior Escutcheon 1 - Thumb Turn 2 - #8-32 Machine screws 1 - Handle Screw 1 - Bracket 2 - Bracket Screws 1 - Instruction</p> | <p>XO/XOO/OXO-R OXXO-R AF WH BS PVD SN PVD ORBZ PVD OX/OOX/OXO-L OXXO-L AF WH BS PVD SN PVD ORBZ PVD</p> | <p>11869031 11869032 11869033 11869034 11869035 11869036 11869037 11869038 11869039 11869040</p> |

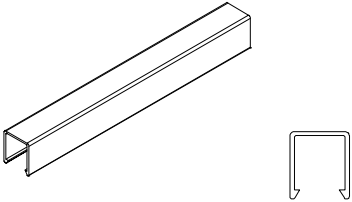
| ILLUSTRATION <i>NOT TO SCALE</i> | DESCRIPTION | OPER./COLOR | PART NO. |
|--|--|---|---|
|  | <p>Northfield Secondary Handle Set, Exterior <i>Includes:</i> 1 - Exterior Handle 1 - Exterior Escutcheon 1 - Handle Screw 1 - Bracket 2 - Bracket Screws</p> | <p>OXXO-R AF WH BS PVD SN PVD ORBZ PVD</p> <p>OXXO-L AF WH BS PVD SN PVD ORBZ PVD</p> | <p>11869199 11869195 11869053 11869057 11869191</p> <p>11869200 11869196 11869054 11869058 11869192</p> |
|  | <p>Northfield Secondary Handle Set, Interior <i>Includes:</i> 1 - Interior Handle 1 - Interior Escutcheon 2 - #8-32 Machine screws 1 - Handle Screw 1 - Instruction</p> | <p>OXXO-R AF WH BS PVD SN PVD ORBZ PVD</p> <p>OXXO-L AF WH BS PVD SN PVD ORBZ PVD</p> | <p>11869197 11869193 11869051 11869055 11869059</p> <p>11869198 11869194 11869052 11869056 11869060</p> |

| ILLUSTRATION NOT TO SCALE | DESCRIPTION | LENGTH/ COLOR | PART NO. |
|---|---|------------------------------|--|
|  | Through Pin <i>USAGE: 3/2003 – 6/2008</i> | | 11101735 |
|  | Exterior Gasket <i>USAGE: 3/2003 – 6/2008</i> | | 10500159 |
|  | Handle Screws <i>Includes:</i> 1 – #8 x 7/16" button head cap screw (attach handle to escutcheon) <i>USAGE: 3/2003 – 6/2008</i> | ZC | 11800880 |
|  | Escutcheon Plate Screws <i>Includes:</i> 1 – #8 x 2" Phillips oval head screws (attach handle to escutcheon) <i>USAGE: 3/2003 – 6/2008</i> | BS WH AF SN ORBZ | 11800872 11800873 11800874 11800881 11800882 |
|  | Stationary Panel Bracket <i>Includes:</i> 2 – #8x1" Phillips panhead screws 1 – #8x3" Phillips panhead screw <i>USAGE: pre 4/25/2016</i> | Beige Stainless Steel | 11897106 11897107 |
|  | Sill Drain Cover <i>USAGE: pre 4/25/2016</i> | Beige | 15633101 |

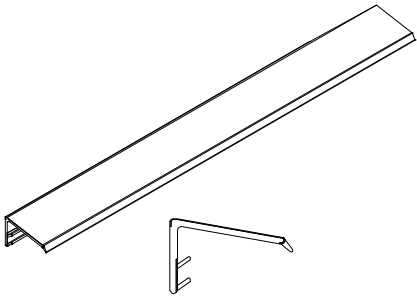
| ILLUSTRATION NOT TO SCALE | DESCRIPTION | LENGTH/ COLOR | PART NO. |
|---|---|----------------------------|---|
|  | <p>Sill Leveling Block End Cap Includes: 1–End cap screw #7x1/2", 11800756 USAGE: pre 4/25/2016</p> | <p>XO (LH) OX (RH)</p> | <p>10500173 10500172</p> |
|  | <p>IZ3 Sill Leveling Block End Cap Includes: 1–End cap screw #7x1/2", 11800756 USAGE: pre 4/25/2016</p> | <p>XO (LH) OX (RH)</p> | <p>11896880 11896881</p> |
|  | <p>OXXO Door Stop Includes: 1–5/8" Rubber Bumper 1–1/2" Piece Glazing Tape USAGE: pre 4/25/2016</p> | <p>Beige</p> | <p>11801489</p> |
|  | <p>Door Stop</p> | | <p>11872001</p> |
|  | <p>Operator Stop Block</p> | <p>BA WH CL</p> | <p>11900315 39240315 31600315</p> |

| ILLUSTRATION NOT TO SCALE | DESCRIPTION | LENGTH/ COLOR | PART NO. |
|--|--|--|--|
|  | Screen Stop Astragal Base A362 <i>USAGE: Used until June 25, 2018</i> | | |
| | CN 6-5 height – RH | 76 23/32" (1949) SW 76 23/32" (1949) PB 76 23/32" (1949) BZ 76 23/32" (1949) EG 76 23/32" (1949) CS 76 23/32" (1949) EB | 18916122 18916132 18916142 18916162 18916152 18916372 |
| | CN 6-5 height – LH | 76 23/32" (1949) SW 76 23/32" (1949) PB 76 23/32" (1949) BZ 76 23/32" (1949) EG 76 23/32" (1949) CS 76 23/32" (1949) EB | 18916222 18916232 18916242 18916262 18916252 18916472 |
| | CN 6-8 height – RH | 79 7/32" (2012) SW 79 7/32" (2012) PB 79 7/32" (2012) BZ 79 7/32" (2012) EG 79 7/32" (2012) CS 79 7/32" (2012) EB | 18916123 18916133 18916143 18916163 18916153 18916373 |
| | CN 6-8 height – LH | 79 7/32" (2012) SW 79 7/32" (2012) PB 79 7/32" (2012) BZ 79 7/32" (2012) EG 79 7/32" (2012) CS 79 7/32" (2012) EB | 18916223 18916233 18916243 18916263 18916253 18916473 |
| | CN 7-0 height – RH | 83 7/32" (2114) SW 83 7/32" (2114) PB 83 7/32" (2114) BZ 83 7/32" (2114) EG 83 7/32" (2114) CS 83 7/32" (2114) EB | 18916124 18916134 18916144 18916164 18916154 18916374 |
| | CN 7-0 height – LH | 83 7/32" (2114) SW 83 7/32" (2114) PB 83 7/32" (2114) BZ 83 7/32" (2114) EG 83 7/32" (2114) CS 83 7/32" (2114) EB | 18916224 18916234 18916244 18916264 18916254 18916474 |
| | CN 8-0 height – RH | 92 23/32" (2355) SW 92 23/32" (2355) PB 92 23/32" (2355) BZ 92 23/32" (2355) EG 92 23/32" (2355) CS 92 23/32" (2355) EB | 18916125 18916135 18916145 18916165 18916155 18916375 |
| | CN 8-0 height – LH | 92 23/32" (2355) SW 92 23/32" (2355) PB 92 23/32" (2355) BZ 92 23/32" (2355) EG 92 23/32" (2355) CS 92 23/32" (2355) EB | 18916225 18916235 18916245 18916265 18916255 18916475 |

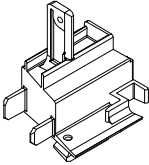
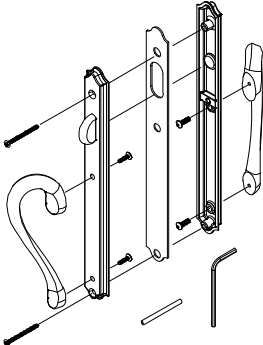
NOTE: Please contact your Marvin representative to ETO (Engineer to Order) replacement components for all HP (High Performance) and IZ3 products DO NOT order by part number.

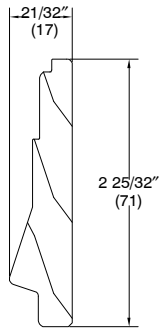
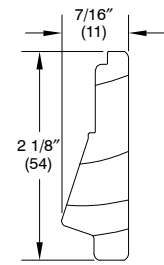
| ILLUSTRATION NOT TO SCALE | DESCRIPTION | LENGTH/ COLOR | PART NO. |
|---|---|--|--|
|  | Screen Stop Cap – OXO A361 USAGE: Used until June 25, 2018 | | |
| | CN 6–5 height | 77 15/16" (1980) SW 77 15/16" (1980) PB 77 15/16" (1980) BZ 77 15/16" (1980) EG 77 15/16" (1980) CS 77 15/16" (1980) EB | 18541165 18542265 18543365 18544465 18546665 18549965 |
| | CN 6–8 height | 80 7/16" (2043) SW 80 7/16" (2043) PB 80 7/16" (2043) BZ 80 7/16" (2043) EG 80 7/16" (2043) CS 80 7/16" (2043) EB | 18541168 18542268 18543368 18544468 18546668 18549968 |
| | CN 7–0 height | 84 7/16" (2145) SW 84 7/16" (2145) PB 84 7/16" (2145) BZ 84 7/16" (2145) EG 84 7/16" (2145) CS 84 7/16" (2145) EB | 18541170 18542270 18543370 18544470 18546670 18549970 |
| | CN 8–0 height | 93 15/16" (2386) SW 93 15/16" (2386) PB 93 15/16" (2386) BZ 93 15/16" (2386) EG 93 15/16" (2386) CS 93 15/16" (2386) EB | 18541180 18542280 18543380 18544480 18546680 18549980 |

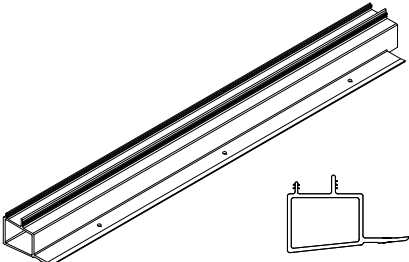
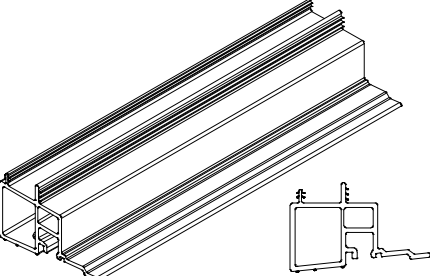
NOTE: Please contact your Marvin representative to ETO (Engineer to Order) replacement components for all HP (High Performance) and IZ3 products DO NOT order by part number.

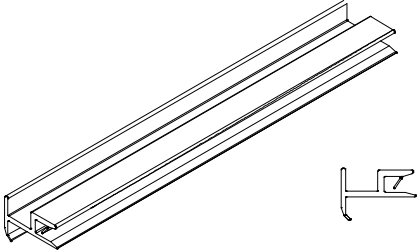
| ILLUSTRATION NOT TO SCALE | DESCRIPTION | LENGTH/ COLOR | PART NO. |
|---|--|--|--|
|  | Astragal Cap V2649 <i>USAGE: Used until June 25, 2018</i> | | |
| | CN 6-5 height | 76 23/32" (1949) SW 76 23/32" (1949) PB 76 23/32" (1949) BZ 76 23/32" (1949) EG 76 23/32" (1949) CS 76 23/32" (1949) EB | 15912265 15913365 15914465 15915565 15926665 15928765 |
| | CN 6-8 height | 79 7/32" (2012) SW 79 7/32" (2012) PB 79 7/32" (2012) BZ 79 7/32" (2012) EG 79 7/32" (2012) CS 79 7/32" (2012) EB | 15912268 15913368 15914468 15915568 15926668 15928768 |
| | CN 7-0 height | 83 7/32" (3114) SW 83 7/32" (3114) PB 83 7/32" (3114) BZ 83 7/32" (3114) EG 83 7/32" (3114) CS 83 7/32" (3114) EB | 15912270 15913370 15914470 15915570 15926670 15928770 |
| | CN 8-0 height | 92 23/32" (2355) SW 92 23/32" (2355) PB 92 23/32" (2355) BZ 92 23/32" (2355) EG 92 23/32" (2355) CS 92 23/32" (2355) EB | 15912280 15913380 15914480 15915580 15926680 15928780 |

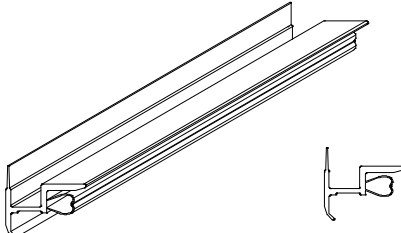
NOTE: Please contact your Marvin representative to ETO (Engineer to Order) replacement components for all HP (High Performance) and IZ3 products DO NOT order by part number.


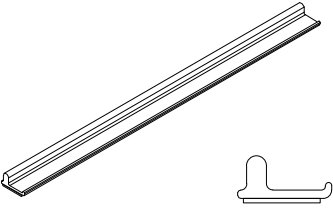
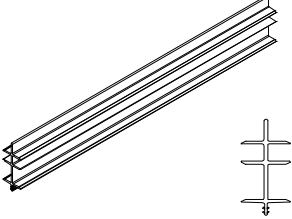
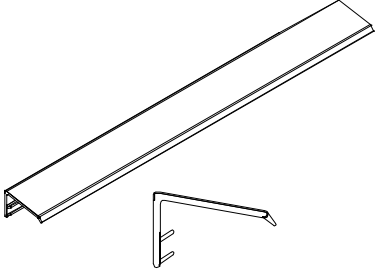
| ILLUSTRATION NOT TO SCALE | DESCRIPTION | LENGTH/ COLOR | PART NO. |
|---|--|---|---|
|  | <p>Sill Leveling Block End Cap</p> | <p>XO OX</p> | <p>No longer Available</p> <p>Refer to the Field Service Kits for Panel Replacement section for details</p> |
|  | <p>Handle Replacement Package</p> <p><i>Includes:</i> RH and LH handles, interior and exterior escutcheon plates, exterior gasket, Allen wrench, through pin, and instructions.</p> <p><i>Also:</i></p> <p>4–Handle screws 2–Escutcheon plate screws</p> <p>USAGE: 3/2003 – 6/2008 * Replace with current.</p> | <p>BS WH AF SN ORBZ</p> | <p>N/A N/A N/A N/A N/A</p> |

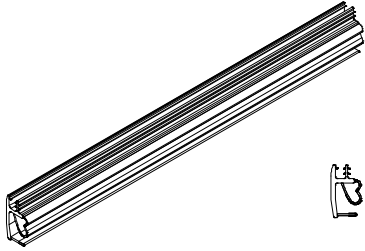
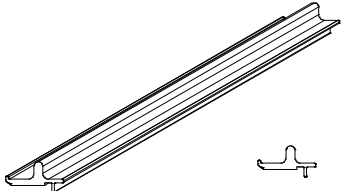
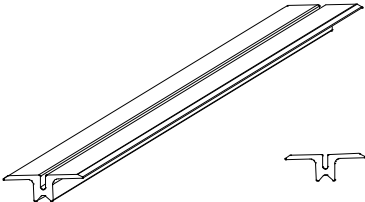
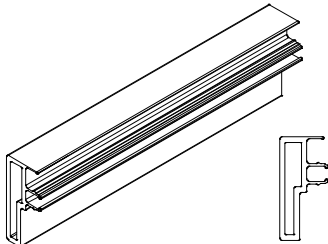
| ILLUSTRATION <i>NOT TO SCALE</i> | DESCRIPTION | LENGTH | BARE WOOD PART NO. | CLEAR INTERIOR PART NO. |
|---|--|---------------|---|--|
|  | <p>HP/IZ3 Sill Liner W12565</p> | | <p>No Longer Available Replace with V2953</p> | |
|  | <p>Sill Liner W12077</p> | | <p>No Longer Available Replace with V2693</p> | |

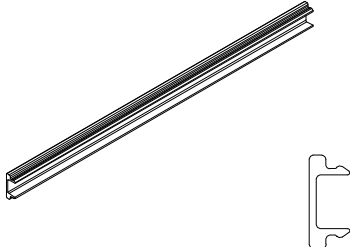
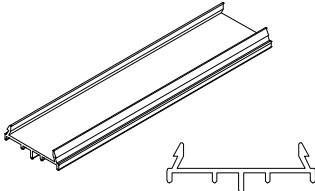
| ILLUSTRATION NOT TO SCALE | DESCRIPTION | LENGTH/ COLOR | PART NO. | |
|---|--|--|--|---|
|  | <p>Stationary Panel Leveling Block V1171</p> <p><i>Includes:</i> 7-#8x5/8" pierce point Truss head screws</p> <p>CN 5-0 XO/7-6 XOO width CN 5-0 OX/7-6 OOX width</p> <p>CN 7-6 width OOX, XOO (center panel)</p> <p>CN 6-0 XO/9-0 XOO width CN 6-0 OX/9-0 OOX width</p> <p>CN 9-0 OOX XOO (center panel)</p> <p>CN 8-0 XO width CN 8-0 OX width</p> <p><i>Handing is from the exterior.</i></p> | <p>29 7/16" (748)</p> <p>29 11/16" (754)</p> <p>35 7/16" (900)</p> <p>35 11/16" (906)</p> <p>47 7/16" (1205)</p> | <p>11897108 11897109</p> <p>10880129</p> <p>11897110 11897111</p> <p>11897112</p> <p>11897113 11897114</p> | |
| |  | <p>Stationary Panel Leveling Block - IZ3 V1807</p> <p><i>Includes:</i> 1-Leveling block 1-Aluminum Leveling Block Support 7-#8x5/8" Truss head screws, 1-Leveling Block End Cap 1-#7x1/2" End cap screw 2-#8x2 1/2" Corner Key Screw</p> <p>CN 5-0 XO width CN 5-0 OX width</p> <p>CN 6-0 XO width CN 6-0 OX width</p> <p>CN 8-0 XO width CN 8-0 OX width</p> <p><i>Handing is from the exterior.</i></p> | <p>29 7/16" (748)</p> <p>47 7/16" (1205)</p> <p>144" (3658)</p> | <p>11896897 11896900</p> <p>11896899 11896902</p> <p>15918399</p> |

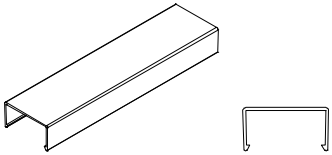

| ILLUSTRATION NOT TO SCALE | DESCRIPTION | LENGTH/ COLOR | PART NO. |
|--|--|---|---|
|  | <p>Operator Panel Interlock V1620</p> <p><i>Includes:</i> 7 or 8-#8x1" Phillips PH screws</p> <p>CN 6-5 XO height CN 6-5 OX height</p> <p>CN 6-8 XO height CN 6-8 OX height</p> <p>CN 7-0 XO height CN 7-0 OX height</p> <p>CN 8-0 XO height CN 8-0 OX height</p> | <p>76 23/32" (1949)</p> <p>79 7/32" (2012)</p> <p>83 7/32" (2114)</p> <p>92 23/32" (2355)</p> | <p>11897121 11897122</p> <p>11897123 11897124</p> <p>10880170 10880171</p> <p>11897125 11897126</p> |
| | <p>Operator Panel Interlock – IZ3 V1620</p> <p><i>Includes:</i> 7 or 8-#8x1" Phillips PH screws 1-Meeting Stile Fuzzy</p> <p>CN 6-5 height</p> <p>CN 6-8 height</p> <p>CN 7-0 height</p> <p>CN 8-0 height</p> | <p>75 13/32" (1915)</p> <p>77 29/32" (1979)</p> <p>81 29/32" (2080)</p> <p>91 13/32" (2322)</p> | <p>10880165</p> <p>10880168</p> <p>10880270</p> <p>10880282</p> |
| | <p>Operator Panel Interlock – OXXO V1620</p> <p><i>Includes:</i> 7 or 8-#8x1" Phillips PH screws</p> <p>CN 6-5 height</p> <p>CN 6-8 height</p> <p>CN 7-0 height</p> <p>CN 8-0 height</p> | <p>75 15/32" (1917)</p> <p>77 31/32" (1980)</p> <p>81 31/32" (2082)</p> <p>91 15/32" (2323)</p> | <p>10888065</p> <p>10888068</p> <p>10888070</p> <p>10888080</p> |

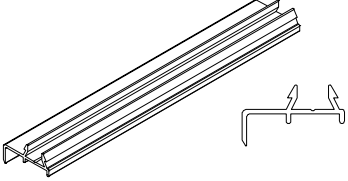
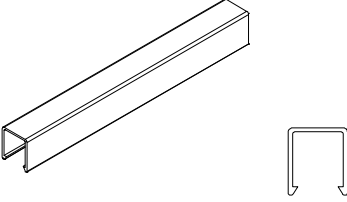
| ILLUSTRATION NOT TO SCALE | DESCRIPTION | LENGTH/ COLOR | PART NO. |
|--|--|-------------------------|------------------------------|
|  <p data-bbox="138 1249 503 1354"><i>NOTE: These V1855 parts can be used on Elevate Sliding French doors manufactured prior to pre- 03/2004 and pre-4/25/2016.</i></p> | <p>Stationary Panel Interlock V1855</p> <p><i>Includes:</i> 1–Stationary panel interlock 1–Interlock foam block, 10500289 1–Dust block, 10500135 7 or 8–#8x1 " Phillips panhead screws</p> | | |
| | <p>CN 6–5 XO height CN 6–5 OX height</p> | <p>77 1/2" (1969)</p> | <p>15919165 15919166</p> |
| | <p>CN 6–8 XO height CN 6–8 OX height</p> | <p>80" (2032)</p> | <p>15919168 15919169</p> |
| | <p>CN 7–0 XO height CN 7–0 OX height</p> | <p>84" (2134)</p> | <p>10880370 10880371</p> |
| | <p>CN 8–0 XO height CN 8–0 OX height</p> | <p>93 1/2" (2375)</p> | <p>15919180 15919181</p> |
| | <p>Stationary Panel Interlock – IZ3 V1855</p> <p><i>Includes:</i> 1–Stationary panel interlock 1–Interlock foam block, (10500289) 1–Interlock Foam Tape 7 or 8–#8x1 1/2 " Phillips panhead screws</p> | | |
| | <p>CN 6–5 XO height CN 6–5 OX height</p> | <p>77 1/2" (1969)</p> | <p>11896909 11896912</p> |
| | <p>CN 6–8 XO height CN 6–8 OX height</p> | <p>80" (2032)</p> | <p>11896910 11896913</p> |
| | <p>CN 7–0 XO height CN 7–0 OX height</p> | <p>84" (2134)</p> | <p>10880470 10880471</p> |
| | <p>CN 8–0 XO height CN 8–0 OX height</p> | <p>93 1/2" (2375)</p> | <p>11896911 11896914</p> |
| | <p>Stationary Panel Interlock – OXXO V1855</p> <p><i>Includes:</i> 7 or 8–#8x1 " Phillips panhead screws</p> | | |
| | <p>CN 6–5 RH height CN 6–5 LH height</p> | <p>76 23/32" (1949)</p> | <p>10188065 10188066</p> |
| | <p>CN 6–8 RH height CN 6–8 LH height</p> | <p>79 7/32" (2012)</p> | <p>10188068 10188069</p> |
| | <p>CN 7–0 RH height CN 7–0 LH height</p> | <p>83 7/32" (2114)</p> | <p>10188070 10188071</p> |
| | <p>CN 8–0 RH height CN 8–0 LH height</p> | <p>92 23/32" (2355)</p> | <p>10188080 10188081</p> |

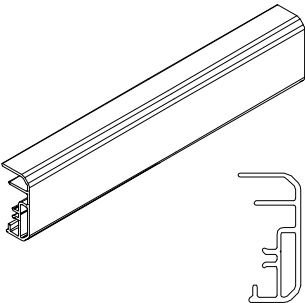
| ILLUSTRATION NOT TO SCALE | DESCRIPTION | LENGTH/ COLOR | PART NO. |
|---|--|--|--|
|  | <p>Operator Panel Drip V1176</p> <p>CN 5-0/7-6 width CN 6-0/9-0 width CN 8-0 width</p> | <p>Beige 29 5/16" (745) 35 5/16" (897) 47 5/16" (1202)</p> | <p>15917550 15917560 15917580</p> |
|  | <p>Sill Roller Track V1017 <i>Handing is from the exterior.</i></p> <p>CN 5-0 width CN 6-0/9-0 OXO width CN 7-6 OOX, XOO width CN 8-0 width CN 9-0 OOX, XOO width</p> | <p>Beige 57 15/32" (1460) 69 15/32" (1765) 86 31/32" (2209) 93 15/32" (2374) 104 31/32" (2666)</p> | <p>15979450 15979455 15979476 15979480 15979495</p> |
|  | <p>Stationary Panel Spline V1193 <i>For OOX, XOO configurations.</i></p> <p>CN 6-5 height CN 6-8 height CN 7-0 height CN 8-0 height</p> | <p>Beige 75 27/32" (1926) 78 11/32" (2012) 82 11/32" (2092) 91 27/32" (2333)</p> | <p>15812976 15812991 15812970 15812992</p> |
|  | <p>Astragal Cap V2649 for Field Service of ELSFD Pre 4/25/16</p> <p>CN 6-5 height CN 6-8 height CN 7-0 height CN 8-0 height</p> <p><i>For OXO configurations.</i></p> | <p>78" (1981) SW 78" (1981) PB 78" (1981) BZ 78" (1981) EG 78" (1981) CS 78" (1981) EB 80 1/2" (2045) SW 80 1/2" (2045) PB 80 1/2" (2045) BZ 80 1/2" (2045) EG 80 1/2" (2045) CS 80 1/2" (2045) EB 84 1/2" (2146) SW 84 1/2" (2146) PB 84 1/2" (2146) BZ 84 1/2" (2146) EG 84 1/2" (2146) CS 84 1/2" (2146) EB 94" (2388) SW 94" (2388) PB 94" (2388) BZ 94" (2388) EG 94" (2388) CS 94" (2388) EB</p> | <p>15812972 15812971 15812973 15812974 15812975 15812977 15812994 15812996 15812984 15812987 15811290 15812978 15812963 15812962 15812964 15812965 15812966 15812967 15812983 15812982 15812997 15812989 15811292 15812979</p> |

| ILLUSTRATION NOT TO SCALE | DESCRIPTION | LENGTH/ COLOR | PART NO. |
|---|--|--|--|
|  | <p>IZ3 Panel Drip Weather Strip V1829 <i>Note: When replacing the IZ3 Panel Drip Weather Strip, it is advised to replace the IZ3 Meeting Stile Fuzzy at the same time (PN 10500284 – located in the Weather Strip section).</i></p> <p>CN 5–0 width CN 6–0 width CN 8–0 width</p> | <p>Beige 29 5/8" (752) 35 5/8" (905) 47 5/8" (1210)</p> | <p>15970650 15970660 15970680</p> |
|  | <p>IZ3 Sill Roller Track V1816</p> <p>CN 5–0 width CN 6–0 width CN 8–0 width</p> <p><i>Handing is from the exterior.</i></p> | <p>Beige 57 15/32" (1460) 69 15/32" (1765) 93 15/32" (2374)</p> | <p>15970750 15970760 15970780</p> |
|  | <p>IZ3 Stationary Retainer A1805 <i>Includes: 5,6 or 8–Header retainer screw, #8x1 1/4" PH, FH</i></p> <p>CN 5–0 width CN 6–0 width CN 8–0 width</p> | <p>Beige 27 1/2" (699) 33 1/2" (851) 45 1/2" (1156)</p> | <p>11896915 11896916 11896917</p> |
|  | <p>IZ3 Exterior Astragal A1703 <i>Includes: 7 or 8 –Interlock screw, #8x1 1/2" PH</i></p> <p>CN 6–5 height CN 6–8 height CN 7–0 height CN 8–0 height</p> | <p>77 1/16" (1957) SW 77 1/16" (1957) PB 77 1/16" (1957) BZ 77 1/16" (1957) EG 77 1/16" (1957) CS 77 1/16" (1957) EB 79 9/16" (2021) SW 79 9/16" (2021) PB 79 9/16" (2021) BZ 79 9/16" (2021) EG 79 9/16" (2021) CS 79 9/16" (2021) EB 83 9/16" (2122) SW 83 9/16" (2122) PB 83 9/16" (2122) BZ 83 9/16" (2122) EG 83 9/16" (2122) CS 83 9/16" (2122) EB 93 1/16" (2364) SW 93 1/16" (2364) PB 93 1/16" (2364) BZ 93 1/16" (2364) EG 93 1/16" (2364) CS 93 1/16" (2364) EB</p> | <p>11896882 11896885 11896894 11896888 11896891 19456665 11896883 11896886 11896895 11896889 11896892 19456668 10880570 10880571 10880572 10880573 10880574 10880575 11896884 11896887 11896896 11896890 11896893 19456680</p> |

| ILLUSTRATION NOT TO SCALE | DESCRIPTION | LENGTH/ COLOR | PART NO. |
|--|--|---|---|
|  | <p>Stile Cover A1222</p> <p>CN 6–5 Locking</p> | <p>31 7/8" (810) SW 31 7/8" (810) PB 31 7/8" (810) BZ 31 7/8" (810) EG 31 7/8" (810) CS 31 7/8" (810) EB</p> | <p>18547065 18547165 18547265 18547365 18546965 18546865</p> |
|  | <p>Mullion Cap Base A363</p> <p>Available replacement screws: 18-#8x5/8" Type A/Tek 2 screws 11800505</p> <p>CN 6–5 height</p> <p>CN 6–8 height</p> <p>CN 7–0 height</p> <p>CN 8–0 height</p> <p><i>For OOX, XOO configurations</i></p> | <p>77 5/8" (1972) SW 77 5/8" (1972) PB 77 5/8" (1972) BZ 77 5/8" (1972) EG 77 5/8" (1972) CS 77 5/8" (1972) EB</p> <p>80 3/32" (2035) SW 80 3/32" (2035) PB 80 3/32" (2035) BZ 80 3/32" (2035) EG 80 3/32" (2035) CS 80 3/32" (2035) EB</p> <p>84 3/32" (2136) SW 84 3/32" (2136) PB 84 3/32" (2136) BZ 84 3/32" (2136) EG 84 3/32" (2136) CS 84 3/32" (2136) EB</p> <p>93 19/32" (2378) SW 93 19/32" (2378) PB 93 19/32" (2378) BZ 93 19/32" (2378) EG 93 19/32" (2378) CS 93 19/32" (2378) EB</p> | <p>159362 159363 159364 18548084 159366 18548765</p> <p>15917367 15917369 15917366 15917370 15917371 15917372</p> <p>15915372 15915371 15915373 15915374 15915376 15915378</p> <p>18548080 18548880 18548081 18548082 18548083 18548780</p> |

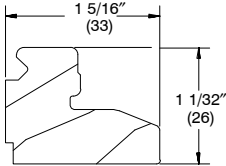
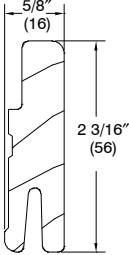
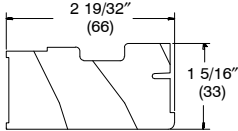
| ILLUSTRATION NOT TO SCALE | DESCRIPTION | LENGTH/ COLOR | PART NO. | |
|---|---|--|--|----------|
|  | Mullion Cap A364 | | | |
| | CN 6–5 height | 76 21/32" (2011) SW 76 21/32" (2011) PB 76 21/32" (2011) BZ 76 21/32" (2011) EG 76 21/32" (2011) CS 76 21/32" (2011) EB | 159462 159463 159464 18548465 159466 18548665 | |
| | CN 6–8 height | 79 5/32" (2011) SW 79 5/32" (2011) PB 79 5/32" (2011) BZ 79 5/32" (2011) EG 79 5/32" (2011) CS 79 5/32" (2011) EB | 15917467 15917469 15917466 15917465 15917464 18548668 | |
| | CN 7–0 height | 83 5/32" (2112) SW 83 5/32" (2112) PB 83 5/32" (2112) BZ 83 5/32" (2112) EG 83 5/32" (2112) CS 83 5/32" (2112) EB | 18548270 18548170 18548370 18548470 18548570 18548670 | |
| | CN 8–0 height <i>For OOX, XOO configurations</i> | 92 21/32" (2353) SW 92 21/32" (2353) PB 92 21/32" (2353) BZ 92 21/32" (2353) EG 92 21/32" (2353) CS 92 21/32" (2353) EB | 18548280 18548180 18548380 18548480 18548580 18548680 | |
| |  | Sill Filler V1874 Field Service | 2" (51) | 15970902 |

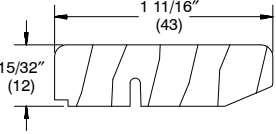
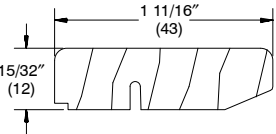
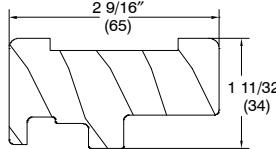
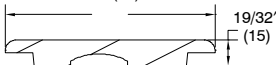
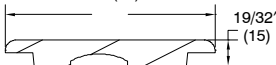
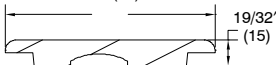
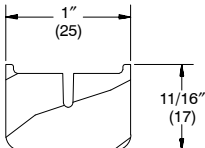
| ILLUSTRATION NOT TO SCALE | DESCRIPTION | LENGTH/ COLOR | PART NO. | |
|---|---|--|--|--|
|  | Screen Stop Astragal Base A362 | | | |
| | CN 6–5 height | 77 5/8" (1972) SW 77 5/8" (1972) PB 77 5/8" (1972) BZ 77 5/8" (1972) EG 77 5/8" (1972) CS 77 5/8" (1972) EB | 159262 159263 159264 15917265 159266 15917365 | |
| | CN 6–8 height | 80 3/32" (2035) SW 80 3/32" (2035) PB 80 3/32" (2035) BZ 80 3/32" (2035) EG 80 3/32" (2035) CS 80 3/32" (2035) EB | 15917267 15917269 15917266 15917270 15917271 15917272 | |
| | CN 7–0 height | 84 3/32" (2136) SW 84 3/32" (2136) PB 84 3/32" (2136) BZ 84 3/32" (2136) EG 84 3/32" (2136) CS 84 3/32" (2136) EB | 15915572 15915571 15915573 15915574 15915576 15915578 | |
| | CN 8–0 height <i>For OXO configurations</i> | 93 19/32" (2378) SW 93 19/32" (2378) PB 93 19/32" (2378) BZ 93 19/32" (2378) EG 93 19/32" (2378) CS 93 19/32" (2378) EB | 18547880 18547780 18547681 18547682 18547683 18547884 | |
| |  | Screen Stop Astragal Cap A361 | | |
| | | CN 6–5 height | 78 9/32" (1988) SW 78 9/32" (1988) PB 78 9/32" (1988) BZ 78 9/32" (1988) EG 78 9/32" (1988) CS 78 9/32" (1988) EB | 18547566 18547565 18547564 18547563 18547562 18547567 |
| | | CN 6–8 height | 80 25/32" (2011) SW 80 25/32" (2011) PB 80 25/32" (2011) BZ 80 25/32" (2011) EG 80 25/32" (2011) CS 80 25/32" (2011) EB | 15917167 15917169 15917166 15917170 15917171 15917172 |
| | | CN 7–0 height | 84 25/32" (2153) SW 84 25/32" (2153) PB 84 25/32" (2153) BZ 84 25/32" (2153) EG 84 25/32" (2153) CS 84 25/32" (2153) EB | 15915172 15915171 15915173 15915174 15915177 15915178 |
| | | CN 8–0 height <i>For OXO configurations</i> | 94 9/32" (2395) SW 94 9/32" (2395) PB 94 9/32" (2395) BZ 94 9/32" (2395) EG 94 9/32" (2395) CS 94 9/32" (2395) EB | 18547680 18547580 18547681 18547682 18547683 18547684 |

| ILLUSTRATION NOT TO SCALE | DESCRIPTION | LENGTH/ COLOR | PART NO. |
|---|-----------------------------------|--|--|
|  | OXXO Astragal Cap A2569 | | |
| | CN 6–5 height | 75 3/8" (1915) SW 75 3/8" (1915) PB 75 3/8" (1915) BZ 75 3/8" (1915) EG 75 3/8" (1915) CS 75 3/8" (1915) EB | 11850165 11850265 11850465 11850565 11850365 11850665 |
| | CN 6–8 height | 77 7/8" (1978) SW 77 7/8" (1978) PB 77 7/8" (1978) BZ 77 7/8" (1978) EG 77 7/8" (1978) CS 77 7/8" (1978) EB | 11850168 11850268 11850468 11850568 11850368 11850668 |
| | CN 7–0 height | 81 7/8" (2080) SW 81 7/8" (2080) PB 81 7/8" (2080) BZ 81 7/8" (2080) EG 81 7/8" (2080) CS 81 7/8" (2080) EB | 11850170 11850270 11850470 11850570 11850370 11850670 |
| | CN 8–0 height | 91 3/8" (2321) SW 91 3/8" (2321) PB 91 3/8" (2321) BZ 91 3/8" (2321) EG 91 3/8" (2321) CS 91 3/8" (2321) EB | 11850180 11850280 11850480 11850580 11850380 11850680 |

When ordering replacement wood parts specify:

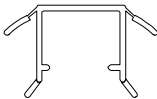
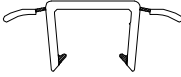
1. Part number;
2. Size;
3. Description.
4. Handing (if applicable)
5. Bare wood or white interior.

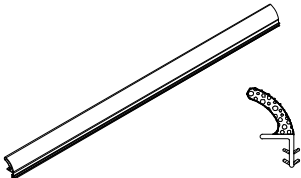
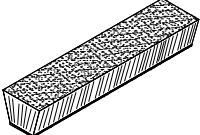
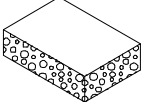
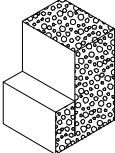
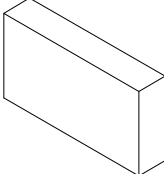
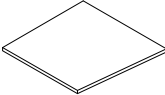
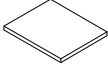

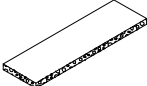
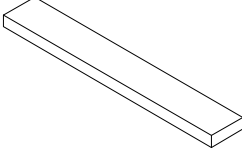
| ILLUSTRATION NOT TO SCALE | DESCRIPTION | LENGTH | BARE WOOD PART NO. | WHITE INTERIOR PART NO. |
|---|--|--|--|--|
|  | <p>Jamb Liner W7623</p> <p><i>Includes:</i> 1–Jamb liner foam gasket, 10500293</p> <p>CN 6–5 height – RH CN 6–5 height – LH CN 6–8 height – RH CN 6–8 height – LH CN 7–0 height – RH CN 7–0 height – LH CN 8–0 height – RH CN 8–0 height – LH</p> | <p>77 3/16" (1961) 79 11/16" (2024) 73 3/16" (1859) 93 3/16" (2367)</p> | <p>11896988 11896985 11896989 11896986 10870270 10870370 11896990 11896987</p> | <p>11896994 11896991 11896995 11896992 10870271 10870371 11896996 11896993</p> |
|  | <p>Sill Liner W10252</p> <p><i>Foam sealant tape included.</i> <i>White interior part is clear lacquered.</i></p> <p>CN 5–0 width CN 6–0 width CN 7–6 width CN 8–0 width CN 9–0 width</p> | <p>58 7/8" (1495) 70 7/8" (1800) 88 3/8" (2245) 94 7/8" (2410) 106 3/8" (2410)</p> | <p>11896918 11896919 10870470 11896920 11896932</p> | <p>11896921 11896922 10870471 11896923 11896933</p> |
|  | <p>Astragal – OXO W7717</p> <p><i>handing is from the exterior</i></p> <p>CN 6–5 height RH CN 6–5 height LH CN 6–8 height RH CN 6–8 height LH CN 7–0 height RH CN 7–0 height LH CN 8–0 height RH CN 8–0 height LH</p> | <p>77 5/16" (1964) 79 13/16" (2028) 83 13/16" (2129) 93 9/16" (2370)</p> | <p>31517565 31517566 31517568 31517569 31517570 31517571 31517580 31517581</p> | <p>39227565 39227566 39227568 39227569 39227570 39227571 39227580 39227581</p> |

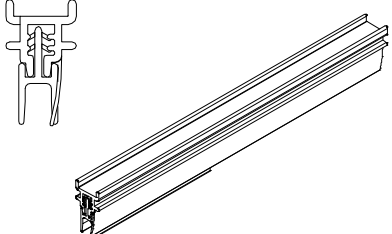
| ILLUSTRATION NOT TO SCALE | DESCRIPTION | LENGTH | BARE WOOD | WHITE INTERIOR |
|---|--|--|--|--|
|  | <p>Astragal Trim – OXO W7718–06/2011 to 4/25/16</p> <p><i>Connecting barb (V803) included.</i></p> <p>CN 6–5 height CN 6–8 height CN 7–0 height CN 8–0 height</p> | <p>75 1/4" (1911) 77 3/4" (1975) 81 3/4" (2076) 91 9/32" (2318)</p> | <p>11880165 11880168 11880170 11888180</p> | <p>11880265 11880268 11880270 11888280</p> |
|  | <p>Astragal Trim – OXO W7718–pre 06/2011</p> <p><i>Connecting barb (V803) included.</i></p> <p>CN 6–5 height CN 6–8 height CN 8–0 height</p> | <p>75 15/16" (1929) 78 7/16" (1992) 91 31/32" (2336)</p> | <p>31506565 31506568 31517680</p> | <p>39206565 39206568 39227680</p> |
|  | <p>IZ3 Interior Astragal W10197</p> <p><i>Includes IZ3 Interior Astragal cap and 12– #8x2.5" SS PH, FH screws.</i></p> <p>CN 6–5 height CN 6–8 height CN 7–0 height CN 8–0 height</p> | <p>74 13/16" (1900) 77 5/16" (1964) 81 5/16" (2065) 90 13/16" (2307)</p> | <p>11896924 11896925 10890770 11896926</p> | <p>11896927 11896928 10890771 11896929</p> |
|  | <p>OXO Interior Astragal W10197</p> <p><i>Includes IZ3 Interior Astragal cap and 12– #8x2.5" SS PH, FH screws.</i></p> <p>CN 8–0 height</p> | <p>90 31/32" (2311)</p> | <p>10800180</p> | <p>10800181</p> |
|  | <p>IZ3 Interior Astragal Cap W10324</p> <p>CN 6–5 height CN 6–8 height CN 7–0 height CN 8–0 height</p> | <p>74 13/16" (1900) 77 5/16" (1964) 81 5/16" (2065) 90 13/16" (2307)</p> | <p>31515865 31515868 31515870 31515880</p> | <p>39225865 39225868 39225870 39225880</p> |
|  | <p>OXO Interior Astragal Cap W10324</p> <p>CN 8–0 height</p> | <p>90 31/32" (2307)</p> | <p>31515890</p> | <p>39225890</p> |
|  | <p>Interior Mullion Trim W7719</p> <p><i>For XO0 or OOX configurations</i></p> <p>CN 6–5 height CN 6–8 height CN 7–0 height CN 8–0 height</p> | <p>77 1/4" (1962) 79 3/4" (2026) 83 3/4" (2127) 93 1/4" (2369)</p> | <p>31517765 31517768 31517770 31517780</p> | <p>39227765 39227768 39227770 39227780</p> |

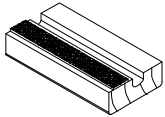
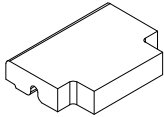


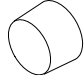


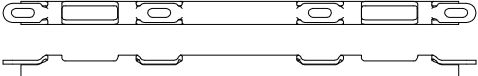


When ordering replacement weatherstrip specify:

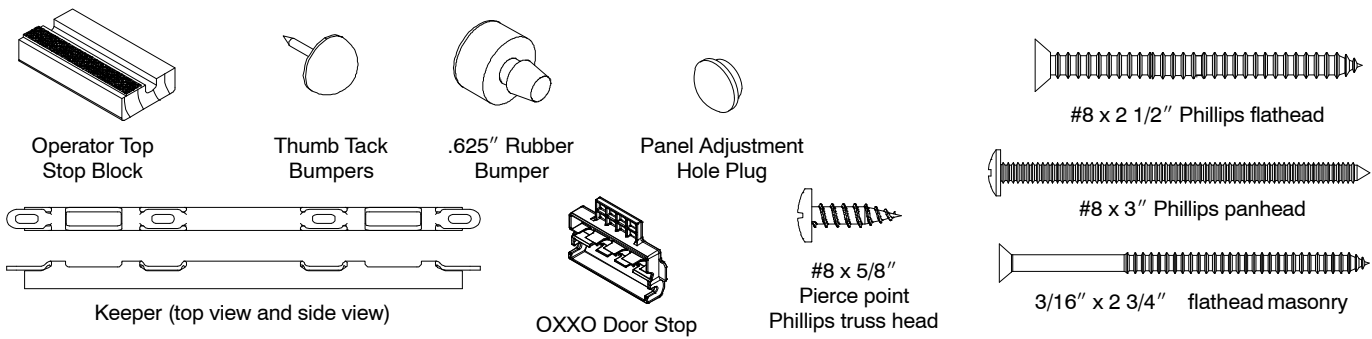
1. Quantity;
2. Profile number;
3. Part number;
4. Size;
5. Description.

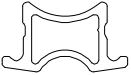
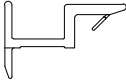
| ILLUSTRATION <i>NOT TO SCALE</i> | DESCRIPTION | LENGTH/ COLOR | PART NO. |
|---|---|--|--|
|  | Head Jamb Parting Stop Weather Strip V735 CN 5-0 width CN 6-0 width CN 7-6 width CN 8-0 width CN 9-0 width | Beige 57 15/32" (1460) 69 15/32" (1765) 86 1/32" (2185) 93 15/32" (2374) 104 1/32" (2643) | 15916450 15916455 15916477 15916481 15916495 |
| | Jamb Parting Stop Weather Strip V735 CN 6-5 height CN 6-8 height CN 7-0 height CN 8-0 height | Beige 78" (1981) 80 1/2" (2045) 84 1/2" (2146) 94" (2388) | 15916466 15916469 15916470 15916480 |
|  | OXXO Sill Parting Stop Weather Strip V2396 CN 10-0 width CN 12-0 width CN 16-0 width | Beige 114 7/8" (2918) 138 7/8" (3527) 186 7/8" (4747) | 15978010 15978012 15978016 |
| | OXXO Jamb Parting Stop Weather Strip V2396 CN 6-5 height CN 6-8 height CN 7-0 height CN 8-0 height | Beige 76 13/16" (1951) 79 5/16" (2015) 83 5/16" (2116) 92 13/16" (2357) | 15970065 15970068 15970070 15970080 |

| ILLUSTRATION NOT TO SCALE | DESCRIPTION | LENGTH/ COLOR | PART NO. |
|---|---|---|---|
|  | <p>Sill Weather Strip V1194</p> <p>CN 5-0/7-6 width CN 6-0/9-0 width CN 8-0 width</p> | <p>29 15/16" (760) 35 15/16" (913) 47 15/16" (1218)</p> | <p>15971850 15971860 15971880</p> |
|  | <p>Meeting Stile Fuzzy, IZ3 7/16"x1/2" (11x13) <i>Adhesive backed</i></p> | <p>Beige</p> | <p>10500284</p> |
|  | <p>Jamb / Sill Plug 1 1/8"x13/16"x5/16" (29x21x8) <i>Adhesive backed</i></p> | <p>Beige</p> | <p>10500136</p> |
|  | <p>Interlock Foam Block 1 1/2"x1 1/8"x1" (38x29x25) <i>Adhesive backed</i></p> | <p>Beige</p> | <p>10500270</p> |
|  | <p>Stationary Interlock Foam Block 1 5/8"x 7/8"x 5/16" (41x22x8) <i>Adhesive backed</i></p> | <p>Beige</p> | <p>10500289</p> |
|  | <p>Leveling Block to Jamb Gasket 1 3/4" x 1 5/8" x 1/16" (44 x 41 x 2) <i>Adhesive backed</i></p> | <p>Beige XO OX</p> | <p>10501130 10501131</p> |
|  | <p>Interlock to Sill Gasket 7/8" x 1 1/16" x 1/16" (22 x 27 x 2) <i>Adhesive backed</i></p> | <p>Beige</p> | <p>10501135</p> |
|  | <p>Astragal Plug 1 1/8" x 7/16" x 1/2" (29x11x13)</p> | <p>Beige</p> | <p>10500162</p> |
|  | <p>Astragal Gasket 7/8" x 3" x 3/16" (22x76x5)</p> | <p>GY</p> | <p>10500164</p> |
|  | <p>Frame Sealant, Foam, Sill Liner 1/16" x 3/8" <i>Adhesive backed</i> <i>Part is sold by LF – please specify length</i></p> | <p>Gray</p> | <p>10500142</p> |

| ILLUSTRATION NOT TO SCALE | DESCRIPTION | COLOR | PART NO. |
|---|--|---|---|
|  | <p>Screen Roller Guide Assembly <i>For XO/OX, XOO/ OOX, and OXO configurations only.</i></p> | <p>CN 5-0/7-6 CN 6-0/9-0 CN 8-0</p> | <p>15918050 15918060 15918080</p> |

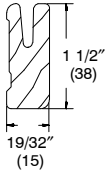
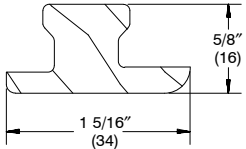
| ILLUSTRATIONS – NOT TO SCALE | | | |
|---|---|---|--|
|  Operator Top Stop Block |  Operator Sill Stop Block |  Thumb Tack Bumpers |  Panel Adjustment Hole Plug |
| | |  Wood Flat Plugs |  #8 x 3" Phillips panhead |
| | | |  #10 x 1 1/2" Phillips panhead |
|  Keeper (top view and side view) | |  Door Stop |  3/16" x 2 3/4" flathead masonry |
| DESCRIPTION | OPER./COLOR | PART NO. | |
| Operator Top Stop Block (EA) | BA WH | 11900315 39240315 | |
| Operator Sill Stop Block (EA) | BA WH | 11900320 39240320 | |
| Thumb Tack Bumpers (EA) | | 02101000 | |
| Panel Adjustment Hole Plug (EA) <i>Available in Bare (BA), Pre-finished (WH) and Clear Lacquered (CL)</i> | BA WH CL | 01060619 39200619 31660619 | |
| Wood Flat Plugs (EA) | | 02074844 | |
| Door Stop (EA) | | 11872001 | |
| Sliding French Door – Installation Package <i>Includes:</i> 1 – Operator top stop block (not included with OOX or XOO configurations) 1 – Operator sill stop block 2 – Thumb tack bumpers 1 – Door stops (included with OOX and XOO configurations) 2 – Panel adjustment hole plugs 1 – 3/8" Wood flat plugs (2 on 3 wide units) 7,10 or 11 – #8 x 3" Phillips panhead screws –pearl white 4 – #10 x 1 1/2" Phillips panhead screws (used on OXO configurations) 1 or 2 – 3/16" x 2 3/4" flathead masonry screws (to fasten through sill liner into floor) 1 – Keeper (10506788) 1 – General Sliding Door installation instruction(19970227) 1 – ELSFD Supplemental installation instruction(19970101) 1 – Nailing fin corner gasket set 1 – Warranty Kit | OX/XO BA OX/XO WH OXO BA OXO WH OOX/XOO BA OOX/XOO WH | 11896530 39256530 11896532 39256532 11896534 39256534 | |
| Coastal Sliding French Door – Nail Fin Installation Kit <i>Includes:</i> 1 – Operator top stop block (not included with OOX or XOO configurations) 1 – Operator sill stop block 2 – Thumb tack bumper 1 – Door stops pair(included with OOX and XOO configurations) 2 – Panel adjustment hole plugs 1 – 3/8" Wood flat plugs (2 on 3 wide units) 5 or 6 – #8 x 3" Panhead screws – pearl white 4 – #8 x 3" Panhead screws – stainless steel 4 – #10 x 1 1/2" Phillips panhead screws (used on OXO configurations) 1 or 2 – 3/16" x 2 3/4" Flat head masonry screws (to fasten through sill liner into floor) 1 – Keeper (10506789) 1 – General Sliding Door instruction(19970227) 1 – ELSFD Supplemental installation instruction(19970101) 1 – Nailing fin corner gasket set | OX/XO BA OX/XO WH OXO BA OXO WH OOX/XOO BA OOX/XOO WH | 11896536 39256536 11896538 39256538 11896539 39256539 | |

| ILLUSTRATIONS – NOT TO SCALE | | |
|---|--------------------|----------------------|
|  | | |
| DESCRIPTION | OPER./COLOR | PART NO. |
| OXXO Sill Door Stop <i>Includes:</i> 1 – .625" Rubber bumper | Beige | 11801489 |
| .625" Rubber Bumper | Black | 2101075 |
| OXXO Sliding French Door – Installation Package <i>Includes:</i> 2 – Operator top stop blocks 2– Sill door stops 2 – Rubber bumpers 2 – Thumb tack bumpers 4 – Panel adjustment hole plugs 14 – #8 x 3" Phillips panhead screws – pearl white 5 – #8 x 2 1/2" Phillips flathead screws – white 16 – #8 x 5/8" Pierce point Phillips truss head screws – beige 3 – 3/16" x 2 3/4" flathead masonry screws (to fasten through Ultrex sill foot into floor) 1 – Keeper (10506788) 1 – General Sliding Door installation instruction(19970227) 1 – ELSFD Supplemental installation instruction(19915405) 1 – Nailing fin corner gasket set 1 – Warranty Kit | OXXO BA OXXO WH | 11896142 11896143 |


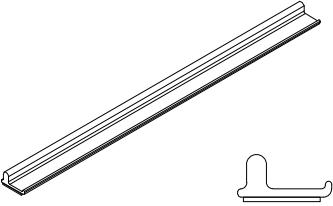
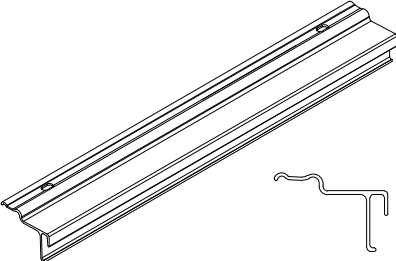
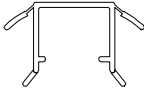

| ILLUSTRATION <i>NOT TO SCALE</i> | DESCRIPTION | LENGTH/ COLOR | PART NO. |
|---|--|---|--|
|  | <p>Leveling Block Insert V2343</p> <p>CN 10-0 width CN 12-0 width CN 16-0 width</p> | <p>Black</p> <p>14" (356) 17" (432) 23" (584)</p> | <p>Discontinued, replaced by A2280</p> |
|  | <p>Stationary Panel Interlock V1181</p> <p><i>Usage: 11/2004 to 3/2009</i></p> | <p>Discontinued Replace with V1855</p> | |

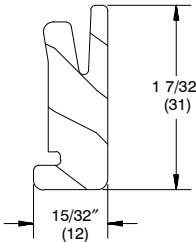
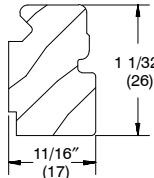
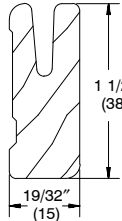
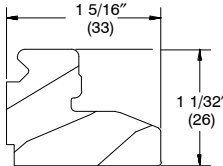
When ordering replacement wood parts specify:

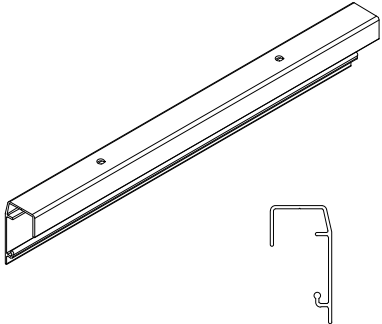
1. Part number;
2. Size;
3. Description.
4. Handing (if applicable)
5. Bare wood or white interior.

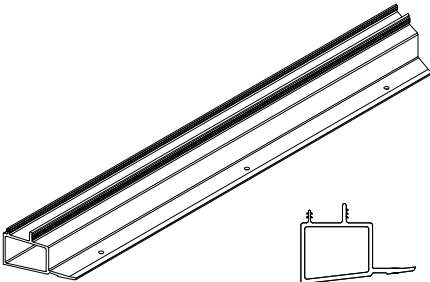
| ILLUSTRATION <i>NOT TO SCALE</i> | DESCRIPTION | LENGTH | BARE WOOD PART NO. | WHITE INTERIOR PART NO. |
|---|---|----------------------------------|--------------------------|-------------------------------|
|  | <p>Oak Sill Liner W2528</p> | Discontinued replace with W10252 | | |
|  | <p>Stile Wood Filler W8578</p> | Discontinued replace with W12671 | | |

ATTENTION: This section contains part and part numbers for current parts whose length changed due to the March 1, 2004 door size change. This section pertains only to units manufactured before this date. Discontinued parts can be found in the previous section. For more detailed descriptions of these parts, see the main parts sections.

| ILLUSTRATION NOT TO SCALE | DESCRIPTION | LENGTH/ COLOR | PART NO. |
|---|--|---|---|
|  | <p>Operator Panel Drip V1176 CN 6-0/9-0 width</p> | <p>Beige 35 5/8" (905)</p> | <p>15917590</p> |
|  | <p>Sill Roller Track V1017 CN 6-0/9-0 OXO width CN 9-0 OOX, XOO width <i>Handing is from the exterior.</i></p> | <p>Beige 70 15/32" (1790) 106 15/32" (2704)</p> | <p>15979460 15979490</p> |
|  | <p>Aluminum Panel Guide A1223 <i>Includes:</i> 1-Panel guide 7-#8x5/8" Phillips self tapping panhead screws</p> <p>CN 6-0 CN 9-0 OOX, XOO CN 9-0 OXO*</p> <p>* Requires both the 9-0 OXO and the 6-0 part</p> | <p>PW 69 1/4" (1759) 105 1/4" (2673) 34 11/64" (868)</p> | <p>18546060 18546095 18546090</p> |
|  | <p>Head Jamb Parting Stop Weatherstrip V735 CN 6-0 width CN 9-0 width</p> | <p>Beige 70 15/32" (1790) 106 15/32" (2704)</p> | <p>15916460 15916490</p> |
|  | <p>Sill Weatherstrip V1194 CN 6-0/9-0 width</p> | <p>36 15/16" (938)</p> | <p>15971890</p> |

| ILLUSTRATION NOT TO SCALE | DESCRIPTION | LENGTH | BARE WOOD PART NO. | WHITE INTERIOR PART NO. |
|---|--|--|--|--|
|  | Panel Guide W8566 CN 6-0 width CN 9-0 width | 69 5/16" (1761) 105 5/16" (2675) | 31518760 31518795 | 39228760 39228795 |
|  | Head Jamb Liner W8565 CN 6-0 width CN 9-0 width | 71 7/8" (1826) 107 7/8" (2740) | 31518660 31518690 | 39228660 39228690 |
|  | Oak Sill Liner W2528 <i>Adhesive tape included.</i> CN 6-0 width CN 9-0 width | 71/8" (1867) 107 7/8" (2740) | 31518360 31518390 | Not Applicable |
|  | Jamb Liner W7623 prior to 6/2011 CN 6-5 height CN 6-8 height CN 8-0 height | 77 3/16" (1961) 79 11/16" (2024) 93 3/16" (2367) | 31518465 31518468 31518480 | 39228465 39228468 39228480 |

| ILLUSTRATION NOT TO SCALE | DESCRIPTION | COLOR | PART NO. |
|---|--|---------------------------------------|---|
|  | <p>Head Jamb Screen Track A1237</p> | | |
| | <p><i>Includes:</i> 1 - Head jamb screen track 6 - #8x5/8" Phillips self tapping undercut trusshead screws 11800862</p> | | |
| | <p>CN 6-0 70 17/32" (1792)</p> | <p>SW PB</p> | <p>18547260 18547360</p> |
| | <p>CN 9-0 106 17/32" (2706)</p> | <p>SW PB</p> | <p>18547290 18547390</p> |

| ILLUSTRATION NOT TO SCALE | DESCRIPTION | LENGTH/ COLOR | PART NO. |
|---|---|--|---|
|  | <p>Stationary Panel Leveling Block V1171</p> <p><i>Includes:</i> 1–Leveling Block 7–#8x5/8" Phillips self tapping trusshead screws, beige, 11800862</p> <p><i>Need to order leveling block end cap and Stationary interlock, and 2" sill filler.</i></p> <p>CN 6–0/9–0 OXO width CN 9–0 OOX, XOO width RH CN 9–0 OOX, XOO width LH <i>Handing is from the exterior.</i></p> | <p>34 1/4" (869) 36 3/4" (933) 36 3/4" (933)</p> | <p>No longer Available</p> <p>Refer to the Field Service Kits for Panel Replacement section for details</p> |