

ELEVATE INSWING FRENCH DOOR

Table of Contents

	PAGE
History	2
Part Identification	
Two Panel Operator XX	3
Two Panel Operator XX – HP/IZ3	4
Two Panel Operator XO/OX	5
Two Panel Operator XO/OX – HP/IZ3	6
Single Panel Stationary	7
Single Panel Stationary – HP/IZ3	8
Single Panel Operator X	9
Single Panel Operator X – HP/IZ3	10
Parts	
Hardware	12
Fasteners	21
Aluminum Parts	22
Weather Strip and Vinyl	24
Installation Packages	28
Panel Replacement	29
Screen Replacement	30
Screen Parts	32
Discontinued Parts	
Discontinued Hardware – Limited Availability (LA)	40
Discontinued Fasteners – Limited Availability (LA)	43
Discontinued Aluminum – Limited Availability (LA)	44
Discontinued Weather Strip and Vinyl – Limited Availability (LA)	45
Discontinued Panel Replacement	49
Discontinued Screen Replacement	50
Discontinued Screen Parts – Limited Availability (LA)	52
Discontinued Hardware – No Availability (NA)	55
Discontinued Wood Parts – No Availability (NA)	58

NOTE: For door transom information see Round Top/Polygon chapter.

NOTE: For replacement parts of components produced prior to 03/01/2004, contact your Marvin Representative for assistance.

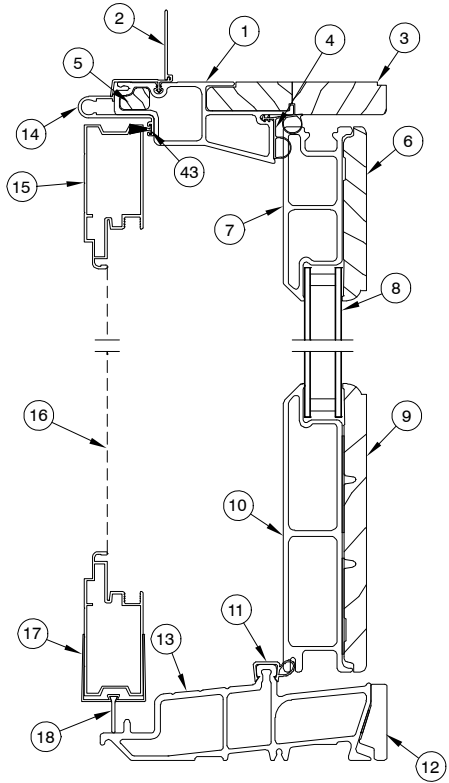
ATTENTION:

- Specification and technical data are subject to change without notice.
- Numbers listed in parentheses () are metric equivalents in millimeters rounded to the nearest whole number.

PRODUCED	UNIT TYPE	FEATURES OR CHANGES	DISCONTINUED
June 1999	Swinging Door	Unit features 3/4" insulating Low E II tempered glass with Argon, mortise style multi-point locking system, keyed brass handle, 4 9/16" and 6 9/16" depths; adjustable hinges, solid wood interior, oak sill liner and an optional top hung or swinging color matched screen (depending on configuration). The Integrity Swinging Door is available in one panel (2668, 3068) stationary or operator and two panel (5068, 6068) center hinged configurations. Factory mulling is available (depending on configuration).	Present
June 1999	Swinging Door	Pultruded fiberglass (Ultrex) one piece frame in white or pebble gray.	February 2002
September 1999	Swinging Door	Temporarily substituted current Venise style handle with Capri style handle from 9/21/99 to 11/8/99.	November 1999
May 2000	Swinging Door	Redesigned sill strike to incorporate a weep system and eliminate the weep in the center of the sill.	Present
December 2000	Swinging Door	5 5/16" jamb extension no longer available.	Present
March 2001	Swinging Door	Added white interior finish.	Present
April 2001	Swinging Door	"Through the jamb" installation introduced. Pre-drilled holes located at top and bottom of jambs. Included is a kit with necessary screws and color matched plugs.	Present
February 2002	Swinging Door	Stone White replacing Arctic White as a standard color effective Feb. 4. Arctic White replacement parts available through the warranty period.	Present
May 2003	Swinging Door	Pebble and Stone White screens now both use new screen profile. A213 roller bar and A214 head jamb screen track now obsolete. Replaced with integral roller bar on panel and A2137 head jamb screen track. Effective 5/6/03. See Screen and Screen Parts section for more details.	Present
March 2004	Inswing French Door	Name change from Integrity Swinging Door to "Integrity Inswing French Door" consistent with Marvin door nomenclature.	Present
March 2004	Inswing French Door	Standard 6-0 door width changed from 73" to 72" opening. Effective 3/1/04.	Present
March 2004	Inswing French Door	Two panel XX configuration and pebble exterior/white interior GBGs added on 3/1/04.	Present
January 2005	Inswing French Door	Added Oil Rubbed Bronze and Satin Nickel as standard hardware options. Added Gray, Brown, and White hinges as field applied options. Effective 1/17/05	Present
July 2006	Inswing French Door	SDL offered on all Wood/Ultrex Series windows and doors. 7/8" wide bars with Ultrex exterior and wood interior. See Product Bulletin 66 for more details.	Present
September 2006	Inswing French Door	Prairie SDL and GBG Lite cuts made available for the Wood/Ultrex Series windows and doors. See Product Bulletin 70 for more details.	Present
March 2007	Inswing French Door	Bronze exteriors introduced. New handle set, using the new Outswing French door handle set. Changed multipoint lock to use new Outswing French Door lock.	Present
November 2007	Inswing French Door	Evergreen exteriors introduced.	Present
March 2008	Inswing French Door	Cashmere exteriors introduced March 17, 2008.	Present
July 2008	Inswing French Door	Cottage SDL lite cut made available for Wood-Ultrex. Refer to product bulletin #99.	Present
May 2009	Inswing French Door	LoE ³ 366™ glass option introduced. Call number sizes 2-8 and 5-4 added.	Present
August 2009	Inswing French Door	Design changes include double bulb weather strip at sill (also at astragal on XX configurations), a rigid sill ramp and a header strike plate.	Present

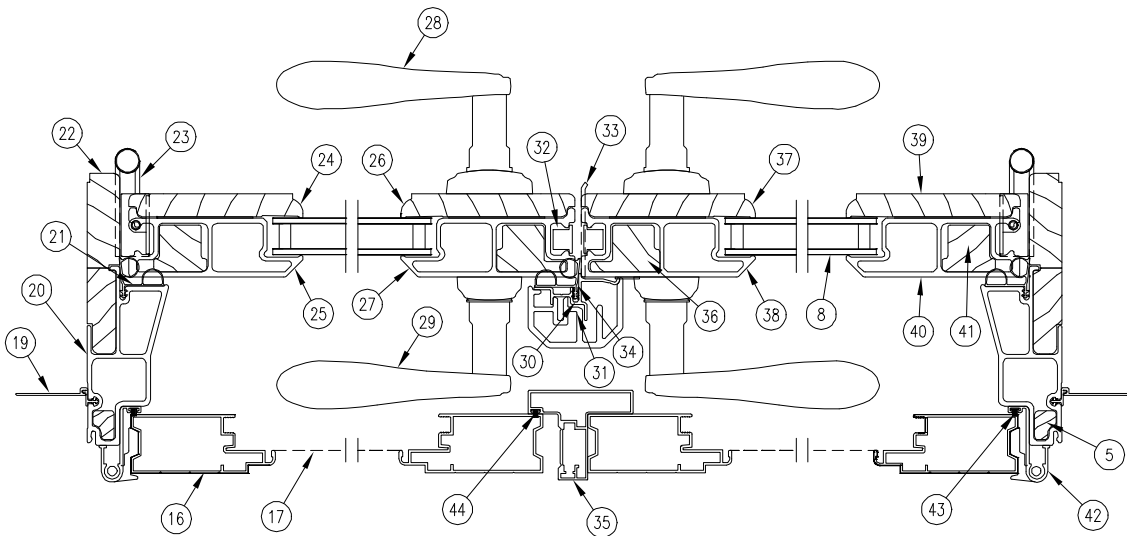
PRODUCED	UNIT TYPE	FEATURES OR CHANGES	DISCONTINUED
January 2010	Inswing French Door	Introduced the new grille tack and installation tool and added to the accessory chapter. Header strike screw was changed from #6 to #8.	Present
February 2010	Inswing French Door	Header strike screw was changed from #6 to #8. Introduced new non handed hinge design.	Present
July 2012	Inswing French Door	July 30, 2012: Stationary Panel Setting Block replaced with V2055 Standing Block.	Present
August 2012	Inswing French Door	August 27, 2012: Introduced Wood-Ultrex Ebony exterior and exterior casing options.	Present
April 2014	Inswing French Door	April 28, 2014: Interior and Exterior Split Finish option became available so customers could choose different colors between exterior and interior handles. All current handle styles were given the name Cambridge. Handles are no longer available in sets. Introduced Special Size Door options. An addition of a CN 7-0 height option, available in 1/64" increments.	Present
October 2014	Inswing French Door	October 27, 2014: Added Northfield hardware handle sets.	Present
August 2016	Inswing French Door	August 29, 2016: Introduced G3 IIFD, IIFD HP, IIFD IZ3 products; Discontinued IIFD G2 production; Cambridge exterior escutcheon width reduced; New hinge release; added ORB hinge option, Bronze Sill / Dark Weatherstrip package release; Impact SDLS option release. Arctic White frame parts no longer available for field service. Discontinued ISD frame components (pre-2004).	Present
October 2017	Inswing French Door	October 30, 2017 Added availability to add locking handle to secondary panel.	Present
December 2017	Inswing French Door	December 18, 2017 Added availability of customer specified divided lite cuts for SDL with and with out spacer bar and GBG. To include simulated check rail and allow any color GBG to the exterior only of standard and special sized units.	Present
August 2018	Inswing French Door	August 27, 2018 – Updated the Screen Roller Guide Assembly to Screen Roller Guide – V2932. The new screen Roller Guide can be used on all doors manufactured on or after 8/29/2016.	Present
October 2018	Inswing French Door	October 22, 2018 – Updated header and sill strike plates on XX units to a one-piece strike plate. The new strike can be used on all doors manufactured on or after 8/29/2016. October 29, 2018 – Introduced Designer Black and Clear interior finishes and Matte Black (MBK) hardware option. Replaced Oak Sill Liner W12710 with V2736, HP/IZ3 W12496 with V2960 and W2528 with V2935. All products will use the new Cellular PVC sill liner in place of the Oak. Low E3 ERS glass type was added.	Present
December 2018	Inswing French Door	December 17, 2018: Introduced textured glass types: Obscure, Reed, Narrow Reed, Rain, Glue Chip and Frost and also colored glass types: Clear, Bronze, Gray and Green.	Present
December 2019	Inswing French Door	December 16, 2019: Discontinued the sale of Wood Removable Grilles.	Present

2 PANEL OPERATOR XX



**Head Jamb
and Sill Detail**

1. Head Jamb (Ultrex)
2. Head Jamb Nailing Fin/Drip Cap
3. Head Jamb Liner
4. Head Jamb Weather Strip
5. Screen Z-bar Backer
6. Top Rail
7. Top Rail (Ultrex)
8. Insulating Glass
9. Bottom Rail
10. Bottom Rail (Ultrex)
11. Sill Weather Strip
12. Sill Liner
13. Sill (Ultrex)
14. Z-bar Channel
15. Swinging Screen Frame
16. Screen Mesh
17. Screen Frame Extender
18. Screen Sweep
19. Jamb Nailing Fin
20. Jamb (Ultrex)
21. Jamb Weather Strip
22. Jamb Liner
23. Adjustable Hinge
24. Primary Hinge Stile
25. Primary Hinge Stile (Ultrex)
26. Primary Locking Stile
27. Primary Locking Stile (Ultrex)
28. Interior Handle
29. Exterior Handle
30. Astragal Base
31. Astragal
32. Multi-point Lock
33. Secondary Strike Plate
34. Astragal Weather Strip
35. Screen Astragal
36. Locking Stile Backer
37. Secondary Locking Stile
38. Secondary Locking Stile (Ultrex)
39. Secondary Hinge Stile
40. Secondary Hinge Stile (Ultrex)
41. Hinge Stile Backer
42. Z-bar Screen Hinge
43. Pile, Door Screen (Swinging)
44. Screen Astragal Weather Strip

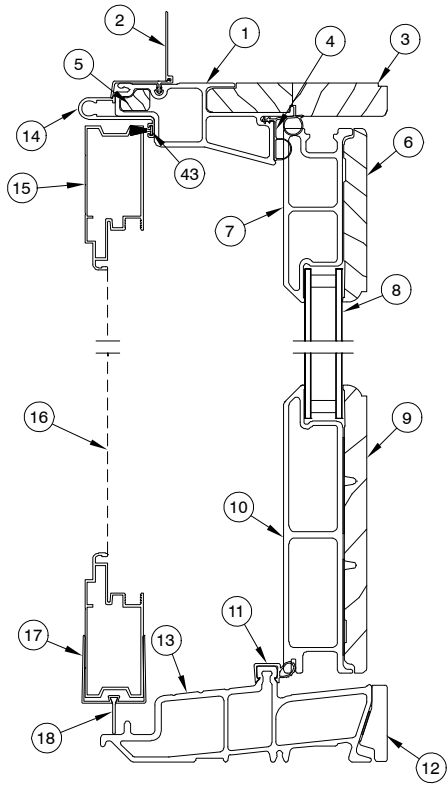


Jamb Detail

NOTE: XX-L Configuration Shown

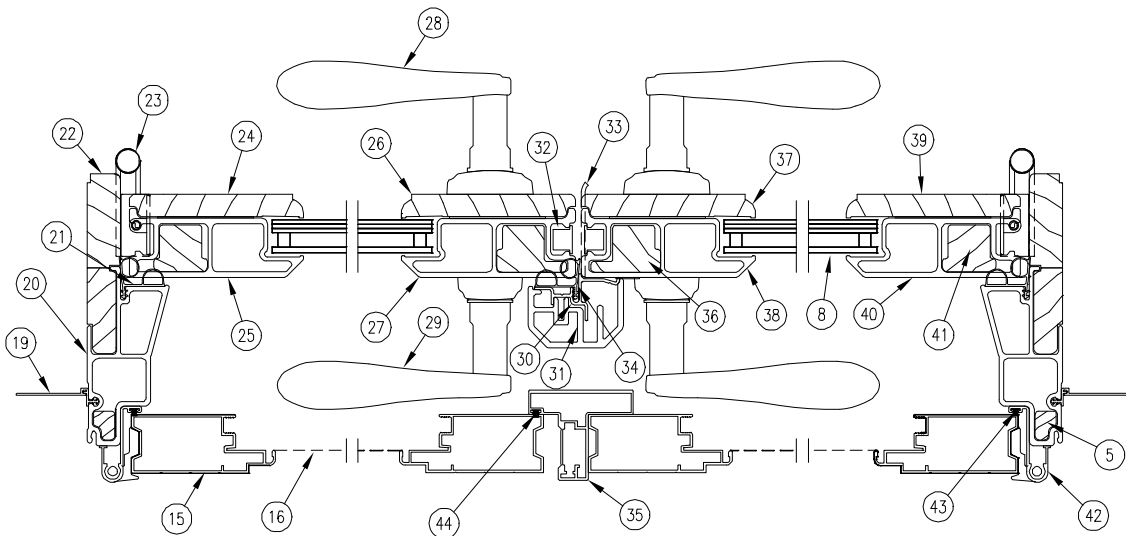
NOTE: Not to scale; specifications subject to change without notice.

2 PANEL OPERATOR XX – HP/IZ3



**Head Jamb
and Sill Detail**

1. Head Jamb (Ultrax)
2. Head Jamb Nailing Fin/Drip Cap
3. Head Jamb Liner
4. Head Jamb Weather Strip
5. Screen Z-bar Backer
6. Top Rail
7. Top Rail (Ultrax)
8. Insulating Glass
9. Bottom Rail
10. Bottom Rail (Ultrax)
11. Sill Weather Strip
12. Sill Liner
13. Sill (Ultrax)
14. Z-bar Channel
15. Swinging Screen Frame
16. Screen Mesh
17. Screen Frame Extender
18. Screen Sweep
19. Jamb Nailing Fin
20. Jamb (Ultrax)
21. Jamb Weather Strip
22. Jamb Liner
23. Adjustable Hinge
24. Primary Hinge Stile
25. Primary Hinge Stile (Ultrax)
26. Primary Locking Stile
27. Primary Locking Stile (Ultrax)
28. Interior Handle
29. Exterior Handle
30. Astragal Base
31. Astragal
32. Multi-point Lock
33. Secondary Strike Plate
34. Astragal Weather Strip
35. Screen Astragal
36. Locking Stile Backer
37. Secondary Locking Stile
38. Secondary Locking Stile (Ultrax)
39. Secondary Hinge Stile
40. Secondary Hinge Stile (Ultrax)
41. Hinge Stile Backer
42. Z-bar Screen Hinge
43. Pile, Door Screen (Swinging)
44. Screen Astragal Weather Strip

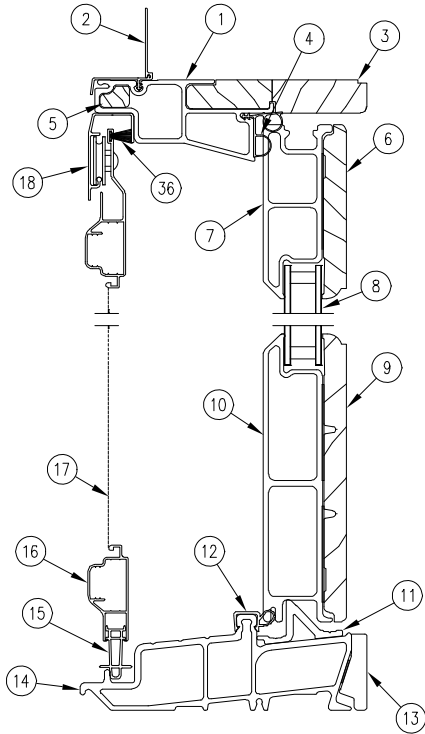


Jamb Detail

NOTE: XX-L Configuration Shown

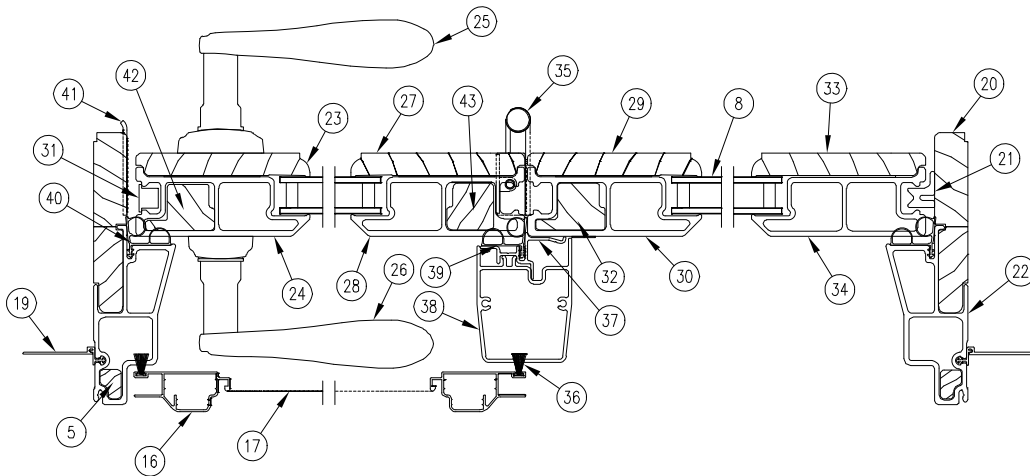
NOTE: Not to scale; specifications subject to change without notice.

2 PANEL OPERATOR XO/OX



**Head Jamb
and Sill Detail**

1. Head Jamb (Ultrax)
2. Head Jamb Nailing Fin/Drip Cap
3. Head Jamb Liner
4. Head Jamb Weather Strip
5. Screen Track Backer
6. Top Rail
7. Top Rail (Ultrax)
8. Insulating Glass
9. Bottom Rail
10. Bottom Rail (Ultrax)
11. Sill Retainer
12. Sill Weather Strip
13. Sill Liner
14. Sill (Ultrax)
15. Screen Roller Guide – V2932
16. Sliding Screen Frame
17. Screen Mesh
18. Screen Top Hanger
19. Jamb Nailing Fin
20. Jamb
21. Stationary Panel Retainer
22. Jamb (Ultrax)
23. Primary Locking Stile
24. Primary Locking Stile (Ultrax)
25. Interior Handle
26. Exterior Handle
27. Primary Hinge Stile
28. Primary Hinge Stile (Ultrax)
29. Stationary Hinge Stile
30. Stationary Hinge Stile (Ultrax)
31. Multi-point Lock
32. Hinge Backer Panel Insert
33. Stationary Jamb Stile
34. Stationary Jamb Stile (Ultrax)
35. Adjustable Hinge
36. Pile, Door Screen (Sliding)
37. Mull Post Base
38. Mull Post
39. Mull Post Weather Strip
40. Jamb Weather Strip
41. Jamb Strike Plate
42. Lock Backer Panel Insert
43. Hinge Backer Panel Insert

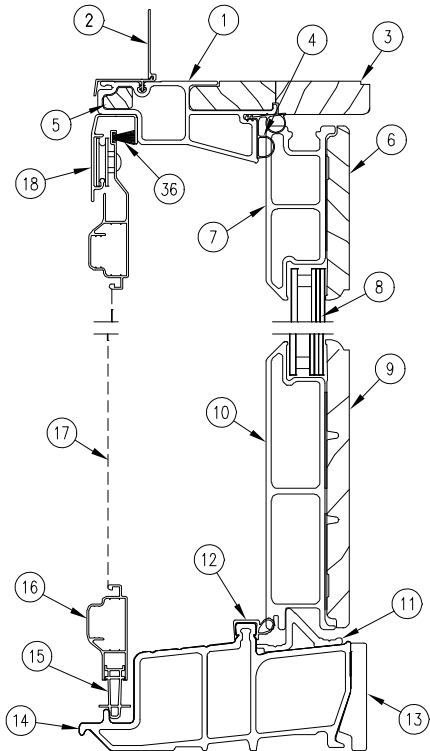


Jamb Detail

NOTE: XO Configuration Shown

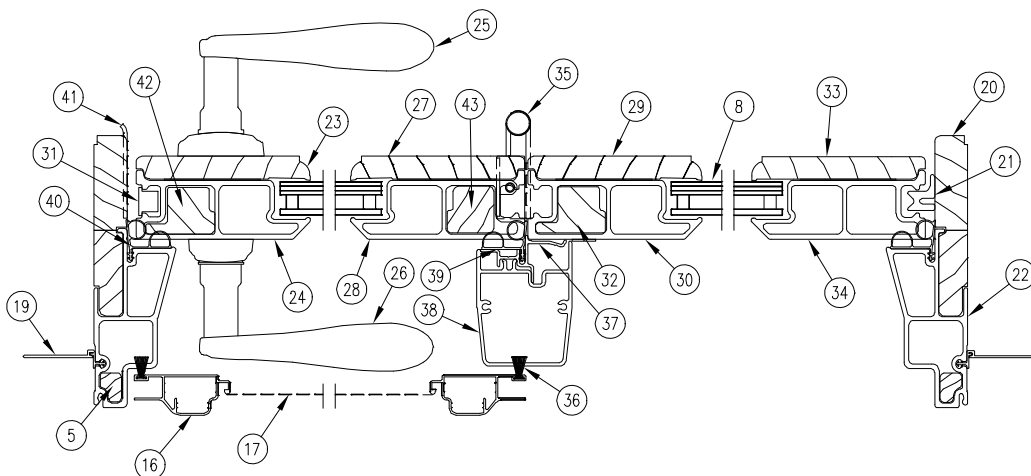
NOTE: Not to scale; specifications subject to change without notice.

2 PANEL OPERATOR XO/OX – HP/IZ3



**Head Jamb
and Sill Detail**

1. Head Jamb (Ultrex)
2. Head Jamb Nailing Fin/Drip Cap
3. Head Jamb Liner
4. Head Jamb Weather Strip
5. Screen Track Backer
6. Top Rail
7. Top Rail (Ultrex)
8. Insulating Impact Glass
9. Bottom Rail
10. Bottom Rail (Ultrex)
11. Sill Retainer
12. Sill Weather Strip
13. Sill Liner
14. Sill (Ultrex)
15. Screen Roller Guide – V2932
16. Sliding Screen Frame
17. Screen Mesh
18. Screen Top Hanger
19. Jamb Nailing Fin
20. Jamb
21. Stationary Panel Retainer
22. Jamb (Ultrex)
23. Primary Locking Stile
24. Primary Locking Stile (Ultrex)
25. Interior Handle
26. Exterior Handle
27. Primary Hinge Stile
28. Primary Hinge Stile (Ultrex)
29. Stationary Hinge Stile
30. Stationary Hinge Stile (Ultrex)
31. Multi-point Lock
32. Hinge Backer Panel Insert
33. Stationary Jamb Stile
34. Stationary Jamb Stile (Ultrex)
35. Adjustable Hinge
36. Pile, Door Screen (Sliding)
37. Mull Post Base
38. Mull Post
39. Mull Post Weather Strip
40. Jamb Weather Strip
41. Jamb Strike Plate
42. Lock Backer Panel Insert
43. Hinge Backer Panel Insert

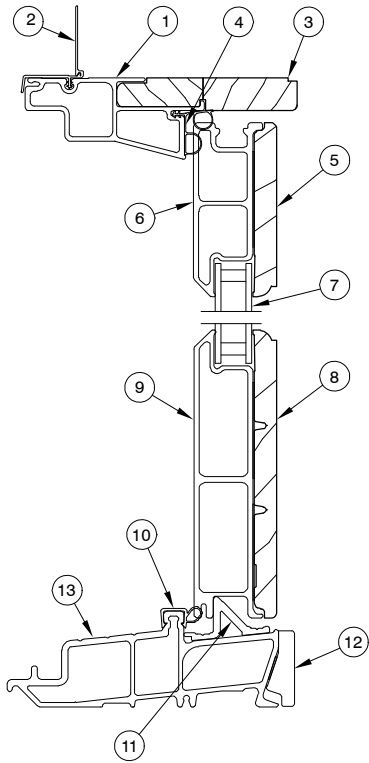


Jamb Detail

NOTE: XO Configuration Shown

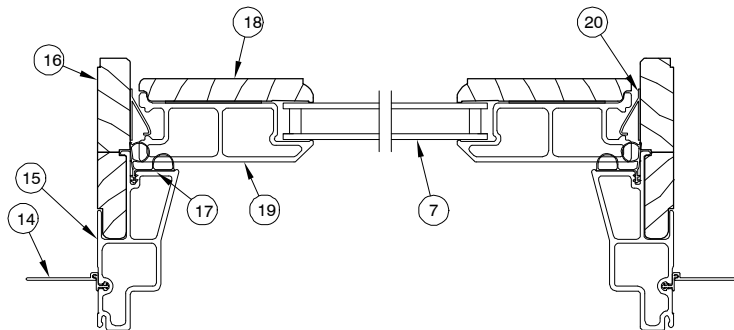
NOTE: Not to scale; specifications subject to change without notice.

SINGLE PANEL STATIONARY O



- 1. Head Jamb (Ultrex)
- 2. Head Jamb Nailing Fin/Drip Cap
- 3. Head Jamb Liner
- 4. Head Jamb Weather Strip
- 5. Top Rail
- 6. Top Rail (Ultrex)
- 7. Insulating Glass
- 8. Bottom Rail
- 9. Bottom Rail (Ultrex)
- 10. Sill Weather Strip
- 11. Stationary Panel Retainer
- 12. Sill Liner
- 13. Sill (Ultrex)
- 14. Jamb Nailing Fin
- 15. Jamb (Ultrex)
- 16. Jamb Liner
- 17. Jamb Weather Strip
- 18. Stile
- 19. Stile (Ultrex)
- 20. Stationary Panel Clip

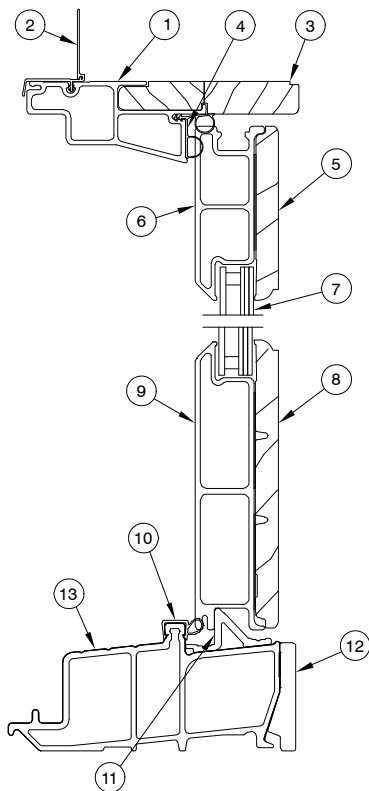
**Head Jamb
and Sill Detail**



Jamb Detail

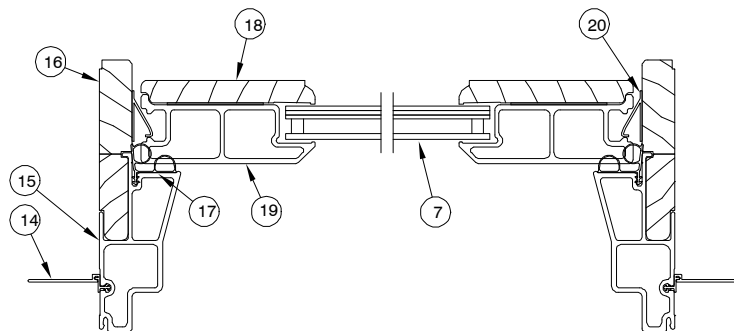
NOTE: Not to scale; specifications subject to change without notice.

SINGLE PANEL STATIONARY O – HP/IZ3



- 1. Head Jamb (Ultrex)
- 2. Head Jamb Nailing Fin/Drip Cap
- 3. Head Jamb Liner
- 4. Head Jamb Weather Strip
- 5. Top Rail
- 6. Top Rail (Ultrex)
- 7. Insulating Impact Glass
- 8. Bottom Rail
- 9. Bottom Rail (Ultrex)
- 10. Sill Weather Strip
- 11. Stationary Panel Retainer
- 12. Sill Liner
- 13. Sill (Ultrex)

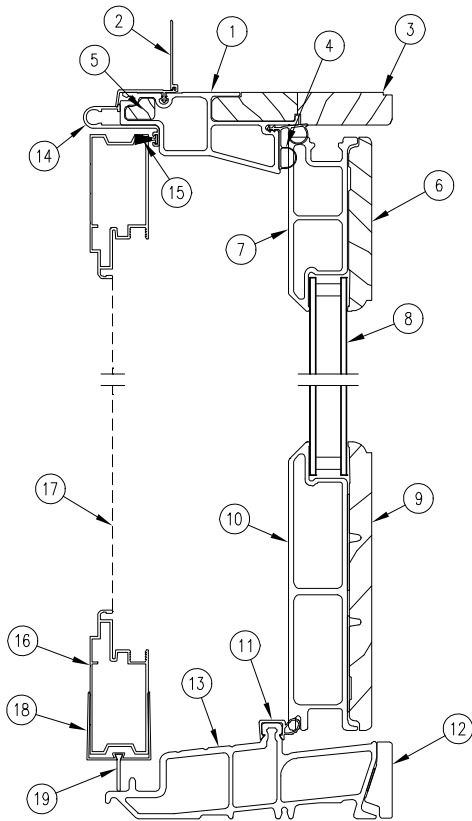
**Head Jamb
and Sill Detail**



Jamb Detail

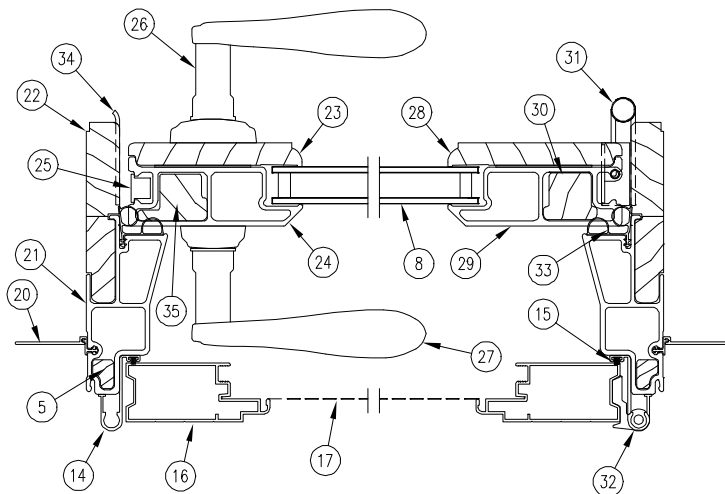
NOTE: Not to scale; specifications subject to change without notice.

SINGLE PANEL OPERATOR X



1. Head Jamb (Ultrax)
2. Head Jamb Nailing Fin/Drip Cap
3. Head Jamb Liner
4. Head Jamb Weather Strip
5. Screen Z-bar Backer
6. Top Rail
7. Top Rail (Ultrax)
8. Insulating Glass
9. Bottom Rail
10. Bottom Rail (Ultrax)
11. Sill Weather Strip
12. Sill Liner
13. Sill (Ultrax)
14. Z-Bar Channel
15. Pile, Door Screen (Swinging)
16. Swinging Screen Frame
17. Screen Mesh
18. Screen Frame Extender
19. Screen Sweep
20. Jamb Nailing Fin
21. Jamb (Ultrax)
22. Jamb Liner
23. Primary Locking Stile
24. Primary Locking Stile (Ultrax)
25. Multi-point Lock
26. Interior Handle
27. Exterior Handle
28. Primary Hinge Stile
29. Primary Hinge Stile (Ultrax)
30. Hinge Backer
31. Adjustable Hinge
32. Screen Hinge Z-bar
33. Jamb Weather Strip
34. Stiffener Bar
35. Jamb Strike Plate

**Head Jamb
and Sill Detail**

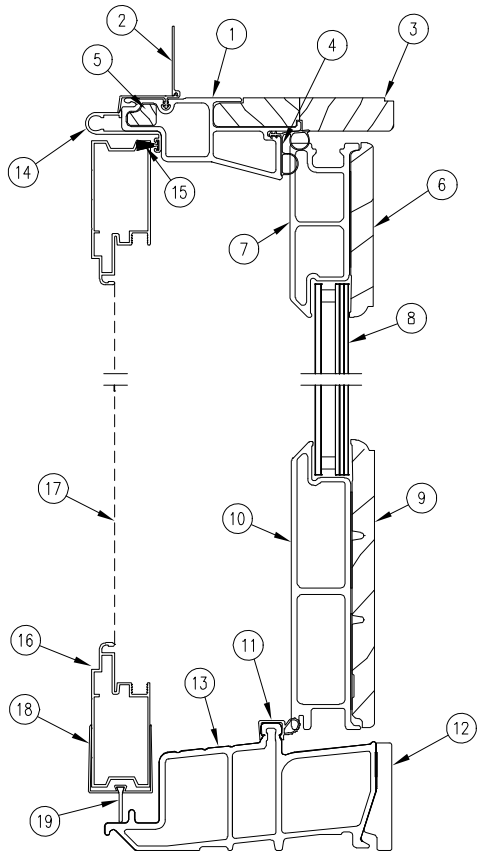


Jamb Detail

NOTE: X-R Configuration Shown

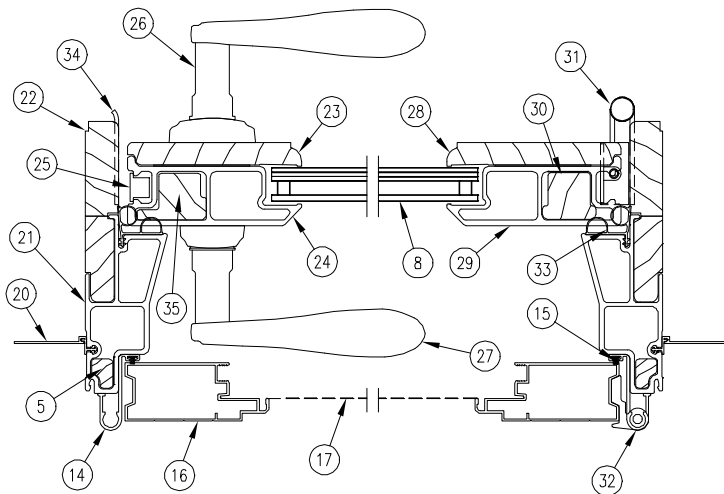
NOTE: Not to scale; specifications subject to change without notice.

SINGLE PANEL OPERATOR X – HP/IZ3



1. Head Jamb (Ultrax)
2. Head Jamb Nailing Fin/Drip Cap
3. Head Jamb Liner
4. Head Jamb Weather Strip
5. Screen Z-bar Backer
6. Top Rail
7. Top Rail (Ultrax)
8. Insulating Impact Glass
9. Bottom Rail
10. Bottom Rail (Ultrax)
11. Sill Weather Strip
12. Sill Liner
13. Sill (Ultrax)
14. Z-Bar Channel
15. Pile, Door Screen (Swinging)
16. Swinging Screen Frame
17. Screen Mesh
18. Screen Frame Extender
19. Screen Sweep
20. Jamb Nailing Fin
21. Jamb (Ultrax)
22. Jamb Liner
23. Primary Locking Stile
24. Primary Locking Stile (Ultrax)
25. Multi-point Lock
26. Interior Handle
27. Exterior Handle
28. Primary Hinge Stile
29. Primary Hinge Stile (Ultrax)
30. Hinge Backer
31. Adjustable Hinge
32. Screen Hinge Z-bar
33. Jamb Weather Strip
34. Stiffener Bar
35. Jamb Strike Plate
36. Locking Stile Backer

**Head Jamb
and Sill Detail**



Jamb Detail

NOTE: X-R Configuration Shown

NOTE: Not to scale; specifications subject to change without notice.

When ordering replacement Elevate Swinging Door parts specify:

1. Part number;
2. Description;
3. Handing;
4. Quantity.

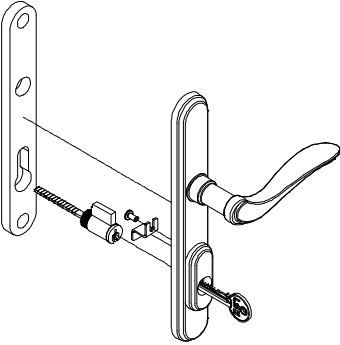
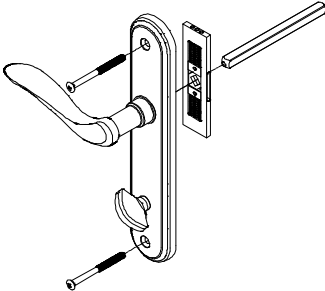
ILLUSTRATION NOT TO SCALE	DESCRIPTION	OPER./COLOR	PART NO.
	<p>Cambridge Primary Handle Set, Exterior <i>USAGE: 8/29/2016 to present</i> <i>Includes:</i> 1 – Exterior Handle 1 – Exterior Escutcheon 1 – Hardware Gasket 1 – Z Clip 1 – Z Clip Screw 1 – Keyed Cylinder</p> <p><i>NOTE: Escutcheon width 1.350"</i></p>	<p>XX-L, X-L, OX Almond Frost Stone White Brass PVD Satin Nickel PVD Oil Rubbed Bronze PVD Matte Black</p> <p>XX-R, X-R, XO Almond Frost Stone White Brass PVD Satin Nickel PVD Oil Rubbed Bronze PVD Matte Black</p>	<p>11868026 11868031 11868028 11868029 11868030 11868069</p> <p>11868021 11868019 11868023 11868024 11868025 11868068</p>
	<p>Cambridge Primary Handle Set, Interior <i>Includes:</i> 1 – Interior Handle 1 – Interior Escutcheon 1 – Spring Cassette 1 – Spindle 1 – Thumb Turn 2 – M5 x 58 Machine screws</p>	<p>XX-L, X-L, OX Almond Frost Stone White Brass PVD Satin Nickel PVD Oil Rubbed Bronze PVD Matte Black</p> <p>XX-R, X-R, XO Almond Frost Stone White Brass PVD Satin Nickel PVD Oil Rubbed Bronze PVD Matte Black</p>	<p>11869106 11869210 11869108 11869109 11869110 11869149</p> <p>11869101 11869209 11869103 11869104 11869105 11869169</p>

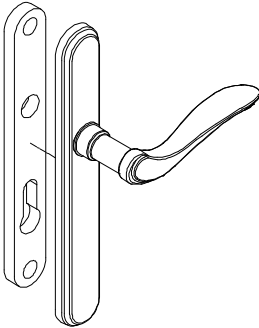
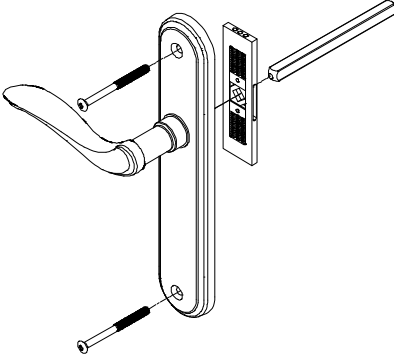
ILLUSTRATION <i>NOT TO SCALE</i>	DESCRIPTION	OPER./COLOR	PART NO.
	<p>Cambridge Secondary Handle Set, Exterior <i>USAGE: 8/29/2016 to present</i> <i>Includes:</i> 1 – Exterior Handle 1 – Exterior Escutcheon 1 – Hardware Gasket</p> <p><i>NOTE: Escutcheon width 1.350"</i></p>	<p>XX-R Almond Frost Stone White Brass PVD Satin Nickel PVD Oil Rubbed Bronze PVD Matte Black</p> <p>XX-L Almond Frost Stone White Brass PVD Satin Nickel PVD Oil Rubbed Bronze PVD Matte Black</p>	<p>11868046 11868037 11868048 11868049 11868050 11868071</p> <p>11868041 11868032 11868043 11868044 11868045 11868070</p>
	<p>Cambridge Secondary Handle Set, Interior <i>USAGE: 3/2007 to present</i> <i>Includes:</i> 1 – Interior Handle 1 – Interior Escutcheon 1 – Spring Cassette 1 – Spindle 2 – M5 x 58 Machine screws</p>	<p>XX-R Almond Frost Stone White Brass PVD Satin Nickel PVD Oil Rubbed Bronze PVD Matte Black</p> <p>XX-L Almond Frost Stone White Brass PVD Satin Nickel PVD Oil Rubbed Bronze PVD Matte Black</p>	<p>11869126 11869227 11869128 11869129 11869130 11869159</p> <p>11869121 11869222 11869123 11869124 11869125 11869150</p>

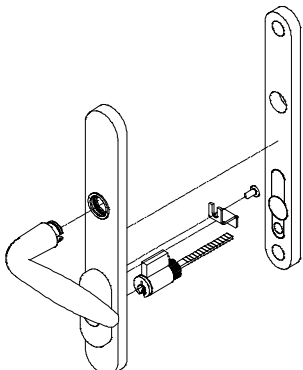
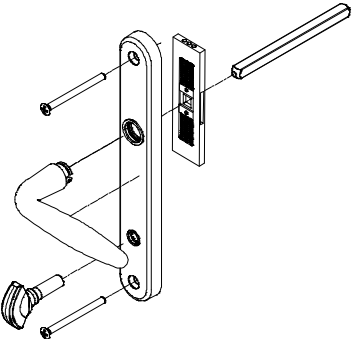
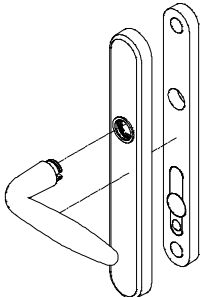
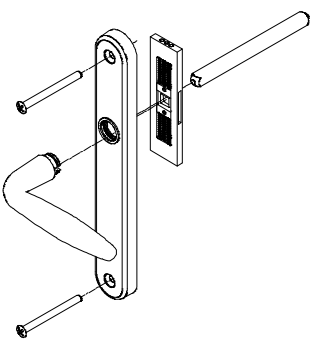
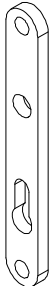
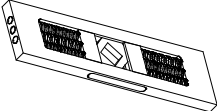

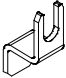


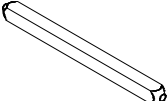
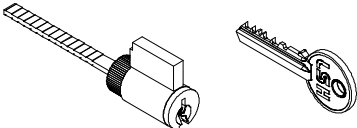

ILLUSTRATION NOT TO SCALE	DESCRIPTION	OPER./COLOR	PART NO.
	<p>Northfield Primary Handle Set, Exterior <i>USAGE: 10/2014 to present</i> <i>Includes:</i> 1 – Exterior Handle 1 – Exterior Escutcheon 1 – Hardware Gasket 1 – Z Clip 1 – Z Clip Screw 1 – Keyed Cylinder</p>	<p>Almond Frost Stone White Brass PVD Satin Nickel PVD Oil Rubbed Bronze PVD Matte Black</p>	<p>11869161 11869162 11869163 11869164 11869165 11869168</p>
	<p>Northfield Primary Handle Set, Interior <i>USAGE: 10/2014 to present</i> <i>Includes:</i> 1 – Interior Handle 1 – Interior Escutcheon 1 – Spring Cassette 1 – Spindle 1 – Thumb Turn 2 – M5 x 58 Machine screws</p>	<p>Almond Frost Stone White Brass PVD Satin Nickel PVD Oil Rubbed Bronze PVD Matte Black</p>	<p>11869151 11869152 11869153 11869154 11869155 11869160</p>
	<p>Northfield Secondary Handle Set, Exterior <i>USAGE: 10/2014 to present</i> <i>Includes:</i> 1 – Exterior Handle 1 – Exterior Escutcheon 1 – Hardware Gasket</p>	<p>Almond Frost Stone White Brass PVD Satin Nickel PVD Oil Rubbed Bronze PVD Matte Black</p>	<p>11869181 11869182 11869183 11869184 11869185 11869190</p>
	<p>Northfield Secondary Handle Set, Interior <i>USAGE: 10/2014 to present</i> <i>Includes:</i> 1 – Interior Handle 1 – Interior Escutcheon 1 – Spring Cassette 1 – Spindle 2 – M5 x 58 Machine screws</p>	<p>Almond Frost Stone White Brass PVD Satin Nickel PVD Oil Rubbed Bronze PVD Matte Black</p>	<p>11869171 11869172 11869173 11869174 11869175 11869180</p>

ILLUSTRATION NOT TO SCALE	DESCRIPTION	OPER./COLOR	PART NO.
	<p>Hardware Gasket</p>		<p>11860969</p>
	<p>Spring Cassette</p>		<p>11860960</p>
	<p>Escutcheon Plate Screws <i>NOTE: 1-M5 X 58 machine screw</i></p>	<p>Brass PVD White Almond Frost Satin Nickel PVD Oil Rubbed Bronze PVD Matte Black</p>	<p>11805189 11805188 11805187 11805190 11805191 11805143</p>
	<p>Z-Clip <i>Includes: 2 fasteners</i> <i>NOTE: Used on both Northfield and Cambridge hardware.</i></p>		<p>11860967</p>
	<p>Replacement Washers</p>		<p>11860964</p>
	<p>Split Ring</p>		<p>11860966</p>
	<p>Spindle</p>		<p>11860962</p>
	<p>Keyed Cylinder with Keys <i>NOTE: Schlage cylinder</i> <i>NOTE: For keyed alike cylinders, please contact your Marvin representative. Please supply the original order number if possible.</i></p>	<p>Brass</p>	<p>11860963</p>
	<p>Secondary Panel Lock Handle Template <i>NOTE: Handle retro-fit instructions (19915821) not included.</i> <i>NOTE: Not to scale</i></p>		<p>10503000</p>

Note: Always view units from the exterior for handing. H = Hinge location.

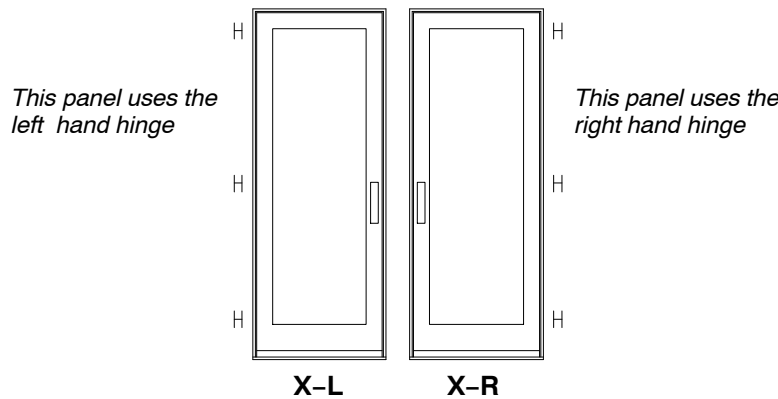


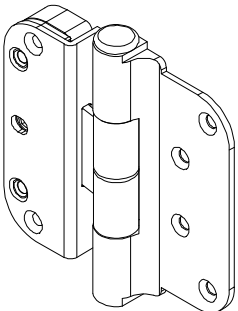
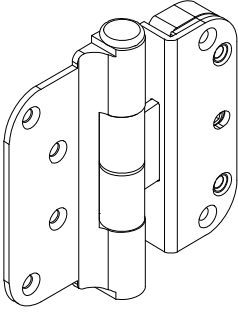
ILLUSTRATION NOT TO SCALE	DESCRIPTION	OPER./COLOR	PART NO.
	<p>Adjustable Hinge, Right Hand (X-R, XX-R) <i>NOTE: 1 hinge per kit 3 hinge kits per panel</i></p> <p><i>Units produced before 6/26/2017: 3 hinge kits for frame height <= to 82.000 " 4 hinge kits for frame height > than 82.000 "</i></p> <p>1 - Hinge Gasket (11705150) 3 - #8 x 5/8" Phillips flat head screw (into jamb) 8 - #8 x 1 1/2" Phillips flat head screw (into panel) 2 - #8 x 2 1/2" Phillips flat head screw (installation into jamb) 1 - Hinge retro-fit instructions (19915714) <i>NOTE: All screws are color matched</i></p>	<p>Gold Gray Almond Frost Cashmere Evergreen Pebble Dark Brown White Ebony Brass PVD Satin Nickel PVD Oil Rubbed Bronze PVD</p>	<p>11891400 11891402 11891408 11891420 11891416 11891418 11891404 11891406 11891422 11891410 11891412 11891414</p>
	<p>Adjustable Hinge, Left Hand (X-L, XX-L) <i>NOTE: 1 hinge per kit 3 hinge kits per panel</i></p> <p><i>Units produced before 6/26/2017: 3 hinge kits for frame height <= to 82.000 " 4 hinge kits for frame height > than 82.000 "</i></p> <p>1 - Hinge Gasket (11705150) 3 - #8 x 5/8" Phillips flat head screw (into jamb) 8 - #8 x 1 1/2" Phillips flat head screw (into panel) 2 - #8 x 2 1/2" Phillips flat head screw (installation into jamb) 1 - Hinge retro-fit instructions (19915714) <i>NOTE: All screws are color matched</i></p>	<p>Gold Gray Almond Frost Cashmere Evergreen Pebble Dark Brown White Ebony Brass PVD Satin Nickel PVD Oil Rubbed Bronze PVD</p>	<p>11891401 11891403 11891409 11891421 11891417 11891419 11891405 11891407 11891423 11891411 11891413 11891415</p>

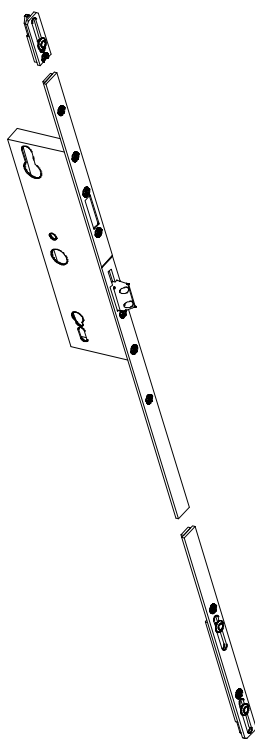
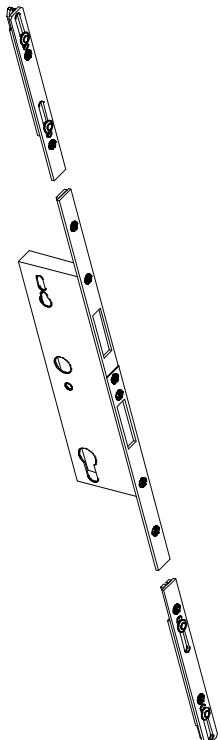
ILLUSTRATION NOT TO SCALE	DESCRIPTION	OPER./COLOR	PART NO.
	<p>Active Multi-Point <i>USAGE: 3/2007 to present</i> <i>Includes:</i> 1 – Lock assembly with faceplate, deadbolt, latch and shootbolts 11 (13 on 8/0) – #8 x 1 1/2" Phillips flat head screw (SS)</p> <p style="text-align: right;">CN 6-5 CN 6-8 CN 7-0 CN 8-0</p>	Stainless Steel	<p>11896701 11896702 11895700 11896703</p>
	<p>Special Size Active Multi-Point <i>USAGE: 3/2007 to present</i> <i>Includes:</i> 1 – Lock assembly with faceplate, deadbolt, latch and lower shoot bolts 1 – Top shoot bolt extension 12 – #8 x 1 1/2" Phillips flat head screw (SS)</p> <p><i>NOTE: ETO order required for special size doors. Rough Opening, Jamb Depth, and Door manufacture date required to provide correct component.</i></p>		Stainless Steel
	<p>Inactive Multi-Point <i>USAGE: 3/2007 to present</i> <i>Includes:</i> 1 – Lock assembly with faceplate, and shootbolts 11 (13 on 8/0) – #8 x 1 1/2" Phillips flat head screw (SS)</p> <p style="text-align: right;">CN 6-5 CN 6-8 CN 7-0 CN 8-0</p>	Stainless Steel	<p>11896704 11896705 11894700 11896706</p>
	<p>Special Size Inactive Multi-Point <i>USAGE: 3/2007 to present</i> <i>Includes:</i> 1 – Lock assembly with faceplate and lower shoot bolts 1 – Top shoot bolt extension 12 – #8 x 1 1/2" Phillips flat head screw (SS)</p> <p><i>NOTE: ETO order required for special size doors. Rough Opening, Jamb Depth, and Door manufacture date required to provide correct component.</i></p>		Stainless Steel

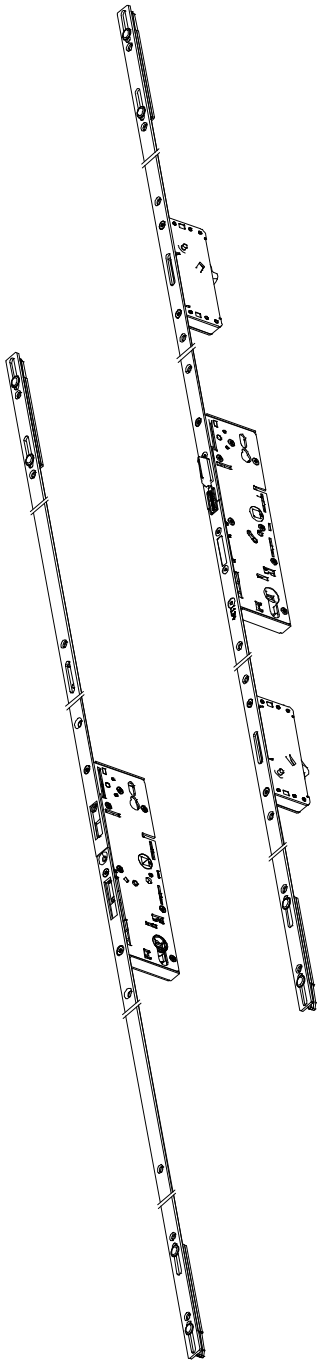
ILLUSTRATION NOT TO SCALE	DESCRIPTION	OPER./COLOR	PART NO.
	<p>Active Multi-Point – HP/IZ3 <i>USAGE: 8/29/2016 to present</i> <i>Includes:</i> 1 – Lock assembly with faceplate, deadbolt, latch and shootbolts 11 (13 on 8/0) – #8 x 2 1/2" Phillips flat head screw (SS)</p>	<p>CN 6-5 CN 6-8 CN 7-0 CN 8-0</p> <p>Stainless Steel</p>	<p>11891300 11891301 11891302 11891303</p>
	<p>Special Size Active Multi-Point – HP/IZ3 <i>USAGE: 8/29/2016 to present</i> <i>Includes:</i> 1 – Lock assembly with faceplate, deadbolt, latch and lower shootbolts 1 – Top shootbolt extension 12 – #8 x 2 1/2" Phillips flat head screw (SS)</p> <p><i>NOTE: ETO order required for special size doors. Rough Opening, Jamb Depth, and Door manufacture date required to provide correct component.</i></p>	<p>Stainless Steel</p>	<p>11861999</p>
	<p>Inactive Multi-Point – HP/IZ3 <i>USAGE: 8/29/2016 to present</i> <i>Includes:</i> 1 – Lock assembly with faceplate, and shootbolts 11 (13 on 8/0) – #8 x 2 1/2" Phillips flat head screw (SS)</p>	<p>CN 6-5 CN 6-8 CN 7-0 CN 8-0</p> <p>Stainless Steel</p>	<p>11891304 11891305 11891306 11891307</p>
	<p>Special Size Inactive Multi-Point – HP/IZ3 <i>USAGE: 8/29/2016 to present</i> <i>Includes:</i> 1 – Lock assembly with faceplate and lower shootbolts 1 – Top shootbolt extension 12 – #8 x 2 1/2" Phillips flat head screw (SS)</p> <p><i>NOTE: ETO order required for special size doors. Rough Opening, Jamb Depth, and Door manufacture date required to provide correct component.</i></p>	<p>Stainless Steel</p>	<p>11891899</p>

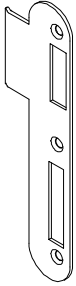
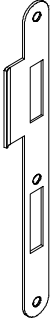
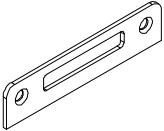
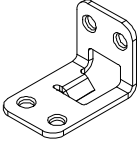
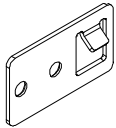
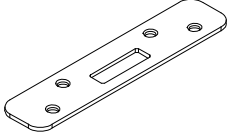
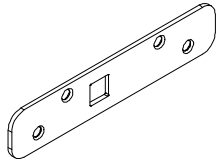
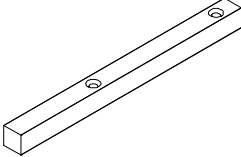
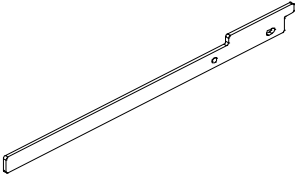
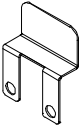

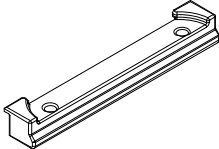
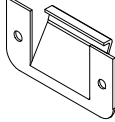
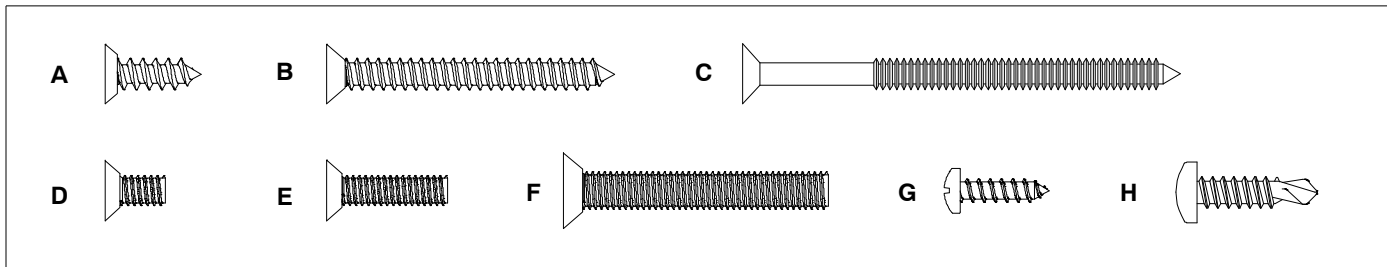
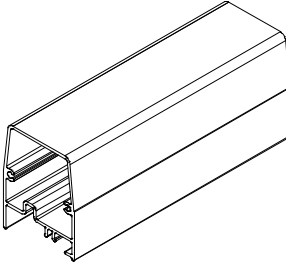
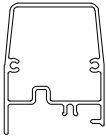
ILLUSTRATION NOT TO SCALE	DESCRIPTION	OPER./COLOR	PART NO.
 <p>OX or X-L shown</p>	<p>Strike Plate – Locking Jamb <i>USAGE: 8/29/2016 to present</i> <i>Available replacement screws</i> 2– #8 x 5/8" Phillips flathead screws, BS/SS 1– #8 x 2 1/2" Phillips flathead screws, BS/SS</p>	<p>XO or X-R Stainless Steel (SS) Brass (BS)</p> <p>OX or X-L Stainless Steel (SS) Brass (BS)</p>	<p>11860337 11860335</p> <p>11860338 11860336</p>
 <p>XX-R shown</p>	<p>Strike Plate – Secondary Lock <i>USAGE: 3/26/2007 – present</i> <i>Available replacement screws</i> 1 – Strike plate 1– 4 mm x 16mm Torx flathead machine screw 1 – 4 mm x 8mm Torx flathead machine screw 1 – 4 mm x 35mm Torx flathead machine screw</p>	<p>XX-R Stainless Steel (SS) Brass (BS)</p> <p>XX-L Stainless Steel (SS) Brass (BS)</p>	<p>11896560 11860187</p> <p>11896559 11860186</p>
	<p>Rhino Hook Strike Plate – HP/IZ3 <i>USAGE: 8/29/2016 – present</i> <i>Available replacement screws</i> 2 – #8x 2 1/2" Phillips flathead SS screws</p>	<p>Stainless Steel (SS)</p>	<p>11862546</p>
 <p>XO or X-R shown</p>	<p>Head Jamb Strike Plate – X, OX, XO <i>USAGE: 8/29/2016 – present</i> <i>Available replacement screws</i> 2 – #8x 5/8" Phillips flathead SS screws 2 – #8x 2 1/2" Phillips flathead SS screws</p>	<p>XO or X-R Stainless Steel (SS)</p> <p>OX or X-L Stainless Steel (SS)</p>	<p>11862580</p> <p>11862581</p>
 <p>XO or X-R shown</p>	<p>Sill Strike Plate – X, OX, XO <i>USAGE: 8/29/2016 – present</i> <i>Available replacement screws</i> 2 – #8x 5/8" Phillips flathead SS screws</p>	<p>XO or X-R Stainless Steel (SS)</p> <p>OX or X-L Stainless Steel (SS)</p>	<p>11862571</p> <p>11862572</p>

ILLUSTRATION NOT TO SCALE	DESCRIPTION	OPER./COLOR	PART NO.
	<p>Head Jamb/Sill Strike Plate – XX <i>USAGE: 8/29/2016 – present</i> <i>Available replacement screws:</i> <i>Head Jamb: 2 - #8 x 5/8" Phillips SS flathead screws (11805180), 2 - #8 x 2-1/2" Phillips SS flathead screws (11800648)</i> <i>Sill: 4 - #8 x 5/8" Phillips SS flathead screws (11805180)</i></p>	Stainless Steel (SS)	11862584
	<p>Head Jamb/Sill Stationary Lock Bar Strike Plate – XO, OX <i>USAGE: 8/29/2016 – present</i> <i>Available replacement screws:</i> <i>Head Jamb: 2 - #8 x 5/8" Phillips SS flathead screws (11805180), 2 - #8 x 2-1/2" Phillips SS flathead screws (11800648)</i> <i>Sill: 4 - #8 x 5/8" Phillips SS flathead screws (11805180)</i></p>	Stainless Steel (SS)	11862585
	<p>Stationary Lock Bar <i>USAGE: 8/29/2016 – present</i> <i>Available replacement screws</i> <i>2 - #8x 2 1/2" Phillips flathead SS screws #11800648 – Not included.</i></p>	Stainless Steel (SS)	11860229
	<p>Panel Support, HP/IZ3 <i>USAGE: 8/29/2016 – present</i></p>	Stainless Steel (SS)	11862633
	<p>Air Dam, XX <i>USAGE: 8/29/2016 – present</i> <i>Includes:</i> <i>1 – Dust Block</i></p>	Stainless Steel (SS)	11892603
	<p>Sill Drain Weep <i>USAGE: 8/29/2016 – present</i></p>	Black	15631215
	<p>Hinge Spacer Block <i>USAGE: 03/2004 – present</i></p>	Stone White Pebble Bronze Evergreen Cashmere Ebony	11860167 11860166 11860165 11860179 11860183 11860184
	<p>Stationary Panel Clip <i>USAGE: 1999 – present</i> <i>Available replacement screws</i> <i>1 – Stationary panel clip</i> <i>2 – #8 x 5/8" Phillips panhead screws</i></p>	Black	11892602



PART ID	DESCRIPTION AND USAGE	COLOR	PART NO.
A	#8 x 5/8" Phillips Flat Head Screw – PKG 25 Usage: <ul style="list-style-type: none"> • Hinge Kits • Strike Plate – Jamb/Head Jamb • Z-Bar mounting screw 	Stone White Dark Brown Brass Stainless Steel Gold Silver Almond Frost	11882723 11882724 11882725 11882726 11882720 11882721 11882722
B	#8 x 1 1/2" Phillips Flat Head Screw – PKG 25 Usage: <ul style="list-style-type: none"> • Hinge Kits 	Stone White Dark Brown Brass Stainless Steel Gold Silver Almond Frost	11882713 11882714 11882715 11882716 11882710 11882711 11882712
C	#8 x 2 1/2" Flat Head Screw – PKG 25 Usage: <ul style="list-style-type: none"> • Hinge Kits • Strike Plate – Jamb/Head Jamb 	Stone White Dark Brown Brass Stainless Steel Gold Silver Almond Frost	11882703 11882704 11882705 11882706 11882700 11882701 11882702
D	4mm x 8mm TORX Flat Head Machine Screw Usage: <ul style="list-style-type: none"> • Multi-point Lock 	Stainless Steel	11805181
E	4mm x 16mm TORX Flat Head Machine Screw Usage: <ul style="list-style-type: none"> • Multi-point Lock 	Stainless Steel	11805183
F	4mm x 35mm TORX Flat Head Machine Screw Usage: <ul style="list-style-type: none"> • Multi-point Lock 	Stainless Steel	11805184
G	#8 x 5/8" Pan Head Screw Usage: <ul style="list-style-type: none"> • Stationary Clip 	Zinc Yellow	11800821
H	#8 x 5/8" Pan Head Screw, A/Tek-2 Usage: <ul style="list-style-type: none"> • Astragal and Mull Post Cap 	Stainless Steel	11800498

Description								
 				<p>Mull Post A2567 Available replacement screws 12 - #8 x 5/8" Phillips A/TEK pan head screws</p>				
Size	Color	OX Part No.	XO Part No.		Size	Color	OX Part No.	XO Part No.
76 3/4" (1949) CN6-5	Stone White	19448165	19448166		83 1/4" (2115) CN7-0	Stone White	19448170	19448171
	Pebble	19448265	19448266			Pebble	19448270	19448271
	Bronze	19448365	19448366			Bronze	19448370	19448371
	Evergreen	19448465	19448466			Evergreen	19448470	19448471
	Cashmere	19448565	19448566			Cashmere	19448570	19448571
Ebony	19448965	19448966	Ebony	19448970	19448971			
79 1/4" (2013) CN6-8	Stone White	19448168	19448169		92 3/4" (2356) CN8-0	Stone White	19448180	19448181
	Pebble	19448268	19448269			Pebble	19448280	19448281
	Bronze	19448368	19448369			Bronze	19448380	19448381
	Evergreen	19448468	19448469			Evergreen	19448480	19448481
	Cashmere	19448568	19448569			Cashmere	19448580	19448581
Ebony	19448968	19448969	Ebony	19448980	19448981			

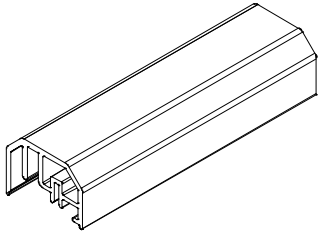

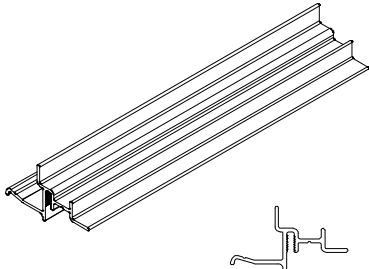
Description								
 				<p>Astragal Cap A2815 USAGE: 8/29/2016 - present Available replacement screws 12 - #8 x 5/8" Phillips A/TEK pan head screws</p>				
Size	CN	Color	Part No.		Size	CN	Color	Part No.
75 1/4" (1911)	CN6-5	Stone White	19456765		81 3/4" (2076)	CN7-0	Stone White	19456770
		Pebble	19456865				Pebble	19456870
		Bronze	19456965				Bronze	19456970
		Evergreen	19457065				Evergreen	19457070
		Cashmere	19457165				Cashmere	19457170
Ebony	19457565	Ebony	19457570					
77 3/4" (1975)	CN6-8	Stone White	19456768		91 1/4" (2318)	CN8-0	Stone White	19456780
		Pebble	19456868				Pebble	19456880
		Bronze	19456968				Bronze	19456980
		Evergreen	19457068				Evergreen	19457080
		Cashmere	19457168				Cashmere	19457180
Ebony	19457568	Ebony	19457580					

ILLUSTRATION NOT TO SCALE	DESCRIPTION	OPER./COLOR	PART NO.
	<p>Astragal Base – Exterior A2571 <i>USAGE: 8/29/2016 – present</i> <i>Includes:</i> 13 – #8 x 1 3/4 " Phillips pan head screws</p>		
	6-5 RH	75 1/4" (1911)	11891265
	6-8 RH	77 3/4" (1975)	11891268
	7-0 RH	81 3/4" (2076)	11891270
	8-0 RH	91 1/4" (2318)	11891280
	6-5 LH	75 1/4" (1911)	11891266
	6-8 LH	77 3/4" (1975)	11891269
	7-0 LH	81 3/4" (2076)	11891271
	8-0 LH	91 1/4" (2318)	11891281

When ordering weather strip specify:

1. Part number;
2. Description;
3. Length;
4. Quantity.

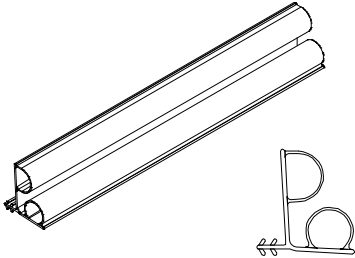
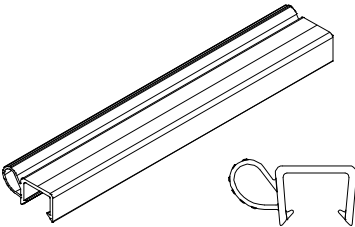
ILLUSTRATION NOT TO SCALE	DESCRIPTION	LENGTH/ COLOR	PART NO.
 <p>USAGE: 8/29/2016 – present</p>	<p>Head Jamb Weather Strip V2350 <i>NOTE: Head jamb weather strip has square end cuts.</i></p> <p>CN 2–6 width CN 2–8 width CN 3–0 width CN 5–0 width CN 5–4 width CN 6–0 width</p>	<p>Black</p> <p>27 1/32" (687) 29 1/32" (737) 33 1/32" (839) 55 23/32" (1415) 59 23/32" (1517) 67 23/32" (1720)</p>	<p>15971026 15971028 15971030 15971050 15971054 15971060</p>
	<p>Jamb Weather Strip V2350 <i>NOTE: Jamb weather strip has has square end cuts.</i></p> <p>CN 6–5 height CN 6–8 height CN 7–0 height CN 8–0 height</p>	<p>Black</p> <p>76 25/32" (1950) 79 9/32" (2014) 83 9/32" (2115) 92 25/32 (2357)</p>	<p>15971065 15971068 15971070 15971080</p>
	<p>Astragal/Mullion Post Weather Strip V2350 <i>NOTE: Mullion post weather strip has square end cuts.</i></p> <p>CN 6–5 height CN 6–8 height CN 7–0 height CN 8–0 height</p>	<p>Black</p> <p>75 1/4" (1911) 77 3/4" (1975) 81 3/4" (2076) 91 1/4" (2318)</p>	<p>15971165 15971168 15971170 15971180</p>
	<p>Sill Weather Strip V2026 USAGE: 8/29/2016 – present <i>NOTE: Sill weather strip has notched ends.</i></p> <p>CN 2–6 width CN 2–8 width CN 3–0 width CN 5–0 width CN 5–4 width CN 6–0 width</p>	<p>Beige</p> <p>28 15/16" (735) 30 15/16" (786) 34 15/16" (888) 57 5/8" (1464) 61 5/8" (1565) 69 5/8" (1768)</p> <p>Black</p> <p>28 15/16" (735) 30 15/16" (786) 34 15/16" (888) 57 5/8" (1464) 61 5/8" (1565) 69 5/8" (1768)</p>	<p>11208826 11208828 11208830 11208850 11208854 11208860</p> <p>11208926 11208928 11208930 11208950 11208954 11208960</p>

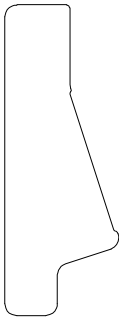
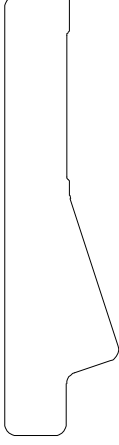
ILLUSTRATION <i>NOT TO SCALE</i>	DESCRIPTION	LENGTH	BEIGE PART NO.	BLACK PART NO.
	<p>Sill Liner V2736 <i>USAGE: 10/29/2018 – present</i> <i>Includes:</i> <i>NOTE: Foam sealant tape included</i></p>			
	CN 2–6 width	30 5/16" (770)	11891526	11891426
	CN 2–8 width	32 5/16" (821)	11891528	11891428
	CN 3–0 width	36 5/16" (923)	11891530	11891430
	CN 5–0 width	59" (1499)	11891550	11891450
	CN 5–4 width	63" (1600)	11891554	11891454
	CN 6–0 width	71" (1803)	11891560	11891460
	<p>Sill Liner – HP/IZ3 V2960 <i>USAGE: 10/29/2018 – present</i> <i>Includes:</i> <i>NOTE: Foam sealant tape included</i></p>			
	CN 2–6 width	30 5/16" (770)	11891726	11891626
	CN 2–8 width	32 5/16" (821)	11891728	11891628
	CN 3–0 width	36 5/16" (923)	11891730	11891630
	CN 5–0 width	59" (1499)	11891750	11891650
	CN 5–4 width	63" (1600)	11891754	11891654
	CN 6–0 width	71" (1803)	11891760	11891660

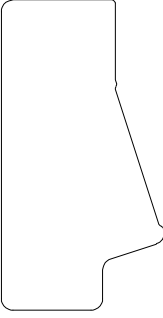
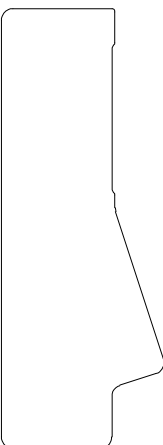
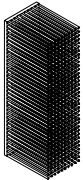
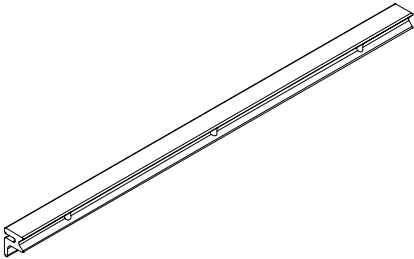

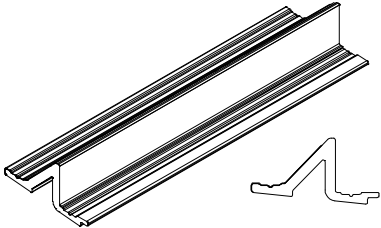
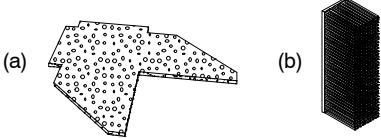




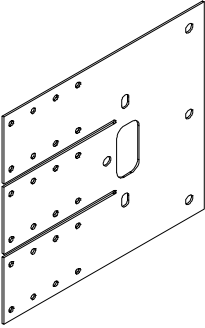
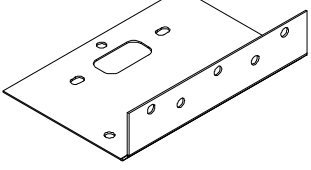
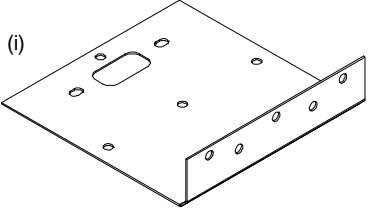



ILLUSTRATION NOT TO SCALE	DESCRIPTION	LENGTH	BEIGE PART NO.	BLACK PART NO.
	<p>Sill Liner – 6 13/16" V2934 USAGE: 10/29/2018 – present Includes: NOTE: Foam sealant tape included.</p> <p>CN 3–0 width CN 6–0 width</p>	<p>36 5/16" (923) 71" (1803)</p>	<p>31606930 31606960</p>	<p>31506930 31506960</p>
	<p>Sill Liner – HP/IZ3 6 13/16" V2954 USAGE: 10/29/2018 – present Includes: NOTE: Foam sealant tape included.</p> <p>CN 6–0 width</p>	<p>71" (1803)</p>	<p>11101171</p>	<p>31511171</p>

ILLUSTRATION NOT TO SCALE	DESCRIPTION	LENGTH/ COLOR	PART NO.
	<p>Dust Block <i>USAGE: 8/29/2016 – present</i></p>	<p>Gray</p>	<p>15600010</p>
	<p>Stationary Jamb Retainer <i>USAGE: 8/29/2016 – present</i></p>	<p>Black 12" (305)</p>	<p>15916812</p>
	<p>Accessory Kerf Weather Strip – Frame MISC 1242 For field service only 5/32" diameter</p>	<p>Beige 25' (7620)</p>	<p>15910125</p>
	<p>Sill Retainer, Stationary V2460 <i>USAGE: 8/29/2016 – Present</i></p> <p>CN 2-6/5-0 width CN 2-8/5-4 width CN 3-0/6-0 width</p>	<p>Black 25" (635) 27" (686) 31" (787)</p>	<p>15918550 15918554 15918560</p>

ILLUSTRATIONS NOT TO SCALE	DESCRIPTION	OPER./COLOR	PART NO.
<p>USAGE: 8/29/2016 – present</p>     	<p>Primary Installation Kit (all units) Includes: General door installation instructions 19915634 Elevate Inswing G3 Installation 19915707 Nailing fin corner gaskets (package of 4) 11866519 (a) 1 – Sliding Screen Dust Block – 10500161 (b) 1 – #10 x 2 3/4" flathead masonry screws – 11800869 (c) 10 – #8 x 3" Phillips panhead screws (d), SS – 11800829</p>		11898920
	<p>Operator Installation Kit X, XO/OX, XX Includes: 5 – #8 x 2 1/2" Phillips flat head screws (e), SS – 11800648 1 – #8 x 2 1/2" Phillips flat head screws (e), BS – 11805165 NOTE: HP/IZ3 units – QTY 2</p>		11898925
	<p>Jamb Filler Hole Plug – packs of 10 Includes: 10 – Jamb filler hole plugs (f)</p>	<p>Stone White Pebble Bronze Evergreen Cashmere Black</p>	<p>11892507 11892506 11892508 11892509 11892510 11892511</p>
	<p>Hinge Installation Screws – packs of 4 X – 1 pack XX or X-HP/Impact – 2 packs XX-HP/Impact – 3 packs Includes: #8 x 2 1/2" Phillips flat head screws (e)</p>	<p>Gold Silver Almond Frost Stone White Dark Brown Stainless Steel Brass</p>	<p>11808216 11808217 11882369 11882361 11882362 11882365 11882363</p>
	<p>Structural Bracket Installation Kit Includes: 11 – Structural bracket – 11862598 (g) 33 – #8 x 5/8" Type AB-17 flat head screws – 11800758 (j)</p>	Stainless Steel	11898945
	<p>Impact Installation Clip Kit 4 9/16" Includes: 11 – Impact Clips – 11862578 (h) 33 – #8 x 5/8" Type AB-17 flat head screws – 11800758 (j)</p>	Stainless Steel	11898950
	<p>Impact Installation Clip Kit 6 9/16" Includes: 11 – Impact Clips – 11862588 (i) 33 – #8 x 5/8" Type AB-17 flat head screws – 11800758 (j)</p>	Stainless Steel	11898955

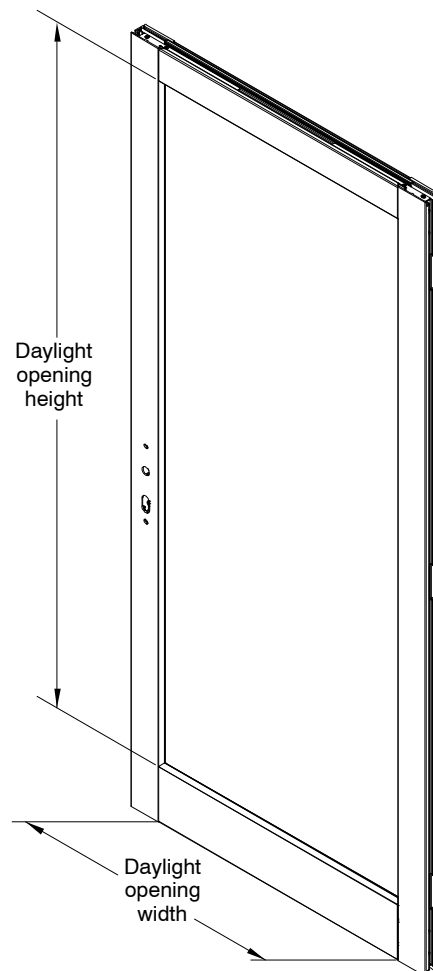
ORDERING REPLACEMENT INSWING FRENCH DOOR PANELS

To order replacement panels specify:

1. Size;
2. Date of frame manufacture (verify manufacture date before ordering);
3. Operator or stationary;
4. Handing;
5. Stone White, Pebble Gray, Bronze, Evergreen, Cashmere or Ebony exterior;
6. Glazing;
7. Bare wood, White, Designer Black or Clear interior.
8. Unit option (HP, Impact) NOTE: This will affect panel height

**EXTERIOR VIEW
FRENCH DOOR
(Operator panel shown)**

Panel Sizes for Inswing French Door (IIFD) Units Manufactured 3/1/04 to present			
Daylight Opening to Panel OM			
Daylight Width + 7 1/4" (181) = OM Width of Panel			
Daylight Height + 9 5/8" (244) = OM Height of Panel			
WIDTH		HEIGHT	
Size	OM Width	Size	OM Height
2-6	28 19/32" (726)	6-5	76 23/32" (1949)
2-8	30 19/32" (778)	6-8	79 7/32" (2012)
3-0	34 19/32" (879)	7-0	83 7/32" (2114)
5-0	28 19/32" (726)	8-0	92 23/32" (2355)
5-4	30 19/32" (778)		
6-0	34 19/32" (879)	HP/IZ3	
		6-5	76 1/16" (1932)
		6-8	78 9/16" (1995)
		7-0	82 9/16" (2097)
		8-0	92 1/16" (2338)



NOTE: Operating panels include multipoint lock assembly.

NOTE: For conversion table of panels produced before 03/02/2004, refer to the obsolete parts section.

ORDERING SLIDING REPLACEMENT SCREENS FOR SWINGING DOOR – (OX/XO UNITS)

Screens are standard with a color matched aluminum surround and charcoal colored fiberglass 18 x 16 screen mesh. Determine the outside measurement of the existing screen. Find the sizes that correspond to the width and height indicated on the following chart.

When ordering replacement screen specify:

1. Size; if there is no existing screen from which to obtain the OM of the screen, determine the size of the screen by using the conversion chart below. The daylight opening is the measurement of the visible glass. For frames manufactured prior to 03/02/2004 refer to obsolete section for screen size conversions.
2. Hanging;
3. Color– Stone White, Pebble Gray, Bronze, Evergreen, Cashmere and Ebony;

Elevate Inswing French Door (IFD) Screen Sizes Sliding Screen Units Manufactured March 2004 to 8/29/16			
Daylight Opening to OM of screen			
Daylight Width + 4 3/16" (106) = OM Width of Screen			
Daylight Height + 5 3/16" (132) = OM Height of Screen			
WIDTH		HEIGHT	
Size	OM Width	Size	OM Height
5-0	29 3/16"	6-5	77 3/4"
5-4	31 3/16"	6-8	80 1/4"
6-0	35 3/16"	7-0	84 1/4"
		8-0	93 3/4"

Elevate Inswing French Door (IIFD) Screen Sizes Sliding Screen Units Manufactured 8/29/2016 to Present			
Daylight Opening to OM of screen			
Daylight Width + 4 3/16" (106) = OM Width of Screen			
Daylight Height + 4 1/2" (114) = OM Height of Screen			
WIDTH		HEIGHT	
Size	OM Width	Size	OM Height
5-0	29 3/16"	6-5	77 1/32"
5-4	31 3/16"	6-8	80 17/32"
6-0	35 3/16"	7-0	84 17/32"
		8-0	93 1/32"

**ORDERING SWINGING REPLACEMENT SCREENS FOR SWINGING DOOR/INSWING FRENCH DOOR
- (X AND XX)**

Screens are standard with a color matched aluminum surround and charcoal colored fiberglass 18 x 16 screen mesh. Determine the outside measurement of the existing screen. Find the sizes that correspond to the width and height indicated on the following chart.

When ordering replacement screen specify:

1. Size; if there is no existing screen from which to obtain the OM of the screen, determine the size of the screen by using the conversion chart below. The daylight opening is the measurement of the visible glass. For frames manufactured prior to 03/02/2004 refer to obsolete section for screen size conversions.
2. Hanging;
3. Color– Stone White, Pebble Gray, Bronze, Evergreen, Cashmere and Ebony;

Elevate Inswing French Door (IIFD) Screen Sizes Swinging Screen Units Manufactured 3/1/04 to 8/29/2016				
Daylight Opening to OM of screen				
X –Daylight Width + 7 1/8" (181)= OM Width of Screen XX – Daylight Width + 6 7/8" (175)= OM Width of Screen Daylight Height + 10 1/4" (260) = OM Height of Screen				
WIDTH			HEIGHT	
Size	X-OM Width	XX-OM Width	Size	OM Height
2-6	28 7/16" (723)	N/A	6-5	77 3/8" (1965)
2-8	30 7/16" (773)	N/A	6-8	79 7/8" (2029)
3-0	34 7/16" (876)	N/A	7-0	83 7/8" (2130)
5-0	N/A	28 1/8" (714)	8-0	93 3/8" (2372)
5-4	N/A	30 1/8" (765)		
6-0	N/A	34 1/8" (867)		

Elevate Inswing French Door (IIFD) Screen Sizes Swinging Screen Units Manufactured 8/29/2016 to Present				
Daylight Opening to OM of screen				
X –Daylight Width + 7 1/8" (181)= OM Width of Screen XX – Daylight Width + 6 7/8" (175)= OM Width of Screen Daylight Height + 10 1/8" (257) = OM Height of Screen				
WIDTH			HEIGHT	
Size	X-OM Width	XX-OM Width	Size	OM Height
2-6	28 7/16" (723)	N/A	6-5	77 1/4" (1962)
2-8	30 7/16" (773)	N/A	6-8	79 3/4" (2026)
3-0	34 7/16" (876)	N/A	7-0	83 3/4" (2127)
5-0	N/A	28 1/8" (714)	8-0	93 1/4" (2369)
5-4	N/A	30 1/8" (765)		
6-0	N/A	34 1/8" (867)		

NOTE: Swinging screens are available in X and XX configurations. Replacement swinging screens contain the following components: installation instructions, handle kit, closure kit, bottom expander and sweep, head jamb, hinge-jamb and latch-jamb z bar. XX configurations also include astragal kit.

When ordering patio door replacement screen parts specify:

1. Description;
2. Part number;
3. Quantity.

SWINGING SCREEN

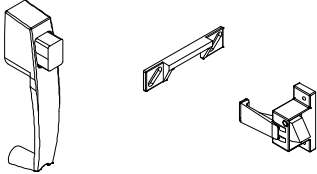
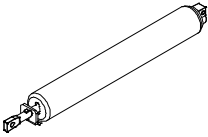
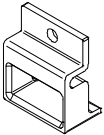




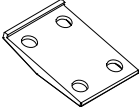
ILLUSTRATION NOT TO SCALE	DESCRIPTION	COLOR	PART NO.
	<p>Handle Kit, Complete <i>USAGE: 2003 – present</i> <i>Includes: Latch handles and related parts, z-bar mounting screws and installation instructions</i></p>	Black	11901970
	<p>Screen Door Closer Kit <i>USAGE: 1999 – present</i> <i>Includes: Cylinder brackets, pins, hold-open washer, screws and installation instructions</i></p>	Black	11901971
	<p>Shoot Bolt Receiver, Swinging Screen – 4 9/16" and 6 9/16" <i>USAGE: 8/29/2016 – present</i> <i>Includes:</i> 1 – Receiver, 11860362 1 – Dust block, 10500141</p>	Black	11892701
	<p>Pile, Door Screen Replacment, Swinging Screen <i>USAGE:</i></p>		10600251
	<p>Screen Pile Weather Strip, Sliding Screen <i>USAGE:</i></p>		10600252
	<p>Screen Roller Track Dust Block <i>USAGE: 1999 – present</i> 7/8" x 7/8" x 3/16" <i>NOTE: Adhesive backed, located behind the screen roller bar</i></p>	GY	10500143
	<p>Screen Door Meeting Stile Dust Block <i>USAGE: 1999 – present</i> 17/32" x 7/8" x 1/2" <i>NOTE: Adhesive backed</i></p>	GY	10500161
	<p>Mounting Plate, Closer Brkt, Swinging Screen</p>	Black	11860177

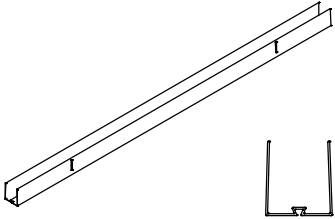
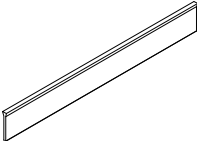
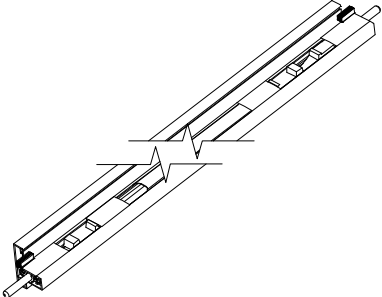
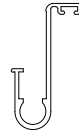
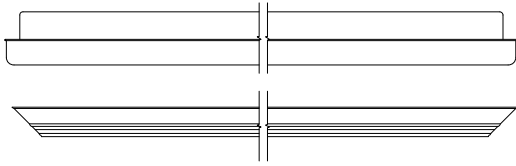
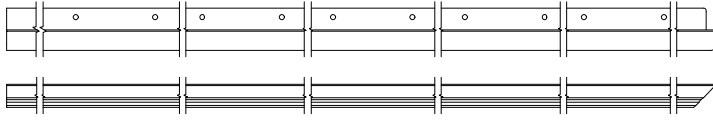
ILLUSTRATION NOT TO SCALE	DESCRIPTION	COLOR	PART NO.
	Bottom Expander <i>USAGE: 3/2004 – present</i>		
	28 9/16" (726) – CN 2-6 / 5-0 width	Stone White Pebble Bronze Evergreen Cashmere Ebony	17037026 17017126 17037126 17037326 17037426 17037526
	30 9/16" (776) – CN 2-8 / 5-4 width	Stone White Pebble Bronze Evergreen Cashmere Ebony	17037028 17017128 17037128 17037328 17037428 17037528
	34 9/16" (878) – CN 3-0 / 6-0 width	Stone White Pebble Bronze Evergreen Cashmere Ebony	17037031 17017131 17047169 17047131 17047132 17047133
	Vinyl Sweep <i>USAGE: 2004 – present</i> 1/8" x 3/4" x 36"	Black	11860160

ILLUSTRATION NOT TO SCALE	DESCRIPTION	COLOR	PART NO.
	<p>Swinging Screen Astragal Kit <i>USAGE: 8/29/2016 – present</i> <i>Includes: Astragal, Vinyl Trim Pieces, Shoot Bolt Assembly, Shoot Bolt Receiver with Dust Block</i> <i>Uses: #6 x 3/4" pan head screws(11860866) not included.</i></p>		
	<p>CN 6-5 height 77 1/4" (1962)</p>	<p>Stone White Pebble Bronze Evergreen Cashmere Ebony</p>	<p>11960965 11960865 11960765 11960666 11960566 11961265</p>
	<p>CN 6-8 height 79 3/4" (2025)</p>	<p>Stone White Pebble Bronze Evergreen Cashmere Ebony</p>	<p>11960968 11960868 11960768 11960669 11960569 11961268</p>
	<p>CN 7-0 height 83 3/4" (2127)</p>	<p>Stone White Pebble Bronze Evergreen Cashmere Ebony</p>	<p>11960870 11960770 11960671 11960571 11960471 11961270</p>
	<p>CN 8-0 height 93 1/4" (2368)</p>	<p>Stone White Pebble Bronze Evergreen Cashmere Ebony</p>	<p>11960980 11960880 11960780 11960681 11960581 11961280</p>

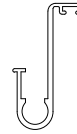


USAGE: 3/2004 – present

DESCRIPTION	OPER./COLOR	PART NO.
<p>Head Jamb Screen Z-Bar A1308 <i>NOTE: Head jamb screen Z-bars have 45 degree cuts on both ends (non handed).</i></p> <p><i>Includes:</i> 1 – Z-Bar <i>Available replacement screws:</i> #8 x 5/8 " Phillips flat head head screw (11805180) (CN 3-0 and under uses 3 screws, CN 4-0 and over uses 4 screws)</p>		
<p>CN 2-6 width 29 11/16" (754)</p>	<p>Stone White Pebble Bronze Evergreen Cashmere Ebony</p>	<p>17037226 17017326 17047226 17047326 17047426 17047526</p>
<p>CN 2-8 width 31 11/16" (805)</p>	<p>Stone White Pebble Bronze Evergreen Cashmere Ebony</p>	<p>17037228 17017328 17047228 17047328 17047428 17047528</p>
<p>CN 3-0 width 35 11/16" (906)</p>	<p>Stone White Pebble Bronze Evergreen Cashmere Ebony</p>	<p>17037231 17017331 17047231 17047331 17047431 17047531</p>
<p>CN 5-0 width 58 3/8" (1483)</p>	<p>Stone White Pebble Bronze Evergreen Cashmere Ebony</p>	<p>17037250 17017350 17047250 17047350 17047450 17047550</p>
<p>CN 5-4 width 62 3/8" (1584)</p>	<p>Stone White Pebble Bronze Evergreen Cashmere Ebony</p>	<p>17037254 17017354 17047254 17047354 17047454 17047554</p>
<p>CN 6-0 width 70 3/8" (1788)</p>	<p>Stone White Pebble Bronze Evergreen Cashmere Ebony</p>	<p>17037260 17017360 17047260 17047360 17047460 17047560</p>

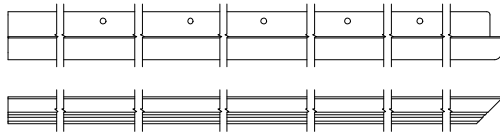


Left hand shown

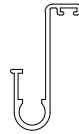


USAGE: 8/29/2016 – present

DESCRIPTION	OPER./COLOR	LH PART NO.	RH PART NO.
Jamb-Hinge Screen Z-Bar A1308 <i>NOTE: Jamb-Hinge screen Z-bars have 45 degree cuts on one end and square cuts on the other. Handing is determined from the exterior. Left hand shown.</i> Includes: 1 – Z-Bar Available replacement screws: #8 x 5/8" Phillips flat head screws (11805180) Units with a frame size under 87 15/16" use 8 screws Units with a frame size 87 15/16" and over use use 10 screws			
CN 6-5 height 78 9/16" (1995)	Stone White	18037266	18037265
	Pebble	18017366	18017365
	Bronze	18047266	18047265
	Evergreen	18047366	18047365
	Cashmere	18047666	18047665
	Ebony	18047866	18047865
CN 6-8 height 81 1/16" (2059)	Stone White	18037269	18037268
	Pebble	18017369	18017368
	Bronze	18047269	18047268
	Evergreen	18047369	18047368
	Cashmere	18047669	18047668
	Ebony	18047869	18047868
CN 7-0 height 85 1/16" (2161)	Stone White	18037271	18037270
	Pebble	18017371	18017370
	Bronze	18047271	18047270
	Evergreen	18047371	18047370
	Cashmere	18047671	18047670
	Ebony	18047871	18047870
CN 8-0 height 94 9/16" (2402)	Stone White	18037281	18037280
	Pebble	18017381	18017380
	Bronze	18047281	18047280
	Evergreen	18047381	18047380
	Cashmere	18047681	18047680
	Ebony	18047881	18047880

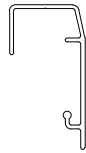
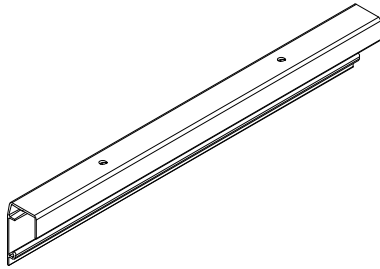


Left hand shown



USAGE: 8/29/2016 – present

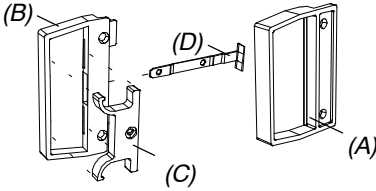


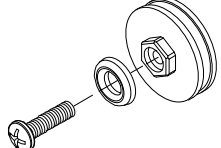
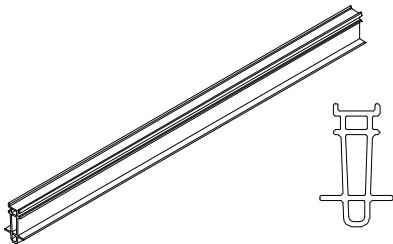
DESCRIPTION	OPER./COLOR	LH PART NO.	RH PART NO.
Jamb-Latch Screen Z-Bar A1308 <i>NOTE: Jamb-Hinge screen Z-bars have 45 degree cuts on one end and square cuts on the other. Handing is determined from the exterior. Left hand shown.</i> Includes: 1 – Z-Bar Available replacement screws: #8 x 5/8" Phillips flat head screws (11805180) Units with a frame size under 87 15/16" use 8 screws Units with a frame size 87 15/16" and over use use 10 screws			
CN 6-5 height 78 9/16" (1995)	Stone White	18037466	18037465
	Pebble	18017566	18017565
	Bronze	18047466	18047465
	Evergreen	18047566	18047565
	Cashmere	18047766	18047765
	Ebony	18047966	18047965
CN 6-8 height 81 1/16" (2059)	Stone White	18037469	18037468
	Pebble	18017569	18017568
	Bronze	18047469	18047468
	Evergreen	18047569	18047568
	Cashmere	18047769	18047768
	Ebony	18047969	18047968
CN 7-0 height 85 1/16" (2161)	Stone White	18037471	18037470
	Pebble	18017571	18017570
	Bronze	18047471	18047470
	Evergreen	18047571	18047570
	Cashmere	18047771	18047770
	Ebony	18047971	18047970
CN 8-0 height 94 9/16" (2402)	Stone White	18037481	18037480
	Pebble	18017581	18017580
	Bronze	18047481	18047480
	Evergreen	18047581	18047580
	Cashmere	18047781	18047780
	Ebony	18047981	18047980



USAGE: 3/2004 – present

DESCRIPTION	OPER./COLOR	PART NO.
<p>Head Jamb Screen Track A1237</p> <p><i>Includes:</i> 1 – Head jamb screen track Available replacement screws 6 – #8x5/8" Phillips self tapping undercut trusshead screws 11806158</p>		
<p>CN 5–0 width 57 31/64" (1460)</p>	<p>Stone White Pebble Bronze Evergreen Cashmere Ebony</p>	<p>11897145 11897146 11897147 11897148 11897149 11898150</p>
<p>CN 5–4 width 61 31/64" (1562)</p>	<p>Stone White Pebble Bronze Evergreen Cashmere Ebony</p>	<p>11897166 11897167 11897168 11897169 11897170 11897171</p>
<p>CN 6–0 width 69 31/64" (1766)</p>	<p>Stone White Pebble Bronze Evergreen Cashmere Ebony</p>	<p>11897150 11897151 11897152 11897153 11897154 11898155</p>

SLIDING SCREEN

ILLUSTRATION NOT TO SCALE	DESCRIPTION	OPER./COLOR	PART NO.
	<p>Screen Handle Assembly <i>USAGE: 02/04/2002 – present</i> <i>Includes:</i> 1 – Exterior handle (A) 1 – Interior handle (B) 1 – Slide (C) 1 – Latch (D) 3 – Screws 1 – Rivet</p>	<p>Black</p>	<p>10150028</p>
	<p>Door Strike <i>Includes:</i> 1 – Door strike 1 – #6 x 5/8" Phillips pan head screw</p>		<p>11897165</p>
	<p>Screen Bumper 3/4" x 3/4" x 1 3/8"</p>	<p>White</p>	<p>02540675</p>
	<p>Screen Roller Assembly <i>Includes:</i> 2 – Rollers 2 – Machine screws 2 – Grommet washers</p>		<p>11869525</p>
	<p>Screen Roller Guide V2932</p> <p>CN 5-0 CN 6-0/9-0 CN 8-0</p>	<p>Black</p>	<p>15918851 15918861 15918881</p>

When ordering replacement parts specify:

1. Part number;
2. Description;
3. Handing;
4. Quantity.

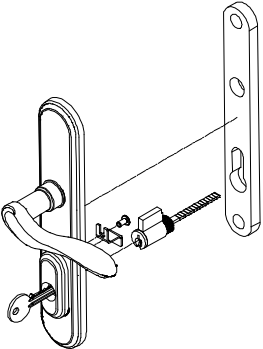
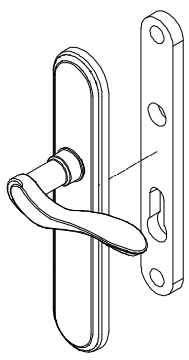
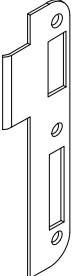
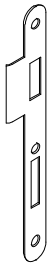
ILLUSTRATION NOT TO SCALE	DESCRIPTION	OPER./COLOR	PART NO.
	<p>Cambridge Primary Handle Set, Exterior <i>USAGE: 3/2007 – 8/29/2016</i> <i>Includes:</i> 1 – Exterior Handle 1 – Exterior Escutcheon 1 – Hardware Gasket 1 – Z Clip 1 – Z Clip Screw 1 – Keyed Cylinder</p> <p><i>NOTE: Escutcheon width 1.796"</i></p>	<p>XX-L, X-L, OX Almond Frost White Brass PVD Satin Nickel PVD Oil Rubbed Bronze PVD</p> <p>XX-R, X-R, XO Almond Frost White Brass PVD Satin Nickel PVD Oil Rubbed Bronze PVD</p>	<p>11869116 11869117 11869118 11869119 11869156</p> <p>11869111 11869112 11869113 11869114 11869115</p>
	<p>Cambridge Secondary Handle Set, Exterior <i>USAGE: 3/2007 – 8/29/2016</i> <i>Includes:</i> 1 – Exterior Handle 1 – Exterior Escutcheon 1 – Hardware Gasket</p> <p><i>NOTE: Escutcheon width 1.796"</i></p>	<p>XX-R Almond Frost White Brass PVD Satin Nickel PVD Oil Rubbed Bronze PVD</p> <p>XX-L Almond Frost White Brass PVD Satin Nickel PVD Oil Rubbed Bronze PVD</p>	<p>11869136 11869137 11869138 11869139 11869140</p> <p>11869131 11869132 11869133 11869134 11869135</p>
 <p><i>NOTE: XO or X-LH shown</i></p>	<p>Strike Plate – Locking Jamb <i>USAGE: 6/1999 – 8/29/2016</i> <i>Available replacement screws</i> 3– #8 x 5/8" Phillips flathead screws, BS/SS</p>	<p>X-R, XO Stainless Steel Brass</p> <p>X-L, OX Stainless Steel Brass</p>	<p>11860161 11860163</p> <p>11860162 11860164</p>
 <p><i>NOTE: XX-RH shown</i></p>	<p>Strike Plate – Secondary Lock <i>USAGE: 1999 – 03/26/2007</i> <i>Includes:</i> 1 – Strike plate 3 – 4mm x 10mm Torx T20 flathead machine screws – 11800112</p> <p>XX-RH</p> <p>XX-LH</p>	<p>Stainless Steel Brass</p> <p>Stainless Steel Brass</p>	<p>11860188 11860186</p> <p>11860189 11860187</p>

ILLUSTRATION NOT TO SCALE	DESCRIPTION	OPER./COLOR	PART NO.
	<p>Head Jamb/Sill Strike Plate – XX <i>USAGE: 8/29/2016 – 10/21/2018</i> Head Jamb: 2 - #8 x 5/8" Phillips SS flathead screws (11805180), 2 - #8 x 2-1/2" Phillips SS flathead screws (11800648) Sill: 4 - #8 x 5/8" Phillips SS flathead screws (11805180)</p>	Stainless Steel	11862589
	<p>Head Jamb/Sill Strike Ramp – XX <i>USAGE: 8/29/2016 – 10/21/2018</i> Head Jamb: 2 - #8 x 5/8" Phillips SS flathead screws (11805180), 2 - #8 x 2-1/2" Phillips SS flathead screws (11800648) Sill: 4 - #8 x 5/8" Phillips SS flathead screws (11805180)</p> <p><i>Strike plate only for field application (11862584)</i></p>	Stainless Steel	11862579
	<p>Head Jamb Strike Plate – X, OX, XO <i>USAGE: 6/1999 – 8/29/2016</i> Available replacement screws 2 – #8x 5/8 " Phillips flathead SS screws</p>	<p>X-R, XO Stainless Steel</p> <p>X-L, OX Stainless Steel</p>	<p>11897003</p> <p>11897001</p>
	<p>Head Jamb Strike Plate, XX <i>USAGE: 6/1999 – 8/29/2016</i> Available replacement screws 2 – #8 x 5/8 " SS flathead screws</p>	Stainless Steel	11897005
	<p>Head Jamb Strike Plate – OX, XO <i>USAGE: 1999 – 08/31/2009</i> Includes: 1 – Strike plate 2 – #6 x 5/8 " Phillips flathead beige screws 11800476</p>	Beige	02100955
	<p>Head Jamb Strike Plate, XX <i>USAGE: 1999 – 08/31/2009</i> Includes: 1 – Strike plate 2 – #6 x 5/8 " beige flathead screws 11800476</p>	Beige	11860190
	<p>Head Jamb Strike Insert – XX <i>USAGE: 6/1999 – 8/29/2016</i></p>		11860195

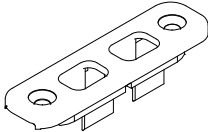
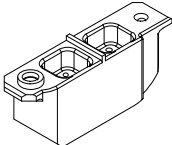
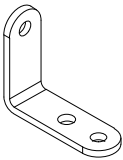
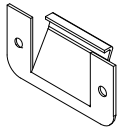
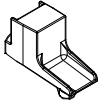
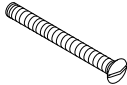
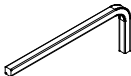
ILLUSTRATION NOT TO SCALE	DESCRIPTION	OPER./COLOR	PART NO.
	<p>Sill Strike Plate – XX USAGE: 6/1999 – 8/29/2016 Includes: Available replacement screws 2 – #6 x 1 1/4 " beige Phillips flathead screws</p>		02100954
	<p>Sill Strike Insert – XX USAGE: 6/1999 – 8/29/2016</p>		11860194
	<p>Stationary Panel Head Jamb Bracket USAGE: 6/1999 – 8/29/2016 Available replacement screws 1 – Stationary panel head jamb bracket 1 – #8 x 1 " Phillips pan head screw 11805185 1 – #8 x 3 " Phillips pan head screw 11800829 1 – Rivet</p>		11860152
	<p>Stationary Panel Clip USAGE: 6/1999 – 8/29/2016 Includes: 1 – Stationary panel clip 2 – Rivets</p>	Black	11860135
	<p>Door Stop USAGE: 6/1999 – 8/29/2016 Available replacement screws 1 – Door stop 2 – #8 x 1 " Phillips panhead screws</p>		11860182
	<p>Escutcheon Plate Screws USAGE: 2004–03/2007 2 – #10 x 2 " pan head machine screws</p>	Brass Stone White Almond Frost Satin Nickel Oil Rubbed Bronze	11801014 11801018 11801019 11801021 11801022
	<p>Hinge Adjustment Tool USAGE: 1999 – 8/29/2016</p>		10502561

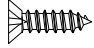
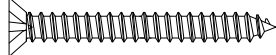

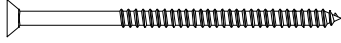
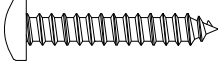

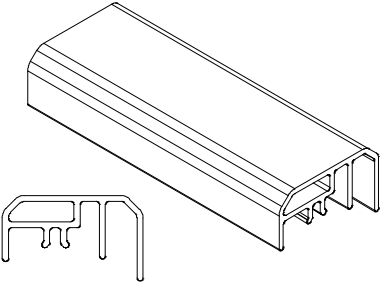
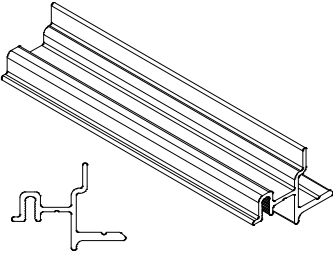
ILLUSTRATION NOT TO SCALE	DESCRIPTION	OPER./COLOR	PART NO.
 <p>a</p>  <p>b</p>  <p>c</p>  <p>d</p>  <p>e</p>  <p>f</p>	<p>Hinge</p> <p><i>#8 x 5/8 " Phillips flat head screws (a)</i></p> <p><i>#8 x 1 1/2 " Phillips flat head screws (b)</i></p> <p><i>#8 x 2 1/2 " Phillips flat head screws (c)</i></p>	<p>White Brown Gray Gold</p> <p>White Brown Gray Gold</p> <p>White Brown Gray Gold</p>	<p>11800490 11800489 11800491 11800495</p> <p>11800493 11800492 11800494 11800496</p> <p>11808214 11808215 11808213 11808211</p>
	<p>Jamb Strike Plate Installation</p> <p><i>1 – #6 x 2 1/2 " Phillips flat head screw (d)</i></p>	<p>Brass Stainless Steel</p>	<p>11800618 11800878</p>
	<p>Stationary Panel Header Bracket</p> <p><i>1 – #8 x 1 " Panhead screw (e)</i></p>	<p>Stainless Steel</p>	<p>11805185</p>
	<p>Head Jamb Screen Track</p> <p><i>1 – #8 x 1/2 " Self-tapping flat head screw (f)</i></p>	<p>Stainless Steel</p>	<p>11800502</p>

ILLUSTRATION NOT TO SCALE	DESCRIPTION	OPER./COLOR	PART NO.	
	<p>Astragal Cover – Exterior A1431 <i>USAGE: 6/1999 – 8/29/2016</i> <i>Available replacement screws</i> 1 – Astragal cover 8 – #8 x 5/8" Phillips pan head screws</p>	<p>Stone White</p>		
	<p>6-5 6-8 7-0 8-0</p>	<p>75 7/16" (1916) 77 15/16" (1980) 81 15/16" (2081) 91 7/16" (2323)</p>	<p>11896961 11896962 11892970 11896963</p>	
	<p>6-5 6-8 7-0 8-0</p>	<p>Pebble 75 7/16" (1916) 77 15/16" (1980) 81 15/16" (2081) 91 7/16" (2323)</p>	<p>11896964 11896965 11893970 11896966</p>	
	<p>6-5 6-8 7-0 8-0</p>	<p>Bronze 75 7/16" (1916) 77 15/16" (1980) 81 15/16" (2081) 91 7/16" (2323)</p>	<p>11896967 11896968 11894970 11896969</p>	
	<p>6-5 6-8 7-0 8-0</p>	<p>Evergreen 75 7/16" (1916) 77 15/16" (1980) 81 15/16" (2081) 91 7/16" (2323)</p>	<p>11896970 11896971 11895970 11896972</p>	
	<p>6-5 6-8 7-0 8-0</p>	<p>Cashmere 75 7/16" (1916) 77 15/16" (1980) 81 15/16" (2081) 91 7/16" (2323)</p>	<p>11896973 11896974 11897970 11896975</p>	
	<p>6-5 6-8 7-0 8-0</p>	<p>Ebony 75 7/16" (1916) 77 15/16" (1980) 81 15/16" (2081) 91 7/16" (2323)</p>	<p>11898965 11898968 11898970 11898980</p>	
		<p>Astragal Base – Exterior A1432 <i>USAGE: 6/1999 – 8/29/2016</i> <i>Available replacement screws</i> 1 – Astragal base 9 – #8 x 5/8" Phillips pan head screws</p>		
		<p>6-5 6-8 7-0 8-0</p>	<p>75 7/16" (1916) 77 15/16" (1980) 81 15/16" (2081) 91 7/16" (2323)</p>	<p>11896567 11896568 11897570 11896569</p>

When ordering weather strip specify:

1. Part number;
2. Description;
3. Length;
4. Quantity.

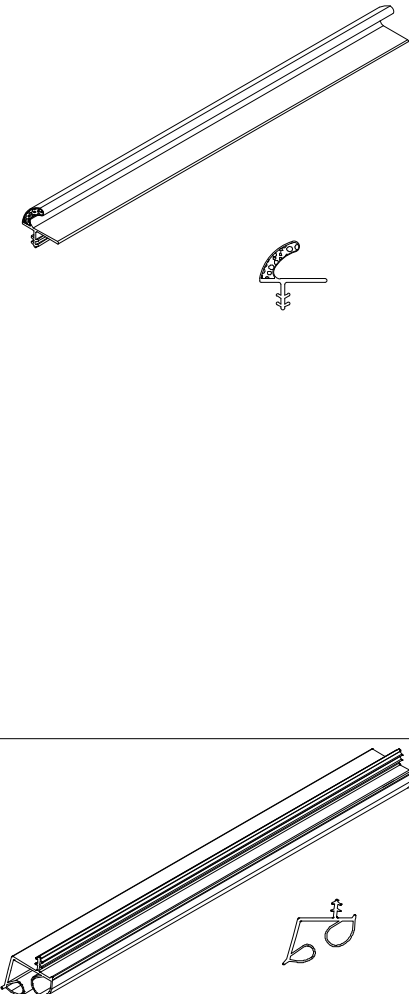
ILLUSTRATION NOT TO SCALE	DESCRIPTION	LENGTH/ COLOR	PART NO.
	<p>Head Jamb Weather Strip V019 <i>USAGE: 6/1999 – 8/29/2016</i> <i>NOTE: Head jamb weather strip has 45 degree cuts on each end.</i></p> <p>CN 2–6 width CN 2–8 width CN 3–0 width CN 5–0 width CN 5–4 width CN 6–0 width</p>	<p>BG</p> <p>28 29/32" (734) 30 57/64 (785) 34 29/32" (886) 57 9/16" (1462) 61 9/16" (1564) 69 9/16" (1767)</p>	<p>15970126 15970128 15970131 15970150 15970154 15970161</p>
	<p>Jamb Weather Strip V019 <i>USAGE: 6/1999 – 8/29/2016</i> <i>NOTE: Jamb weather strip has one end cut square and one end cut at 45 degrees.</i></p> <p>CN 6–5 height RH CN 6–5 height LH CN 6–8 height RH CN 6–8 height LH CN 7–0 height RH CN 7–0 height LH CN 8–0 height RH CN 8–0 height LH</p>	<p>BG</p> <p>77 1/2" (1969) 80" (2032) 84" (2134) 93 1/2" (2375)</p>	<p>15970265 15970266 15970268 15970269 15970270 15970271 15970280 15970281</p>
	<p>Mullion Post Weather Strip V019 <i>USAGE: 6/1999 – 8/29/2016</i> <i>NOTE: Mullion post weather strip has a square cut on both ends.</i></p> <p>CN 6–5 height CN 6–8 height CN 7–0 height CN 8–0 height</p>	<p>77" (1956) 79 1/2" (2019) 83 1/2" (2121) 93" (2362)</p>	<p>15970167 15970172 15970174 15970182</p>
	<p>Astragal Weather Strip V1893 <i>USAGE: 6/1999 – 8/29/2016</i></p> <p>CN 6–5 height CN 6–8 height CN 7–0 height CN 8–0 height</p>	<p>76 25/32" (1950) 79 9/32" (2014) 83 9/32" (2115) 92 25/32" (2357)</p>	<p>15919366 15919369 15919371 15919381</p>

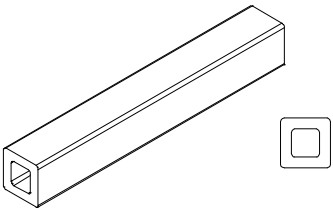
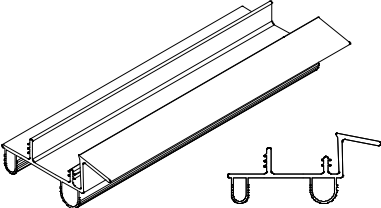
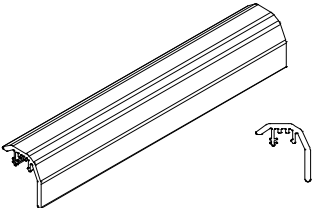
ILLUSTRATION NOT TO SCALE	DESCRIPTION	LENGTH/ COLOR	PART NO.
	<p>Standing Block, Stationary V2055 USAGE: 7/30/2012 – 8/29/2016 Includes: Clear double sided tape for installation.</p>		
	<p>Panel Sweep, Secondary V1890 USAGE: 08/31/2009 – 8/29/2016 NOTE: This part is handed for the actual panel it is applied to, not the handing of the entire unit.</p>		
	<p>Panel Sweep, Primary V1890 USAGE: 8/31/2009 – 8/29/2016</p>		
	<p>Sill Ramp, XX, OX/XO V1892 USAGE: 8/31/2009 – 8/29/2016 NOTE: V1892 can be used as a substitute for V794 sill weather strip.</p>		
	<p>CN 5-0 width CN 5-4 width CN 6-0 width</p>	<p>26" (660) 28" (711) 32" (813)</p>	<p>10501151 10501155 10501161</p>
	<p>CN 5-0/2-6 width – RH CN 5-0/2-6 width – LH CN 5-4/2-8 width – RH CN 5-4/2-8 width – LH CN 6-0/3-0 width – RH CN 6-0/3-0 width – LH</p>	<p>28 19/32" (726) 30 19/32" (777) 35 19/32" (879)</p>	<p>15919350 15919351 15919354 15919355 15919360 15919361</p>
	<p>CN 5-0 / 2-6 width CN 5-4 / 2-8 width CN 6-0 / 3-0 width</p>	<p>28 39/64" (726) 30 39/64" (777) 34 39/64" (879)</p>	<p>15919450 15919454 15919460</p>
	<p>CN 2-6 width CN 2-8 width CN 3-0 width CN 5-0 width CN 5-4 width CN 6-0 width</p>	<p>28 29/32" (734) 30 29/32" (785) 34 29/32" (887) 57 5/8" (1464) 61 5/8" (1565) 69 5/8" (1768)</p>	<p>15919526 15919528 15919530 15919550 15919554 15919560</p>


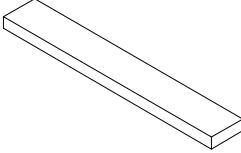
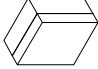
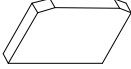
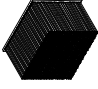
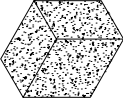
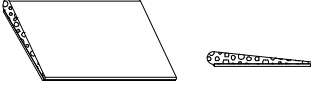
ILLUSTRATION NOT TO SCALE	DESCRIPTION	LENGTH/COLOR	PART NO.
	<p>Jamb Weather Strip Plug <i>USAGE: 6/1999 – 8/29/2016</i> <i>NOTE: Adhesive backed foam</i> 1/2" x 1/4" x 3</p>	<p>Beige</p>	<p>10500158</p>
	<p>Frame Sealant, Foam, Sill Liner <i>USAGE: 6/1999 – 8/29/2016</i> 1/16" x 3/8" Adhesive backed <i>Part is sold by LF – please specify length*</i></p>	<p>Gray</p>	<p>10500142*</p>
	<p>Foam Block, Panel Stop <i>USAGE: 6/1999 – 8/29/2016</i> 1" x 7/8" x 1/2"</p>	<p>Beige</p>	<p>10500383</p>
	<p>Foam Pad, Jamb/Panel <i>USAGE: 6/1999 – 8/29/2016</i> 1 5/8" x 1" x 3/16"</p>	<p>Beige</p>	<p>10500382</p>
	<p>Panel Sweep, Dust Block <i>USAGE: 6/1999 – 8/29/2016</i> 11/16" x 13/16" x 15/32"</p>	<p>Beige</p>	<p>10500381</p>
	<p>Balance Tube Foam Plug <i>USAGE: 6/1999 – 8/29/2016</i> <i>NOTE: Used on XO/OX configurations only.</i> 3/4" x 3/4" x 1/2"</p>	<p>White</p>	<p>10500104</p>
	<p>Wedge Seal <i>USAGE: 6/1999 – 8/29/2016</i> <i>NOTE: Used on X and XO/OX configurations.</i></p>	<p>Beige</p>	<p>01040368</p>

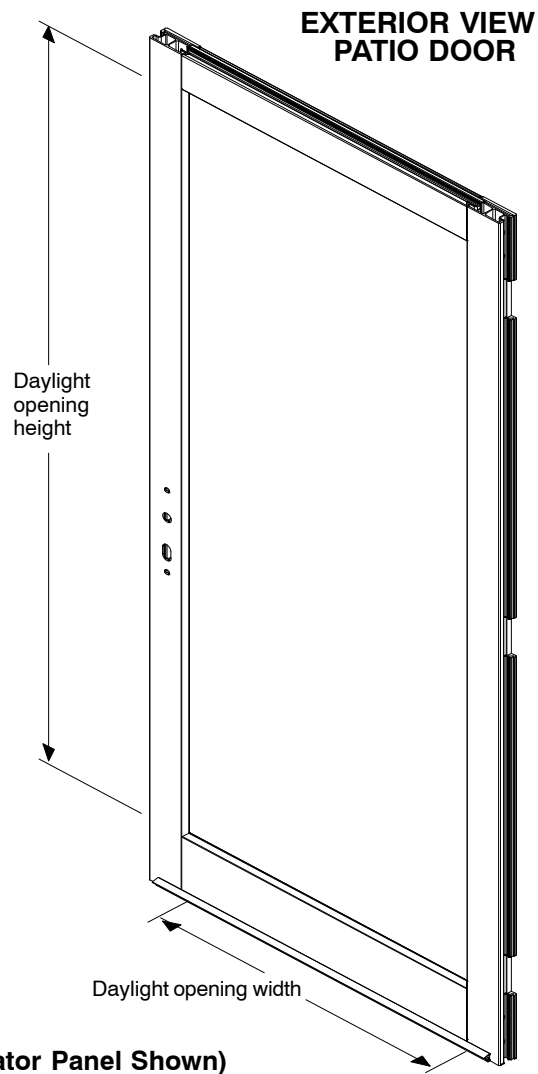
ILLUSTRATION NOT TO SCALE	DESCRIPTION	OPER./COLOR	PART NO.
	<p>Operator Panel Shipping Block V022 <i>NOTE: Used prior to 8/31/09.</i> 3" x 7/8" x 11/32"</p> <p><i>NOTE: Rigid PVC with 2-sided adhesive foam tape attached. 2 per stationary panel</i></p>	Beige	11860138
	<p>Panel Drip V1237 <i>NOTE: Usage: 03/01/2004 to 08/31/2009</i></p> <p>CN 2-6/5-0 width CN 2-8/5-4 width CN 3-0/6-0 width</p>	Beige	<p>15918150 15918154 15918160</p>
	<p>Astragal Weather Strip V019 <i>NOTE: Used prior to 8/31/09.</i> <i>NOTE: Astragal weather strip has a square cut on both ends.</i></p> <p>CN 6-5 height CN 6-8 height CN 8-0 height</p>	<p>75 3/4" (1924) 78 1/4" (1988) 91 3/4" (2381)</p>	<p>15971465 15971468 15971480</p>
	<p>Sill Weather Strip V794 <i>NOTE: Used prior to 8/31/09.</i></p> <p>CN 2-6 width CN 2-8 width CN 3-0 width CN 5-0 width CN 5-4 width CN 6-0 width</p>	Beige	<p>NA NA NA NA NA NA 15970061</p>
	<p>Stationary Panel Setting Block V1278 <i>NOTE: Used prior to 8/31/09.</i></p>	Beige	10500166
	<p>Stationary Stile Block <i>NOTE: Used prior to 8/31/09.</i> <i>NOTE: NOTE: Adhesive backed foam</i> 3/8" x 1/4" x 2"</p>		No longer available
	<p>Door Stop Gasket <i>NOTE: Used prior to 8/31/09.</i></p>		No longer available

ORDERING REPLACEMENT INSWING FRENCH DOOR PANELS

To order replacement panels specify:

1. Size; (verify manufacture date before ordering)
2. Operator or stationary;
3. Handing;
4. Stone White, Pebble Gray, Bronze, Evergreen, Cashmere or Ebony exterior;
5. Glazing;
6. Bare wood or white interior.

Panel Sizes for Swinging Door (ISD) Units Manufactured 1999 to 3/1/04			
Daylight Opening to Panel OM			
Daylight Width + 7 1/4" (181) = OM Width of Panel			
Daylight Height + 9 5/8" (244) = OM Height of Panel			
WIDTH		HEIGHT	
Size	OM Width	Size	OM Height
2-6	28 19/32" (726)	6-8	79 7/32" (2012)
3-0	35 3/32" (891)		
5-0	28 19/32" (726)		
6-0	35 3/32"		



NOTE: Operating panels include multipoint lock assembly, panel sweep with gaskets, and wood backers. Stationary panels include panel sweep with gaskets, stationary panel spacer and stile foam block. Hinges are only included on stationary panels pre 3/2004.

Daylight opening is the measurement of visible glass.

ORDERING SLIDING REPLACEMENT SCREENS FOR SWINGING DOOR – (OX/XO UNITS)

Screens are standard with a color matched aluminum surround and charcoal colored fiberglass 18 x 16 screen mesh. Determine the outside measurement of the existing screen. Find the sizes that correspond to the width and height indicated on the following chart.

When ordering replacement screen specify:

1. Size; if there is no existing screen from which to obtain the OM of the screen, determine the size of the screen by using the conversion chart below. The daylight opening is the measurement of the visible glass.
2. Hanging;
3. Color– Stone White, Pebble Gray, Bronze, Evergreen, Cashmere and Ebony.


Elevate Swinging Door Screen (ISD) Sizes Sliding Screen Units Manufactured 1999 to 2003			
Daylight Opening to OM of screen			
Daylight Width + 7 27/32" (199) = OM Width of Screen			
Daylight Height + 9 13/32" (239) = OM Height of Screen			
WIDTH		HEIGHT	
Size	OM Width	Size	OM Height
5-0	29 3/16" (741)	6-8	79 5/16" (2015)
6-0	35 11/16" (906)		

Elevate Swinging Door Screen (ISD) Sizes Sliding Screen Units Manufactured 2003 to 3/1/04			
Daylight Opening to OM of screen			
Daylight Width + 7 27/32" (199) = OM Width of Screen			
Daylight Height + 10 9/16" (268) = OM Height of Screen			
WIDTH		HEIGHT	
Size	OM Width	Size	OM Height
5-0	29 3/16"	6-8	80 1/4" (2038)
6-0	35 11/16"		


ATTENTION: The Elevate Swinging Door Sliding screen profile changed between February 2002 and May 2003.

- White screen profiles changed on 2/4/2002, along with a color change from Arctic White* to Stone White. The roller bar (A213) and screen track (A214) were still used.
- On 5/6/2003 Stone White and Pebble screens changed to the new profile but use an integral roller bar instead of the old A213 roller bar and A214 screen track.
- Refer to illustrations below to identify screen type.


Pre 2/4/02



2/4/02 to 5/5/03



5/6/03 to Present



ORDERING SWINGING REPLACEMENT SCREENS FOR SWINGING DOOR/INSWING FRENCH DOOR – (X AND XX)

Screens are standard with a color matched aluminum surround and charcoal colored fiberglass 18 x 16 screen mesh. Determine the outside measurement of the existing screen. Find the sizes that correspond to the width and height indicated on the following chart.

When ordering replacement screen specify:

1. Size; if there is no existing screen from which to obtain the OM of the screen, determine the size of the screen by using the conversion chart below. The daylight opening is the measurement of the visible glass.
2. Handing;
3. Color– Stone White, Pebble Gray, Bronze, Evergreen, Cashmere or Ebony.

<p>Elevate Swinging Door Screen (ISD) Sizes Swinging Screen Units Manufactured 1999 to 3/1/04 Daylight Opening to OM of screen Daylight Width + 7 7/32" (183) = OM Width of Screen Daylight Height + 5 3/16" (132) = OM Height of Screen</p>			
WIDTH		HEIGHT	
Size	OM Width	Size	OM Height
2-6	28 9/16" (725)	6-8	79 7/8"
3-0	35 3/16" (893)		

NOTE: Swinging screens are available in X and XX configurations. Replacement swinging screens contain the following components: installation instructions, handle kit, closure kit, bottom expander and sweep, head jamb, hinge-jamb and latch-jamb z bar. XX configurations also include astragal kit.

When ordering patio door replacement screen parts specify:

1. Description;
2. Part number;
3. Quantity.

SWINGING SCREEN

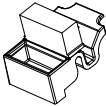
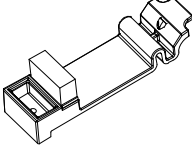
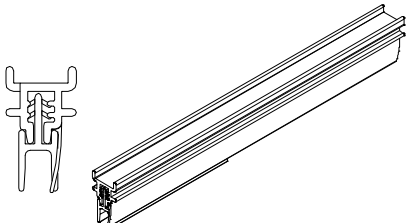
ILLUSTRATION NOT TO SCALE	DESCRIPTION	COLOR	PART NO.
	<p>Swinging Screen Receptacle, 4 9/16" <i>USAGE: 6/1999 – 8/29/2016</i> <i>Includes:</i> 1 – Receptacle 1 – Dust block, 10500141</p>		10815128
	<p>Swinging Screen Receptacle, 6 9/16" <i>USAGE: 6/1999 – 8/29/2016</i> <i>Includes:</i> 1 – Receptacle and adhesive tape 1 – Dust block, 10500141 1 – #8 x 1/2 stainless steel panhead screw 11800532</p>		10815129
	<p>Screen Roller Guide Assembly <i>USAGE: 6/1999 – 8/29/2016</i> <i>Includes:</i> Screen roller seal and guides</p>	CN 5-0 CN 5-4 CN 5-10 CN 6-0/9-0	15918050 15918054 15918510 15918060

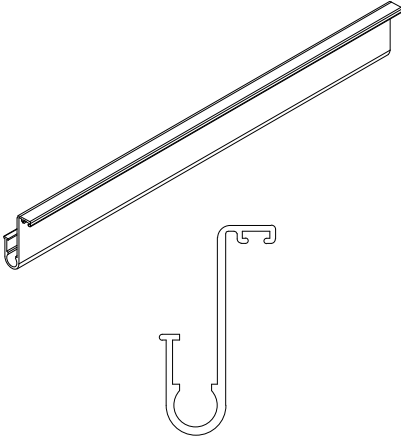
ILLUSTRATION NOT TO SCALE	DESCRIPTION	COLOR	PART NO.
	<p>Jamb-Hinge Screen Z-Bar <i>USAGE: 6/1999 – 8/29/2016</i> <i>Includes: Jamb-hinge screen z bar jamb and mounting screws</i> <i>NOTE: Jamb-Hinge screen z-bar has a 45 degree cut on one end and a square cut on one end. Handing is from the exterior</i></p>		
	<p>CN 6-5 height – 78 15/16" (2005) <i>Includes:</i> 1 – Z-Bar 8 – #8 x 5/8" Phillips FH screws</p>	Stone White RH 17037265 Stone White LH 17037266 Pebble RH 17017365 Pebble LH 17017366 Bronze RH 17047265 Bronze LH 17047266 Evergreen RH 17047365 Evergreen LH 17047366 Cashmere RH 17047665 Cashmere LH 17047666 Ebony RH 17047865 Ebony LH 17047866	
	<p>CN 6-8 height – 81 7/16" (2069) <i>Includes:</i> 1 – Z-Bar 8 – #8 x 5/8" Phillips FH screws</p>	Stone White RH 17037268 Stone White LH 17037269 Pebble RH 17017368 Pebble LH 17017369 Bronze RH 17047268 Bronze LH 17047269 Evergreen RH 17047368 Evergreen LH 17047369 Cashmere RH 17047668 Cashmere LH 17047669 Ebony RH 17047868 Ebony LH 17047869	
	<p>CN 7-0 height – 85 7/16" (2170) <i>Includes:</i> 1 – Z-Bar 8 – #8 x 5/8" Phillips FH screws</p>	Stone White RH 17037270 Stone White LH 17037271 Pebble RH 17017370 Pebble LH 17017371 Bronze RH 17047270 Bronze LH 17047271 Evergreen RH 17047370 Evergreen LH 17047371 Cashmere RH 17047670 Cashmere LH 17047671 Ebony RH 17047870 Ebony LH 17047871	
	<p>CN 8-0 height – 94 15/16" (2411) <i>Includes:</i> 1 – Z-Bar 10 – #8 x 5/8" Phillips FH screws</p>	Stone White RH 17037280 Stone White LH 17037281 Pebble RH 17017380 Pebble LH 17017381 Bronze RH 17047280 Bronze LH 17047281 Evergreen RH 17047380 Evergreen LH 17047381 Cashmere RH 17047680 Cashmere LH 17047681 Ebony RH 17047880 Ebony LH 17047881	

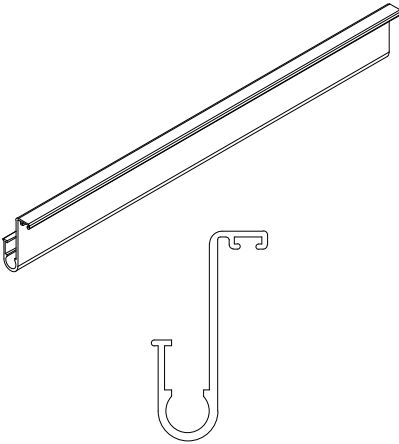
ILLUSTRATION NOT TO SCALE	DESCRIPTION	COLOR	PART NO.
	<p>Jamb-Latch Screen Z-Bar <i>USAGE: 6/1999 – 8/29/2016</i> <i>Includes: Jamb-latch screen z-bar and mounting screws</i> NOTE: Jamb-latch screen z-bar has a 45 degree cut on one end and a square cut on one end. Handing is from the exterior</p>		
	CN 6-5 height – 78 15/16" (2005)	Stone White RH 17037465 Stone White LH 17037466 Pebble RH 17017565 Pebble LH 17017566 Bronze RH 17047465 Bronze LH 17047466 Evergreen RH 17047565 Evergreen LH 17047566 Cashmere RH 17047765 Cashmere LH 17047766 Ebony RH 17047965 Ebony LH 17047966	
	CN 6-8 height – 81 7/16" (2069)	Stone White RH 17037468 Stone White LH 17037469 Pebble RH 17017568 Pebble LH 17017569 Bronze RH 17047468 Bronze LH 17047469 Evergreen RH 17047568 Evergreen LH 17047569 Cashmere RH 17047768 Cashmere LH 17047769 Ebony RH 17047968 Ebony LH 17047969	
	CN 7-0 height – 85 7/16" (2170)	Stone White RH 17037470 Stone White LH 17037471 Pebble RH 17017570 Pebble LH 17017571 Bronze RH 17047470 Bronze LH 17047471 Evergreen RH 17047570 Evergreen LH 17047571 Cashmere RH 17047770 Cashmere LH 17047771 Ebony RH 17047970 Ebony LH 17047971	
	CN 8-0 height – 94 15/16" (2411)	Stone White RH 17037480 Stone White LH 17037481 Pebble RH 17017580 Pebble LH 17017581 Bronze RH 17047480 Bronze LH 17047481 Evergreen RH 17047580 Evergreen LH 17047581 Cashmere RH 17047780 Cashmere LH 17047781 Ebony RH 17047980 Ebony LH 17047981	

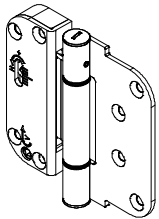
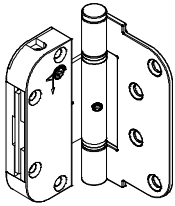
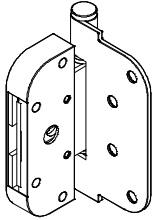
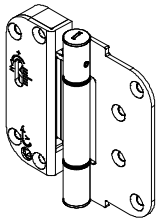
ILLUSTRATION NOT TO SCALE	DESCRIPTION	OPER./COLOR	PART NO.
 <p>NOTE: Screws are color matched</p>	<p>Non Handed Hinge NOTE: Usage: 2/22/2010 to 8/29/2016 3 kits for 6/5 and 6/8 heights 4 kits for 7/0 and 8/0 heights</p> <p>3 – #8 x 5/8" Phillips flat head screws (into panel) 4 – #8 x 1 1/2" Phillips flat head screws (into jamb) 1 – #8 x 2 1/2" Installation screw (into jamb)</p>	<p>BS PVD SN PVD GT GY DKBN WH AF</p>	
<p>Set hinge</p>  <p>NOTE: Center hinge(s) with vertical adjustment. Hinges are non-handed and may be set as 'left' or 'right' using pin placement</p>	<p>Set Hinge USAGE: 03/01/2004 to 02/21/2010</p> <p>1 – 6/5 and 6/8 heights 1 – 8/0 heights</p> <p>4 – #8 x 1 1/2" Phillips flat head screws (into panel) 3 – #8 x 5/8" Phillips flat head screws (into jamb) 1 – #8 x 2 1/2" Installation screw (into jamb)</p>	<p>WH DKBN GT GY</p>	<p>Discontinued Replace with adjustable hinge, L/R.</p>
<p>Guide hinge</p>  <p>NOTE: Top or bottom hinge with horizontal adjustment. Hinges are non-handed and may be set as 'left' or 'right' using pin placement</p>	<p>Guide Hinge USAGE: 3/2004–02/21/2010</p> <p>2 – 6/5, 6/8 heights 3 – 8/0 heights</p> <p>3 – #8 x 5/8" Phillips flat head screws (into jamb) 1 – #8 x 2 1/2" Installation screw (into jamb)</p>	<p>WH DKBN GT GY</p>	<p>Please specify total hinge quantity on unit when placing Field Service order</p>
 <p>NOTE: Hinges contain vertical and horizontal adjustment. Hinges are non-handed.</p>	<p>Non Handed Hinge Update Kit USAGE: Pre 3/2004 NOTE: One kit needed per door update.</p> <p>3 – Hinges 24 – #8x1 1/2 screws 3 – Hinge spacer Block Instructions</p> <p>3 – Hinges 9 – #8x5/8 Phillips Flat Head screws 12 – #8x1 1/2 Phillips Flat Head screws 3 – #8x21/2 screws Instructions</p>	<p>XO/OX SW</p> <p>XO/OX PB</p> <p>X-L/X-R</p>	

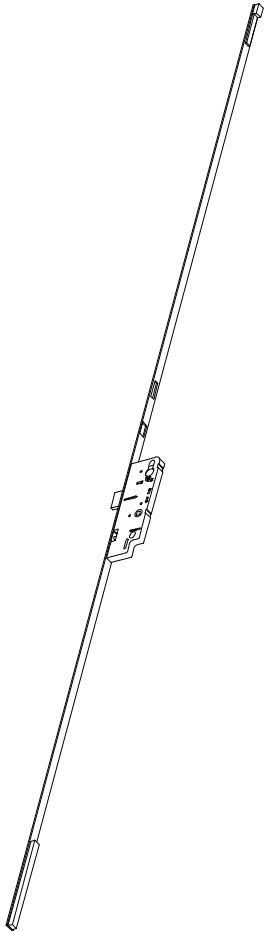
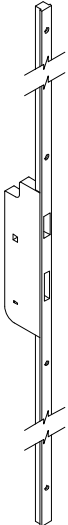
ILLUSTRATION NOT TO SCALE	DESCRIPTION	OPER./COLOR	PART NO.
	<p>Primary Multi-Point Lock Assembly <i>NOTE: Usage: March 2004–March 2007</i></p> <p><i>Includes:</i> 1 – Lock assembly with faceplate, deadbolt, and shootbolts 12 – #6 x 1 1/2" Phillips beige flathead screws 11800480</p> <p><i>NOTE: Replace with current part for active multi-point. Refer to instruction 19915731 for retrofit information</i></p> <p style="text-align: right;">* CN 6-5 * CN 6-8 * CN 8-0</p>	WH	Discontinued Discontinued Discontinued
	<p>Secondary Multi-Point Lock Assembly <i>NOTE: Usage: March 2004–March 2007</i></p> <p><i>Includes:</i> 1 – Lock assembly with faceplate, deadbolt, and shootbolts 12 – #6 x 1 1/2" Phillips beige flathead screws 11800480</p> <p><i>NOTE: Replace with current part for active multi-point. Refer to instruction 19915731 for retrofit information</i></p> <p style="text-align: right;">CN 6-5 CN 6-8 CN 8-0</p>	WH	Discontinued Discontinued Discontinued

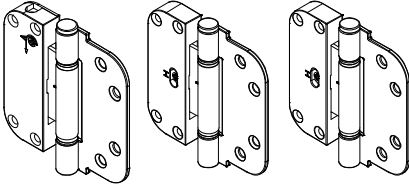
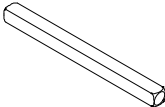
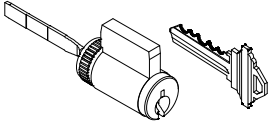
ILLUSTRATION NOT TO SCALE	DESCRIPTION	OPER./COLOR	PART NO.
	<p><i>USAGE: 1999 – 03/01/2004</i></p> <p><i>Note: Hinge Spacer blocks require replacement with current, when this obsolete hinge is replaced with current.</i></p> <p><i>Only Stone White (11860167) & Pebble (11860166) were available during this date range.</i></p>	<p>Gold Tone</p>	<p>Discontinued replace with current hinge update kit</p>
	<p>Spindle <i>USAGE: 2004–03/2007</i></p>		<p>NA Substitute with 11860962</p>
	<p>Keyed Cylinder with Keys <i>USAGE: 2004–03/2007</i> <i>NOTE: Schlage cylinder</i></p>		<p>NA</p>

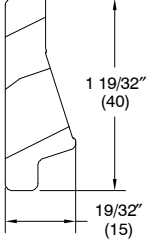
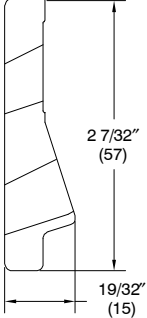
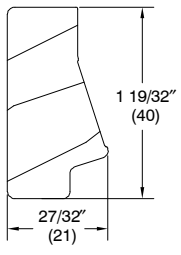
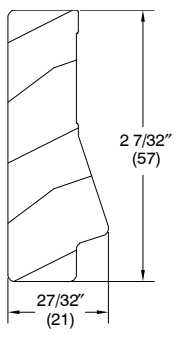
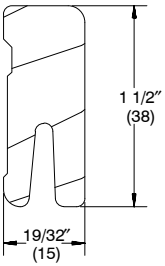
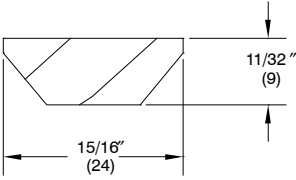
ILLUSTRATION <i>NOT TO SCALE</i>	DESCRIPTION	LENGTH	BARE WOOD PART NO.	WHITE INTERIOR PART NO.
	<p>Oak Sill Liner W12710 <i>USAGE: 8/29/2016 – 10/29/2018</i></p> <p>CN 2-6 width CN 2-8 width CN 3-0 width CN 5-0 width CN 5-4 width CN 6-0 width</p>	<p>30 5/16" (770) 32 5/16" (821) 36 5/16" (923) 59" (1499) 63" (1600) 71" (1803)</p>	<p>No Longer Available replace with V2736</p>	
	<p>Oak Sill Liner – HP/IZ3 W12496 <i>USAGE: 8/29/2016 – 10/29/2018</i></p> <p>CN 2-6 width CN 2-8 width CN 3-0 width CN 5-0 width CN 5-4 width CN 6-0 width</p>	<p>30 5/16" (770) 32 5/16" (821) 36 5/16" (923) 59" (1499) 63" (1600) 71" (1803)</p>	<p>No Longer Available replace with V2960</p>	
	<p>Oak Sill Liner for 6 13/16" Jambs W12879 <i>USAGE: 8/29/2016 – 10/29/2018</i></p> <p>CN 2-6 width CN 2-8 width CN 3-0 width CN 5-0 width CN 5-4 width CN 6-0 width</p>	<p>30 5/16" (770) 32 5/16" (821) 36 5/16" (923) 59" (1499) 63" (1600) 71" (1803)</p>	<p>No Longer Available replace with V2934</p>	
	<p>Oak Sill Liner – HP/IZ3 for 6 13/16" Jambs W12876 <i>USAGE: 8/29/2016 – 10/29/2018</i></p> <p>CN 2-6 width CN 2-8 width CN 3-0 width CN 5-0 width CN 5-4 width CN 6-0 width</p>	<p>30 5/16" (770) 32 5/16" (821) 36 5/16" (923) 59" (1499) 63" (1600) 71" (1803)</p>	<p>No Longer Available replace with V2954</p>	

ILLUSTRATION NOT TO SCALE	DESCRIPTION	LENGTH	BARE WOOD PART NO.	WHITE INTERIOR PART NO.
	<p>Oak Sill Liner W2528 NOTE: Usage dates: 8/31/09 – 8/29/2016</p> <p>Includes: 1 – Sill liner 2 – #8 x 1 1/2" Phillips self tapping pan head screws – 11865161</p> <p>NOTE: White interior part is clear lacquered.</p> <p>CN 2–6 width 30 3/16" (767) CN 2–8 width 32 13/64" (818) CN 3–0 width 36 3/16" (919) CN 5–0 width 58 7/8" (1495) CN 5–4 width 62 7/8" (1597) CN 6–0 width 70 7/8" (1800)</p>			<p>No longer available. Replace with V2935.</p>
	<p>Stationary Panel Setting Block W10636 NOTE: Discontinued July 30, 2012. Replaced with V2055. See Weather Strip and Vinyl section.</p>			<p>No longer available</p>