

**ELEVATE CASEMENT NARROW FRAME  
ELEVATE AWNING NARROW FRAME  
ELEVATE CASEMENT NARROW FRAME PICTURE AND TRANSOM**

**Table of Contents**

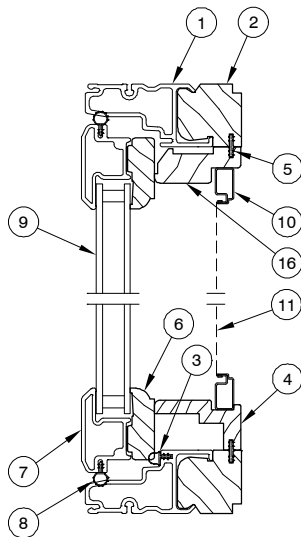
	<b>PAGE</b>
History .....	2
Part Identification – Casement Narrow Frame Operator .....	3
Part Identification – Awning Narrow Frame Operator .....	4
Part Identification – Casement Narrow Frame Stationary/Picture .....	5
<b>Parts</b>	
Hardware .....	6
Wood Parts .....	13
Weather Strip and Vinyl .....	15
Casement Narrow Frame Sash Replacement .....	17
Awning Narrow Frame Sash Replacement .....	18
Screen Replacement .....	20
Screen Parts .....	21

**ATTENTION:**

- Specification and technical data are subject to change without notice.
- Numbers listed in parentheses ( ) are metric equivalents in millimeters rounded to the nearest whole number.

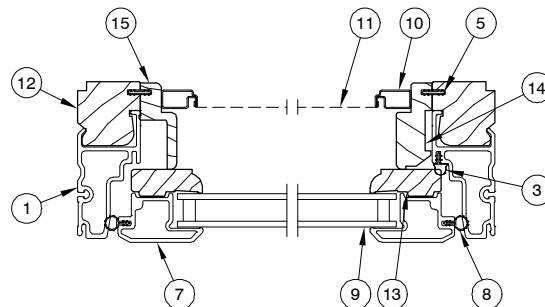
PRODUCED	UNIT TYPE	FEATURES OR CHANGES	STATUS
August 2014	Casement and Awning Narrow Frame	August 25, 2014: Introduced Casement and Awning Narrow Frame Products	Present
August 2015	Awning Narrow Frame	August 31, 2015: Introduced awning sash limiter option	Present
December 2017	Casement and Awning Narrow Frame	December 18, 2017: Added the availability of customer specified divided lite cut configurations for SDL with and with out spacer bar and GBG. To include simulated check rail and allow any color GBG to the exterior only for standard and special sized units.	Present
October 2018	Casement and Awning Narrow Frame	October 29, 2018: Introduced Designer Black and Clear interior finishes and Matte Black hardware option. Low E3 ERS glass type was added.	Present
December 2018	Casement and Awning Narrow Frame	December 17, 2018: Introduced textured glass types: Reed, Narrow Reed, Rain, Glue Chip and Frost and also colored glass types: Clear, Bronze, Gray and Green.	Present
December 2019	Casement and Awning Narrow Frame	December 16, 2019: Discontinued the sale of Wood Removable Grilles.	Present

**Casement Narrow Frame Operator**



- 1. Frame Cladding
- 2. Head Jamb Liner, Wood
- 3. Foam Weather Strip
- 4. Sill Cover
- 5. Connecting Barb
- 6. Wood Rail
- 7. Sash Cladding
- 8. Sash Weather Strip
- 9. Insulating Glass
- 10. Screen Frame
- 11. Screen
- 12. Jamb Liner, Wood
- 13. Wood Stile
- 14. Jamb Stop, Stationary
- 15. Jamb Stop, Operator
- 16. Jamb Stop, Head Jamb

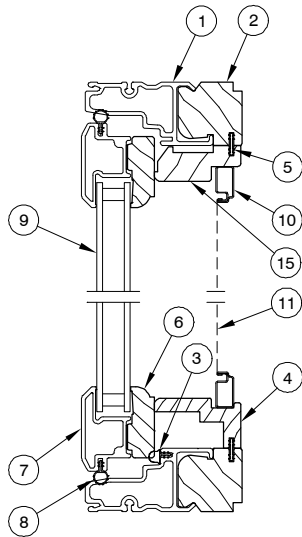
**Head Jamb  
and Sill**



**Jamb**

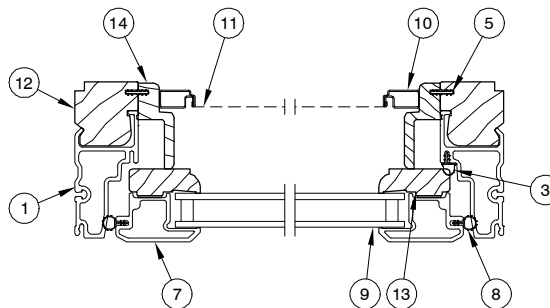
NOTE: Not to scale; specifications subject to change without notice.

**Awning Narrow Frame Operator**



- 1. Frame Cladding
- 2. Head Jamb Liner, Wood
- 3. Foam Weather Strip
- 4. Sill Cover
- 5. Connecting Barb
- 6. Wood Rail
- 7. Sash Cladding
- 8. Sash Weather Strip
- 9. Insulating Glass
- 10. Screen Frame
- 11. Screen
- 12. Jamb Liner, Wood
- 13. Wood Stile
- 14. Jamb Stop, Operator
- 15. Jamb Stop, Head Jamb

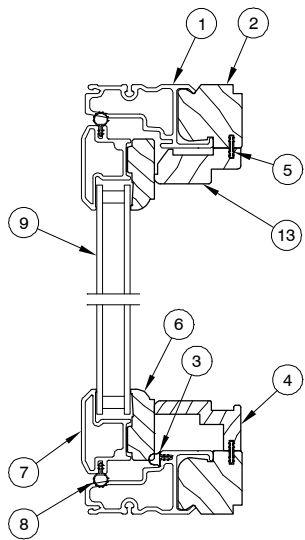
**Head Jamb  
and Sill**



**Jamb**

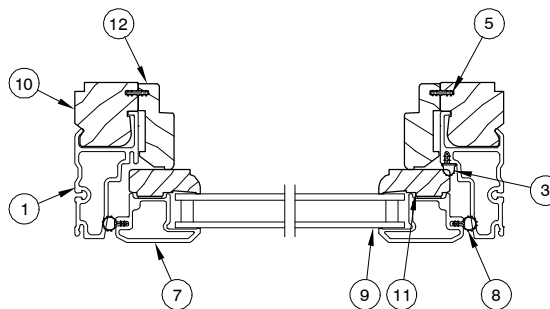
NOTE: Not to scale; specifications subject to change without notice.

**Casement Narrow Frame Stationary/Picture**



- 1. Frame Cladding
- 2. Head Jamb Liner, Wood
- 3. Foam Weather Strip
- 4. Sill Cover
- 5. Connecting Barb
- 6. Wood Rail
- 7. Sash Cladding
- 8. Sash Weather Strip
- 9. Insulating Glass
- 10. Jamb Liner Wood
- 11. Wood Stile
- 12. Jamb Stop, Stationary
- 13. Jamb Stop, Head Jamb

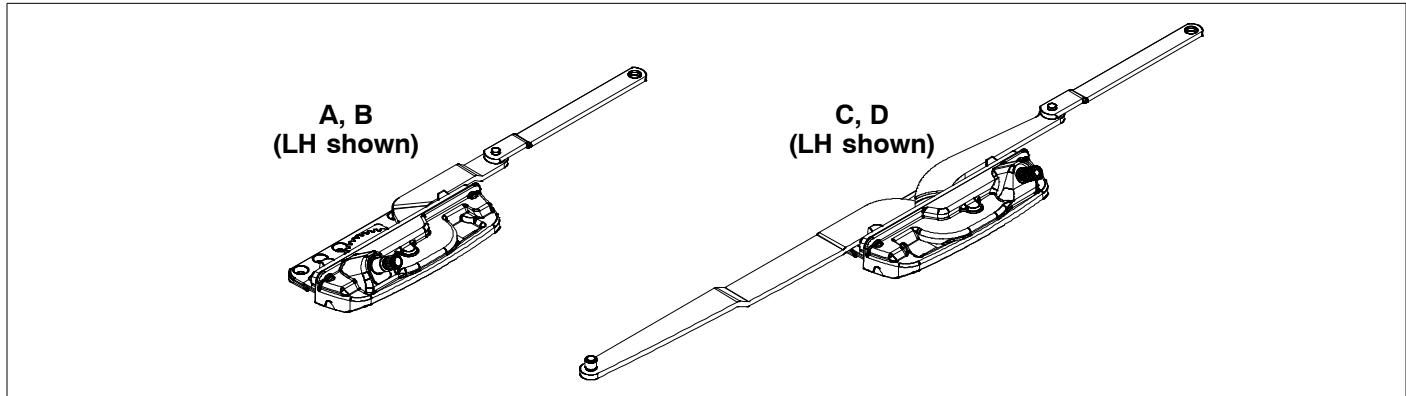
**Head Jamb  
and Sill**



**Jamb**

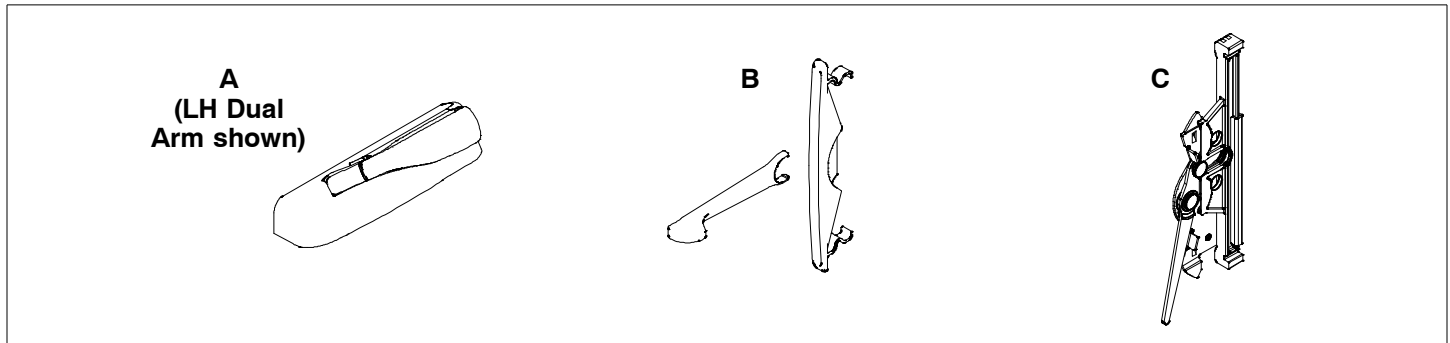
NOTE: Not to scale; specifications subject to change without notice.

**CASEMENT NARROW FRAME**



Description		Part Number
<b>A: Dyad Operator Roto-gear</b> Usage: 8/25/2014 to Present Includes fasteners: 4 – #8 x 7/8" (22), PH, Flat AB, Steel w/ZYC	RH	10896280
	LH	10896279
<b>B: Dyad Operator Roto-gear, Coastal</b> Usage: 8/25/2014 to Present Includes fasteners: 4 – #8 x 7/8" (22), PH, Flat AB, Steel w/ZYC	RH	11896714
	LH	11896713
<b>C: Dual Arm Operator Roto-gear</b> Usage: 8/25/2014 to Present Includes fasteners: 4 – #8 x 7/8" (22), PH, Flat AB, Steel w/ZYC	RH	10896282
	LH	10896281
<b>D: Dual Arm Operator Roto-gear, Coastal</b> Usage: 8/25/2014 to Present Includes fasteners: 4 – #8 x 7/8" (22), PH, Flat AB, Steel w/ZYC	RH	11896716
	LH	11896715

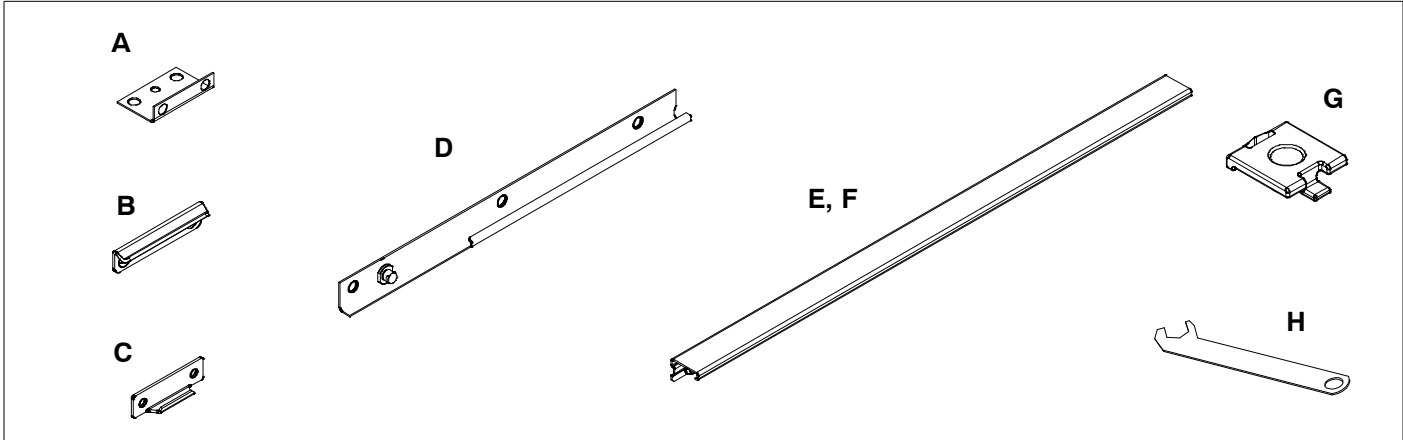
**CASEMENT NARROW FRAME**



Description	RH Dyad LH Dual Part No.	LH Dyad RH Dual Part No.
<b>A: Folding Handle/Cover</b> Usage: 8/25/2014 to Present		
Dyad used on units with IO width less than 24 3/8"	Almond Frost White	10896251 10896254
Dual Arm used on units with IO width 24 3/8" or greater	Oil Rubbed Bronze Satin Nickel Brass Matte Black	10896253 10896306 10896305 10896304 10896318

Description	Part Number
<b>B: Lock Drive Handle and Escutcheon</b> Usage: 9/24/2007 to Present	Almond Frost White Oil Rubbed Bronze Satin Nickel Brass Matte Black 10895019 10895018 10895020 10895021 10895022 10895023
<b>C: Lock Drive Assembly</b> Usage: 9/24/2007 to Present Includes fasteners: 3 - #7 x 3/4" (19), PH, Flat, AB, Steel w/ZYC	10896265

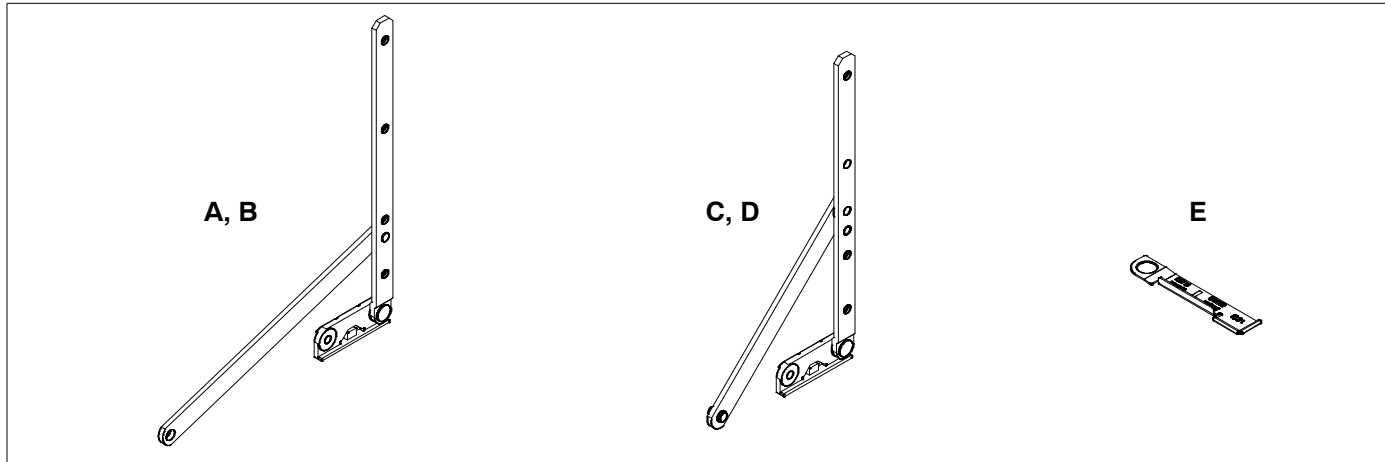
**CASEMENT NARROW FRAME**



Description		Part Number
<b>A: Stationary Bracket</b> Includes fasteners: 2 - #8 x 1" (25), PH, Flat AB, Steel w/ZYC 2 - #8 x 1/2" (13), PH, Flat UC, Steel w/ZYC		11841100
<b>A: Stationary Bracket - Coastal</b> Includes fasteners: 2 - #8 x 1" (25), PH, Flat AB, Steel w/ZYC 2 - #8 x 1/2" (13), PH, Flat UC, Steel w/ZYC		11896736
<b>B: Concealed Snubber</b> Includes fasteners: 2 - 5/32" x 5/16" (8) Peel rivets		11841111
<b>C: Interlocking Snubber</b> Includes fasteners: 4 - #7 x 5/8" (16), PH, Flat, UC, Stainless Steel		10896275
<b>D: Adjustable Hinge Track</b> Includes fasteners: 3 - #7 x 5/8" (16), PH, Flat, UC, Stainless Steel	Used on: ELCANF units with IO width 24 3/8" or greater Stainless Steel	UL-LR 10896284 LL-UR 10896283
<b>E: Guide Track</b> Includes fasteners: 3 - #7 x 1 1/4" (32), PH, Flat, Steel w/ZYC	Used on: ELCANF units with IO width 24 3/8" or greater	10896276
<b>F: Guide Track - Coastal</b> Includes fasteners: 3 - #7 x 1 1/4" (32), PH, Flat, Stainless Steel	Used on: ELCANF units with IO width 24 3/8" or greater Stainless Steel	11896717
<b>G: Guide Track Shoe</b>		10896277
<b>H: 3/8" Open Ended Wrench</b>		10814840

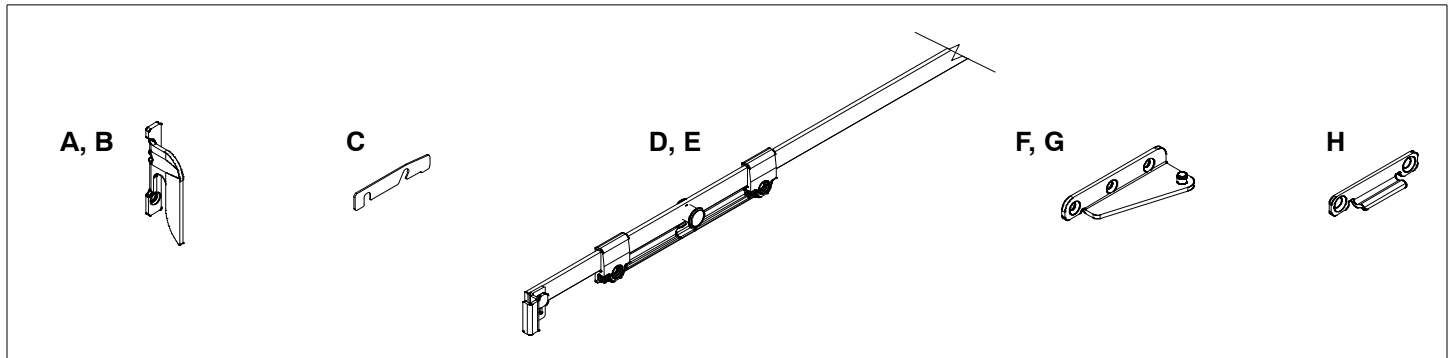


**CASEMENT NARROW FRAME**



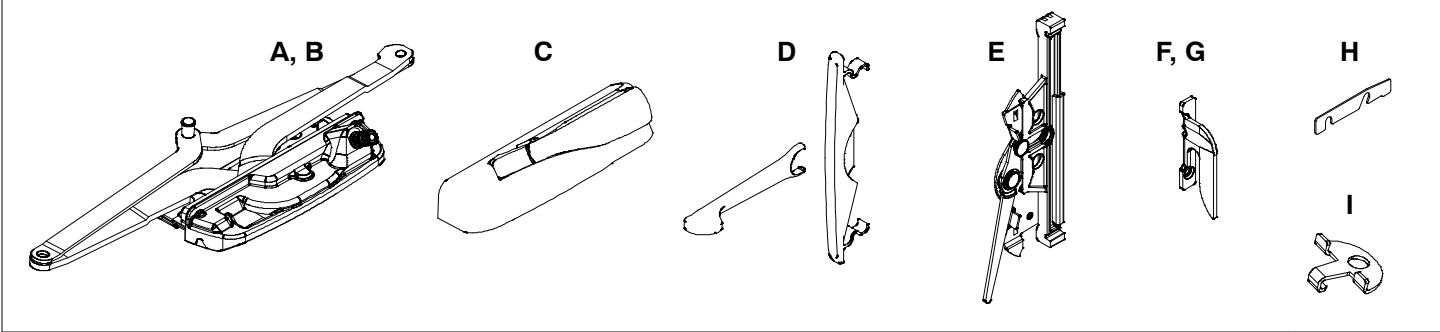
Description		Part Number		
<b>A: Hinge Arm Assembly–Egress</b> Includes fasteners: 2 – #7 x 5/8" (16), PH, Flat, AB-17, Steel w/ZYC	Used on: ELCANF Egress units with IO widths of 26 1/2" to 29 23/64"	RH	UL-LR	10896272
		LH	LL-UR	10896273
<b>B: Hinge Arm Assembly Coastal–Egress</b> Includes fasteners: 4 – #7 x 5/8" (16), PH, Flat, AB-17, Stainless Steel	Used on: ELCANF Egress units with IO widths of 26 1/2" to 29 23/64"	RH	UL-LR	11896723
		LH	LL-UR	11896722
<b>C: Hinge Arm Assembly</b> Includes fasteners: 4 – #7 x 5/8" (16), PH, Flat, AB-17, Steel w/ZYC	Used on: ELCANF units with IO widths less than 26 1/2" or more than 29 23/64"	RH	UL-LR	10814755
		LH	LL-UR	10814754
<b>D: Hinge Arm Assembly, Coastal</b> Includes fasteners: 4 – #7 x 5/8" (16), PH, Flat, AB-17, Stainless Steel	Used on: ELCANF units with IO widths less than 26 1/2" or more than 29 23/64"	RH	UL-LR	11896721
		LH	LL-UR	11896720
<b>E: Hinge Limiter</b>	Used on: ELCANF units with IO width greater than 29 3/8"	Stainless Steel	RH	11862601
			LH	11862602

**CASEMENT NARROW FRAME**

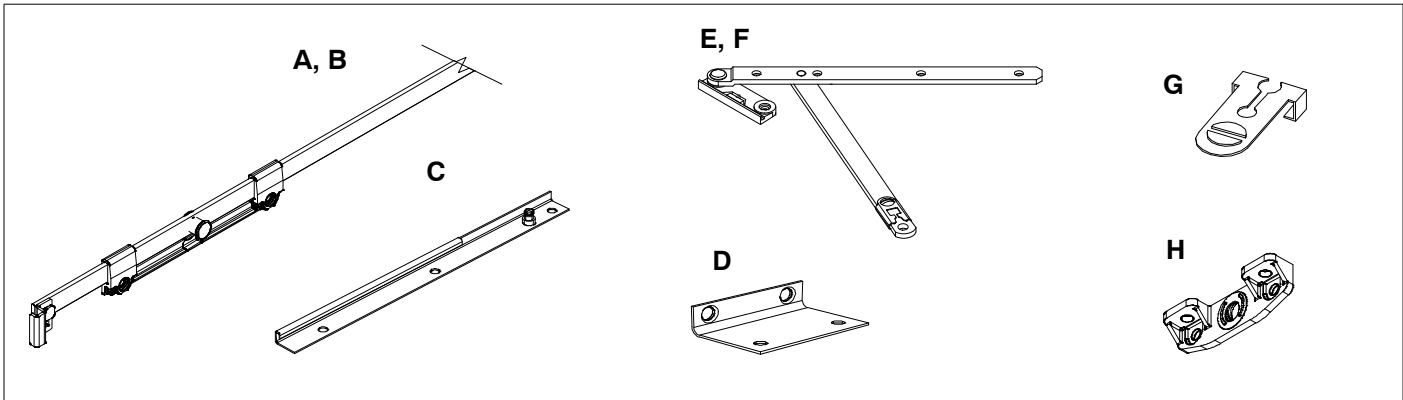


Description	Part Number																		
<p><b>A: Keeper</b> Usage: 9/24/2007 to Present Keeper quantity needed for: I.O. Height 31 1/2" (800) or less (1 EA) I.O. Height 31 33/64" (801) to 47 1/2" (1206) (2 EA) I.O. Height 47 33/64" (1207) or greater (3 EA) Recommended fasteners: 2 needed per keeper: #7 x 1 1/4", PH, Flat, AB E-Gard - 11800743, BK - 11800943</p>	<table border="0"> <tr> <td>E-Gard</td> <td>RH</td> <td>10896267</td> </tr> <tr> <td>E-Gard</td> <td>LH</td> <td>10896266</td> </tr> <tr> <td>Black</td> <td>RH</td> <td>11862913</td> </tr> <tr> <td>Black</td> <td>LH</td> <td>11862914</td> </tr> </table>	E-Gard	RH	10896267	E-Gard	LH	10896266	Black	RH	11862913	Black	LH	11862914						
E-Gard	RH	10896267																	
E-Gard	LH	10896266																	
Black	RH	11862913																	
Black	LH	11862914																	
<p><b>B: Keeper, Coastal</b> Usage: 6/2/2008 to Present Keeper quantity needed for: I.O. Height 31 1/2" (800) or less (1 EA) I.O. Height 31 33/64" (801) to 47 1/2" (1206) (2 EA) I.O. Height 47 33/64" (1207) or greater (3 EA) Recommended fasteners: 2 needed per keeper: #7 x 1 1/4", PH, Flat, AB, Stainless Steel, 11806110</p>	<table border="0"> <tr> <td>Stainless Steel</td> <td>RH</td> <td>11862613</td> </tr> <tr> <td></td> <td>LH</td> <td>11862614</td> </tr> </table>	Stainless Steel	RH	11862613		LH	11862614												
Stainless Steel	RH	11862613																	
	LH	11862614																	
<p><b>C: Keeper Shim</b> Usage: 11/2019 to Present</p>	<table border="0"> <tr> <td>White</td> <td></td> <td>10500617</td> </tr> <tr> <td>Black</td> <td></td> <td>10500618</td> </tr> </table>	White		10500617	Black		10500618												
White		10500617																	
Black		10500618																	
<p><b>D: Lock Bar Assembly</b> Includes fasteners: 2, 4, or 6 - #7 x 3/4" (19), PH, Pan, AB, Stainless Steel</p>	<table border="0"> <tr> <td>IO Height 34 1/4" (869) or less</td> <td></td> <td>10896255</td> </tr> <tr> <td>IO Height 34 17/64" (870) to 42 1/4" (1073)</td> <td></td> <td>10896256</td> </tr> <tr> <td>IO Height 42 17/64" (1074) to 54 1/4" (1378)</td> <td></td> <td>10896257</td> </tr> <tr> <td>IO Height 54 17/64" (1379) to 61 1/4" (1555)</td> <td></td> <td>10896258</td> </tr> <tr> <td>IO Height 61 17/64" (1556) to 70 1/4" (1784)</td> <td></td> <td>10896259</td> </tr> <tr> <td>IO Height 70 17/64" (1785) or greater</td> <td></td> <td>10896260</td> </tr> </table>	IO Height 34 1/4" (869) or less		10896255	IO Height 34 17/64" (870) to 42 1/4" (1073)		10896256	IO Height 42 17/64" (1074) to 54 1/4" (1378)		10896257	IO Height 54 17/64" (1379) to 61 1/4" (1555)		10896258	IO Height 61 17/64" (1556) to 70 1/4" (1784)		10896259	IO Height 70 17/64" (1785) or greater		10896260
IO Height 34 1/4" (869) or less		10896255																	
IO Height 34 17/64" (870) to 42 1/4" (1073)		10896256																	
IO Height 42 17/64" (1074) to 54 1/4" (1378)		10896257																	
IO Height 54 17/64" (1379) to 61 1/4" (1555)		10896258																	
IO Height 61 17/64" (1556) to 70 1/4" (1784)		10896259																	
IO Height 70 17/64" (1785) or greater		10896260																	
<p><b>E: Lock Bar Assembly, Coastal</b> Includes fasteners: 2, 4, or 6 - #7 x 3/4" (19), PH, Pan, AB, Stainless Steel</p>	<table border="0"> <tr> <td>IO Height 34 1/4" (869) or less</td> <td></td> <td>11862615</td> </tr> <tr> <td>IO Height 34 17/64" (870) to 42 1/4" (1073)</td> <td></td> <td>11862616</td> </tr> <tr> <td>IO Height 42 17/64" (1074) to 54 1/4" (1378)</td> <td></td> <td>11862617</td> </tr> <tr> <td>IO Height 54 17/64" (1379) to 61 1/4" (1555)</td> <td></td> <td>11862618</td> </tr> <tr> <td>IO Height 61 17/64" (1556) to 70 1/4" (1784)</td> <td></td> <td>11862619</td> </tr> <tr> <td>IO Height 70 17/64" (1785) or greater</td> <td></td> <td>11862120</td> </tr> </table>	IO Height 34 1/4" (869) or less		11862615	IO Height 34 17/64" (870) to 42 1/4" (1073)		11862616	IO Height 42 17/64" (1074) to 54 1/4" (1378)		11862617	IO Height 54 17/64" (1379) to 61 1/4" (1555)		11862618	IO Height 61 17/64" (1556) to 70 1/4" (1784)		11862619	IO Height 70 17/64" (1785) or greater		11862120
IO Height 34 1/4" (869) or less		11862615																	
IO Height 34 17/64" (870) to 42 1/4" (1073)		11862616																	
IO Height 42 17/64" (1074) to 54 1/4" (1378)		11862617																	
IO Height 54 17/64" (1379) to 61 1/4" (1555)		11862618																	
IO Height 61 17/64" (1556) to 70 1/4" (1784)		11862619																	
IO Height 70 17/64" (1785) or greater		11862120																	
<p><b>F: Stud Bracket</b> Includes fasteners: 2 - #7 x 1 1/4" (32), PH, Flat, Steel w/ZYD</p>	<table border="0"> <tr> <td></td> <td>RH</td> <td>10896264</td> </tr> <tr> <td></td> <td>LH</td> <td>10896263</td> </tr> </table>		RH	10896264		LH	10896263												
	RH	10896264																	
	LH	10896263																	
<p><b>G: Stud Bracket, Coastal</b> Includes fasteners: 2 - #7 x 1 1/4" (32), PH, Flat, Stainless Steel</p>	<table border="0"> <tr> <td></td> <td>RH</td> <td>11896719</td> </tr> <tr> <td></td> <td>LH</td> <td>11896718</td> </tr> </table>		RH	11896719		LH	11896718												
	RH	11896719																	
	LH	11896718																	
<p><b>H: Sash Snubber</b> Includes fasteners: 2 - #7 x 5/8" (16), PH, Flat, UC, Stainless Steel</p>	<p>11873231</p>																		

**AWNING NARROW FRAME**

			
Description			Part Number
<b>A: Scissor Arm Operator</b> Includes fasteners: 4 – #8 x 7/8" (22), PH, Flat AB, Steel w/ZYC			10896278
<b>B: Scissor Arm Operator, Coastal</b> Includes fasteners: 4 – #8 x 7/8" (22), PH, Flat AB, Stainless Steel			11862612
<b>C: Folding Handle/Cover</b>			Almond Frost 10896251 White 10896254 Oil Rubbed Bronze 10896306 Satin Nickel 10896305 Brass 10896304 Matte Black 10896318
<b>D: Lock Drive Handle and Escutcheon</b>			Almond Frost 10895019 White 10895018 Oil Rubbed Bronze 10895020 Satin Nickel 10895021 Brass 10895022 Matte Black 10895023
<b>E: Lock Drive Assembly</b> Includes fasteners: 2 – #7 x 3/4" (19), PH, Pan, AB, Steel w/ZYC			10896265
<b>F: Keeper</b> Usage: 9/24/2007 to Present Recommended fasteners: 2 needed per keeper: #7 x 1 1/4", PH, Flat, AB ZYC (E-Gard) – 11800743, BK – 11800943		RH LH RH LH	E-Gard 10896267 E-Gard 10896266 Black 11862913 Black 11862914
<b>G: Keeper, Coastal</b> Usage: 6/2/2008 to Present Recommended fasteners: 2 needed per keeper: #7 x 1 1/4", PH, Flat, AB, Stainless Steel, 11806110		RH LH	Stainless Steel 11862613 Stainless Steel 11862614
<b>H: Keeper Shim</b> Usage: 11/2019 to Present			White 10500617 Black 10500618
<b>I: Sash Limiter</b>			11860938

**AWNING NARROW FRAME**

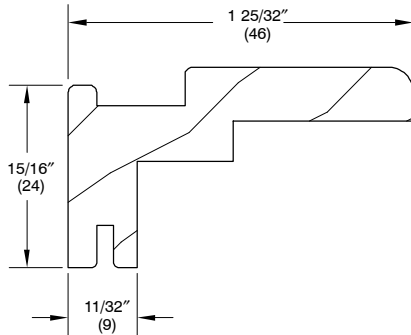


Description	Part Number
<b>A: Tie Bar Assembly</b> Includes fasteners: 2 - #7 x 3/4" (19), PH, Pan, AB, Stainless Steel	RH 10896262 LH 10896261
<b>B: Tie Bar Assembly, Coastal</b> Includes fasteners: 2 - #7 x 3/4" (19), PH, Pan, AB, Stainless Steel	RH 11896735 LH 11896734
<b>C: Hinge Track</b> Includes fasteners: 3 - #7x 1 1/4" (32), PH, Flat, Stainless Steel	RH 11896733 LH 11896732
<b>D: Stationary Bracket</b> Includes fasteners: 2 - #8x 1" (25), PH, Flat, AB, Steel w/ZYC 2 - #8x 1/2" (13), PH, Flat, UC, Steel w/ZYC	11841100
<b>E: Hinge Arm Assembly</b> Includes fasteners: 2 - #7 x 5/8" (16), PH, Flat, AB-17, Steel w/ZYC	RH 10813005 LH 10813004
<b>F: Hinge Arm Assembly, Coastal</b> Includes fasteners: 4 - #7 x 5/8" (16), PH, Flat, AB-17, Stainless Steel	RH 11896731 LH 11896730
<b>G: Detach Hinge, Clip</b>	10814839
<b>H: Stud Bracket</b> Includes fasteners: 2 - #7x 1 1/4" (32), PH, Flat, Steel w/ZYC 2 - #x1 1/4" (32), PH, Flat, Stainless Steel-Coastal option only	10896274

**TO ORDER REPLACEMENT WOOD PARTS**

When ordering replacement wood parts specify:

1. Profile number;
2. Description;
3. Length;
4. Handing (if applicable);
5. Bare wood or white interior.



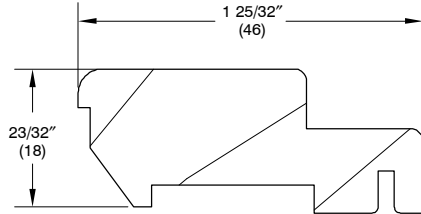
**A: W11981 Hardware Cover/Stop – Stat/Picture**

**B: W11981 Hardware Cover – Operator (ELAWNNF)**

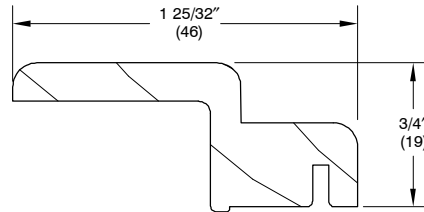
**C: W11981 Hardware Cover – Operator (ELCANF)**

Description		Bare Wood	White	Designer Black	Clear	
<b>A</b>	16 15/32" (418)	34841620	39891620	39991620	34941620	
	20 15/32" (520)	34841624	39891624	39991624	34941624	
	24 15/32" (622)	34841628	39891628	39991628	34941628	
	28 15/32" (723)	34841632	39891632	39991632	34941632	
	32 15/32" (825)	34841636	39891636	39991636	34941636	
	44 15/32" (1130)	34841648	39891648	39991648	34941648	
	52 15/32" (1333)	34841656	39891656	39991656	34941656	
68 15/32" (1739)	34841672	39891672	39991672	34941672		
	ELCANFP ELCANFTR ELAWNNF					
<b>B</b>	20 15/32" (520)	34841424	39891424	39991424	33831424	
	24 15/32" (622)	34841428	39891428	39991428	33831428	
	28 15/32" (723)	34841432	39891432	39991432	33831432	
	32 15/32" (825)	34841436	39891436	39991436	33831436	
	44 15/32" (1130)	34841448	39891448	39991448	33831448	
	ELAWNNF					
<b>C</b>	16 15/32" (418)	RH	34841520	39891520	39991520	34941520
		LH	34841521	39891521	39991521	34941521
	20 15/32" (520)	RH	34841524	39891524	39991524	34941524
		LH	34841525	39891525	39991525	34941525
	24 15/32" (622)	RH	34841528	39891528	39991528	34941528
		LH	34841529	39891529	39991529	34941529
	28 15/32" (723)	RH	34841532	39891532	39991532	34941532
		LH	34841533	39891533	39991533	34941533
	32 15/32" (825)	RH	34841536	39891536	39991536	34941536
		LH	34841537	39891537	39991537	34941537
		ELCANF				

**A: W12107 Head Jamb Stop**  
**B: W12107 Jamb Stop – Stationary**




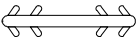
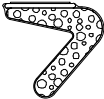
**C: W12106 Jamb Stop – Lock Side Operator**



Description		Bare Wood	White	Designer Black	Clear
<b>A</b>	16 15/32" (418)	34841720	39891720	39991720	34941720
	20 15/32" (520)	34841724	39891724	39991724	34941724
	24 15/32" (622)	ELCANF 34841728	39891728	39991728	34941728
	28 15/32" (723)	ELAWNNF 34841732	39891732	39991732	34941732
	32 15/32" (825)	ELCANFP 34841736	39891736	39991736	34941736
	44 15/32" (1130)	ELCANFTR 34841748	39891748	39991748	34941748
	52 15/32" (1333)	34841756	39891756	39991756	34941756
68 15/32" (1739)	34841772	39891772	39991772	34941772	
<b>B</b>	35 11/32" (878)	34841738	39891738	39991738	34941738
	41 11/32" (1050)	34841744	39891744	39991744	34941744
	47 11/32" (1203)	ELCANF 34841750	39891750	39991750	34941750
	51 11/32" (1304)	ELAWNNF 34841754	39891754	39991754	34941754
	55 11/32" (1406)	ELCANFP 34841758	39891758	39991758	34941758
	59 11/32" (1507)	ELCANFTR 34841762	39891762	39991762	34941762
	68 15/32" (1739)	34841771	39891771	39991771	34941771
<b>C</b>	35 11/32" (878)	RH 34841338	39891338	39991338	34941338
		LH 34841339	39891339	39991339	34941339
	41 11/32" (1050)	RH 34841344	39891344	39991344	34941344
		LH 34841345	39891345	39991345	34941345
	47 11/32" (1203)	RH 34841350	39891350	39991350	34941350
		LH 34841351	39891351	39991351	34941351
	51 11/32" (1304)	ELCANF RH 34841354	39891354	39991354	34941354
		LH 34841355	39891355	39991355	34941355
	55 11/32" (1406)	RH 34841358	39891358	39991358	34941358
		LH 34841359	39891359	39991359	34941359
	59 11/32" (1507)	RH 34841362	39891362	39991362	34941362
		LH 34841363	39891363	39991363	34941363
	68 15/32" (1739)	RH 34841371	39891371	39991371	34941371
		LH 34841372	39891372	39991372	34941372
<b>C</b>	35 11/32" (878)	RH 34842037	39892037	39992037	34942037
		LH 34842038	39892038	39992038	34942038
	44 15/32" (1130)	ELAWNNF RH 34842047	39892047	39992047	34942047
		LH 34842048	39892048	39992048	34942048

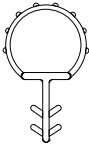
**TO ORDER WEATHER STRIP:**

When ordering replacement weather strip specify description, profile number, length and quantity.

Description		Part Number
 <b>A</b> V189 Frame Weather Strip	 <b>B</b> V803 Connecting Barb	 <b>C</b> V1203 Sill Installation Filler
<b>A: V189 Weather Strip – Head Jamb/Sill</b>	13 31/32" (355) 17 31/32" (456) 21 31/32" (558) 25 31/32" (660) 29 31/32" (761) 33 31/32" (863) 37 31/32" (964) 45 61/64" (1167) 53 61/64" (1370) 69 61/64" (1777)	ELCANF ELAWNNF Black 17003000 17003002 17003004 17003006 17003008 17003010 17003011 17003012 17003014 17003015
<b>A: V189 Weather Strip – Jamb</b>	13 21/32" (348) 17 3/32" (434) 21 3/32" (536) 25 3/32" (637) 29 3/32" (739) 33 3/32" (841) 37 3/32" (942) 41 7/32" (1047) 45 5/64" (1145) 53 5/64" (1348) 57 5/64" (1450) 61 5/64" (1551) 69 5/64" (1755)	ELCANF ELAWNNF Black 17003016 17003018 17003020 17003021 17003022 17003024 17003026 17003028 17003030 17003032 17003034 17003036 17003038
<b>B: V803 Connecting Barb Fastener</b>	12" (305)	ELCANF ELAWNNF 15812999
<b>C: V1203 Sill Installation Filler</b>	108" (2743)	ELCANF ELAWNNF ELCANFP ELCANFTR White 105074

**TO ORDER WEATHER STRIP:**

When ordering replacement weather strip specify description, profile number, length and quantity.

 <p><b>D</b></p> <p>V147 Sash Weather Strip</p>			
Description		Part Number	
<b>D: V147 Weather Strip – Rail</b>		9 1/2" (241)	
		15 1/2" (393)	
		21 1/2" (546)	
		27 1/2" (698)	
		33 1/2" (851)	
	ELCANF	Black	39 1/2" (1003)
	ELAWNNF		45 1/2" (1155)
			51 1/2" (1308)
			57 1/2" (1460)
			63 1/2" (1613)
		69 1/2" (1765)	
<b>D: Weather Strip – Stile – V147</b>		14 1/32" (356)	
		17 13/32" (442)	
		21 13/32" (544)	
		25 13/32" (645)	
		29 13/32" (747)	
		33 13/32" (848)	
	ELCANF	Black	37 13/32" (950)
	ELAWNNF		41 17/32" (1055)
			45 13/32" (1153)
			53 13/32" (1356)
			57 13/32" (1458)
			61 13/32" (1560)
			69 13/32" (1763)



**WHEN ORDERING REPLACEMENT CASEMENT NARROW FRAME SASH SPECIFY:**

1. Size (use original order information)
2. Operating, stationary, transom or picture left or right operator
3. Stone White, Pebble Gray, Bronze, Evergreen, Cashmere, Ebony exterior
4. Glazing
5. Bare wood, White, Designer Black or Clear interior
6. If unit has a window opening control device, state this on the order.

**Sash Sizes for Casement Narrow Frame  
manufactured 2014 to Present**

**Daylight Opening to Sash OM**

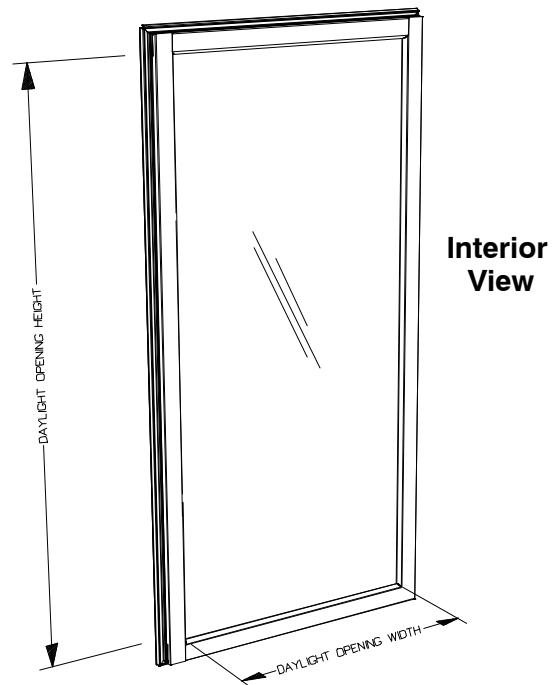
Daylight Width + 3 17/32" = OM Width of Sash

Daylight Height + 3 17/32" = OM Height of Sash

NOTE: Insert Casement sash is not reglazable.

Replacement sash are marked for hardware application (hardware not included).

Replacement sash for units with the window opening control device will have the tether applied.



NOTE: The daylight opening is the measurement of visible glass.

**WHEN ORDERING AWNING NARROW FRAME REPLACEMENT SASH SPECIFY:**

1. Size (use original order information)
2. Operating or stationary
3. Stone White, Pebble Gray, Bronze, Evergreen, Cashmere, Ebony exterior
4. Glazing
5. Bare wood, White, Designer Black or Clear interior.

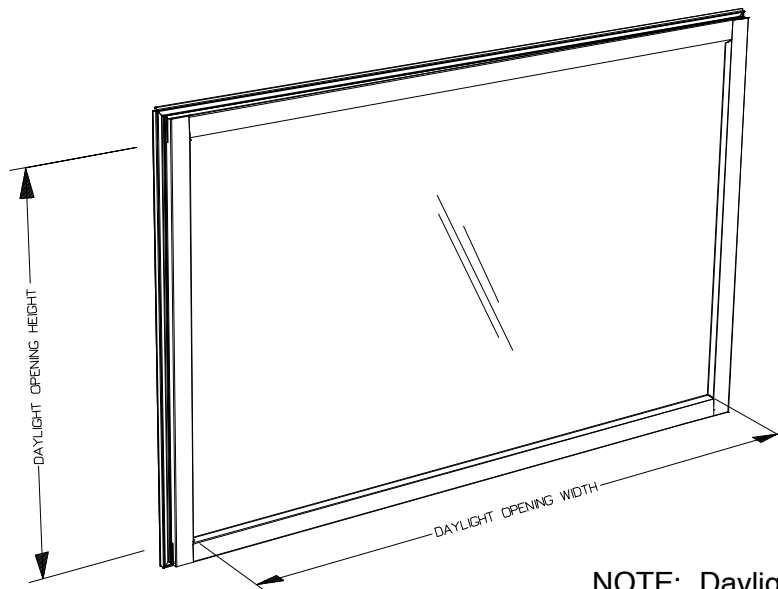
**Sash Sizes for Awning Narrow Frame****manufactured 2014 to Present****Daylight Opening to Sash OM**

Daylight Width + 3 17/32" = OM Width of Sash

Daylight Height + 3 17/32" = OM Height of Sash

NOTE: Awning Narrow Frame sash is not reglazable.

Replacement sash are marked for hardware application (hardware not included).

**Interior View**

NOTE: Daylight opening is a measurement of visible glass.

**ORDERING REPLACEMENT SCREENS FOR CASEMENT AND AWNING NARROW FRAME UNITS**

Standard screens offer almond frost aluminum surround and charcoal colored fiberglass 18 x 16 screen mesh. Determine the outside measurement (OM) of the existing screen. Find the sizes that correspond to the width and height indicated on the following chart.

When ordering replacement screen specify:

1. Size; – measure the existing screen OM, if screen not available use specifications below from the Daylight Opening to OM Screen specifications.
2. Aluminum or aluminum with bare wood veneer interior
3. Color: White, Almond Frost or Almond Frost with bare wood veneer interior.

**Daylight Opening to OM of Screen**

Daylight opening is the measurement of the visible glass.

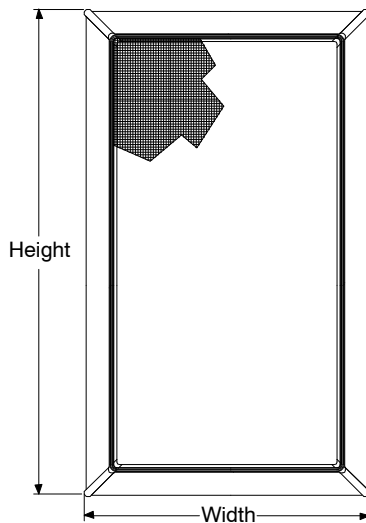
Daylight Width + 1 5/8" = OM Width of Screen – Aluminum

Daylight Height + 1 15/64" = OM Height of Screen – Aluminum

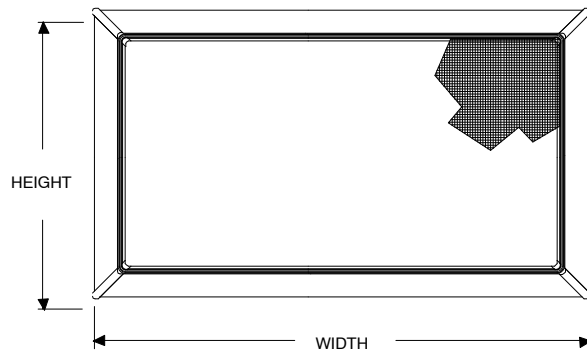
Daylight Width + 1 9/16" = OM Width of Screen – Wood Veneer

Daylight Height + 1 3/16" = OM Height of Screen – Wood Veneer

**Screen Sizes for Casement Narrow Frame**

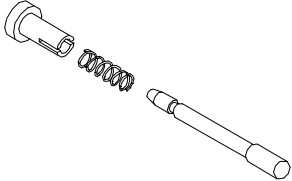



**Screen Sizes for Awning Narrow Frame**



NOTE: OM of aluminum screen includes corner keys. Wood screen has no visible corner key.

NOTE: Screens feature plunger type mounting system.

ILLUSTRATION NOT TO SCALE	DESCRIPTION	OPER./ COLOR	PART NO.
	<p><b>Plunger and Spring Assembly</b>                      M060  <i>Includes:</i>                      1 – Plunger bolt                      1 – Plunger bolt cap                      1 – Plunger bolt spring</p>	<p>Clear Cap                      Off White Bolt</p>	<p>11900896</p>
	<p><b>Screen Grommet</b></p>	<p>Beige                      Black                      White</p>	<p>05070412                      05070413                      05070414</p>