

ELEVATE DOUBLE HUNG DISC LA PRE 2006

Table of Contents

	PAGE
Elevate Double Hung	
History	2
Part Identification – Operator	3
Part Identification – Stationary/Operator	4
Parts	
Hardware and Miscellaneous Parts	5
Weather Strip and Vinyl Parts	6
Balance Tubes	8
Sash Replacement	9
Screens and Screen Parts	10
Parts – No Availability	
No Availability – Weather Strip and Vinyl Parts	11
No Availability – Wood Parts	12

NOTE: For double hung direct glazed transom information see Chapter 6 Round Top/Polygon.

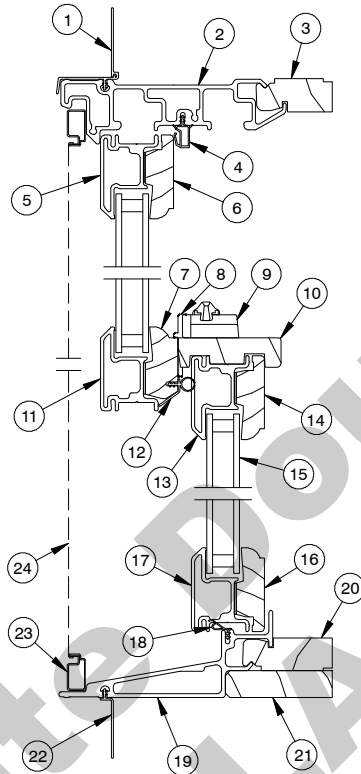
ATTENTION:

- Specification and technical data are subject to change without notice.
- Numbers listed in parentheses () are metric equivalents in millimeters rounded to the nearest whole number.

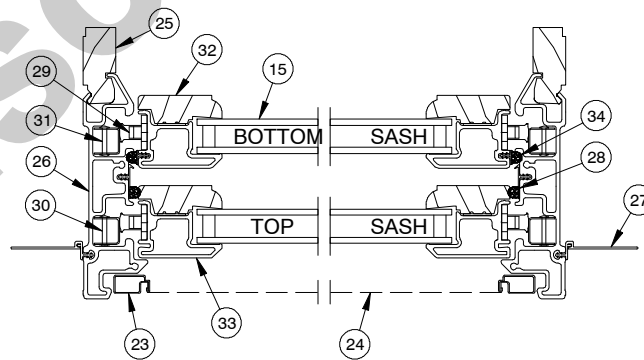
PRODUCED	UNIT TYPE	FEATURES OR CHANGES	DISCONTINUED
1995	Double Hung	<p>April 1995: Elevate Double Hung introduced. Unit features 3/4" Low E II glass with Argon, 4 9/16" jambs.</p> <p>April 1995: Pultruded fiberglass (Ultrex) exterior available in white or pebble gray, almond frost sash lock and tilt latches, white or pebble gray exterior screen surround.</p> <p>October: Changed check rail pile weather strip (white) from location at check rail to a continuous length (gray) from check rail to sill.</p>	<p>January 2006</p> <p>Arctic White – Feb. 2002</p> <p>February 1996</p>
1996	Double Hung	<p>January 1996: Tempered glass added as an option to certain size double hungs and picture units.</p> <p>February 1996: Vinyl trim added to the stiles of the bottom sash.</p> <p>February 1996: Clutch system upgraded to ensure positive locking during sash removal.</p> <p>October 1996: Introduced 5 5/16" and 6 13/16" jamb extension available shipped loose for field application.</p> <p>November 1996: Replaced jamb weather strip profile V167 with V169 and replaced bottom sash weather strip profile V161 with foam weather strip profile V189.</p> <p>November 1996: Replaced header hollow bulb weather strip with a parting stop.</p>	<p>Present</p> <p>November 1996</p> <p>Present</p> <p>December 2000</p> <p>October 2002</p> <p>Present</p>
1997	Double Hung	<p>March 1997: Added cottage style double hung and new 5648 picture size.</p> <p>September 1997: Introduced grilles-between-the-glass (GBG) simulated divided lite option.</p>	<p>Present</p> <p>Present</p>
1998	Double Hung	<p>May 1998: Sill/jamb plug redesigned.</p> <p>July 1998: Changed to a reinforced design tilt latch cover.</p> <p>November 1998: Introduced white hardware and screen option.</p>	<p>Present</p> <p>Present</p> <p>Present</p>
2000	Double Hung	<p>April 2000: Added 4 wide mulling option in CN 22 and CN26 widths available factory mulled. Added 2 wide – 2 high mulling option available factory mulled.</p> <p>December 2000: 6 13/16" jamb extension available factory applied. 5 5/16" jamb extension no longer available.</p>	<p>Present</p> <p>Present</p>
2001	Double Hung	<p>March 2001: Added white interior finish.</p>	<p>Present</p>
2002	Double Hung	<p>February 4, 2002: Stone White replacing Arctic White as a standard color. Arctic White replacement parts available through the warranty period.</p> <p>May 2002: New sizes available. Refer to Product bulletin #46.</p>	<p>Present</p> <p>Present</p>
2002	Double Hung	<p>October 2002: Revised bottom sash weather strip profile V189.</p> <p>October 2002: Revised jamb weather strip profile V169.</p>	<p>October 2002</p> <p>Present</p>
2003	Double Hung	<p>September 9, 2003: Replaced sill weather strip profile V191 with V1165.</p> <p>September 9, 2003: Replaced bottom sash weather strip V189 with V1232. V1194 bottom Jamb weather strip added in conjunction with current V169 weather strip at top.</p> <p>September 9, 2003: Replaced bottom sash weather strip V189 with V1232. V1194 bottom Jamb weather strip added in conjunction with current V169 weather strip at top. Effective 9/29/03.</p>	<p>Present</p> <p>Present</p> <p>Present</p>
May 2004	Double Hung	<p>March 1, 2004: Pebble exterior / white interior GBGs available.</p>	<p>Present</p>
October 2005	Double Hung	<p>October 10, 2005: Sash weather strip V1232 was removed and replaced with frame weather strip as a running change.</p>	<p>October 2005</p>
January 2006	Double Hung	<p>January 2006: Elevate Double Hung discontinued sales and product was moved to discontinued status (Elevate Double Hung DISC LA Pre 2006).</p>	<p>January 2006</p>
August 2018	Double Hung	<p>August 27, 2018: Replacement parts have been reduced. ARCTIC WHITE NO LONGER AVAILABLE.</p>	<p>Present</p>

**DOUBLE HUNG
OPERATOR**

**Head Jamb
and Sill**



1. Head Jamb Nailing Fin/Drip Cap
2. Head Jamb (Ultrex)
3. Head Jamb Liner
4. Head Jamb Part Stop Weather Strip
5. Top Rail (Ultrex)
6. Top Rail
7. Top Check Rail
8. Sash Keeper
9. Sash Lock
10. Bottom Check Rail Cover
11. Top Check Rail (Ultrex)
12. Top Check Rail Weather Strip
13. Bottom Check Rail (Ultrex)
14. Bottom Check Rail
15. Insulating Glass
16. Bottom Rail
17. Bottom Rail (Ultrex)
18. Sill Weather Strip
19. Sill (Ultrex)
20. Sill Liner
21. Standing Block
22. Sill Nailing Fin
23. Screen Frame
24. Screen Mesh

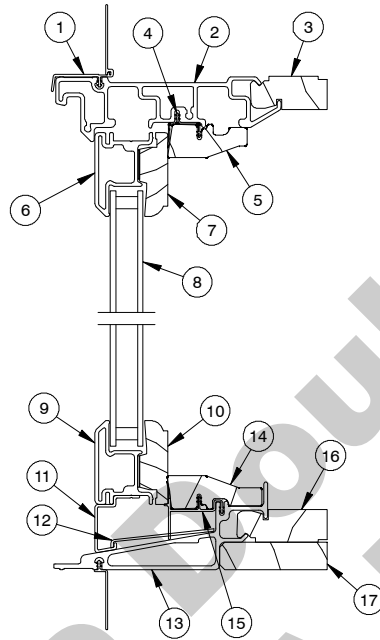


Jamb

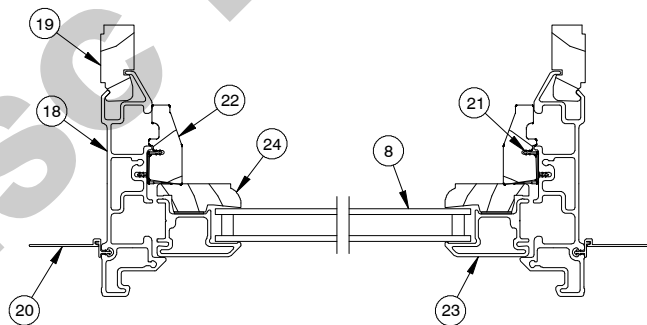
NOTE: Not to scale; specifications subject to change without notice.

**DOUBLE HUNG
STATIONARY/PICTURE**

**Head Jamb
and Sill**



1. Head Jamb Nailing Fin/Drip Cap
2. Head Jamb (Ultrax)
3. Head Jamb Liner
4. Head Jamb Interior Stop Weather Strip
5. Head Jamb Interior Stop
6. Top Rail (Ultrax)
7. Top Rail
8. Insulating Glass
9. Bottom Rail (Ultrax)
10. Bottom Rail
11. Sill Filler
12. Stationary Bracket
13. Sill Wood Stop
14. Sill, Interior Stop
15. Sill Interior Stop Weather Strip
16. Sill Liner
17. Standing Block

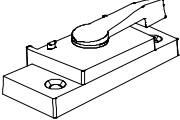
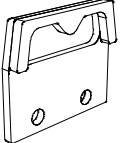
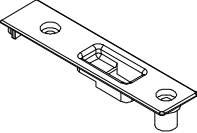
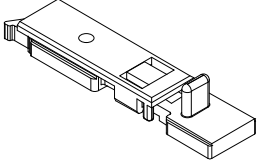
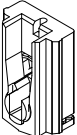

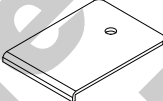
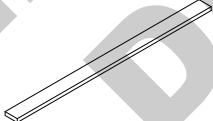


Jamb

NOTE: Not to scale; specifications subject to change without notice.

When ordering replacement hardware specify:

1. Type of unit;
2. Part number;
3. Description.

ILLUSTRATION <i>NOT TO SCALE</i>	DESCRIPTION	LENGTH/COLOR	PART NO.
	Sash Lock <i>Suggested fasteners:</i> 2 - #6 x 1 1/4" Phillips flathead wood screws. AF (11806001), WH (11806002)	Almond Frost White	10817035 10817027
	Sash Keeper <i>Suggested fasteners:</i> 2 - #8 x 1" Phillips pan head screws. AF (11800814), WH (11800820)	Almond Frost White	10817036 10817029
	Tilt Latch Cover <i>Suggested fasteners:</i> 2 - #8 x 1" Phillips pan head screws AF (11800814), WH (11800820)	Almond Frost White	11869713 11869717
 <i>Note: Right hand shown</i>	Tilt Latch <i>Suggested fasteners:</i> 2 - #8x3/4" Phillips truss head screws AF (11800833), WH (11800828)	LH Almond Frost RH Almond Frost LH White RH White	11869712 11869710 11869716 11869715
	Clutch <i>NOTE: Non-handed</i>		10661009
	Sash Pivot Pin <i>Suggested fasteners:</i> 1 - #7 x 5/8" Phillips self tapping flat head screw (11800758) <i>NOTE: Pivot pins are non-handed</i>		10660999
	Stationary Bracket		11040359
	Frame to Sash Seal, Picture and Transom	150' (46 meters) Black	10501118

When ordering replacement weather strip specify:

1. Description;
2. Profile number;
3. Part number;
4. Quantity.

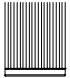
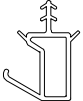
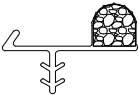
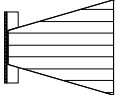
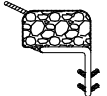
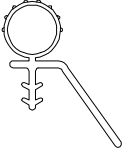
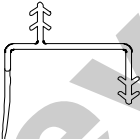
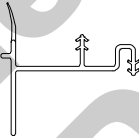
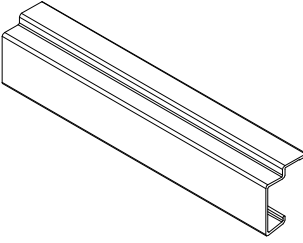
ILLUSTRATION <i>NOT TO SCALE</i>	DESCRIPTION	LENGTH/COLOR	PART NO.
	Sash Pivot Pin Pad 5/16" x 11/16" <i>NOTE: Adhesive backed</i>	Gray	15607568
	Head Jamb Parting Stop V248	Lineal 84" (2134)	17003184
	Top Jamb Weather Strip V169	Lineal 79" (2007)	17002982
	Frame Weather Strip, Pile V1494	Beige	17009012 Specify length by LF
	Sill Weather Strip V1165	CN42 Lineal 40 3/8" (1026) 150" (3810)	17003642 17003699
	Check Rail Weather Strip V150	Lineal 150" (3810)	17001899
	Head Jamb Weather Strip V140 For double hung picture and transom units	Lineal 144" (491)	17002399
	Sill Interior Stop Weather Strip V141 BG For double hung picture and transom units	Lineal 144" (3658)	17002499

ILLUSTRATION <i>NOT TO SCALE</i>	DESCRIPTION	LENGTH	PART NO.	
	Sill Filler* A441	Stone White		
		CN22	19 3/16" (487)	19611422
		CN26	23 3/16" (589)	19611426
		CN30	27 3/16" (691)	19611430
		CN34	31 3/16" (792)	19611434
		CN36	33 3/16" (843)	19611436
		CN38	35 3/16" (894)	19611438
		CN42	39 3/16" (995)	19611442
		CN50	47 3/16" (1199)	19611450
		CN54	51 3/16" (1300)	19611454
		CN62	59 3/16" (1503)	19611462
			Pebble	
		CN22	19 3/16" (487)	18611522
		CN26	23 3/16" (589)	18611526
		CN30	27 3/16" (691)	18611530
		CN34	31 3/16" (792)	18611534
		CN36	33 3/16" (843)	18611536
		CN38	35 3/16" (894)	18611538
		CN42	39 3/16" (995)	18611542
		CN50	47 3/16" (1199)	18611550
		CN54	51 3/16" (1300)	18611554
		CN62	59 3/16" (1503)	18611562

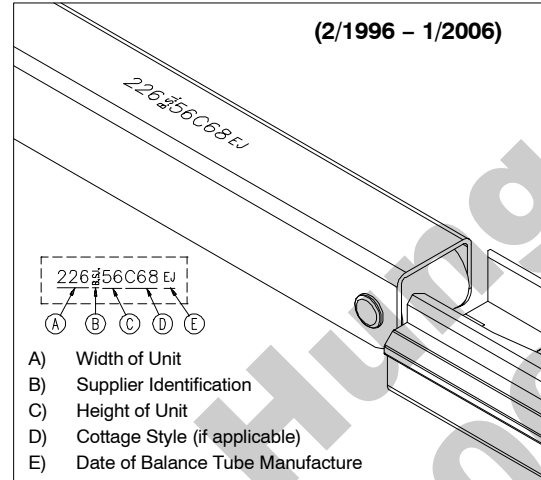
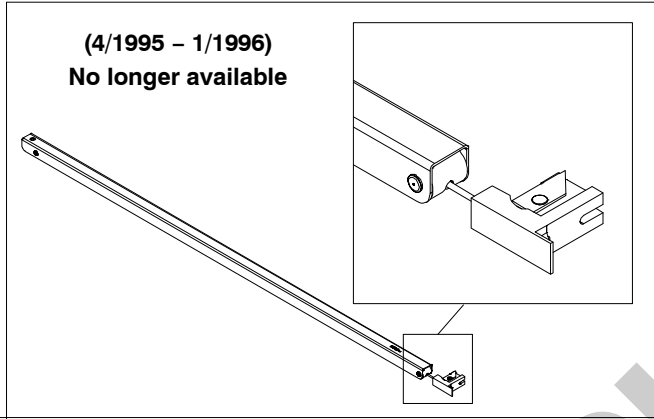
Elevate Double Hung
DISC LA PR

BALANCE TUBES

When ordering replacement parts specify:

1. Part number;
2. Quantity;
3. Top or bottom sash.

NOTE: Part numbers listed are for one balance tube.



- 226#56C68 EJ
- (A) (B) (C) (D) (E)
- A) Width of Unit
 - B) Supplier Identification
 - C) Height of Unit
 - D) Cottage Style (if applicable)
 - E) Date of Balance Tube Manufacture

Top Sash (Mill Finish)								
Call Number Height	22-26CN Width		30-34CN Width		36-38CN Width		42CN Width	
	No. Stamped on Tube	Part Number	No. Stamped on Tube	Part Number	No. Stamped on Tube	Part Number	No. Stamped on Tube	Part Number
36	226-36	10661036	304-36	10662036	368-36	10663036	42-36	10664036
40	226-40	10661040	304-40	10662040	368-40	10663040	42-40	10664040
48	226-48	10661048	304-48	10662048	368-48	10663048	42-48	10664048
52	226-52	10661052	304-52	10662052	368-52	10663052	42-52	10664052
56C68	226-56C68	10661056	304-56	10662056	368-56	10663056	42-56C68	10664056
60	226-60	10661060	304-60	10662060	368-60	10663060	42-60	10664060
64	226-64	10661064	304-64	10662064	368-64	10663064	42-64	10664064
72	226-72	10661072	304-72	10662072	368-72	10663072	42-72	10664072
Bottom Sash (Beige Finish)								
Call Number Height	22-26CN Width		30-34CN Width		36-38CN Width		42CN Width	
	No. Stamped on Tube	Part Number	No. Stamped on Tube	Part Number	No. Stamped on Tube	Part Number	No. Stamped on Tube	Part Number
36	226-36	10661136	304-36	10662136	368-36	10663136	42-36	10664136
40	226-40	10661140	304-40	10662140	368-40	10663140	42-40	10664140
48	226-48	10661148	304-48	10662148	368-48	10663148	42-48	10664148
52	226-52	10661152	304-52	10662152	368-52	10663152	42-52	10664152
56	226-56	10661156	304-56	10662156	368-56	10663156	42-56	10664156
60	226-60	10661160	304-60	10662160	368-60	10663160	42-60	10664160
64	226-64	10661164	304-64	10662164	368-64	10663164	42-64	10664164
72C68	226-72C68	10661172	304-72	10662172	368-72	10663172	42-72	10664172

ORDERING DOUBLE HUNG REPLACEMENT SASH


When ordering replacement sash specify:

1. Specify top, bottom or pair of sash;
2. Size (using chart below):
3. Sash exterior color
4. Hardware color – White or Almond Frost;
5. Glazing;
6. Bare wood or white interior.

Sash Sizes for Double Hung manufactured 1995 to January 2006 Daylight Opening to OM of Sash			
Daylight Width + 3 1/2" = OM Width of Sash			
Daylight Height + 3 1/2" = OM Height of Sash			
NOTE: Sash is not reglazable			
Operator Sash			
Width		Height	
Size	OM Width	Size	OM Height
CN22	19 3/16" (487)	CN 36	17 3/16" (437)
CN26	23 3/16" (589)	CN 40	19 3/16" (487)
CN30	27 3/16" (691)	CN 48	23 3/16" (589)
CN34	31 3/16" (792)	CN 52	25 3/16" (640)
CN36	33 3/16" (843)	CN 56	27 3/16" (691)
CN38	35 3/16" (894)	CN 60	29 3/16" (741)
CN42	39 3/16" (995)	CN 64	31 3/16" (792)
		CN 68 (top)	27 3/16" (691)
		CN 68 (btm)	39 3/16" (995)
		CN 72	35 3/16" (894)
Picture/Transom Sash			
Width		Height	
Size	OM Width	Size	OM Height
CN22*	19 3/16" (487)	CN16*	13 3/16" (335)
CN26*	23 3/16" (589)	CN48	45 3/16" (1148)
CN30*	27 3/16" (691)	CN52	49 3/16" (1249)
CN34*	31 3/16" (792)	CN56	53 3/16" (1351)
CN36*	33 3/16" (843)	CN60	57 3/16" (1453)
CN38	35 3/16" (894)	CN64	61 3/16" (1554)
CN42	39 3/16" (988)	CN68	65 3/16" (1656)
CN50	47 3/16" (1199)		
CN54	51 3/16" (1300)		
CN62	59 3/16" (1503)		

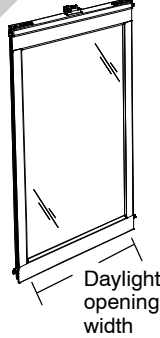
NOTE: Double Hung replacement sash is supplied with weather strip and hardware. CN 68 height pertains to cottage style sash. Daylight opening is the measurement of visible glass. Double Hung picture replacement sash includes attached sill filler.

Top Sash Interior View



Daylight opening height

Bottom Sash Interior View



Daylight opening width

*Transom sizes only

ORDERING REPLACEMENT SCREENS FOR ELEVATE DOUBLE HUNG

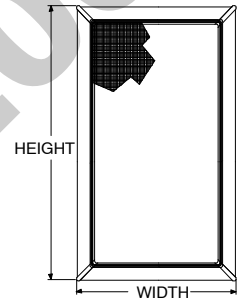
Screens are standard with a white or pebble gray aluminum surround and charcoal colored fiberglass 18x16 screen mesh. Determine the outside measurement of the existing screen. Find the sizes that correspond to the width and height indicated on the following chart.

When ordering replacement screen specify:

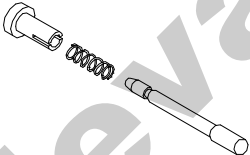
1. ETO – Current ELDH Screen with Pre 2006 ELDH dimensions.
2. Size; – if there is no existing screen from which to obtain the OM of the screen, determine the size of the screen by using the conversion chart below. The daylight opening is the measurement of the visible glass.
3. Color
4. Specify cottage or equal sash when ordering CN68 height.

Screen Sizes for Double Hung manufactured 1995 to January 2006			
Daylight Opening to OM of Screen			
Daylight Width + 4 9/16" = OM Width of Screen		Daylight Height x 2 + 7 19/32" = OM Height of Screen	
NOTE: Screen feature plunger type mounting system.			
Width		Height	
Size	OM Width	Size	OM Height
CN 22	20 1/4" (514)	CN 36	34 31/32" (888)
CN 26	24 1/4" (616)	CN 40	38 31/32" (990)
CN 30	28 1/4" (718)	CN 48	46 31/32" (1193)
CN 34	32 1/4" (819)	CN 52	50 31/32" (1295)
CN 36	34 1/4" (870)	CN 56	54 31/32" (1396)
CN 38	36 1/4" (921)	CN 60	58 31/32" (1498)
CN 42	40 1/4" (1022)	CN 64	62 31/32" (1599)
		CN 68	66 31/32" (1701)
		CN 72	70 31/32" (1803)

NOTE: Measure top and bottom sash separately when calculating screen OM height. CN36 and CN40 screens do not feature cross bars.



NOTE: OM of screen includes corner keys.

ILLUSTRATION NOT TO SCALE	DESCRIPTION	OPER./COLOR	PART NO.
	<p>Plunger and Spring Assembly-M060</p> <p>Includes:</p> <ul style="list-style-type: none"> 1 – Plunger bolt 1 – Plunger bolt cap 1 – Plunger bolt spring 	<p>Clear Cap Off White Bolt</p>	11900896

When ordering replacement Elevate Double Hung weather strip specify:

1. Description;
2. Profile number;
3. Part number;
4. Quantity.

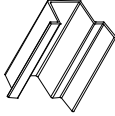

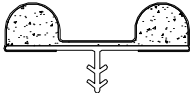
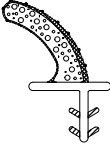
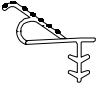

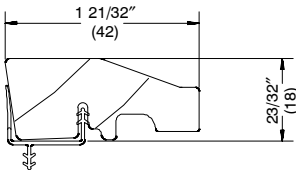
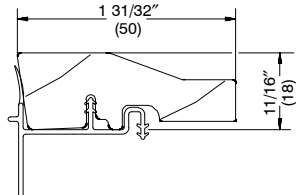
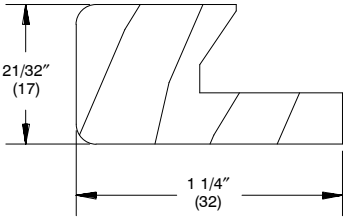
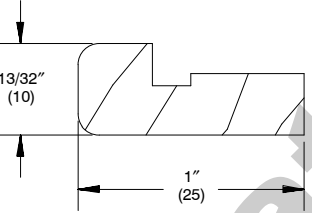
ILLUSTRATION NOT TO SCALE	DESCRIPTION	LENGTH/COLOR	PART NO.
	Sash Stops V820	No longer available	
	Double Hung Head Jamb Weather Strip V192 Usage: 4/95–11/96	No longer available Replaced with V248	
	Double Hung Head Jamb Weather Strip V167 Usage: 4/95–10/02 <i>NOTE: Field service items (for replacement only) on units produced before November 18, 1996. Replaces V144 and V161</i>	No longer available Replaced with V169	
	Bottom Jamb Weather Strip V1194	No longer available	
	Sill Weather Strip V191 Usage: 4/95–9/03	No longer available Replaced with V1165	
	Bottom Sash Foam Weather Strip V1232	No longer available. Replace with V114, Bulb Weather Strip (Signature series part).	

ILLUSTRATION <i>NOT TO SCALE</i>	DESCRIPTION	LENGTH	BARE WOOD PART NO.	WHITE INTERIOR PART NO.
	<p>Interior Stop- Head Jamb W7430 W7430 – Head Jamb and Jamb Stop, Picture and Transom Units V140 – Head Jamb Weather Strip included</p>		No longer available	
	<p>Interior Stop-Sill W7429 W7429 – Sill Stop Picture and Transom Unit V141 – Sill Weather Strip included</p>		No longer available	
	<p>HP Field Applied Sill Liner Kit – Picture/Transom <i>Includes:</i> 1-W8586 HP Sill Liner (Adhesive tape applied) 4-#8 x 1 1/2" Phillips panhead screws-11865161 1-Installation Instruction-19970048</p>		No longer available	
	<p>HP Field Applied Sill Liner Kit – Operator <i>Includes:</i> 1-W8088 HP Sill Liner (Adhesive tape applied) 4-#8 x 1 1/2" Phillips panhead screws-11865161 1-Installation Instruction-19970048</p>		No longer available	