

ELEVATE CASEMENT ELEVATE AWNING

Table of Contents

	PAGE
History	2
Part Identification – Casement Operator	4
Part Identification – Awning Operator	5
Part Identification – Casement/Awning Stationary/Picture	6
Parts	
Hardware	7
Wood Parts	14
Weather Strip and Vinyl	18
Casement Sash Replacement	20
Awning Sash Replacement	21
Screens	22
Screen Parts	23
Discontinued Parts	
Discontinued Hardware – Limited Availability (LA)	24
Discontinued Wood Parts – Limited Availability (LA)	26

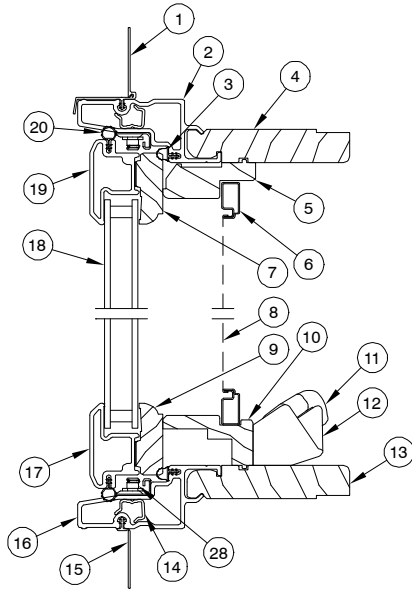
ATTENTION:

- Specification and technical data are subject to change without notice.
- Numbers listed in parentheses () are metric equivalents in millimeters rounded to the nearest whole number.

PRODUCED	UNIT TYPE	FEATURES OR CHANGES	STATUS
January 1994	Casement/Awning	Unit features 3/4" insulating Low E II glass with Argon, 4 9/16" jambs	Present
	Casement	Lower cam lock placement moved. Measurement is now 11" from top of sill. Location consistent on CN 55, 59, 63 and 71 heights.	Present
	Casement/Awning	Pultruded fiberglass (Ultrex) exterior available in white or pebble gray, almond frost split arm roto-gear operator, cam locks and screen surround.	Arctic White – Feb 2002
July 1994	Casement	CN 2943 model introduced designed to meet egress codes in split level floor plans. An egress hinge limiter is used to stop the sash, providing maximum unit egress opening.	Present
January 1996	Casement/Awning	Tempered glass is now an available option on selected sizes.	Present
January 1996	Casement	Second cam lock added to CN 47 heights.	Present
October 1996	Casement/Awning	Introduced 5 5/16" and 6 13/16" jamb extension available shipped loose for field application.	Present
June 1997	Casement/Awning	E-Gard coated hardware is now standard.	Present
September 1997	Casement/Awning	Introduced white grilles-between-the-glass (GBG) simulated divided lite option.	Present
August 1998	Casement	Second sash lock added to CN 43 heights.	Present
December 1998	Casement/Awning	Introduced white hardware and screen option.	Present
June 1999	Casement	Tempered glass offered on CN 2943 (as an option).	Present
April 2000	Casement	Added 4W mulling options in CN17, CN21, CN25, and CN29 widths available factory muller. Added 2Wide-2High mulling option available factory muller.	Present
April 2000	Awning	Added 4W mulling option in CN 25 & CN29 widths available factory muller	Present
April 2000	Casement Bow	Added 5 wide mulling option in CN17, CN21, CN 25 widths available factory muller.	Present
December 2000	Casement/Awning	6 13/16" jamb extension available factory applied. 5 5/16" jamb extension no longer available.	Present
March 2001	Casement/Awning	Added white interior finish.	Present
February 2002	Casement/Awning	Stone White replacing Arctic White as a standard color effective Feb. 4. Arctic White replacement parts available through the warranty period.	Present
May 2002	Casement/Awning	Additional sizes added to line. Certain size casements, awning, transoms, and pictures to be upgraded to DP40 rating. Added eight new sizes in CN 33 and 37 widths equivalent to DP30 rating. New snubber design. Added a new hinge limiter for CN 33 and 37 widths. Frame weather strip redesigned to use a foam filled bulb. Refer to product bulletin no 45.	Present
March 2004	Casement	Pebble exterior / white interior GBGs available effective 3/1/04.	Present
September 2005	Casement/Awning	Folding handle added as standard offering.	Present
July 2006	Casement/Awning	SDL offered on all Elevate Series windows and doors. 7/8" wide bars with Ultrex exterior and wood interior. See Product Bulletin 66 for more details.	Present
September 2006	Casement/Awning	Prairie SDL and GBG Lite cuts made available for the Elevate Series windows and doors. See Product Bulletin 70 for more details.	Present
March 2007	Casement/Awning	Bronze exteriors introduced.	Present
September 2007	Casement/Awning	Upgraded casement and awning product line hardware to multipoint, sequential locks, dual arm operators and a new folding handles and covers. Introduction also included 5 new CN43 sizes, obscure glass on the ELCA2947, and DP50 certification across all products and sizes.	Present
November 2007	Casement/Awning	Evergreen exteriors introduced.	Present
March 2008	Casement/Awning	Cashmere exteriors introduced March 17, 2008.	Present
June 2008	Casement/Awning	Impact products introduced June, 2008.	Present
July 2008	Casement/Awning	Cottage SDL lite cut made available for Elevate. Refer to product bulletin #99.	Present
October 2008	Casement/Awning	Introduced Brass, Satin Nickel and Oil Rubbed Bronze hardware finishes for windows.	Present
May 2009	Casement/Awning	LoE ³ 366™ glass option introduced.	Present

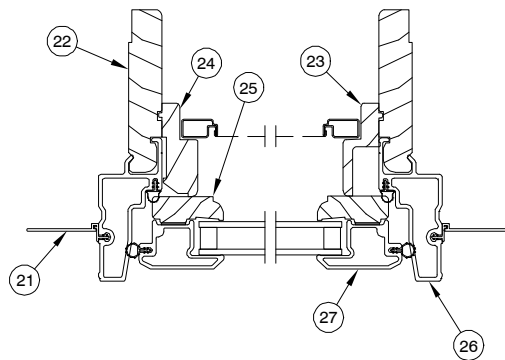
PRODUCED	UNIT TYPE	FEATURES OR CHANGES	STATUS
January 2010	Casement/Awning	Introduced grille tack and installation tool and added to accessory chapter.	Present
April 2010	Casement/Awning	Tempered Obscure glass option introduced	Present
August 2010	Casement	August 30, 2010; Introduced additional sizes for the Elevate Casement product, CN 3331, CN3335, CN3731, and CN3735.	Present
April 2011	Casement	LoE 180™ glass option introduced.	Present
June 2011	Casement/Awning	Added 41" width to the ELAWN and ELCAP.	Present
December 2011	Casement/Awning	December 19, 2011: Introduced special sizes.	Present
June 2012	Casement/Awning	Tripane Glass and Simulated Checkrail Bar options introduced.	Present
August 2012	Casement/Awning	August 27, 2012: Introduced Ebony exterior and exterior casing options.	Present
October 2012	Casement/Awning	October 29, 2012: Introduced Expanded Sizes and Mulls.	Present
December 2013	Casement/Awning	December 16, 2013: Introduced special sizes on Impact products.	Present
August 2014	Casement/Awning	August 25, 2014: Combined Casement and Awning sections into one. Removed service section to it's own stand alone instruction.	Present
December 2014	Casement/Awning	December 29, 2014: Added service section back to the end of this section.	Present
August 2015	Awning	August 31, 2015: Introduced Awning sash limiter option	Present
December 2017	Casement/Awning	December 18,2017: Added availability of customer specified lite cut configurations for SDL with and without spacer bar and GBG, to include simulated check rail and allow any color GBG to the exterior only of standard and special sized units.	Present
October 2018	Casement/Awning	October 29, 2018: Introduced Designer Black and Clear interior finishes and Matte Black (MBK) hardware option. Low E3 ERS glass type was added.	Present
December 2018	Casement/Awning	December 17, 2018: Introduced textured glass types: Reed, Narrow Reed, Rain, Glue Chip and Frost and also colored glass types: Clear, Bronze, Gray and Green.	Present
December 2019	Casement/Awning	December 16, 2019: Discontinued the sale of Wood Removable Grilles.	Present

CASEMENT OPERATOR



**Head Jamb
and Sill**

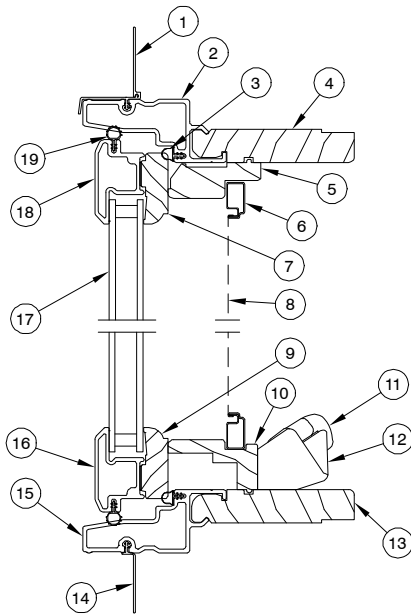
1. Head Jamb Nailing Fin/Drip Cap
2. Head Jamb Cladding
3. Frame Weather Strip
4. Head Jamb
5. Head Jamb Stop
6. Screen Frame
7. Top Rail
8. Screen
9. Bottom Rail
10. Hardware Cover
11. Roto Gear Folding Handle
12. Roto Gear Assembly
13. Sill
14. Hinge Track Backer
15. Sill Nailing Fin
16. Sill Cladding
17. Bottom Rail Cladding
18. Insulating Glass
19. Top Rail Cladding
20. Sash Weather Strip
21. Jamb Nailing Fin
22. Jamb
23. Jamb Stop- Lock Side
24. Jamb Stop- Hinge Side
25. Stile
26. Jamb Cladding
27. Stile Cladding
28. Hinge Track



Jamb

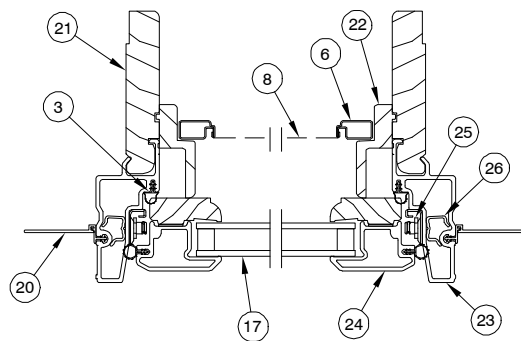
NOTE: Not to scale; specifications subject to change without notice.

AWNING OPERATOR



- 1. Head Jamb Nailing Fin/Drip Cap
- 2. Head Jamb Cladding
- 3. Frame Weather Strip
- 4. Head Jamb
- 5. Head Jamb Stop
- 6. Screen Frame
- 7. Top Rail
- 8. Screen
- 9. Bottom Rail
- 10. Hardware Cover
- 11. Folding Handle
- 12. Roto Gear Assembly
- 13. Sill
- 14. Sill Nailing Fin
- 15. Sill Cladding
- 16. Bottom Rail Cladding
- 17. Insulating Glass
- 18. Top Rail Cladding Strip
- 19. Sash Weather Strip
- 20. Jamb Nailing Fin
- 21. Jamb
- 22. Jamb Stop
- 23. Jamb Cladding
- 24. Stile
- 25. Hinge Track
- 26. Hinge Track Backer

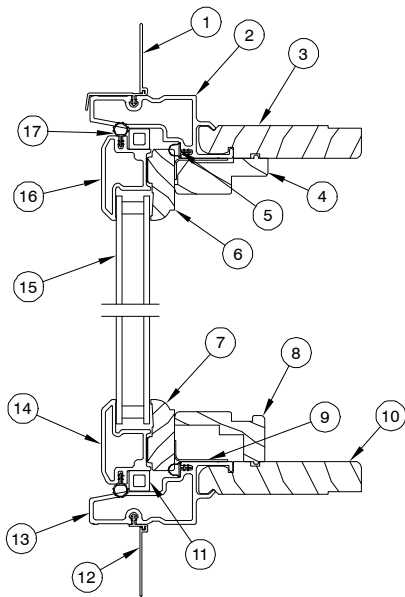
**Head Jamb
and Sill**



Jamb

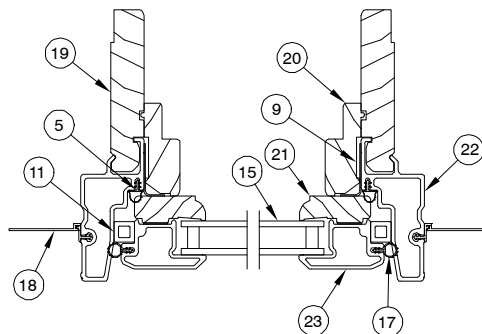
NOTE: Not to scale; specifications subject to change without notice.

**CASEMENT / AWNING
STATIONARY / PICTURE**



1. Head Jamb Nailing Fin/Drip Cap
2. Head Jamb Cladding
3. Head Jamb
4. Head Jamb Stop
5. Frame Weather Strip
6. Top Rail
7. Bottom Rail
8. Sill Cover
9. Stationary Sash Bracket
10. Sill
11. Centering Block
12. Sill Nailing Fin
13. Sill Cladding
14. Bottom Rail Cladding
15. Insulating Glass
16. Top Rail Cladding
17. Sash Weather Strip
18. Jamb Nailing Fin
19. Jamb
20. Jamb Stop
21. Stile
22. Jamb Cladding
23. Stile Cladding

**Head Jamb
and Sill**

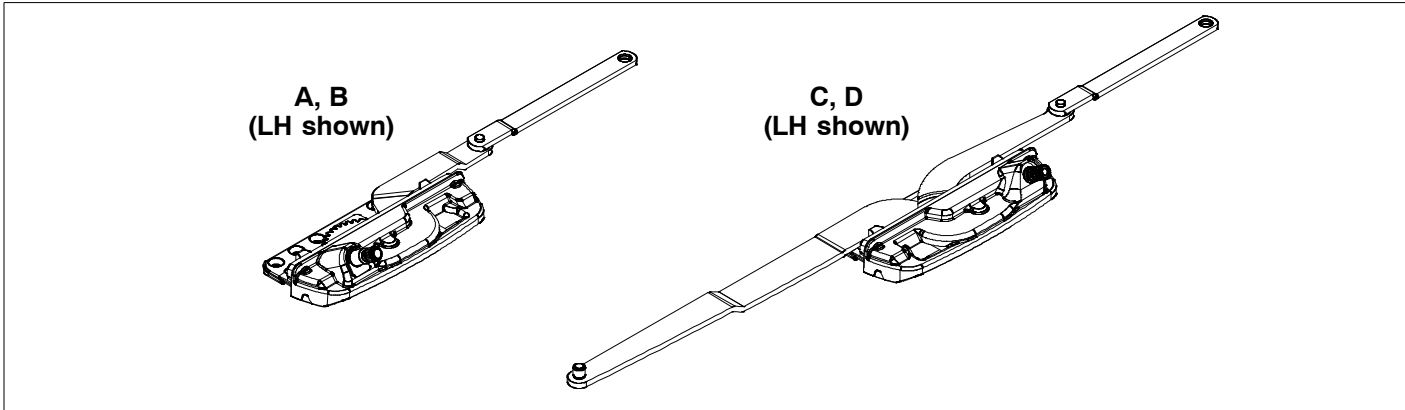


Jamb

NOTE: Not to scale; specifications subject to change without notice.

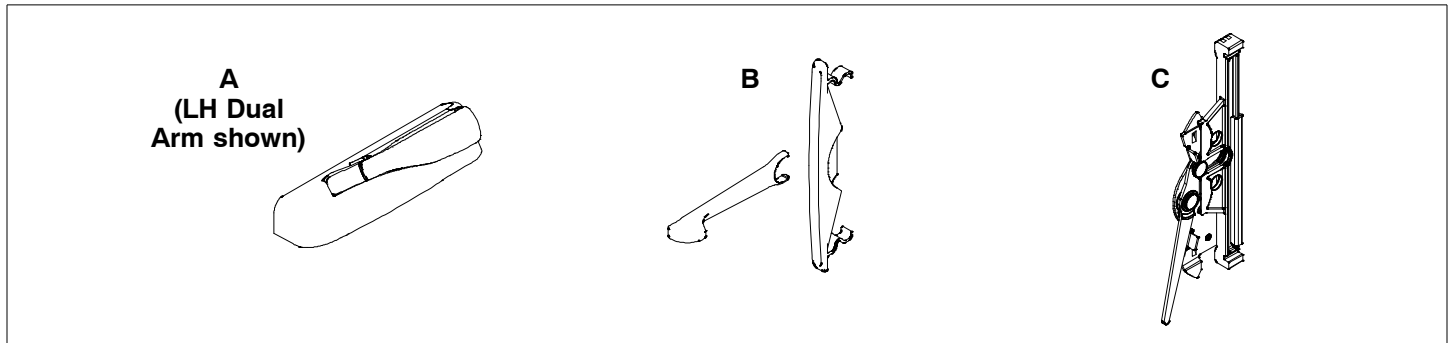
When ordering replacement parts specify:

1. Type of unit;
2. Part number;
3. Description;
4. Color.



Description		Part Number	
A: Dyad Operator Roto-gear			
Usage: 9/24/2007 to Present	Used on: CN 17 and 21	RH	10896280
Includes fasteners:	(up to RO 25" (635))	LH	10896279
4 - #8 x 7/8" (22), PH, Flat, AB, Steel w/ZYC			
B: Dyad Operator Roto-gear, Coastal			
Usage: 6/2/2008 to Present	Used on: CN 17 and 21	RH	11896714
Includes fasteners:	(up to RO 25" (635))	LH	11896713
4 - #8 x 7/8" (22), PH, Flat, AB, Steel w/ZYC			
C: Dual Arm Operator Roto-gear			
Usage: 9/24/2007 to Present	Used on: CN 25-37	RH	10896282
Includes fasteners:		LH	10896281
4 - #8 x 7/8" (22), PH, Flat, AB, Steel w/ZYC			
D: Dual Arm Operator Roto-gear, Coastal			
Usage: 6/2/2008 to Present	Used on: CN 25-37	RH	11896716
Includes fasteners:		LH	11896715
4 - #8 x 7/8" (22), PH, Flat, AB, Steel w/ZYC			

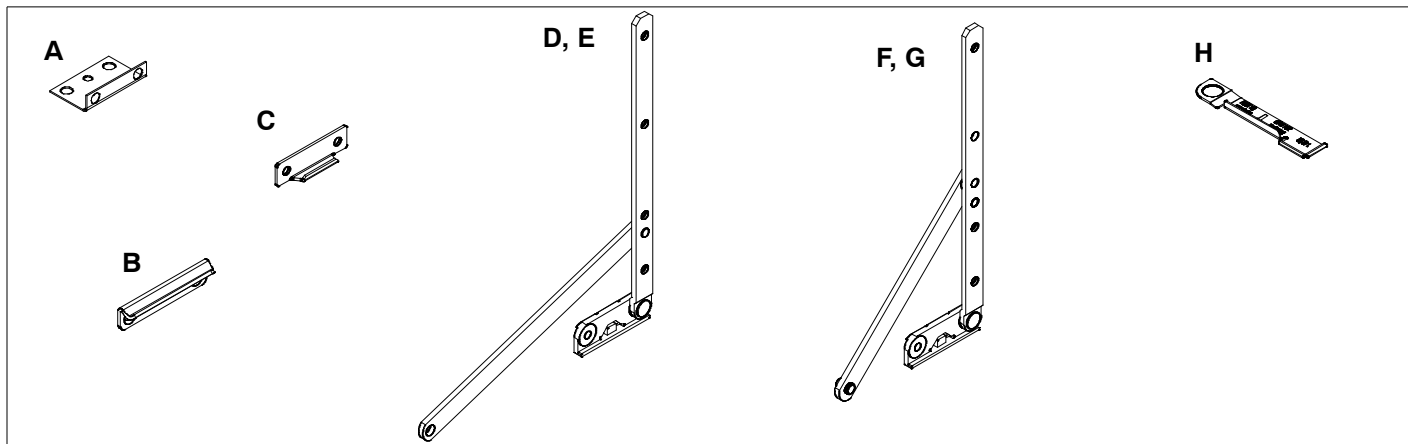
CASEMENT



Description	RH Dyad LH Dual Part No.	LH Dyad RH Dual Part No.
A: Folding Handle/Cover Usage: 9/24/2007 to Present		
For CN17 and CN21 (Dyad) Up to RO 25" (635) For CN25 – CN37 (Dual Arm)	Almond Frost 10896251 White 10896254 Oil Rubbed Bronze 10896306 Satin Nickel 10896305 Brass 10896304 Matte Black 10896318	10896250 10896253 10896303 10896302 10896301 10896319

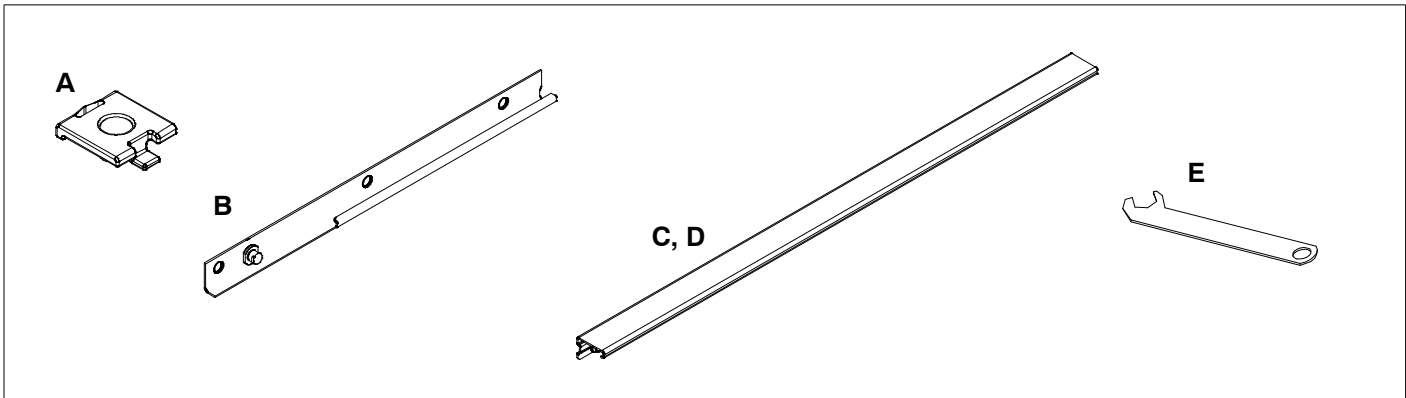
Description	Part Number
B: Lock Drive Handle and Escutcheon Usage: 9/24/2007 to Present	Almond Frost 10895019 White 10895018 Oil Rubbed Bronze 10895020 Satin Nickel 10895021 Brass 10895022 Matte Black 10895023
C: Lock Drive Assembly Usage: 9/24/2007 to Present Includes fasteners: 3 – #7 x 3/4" (19), PH, Flat, AB, Steel w/ZYC	10896265

CASEMENT






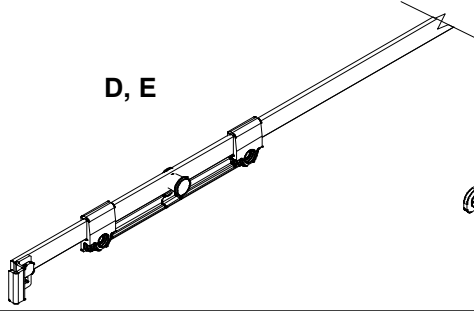
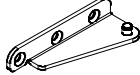
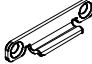

Description		Part Number	
A: Stationary Bracket Usage: 9/24/2007 to Present Includes fasteners: 2 - #8 x 1" (25), PH, Flat, AB, Steel w/ZYC 2 - #8 x 1/2" (13), PH, Flat, UC, Steel w/ZYC			10896297
A: Stationary Bracket - Coastal Usage: 6/2/2008 to Present Includes fasteners: 2 - #8 x 1" (25), PH, Flat, AB, Steel w/ZYC 2 - #8 x 1/2" (13), PH, Flat, UC, Steel w/ZYC			11896736
B: Concealed Snubber Usage: 9/24/2007 to Present Includes fasteners: 2 - 5/32" x 5/16", Peel rivets	Used on: Units with a Rough Opening of greater than 39 5/8" (1006)		11841111
C: Interlocking Snubber Usage: 9/24/2007 to Present Includes fasteners: 2 - #8 x 5/8" (16), PH, Flat, UC, SS	Used on: Sash and Frame with a Rough Opening sizes greater than 63 5/8" (1616) and impacts Rough Opening sizes greater than 39 5/8" (1006)		10896275
D: Hinge Arm Assembly - Egress Usage: 9/24/2007 to Present Includes fasteners: 4 - #7 x 5/8" (16), PH, Flat, AB-17, Steel w/ZYC	Used on: Units with a Rough Opening of 27 1/8"-29 63/64" (689-762)	RH UL-LR LH LL-UR	10896272 10896273
E: Hinge Arm Assembly - Egress, Coastal Usage: 6/2/2008 to Present Includes fasteners: 4 - #7 x 5/8" (16), PH, Flat, AB-17, SS	Used on: Units with a Rough Opening of 27 1/8"-29 63/64" (689-762)	RH UL-LR LH LL-UR	11896723 11896722
F: Hinge Arm Assembly Usage: 1994 to Present Includes fasteners: 4 - #7 x 5/8" (16), PH, Flat, AB-17, Steel w/ZYC	Used on: All operators EXCEPT units with a Rough Opening of 27 1/8"-29 63/64" (689-762)	RH UL-LR LH LL-UR	10814755 10814754
G: Hinge Arm Assembly, Coastal Usage: 6/2/2008 to Present Includes fasteners: 4 - #7 x 5/8" (16), PH, Flat, AB-17, SS	Used on: All operators EXCEPT units with a Rough Opening of 27 1/8"-29 63/64" (689-762)	RH UL-LR LH LL-UR	11896721 11896720
H: Hinge Limiter Usage: 9/24/2007 to Present	Used on: All operators with a Rough Opening 30" (762) and greater	Stainless Steel RH LH	11862601 11862602

CASEMENT

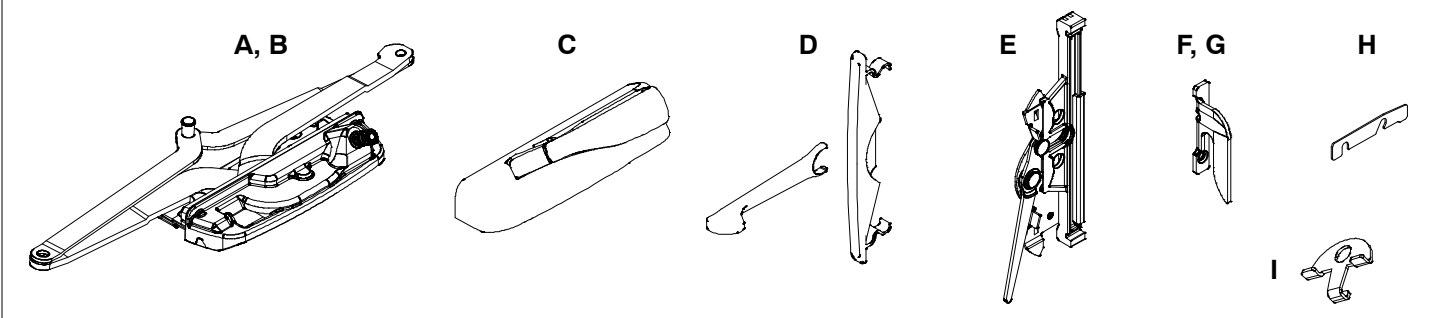


Description	Part Number
A: Guide Track Shoe Usage: 9/24/2007 to Present	10896277
B: Adjustable Hinge Track Usage: 9/24/2007 to Present Includes fasteners: 3 - #7 x 5/8" (16), PH, Flat, UC, SS	Stainless Steel UL-LR 10896284 LL-UR 10896283
C: Guide Track Usage: 9/24/2007 to Present Includes fasteners: 3 - #7 x 1 1/4" (32), PH, Flat, AB, Steel w/ZYC	10896276
D: Guide Track - Coastal Usage: 6/2/2008 to Present Includes fasteners: 3 - #7 x 1 1/4" (32), PH, Flat, SS	11896717
E: 3/8" Open Ended Wrench Usage: 9/24/2007 to Present	10814840

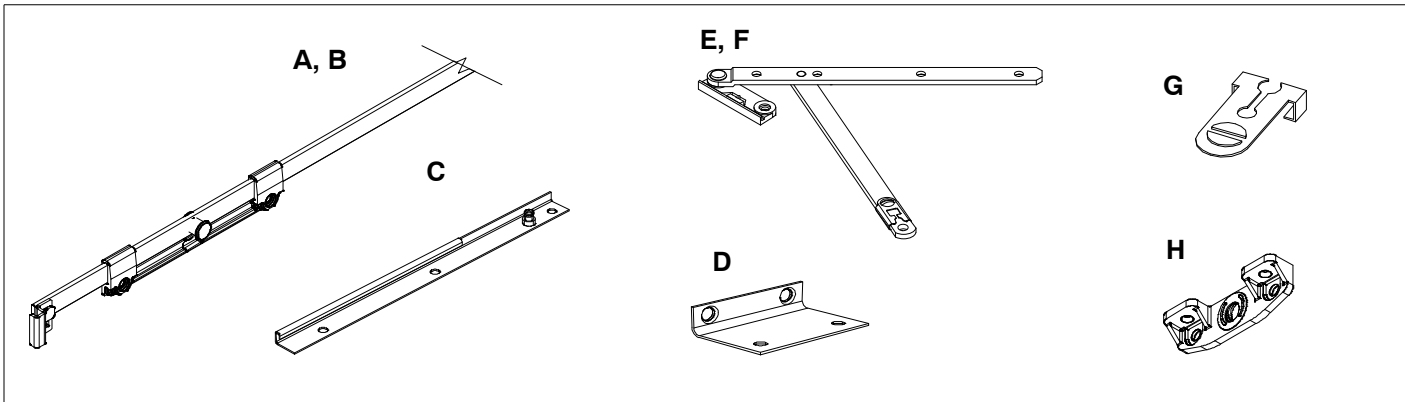
CASEMENT

 	 			
Description				Part Number
A: Keeper Usage: 9/24/2007 to Present Keeper quantity needed for: CN31 (1 EA), CN 35-47 (2 EA), CN 55-71 (3 EA) Recommended fasteners: 2 needed per keeper: #7 x 1 1/4", PH, Flat, AB E-Gard - 11800743, BK - 11800943				E-Gard RH 10896267 E-Gard LH 10896266 Black RH 11862913 Black LH 11862914
B: Keeper, Coastal Usage: 6/2/2008 to Present Keeper quantity needed for: CN31 (1 EA), CN 35-47 (2 EA), CN 55-71 (3 EA) Recommended fasteners: 2 needed per keeper: #7 x 1 1/4", PH, Flat, AB, Stainless Steel, 11806110				Stainless Steel RH 11862613 Stainless Steel LH 11862614
C: Keeper Shim Usage: 11/2019 to Present				White 10500617 Black 10500618
D: Tie Bar Assembly Usage: 9/24/2007 to Present Includes fasteners: 2, 4, or 6 - #7 x 3/4" (19), PH, Pan, AB, SS				CN 31 10896255 CN35 and 39 10896256 CN43 and 47 10896257 CN 55 and 59 10896258 CN 63 10896259 CN 71 10896260
E: Tie Bar Assembly, Coastal Usage: 9/24/2007 to Present Includes fasteners: 2, 4, or 6 - #7 x 3/4" (19), PH, Pan, AB, SS				CN 31 11896724 CN 35 and 39 11896725 CN 43 and 47 11896726 CN 55 and 59 11896727 CN 63 11896728 CN 71 11896729
F: Stud Bracket Usage: 9/24/2007 to Present Includes fasteners: 2 - #7 x 1 1/4" (32), PH, Flat, Steel w/ZYC				RH 10896264 LH 10896263
G: Stud Bracket, Coastal Usage: 9/24/2007 to Present Includes fasteners: 2 - #7 x 1 1/4" (32), PH, Flat, SS				RH 11896719 LH 11896718
H: Sash Snubber Usage: 9/24/2007 to Present Includes fasteners: 2 - #7 x 5/8" (16), PH, Flat, UC, SS				For sash with a rough opening greater than 39 5/8" (1006) 11873231
I: Casement Hinge Lift Usage: 6/2/2008 to Present				11862631

AWNING

		Description	Part Number
A: Scissor Arm Operator		Usage: 9/24/2007 to Present Includes fasteners: 4 – #8 x 7/8" (22), PH, Flat, AB, Steel w/ZYC	10896278
B: Scissor Arm Operator, Coastal		Usage: 6/2/2008 to Present Includes fasteners: 4 – #8 x 7/8" (22), PH, Flat, AB, Steel w/ZYC	11862612
C: Folding Handle/Cover		Usage: 9/24/2007 to Present	Almond Frost 10896251 White 10896254 Oil Rubbed Bronze 10896306 Satin Nickel 10896305 Brass 10896304 Matte Black 10896318
D: Lock Drive Handle and Escutcheon		Usage: 9/24/2007 to Present	Almond Frost 10895019 White 10895018 Oil Rubbed Bronze 10895020 Satin Nickel 10895021 Brass 10895022 Matte Black 10895023
E: Lock Drive Assembly		Usage: 9/24/2007 to Present Includes fasteners: 2 – #7 x 3/4" (19), PH, Pan, AB, Steel w/ZYC	10896265
F: Keeper		Usage: 9/24/2007 to Present Recommended fasteners: 2 needed per keeper: #7 x 1 1/4", PH, Flat, AB ZYC (E-Gard) – 11800743, BK – 11800943	E-Gard RH 10896267 E-Gard LH 10896266 Black RH 11862913 Black LH 11862914
G: Keeper, Coastal		Usage: 6/2/2008 to Present Recommended fasteners: 2 needed per keeper: #7 x 1 1/4", PH, Flat, AB SS, 11806110	Stainless Steel RH 11862613 Stainless Steel LH 11862614
H: Keeper Shim		Usage: 11/2019 to Present	White 10500617 Black 10500618
I: Sash Limiter		Usage: 9/24/2007 to Present	11860938

AWNING

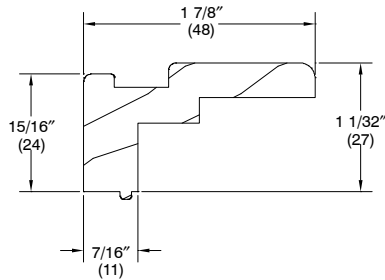


Description	Part Number	
A: Tie Bar Assembly Usage: Present Includes fasteners: 2 – #7 x 3/4" (19), PH, Pan, SS	RH LH	10896262 10896261
B: Tie Bar Assembly, Coastal Usage: 6/2/2008 to Present Includes fasteners: 2 – #7 x 3/4" (19), PH, Pan, SS	RH LH	11896735 11896734
C: Stainless Steel Hinge Track Kit Usage: 6/2/2008 to Present Includes fasteners: 3 – #7 x 1 1/4" (32), PH, Flat, SS	RH LH	11896733 11896732
D: Stationary Bracket Usage: 9/24/2007 to Present Includes fasteners: 2 – #8 x 1" (25), PH, Flat, AB, Steel w/ZYC 2 – #8 x 1/2" (13), PH, Flat, UC, Steel w/ZYC		10896297
E: Hinge Arm Assembly Usage: 9/24/2007 to Present Includes fasteners: includes fasteners: 4 – #7x5/8" (16), PH, Flat, AB-17, Steel w/ZYC	RH LH	10813005 10813004
F: Coastal Hinge Kit Usage: 9/24/2007 to Present Includes fasteners: 4 – #7x5/8" (16), PH, Flat, AB-17, SS	RH LH	11896731 11896730
G: Detach Hinge, Clip Usage: 9/24/2007 to Present		10814839
H: Stud Bracket Usage: 9/24/2007 to Present Includes fasteners: 2 – #7x 1 1/4", PH, Flat, Steel w/ZYC 2 – #7x1 1/4", PH, Flat, SS-Coastal option only		10896274

TO ORDER REPLACEMENT WOOD PARTS

When ordering replacement wood parts specify:

1. Profile number;
2. Part number;
3. Length;
4. Handing (if applicable);
5. Bare wood or white interior.



W7014 Hardware Cover

Usage: 9/24/2007 to Present

- A: Stationary/Picture**
- B: Picture**
- C: Operator**

Description		Bare Wood	White	Designer Black	Clear
A	12 19/32" (320) CN17	33732717	39232717	39932717	33832717
	16 19/32" (422) CN21	33732721	39232721	39932721	33832721
	20 19/32" (523) CN25	33732725	39232725	39932725	33832725
	24 19/32" (625) CN29	33732729	39232729	39932729	33832729
	28 19/32" (727) CN33	33732733	39232733	39932733	33832733
	32 19/32" (828) CN37	33732737	39232737	39932737	33832737
B	36 19/32" (930) CN41	33732741	39232741	39932741	33832741
	44 19/32" (1133) CN49	33732749	39232749	39932749	33832749
	52 19/32" (1336) CN57	33732757	39232757	39932757	33832757
	68 19/32" (1743) CN73	33732773	39232773	39932773	33832773
C	12 19/32" (320) CN17	33732617	39232617	39932617	33832617
		33732618	39232618	39932618	33832618
	16 19/32" (422) CN21	33732621	39232621	39932621	33832621
		33732622	39232622	39932622	33832622
	20 19/32" (523) CN25	33732625	39232625	39932625	33832625
		33732626	39232626	39932626	33832626
		33732525	39232525	39932525	33832525
	24 19/32" (625) CN29	33732629	39232629	39932629	33832629
		33732630	39232630	39932630	33832630
		33732529	39232529	39932529	33832529
	28 19/32" (727) CN33	33732633	39232633	39932633	33832633
		33732634	39232634	39932634	33832634
		33732533	39232533	39932533	33832533
	32 19/32" (828) CN37	33732637	39232637	39932637	33832637
	33732638	39232638	39932638	33832638	
	33732537	39232537	39932537	33832537	
36 19/32" (929) CN41	33732541	39232541	39932541	33832541	
44 19/32" (1133) CN49	33732549	39232549	39932549	33832549	

A: W9696 Head Jamb Stop

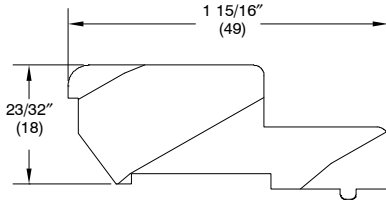
Usage: 9/24/2007 to Present

B: W9696 Jamb Stop – Hinge Side/Stat.

Usage: 9/24/2007 to Present

C: 3/8" Flat Head Plug

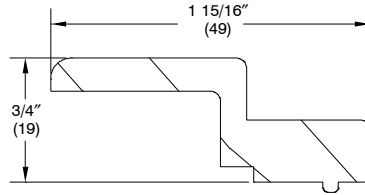
Usage: 01/30/2012 to Present



Description				Bare Wood	White	Designer Black	Clear
A	12 19/32" (320)	CN17	ELCA	33732817	39232817	39932817	33832817
	16 19/32" (422)	CN21	ELCA/ELAWN	33732821	39232821	39932821	33832821
	20 19/32" (523)	CN25	ELCA/ELAWN	33732825	39232825	39932825	33832825
	24 19/32" (625)	CN29	ELCA/ELAWN	33732829	39232829	39932829	33832829
	28 19/32" (727)	CN33	ELCA/ELAWN	33732833	39232833	39932833	33832833
	32 19/32" (828)	CN37	ELCA/ELAWN	33732837	39232837	39932837	33832837
	36 19/32" (930)	CN41	ELCA/ELAWN	33732841	39232841	39932841	33832841
	44 19/32" (1133)	CN49	ELCA/ELAWN	33732849	39232849	39932849	33832849
	52 19/32" (1285)	CN57	ELCA	33732857	39232857	39932857	33832857
68 19/32" (1743)	CN73	ELCA	33732873	39232873	39932873	33832873	
B	13 3/32" (333)	CN16	ELCA/ELAWN	33732816	39232816	39932816	33832816
	16 15/32" (409)	CN19	ELCA/ELAWN	33732819	39232819	39932819	33832819
	20 15/32" (511)	CN23	ELCA/ELAWN	33732823	39232823	39932823	33832823
	24 15/32" (612)	CN27	ELCA/ELAWN	33732827	39232827	39932827	33832827
	28 15/32" (714)	CN31	ELCA/ELAWN	33732831	39232831	39932831	33832831
	32 15/32" (816)	CN35	ELCA/ELAWN	33732835	39232835	39932835	33832835
	36 15/32" (917)	CN39	ELCA/ELAWN	33732839	39232839	39932839	33832839
	40 19/32" (1019)	CN43	ELCA	33732843	39232843	39932843	33832843
	44 15/32" (1120)	CN47	ELCA/ELAWN	33732847	39232847	39932847	33832847
	52 15/32" (1324)	CN55	ELCA	33732855	39232855	39932855	33832855
	56 15/32" (1425)	CN59	ELCA	33732859	39232859	39932859	33832859
	60 15/32" (1527)	CN63	ELCA	33732863	39232863	39932863	33832863
68 15/32" (1730)	CN71	ELCA	33732871	39232871	39932871	33832871	
C			ELCA/ELAWN	02074849	39224849	02074894	31674849

**A: W9697 Jamb Stop –
Lock Side Operator**

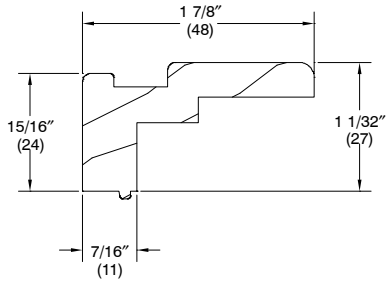
Usage: 9/24/2007 to
Present



Description					Bare Wood	White	Designer Black	Clear
A	28 15/32" (723)	CN31	ELCA	RH	33732431	39232431	39932431	33832431
			ELCA	LH	33732432	39232432	39932432	33832434
	32 15/32" (800)	CN35	ELCA	RH	33732435	39232435	39932435	33832435
			ELCA	LH	33732436	39232436	39932436	33832336
	36 15/32" (927)	CN39	ELCA	RH	33732439	39232439	39932439	33832439
			ELCA	LH	33732440	39232440	39932440	33832440
	40 19/32" (1031)	CN43	ELCA	RH	33732443	39232443	39932443	33832443
			ELCA	LH	33732444	39232444	39932444	33832444
	44 15/32" (1130)	CN47	ELCA	RH	33732447	39232447	39932447	33832447
			ELCA	LH	33732448	39232448	39932448	33832448
	52 15/32" (1333)	CN55	ELCA	RH	33732455	39232455	39932455	33832455
			ELCA	LH	33732456	39232456	39932456	33832456
	56 15/32" (1435)	CN59	ELCA	RH	33732459	39232459	39932459	33832459
			ELCA	LH	33732460	39232460	39932460	33832460
60 15/32" (1612)	CN63	ELCA	RH	33732463	39232463	39932463	33832463	
		ELCA	LH	33732464	39232464	39932464	33832464	
68 15/32" (1739)	CN71	ELCA	RH	33732471	39232471	39932471	33832471	
		ELCA	LH	33732472	39232472	39932472	33832472	
A	16 15/32" (418)	CN19	ELAWN	RH	33733119	39233119	39933119	33833119
			ELAWN	LH	33733120	39233120	39933120	33833120
	20 15/32" (520)	CN23	ELAWN	RH	33733123	39233123	39933123	33833123
			ELAWN	LH	33733124	39233124	39933124	33833124
	24 15/32" (622)	CN27	ELAWN	RH	33733127	39233127	39933127	33833127
			ELAWN	LH	33733128	39233128	39933128	33833128
	32 15/32" (800)	CN35	ELAWN	RH	33733135	39233135	39933135	33833135
			ELAWN	LH	33733136	39233136	39933136	33833136
	36 15/32" (927)	CN39	ELAWN	RH	33733139	39233139	39933139	33833139
			ELAWN	LH	33733140	39233140	39933140	33833140
44 15/32" (1130)	CN47	ELAWN	RH	33733147	39233147	39933147	33833147	
		ELAWN	LH	33733148	39233148	39933148	33833148	

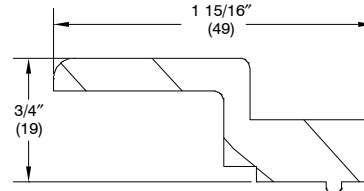
A: W7014 Hardware Cover, WOCD

Usage: 10/24/2011 to Present



B: W9697 Jamb Stop Lock Side Operator, WOCD only

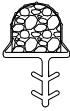
Usage: 10/24/2011 to Present




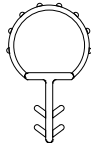
Description					Bare Wood	White	Designer Black	Clear
A	16 19/32" (422)	CN21	ELCA	RH	33733621	39233621	39933621	33833621
			ELCA	LH	33733622	39233622	39933622	33833622
	20 19/32" (523)	CN25	ELCA	RH	33733625	39233625	39933625	33833625
			ELCA	LH	33733626	39233626	39933626	33833626
	24 19/32" (625)	CN29	ELCA	RH	33733629	39233629	39933629	33833629
			ELCA	LH	33733630	39233630	39933630	33833630
28 19/32" (727)	CN33	ELCA	RH	33733633	39233633	39933633	33833633	
		ELCA	LH	33733634	39233634	39933634	33833634	
32 19/32" (828)	CN37	ELCA	RH	33733637	39233637	39933637	33833637	
		ELCA	LH	33733638	39233638	39933638	33833638	
B	27 47/64" (704)	CN31	ELCA	RH	33733431	39233431	39933431	33833431
			ELCA	LH	33733432	39233432	39933432	33833432
	31 47/64" (806)	CN35	ELCA	RH	33733435	39233435	39933435	33833435
			ELCA	LH	33733436	39233436	39933436	33833436
	35 47/64" (908)	CN39	ELCA	RH	33733439	39233439	39933439	33833439
			ELCA	LH	33733440	39233440	39933440	33833440
	39 55/64" (1012)	CN43	ELCA	RH	33733443	39233443	39933443	33833443
			ELCA	LH	33733444	39233444	39933444	33833444
	43 47/64" (1111)	CN47	ELCA	RH	33733447	39233447	39933447	33833447
			ELCA	LH	33733448	39233448	39933448	33833448
	51 47/64" (1314)	CN55	ELCA	RH	33733455	39233455	39933455	33833455
			ELCA	LH	33733456	39233456	39933456	33833456
	55 47/64" (1416)	CN59	ELCA	RH	33733459	39233459	39933459	33833459
			ELCA	LH	33733460	39233460	39933460	33833460
59 47/64" (1517)	CN63	ELCA	RH	33733463	39233463	39933463	33833463	
		ELCA	LH	33733464	39233464	39933464	33833464	
67 47/64" (1720)	CN71	ELCA	RH	33733471	39233471	39933471	33833471	
		ELCA	LH	33733472	39233472	39933472	33833472	

TO ORDER WEATHER STRIP:

When ordering replacement weather strip specify description, profile number, part number and quantity.

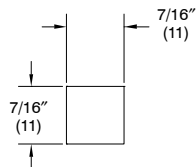
						<p>V189 Frame Weather Strip</p>	
Description							Part Number
<p>V189 Weather Strip – Head Jamb/Sill</p> <p>Usage: 1/1994 to Present ELCA</p> <p><i>NOTE: Prior to 2002, bulb was hollow.</i></p> <p>Usage: 5/2002 to Present ELAWN</p>	13 29/32" (320)	CN17	ELCA/ELCAP/ELCATR	Black	17003000		
	17 29/32" (456)	CN21	ELCA/ELCAP/ELCATR		17003002		
	21 29/32" (557)	CN25	ELCA/ELAWN/ELCAP/ELCATR		17003004		
	25 29/32" (659)	CN29	ELCA/ELAWN/ELCAP/ELCATR		17003006		
	29 29/32" (760)	CN33	ELCA/ELAWN/ELCAP/ELCATR		17003008		
	33 29/32" (862)	CN37	ELCA/ELAWN/ELCAP/ELCATR		17003010		
	36 29/32" (955)	CN41	ELAWN/ELCAP/ELCATR		17003011		
	45 29/32" (1167)	CN49	ELAWN/ELCAP/ELCATR		17003012		
	53 29/32" (1370)	CN57	ELCAP/ELCATR		17003014		
	69 29/32" (1776)	CN73	ELCAP/ELCATR		17003015		
<p>V189 Weather Strip – Jamb</p> <p>Usage: 1/1994 to Present ELCA</p> <p><i>NOTE: Prior to 2002, bulb was hollow.</i></p> <p>Usage: 5/2002 to Present ELAWN</p>	13 23/32" (349)	CN16	ELCAP/ELCATR	Black	17003016		
	17 3/32" (434)	CN19	ELAWN/ELCAP/ELCATR		17003018		
	21 3/32" (536)	CN23	ELAWN/ELCAP/ELCATR		17003020		
	25 3/32" (637)	CN27	ELAWN/ELCAP/ELCATR		17003021		
	28 31/32" (729)	CN31	ELCA/ELCAP/ELCATR		17003022		
	32 31/32" (831)	CN35	ELCA/ELAWN/ELCAP/ELCATR		17003024		
	36 31/32" (932)	CN39	ELCA/ELAWN/ELCAP/ELCATR		17003026		
	40 15/32" (1037)	CN43	ELCA/ELCAP/ELCATR		17003028		
	44 31/32" (1136)	CN47	ELCA/ELAWN/ELCAP/ELCATR		17003030		
	52 31/32" (1339)	CN55	ELCA/ELCAP/ELCATR		17003032		
	56 31/32" (1440)	CN59	ELCA/ELCAP/ELCATR		17003034		
	60 31/32" (1542)	CN63	ELCA/ELCAP/ELCATR		17003036		
	68 31/32" (1745)	CN71	ELCA/ELCAP/ELCATR		17003038		

						<p>V2837 Frame Weather Strip</p>	
Description							Part Number
<p>Weather Strip – V2837</p> <p>Field Service only to replace V189</p>	120" (3048)	Lineal	ELCA/ELAWN	Black	17000120		



V147
Sash Weather Strip

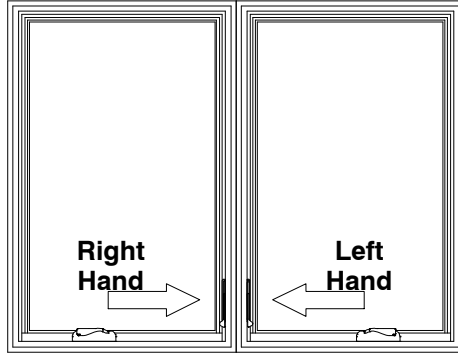
Description		Part Number
V147 Weather Strip – Rail	14 9/32" (320) CN17 ELCA/ELCAP/ELCATR	17001917
	Usage: 1/1994 to Present ELCA	17001921
	Usage: 1/1994 to Present ELAWN	17001925
	18 9/32" (456) CN21 ELCA/ELCAP/ELCATR	17001929
	22 9/32" (557) CN25 ELCA/ELAWN/ELCAP/ELCATR	17001933
	26 9/32" (659) CN29 ELCA/ELAWN/ELCAP/ELCATR	17001937
	30 9/32" (760) CN33 ELCA/ELAWN/ELCAP/ELCATR	17001941
	34 9/32" (862) CN37 ELCA/ELAWN/ELCAP/ELCATR	17001949
	38 9/32" (972) CN41 ELAWN/ELCAP/ELCATR	17001957
	46 9/32" (1167) CN49 ELAWN/ELCAP/ELCATR	17001973
	54 9/32" (1370) CN57 ELCAP/ELCATR	17002299
70 9/32" (1776) CN73 ELCAP/ELCATR		
150" (3810) Lineal ELCA/ELAWN/ELCAP/ELCATR		
Weather Strip – Stile – V147	14 1/32" (356) CN16 ELCAP/ELCATR	17001916
	Usage: 1/1994 to Present ELCA	17001919
	Usage: 1/1994 to Present ELAWN	17001923
	17 13/32" (442) CN19 ELAWN/ELCAP/ELCATR	17001927
	21 13/32" (544) CN23 ELAWN/ELCAP/ELCATR	17001931
	25 13/32" (645) CN27 ELAWN/ELCAP/ELCATR	17001935
	29 13/32" (747) CN31 ELCA/ELCAP/ELCATR	17001939
	33 13/32" (849) CN35 ELCA/ELAWN/ELCAP/ELCATR	17001943
	37 13/32" (950) CN39 ELCA/ELAWN/ELCAP/ELCATR	17001947
	41 17/32" (1055) CN43 ELCA/ELCAP/ELCATR	17001955
	45 13/32" (1153) CN47 ELCA/ELAWN/ELCAP/ELCATR	17001959
	53 13/32" (1357) CN55 ELCA/ELCAP/ELCATR	17001963
	57 13/32" (1458) CN59 ELCA/ELCAP/ELCATR	17001971
	61 13/32" (1560) CN63 ELCA/ELCAP/ELCATR	
	69 13/32" (1763) CN71 ELCA/ELCAP/ELCATR	
150" (3810) Lineal ELCA/ELAWN/ELCAP/ELCATR		



Description		Part Number
V2055, Stationary Sash Setting Block		10500489
Usage: 06/29/2012 to present		

WHEN ORDERING REPLACEMENT CASEMENT SASH SPECIFY:

1. Size (using chart below)
2. Operating, stationary, transom or picture, left or right operator (if applicable)



Interior View

3. Exterior: Stone White (SW), Pebble Gray (PB), Bronze (BZ), Evergreen (EG), Cashmere (CS), Ebony (EB)
4. Interior: Bare wood, White, Designer Black or Clear
5. If unit(s) are older than Sept.24, 2007, please specify “casement–Pre 9/07”
6. If unit has an window opening control device (WOCD) applied to the sash, state this on the order.

Sash Sizes for Casement manufactured 1994 to Present

Daylight Opening to Sash OM

Daylight Width + 3 17/32” = OM Width of Sash

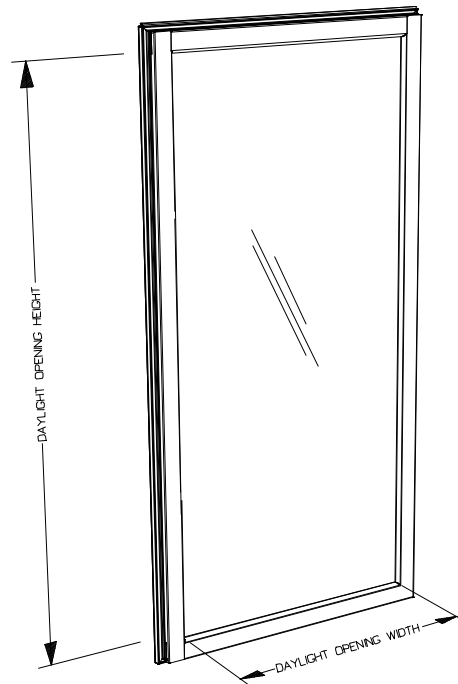
Daylight Height + 3 17/32” = OM Height of Sash

NOTE: Casement sash is not reglazable.

Replacement sash are marked for hardware application (hardware not included).

Replacement sash for units with the window opening control device (WOCD) will have the tether applied.

	CN Size	OM Width		CN Size	OM Height
Operator	CN17	14 5/16" (364)	Stationary, Picture	CN16	14 1/16" (357)
	CN21	18 5/16" (465)		CN19	17 7/16" (443)
	CN25	22 5/16" (567)		CN23	21 7/16" (545)
	CN29	26 5/16" (668)		CN27	25 7/16" (646)
	CN33	30 5/16" (770)		CN31	29 7/16" (748)
Operator	CN37	34 5/16" (872)	Stationary, Picture	CN35	33 7/16" (849)
	CN41	38 5/16" (973)		CN39	37 7/16" (951)
	CN49	46 5/16" (1176)		CN43	41 9/16" (1053)
	CN57	54 5/16" (1380)		CN47	45 7/16" (1154)
	CN73	70 5/16" (1786)		CN55	53 7/16" (1357)
				CN59	57 7/16" (1459)
				CN63	61 7/16" (1561)
		CN71	69 7/16" (1764)		



Casement – Interior View

NOTE: The daylight opening is the measurement of visible glass.

WHEN ORDERING AWNING REPLACEMENT SASH SPECIFY:

1. Size (using chart below);
2. Operating or stationary;
3. Exterior: Stone White (SW), Pebble Gray (PB), Bronze (BZ), Evergreen (EG), Cashmere (CS), Ebony (EB);
4. Interior: Bare wood, White, Designer Black or Clear

Sash Sizes for Awning

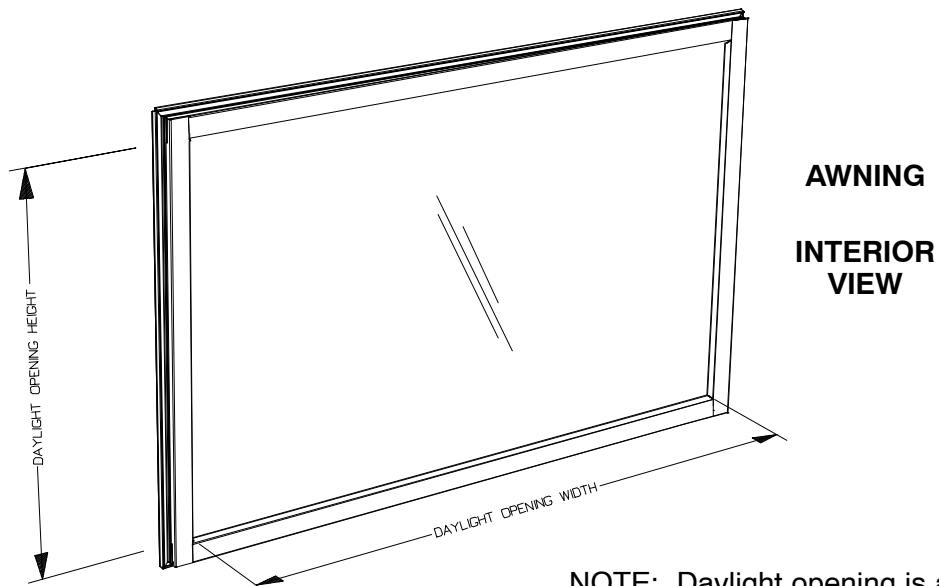
manufactured 1994 to Present

Daylight Opening to Sash OM

Daylight Width + 3 17/32" = OM Width of Sash
 Daylight Height + 3 17/32" = OM Height of Sash

NOTE: Awning sash is not reglazable.
 Replacement sash are marked for hardware application (hardware not included).

	CN Size	OM Width		CN Size	OM Height	
Operator/Stationary	CN21	18 5/16" (465)	Stationary	CN16	14 1/16" (357)	
	CN25	22 5/16" (567)		Operator	CN19	17 7/16" (443)
	CN29	26 5/16" (668)		CN23	21 7/16" (545)	
	CN33	30 5/16" (770)		CN27	25 7/16" (646)	
	CN37	34 5/16" (872)		CN31	29 7/16" (748)	
CN41	38 5/16" (973)	CN35		33 7/16" (849)		
CN49	46 5/16" (1176)	CN39		37 7/16" (951)		
		CN43		41 9/16" (1053)		
		CN47		45 7/16" (1154)		



NOTE: Daylight opening is a measurement of visible glass.

ORDERING REPLACEMENT SCREENS FOR CASEMENT / AWNING UNITS

Standard screens offer almond frost aluminum surround and charcoal colored fiberglass 18 x 16 screen mesh. Determine the outside measurement (OM) of the existing screen. Find the sizes that correspond to the width and height indicated on the following chart.

When ordering replacement screen specify:

1. Size; – measure the existing screen OM, if not available, determine the size of the screen by using the conversion chart shown below.
2. Aluminum or aluminum with bare wood veneer interior
3. Color: White, Almond Frost or Almond Frost with optional bare wood veneer interior.

**Manufactured 1994 to Present
Daylight Opening to OM of Screen**

Daylight opening is the measurement of the visible glass.

Daylight Width + 1 3/4" = OM Width of Screen – Aluminum

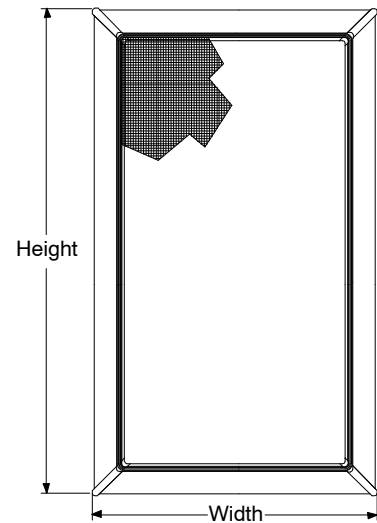
Daylight Height + 1 9/32" = OM Height of Screen – Aluminum

Daylight Width + 1 23/32" = OM Width of Screen – with wood veneer

Daylight Height + 1 1/4" = OM Height of Screen – with wood veneer

Screen Sizes for the Casement

OM Width			OM Height		
Size	Aluminum	Wood Veneer	Size	Aluminum	Wood Veneer
CN17	12 35/64" (319)	12 1/2" (318)	CN31	27 13/64" (691)	27 5/32" (690)
CN21	16 35/64" (420)	16 1/2" (419)	CN35	31 13/64" (793)	31 5/32" (791)
CN25	20 35/64" (522)	20 1/2" (521)	CN39	35 13/64" (894)	35 5/32" (893)
CN29	24 35/64" (624)	24 1/2" (622)	CN43	39 21/64" (999)	39 9/32" (998)
CN33	28 35/64" (725)	28 1/2" (724)	CN47	43 13/64" (1097)	43 5/32" (1096)
CN37	32 35/64" (827)	32 1/2" (826)	CN55	51 13/64" (1301)	51 5/32" (1299)
			CN59	55 13/64" (1402)	55 5/32" (1401)
			CN63	59 13/64" (1504)	63 5/32" (1503)
			CN71	67 13/64" (1707)	67 5/32" (1706)



Screen Sizes for the Awning

OM Width			OM Height		
Size	Aluminum	Wood Veneer	Size	Aluminum	Wood Veneer
CN25	20 35/64" (522)	20 1/2" (521)	CN19	15 13/64" (386)	15 5/32" (385)
CN29	24 35/64" (624)	24 1/2" (622)	CN23	19 13/64" (488)	19 5/32" (487)
CN33	28 35/64" (725)	28 1/2" (724)	CN27	23 13/64" (589)	23 5/32" (588)
CN37	32 35/64" (827)	32 1/2" (826)	CN35	31 13/64" (793)	31 5/32" (791)
CN41	36 35/64" (928)	36 1/2" (927)	CN39	35 13/64" (894)	35 5/32" (893)
CN49	44 35/64" (1132)	44 1/2" (1131)	CN47	43 13/64" (1097)	43 5/32" (1096)

NOTE: OM of aluminum screen includes corner keys.
Wood screen has no visible corner key.

NOTE: Screens feature plunger type mounting system.

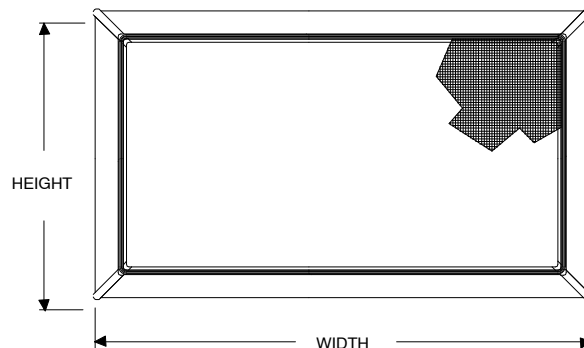
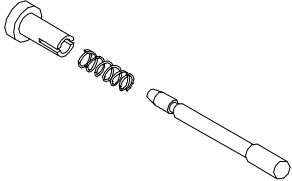

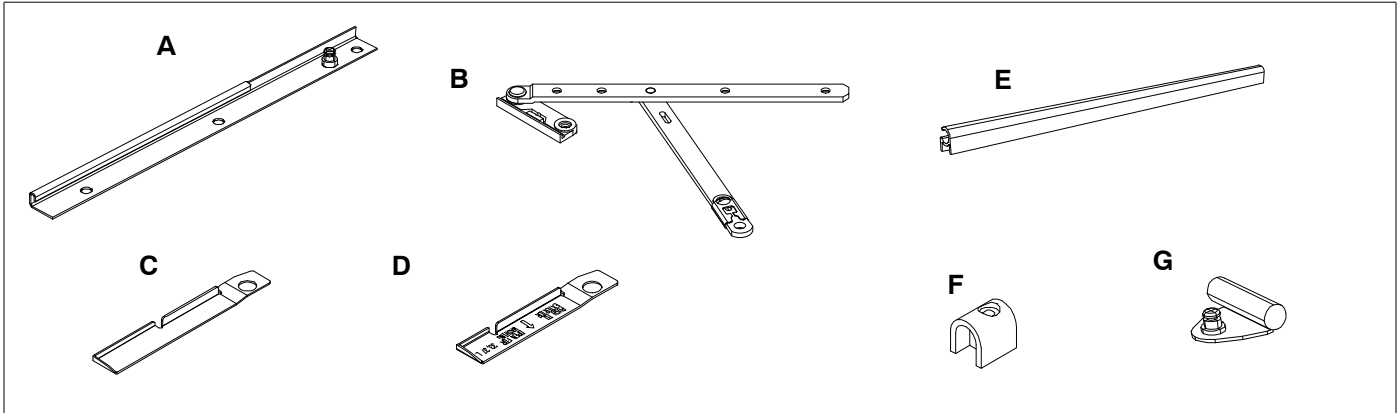


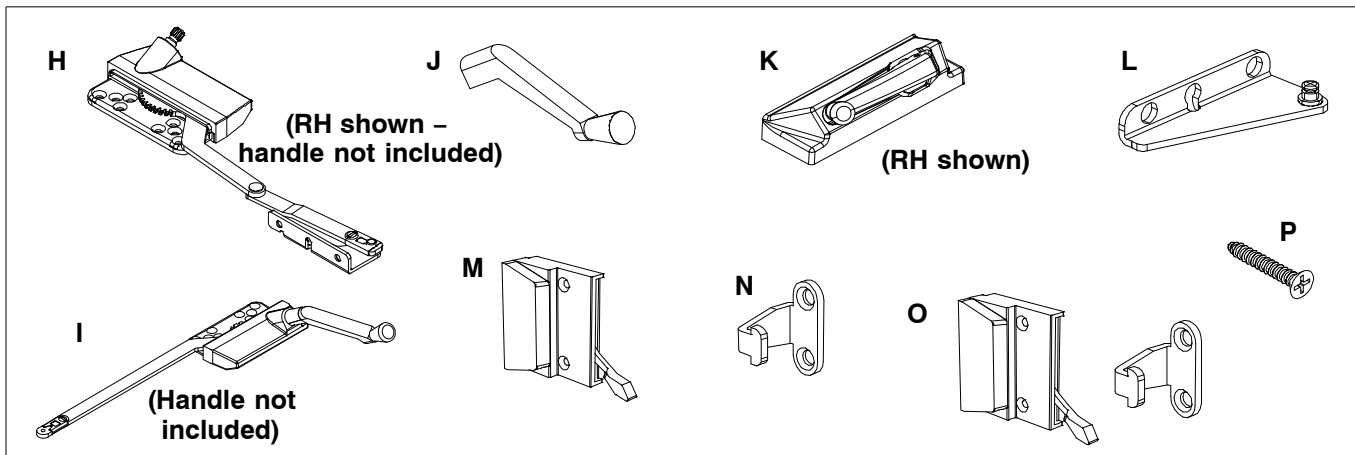
ILLUSTRATION NOT TO SCALE	DESCRIPTION	OPER./ COLOR	PART NO.
	<p>Plunger and Spring Assembly M060 <i>Includes:</i> 1 – Plunger bolt 1 – Plunger bolt cap 1 – Plunger bolt spring</p>	<p>Clear Cap Off White Bolt</p>	<p>11900896</p>
	<p>Screen Grommet</p>	<p>Beige Black White</p>	<p>05070412 05070413 05070414</p>

When ordering replacement parts specify:

1. Type of unit;
2. Part number;
3. Description;
4. Color.



Description	Part Number
A: Hinge Track w/screws – ELCA/ELAWN Usage: January 1994 to September 2007	LL-UR 10814760 UL-LR 10814761
B: CN 29 Hinge Arm Assembly – Egress w/screws – ELCA/ELAWN Usage: January 1994 to September 2007	LL-UR 10814758 UL-LR 10814759
C: CN 29 Egress Hinge Limiter – ELCA/ELAWN Usage: January 1994 to September 2007	LH 11040356 RH 11040355
D: CN 33/ CN37 Egress Hinge Limiter – ELCA/ELAWN Usage: January 1994 to September 2007	LH 11040395 RH 11040394
E: A241 Guide Bar – ELCA/ELAWN Usage January 1994 to September 2007	11100113
F: End Cap, Guide Bar – ELCA/ELAWN Usage January 1994 to September 2007	11867840
G: Slide Shoe Stud Bracket – ELCA/ELAWN Usage January 1994 to September 2007	10811431

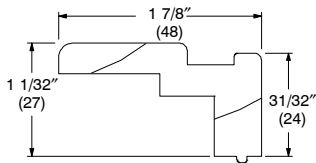


Description	Oper.	Color	Part Number
H: Split Arm Roto-gear Operator w/screws – ELCA Usage: January 1994 to September 2007 Handle not included	LH	Almond Frost	10815606
	RH	Almond Frost	10815607
	LH	White	10815612
	RH	White	10815613
I: Single Arm Roto-gear Operator (non-handed) – ELAWN Usage January 1994 to September 2007 Handle not included		Almond Frost	10815609
		White	10815615
J: Roto Gear Handle – ELCA/ELAWN Usage: January 1994 to September 2005		Almond Frost	10898233
		White	10898234
K: Folding Handle/Cover – ELCA/ELAWN Usage: September 2005 to September 2007 LH parts Not Applicable to Awning.	LH (ELCA only)	Almond Frost	10898236
	RH	Almond Frost	10898235
	LH (ELCA only)	White	10898238
	RH	White	10898237
L: Split Arm Stud Bracket w/screws – ELCA Usage: January 1994 to September 2007	LH		10815610
	RH		10815611
M: Sash Lock w/screws – ELCA/ELAWN Usage: January 1994 to September 2007		Almond Frost	10815608
		White	10815614
N: Keeper, Sash Lock w/screws Usage: January 1994 to September 2007		Beige	05590621
O: Sash Lock, Complete (Sash Lock, Keeper and screws) Usage: January 1994 to September 2007		Almond Frost	11869740
		White	11869741
P: Sash Lock Screws, Package of 50 Usage: January 1994 to September 2007		Almond Frost	11869742
		White	11869743

TO ORDER REPLACEMENT WOOD PARTS

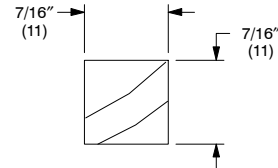
When ordering replacement wood parts specify:

1. Profile number;
2. Part number;
3. Length;
4. Handing (if applicable);
5. Bare wood or white interior.



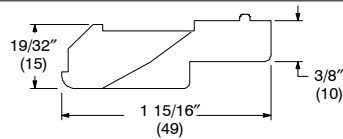
W7014 – Hardware Cover

NOTE: Handing is determined from the exterior



W6030 – Centering Block

Description		Bare Wood	White Interior
W7014 Hardware Cover (Stationary) – ELCA Usage: January 1994 to September 2007	CN 17, 12 39/64" (320)	33732117	39232117
	CN 21, 16 39/64" (422)	33732120	39232120
	CN 25, 20 39/64" (523)	33732124	39232124
	CN 29, 24 39/64" (625)	33732128	39232128
	CN 33, 28 39/64" (727)	33732132	39232132
	CN 37, 32 39/64" (828)	33732136	39232136
W7014 Hardware Cover (Stationary) – ELAWN Usage: January 1994 to September 2007	CN 21, 16 39/64" (422)	33732120	39232120
	CN 25, 20 39/64" (523)	33732124	39232124
	CN 29, 24 39/64" (625)	33732128	39232128
	CN 33, 28 39/64" (727)	33732132	39232132
	CN 37, 32 39/64" (828)	33732136	39232136
	CN 49, 44 39/64" (1133)	33732248	39232248
W7014 Hardware Cover (Picture) – ELCA Usage: January 1994 to September 2007	CN 49, 44 39/64" (1133)	33732248	39232248
	CN 57, 52 39/64" (1336)	33732256	39232256
	CN 73, 68 39/64" (1743)	33732173	39232173
W7014 Hardware Cover (Operator) – ELCA Usage: January 1994 to September 2007	CN 17, RH, 12 39/64" (320)	33732417	39232417
	CN 17, LH, 12 39/64" (320)	33732418	39232418
	CN 21 RH, 16 39/64" (422)	33732420	39232420
	CN 21 LH, 16 39/64" (422)	33732421	39232421
	CN 25 RH, 20 39/64" (523)	33732424	39232424
	CN 25 LH, 20 39/64" (523)	33732425	39232425
	CN 29 RH, 24 39/64" (625)	33732428	39232428
	CN 29 LH, 24 39/64" (625)	33732429	39232429
	CN 33 RH, 28 39/64" (727)	33732433	39232433
	CN 33 LH, 28 39/64" (727)	33732434	39232434
	CN 37 RH, 32 39/64" (828)	33732437	39232437
	CN 37 LH, 32 39/64" (828)	33732438	39232438
W7014 Hardware Cover (Operator) – ELAWN Usage: January 1994 to September 2007	CN 21, 12 39/64" (422)	33732120	39232120
	CN 25, 20 39/64" (523)	33732124	39232124
	CN 29, 24 39/64" (625)	33732128	39232128
	CN 33, 28 39/64" (727)	33732132	39232132
	CN 37, 32 39/64" (828)	33732136	39232136
	CN 49, 44 39/64" (1133)	33732248	39232248
W6030 Centering Block (Stationary/Picture) – ELCA Usage: January 1994 to September 2007	3" (76)	32570990	Not applicable



W7029 – Head Jamb and Side Jamb Stop

Description	Bare Wood	White Interior	
W7029 Head Jamb Stop Usage: January 1994 to September 2007 ELCA CN 17, 12 39/64" (320) ELCA/ELAWN CN 21, 16 39/64" (422) ELCA/ELAWN CN 25, 20 39/64" (523) ELCA/ELAWN CN 29, 24 39/64" (625) ELCA/ELAWN CN 33, 28 39/64" (727) ELCA/ELAWN CN 37, 32 39/64" (828) ELCA/ELAWN CN 49, 44 39/64" (1133) ELCA CN 57, 52 39/64" (1336) ELCA CN 73, 68 39/64" (1743)	33732017 33732020 33732024 33732028 33732032 33732036 33732048 33732056 33732073	39232017 39232020 39232024 39232028 39232032 39232036 39232048 39232056 39232073	
W7029 Jamb Stop – Camlock (Top) – ELCA Usage: January 1994 to September 2007	CN 31 – 71, 10 63/64" (279)	33731732 39231732	
W7029 Jamb Stop – Camlock (Center) – ELCA Usage: January 1994 to September 2007	CN 43, 13 7/64" (333) CN 47, 16 39/64" (422) CN 55, 24 39/64" (635) CN 59, 28 39/64" (736) CN 63, 32 39/64" (838) CN 71, 40 39/64" (1041)	33731616 33731848 33731856 33731860 33731864 33731872	39231616 39231848 39231856 39231860 39231864 39231872
W7029 Jamb Stop – Camlock (Bottom) – ELCA Usage: January 1994 to September 2007	CN 31, 14 3/4" (374) CN 35, 13 3/4" (476) CN 39, 22 3/4" (577) CN 43 – 71, 10 63/64" (279)	33731932 33731936 33731940 33731732	39231932 39231936 39231940 39231732
W7029 Jamb Stop – Hinge (Side/Stationary) – ELCA Usage: January 1994 to September 2007	CN 31, 28 31/64" (723) CN 35, 32 31/64" (825) CN 39, 36 31/64" (927) CN 43, 40 31/64" (1031) CN 47, 44 31/64" (1130) CN 55, 52 31/64" (1333) CN 59, 56 31/64" (1435) CN 63, 60 31/64" (1536) CN 71, 68 31/64" (1739)	33731632 33731636 33731640 33731644 33731648 33731656 33731660 33731664 33731672	39231632 39231636 39231640 39231644 39231648 39231656 39231660 39231664 39231672
W7029 Jamb Stop – Hinge Side / Stationary – ELAWN Usage: January 1994 to September 2007	CN 16, 13 7/64" (333) CN 19, 16 31/64" (419) CN 23, 20 31/64" (521) CN 27, 24 31/64" (622) CN 35, 32 31/64" (825) CN 39, 36 31/64" (927) CN 47, 44 31/64" (1130)	33731616 33731620 33731624 33731628 33731636 33731640 33731648	39231616 39231620 39231624 39231628 39231636 39231640 39231648
W7029 Jamb Stop – Lock Side – ELAWN Usage: January 1994 to September 2007	CN 19 Top, 7 47/64" (333) CN 23 Top, 11 47/64" (419) CN 27 Top, 15 47/64" (400) CN 35 Top, 23 27/64" (603) CN 39 Top, 27 47/64" (704) CN 47 Top, 35 47/64" (908) All Bottoms, 5 63/64" (521)	33731420 33731424 33731428 33731436 33731440 33731448 33731520	39231420 39231424 39231428 39231436 39231440 39231448 39231520