

# ELEVATE BOW AND BAY

## Table of Contents

History .....	2
Casement Bow/Bay Stationary .....	3
Casement 4 and 5 Wide Bow Jamb Detail .....	4
Casement 45° and 30° Bay Jamb Detail .....	5
Double Hung Bay Head Jamb and Sill Detail .....	6
Double Hung 30° and 45° Bay Jamb Detail .....	7
<b>Parts</b>	
Installation Accessories .....	8
Casement Mull Kits .....	9
Double Hung Mull Kits .....	13
Mull Kit Parts Wood .....	15
Mull Kit Parts Miscellaneous .....	18
Head and Seat Boards .....	23
Discontinued Parts – Limited Availability (LA) .....	25

### **ATTENTION:**

- Specification and technical data are subject to change without notice.
- Numbers listed in parentheses ( ) are metric equivalents in millimeters rounded to the nearest whole number.

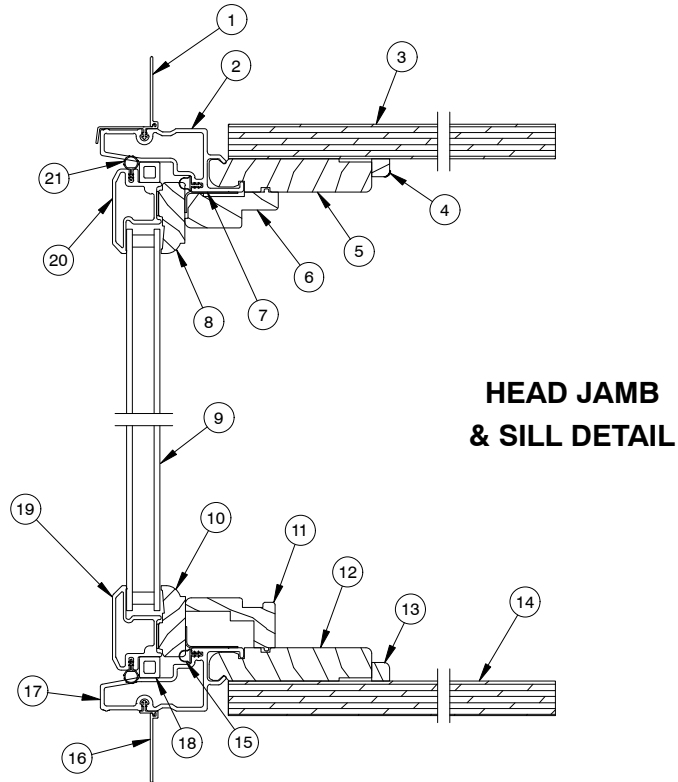
---

---

PRODUCED	UNIT TYPE	FEATURES OR CHANGES	STATUS
April 2000	Casement Bow	Added 5 wide mulling option in CN17, CN21 and CN25 widths available factory mulled.	Available
August 2012	All products	August 27, 2012: Casing Options and Ebony exteriors introduced.	Present

**CASEMENT  
BOW/BAY**

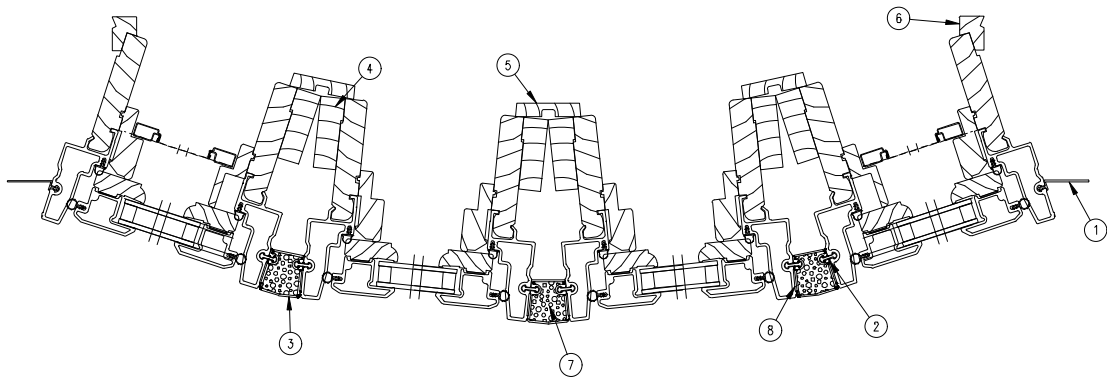
NOTE: Stationary unit shown



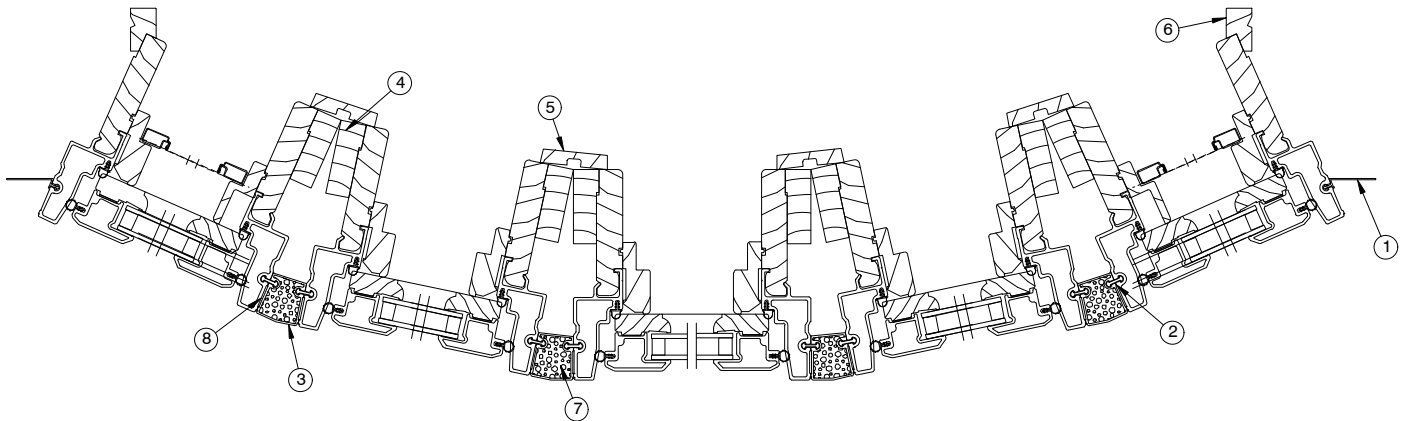
NOTE: Not to scale; specifications subject to change without notice.

- |                                   |                          |                          |
|-----------------------------------|--------------------------|--------------------------|
| 1. Head Jamb Nailing Fin/Drip Cap | 9. Insulating Glass      | 17. Sill Cladding        |
| 2. Head Jamb Cladding             | 10. Bottom Rail          | 18. Centering Block      |
| 3. Head Board                     | 11. Hardware Cover       | 19. Bottom Rail Cladding |
| 4. Top Interior Trim              | 12. Sill                 | 20. Top Rail Cladding    |
| 5. Head Jamb                      | 13. Bottom Interior Trim | 21. Sash Weather Strip   |
| 6. Head Jamb Stop                 | 14. Seat Board           |                          |
| 7. Stationary Bracket             | 15. Frame Weather Strip  |                          |
| 8. Top Rail                       | 16. Sill Nailing Fin     |                          |

**CASEMENT  
BOW**



**4 WIDE BOW JAMB DETAIL**



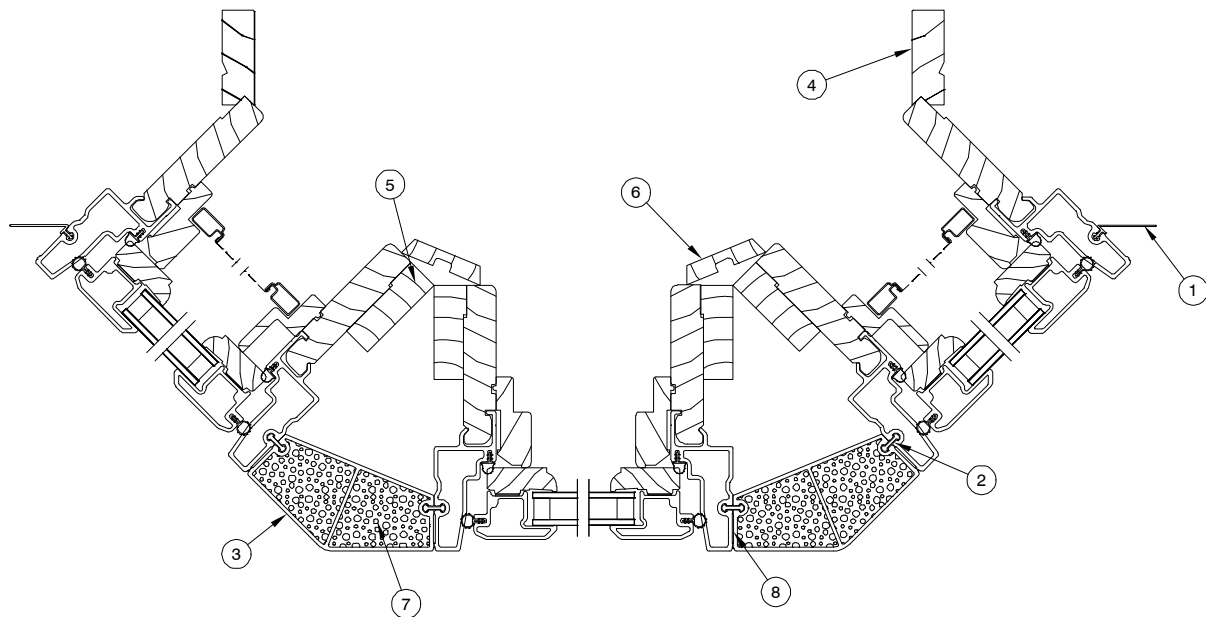
**5 WIDE BOW JAMB DETAIL**

**NOTE:** For more detail refer to previous part identification pages.

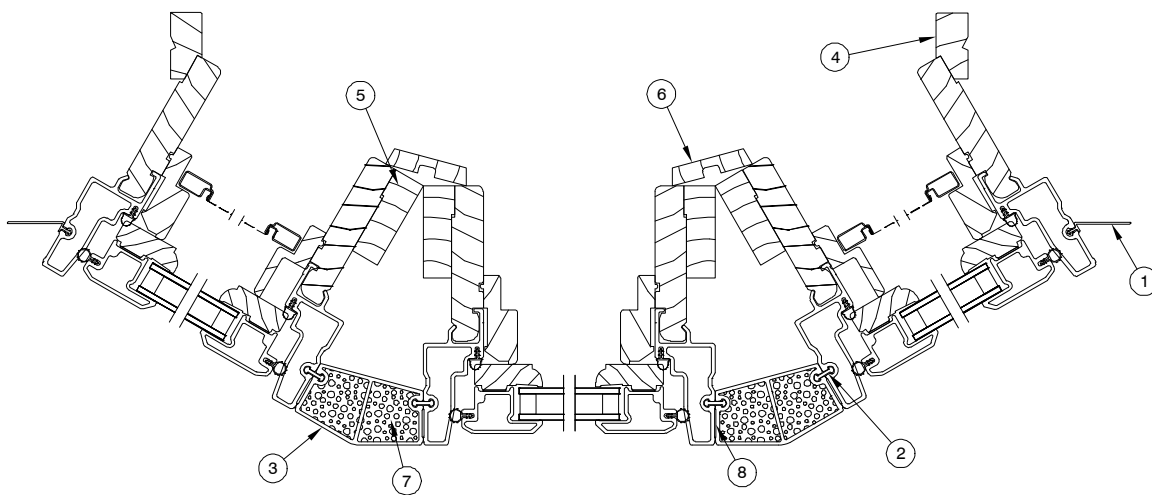
NOTE: Not to scale; specifications subject to change without notice.

1. Jamb Nailing Fin
2. Mulling Pin
3. Connecting Block
4. Mull Filler Block
5. Interior Mull Trim
6. Return Jamb
7. Connector Block (Foam Plug)
8. Mullion Tape

**CASEMENT  
BAY**



**45° BAY JAMB DETAIL**



**30° BAY JAMB DETAIL**

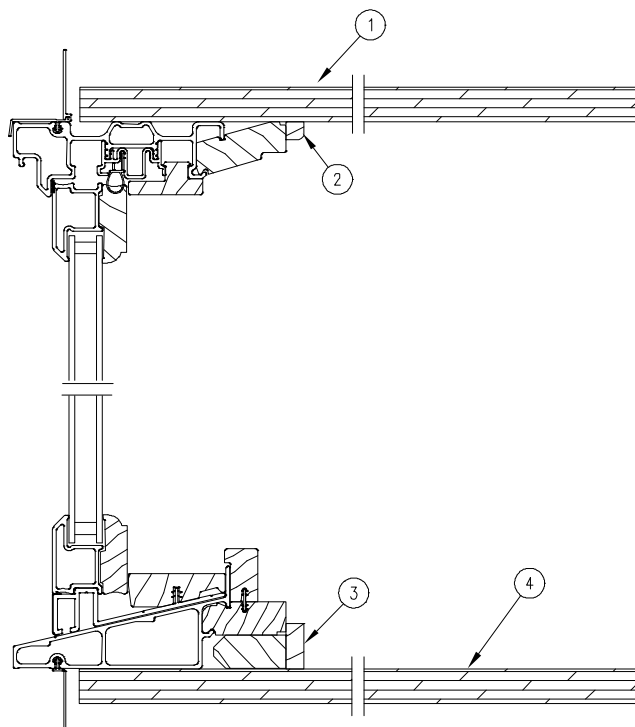
**NOTE: For more detail refer to previous part identification pages.**

NOTE: Not to scale; specifications subject to change without notice.

- 1. Jamb Nailing Fin
- 2. Mullion Pin
- 3. Connecting Block
- 4. Return Jamb
- 5. Mull Filler Block
- 6. Interior Mull Trim
- 7. Connector Block (Foam Plug)
- 8. Mullion Sealant Foam Tape

**DOUBLE HUNG BAY**

**HEAD JAMB  
& SILL DETAIL**

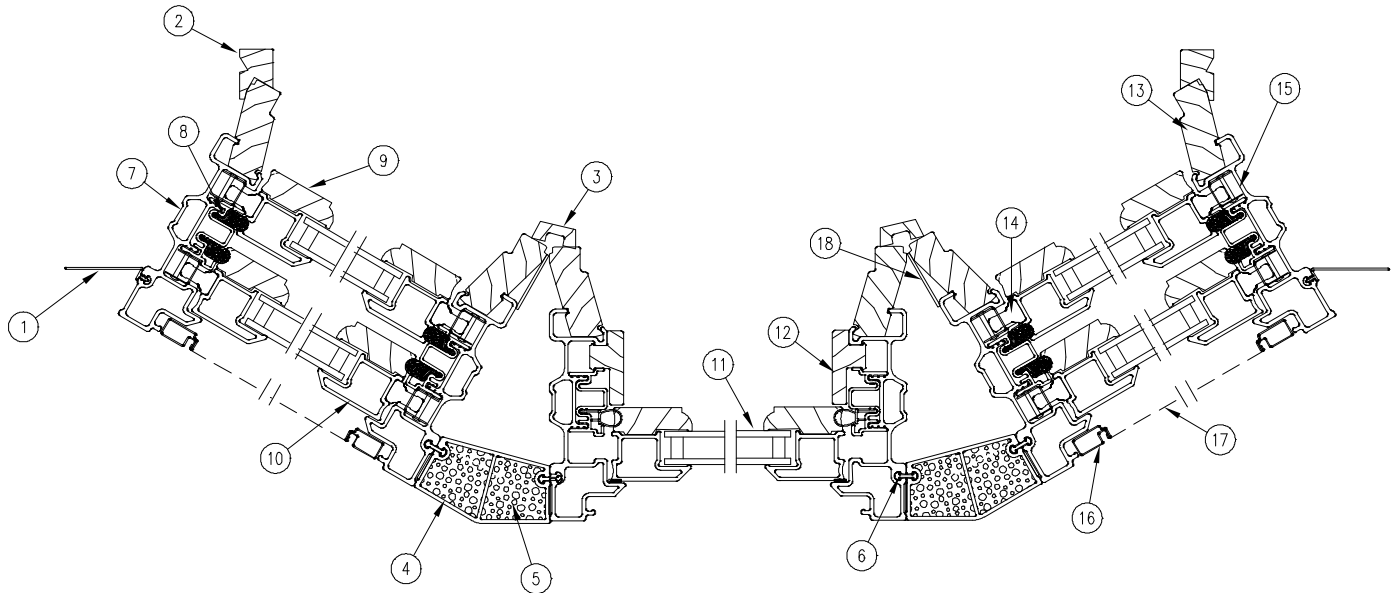


*NOTE: Picture unit shown*

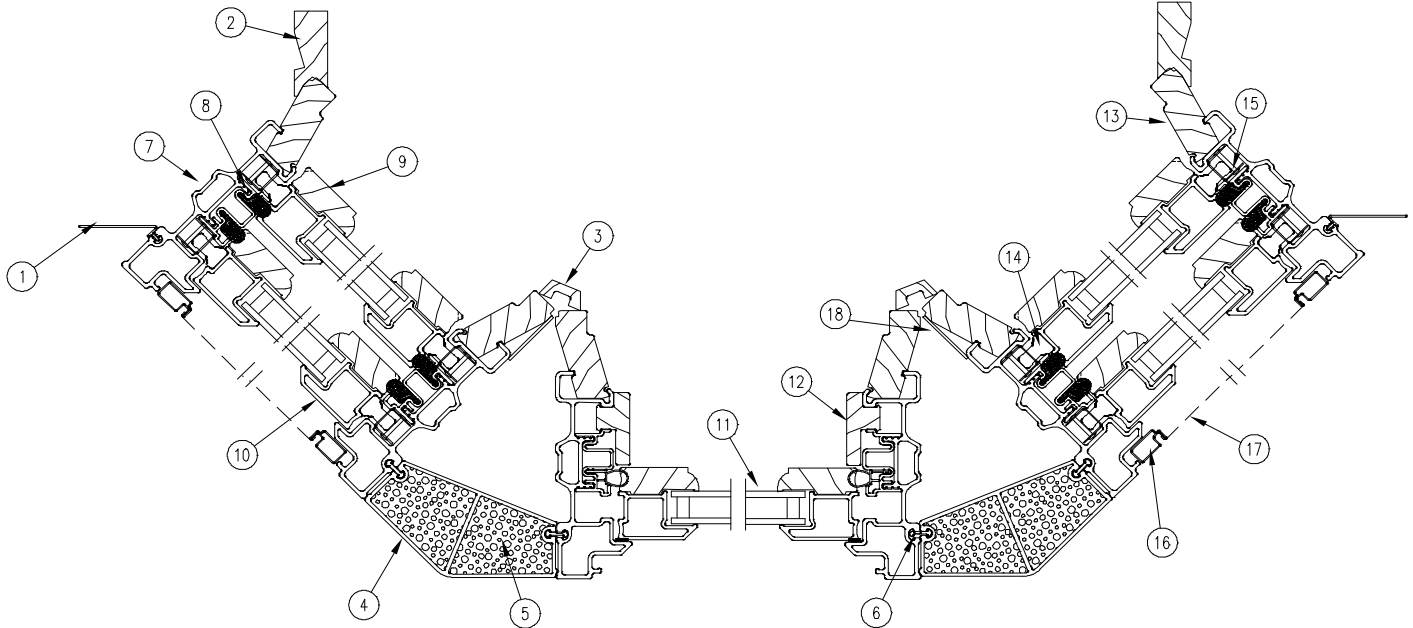
NOTE: Not to scale; specifications subject to change without notice.

- 1. Head Board
- 2. Top Interior Trim
- 3. Bottom Interior Trim
- 4. Seat Board

**DOUBLE HUNG BAY**



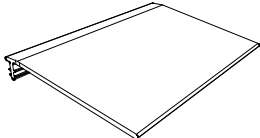
**30° BAY JAMB DETAIL**



**45° BAY JAMB DETAIL**

NOTE: Not to scale; specifications subject to change without notice.

- |                              |                        |                           |
|------------------------------|------------------------|---------------------------|
| 1. Jamb Nailing Fin          | 9. Stile               | 15. Balance Tube Assembly |
| 2. Jamb Extension            | 10. Stile (Ultrex)     | 16. Screen Frame          |
| 3. Interior Mull Trim        | 11. Insulating Glass   | 17. Screen                |
| 4. Connector Block           | 12. Jamb Interior Stop | 18. Jamb Filler           |
| 5. Foam Plug-Connector Block | 13. Jamb Liner         |                           |
| 6. Mulling Pin               | 14. Sash Pivot Pin     |                           |
| 7. Jamb (Ultrex)             |                        |                           |
| 8. Jamb Weather Strip        |                        |                           |

ILLUSTRATION <i>NOT TO SCALE</i>	DESCRIPTION	LENGTH/COLOR	PART NO.
	<b>Jamb/Sill Nailing Fin Bows and Bays - V112</b> <i>Note: For Bows and Bays only, hinged</i>	144" (3658)	16000598



Kit	Description	Size	Bare Wood	White	Designer Black	Clear
<b>Casement 30° Bay Mull Kit</b> <i>Includes:</i> 2–W1185 Vertical Trim 2–W7323 4 9/16 Jamb Extension 2–W7324 6 9/16 Jamb Extension 2–W2207 6 13/16 Jamb Extension 2–A168 30° Bay Connector Block 4–A330 Mulling Pin 6–W7002 Interior Trim 1–Mull Tape 1 sided 4–W7006 Jamb Filler 1–V119 Nailing Fin/Drip Cap 4–Nail Fin Connector 8– Foam Plug for 30° Connector Block	<b>4 9/16" Jamb Extension</b>					
	Stone White	CN 47	11894348	39264348	39934346	33834346
	Pebble		11897948	39267948	39934646	33834646
	Bronze		11898648	39268648	39934946	33834946
	Evergreen		11897648	39260048	39935246	33835246
	Cashmere		11897849	39260148	39935544	33835544
	Ebony		11897860	39267860	39935846	33835846
	Stone White	CN 71	11894371	39264371	39934373	33834373
	Pebble		11897971	39267971	39934673	33834673
	Bronze		11898271	39268271	39934973	33834973
	Evergreen		11898371	39268371	39935273	33835273
	Cashmere		11898471	39268471	39935573	33835573
	Ebony		11897863	39267863	39935873	33835873
	<b>6 9/16" Jamb Extension</b>					
	Stone White	CN 47	11894448	39264448	39934446	33834446
	Pebble		11898148	39268148	39934746	33834746
	Bronze		11899448	39269448	39935046	33835046
	Evergreen		11897748	39269548	39935346	33835346
	Cashmere		11897749	39269648	39935646	33835646
	Ebony		11897861	39267861	39935946	33835946
	Stone White	CN 71	11894471	39264471	39934473	33834473
	Pebble		11898171	39268171	39934773	33834773
	Bronze		11899771	39269771	39935073	33835073
	Evergreen		11898671	39260071	39935373	33835373
	Cashmere		11898571	39260171	39935673	33835673
	Ebony		11897864	39267864	39935973	33835973
	<b>6 13/16" Jamb Extension</b>					
Stone White	CN 47	11894548	39264548	39934544	33834544	
Pebble		11899249	39269249	39934846	33834846	
Bronze		11900249	39270249	39935146	33835146	
Evergreen		11901249	39270349	39935446	33835446	
Cashmere		11901251	39271149	39935746	33835746	
Ebony		11897862	39267862	39936046	33836046	
Stone White	CN 71	11894571	39264571	39934573	33834573	
Pebble		11899273	39269273	39934873	33834873	
Bronze		11900273	39270273	39935173	33835173	
Evergreen		11901173	39270373	39935473	33835473	
Cashmere		11901273	39271173	39935773	33835773	
Ebony		11897865	39267865	39936073	33836073	

Mullion Kits also include screws (where applicable), nailing fin/drip cap, corner gaskets and instructions.

Kit	Description	Size	Bare Wood	White	Designer Black	Clear
<b>Casement 45° Bay Mull Kit</b> <i>Includes:</i> 2–W1187 Vertical Trim 2–W8575 4 9/16 Jamb Extension 2–W8574 6 9/16 Jamb Extension 2–W2208 6 13/16 Jamb Extension 2–A167 45° Bay Connector Block 4–A330 Mullion Pin 4–W7002 Horizontal Trim 1–Mull Tape 1 sided 4–Nail Fin Connector 4–W7006 Horizontal Mull Filler Block 1–V119 Nailing Fin/Drip Cap 8–Foam Plug for 45° Connector Block	<b>4 9/16" Jamb Extension</b>					
	Stone White	CN 47	11895047	39265047	39935050	33835050
	Pebble		11899247	39269247	39935350	33835350
	Bronze		11900247	39270247	39935650	33835650
	Evergreen		11900147	39270347	39935950	33835950
	Cashmere		11900349	39271147	39936250	33836250
	Ebony		11900360	39270360	39936550	33836550
	Stone White	CN 71	11895071	39265071	39935051	33835051
	Pebble		11899271	39269271	39935351	33835351
	Bronze		11900271	39270271	39935651	33835651
	Evergreen		11900371	39270371	39935951	33835951
	Cashmere		11900569	39271171	39936251	33836251
	Ebony		11900363	39270363	39936551	33836551
	<b>6 9/16" Jamb Extension</b>					
	Stone White	CN 47	11895147	39265147	39935150	33835150
	Pebble		11899447	39269447	39935450	33835450
	Bronze		11900447	39270447	39935750	33835750
	Evergreen		11900347	39270547	39936050	33836050
	Cashmere		11900551	39271247	39936350	33836350
	Ebony		11900361	39270361	39936650	33836650
	Stone White	CN 71	11895171	39265171	39935151	33835151
	Pebble		11899471	39269471	39935451	33835451
	Bronze		11900471	39270471	39935751	33835751
	Evergreen		11900571	39270571	39936051	33836051
	Cashmere		11900578	39271271	39936351	33836351
	Ebony		11900364	39270364	39936651	33836651
	<b>6 13/16" Jamb Extension</b>					
	Stone White	CN 47	11895247	39265247	39935250	33835250
	Pebble		11899647	39269647	39935550	33835550
	Bronze		11900647	39270647	39935850	33835850
	Evergreen		11900648	39270747	39936150	33836150
	Cashmere		11900649	39271248	39936450	33836450
	Ebony		11900362	39270362	39936750	33836750
Stone White	CN 71	11895271	39265271	39935251	33835251	
Pebble		11899671	39269671	39935551	33835551	
Bronze		11900671	39270671	39935851	33835851	
Evergreen		11900771	39270771	39936151	33836151	
Cashmere		11900772	39271272	39936451	33836451	
Ebony		11900365	39270365	39936751	33836751	

Mullion Kits also include screws (where applicable), nailing fin/drip cap, corner gaskets and instructions.

Kit	Description	Size	Bare Wood	White	Designer Black	Clear
<b>Casement 12° 4-Wide Bow Mull Kit</b> <i>Includes:</i> 3-W1189-1733 Vertical Trim 2-W7311 4 9/16 Jamb Extension 2-W7304 6 9/16 Jamb Extension 2-W2211 6 13/16 Jamb Extension 3-A166 12° Bow Connector Block 6-A330 Mullion Pin 8-W7002 Horizontal Trim 1-Mull Tape 1 sided 6-W7006 Horizontal Mull Filler Block 1-V119 Nailing Fin/Drip Cap 4-Nail Fin Connector 6-Foam plug for 12° Connector Block	<b>4 9/16" Jamb Extension</b>					
	Stone White	CN 47	11894647	39264647	39934647	33834647
	Pebble		11898847	39268847	39934947	33834947
	Bronze		11899747	39269747	39935247	33835247
	Evergreen		11895347	39260047	39935547	33835547
	Cashmere		11895749	39260147	39935847	33835847
	Ebony		11895760	39275760	39936147	33836147
	Stone White	CN 71	11894671	39264671	39934670	33834670
	Pebble		11898871	39268871	39934970	33834970
	Bronze		11890871	39269871	39935270	33835270
	Evergreen		11890971	39269974	39935570	33835570
	Cashmere		11890972	39260274	39935870	33835870
	Ebony		11895763	39275763	39936170	33836170
	<b>6 9/16" Jamb Extension</b>					
	Stone White	CN 47	11894747	39264747	39934747	33834747
	Pebble		11899047	39269047	39935047	33835047
	Bronze		11900047	39270047	39935347	33835347
	Evergreen		11900747	39270147	39935647	33835647
	Cashmere		11900748	39270847	39935947	33835947
	Ebony		11895761	39275761	39936247	33836247
	Stone White	CN 71	11894771	39264771	39934770	33834770
	Pebble		11899071	39269071	39935070	33835070
	Bronze		11900171	39270071	39935370	33835370
	Evergreen		11900871	39270171	39935670	33835670
	Cashmere		11900872	39270871	39935970	33835970
	Ebony		11895764	39275764	39936270	33836270
	<b>6 13/16" Jamb Extension</b>					
	Stone White	CN 47	11894847	39264847	39934847	33834847
	Pebble		11899947	39269947	39935147	33835147
	Bronze		11900947	39270947	39935447	33835447
	Evergreen		11900847	39271047	39935747	33835747
	Cashmere		11900848	39271447	39936047	33836047
	Ebony		11895762	39275762	39936347	33836347
Stone White	CN 71	11894871	39264871	39934870	33834870	
Pebble		11899971	39269971	39935170	33835170	
Bronze		11900971	39270971	39935470	33835470	
Evergreen		11901071	39271071	39935770	33835770	
Cashmere		11901171	39271471	39936070	33836070	
Ebony		11895765	39275765	39936370	33836370	

Mullion Kits also include screws (where applicable), nailing fin/drip cap, corner gaskets and instructions.

Kit	Description	Size	Bare Wood	White	Designer Black	Clear
<b>Casement 12° 5–Wide Bow Mull Kit</b> <i>Includes:</i> 4–W1189–1733 Vertical Trim 2–W2138 4 9/16 Jamb Extension 2–W2141 6 9/16 Jamb Extension 2–W2209 6 13/16 Jamb Extension 4–A166 12° Bay Connector Block 8–A330 Mullion Pin 10–W7002 Horizontal Trim 1–Mull Tape 1 sided 8–W7006 Horizontal Mull Filler Block 1–V119 Nailing Fin/Drip Cap 8–Nail Fin Connector 8–Foam plug for 12° Connector Block	<b>4 9/16" Jamb Extension</b>					
	Stone White	CN 47	11894648	39264648	39934649	33834649
	Pebble		11898848	39268848	39934949	33834949
	Bronze		11899948	39269848	39935249	33835249
	Evergreen		11895248	39269948	39935545	33835545
	Cashmere		11895649	39260248	39935849	33835849
	Ebony		11895660	39265660	39936149	33836149
	Stone White	CN 71	11894672	39264672	39934669	33834669
	Pebble		11898872	39268872	39934969	33834969
	Bronze		11899972	39269872	39935269	33835269
	Evergreen		11894972	39269972	39935569	33835569
	Cashmere		11895072	39260272	39935869	33835869
	Ebony		11895663	39265663	39936169	33836169
	<b>6 9/16" Jamb Extension</b>					
	Stone White	CN 47	11894748	39264748	39934749	33834749
	Pebble		11899048	39269048	39935049	33835049
	Bronze		11900048	39270048	39935349	33835349
	Evergreen		11900248	39270148	39935649	33835649
	Cashmere		11900348	39270848	39935949	33835949
	Ebony		11895661	39265661	39936249	33836249
	Stone White	CN 71	11894772	39264772	39934759	33834769
	Pebble		11899072	39269072	39935069	33835069
	Bronze		11900172	39270072	39935369	33835369
Evergreen	11900272		39270172	39935669	33835669	
Cashmere	11900372		39270872	39935969	33835969	
Ebony	11895664		39265664	39936269	33836269	
<b>6 13/16" Jamb Extension</b>						
Stone White	CN 47	11894848	39264848	39934849	33834849	
Pebble		11899949	39269949	39935149	33835149	
Bronze		11900049	39270949	39935449	33835449	
Evergreen		11901049	39271049	39935749	33835749	
Cashmere		11901159	39271449	39936049	33836049	
Ebony		11895662	39265662	39936349	33836349	
Stone White	CN 71	11894872	39264872	39934869	33834869	
Pebble		11899973	39269973	39935169	33835169	
Bronze		11900973	39270973	39935469	33835469	
Evergreen		11901073	39271073	39935769	33835769	
Cashmere		11901072	39271473	39936069	33836069	
Ebony		11895665	39265665	39936369	33836369	

Mullion Kits also include screws (where applicable), nailing fin/drip cap, corner gaskets and instructions.

Kit	Description	Size	Bare Wood	White	Designer Black	Clear
<b>Double Hung 30° Bay Mull Kit</b> <i>Includes:</i> 3–W7002 Interior Top Trim 3–W6110 Interior Sill Trim 2–W1174 30° Bay Vertical Interior Trim 2–W9075 4 9/16 Return Jamb Extension 2–W9072 6 9/16 Return Jamb Extension 2–W9077 6 13/16 Return Jamb Extension 2–A168 30° Bay Connector Block 4–A330 Mullion Pin 1–V119 Nailing Fin/Drip Cap 3–V112 Nail Fin 8–Foam plug for 30° Connector Block 1–Wood Filler (RT Bending Stock)	<b>4 9/16" Jamb Extension</b>					
	Stone White	CN 48	11893248	39213248	39933248	33833248
	Pebble		11893548	39213548	39933548	33833548
	Bronze		11894549	39214548	39934548	33834548
	Evergreen		11895148	39214848	39934848	33834848
	Cashmere		11895549	39215448	39935448	33835448
	Ebony		11895577	39215556	39935546	33835546
	Stone White	CN 76	11895676	39265676	39935677	33835677
	Pebble		11898376	39268376	39938377	33838377
	Bronze		11897376	39267376	39937377	33837377
	Evergreen		11897476	39267476	39937677	33837677
	Cashmere		11897776	39267576	39937977	33837977
	Ebony		11895580	39215580	39938370	33838370
	<b>6 9/16" Jamb Extension</b>					
	Stone White	CN 48	11893348	39213348	39933348	33833348
	Pebble		11893648	39213648	39933648	33833648
	Bronze		11894248	39214648	39934648	33834648
	Evergreen		11893848	39214948	39934948	33834948
	Cashmere		11893849	39215548	39935548	33835548
	Ebony		11895578	39215558	39935549	33835549
	Stone White	CN 76	11895776	39265776	39935777	33835777
	Pebble		11898576	39268576	39938477	33838477
	Bronze		11899576	39269776	39937477	33837477
	Evergreen		11897576	39269876	39937777	33837777
	Cashmere		11897879	39269976	39938077	33838077
	Ebony		11895581	39215581	39938371	33838371
	<b>6 13/16" Jamb Extension</b>					
Stone White	CN 48	11893448	39213448	39933449	33833449	
Pebble		11893748	39213748	39933748	33833748	
Bronze		11894948	39214748	39934748	33834748	
Evergreen		11895048	39215048	39935048	33835048	
Cashmere		11895449	39215648	39935648	33835648	
Ebony		11895579	39215559	39935559	33835559	
Stone White	CN 76	11895876	39265876	39935877	33835877	
Pebble		11899276	39269276	39938577	33838577	
Bronze		11900376	39270376	39937577	33837577	
Evergreen		11900476	39270476	39937877	33837877	
Cashmere		11900579	39271176	39938287	33838376	
Ebony		11895582	39215582	39938372	33838372	

Mullion Kits also include screws (where applicable), nailing fin/drip cap, corner gaskets and instructions.

Kit	Description	Size	Bare Wood	White	Designer Black	Clear
<b>Double Hung 45° Bay Mull Kit</b> <i>Includes:</i> 3–W7002 Interior Top Trim 3–W6110 Interior Sill Trim 2–W1244 45° Bay Vertical Interior Trim 2–W9076 4 9/16 Return Jamb Extension 2–W9074 6 9/16 Return Jamb Extension 2–W9078 6 13/16 Return Jamb Extension 2–A167 45° Bay Connector Block 4–A330 Mullion Pin 1–V119 Nailing Fin/Drip Cap 3–V112 Nail Fin 8–Foam Plug for 45° Connector Block 1–Wood Filler (RT Bending Stock)	<b>4 9/16" Jamb Extension</b>					
	Stone White	CN 48	11892648	39212648	39932648	33832649
	Pebble		11892948	39212948	39932948	33832948
	Bronze		11893948	39213948	39933249	33833249
	Evergreen		11892448	39214248	39933549	33833549
	Cashmere		11892449	39215148	39933849	33833849
	Ebony		11892360	39212360	39934160	33834160
	Stone White	CN 76	11895376	39255376	39935375	33835375
	Pebble		11899876	39255676	39935675	33835675
	Bronze		11900676	39256676	39935975	33835975
	Evergreen		11900276	39256976	39936275	33836275
	Cashmere		11900277	39257276	39936575	33836575
	Ebony		11892364	39212364	39936875	33836875
	<b>6 9/16" Jamb Extension</b>					
	Stone White	CN 48	11892748	39212748	39932746	33832748
	Pebble		11893048	39213048	39933048	33833048
	Bronze		11894048	39214048	39933349	33833349
	Evergreen		11892548	39214348	39933649	33833649
	Cashmere		11892949	39215248	39933949	33833949
	Ebony		11892361	39212361	39934261	33834261
	Stone White	CN 76	11895476	39255476	39935475	33835475
	Pebble		11899676	39255876	39935775	33835775
	Bronze		11900876	39256876	39936075	33836075
	Evergreen		11900976	39257076	39936375	33836375
	Cashmere		11900977	39257376	39936675	33836675
	Ebony		11892365	39212365	39936975	33836975
	<b>6 13/16" Jamb Extension</b>					
	Stone White	CN 48	11892848	39212848	39932848	33832848
Pebble	11893148		39213148	39933149	33833149	
Bronze	11894148		39214148	39933446	33833446	
Evergreen	11892348		39214448	39933749	33833749	
Cashmere	11892349		39215348	39934049	33834049	
Ebony	11892363		39212363	39934362	33834362	
Stone White	CN 76	11895576	39255576	39935575	33835575	
Pebble		11896176	39255176	39935875	33835875	
Bronze		11897176	39256176	39936175	33836175	
Evergreen		11897276	39257176	39936475	33836475	
Cashmere		11897676	39257476	39936775	33836775	
Ebony		11892366	39212366	39937075	33837075	

Mullion Kits also include screws (where applicable), nailing fin/drip cap, corner gaskets and instructions.

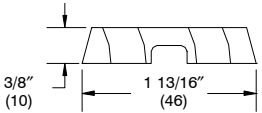
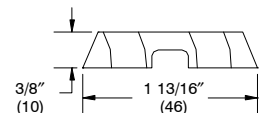

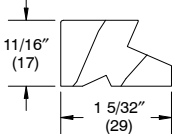
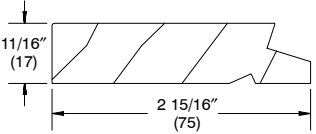
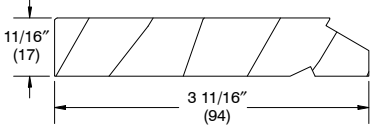
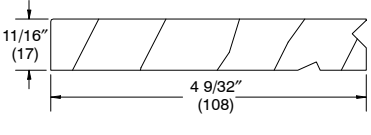
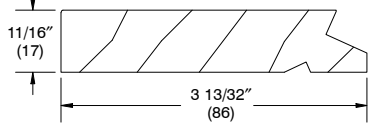
Illustration <i>NOT TO SCALE</i>	Description	Bare Wood	White	Designer Black	Clear
	<b>ELCA 30° Bay Interior Trim – Vertical</b> W1185 CN 71 – 70 3/4" (1797) Lineal – 96" (2438)	33734471 33734496	39234471 39234496	39934371 39934396	33834371 33834396
	<b>ELCA 45° Bay Interior Trim – Vertical</b> W1187 CN 71 – 70 3/4" (1797) Lineal – 96" (2430)	33733871 32213596	39233871 39233896	39933871 39933896	33833871 33833896
	<b>ELCA 12° Bow Interior Trim – Vertical</b> W1189-1733 CN 71 – 70 3/16" (1783) Lineal – 96" (2438)	33733971 33733996	39233971 39233996	39930071 39930096	33830071 33830096
	<b>ELCA 12° 5W Bow Return Jamb Extension 4 9/16"</b> W2138 CN 71 – 69 29/32" (1176) Lineal – 96" (2438)	33734771 33734796	39234771 39234796	39934771 39934796	33834771 33834796
	<b>ELCA 12° 5W Bow Return Jamb Extension 6 9/16"</b> W2141 CN 71 – 69 29/32" (1176) Lineal – 96" (2438)	33734871 33734896	39234871 39234896	39934871 39934896	33834871 33834896
	<b>ELCA 30° Bay Return Jamb Extension – 6 13/16"</b> W2207 CN 71 – 70 3/8" (1788) Lineal – 96" (2438)	33744071 33744096	39235071 39235096	39935071 39935096	33835071 33835096
	<b>ELCA 45° Bay Return Jamb Extension – 6 13/16"</b> W2208 CN 71 – 70 5/32" (1782) Lineal – 96" (2438)	33744471 33744496	39244471 39244496	39934471 39934496	33834471 33834496
	<b>ELCA 12° 5W Bow Return Jamb Extension 6 13/16"</b> W2209 CN 71 – 69 29/32" (1176) Lineal – 96" (2438)	33743671 33743696	39234971 39234996	39934971 39934996	33834971 33834996

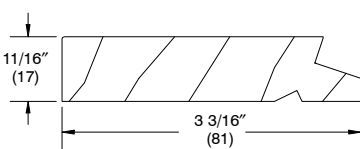
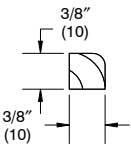
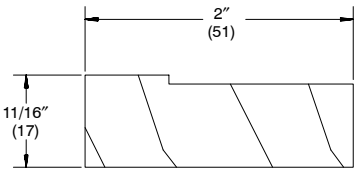
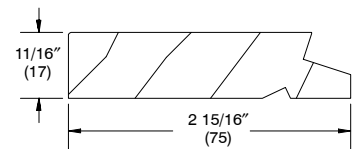
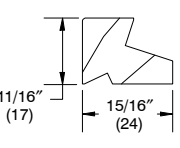
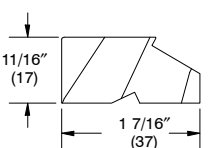
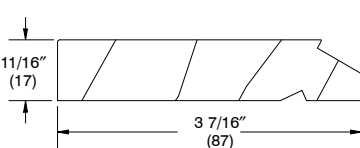
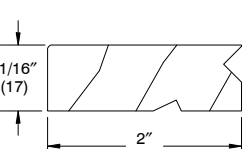
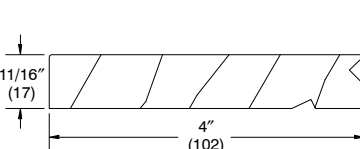
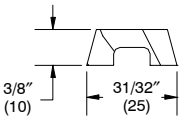
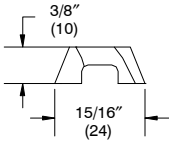
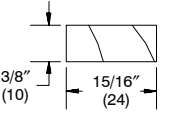
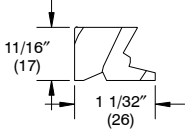
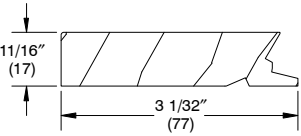
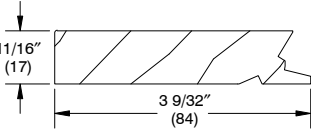
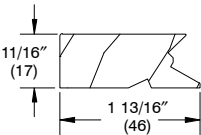
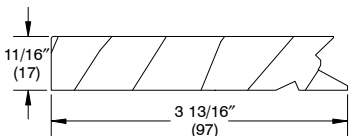
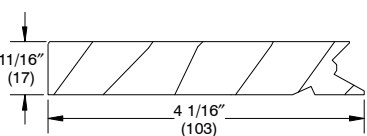
Illustration <i>NOT TO SCALE</i>	Description	Bare Wood	White	Designer Black	Clear
	<b>ELCA 12° 4W Bow Return Jamb Extension – 6 13/16"</b> W2211 CN 71 – 70 1/2" (1791) Lineal – 96" (2438)	33733771 33733796	39243671 39243696	39933671 39933696	33833671 33833696
	<b>Horizontal Interior Trim</b> W7002 <i>NOTE: For Bow and Bay Mull Kits</i> 80" (2032)	33732780	39232780	39932780	33833780
	<b>ELCA Bow/Bay Mull Filler</b> W7006 CN 71 – 69 7/8" (1175) Lineal – 96" (2438)	33732771 33732799			
	<b>ELCA 12° 4W Bow Return Jamb Extension – 6 9/16"</b> W7304 CN 71 – 70 1/2" (1791) Lineal – 96" (2438)	33733671 33733696	39233671 39233696	39933771 39933796	33833771 33833796
	<b>ELCA 12° 4W Bow Return Jamb Extension – 4 9/16"</b> W7311 CN 71 – 70 1/2" (1791) Lineal – 96" (2438)	33733571 33733596	39233571 39233596	39933571 39933596	33833571 33833596
	<b>ELCA 30° Bay Return Jamb Extension – 4 9/16"</b> W7323 CN 71 – 69 7/8" (1175) Lineal – 96" (2438)	33734071 33734096	39234071 39234096	39934071 39934096	33834171 33834196
	<b>ELCA 30° Bay Return Jamb Extension – 6 9/16"</b> W7324 CN 71 – 70 3/8" (1788) Lineal – 96" (2438)	33734171 33734196	39234171 39234196	39934171 39934196	33834271 33834296
	<b>ELCA 45° Bay Return Jamb Extension – 4 9/16"</b> W8575 CN 71 – 70 5/32" (1782) Lineal – 96" (2438)	33734971 33734996	39244971 39244996	39935971 39935996	33835971 33835996
	<b>ELCA 45° Bay Return Jamb Extension – 6 9/16"</b> W8574 CN 71 – 70 5/32" (1782) Lineal – 96" (2438)	33735071 33735096	39245071 39245096	39935171 39935196	33835171 33835196



Illustration <i>NOT TO SCALE</i>	Description	Bare Wood	White	Designer Black	Clear
	<b>ELDH 30° Bay Interior Trim – Vertical</b> W1174 CN76 – 75 3/4" (1924) Lineal – 96" (2438)	33734576 33734596	39234576 39234596	39934576 39934596	33834576 33834596
	<b>ELDH 45° Bay Interior Trim – Vertical</b> W1244 CN76 – 75 3/4" (1924) Lineal – 96" (2438)	33733276 33733296	39233276 39233296	39933276 39933296	33833276 33833296
	<b>ELDH Interior Trim – Sill</b> W6110 80" (2032)	32214480	39214480	39934480	33834480
	<b>ELDH 30° Bay Jamb Extension – 4 9/16"</b> W9075 CN 71 – 70 5/32" (1782) Lineal – 96" (2438)	31517076 31517099	39235476 39235499	39935476 39935499	33835476 33835499
	<b>ELDH 30° Bay Jamb Extension – 6 9/16"</b> W9072 CN 71 – 70 5/32" (1782) Lineal – 96" (2438)	31517276 31517299	39235676 39235699	39935676 39935699	33835676 33835699
	<b>ELDH 30° Bay Jamb Extension – 6 13/16"</b> W9077 CN 71 – 70 5/32" (1782) Lineal – 96" (2438)	31516876 31516899	39235276 39235299	39935276 39935299	33835276 33835299
	<b>ELDH 45° Bay Jamb Extension – 4 9/16"</b> W9076 CN 71 – 70 5/32" (1782) Lineal – 96" (2438)	31516976 31516999	39235376 39235399	39935376 39935399	33835376 33835399
	<b>ELDH 45° Bay Jamb Extension – 6 9/16"</b> W9074 CN 71 – 70 5/32" (1782) Lineal – 96" (2438)	31517176 31517199	39235576 39235599	39935576 39935599	33835576 33835599
	<b>ELDH 45° Bay Jamb Extension – 6 13/16"</b> W9078 CN 71 – 70 5/32" (1782) Lineal – 96" (2438)	31516776 31516799	39235176 39235199	39935176 39935199	33835176 33835199

When ordering replacement mull kit components specify:

1. Part Number;
2. Description;
3. Profile.

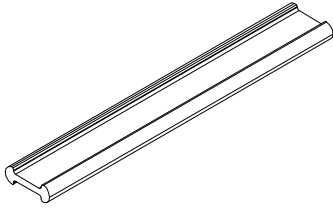
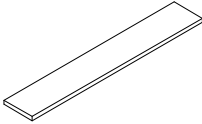
ILLUSTRATION <i>NOT TO SCALE</i>	DESCRIPTION	LENGTH / COLOR	PART NO.
	<b>Mullion Pin</b> A330 <b>ELCA/ELAWN</b>	CN 47      46 5/8" (1184) CN 71      70 5/8" (1794)	15344348 15344372
	<b>ELDH/ELGL</b>	CN 48      47" (1194) CN 72      71" (1803)	15344148 15344172
	<b>Lineal</b>	150" (3810)	11103250
	<b>Mull Tape – 1 Sided Adhesive</b> 3/32" x 1/2"	96" (2438) 100' (30 meters)	11869508 11406224

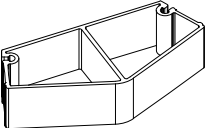
ILLUSTRATION NOT TO SCALE	DESCRIPTION	CN	COLOR	PART NO.
	<b>30° Bay Connector</b> A168			
	<b>ELCA</b>			
	47 1/8" (1197)	CN47	Stone White Pebble Bronze Evergreen Cashmere Ebony	19613247 18613347 19614247 19614347 19614447 19617647
	71 1/8" (1807)	CN71	Stone White Pebble Bronze Evergreen Cashmere Ebony	19613271 18613371 19614271 19614371 19614471 19617671
	<b>ELDH</b>			
	47 3/4" (1213)	CN48	Stone White Pebble Bronze Evergreen Cashmere Ebony	19613448 18613548 19614448 19614548 19614648 19617648
	75 3/4" (1924)	CN76	Stone White Pebble Bronze Evergreen Cashmere Ebony	NA 18613576 19614476 19614576 19614676 19617676
	<b>Lineal</b>			
	150" (3810)		Stone White Pebble Bronze Evergreen Cashmere Ebony	19613199 18613899 18614399 19614499 19614599 19614999

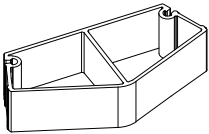
ILLUSTRATION NOT TO SCALE	DESCRIPTION	CN	COLOR	PART NO.
	<b>45° Bay Connector</b> A167			
	<b>ELCA</b>			
	47 1/8" (1197)	CN47	Stone White Pebble Bronze Evergreen Cashmere Ebony	19611702 18611802 19612702 19613702 19613802 19617647
	71 1/8" (1807)	CN71	Stone White Pebble Bronze Evergreen Cashmere Ebony	19611706 18611806 19612706 19613706 19613806 19614906
	<b>ELDH</b>			
	47 3/4" (1213)	CN48	Stone White Pebble Bronze Evergreen Cashmere Ebony	19611711 18611811 19612711 19612811 19612911 19613111
	75 3/4" (1924)	CN76	Stone White Pebble Bronze Evergreen Cashmere Ebony	19611718 18611818 19612718 19612818 19612918 19613118
	<b>Lineal</b>			
	150" (3810)		Stone White Pebble Bronze Evergreen Cashmere Ebony	19611699 18611799 19614199 19614299 19614699 19614899

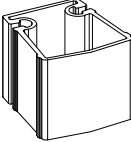




ILLUSTRATION NOT TO SCALE	DESCRIPTION	CN	COLOR	PART NO.
	<b>12° Bow Connector</b> A166			
	<b>ELCA</b>			
	47 1/8" (1197)	CN47	Stone White Pebble Bronze Evergreen Cashmere Ebony	19611902 18612002 18613002 19613002 19613102 19613302
	71 1/8" (1807)	CN71	Stone White Pebble Bronze Evergreen Cashmere Ebony	19611906 18612006 18613006 19613006 19613106 19613306
	<b>Lineal</b>			
	120" (3048)		Stone White Pebble Bronze Evergreen Cashmere Ebony	19611898 18611998 19612899 19612999 19613299 19613799

ILLUSTRATION <i>NOT TO SCALE</i>	DESCRIPTION	LENGTH / COLOR	PART NO.
	<b>30° Bay Foam Connector Block</b> <i>NOTE: 4 needed per unit</i>	White	10500108
	<b>45° Bay Foam Connector Block</b> <i>NOTE: 4 needed per unit</i>	White	10500106
	<b>12° Bow Foam Connector Block</b> <i>NOTE: 6 needed per 4 wide unit, 8 needed per 5 wide unit</i>	White	10500105
	<b>Nailing Fin Connector</b>	White	10500213

### ORDERING HEAD AND SEAT BOARD BLANKS

When ordering head and seat board blanks specify:

1. Description;
2. Board Size;
3. CN Width;
4. Part Number;
5. Bare wood or interior

**NOTE:** Listed below are the available stock sizes of head and seat board blanks. Find the board size based on CN width. Construction is exterior grade 3/4" plywood with clear pine veneer finish and interior edge. Head and seat boards listed will accommodate 4 9/16" or 6 9/16" jamb extensions only. **Numbers listed below are for one blank only.**

Board Size	Bare Wood	White	Designer Black	Clear	Board Size	Bare Wood	White	Designer Black	Clear
16x80	18218203	39218203	39938203	33838203	24x84	18218904	39218904	39938904	33838904
16x96	18218204	39218204	39938204	33838204	26x84	18219002	39219002	39939002	33839002
18x99	18218405	39218405	39938405	33838405	27x120	18219104	39219104	39939104	33839104
21x118	18218650	39218650	39938650	33838650	28x96	18219202	39219202	39939202	33839202
22x84	18218704	39218704	39938704	33838704	28x108	18219204	39219204	39939204	33839204
24x72	18218902	39218902	39938902	33838902	30x144	18219306	39219306	39939306	33839306

CASEMENT BAYS			
30 Degree		45 Degree	
CN Width	Board Size	CN Width	Board Size
17-17-17	24x72	17-17-17	24x72
17-21-17	24x72	17-21-17	24x72
17-25-17	24x72	17-25-17	24x72
17-29-17	24x72	17-29-17	24x72
17-33-17	24x72	17-33-17	24x72
17-37-17	24x72	17-37-17	24x72
17-49-17	24x84	17-49-17	24x72
21-21-21	24x72	21-21-21	24x72
21-25-21	24x72	21-25-21	24x72
21-29-21	24x72	21-29-21	24x72
21-33-21	24x72	21-33-21	24x72
21-37-21	24x84	21-37-21	24x72
21-49-21	28x96	21-49-21	24x84
21-57-21	28x96	21-57-21	28x96
21-73-21	21x118	21-73-21	28x108
25-25-25	24x72	25-25-25	26x84
25-29-25	22x84	25-29-25	26x84
25-33-25	24x84	25-33-25	28x96
25-37-25	24x84	25-37-25	28x96
25-49-25	28x96	25-49-25	28x96
25-57-25	28x108	25-57-25	28x108
29-29-29	22x84	29-29-29	28x96
29-33-29	24x84	29-33-29	28x96
29-37-29	28x96	29-37-29	28x96
29-49-29	28x108	29-49-29	28x96
29-57-29	28x108	29-57-29	28x108
33-33-33	28x96		
33-37-33	28x96		
33-49-33	28x108		

CASEMENT BOWS			
4 Wide		5 Wide	
CN Width	Board Size	CN Width	Board Size
17-4W	16x96	17-5W	22X84
21-4W	16x96	21-5W	21X118
25-4W	28x108	25-5W	27X120
29-4W	27x120		

DOUBLE HUNG BAYS			
30 Degree		45 Degree	
CN Width	Board Size	CN Width	Board Size
22-22-22	24x72	22-22-22	24x72
22-26-22	24x72	22-26-22	24x72
22-30-22	24x72	22-30-22	24x72
22-34-22	22x84	22-34-22	24x72
22-36-22	22x84	22-36-22	24x84
22-38-22	22x84	22-38-22	24x84
22-42-22	22x84	22-42-22	24x84
22-50-22	28x96	22-50-22	28x96
22-54-22	28x96	22-54-22	28x96
22-62-22	28x108	22-62-22	28x108
26-26-26	22x84	26-26-26	26x84
26-30-26	22x84	26-30-26	26x84
26-34-26	22x84	26-34-26	26x84
26-36-26	28x96	26-36-26	26x84
26-38-26	28x96	26-38-26	26x84
26-42-26	28x96	26-42-26	28x96
26-50-26	28x108	26-50-26	28x96
26-54-26	28x108	26-54-26	28x108
26-62-26	21x118	26-62-26	28x108
30-30-30	28x96	30-30-30*	28x96
30-34-30	28x96	30-34-30*	28x96
30-36-30	28x96	30-36-30*	28x96
30-38-30	28x96	30-38-30*	28x96
30-42-30	28x108	30-42-30*	28x96
30-50-30	28x108	30-50-30*	28x108
30-54-30	27x120	30-54-30*	28x108
34-34-34	28x108	30-62-30*	30x144
34-36-34	28x108		
34-38-34	28x108		
34-42-34	21x118		
34-50-34	28x108		
36-36-36	28x108		
36-38-36	28x108		
36-42-36	28x108		
38-38-38	28x108		
38-42-38	30x144		

\* For 4 9/16" jamb extension only.

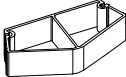
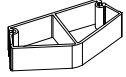
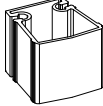
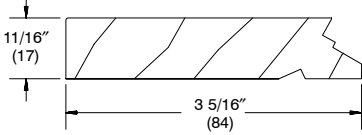
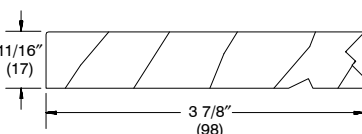
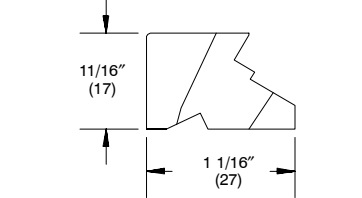
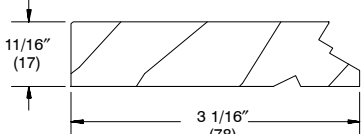
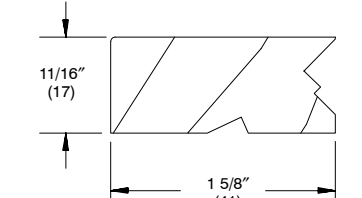
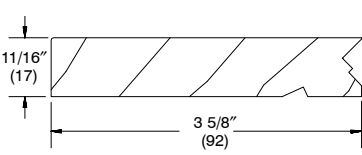
ILLUSTRATION NOT TO SCALE	DESCRIPTION	LENGTH	PART NO.
	<b>30 Degree Bay Connector</b> A168		
	<b>ELCA</b>	47 1/8" (1197)	N/A
	47 AR		
	71 AR	71 1/8" (1807)	N/A
	<b>ELDH</b>	47 3/4" (1213)	N/A
	48 AR 72 AR	71 3/4" (1822)	N/A
	<b>Lineal</b>	120" (3048)	18613098
	<b>45 Degree Bay Connector</b> A167		
	<b>ELCA</b>	47 1/8" (1197)	18611702
	47 AR		
	71 AR	71 1/8" (1807)	18611706
	<b>ELDH</b>	47 3/4" (1213)	18611711
	48 AR 72 AR	71 3/4" (1822)	18611714
	<b>Lineal</b>	150" (3810)	18611699
	<b>12 Degree Connector</b> A166		
	<b>ELCA</b>	CN 47 AR	47 1/8" (1197)
	CN 71 AR	71 1/8" (1807)	N/A
	Lineal AR	120" (3048)	N/A



ILLUSTRATION <i>NOT TO SCALE</i>	DESCRIPTION	LENGTH/ COLOR	BARE WOOD PART NO.	PREFINISH WOOD PART NO.		
<b>Double Hung 30 Degree Bay Mull Kits</b>	<b>4 9/16" Jamb Extension</b>	Stone White	CN 48	11895648	39265648	
		Pebble	CN 48	11898348	39268348	
		Stone White	CN 72	11895672	39265672	
		Pebble	CN 72	11898372	39268372	
		<b>6 9/16" Jamb Extension</b>	Stone White	CN 48	11895748	39265748
			Pebble	CN 48	11898548	39268548
		Stone White	CN 72	11895772	39265772	
		Pebble	CN 72	11898572	39268572	
	<b>6 13/16" Jamb Extension</b>	Stone White	CN 48	11895848	39265848	
		Pebble	CN 48	11899348	39269348	
		Stone White	CN 72	11895872	39265872	
		Pebble	CN 72	11899372	39269372	
<b>Double Hung 45 Degree Bay Mull Kits</b>		<b>4 9/16" Jamb Extension</b>	Stone White	CN 48	11895348	39255348
			Pebble	CN 48	11899648	39259648
	Stone White		CN 72	11895372	39255372	
	Pebble		CN 72	11899672	39259672	
	<b>6 9/16" Jamb Extension</b>		Stone White	CN 48	11895448	39255448
			Pebble	CN 48	11899848	39259848
		Stone White	CN 72	11895472	39255472	
		Pebble	CN 72	11899872	39259872	
	<b>6 13/16" Jamb Extension</b>	Stone White	CN 48	11895548	39255548	
		Pebble	CN 48	11896148	39266148	
		Stone White	CN 72	11895572	39255572	
		Pebble	CN 72	11896172	39266172	

Illustration <i>NOT TO SCALE</i>	Description	Bare Wood	White
	<p><b>ELDH 30° Bay Return Jamb Extension – 6 13/16"</b> W2212</p> <p>CN72 – 71 3/4" (1822) Lineal – 96" (2438)</p>	<p>33744572 33744596</p>	<p>39244372 39244396</p>
	<p><b>ELDH 45° Bay Return Jamb Extension – 6 13/16"</b> W2213</p> <p>CN72 – 71 3/4" (1822) Lineal – 96" (2438)</p>	<p>33744672 33744696</p>	<p>39245372 39245396</p>
	<p><b>ELDH 30° Bay Return Jamb Extension – 4 9/16"</b> W7291</p> <p>CN72 – 72 1/4" (1835) Lineal – 96" (2438)</p>	<p>33734272 33734296</p>	<p>39234272 39234296</p>
	<p><b>ELDH 30° Bay Return Jamb Extension – 6 9/16"</b> W7295</p> <p>CN72 – 72" (1829) Lineal – 96" (2438)</p>	<p>33734372 33734396</p>	<p>39234372 39234396</p>
	<p><b>ELDH 45° Bay Return Jamb Extension – 4 9/16"</b> W7329</p> <p>CN72 – 72" (1829) Lineal – 96" (2438)</p>	<p>33733072 33733096</p>	<p>39233072 39233096</p>
	<p><b>ELDH 45° Bay Return Jamb Extension – 6 9/16"</b> W7328</p> <p>CN72 – 72" (1829) Lineal – 96" (2438)</p>	<p>33733172 33733195</p>	<p>39233172 39233195</p>