















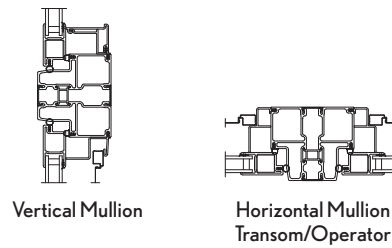
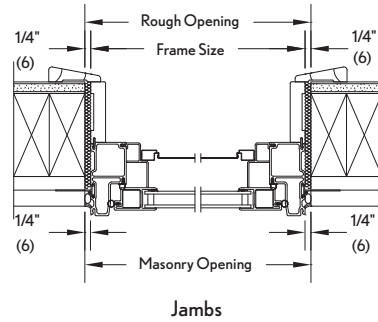
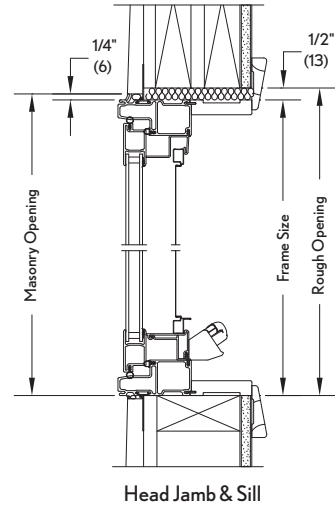
# AWNING

## 4 Wide Operator / Stationary Units

## Construction Details

<b>MO (mm)</b>	6' - 0" (1829)	8' - 0" (2438)
<b>RO (mm)</b>	6' - 0" (1829)	8' - 0" (2438)
<b>FS (mm)</b>	5' - 11 1/2" (1816)	7' - 11 1/2" (2426)

1' - 5 3/4" (451)		
1' - 6" (457)		
1' - 5 1/2" (445)		
1' - 11 3/4" (603)		
2' - 0" (610)		
1' - 11 1/2" (597)		
2' - 5 3/4" (756)		
2' - 6" (762)		
2' - 5 1/2" (749)		
2' - 11 3/4" (908)		
3' - 0" (914)		
2' - 11 1/2" (902)		



Details and Elevations not to scale.  
 Special sized units available within product size matrix. See your Integrity® retailer.  
 Obscure Glass option available on all units.  
 See page 52 for specific PG Ratings.

### Multiple Assemblies

Multiple assemblies can be factory mullied.

**MAXIMUM ROUGH OPENING** not to exceed 114" X 78". Maximum up to 6 units wide by 1 unit high.

**MAXIMUM ROUGH OPENING** not to exceed 96" X 96". Maximum up to 5 units wide by 5 units high.

Field mull kits are available. Structural mullion reinforcement is required for some assemblies.

Please consult your local Integrity from Marvin® representative for more information.