

Elevate Casement Narrow Frame

Unit Features	1
Minimum and Maximum Guidelines	3
Certified Sizes and Rating	4
Egress Measurement / Egress Formula	5
Conversions	6
Measurement Conversions - Field Measurement	7
Mulling Guidelines	8
Section Details: Interior Install: Casement	9
Section Details: Exterior Install: Casement	10
Section Details: Interior Install: Awning	11
Section Details: Exterior Install: Awning	12
Section Details: Interior Install: Picture/Transom	13
Section Details: Exterior Install: Picture/Transom	14
Section Details: Mullion Detail	15
Section Details: Sill Frame Expander	16
Section Details: Divided Lite Options	17
Available Divided Lite Patterns	18

Unit Features**ELEVATE INSERT CASEMENT COLLECTION:**

Elevate Casement Narrow Frame: ELCANF
Elevate Awning Narrow Frame: ELAWNNF
Elevate Casement Insert Transom: ELCANF TR
Elevate Casement Insert Picture: ELCANF P

For applicable certification and code information, refer to the Introduction and Product Performance chapter.

Frame and Sash:

- The frame and sash exteriors are made of Ultrex[®], an advanced fiber reinforced material that is resistant to thermal conductance.
 - Exterior colors: Stone White, Pebble Gray, Bronze, Evergreen, Cashmere, or Ebony. Frame and sash color may be selected independently.
- The interior is non finger-jointed, kiln dried to a moisture content of 6-12% at time of fabrication. Water-repellant, preservative treated.
 - Interior wood is available as Pine bare wood or factory-applied White, Clear, and Designer Black interior finish. Frame and sash color may be selected independently.

Frame:

- Composite frame thickness is 1 13/16" (46). Frame Width of 3 1/4" (83). Ultrex is .080" (2) thick. Includes an exterior accessory kerf and snap-in wood sill liner.

Sash:

- Composite sash thickness is 1 17/32" (39). Ultrex is 0.070" (2) thick. Sash can be replaced but not reglazed.

Casement Hardware:

- Dual arm roto hardware factory installed on casement units. The roto gear hardware is an E-coated, high strength, low alloy steel. IO width less than or equal to 24 3/8" (619) require dyad operators.
- The hinge track is stainless steel, the hinge arm is E-coated high strength, low alloy steel and the hinge shoe is an injection molded with a stainless steel insert.
- Egress hinge is required on units with an I.O. from 26 1/2" (673) to 29 23/64" (746) to meet egress code. This hinge does not allow for cleaning of the exterior of sash from the inside.
- Folding handle with removable snap fit covers are available in Almond Frost, White, or Matte Black finishes.
- Optional Brass, Satin Nickel, and Oil Rubbed Bronze hardware available. Sequential locks are used on all heights, with removable escutcheon and handle.
- Optional coastal hardware is available.
- Optional factory applied Window Opening Control Device is available (min size: 17 27/32" (453) x 24" (610) - max size: 36" (914) x 71 1/8" (1807)). Available in almond frost, white, and Matte Black finishes.

Awning Hardware:

- Scissors arm roto hardware factory installed on all awning units. The Roto hardware is an E-coated high strength, low alloy steel.
- The hinge track and hinge arms are E-coated high strength, low alloy steel, and injected molded with a stainless steel insert.
- Folding handle with removable snap fit covers are available in Almond Frost, White, or Matte Black finishes.
- Optional Brass, Satin Nickel and Oil Rubbed Bronze hardware available.
- A single point lock on each jamb/stile, with a removable escutcheon handle.
- Optional coastal hardware is available.
- Optional factory installed or field applied stainless steel sash limiter is available.

Unit Features Continued**Installation:**

- Operator: Secure the jambs with minimum of two #8 x 3" pan head screws. Maximum spacing of jambs not to exceed 25.875". Secure the head jamb with two #8 x 3" pan head screws. Maximum spacing of head jambs not to exceed 30.875".
- Picture: Secure the jambs with minimum of one #8 x 3" pan head screws. Maximum spacing of jambs not to exceed 20". Secure the head jamb with minimum of one #8 x 3" pan head screws. Maximum spacing of head jambs not to exceed 17.250".

Glazing:

- Dual-pane units are manufactured with an 11/16" (17) IG with Low E1, E2, E3, E3/ERS, or no coating including argon gas fill.
- Tempered glass and/or obscure glass, and California Fire glass (annealed exterior and tempered interior glazing configuration) are available as an option.
- The glazing seal is a silicone bedding on the exterior surface and vinyl glazing seal on the interior surface in a one-piece sash.
- STC/OITC values are available for 3.1 mm glass thickness.
 - Optional 3.1/4.7 STC/OITC Upgrade glass is available. See the Product Performance chapter for STC and OITC ratings.
- Decorative glass options include glue chip, rain, reed, narrow reed, frost, and tinted (bronze, gray or green). Decorative glass is not available with Low E1, Low E3/ERS, or STC/OITC.

Weather Strip:

- All units are dual weather stripped.
- The primary weather strip is a black extruded PVC foam filled bulb that attaches to all four sides of the frame by a kerf in the Ultrex. It provides a seal between the wood and the sash and the frame Ultrex.
- The secondary weather strip is a black extruded PVC hollow that is attached to the sash and provides a seal between the sash Ultrex and frame Ultrex.

Insect Screen:

- Charcoal fiberglass (non-corrosive) screen cloth.
- Roll formed aluminum frame with corner key construction
 - Available in Almond Frost, Ebony or White.
- Optional wood veneer screen available.
- Spring loaded pins for installation.

Interior / Exterior Simulated Divided Lites (SDL/SDLS):

- Interior bar: 7/8", (22) wide bars. Pine bare wood, or white, clear, or designer black interior finishes.
- Exterior bar: Ultrex, 7/8", (22) wide bars, finish to match exterior.
- Patterns available: rectangle, 6 or 9 lite Prairie cut or Cottage style cut.
- Simulated check rail option: 2 11/32", (60).
- Pattern available: simulated rail in standard center or customer specified location with 7/8", (22) pattern above, below or both in pattern of rectangular equal lite or prairie lite cut.
- SDL not available on rain, reed or narrow reed decorative glass. Glue chip requires tempered glass for SDL application.
- Available on tinted glass without spacer bar.

Grilles-Between-The-Glass (GBG):

- 23/32" (18) contoured aluminum bar placed between two panes of glass
- Patterns: Rectangular, 6 or 9 lite Prairie cut, or Cottage style
- Exterior colors: Stone White, Pebble Gray, Bronze, Evergreen, Cashmere, or Ebony
- Interior colors: Stone White, Bronze, or Ebony (matches unit interior color)
- GBG is not available with tinted glass.

Removable Interior Grilles:

- Bar: Pine wood, 3/4" (19)
- Pattern: Standard rectangular pattern.
- Available in Pine bare wood or factory applied white, clear, or designer black finishes.

Minimum and Maximum Guidelines

Unit Type	Min IO Width		Min IO Height		Max IO Width		Max IO Height		Glass Size	
	in	mm	in	mm	in	mm	in	mm	Sq. Feet	Sq. Meters
ELCANF	16 3/8	(416)	24 1/4	(616)	36 3/8	(924)	71 3/8	(1813)	14 25/32	1.374
ELAWNNF	24 3/8	(619)	19 3/8	(492)	48 3/8	(1229)	47 3/8	(1203)	13 1/16	1.214
ELCANF TR	16 3/8	(416)	16	(406)	72 3/8	(1838)	19 3/8	(492)	7 1/32	0.654
ELCANF P	16 3/8	(416)	16	(406)	72 3/8	(1838)	59 3/8	(1508)	25 7/8	2.238
ELCANF P	16 3/8	(416)	16	(406)	56 3/8	(1432)	71 3/8	(1813)	24 5/64	2.404

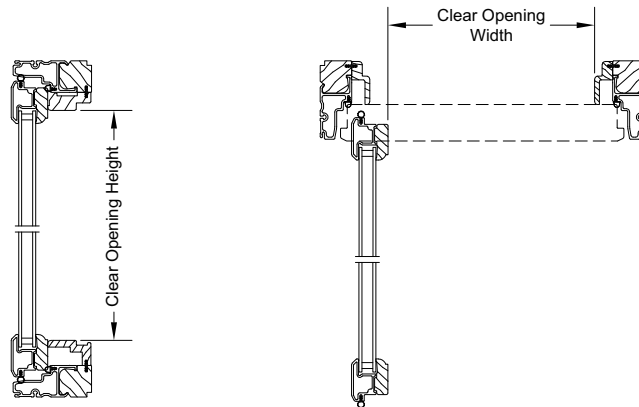
NOTE: Special sizes are available in 1/64" (40) increments, not to exceed the frame size measurement maximum or minimum in the table above.

Certified Sizes and Rating

Product	Air Tested to psf	Water Tested to psf	Certification Rating	Design Pressure (DP)	Max Overall Width		Max Overall Height	
					in	mm	in	mm
ELCANF	1.56	7.52	LC-PG50-C	50	36	(914)	71 1/8	(1807)
ELAWNNF	1.56	7.52	LC-PG50-AP	50	48	(1219)	47 1/8	(1197)
ELCANF P / ELCANF TR	1.56	7.52	LC-PG50-AP	50	72	(1829)	59 1/8	(1502)
ELCANF P / ELCANF TR	1.56	7.52	LC-PG50-AP	50	56	(1422)	71 1/8	(1807)

Egress Measurement / Egress Formula

Elevate Casement Narrow Frame Egress Unit Minimum Opening Conversion From Frame Size		
Minimum Value for Net Clear Opening	Desired Dimension	Formula
20 Inches	Egress Opening Width, Standard Hinge (Inches)	= Frame OM Width – 8.758
20 Inches	Egress Opening Width, Egress Hinge (Inches)	= Frame OM Width – 6.125
24 Inches	Egress Opening Height (Inches)	= Frame OM Height – 4.400
5.7 Square Feet	Egress Opening Area (SQFT)	= (Egress Width x Egress Height) / 144



Conversions

Elevate Casement Narrow Frame, Awning Narrow Frame, Transom, and Picture					
Unit Measurements		Width		Height	
From	To				
Daylight Opening		in	mm	in	mm
Daylight Opening	Sash OM	+ 3 17/32	(90)	+ 3 17/32	(90)
Daylight Opening	Glass OM	+ 1 1/32	(26)	+ 1 1/32	(26)
Daylight Opening	Aluminum Screen OM	+ 1 5/8	(41)	+ 1 15/64	(31)
Daylight Opening	Wood Veneer Screen OM	+ 1 37/64	(40)	+ 1 3/16	(30)
Daylight Opening	Grille	Order by DLO		Order by DLO	
Inside Opening		in	mm	in	mm
Inside Opening	Sash OM	-2 1/16	(52)	-1 15/16	(49)
Inside Opening	Daylight Opening	-5 19/32	(142)	-5 15/32	(139)
Inside Opening	Glass OM	-4 9/16	(116)	-4 7/16	(113)
Inside Opening	Aluminum Screen OM	-3 31/32	(101)	-4 15/64	(108)
Inside Opening	Wood Veneer Screen OM	-4 1/64	(102)	-4 9/32	(109)
Inside Opening	Frame OM	-3/8	(10)	-1/4	(06)

Measurement Conversions - Field Measurement

Conversion from Field Measurement to Frame OM		
Width		
Condition	Formula	
If blind stop width is 1/2 inch or less	ELCANF frame OM width = inside opening width - 0.375 (10)	
Height		
Condition	Type of Sill	Formula
If old sill angle is less than 8°	0 degree bottom sill	ELCANF frame OM height = inside opening height - 0.250 (6)

Mulling Guidelines

Multiple assemblies can be factory mullered up to 4 units wide by 1 unit high

MAXIMUM INSIDE OPENING not to exceed 112" (2845) x 71 1/8" (1742)

Multiple assemblies can be factory mullered up to 1 unit wide by 2 units high

MAXIMUM INSIDE OPENING not to exceed 72" (1829) x 94 1/4" (2394):

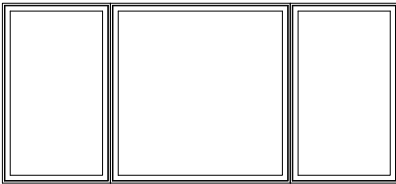
NOTE: Field mulling beyond the above limitations is not recommended

CALCULATING TOTAL INSIDE OPENING FOR ASSEMBLIES

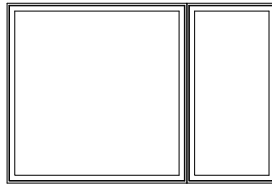
WIDTH: ADD Frame Widths + 3/8" (10)

HEIGHT: ADD Frame Heights + 1/4" (6)

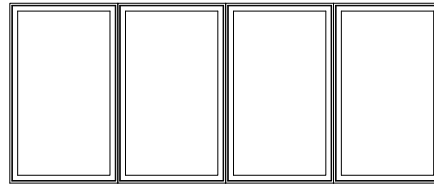
Tolerance = 3/16" (10) from Frame to Inside Opening at left and right jamb.



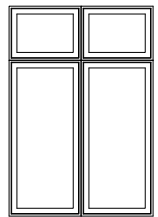
3 Units Wide 1 Unit High



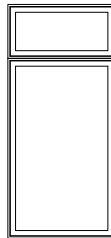
2 Units Wide 1 Unit High



4 Units Wide 1 Unit High



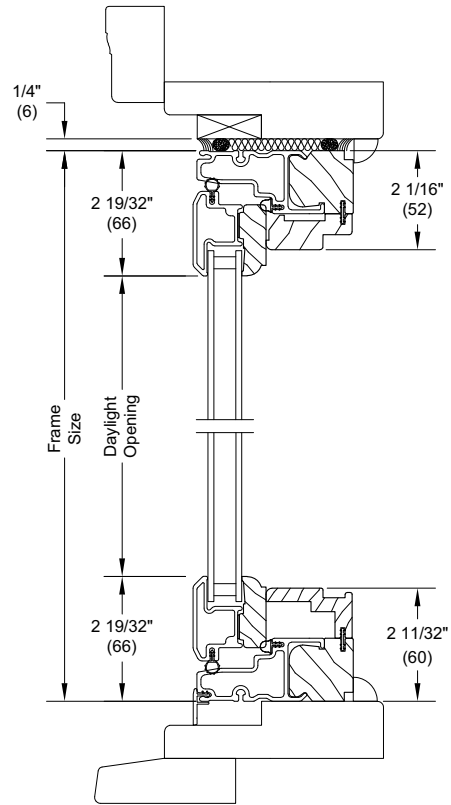
2 Units Wide
2 Units High



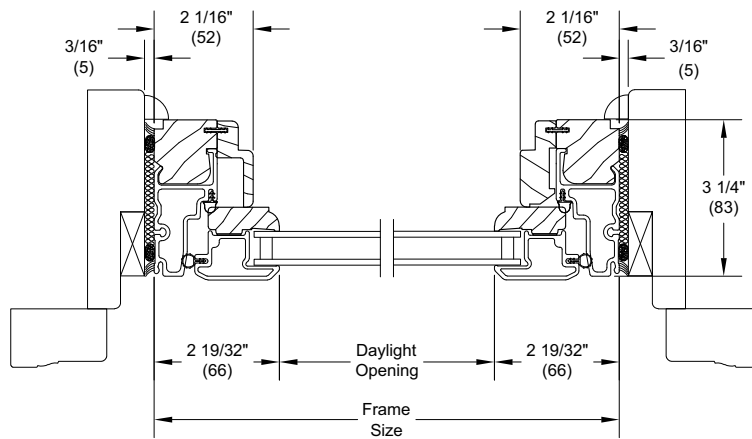
1 Unit Wide 2 Units High

Section Details: Interior Install: Casement

Scale: 3" = 1' 0"



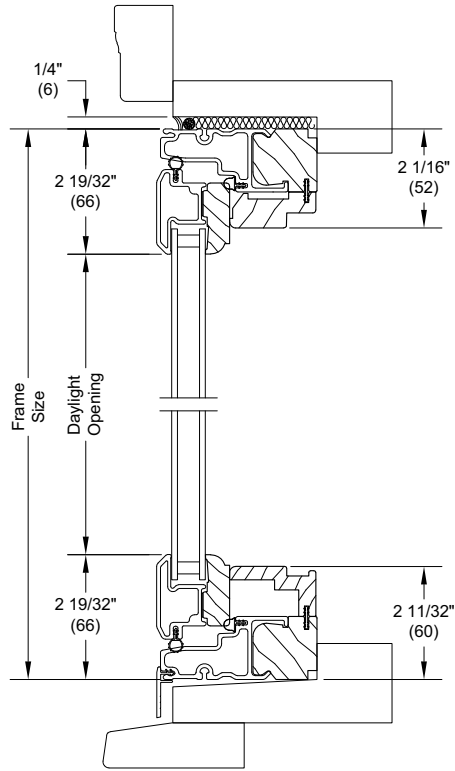
**Head Jamb and Sill
Installed in Existing Frame
Interior Install**



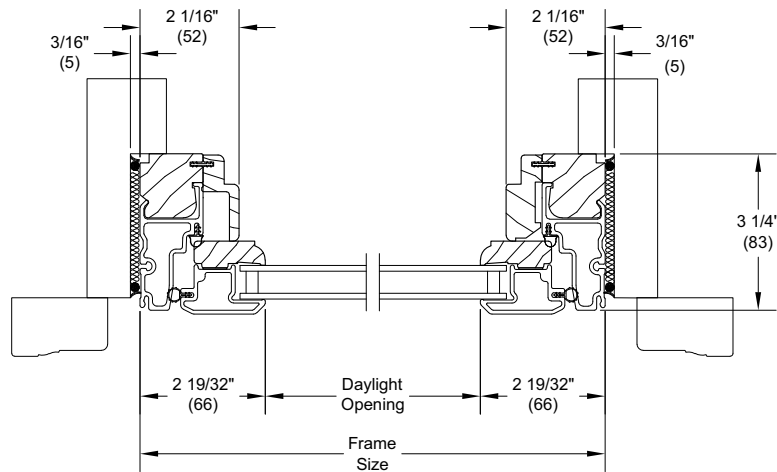
**Jamb
Installed in Existing Frame
Interior Install**

Section Details: Exterior Install: Casement

Scale: 3" = 1' 0"



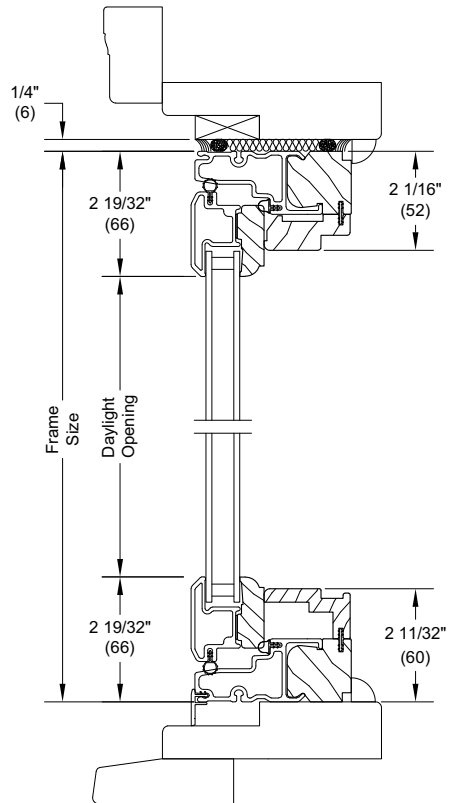
**Head Jamb and Sill
Installed in Existing Frame
Exterior Install**



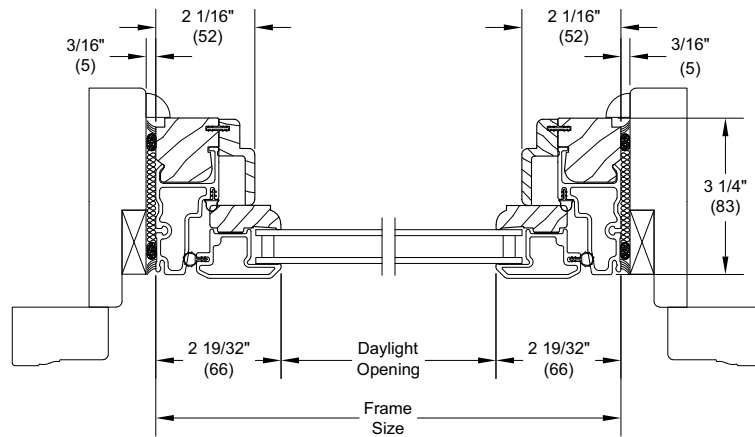
**Jamb
Installed in Existing Frame
Exterior Install**

Section Details: Interior Install: Awning

Scale: 3" = 1' 0"



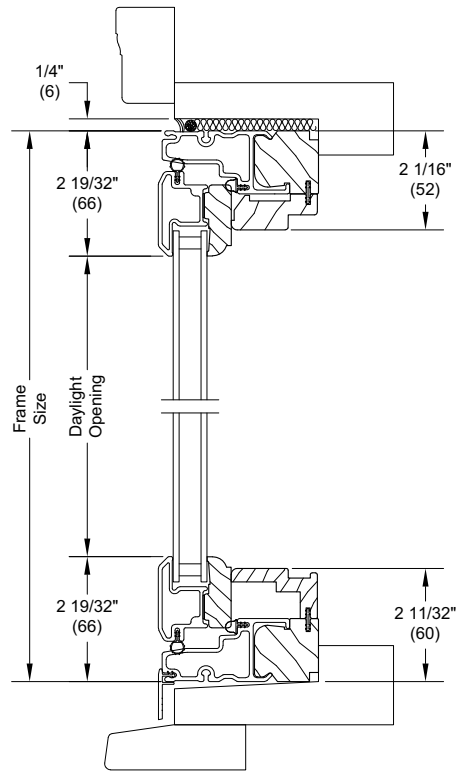
**Head Jamb and Sill
Installed in Existing Frame
Interior Install**



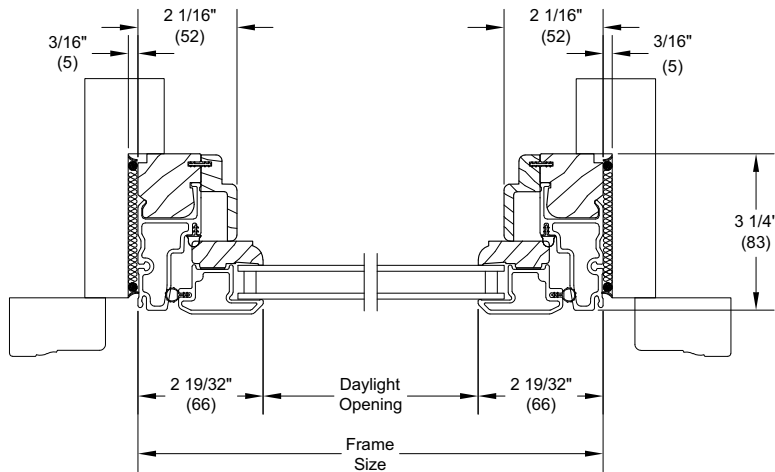
**Jamb
Installed in Existing Frame
Interior Install**

Section Details: Exterior Install: Awning

Scale: 3" = 1' 0"



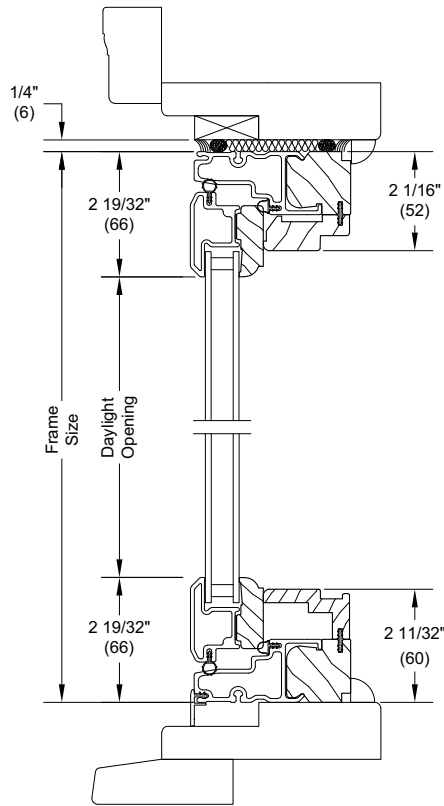
**Head Jamb and Sill
Installed in Existing Frame
Exterior Install**



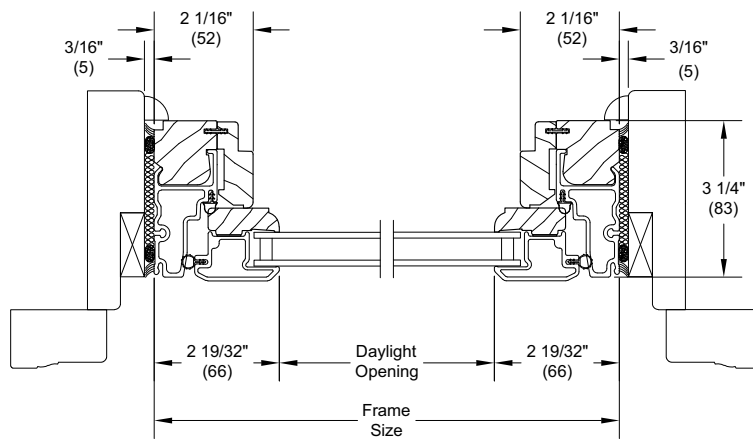
**Jamb
Installed in Existing Frame
Exterior Install**

Section Details: Interior Install: Picture/Transom

Scale: 3" = 1' 0"



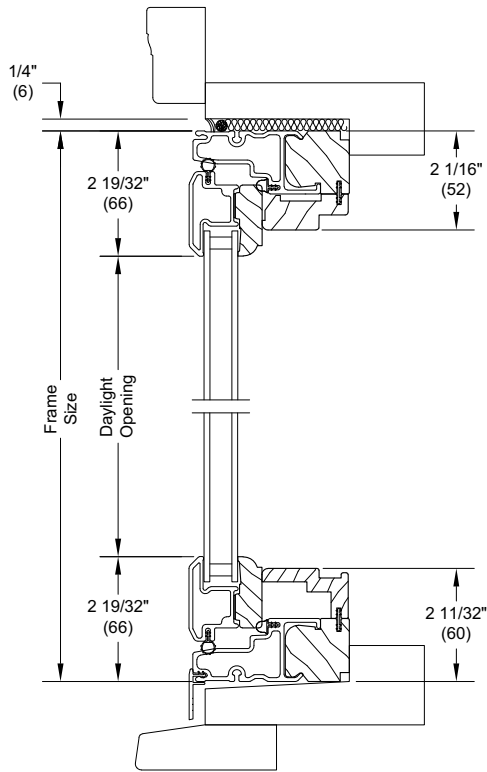
**Head Jamb and Sill
Installed in Existing Frame
Interior Install**



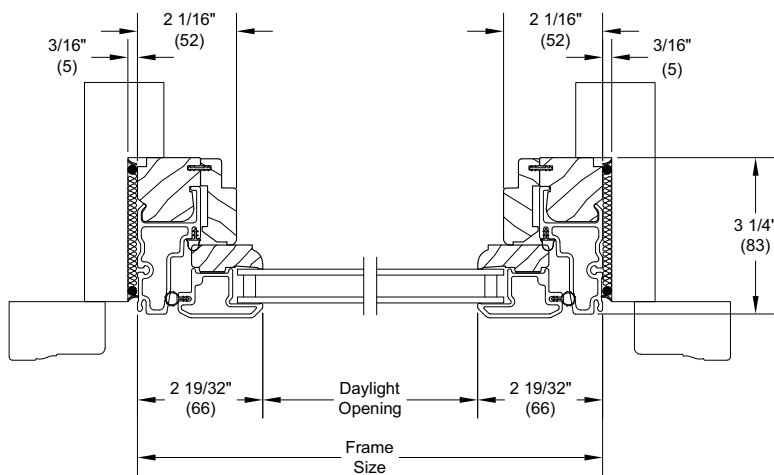
**Jamb
Installed in Existing Frame
Interior Install**

Section Details: Exterior Install: Picture/Transom

Scale: 3" = 1' 0"



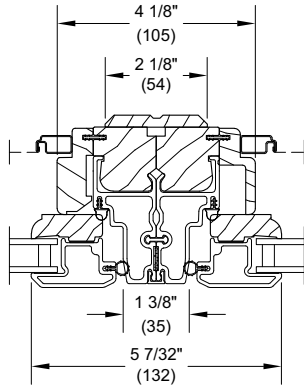
**Head Jamb and Sill
Installed in Existing Frame
Exterior Install**



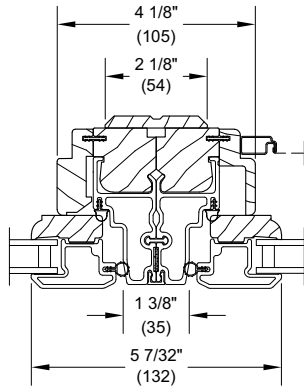
**Jamb
Installed in Existing Frame
Exterior Install**

Section Details: Mullion Detail

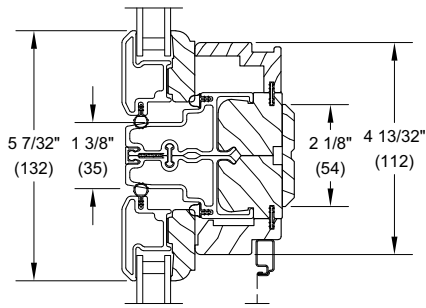
Scale: 3" = 1' 0"



Operator/Operator



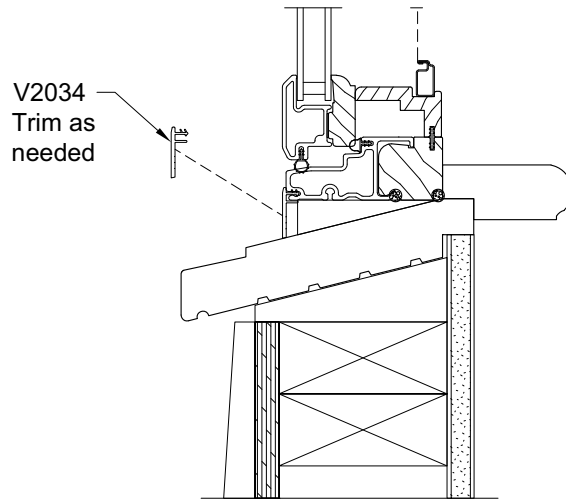
Picture/Operator



Transom/Operator

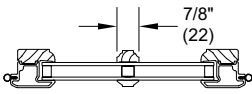
Section Details: Sill Frame Expander

Scale: 3" = 1' 0"

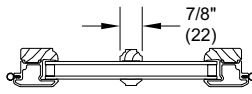


Sill Frame Expander

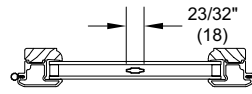
Section Details: Divided Lite Options



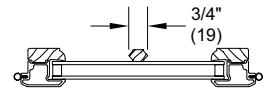
Wood SDL With Spacer Bar



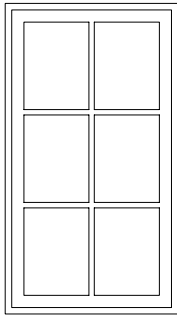
Wood SDL Without Spacer Bar



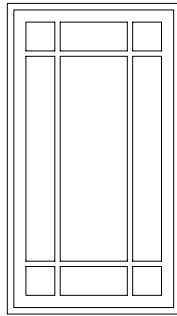
Aluminum Grille Between Glass GBG or SDL



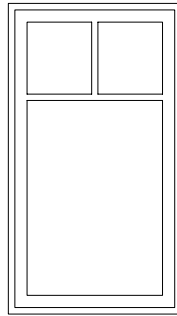
Wood Removable Grille



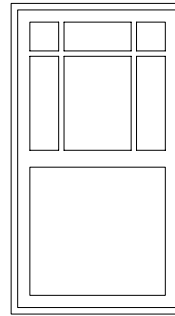
Rectangle GBG or SDL



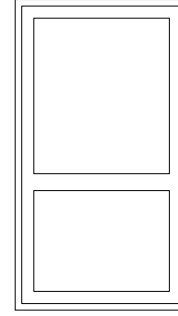
Prairie GBG or SDL



Cottage GBG or SDL



Prairie SDL w/ Simulate Check Rail



Custom Simulated Rail

Conversions Formula:

$$\frac{\text{Total DLO} - \text{Total Bar Width}}{\text{Number of lites}} = \text{Individual DLO}$$

NOTES:

- Wood Grilles for special size units will default to the next smaller standard size lite pattern. Wood Grilles are not available in lite patterns other than the Wood Grille patterns.
- Rectangle GBGs for special size units will default to the next smaller standard size lite pattern. Also available will be Prairie pattern and customer specified equal rectangular lite patterns.
- Rectangular SDL for special size units will default to the next smaller standard size lite pattern. Also available will be Prairie patterns, Cottage patterns, and customer specified equal rectangular lite patterns.
- Prairie GBGs and SDL are not available in lite patterns other than the Prairie patterns listed in the following pages
- Cottage SDL for special sizes will default to the next smaller standard size lite pattern. Cottage SDL is not available in lite patterns other than the Cottage patterns listed in the following pages.
- Maximum number of lites wide and high for equal lite SDL is 11 lites.
- Minimum DLO measurement for equal lite GBG and SDL option is 3" (76) and will be validated by OMS.
- Standard DLO measurement for Prairie GBG and SDL option is 4" (102) Special DLO corners are n/a.
- Standard DLO height measurement for Cottage SDL option is 10" (254). Special DLO heights are n/a.
- Simulated Rail: Rectangular, Prairie 6-Lite and 9-Lite SDL patterns are available with Simulated Rail.
- Simulated Rail: custom ratio and specified DLO are available with Simulated Rail and will be validated by OMS.

Available Divided Lite Patterns

Casement Narrow Frame SDL, GBG, Grille Equal Lite Cut						
Product	Width			Height		
	Frame Width		Lite Cut Pattern	Frame Height		Lite Cut Pattern
	in	mm		in	mm	
ELCANF	16	(406)	2W	24	(610)	2H
	28	(711)	3W	39 1/8	(994)	3H
	36	(914)	3W	55 1/8	(1400)	4H
	NA	NA	NA	63 1/8	(1603)	5H
	NA	NA	NA	71 1/8	(1807)	5H
ELAWNNF	24	(610)	2W	19 1/8	(486)	2H
	28	(711)	3W	39 1/8	(994)	3H
	48	(1219)	4W	47 1/8	(1197)	3H
ELCANF P / ELCANF TR	16	(406)	2W / 1W	15 3/4	(400)	1H
	20	(508)	2W	19 1/8	(486)	2H
	28	(711)	3W	39 1/8	(994)	3H
	40	(1016)	4W	55 1/8	(1400)	4H
	56	(1422)	5W	63 1/8	(1603)	5H
	72	(1829)	7W	71 1/8	(1807)	5H

NOTE: When frame width or height are between two sizes, refer to the smaller size shown for the default lite cut pattern.