

Supplied with the Suitcase Sample

Suitcase frame
Shoulder strap
Cover
CINDH-Panning/Exterior finish sample
WINDH-Exterior trim kit sample

Installation fastener package:

UDHING2

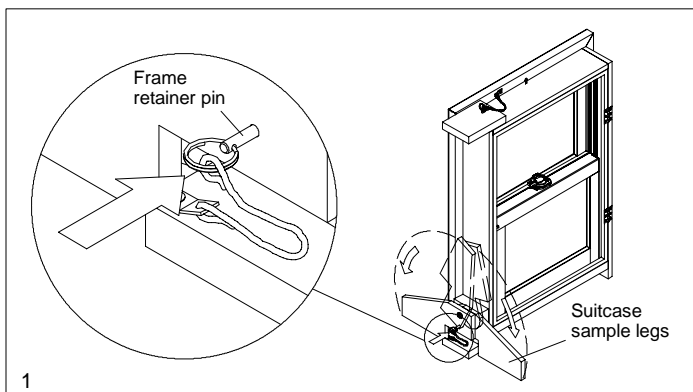
2-Jamb jack screws
4-#7x2" Phillips pan head screws
2-Wood interior jamb plugs
2-Clad exterior jamb plugs
2-Jamb liner checkrail pads

UWDHIN

2-Jamb jack screws
4-#7x2" Phillips pan head screws
4-Wood interior jamb plugs
2-Jamb liner checkrail pads

SETTING UP THE SUITCASE SAMPLE

1. To set up the suitcase sample, place the unit in the vertical position (sill down). Fold the legs down and lock in place by inserting the retaining pin. See illustration 1.

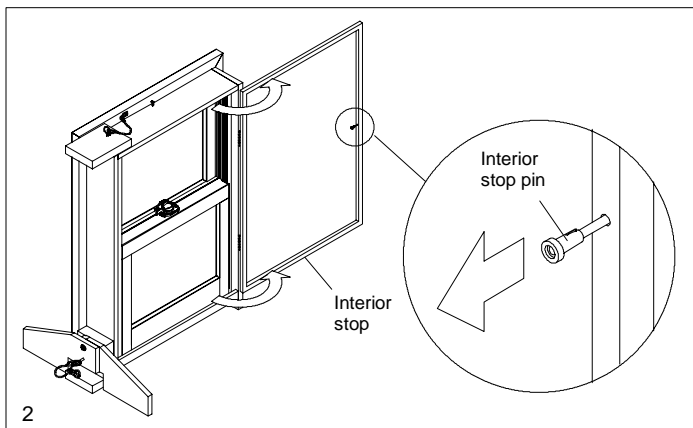


UDHING2 REMOVAL AND INSTALLATION

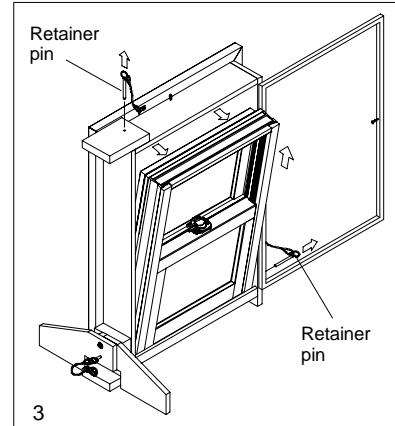
NOTE: The INDH Suitcase sample can demonstrate either interior or exterior installation for UDHING2 units.

INTERIOR REMOVAL

2. To remove the insert unit from the interior, pull out on the interior stop pin and swing the interior stop 180 degrees. See illustration 2.

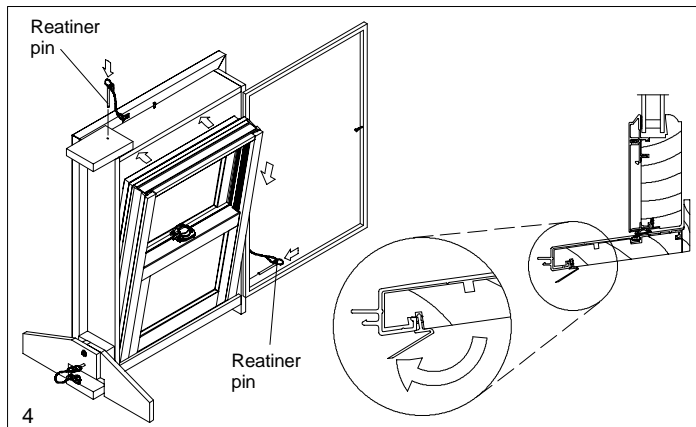


3. Remove the two frame retainer pins and tilt the top of the insert forward and lift the unit out of the frame as shown in illustration 3.



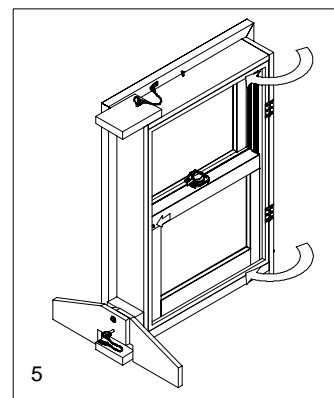
INTERIOR INSTALLATION

4. To install the insert unit from the interior, bend the sill fin to the exterior and set the insert unit on the display frame sill and tip into place. See illustration 4.



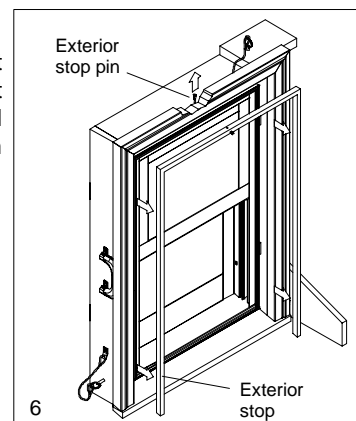
5. Pull out on the spring loaded interior stop pin and swing the interior stop into place and release the pin. See illustration 5.

NOTE: For transporting insert the two frame retainer pins. See illustration 4.

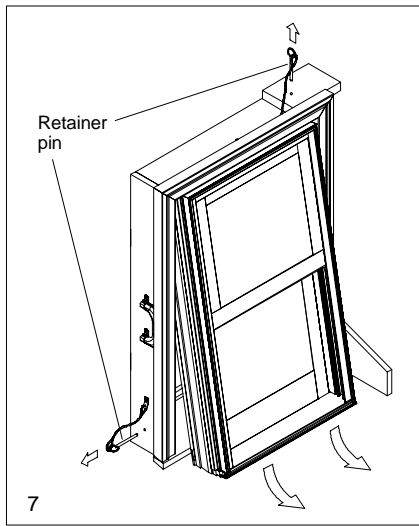


EXTERIOR REMOVAL

6. To remove the insert unit from the exterior, pull out on the exterior stop pin and remove the exterior sash stop. See illustration 6.



- Remove the two frame retainer pins and carefully pull the bottom of the insert out to the exterior to remove unit from frame. See illustration 7.

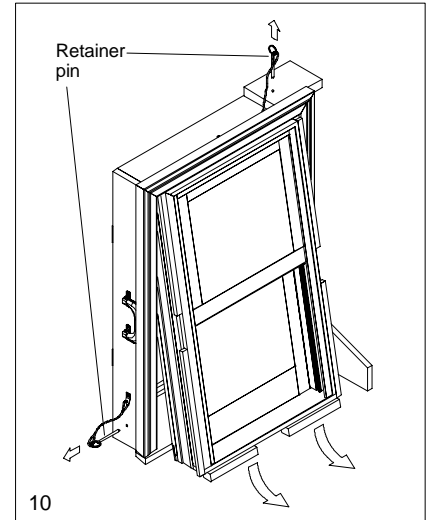


UWDHIN REMOVAL AND INSTALLATION

NOTE: The INDH Suitcase Sample demonstrates exterior installation for WINDH units.

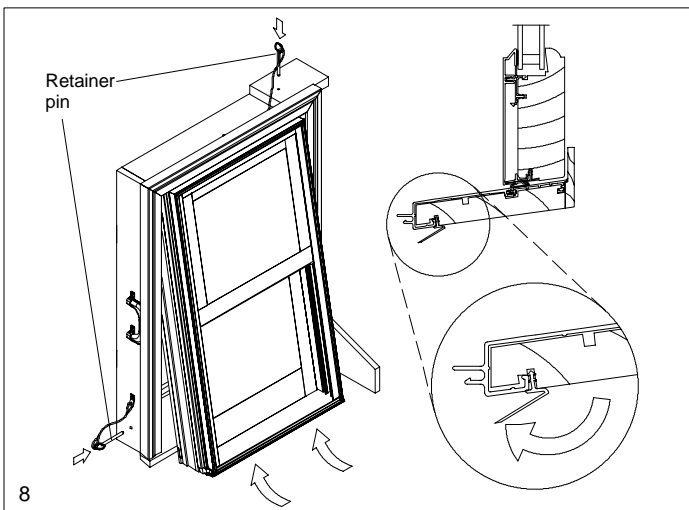
EXTERIOR REMOVAL

- Remove the two frame retainer pins and carefully pull the bottom of the insert out to the exterior to remove unit from frame. See illustration 10.

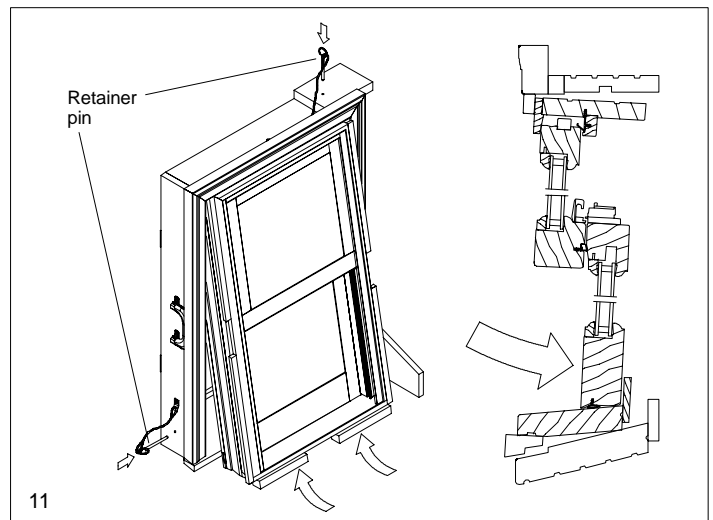


EXTERIOR INSTALLATION

- To install the insert unit from the exterior, bend the sill fin to the exterior and place the insert unit into frame, head jamb first. Then, swing the sill end into place. See illustration 8.



- To install the insert unit from the exterior, place the insert unit into frame, head jamb first. Then, swing the sill end into place. Secure unit by putting in the two frame retainer pins. See illustration 11.



- Complete installation by pulling on the spring loaded sash stop pin, placing the exterior sash stop back into place and release the pin. See illustration 9.

NOTE: For transporting insert the two frame retainer pins. See illustration 8.

