

Marvin Door Ultimate Sliding Screen Installation Instruction



NOTE: This instruction can be used for both sliding and swinging doors.

YOU WILL NEED TO SUPPLY	
Tape Measure	Power driver/drill with #1 Phillips bit
3/32"(2) drill bit	Flat bladed standard screwdriver

NOTE: Numbers listed in parentheses () are metric equivalents in millimeters rounded to the nearest whole number.

Installing the Screen Track

- Center the screen track at the unit head jamb. Align the front of the screen track with the front edge of the cladding or BMC. Pre-drill pilot holes through the screw holes in the screen track with the 3/32"(2) drill bit. Secure the screen track to the head jamb with the supplied screw. See figure 1.

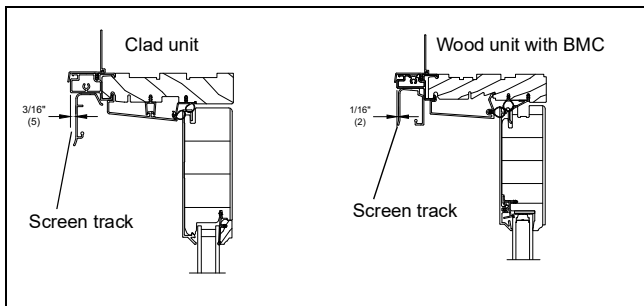


Figure 1

Installing the Screen Panel

- From the exterior, lift the screen and insert the roller bar assembly attached to screen into the roller track. Rest the bottom rail guide on the roller track. See figure 2.

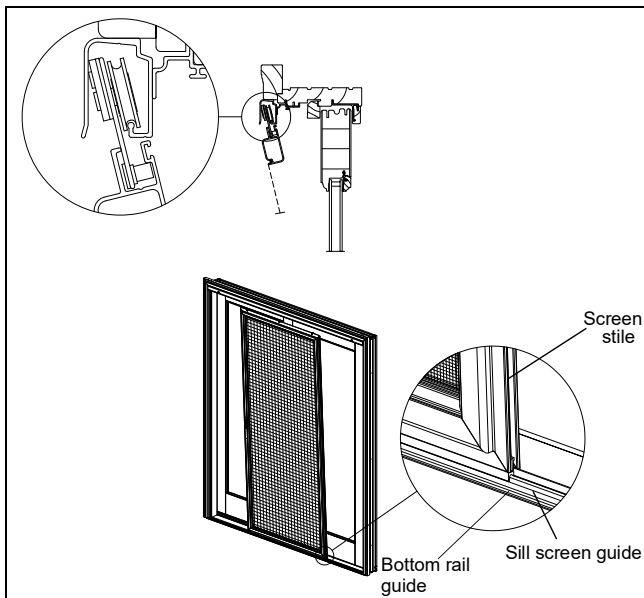


Figure 2

Screen Adjustment

- Close the screen panel within 1/4"(6) of the jamb. Adjust the screen up or down so that an even reveal is attained along the entire height of the screen panel. Adjustment is possible by loosening or tightening the adjustment screw found in the roller bar assembly. Remove plugs from the screen track to reveal access hole. Slide screen panel so that adjustment screw lines up with access hole and adjust as necessary. See figure 3.

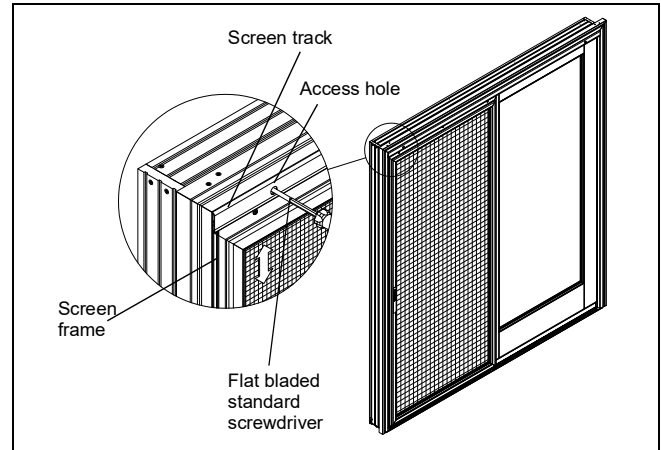


Figure 3

Install Strike Plate

- To mount strike plate on casing, cut out template below. Place bottom edge of template 34 3/16" (868) from the exterior top edge of the sill. With template at this measurement mark screw location. Attach strike with #4 x 3/4"(19) screws. See figure 4.

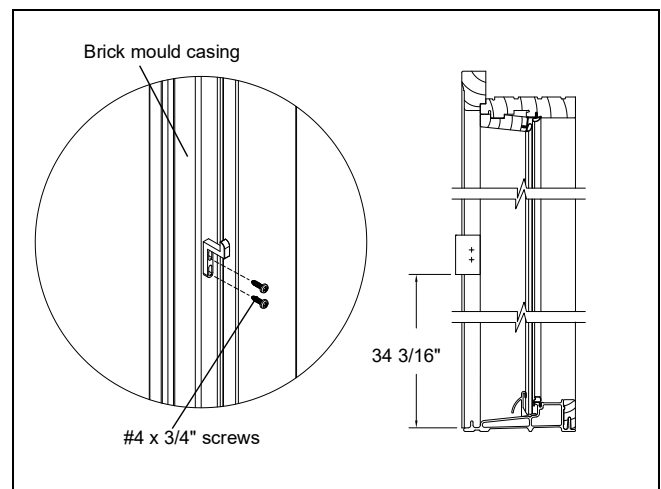


Figure 4

Screen Lock Installation

1. To install the screen lock on side, center, or astragal jamb, raise (unlock) the screen latch. Open the screen and lightly mark the location of bottom of latch with a pencil on the exterior face of the screen. Close the screen against the jamb or astragal. Transfer latch location from the screen frame to the jamb. See figure 5.

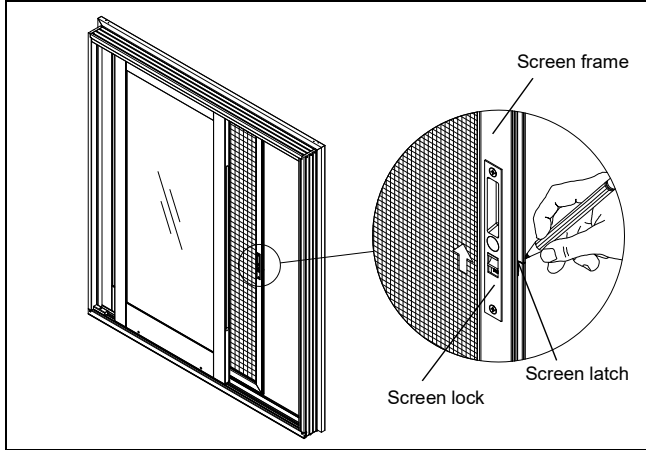


Figure 5

2. Open and slide the screen out of the way. Position strike on the jamb $1/8"$ (3) below the latch reference mark. Center the strike on the jamb so that it will fall between the interior and exterior of the screen. See figure 6. Mark the center of each screw slot on jamb. Drill pilot holes with a $3/32"$ (2) drill bit. Place the strike on jamb and fasten with the two $\#4 \times 3/4"$ pan head screws at the center of the adjustment slots. Close screen and check latch operation. Raise or lower the strike as needed. See figure 6.

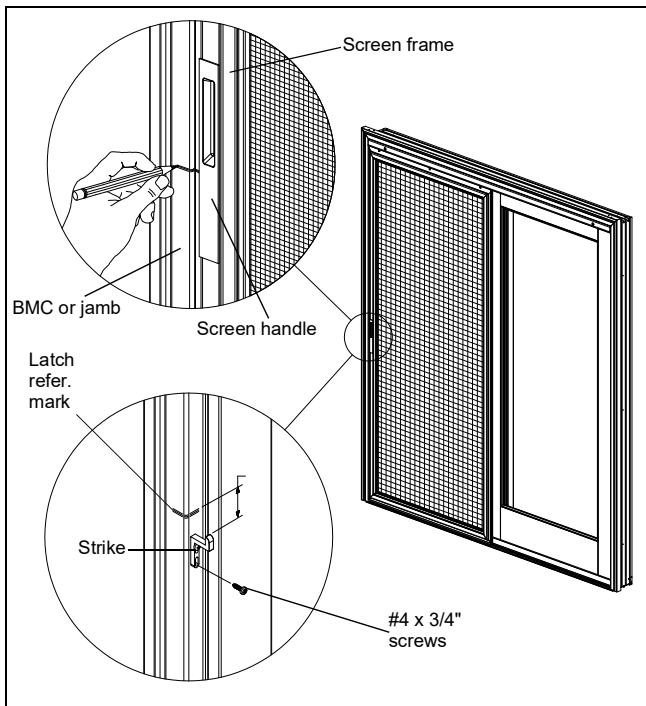


Figure 6

Remove Sliding Screen

1. To remove screen, simply remove screws attaching screen to roller bar and lift off guide or remove entire screen assembly out by lifting the bottom rail guide off the sill screen guide and pull the entire assembly out of the head jamb track (reverse of "Installing the Screen Panel" section). See figure 7.

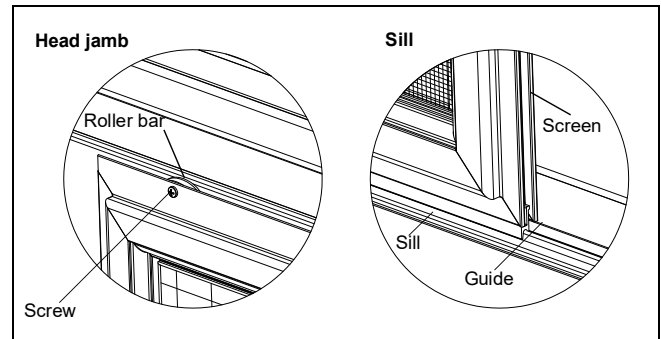


Figure 7

CUT OUT TEMPLATE

