

Coastline Storefront Windows

Unit Features.....	1
Minimum and Maximum Guidelines	3
Storefront 4 11/16" Section Details	4
Storefront 6 5/8" Section Details	6
Storefront 7 5/8" Section Details	8

Unit Features

Product Name: Coastline Storefront 4 11/16" Frame IZ4, Coastline Storefront 6 5/8" Frame IZ4, Coastline Storefront 7 5/8" Frame IZ4

Abbreviation: COSF 4.6875 IZ4, COSF 6.625 IZ4, COSF 7.625 IZ4

Frame:

- Typical wall thickness
 - COSF 4.6875 IZ4: .094"
 - COSF 6.625 IZ4: .125"
 - COSF 7.625 IZ4: .125"
- Frame depth:
 - COSF 4.6875 IZ4: 4 11/16"
 - COSF 6.625 IZ4: 6 5/8"
 - COSF 7.625 IZ4, Non-Insulated Glass: 7 7/16"
 - COSF 7.625 IZ4, Insulated Glass: 8 1/8"
- Optional Color Finishes:
 - White
 - Bronze
 - Anodized
 - Walnut
 - Hazelnut
 - Red Cinnamon
 - English Oak
 - White Kynar
 - Bronze Kynar
 - Black Kynar
 - Custom Colors available

Divided Lite Options:

- Simulated Divided Lites and GBG:
 - Not available
- Authentic Divided Lites:
 - COSF 4.6875 IZ4 - Vertical and/or horizontal
 - COSF 6.625 IZ4 - Horizontal only
 - COSF 7.625 IZ4 - Not available

Style

- Rectangular

Glass and Glazing:

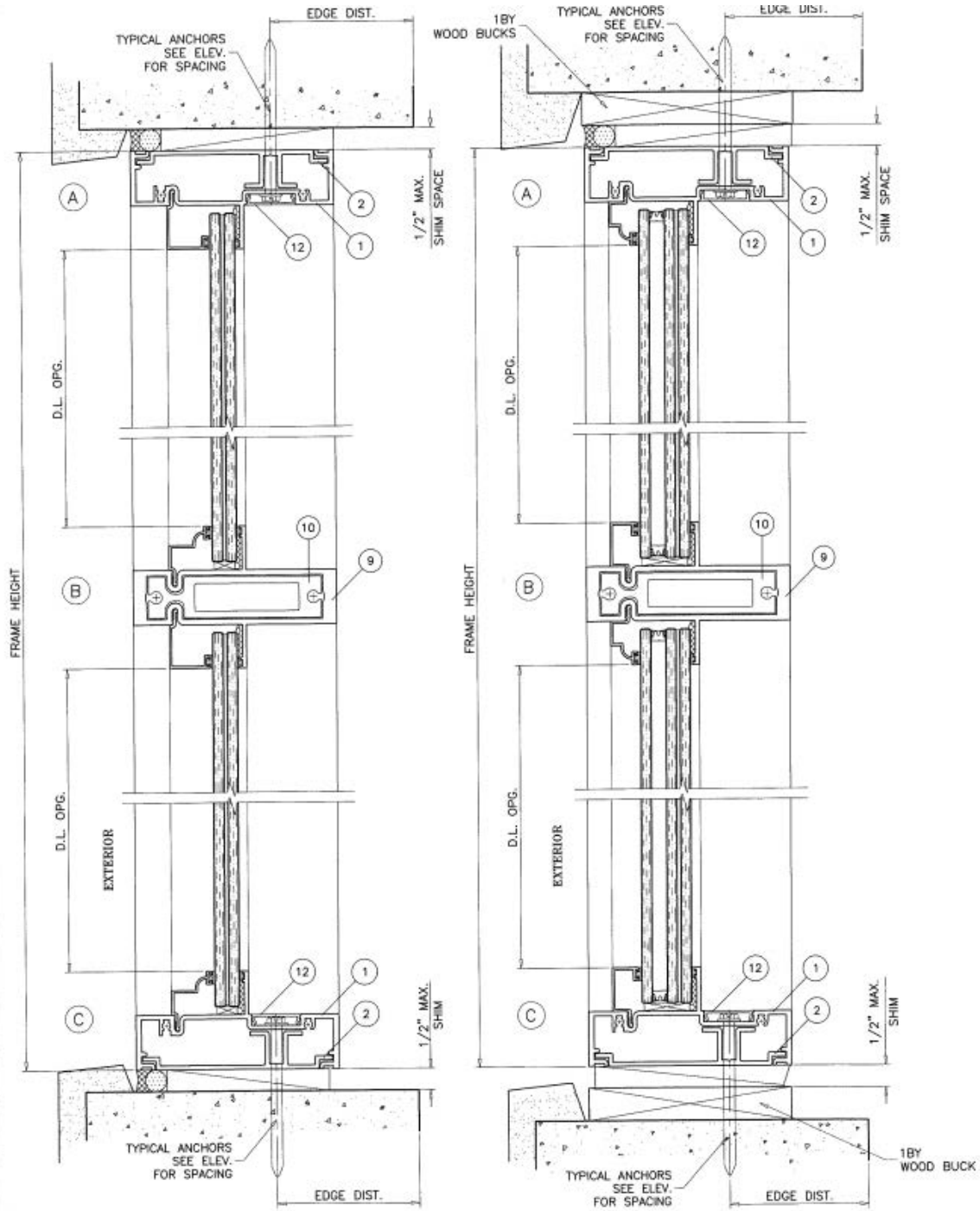
- Glass Options:
 - All Coastline Storefront Windows:
 - 9/16" Laminated PVB or SGP Impact Glass
 - 1 1/4" Insulated Laminated PVB or SGP Impact Glass
 - Coastline Storefront 4 11/16" only:
 - 7/16" Laminated PVB Impact Glass
 - 1" Insulated Laminated Decorative PVB Impact Glass
- Glass Tint Options
 - Clear
 - Grey Tint
 - Bronze Tint
 - Green Tint
 - Azurelite Blue Tint
 - LoE 366 Clear
 - LoE 366 Grey
 - LoE 366 Bronze
 - LoE 366/ I-89
 - Solarban 70 Clear
 - Solarban 70 Grey
 - Solarban 70 Bronze
- Options:
 - White Interlayer
 - Pat 62 Obscure
 - Rain
 - Glue-Chip
 - Double Tint
 - Neat

Minimum and Maximum Guidelines

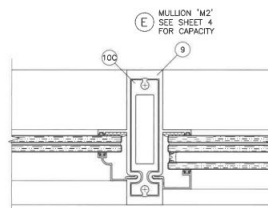
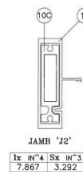
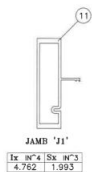
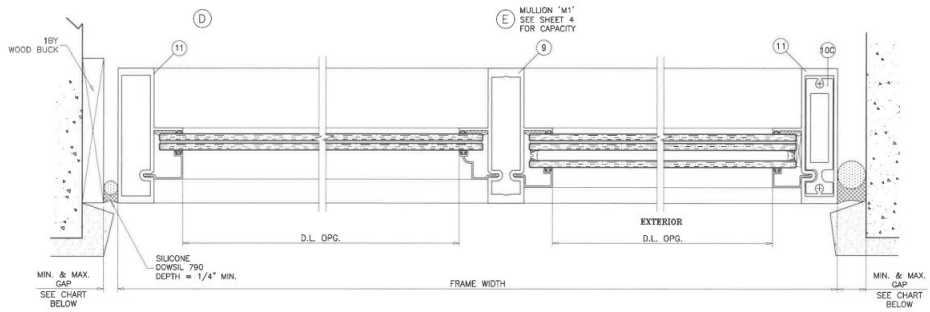
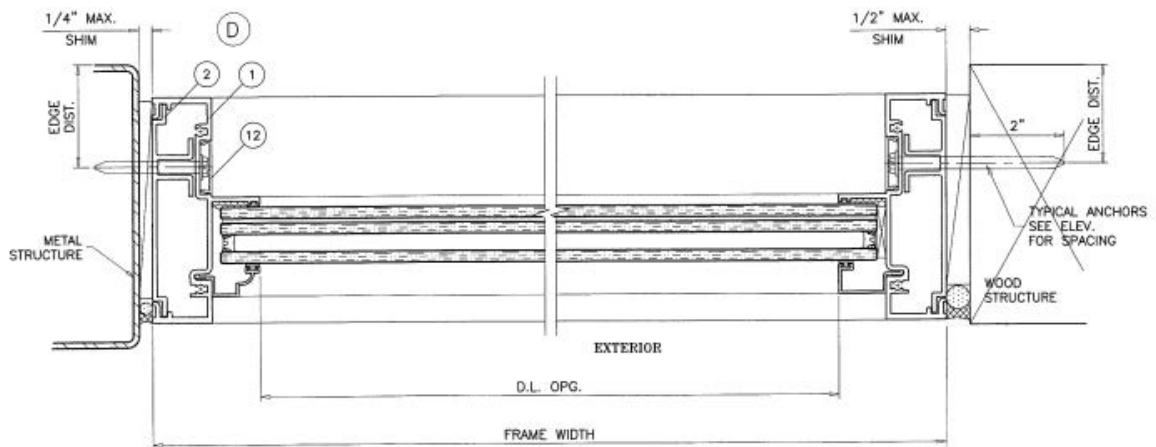
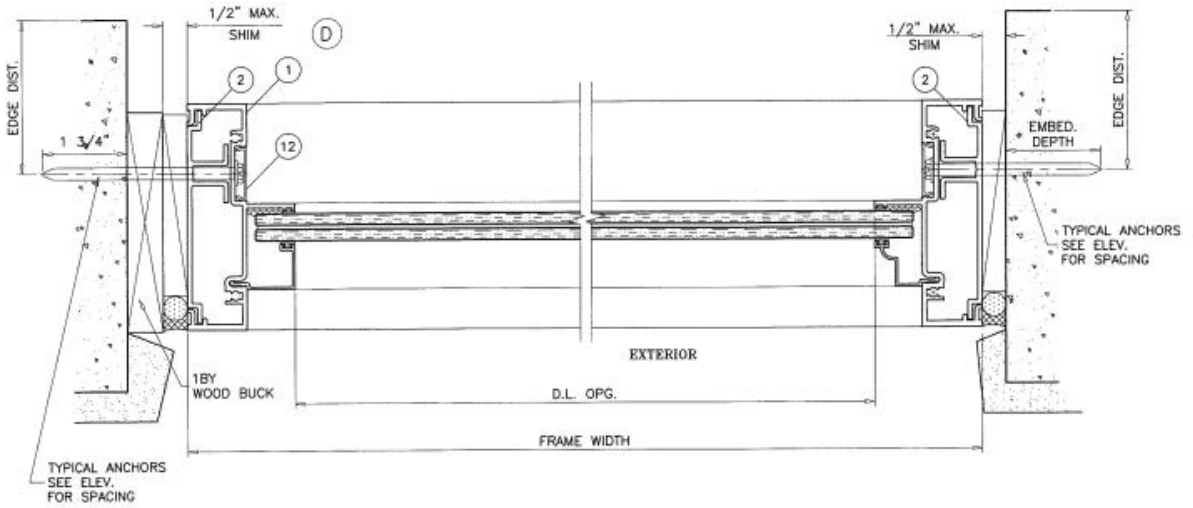
PRODUCT ABBREVIATION	MAX FRAME AREA (sq ft)	MAX FRAME WIDTH (in)	MAX FRAME HEIGHT (in)	MAX DESIGN PRESSURE (PSF)	OPERATION
COSF 4.6875 IZ4	44*	72*	132	+100 / -110	FIXED
COSF 6.625 IZ4	72	156	156	+70 / -80	FIXED
COSF 7.625 IZ4	48	156	156	+70 / -80	FIXED
*On-center mullion measurement. Total assembly width cannot exceed 24 feet.					

Max Area Cannot Be Exceeded, Reference Florida Product Approvals For Actual Design Pressure

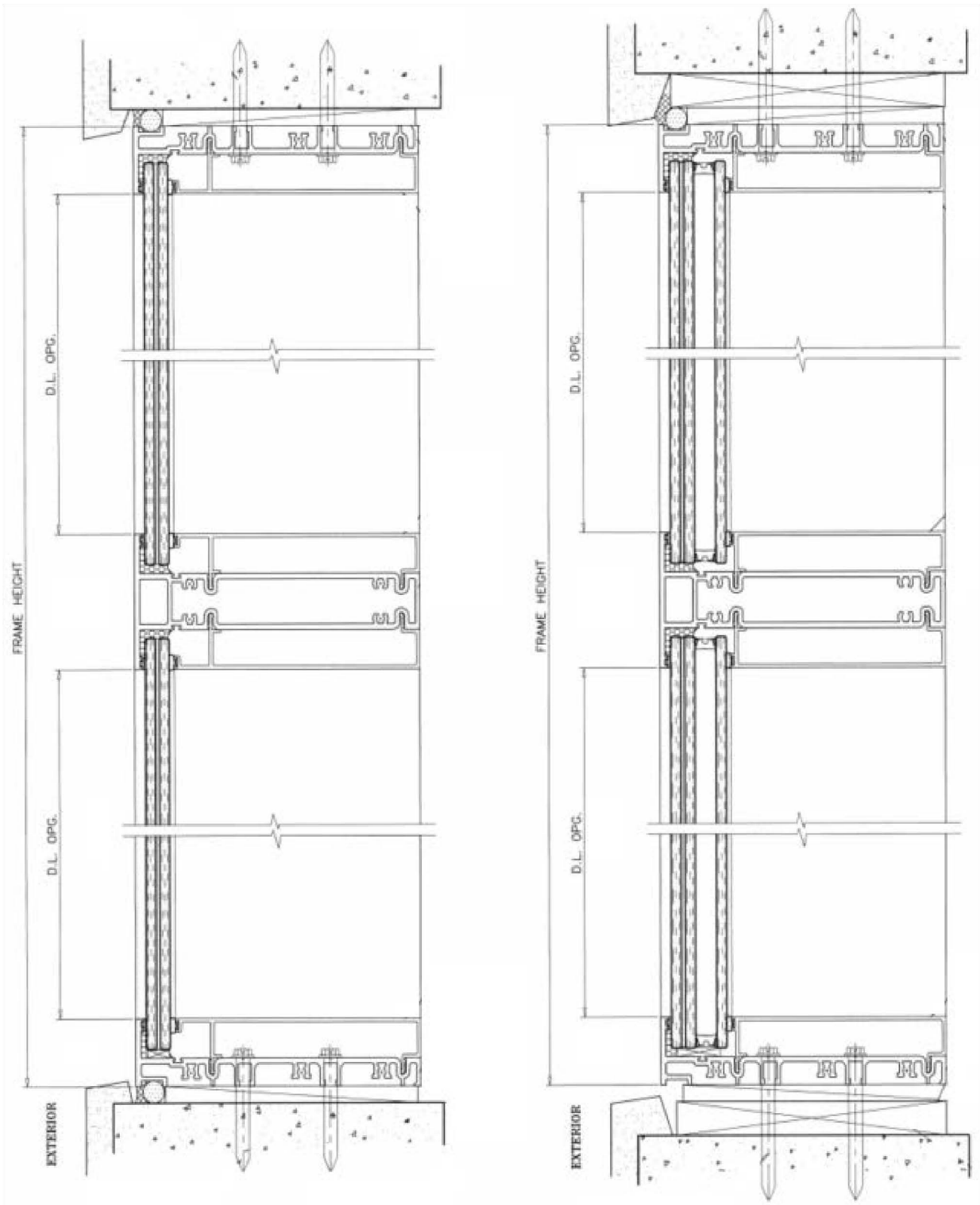
Section Details Storefront 4 11/16"



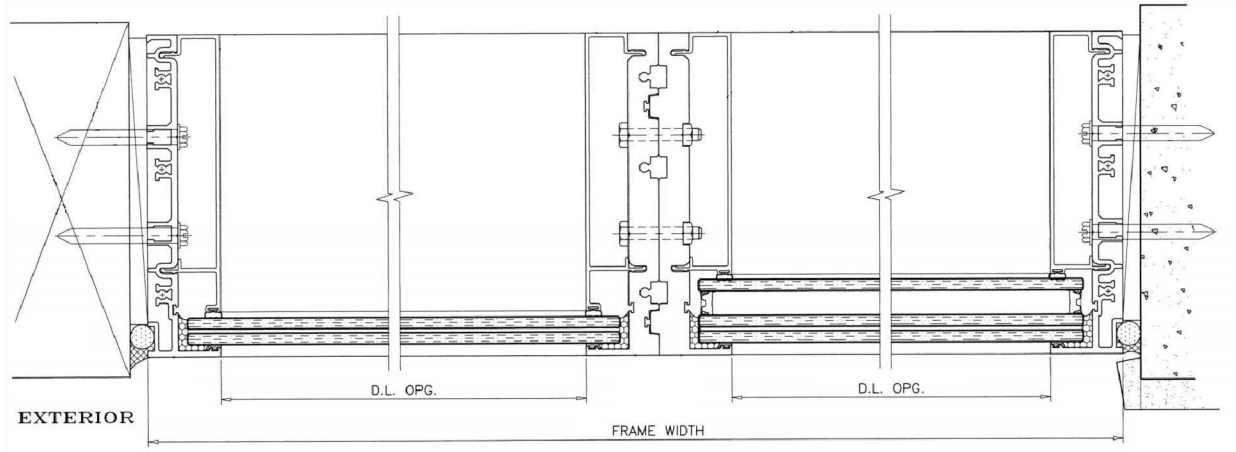
Section Details Storefront 4 11/16"



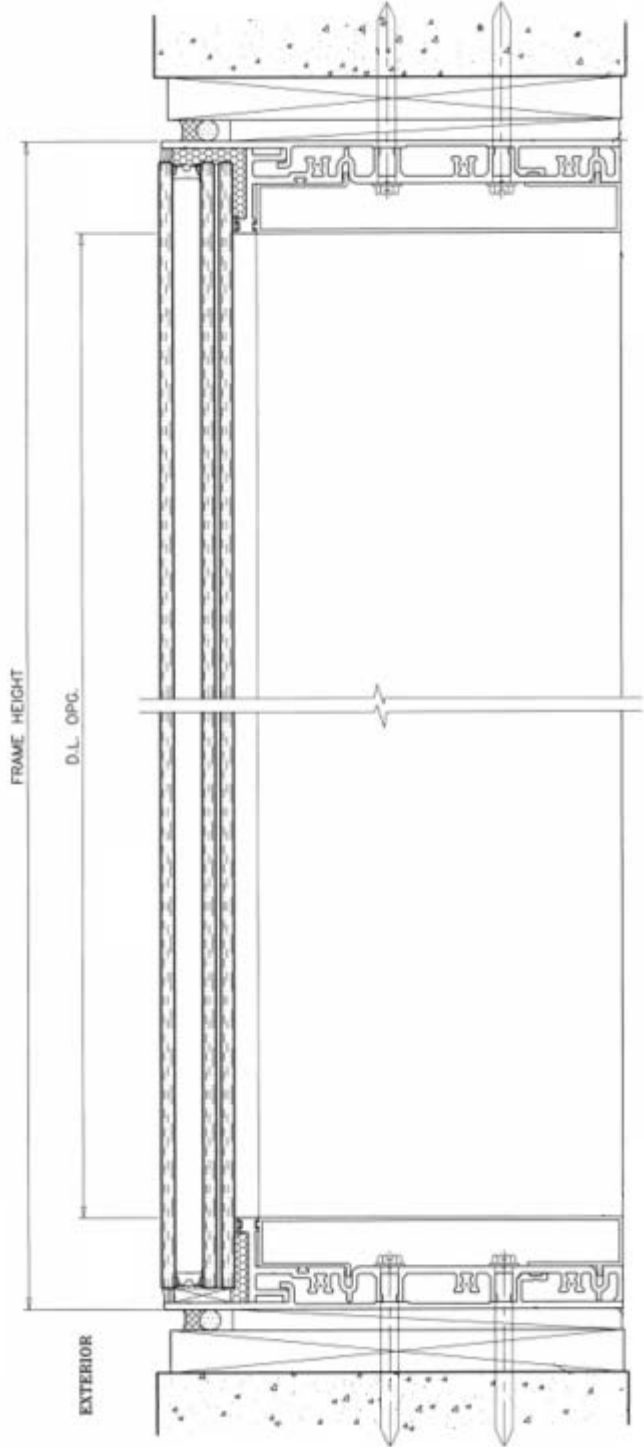
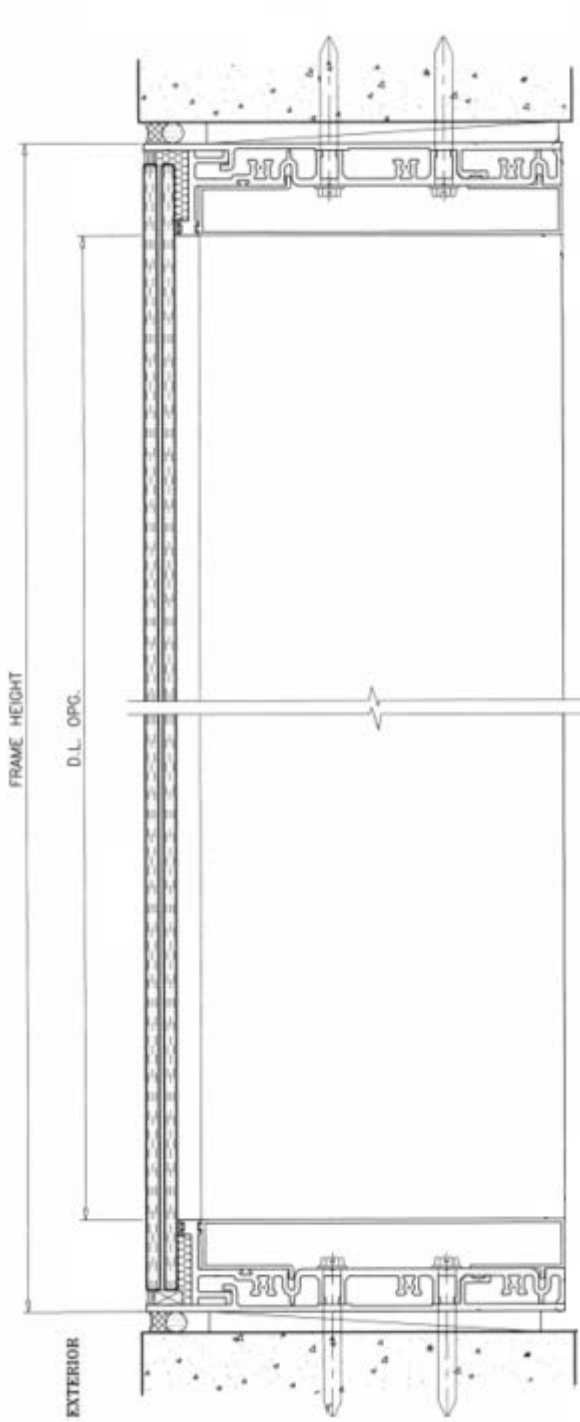
Section Details Storefront 6 5/8"



Section Details Storefront 6 5/8"



Section Details Storefront 7 5/8"



Section Details Storefront 7 5/8"

