

Coastline Picture and Specialty Shape Windows

Unit Features.....	1
Minimum and Maximum Guidelines	3
Configurations	3
Series 300 Storm Safe Section Details	4
Series 300 Storm Safe Parts Details.....	6
Series 300 IG Section Details	8
Series 300 IG Parts Details.....	10

Unit Features

Product Name: Coastline Picture, Coastline Picture Narrow Frame, Coastline Specialty Shapes, Coastline Specialty Shapes Narrow Frame

Product Series:

- 300 STORMSAFE
- 300 IG

Abbreviation: CODGNF RECT, CODG RECT, CODGNF POLY, CODG POLY, CODGNF RT, CODG RT

Frame Material and Construction:

STORMSAFE: Max Frame Area 54 sq. ft.. Up to 88" Frame Width. Up to 150" Frame Height. Up to DP +90/-130.

IG: Max Frame Area 44 sq. ft.. Up to 78" Frame Width. Up to 150" Frame Height. Up to DP +90/-130.

Frame:

- Frame is .078 extruded aluminum
- Frame depth is 3"
- Optional Color Finishes:
 - Coastline Storm Safe White
 - Coastline Storm Safe Bronze
 - Coastline Anodized
 - Coastline Walnut
 - Coastline Hazelnut
 - Coastline Red Cinnamon
 - Coastline Honey Cherry
 - Coastline English Oak
 - Coastline White Kynar
 - Coastline Bronze Kynar
 - Coastline Black Kynar
 - Custom Colors available

Style:

- Rectangular Options: Picture Window, Fixed Casement
- Architectural Options: Fan, Half Circle, Arch, Eyebrow, Triangle, Trapezoid, Pentoid, Hexagon, Octagon, Circle, Oval, Half Fan, Quarter Circle, Half Arch, Half Eyebrow
- Shapes only available on 1000 series:
 - Fan
 - Half Circle
 - Arch
 - Eyebrow
 - Triangle
 - Trapezoid
 - Pentoid
 - Hexagon
 - Octagon
 - Circle
 - Oval
 - Half Fan
 - Quarter Circle
 - Half Arch
- Half Eyebrow

Muntin Options:

- Colonial grids available'
- Ogee/Flat
- Flat/Flat
- GBG

Glass and Glazing:

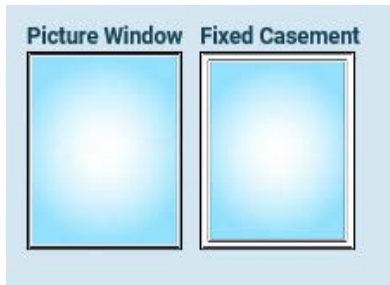
- Glass Options:
 - 5/16" Laminated PVB
 - 5/16" Laminated SGP
 - 7/16" Laminated PVB
 - 7/16" Laminated SGP
 - 9/16" Laminated SGP
 - 11/16" Insulated Laminated SGP
 - 1-1/8" Insulated Laminated PVB
 - 1-1/8" Insulated Laminated SGP
- Glass Tint Options
 - Clear
 - Grey Tint
 - Bronze Tint
 - Green Tint
 - Azurelite Blue Tint
 - LoE 366 Clear
 - LoE 366 Grey
 - LoE 366 Bronze
 - LoE 366/ I-89
 - Solarban 70 Clear
 - Solarban 70 Grey
 - Solarban 70 Bronze
- Options:
 - White Innerlayer
 - Pat 62 Obscure
 - Rain
 - Glue-Chip
 - Ogee Glass Stops
 - Thin Ribbed
 - Double Tint
 - Neat

Minimum and Maximum Guidelines

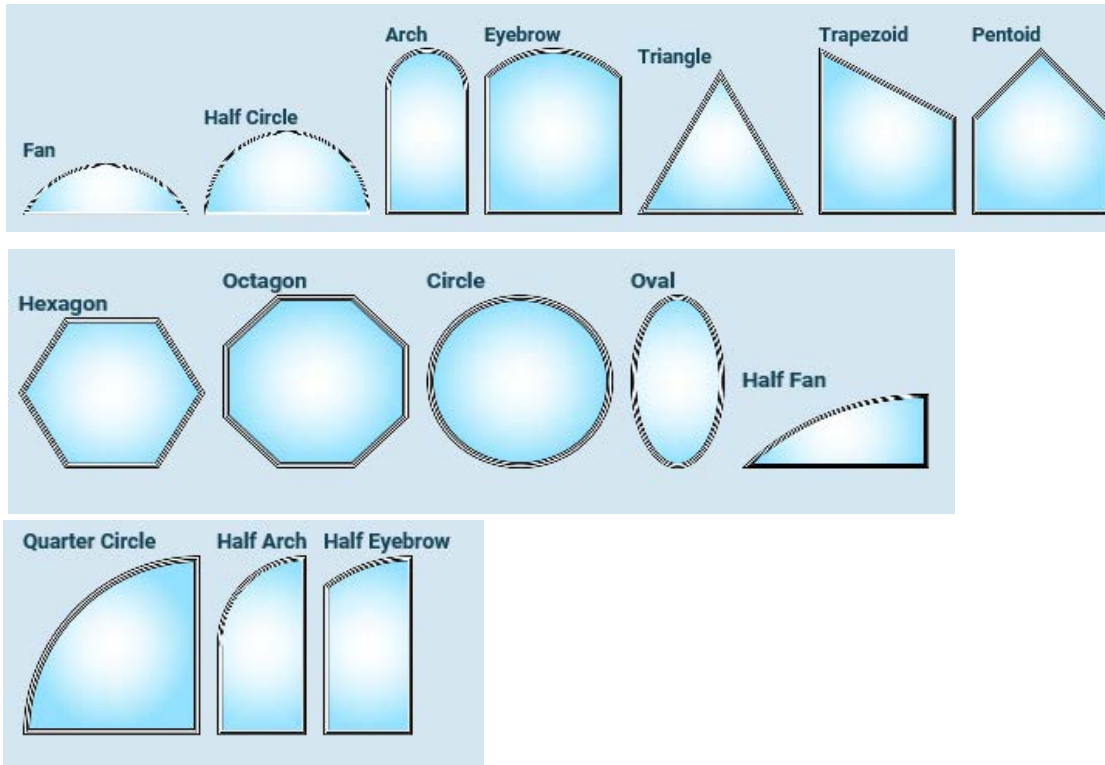
PRODUCT ABBREVIATION	MAX AREA (sq. ft.)	MAX WIDTH (in.)	MAX HEIGHT (in.)	MAX DP (PSF)	OPERATION
CODGNF RECT	54	88	150	+ 90 / -130	Fixed
CODG RECT	72	72	156	+ 100 / -110	Fixed
CODG RT	72	72	156	+ 100 / -110	Fixed
CODG POLY	72	72	156	+ 100 / -110	Fixed
CODGNF RT	54	88	150	+ 90 / -130	Fixed
CODGNF POLY	54	88	150 </td <td>+ 90 / -130</td> <td>Fixed</td>	+ 90 / -130	Fixed

Configurations

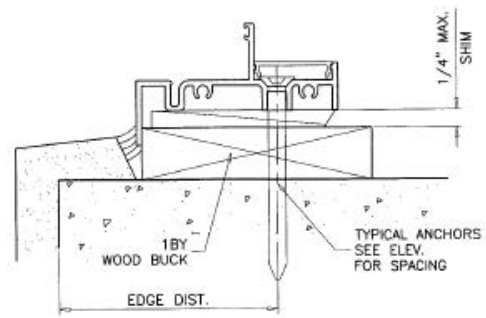
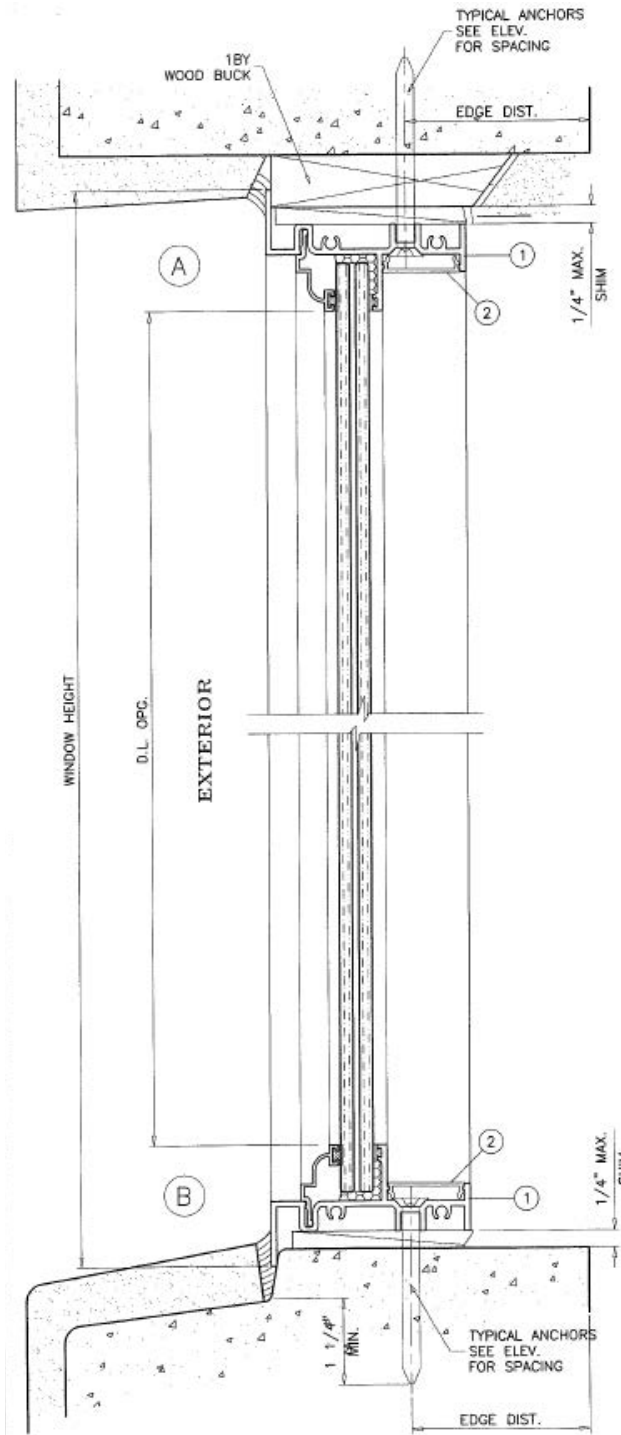
Rectangular Fixed Windows



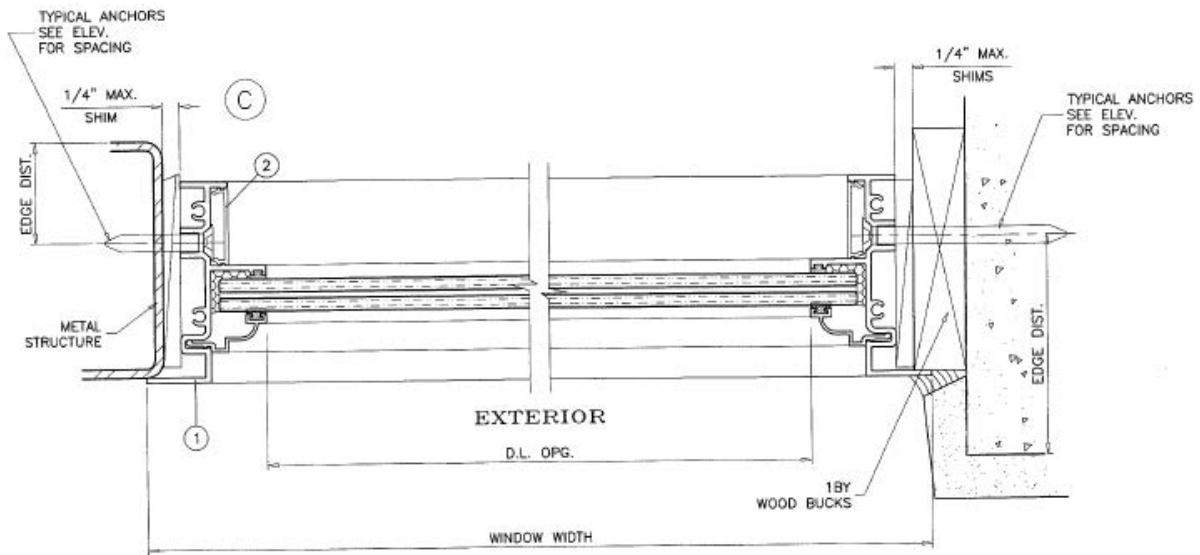
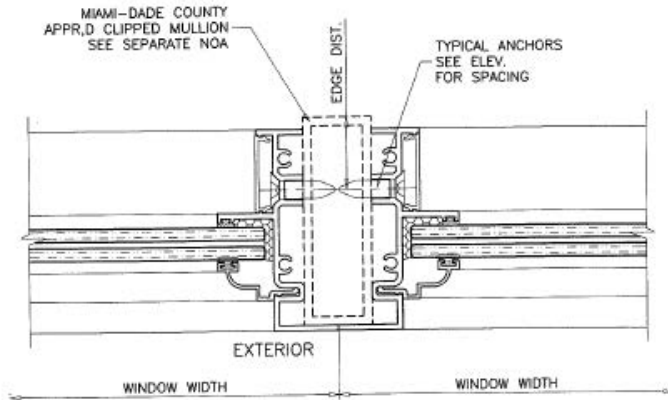
Architectural Fixed Windows



Section Details Series 300 Storm Safe



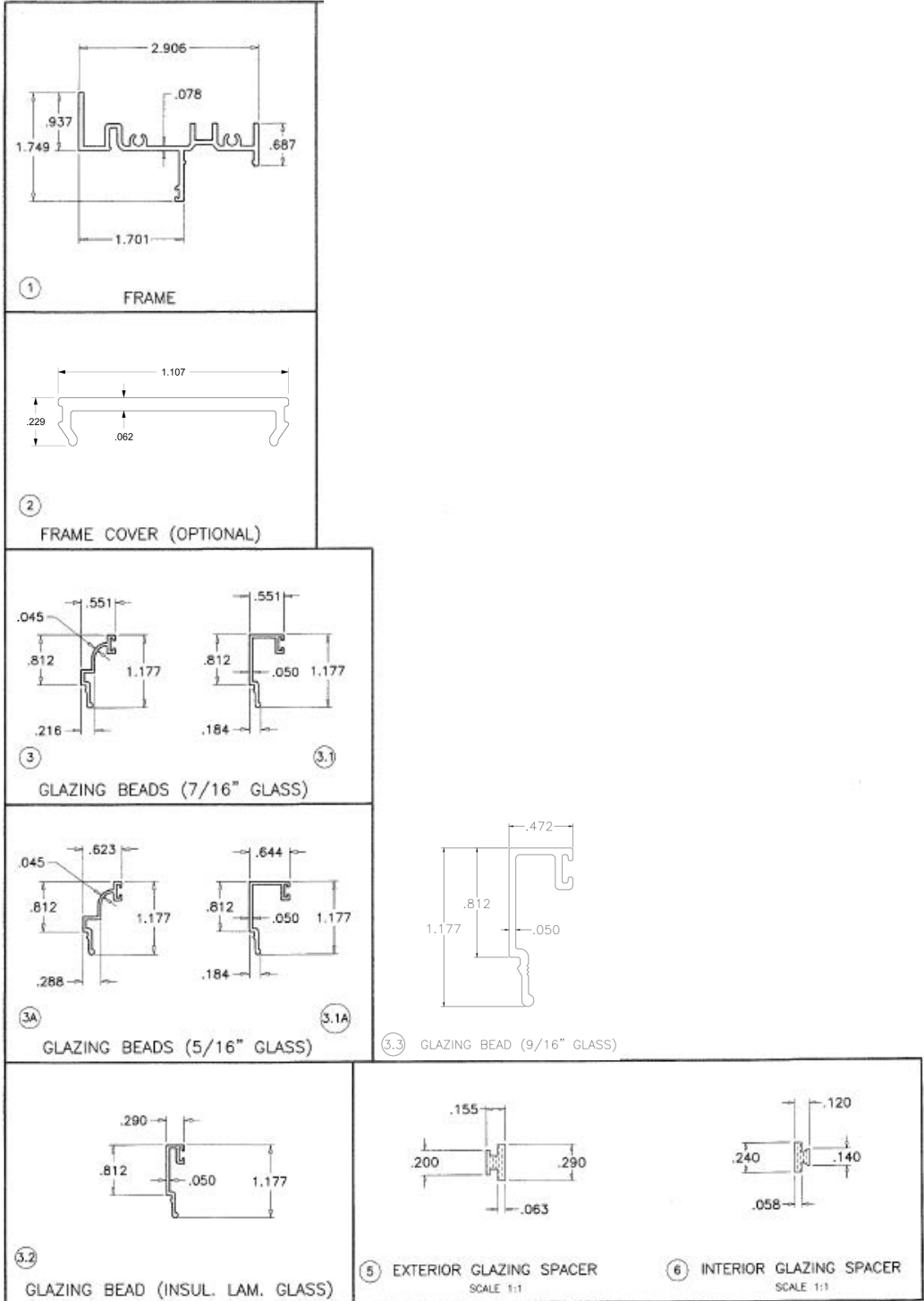
Section Details Series 300 Storm Safe



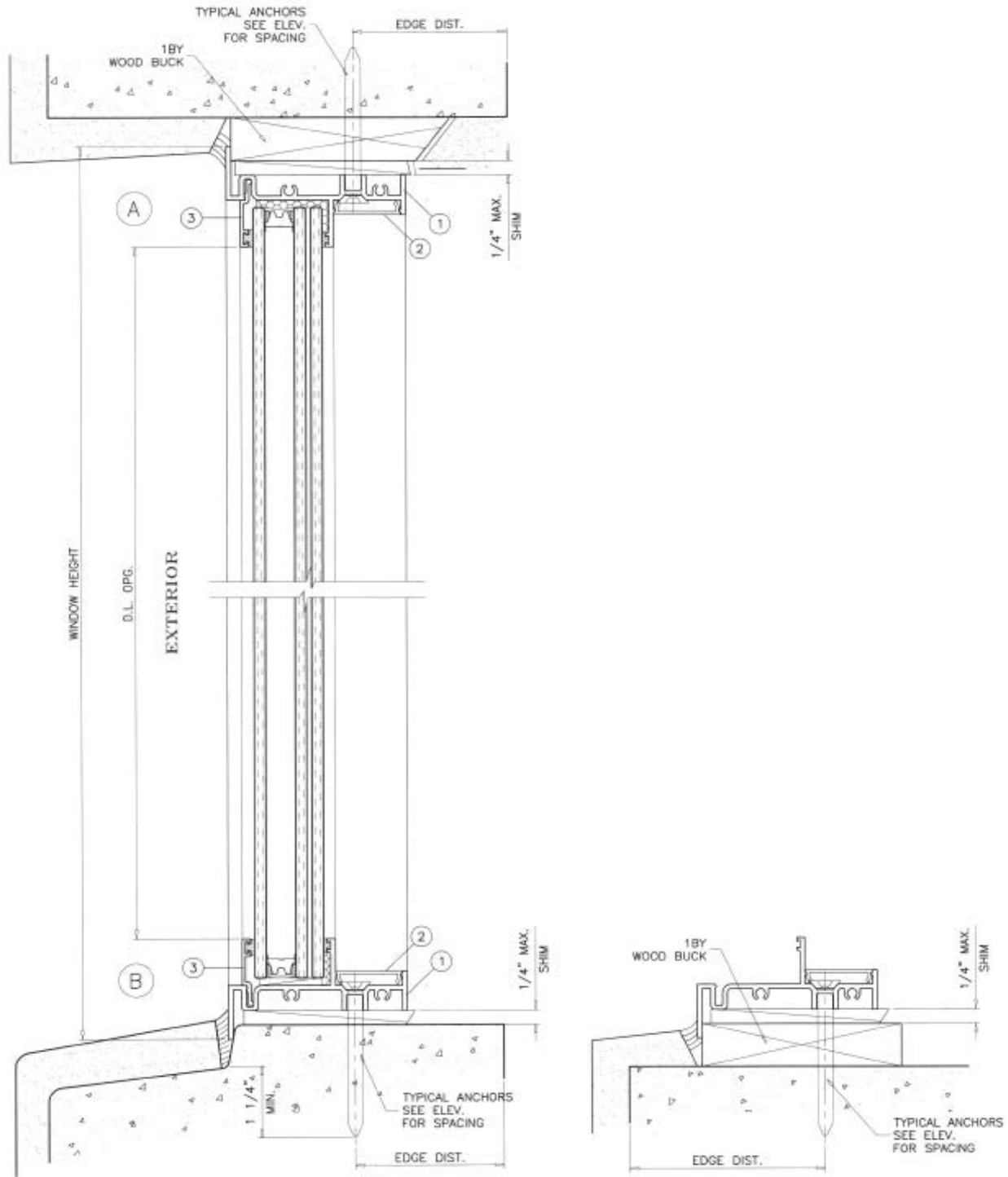
Parts Details Series 300 Storm Safe

Item Number	Part Number	Required	Description
1	SIW301	4	Window Frame
2	SIW306	4	Frame Cover (Optional)
3	SIW108	4	Glazing Bead (7/16" Glass)
3.1	SIW127	4	Alternate Glazing Bead (7/16" Glass)
3A	SIW112	4	Glazing Bead (5/16" Glass)
3.1A	SIW129	4	Alternate Glazing Bead (5/16" Glass)
3.2	SIW117	4	Glazing Bead (Insulated Laminated Glass)
3.3	SIW144	4	Glazing Bead (9/16" Glass)
4	#10 x 1 1/2"	2/Corner	Assembly Screws
5	5531	As Required	Exterior Glazing Spacer, Durometer 70 +/- 5 Shore A
6	5530	As Required	Interior Glazing Spacer, Durometer 70 +/- 5 Shore A
7	NA	2/Lite	Setting Block, Durometer 85 +/- 5 Shore A

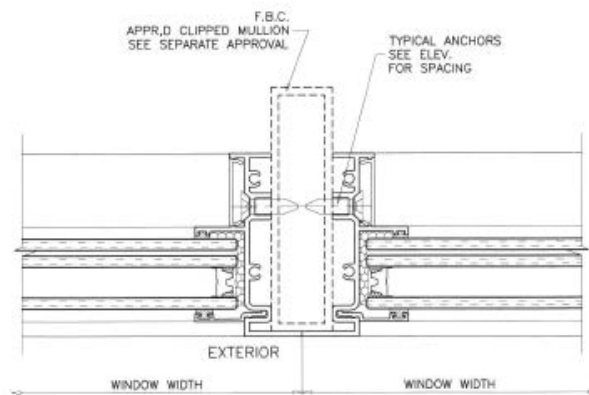
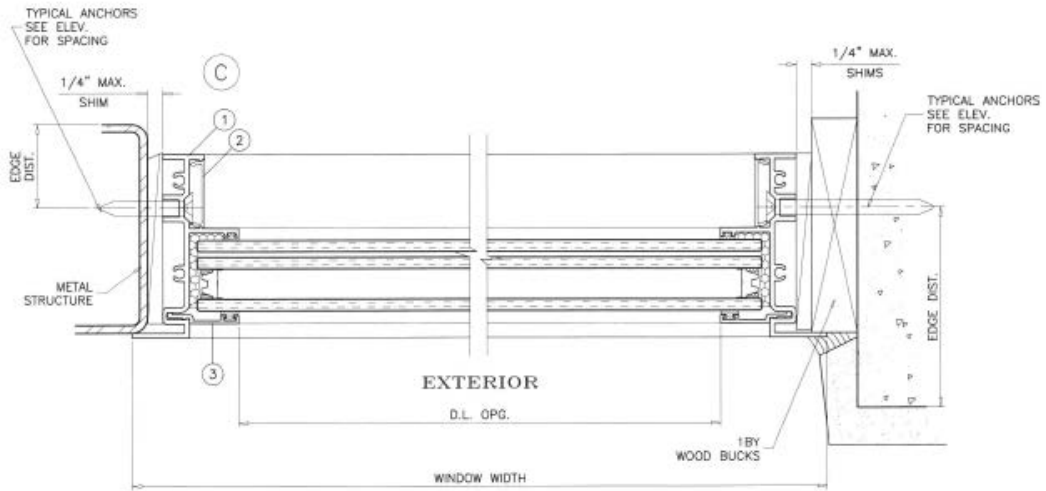
Parts Details Series 300 Storm Safe



Section Details Series 300 IG



Section Details Series 300 IG



Parts Details Series 300 IG

Item Number	Part Number	Required	Description
1	SIW305	4	Window Frame
2	SIW306	4	Frame Cover (Optional)
3	SIW143	4	Glazing Bead
4	#10 x 1 1/2"	2/Corner	Assembly Screws
5	5531	As Required	Exterior Glazing Spacer, Durometer 70 +/- 5 Shore A
6	5530	As Required	Interior Glazing Spacer, Durometer 70 +/- 5 Shore A
7	NA	2/Lite	Setting Block, Durometer 85 +/- 5 Shore A

Parts Details Series 300 IG

